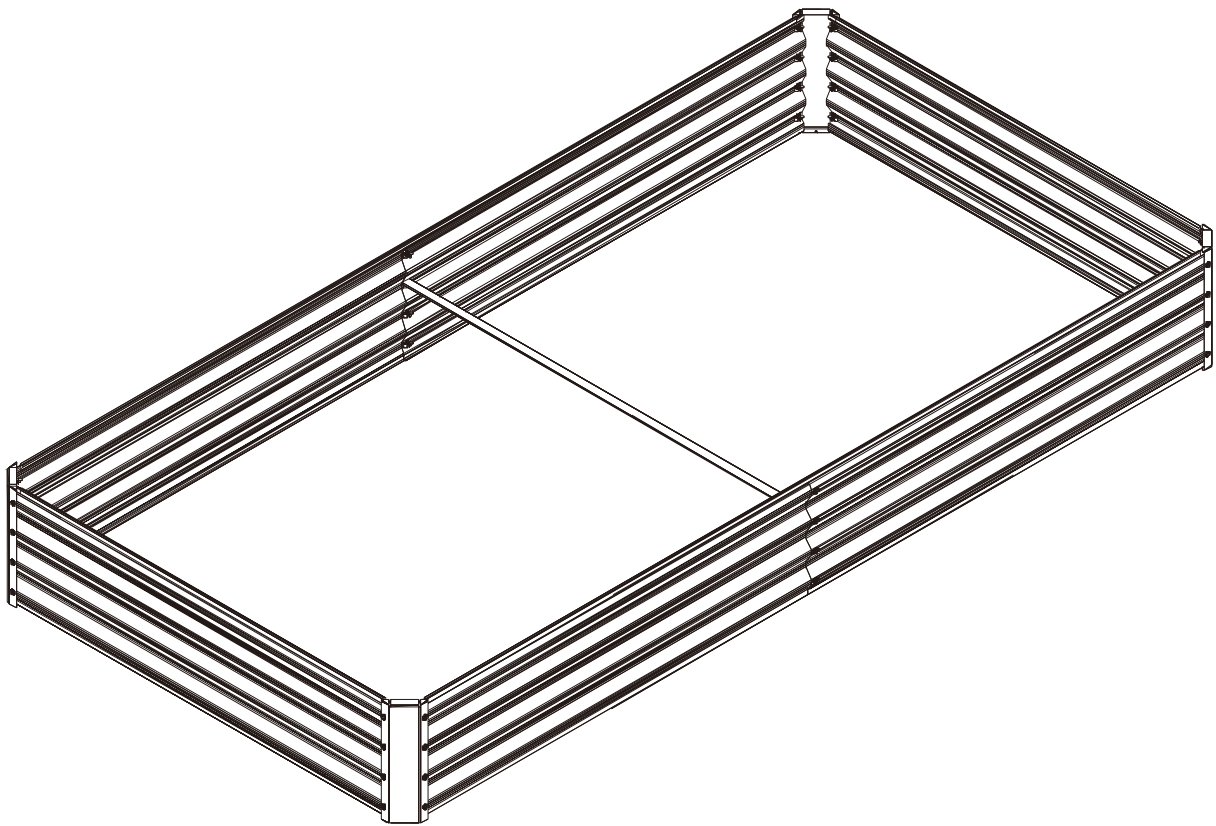


Metal Raised Garden Bed

ASSEMBLY MANUAL

SIZE: 8'x4'x1'



Rustproof & Anti-Corrosion Material

Upgraded galvanized steel which is rustproof and safe for soil and plants.

Premium Quality

The Reinforced steel and corner connectors promise the stable structure and long-lasting durability.

The wave design provide better pressure resistance.

Easy Setup

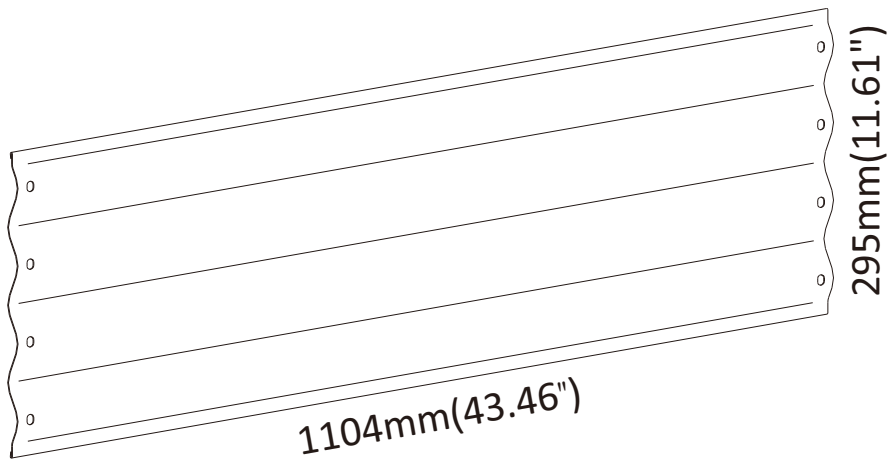
Simple structure without complex design, you just need connect the six steel sheets by screws which can be finished less than half an hour.

No Bottom Design

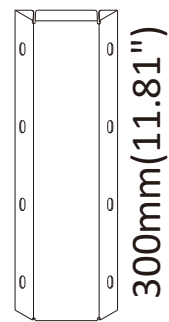
The open-bottom design helps release the excess water to deep soil and allows the roots of crops to grow freely.

Features and Benefits

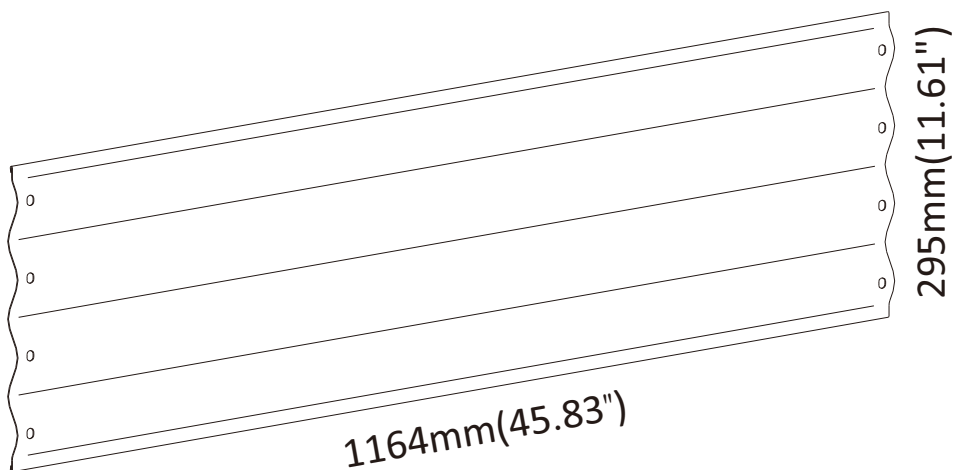
- Corrugated galvanized sheet elevated garden bed adds an industrial style decoration to your lawn.
- This elevated garden bed is ideal for displaying your herbs, flowering plants or some homegrown vegetables.
- Prevent soil erosion and weeds to ensure plant health.
- The raised pattern also prevents pests and reduces care and maintenance.
- Corrosion resistance, water saving and drought resistance, firm and durable without deformation, beautiful shape



Short Sheets B(X2)



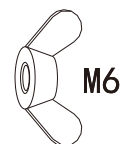
Corner Connectors A(X4)



Long Sheets C(X4)



Screws E(X40)



Wingnuts F(X38)



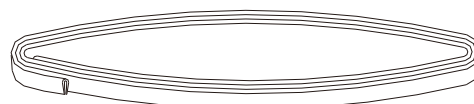
Stakes G(X4)



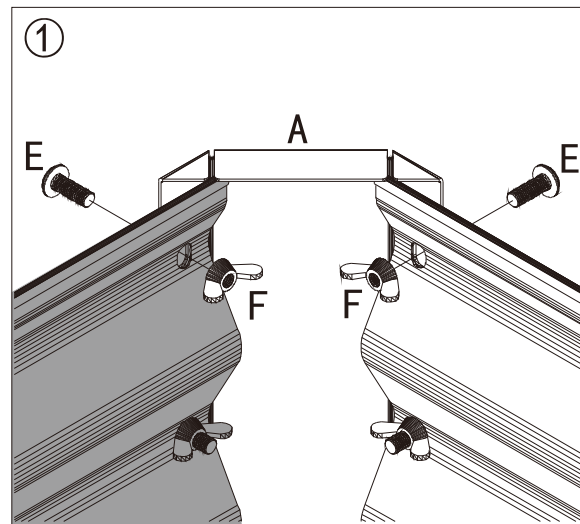
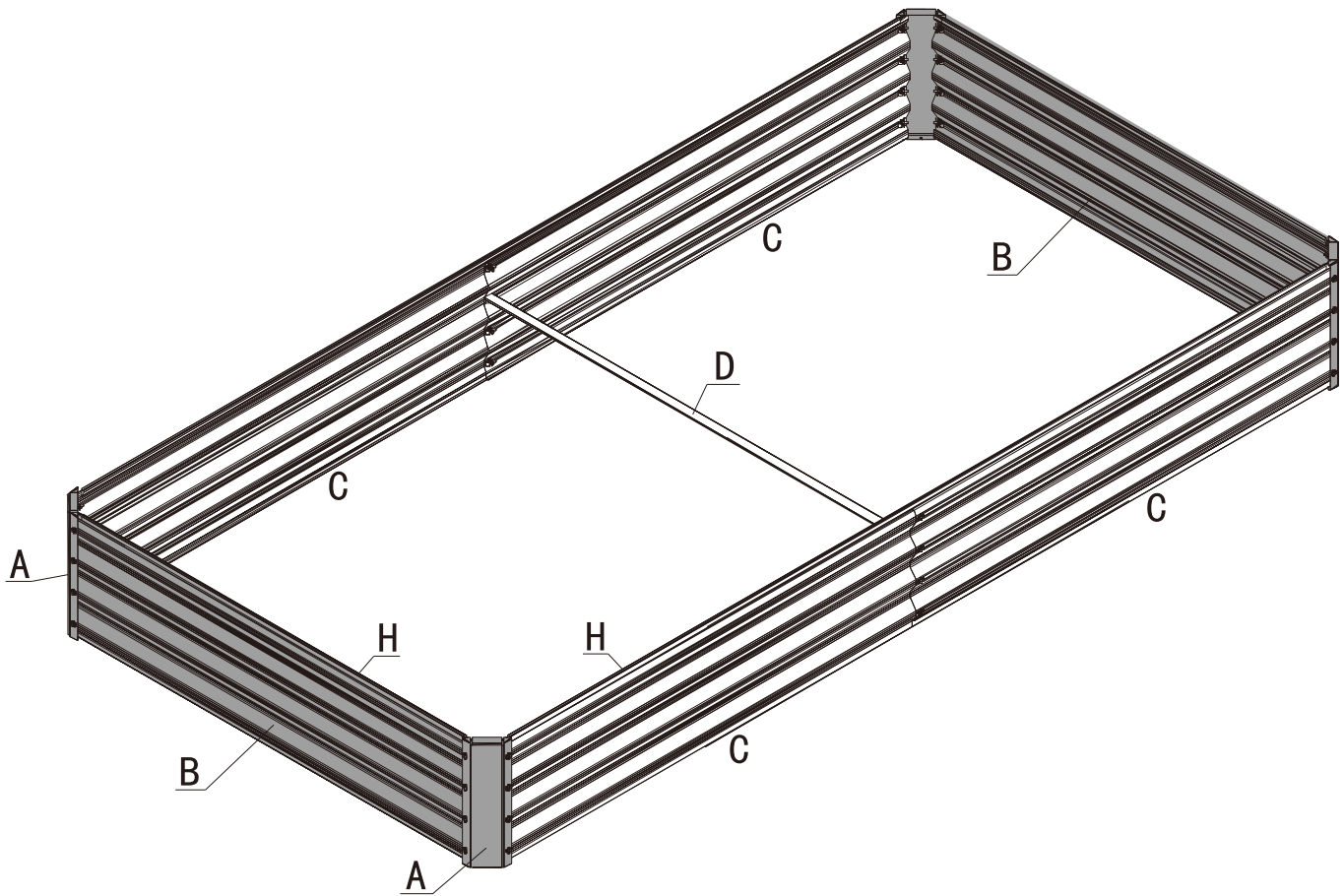
1190mm(46.85")

Bracing Rods D(X1)

94.49"x47.24"x11.81"

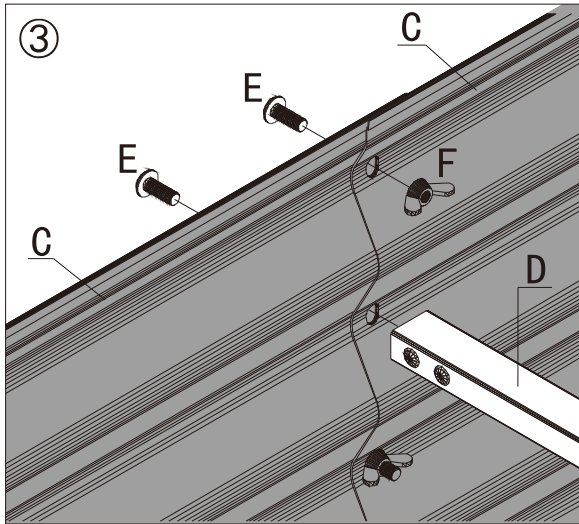
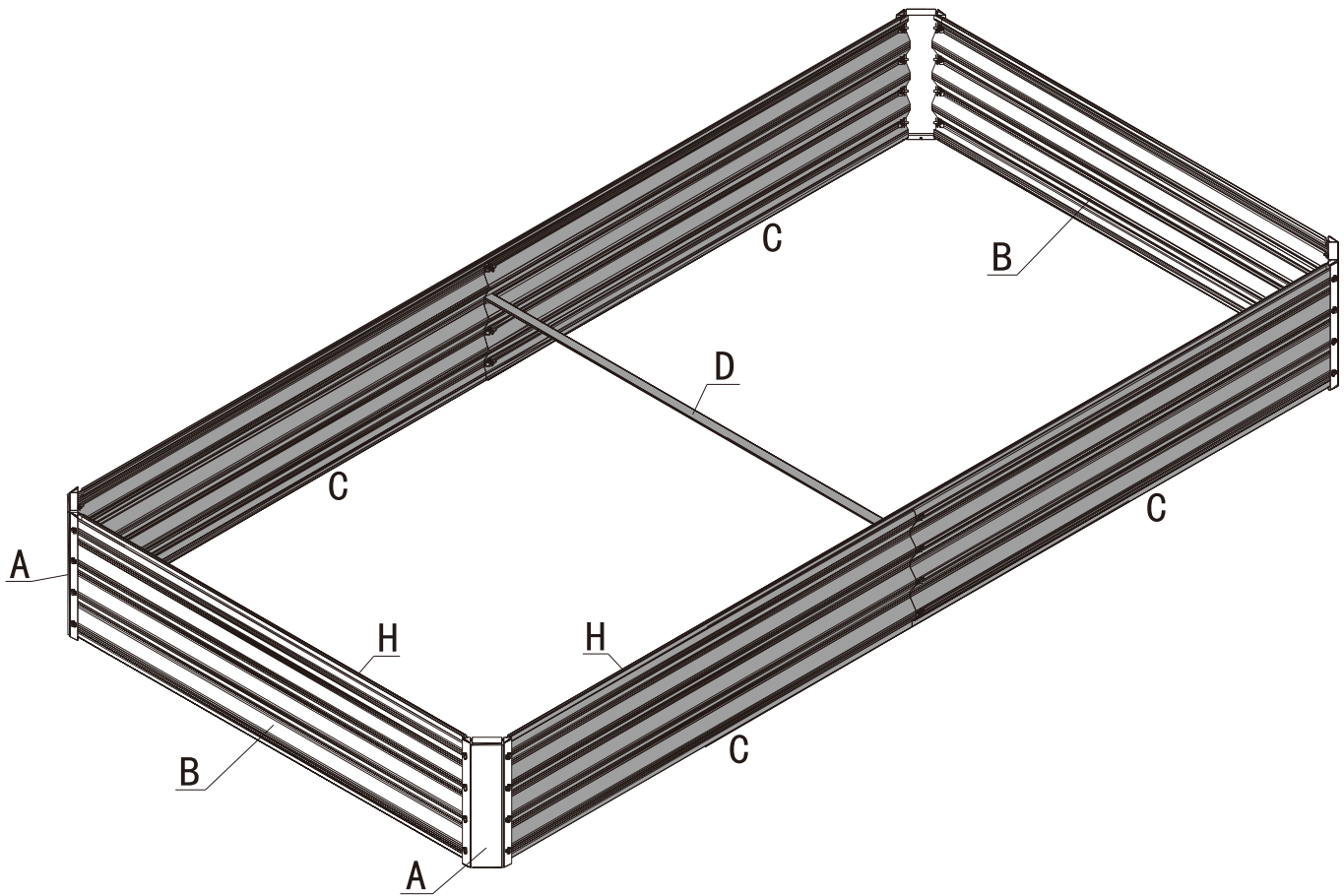


Rubber Strip H(X1)

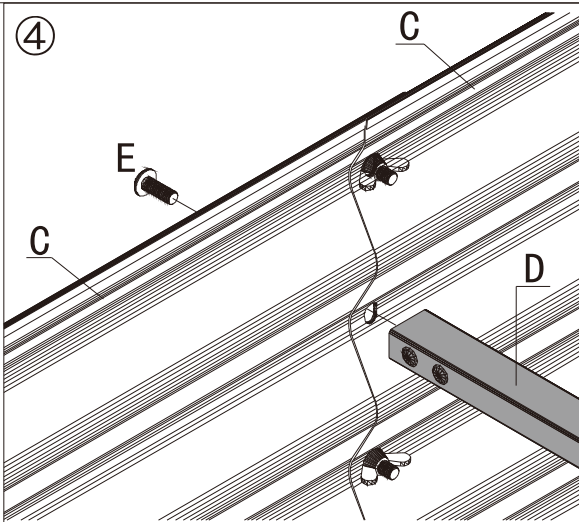


① Attach 2 Corner Connectors #A to 1 Short Sheets #B with 8 screws #E, and secure with 8 wingnuts #F .

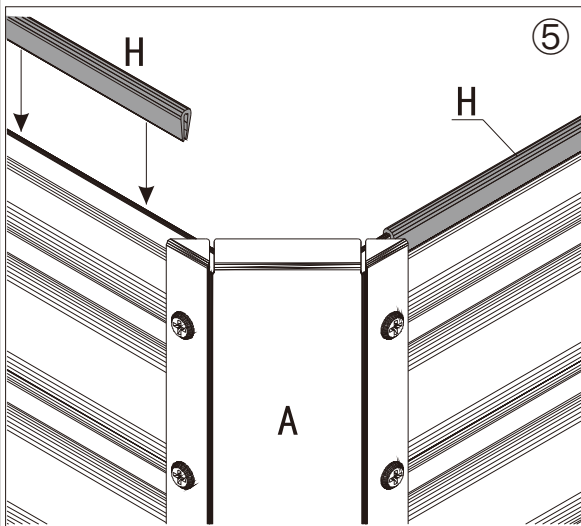
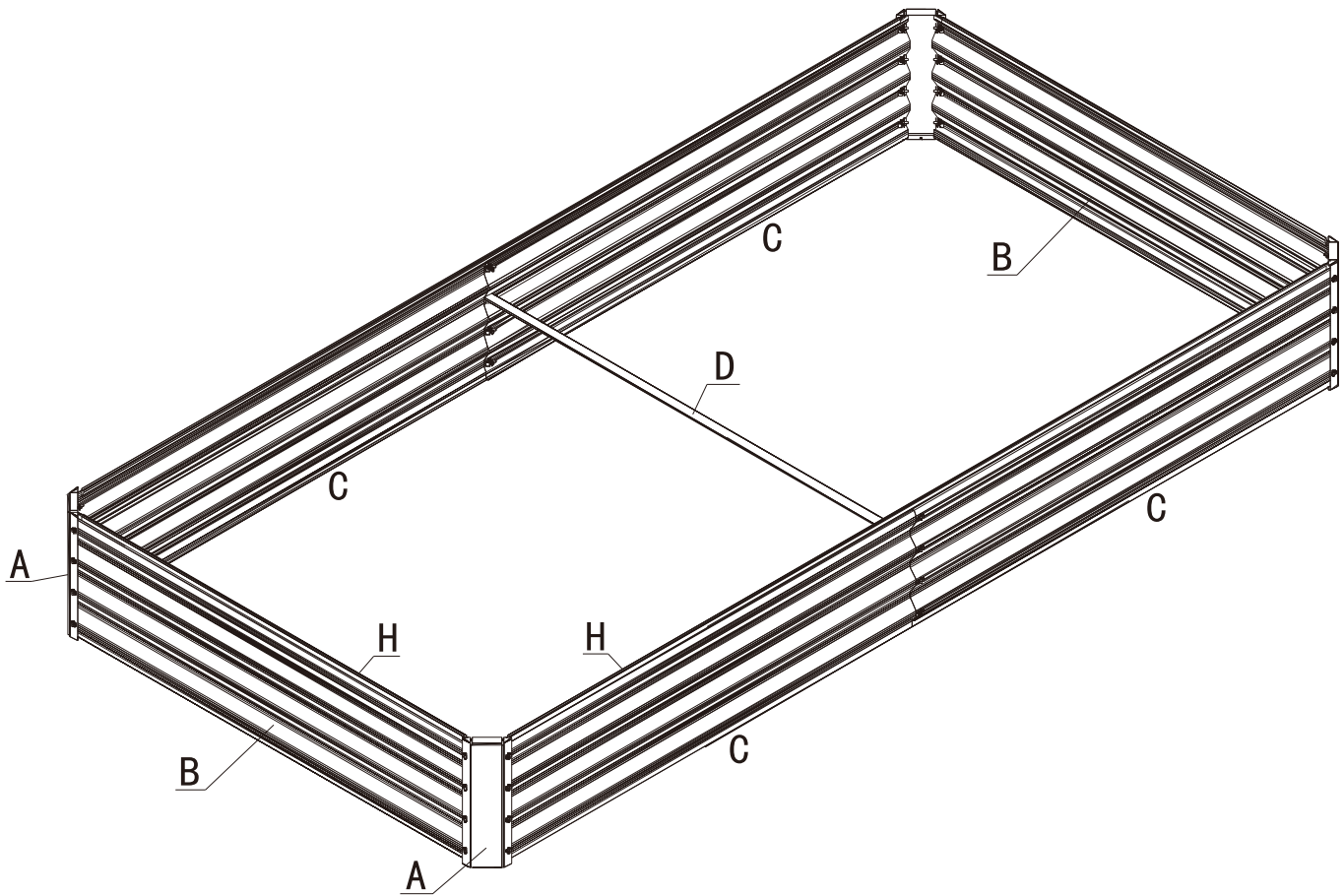
Repeat the above procedures to assemble another end.



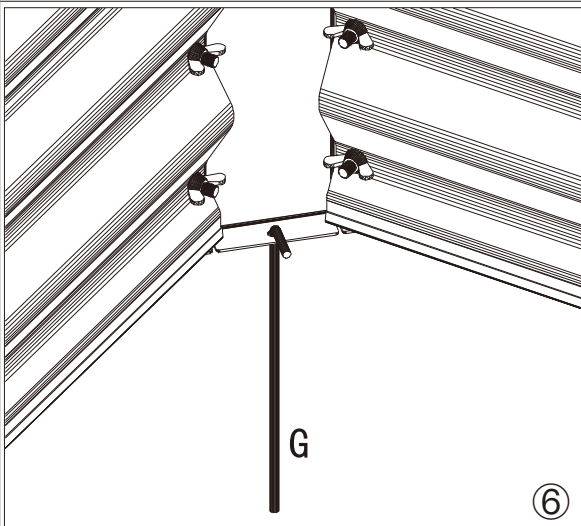
③ Overlap the 2 halves of the garden bed, then connect with 6 screws #E, and secure with 6 wingnuts #F. Leave the second set of connector holes empty.



④ Attach the Bracing Rod #D with 2 screws #E.



⑤ Cut the Rubber Strip #H into 4 pieces equal to the length/width of the garden bed then place them on the top edges.



⑥ Secure the Corner Connectors with 4 stakes #G, 1 stake per Corner Connector.