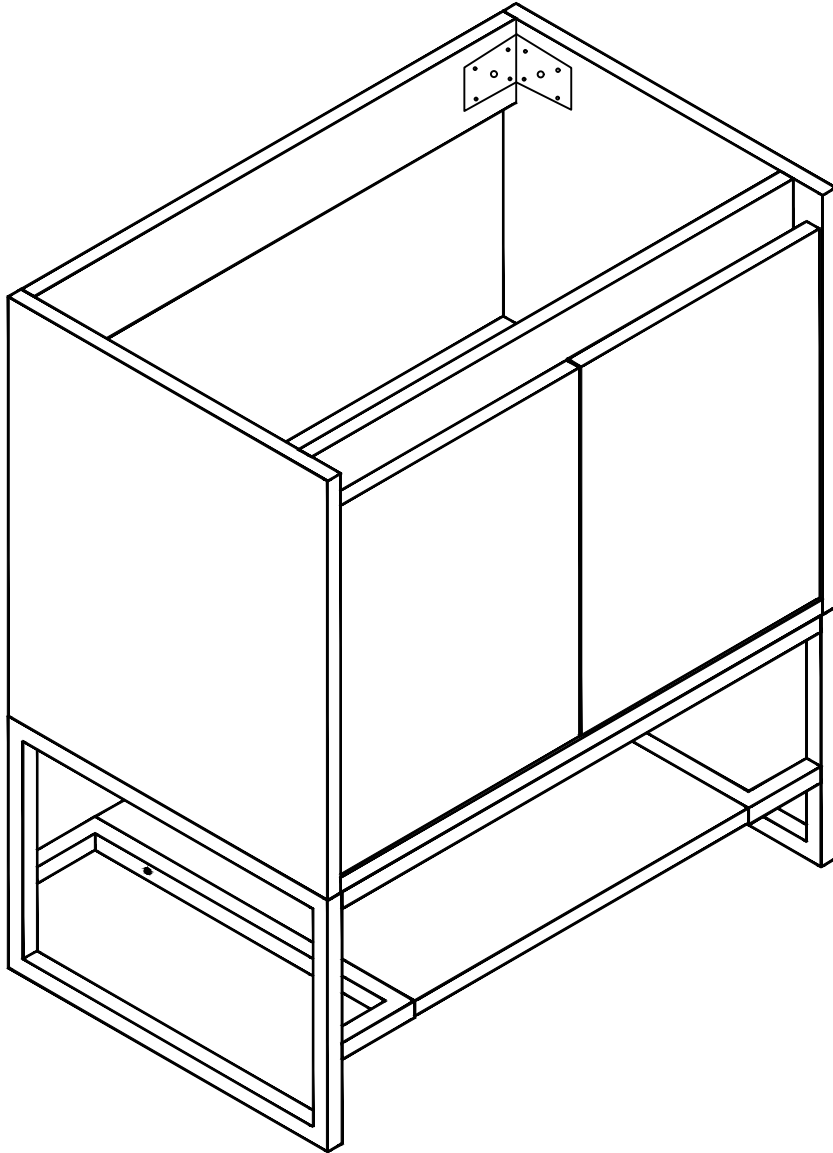


B02

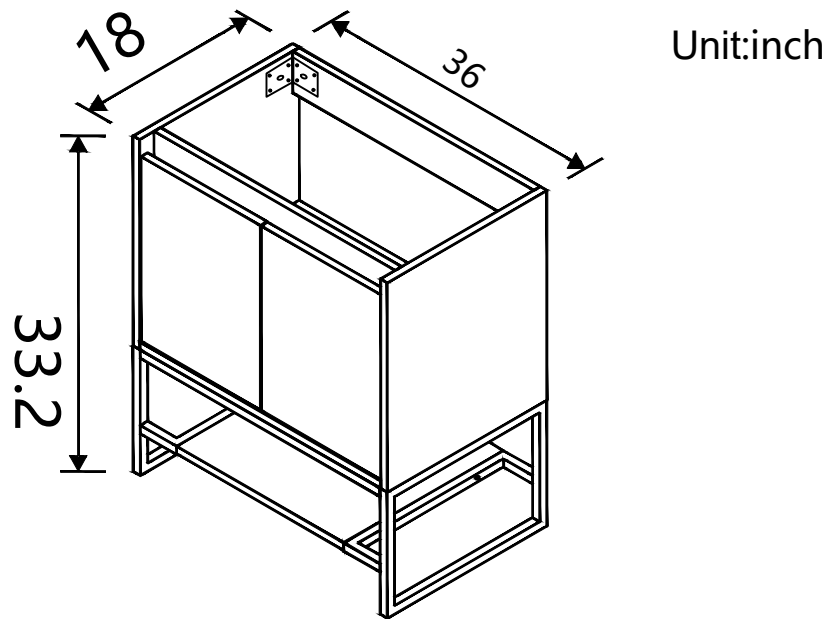


THKFBV027

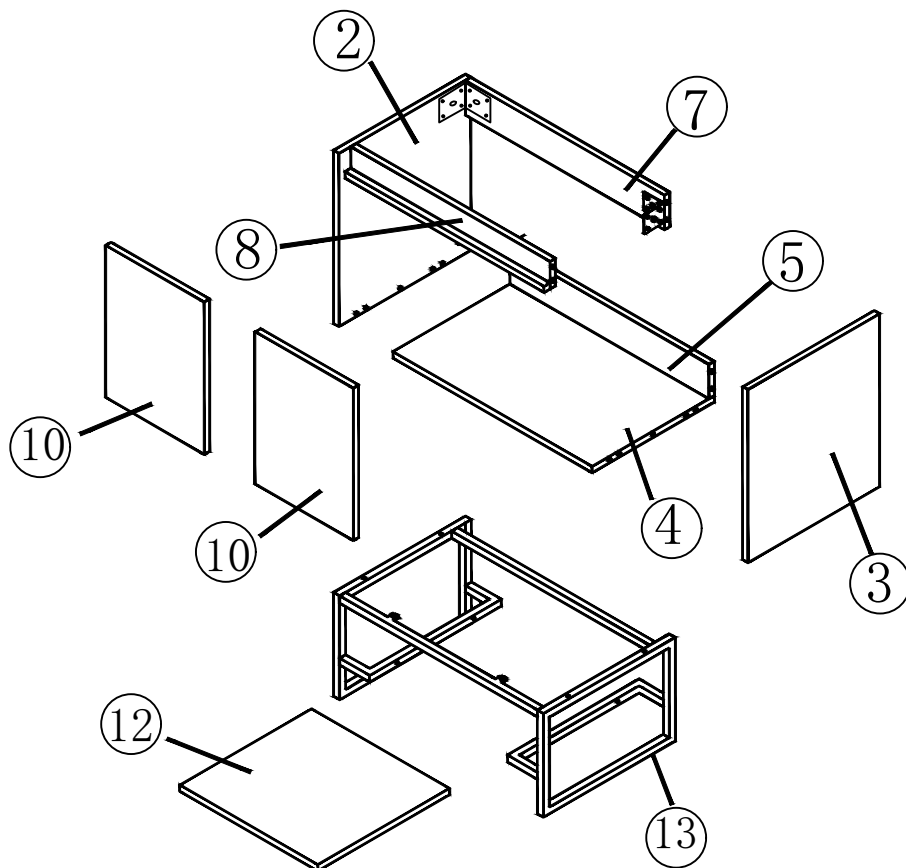
INSTALLATION INSTRUCTIONS

*The vessel and faucet set is not included

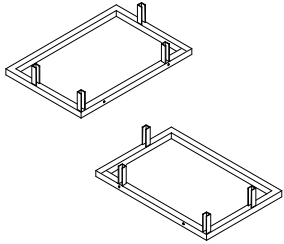
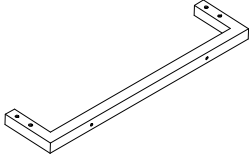
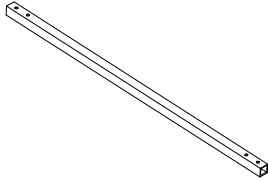
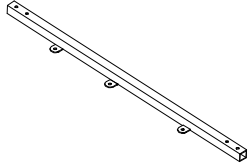
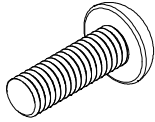
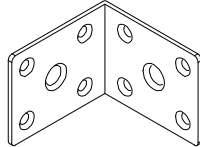
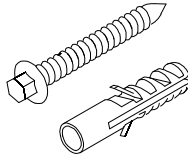


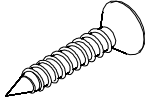
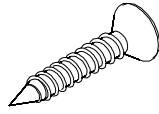
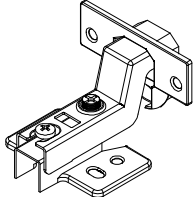
DIMENSIONS



ASSEMBLY DIAGRAM

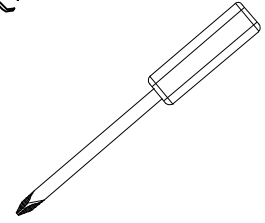
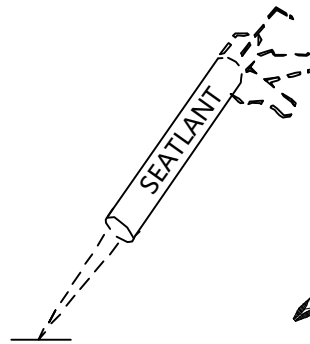
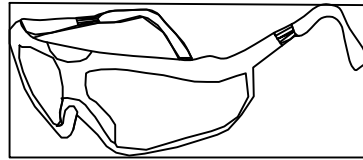
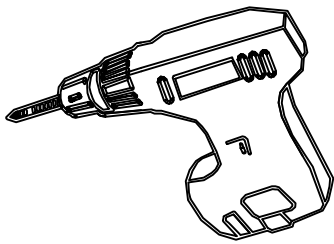


PARTS LIST

							
13-A	2 PCS	13-B	2 PCS	13-C	1 PC	13-D	1 PC
							
13-E	16 PCS	14	2 PCS	15	2 PCS	16	8 PCS
							
17	21 PCS	18	43 PCS	19	8 PCS	20	4 PCS


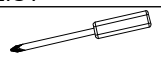


CAUTION: Please confirm the parts list before installtion

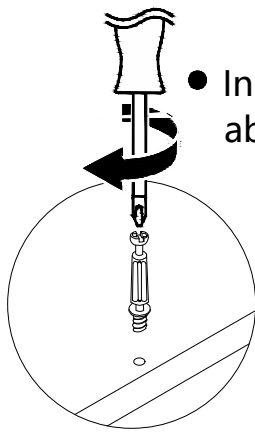
YOU MAY NEED(NOT SUPPLIED)



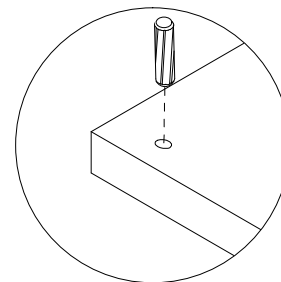
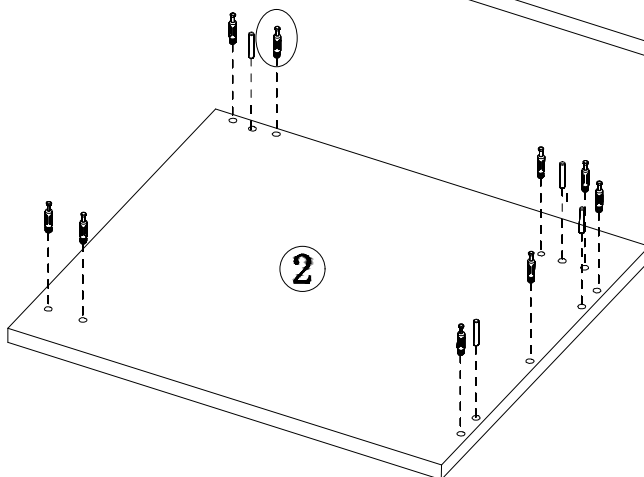
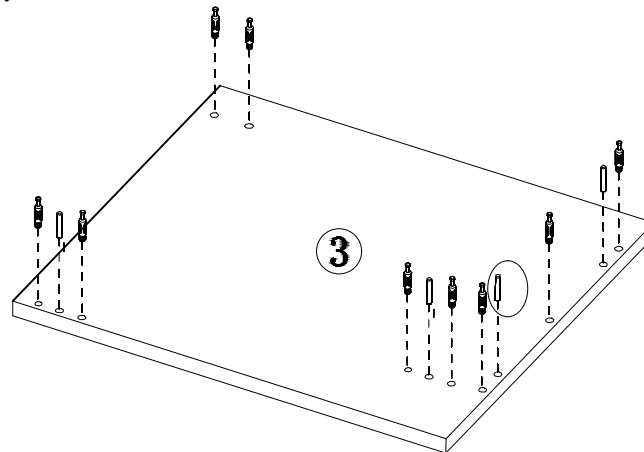
INSTALLATIONS

STEP 1

HARDWARE LIST			
17		18PCS	
16		8PCS	

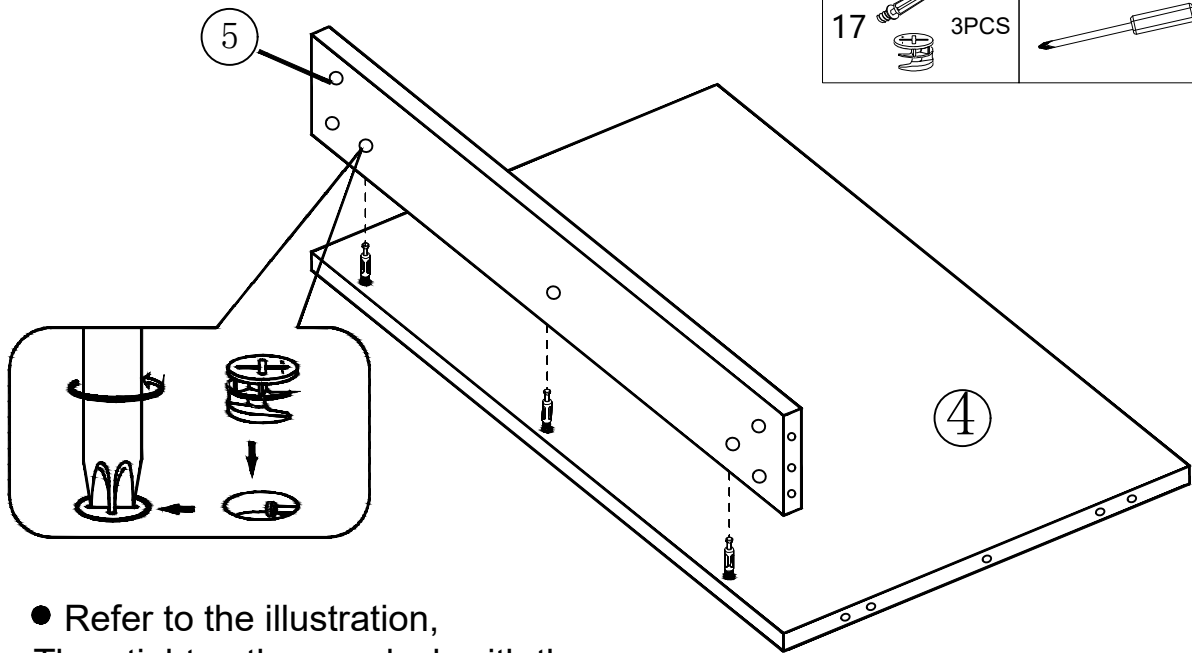


- Insert the Cam Screw into the shelves above.



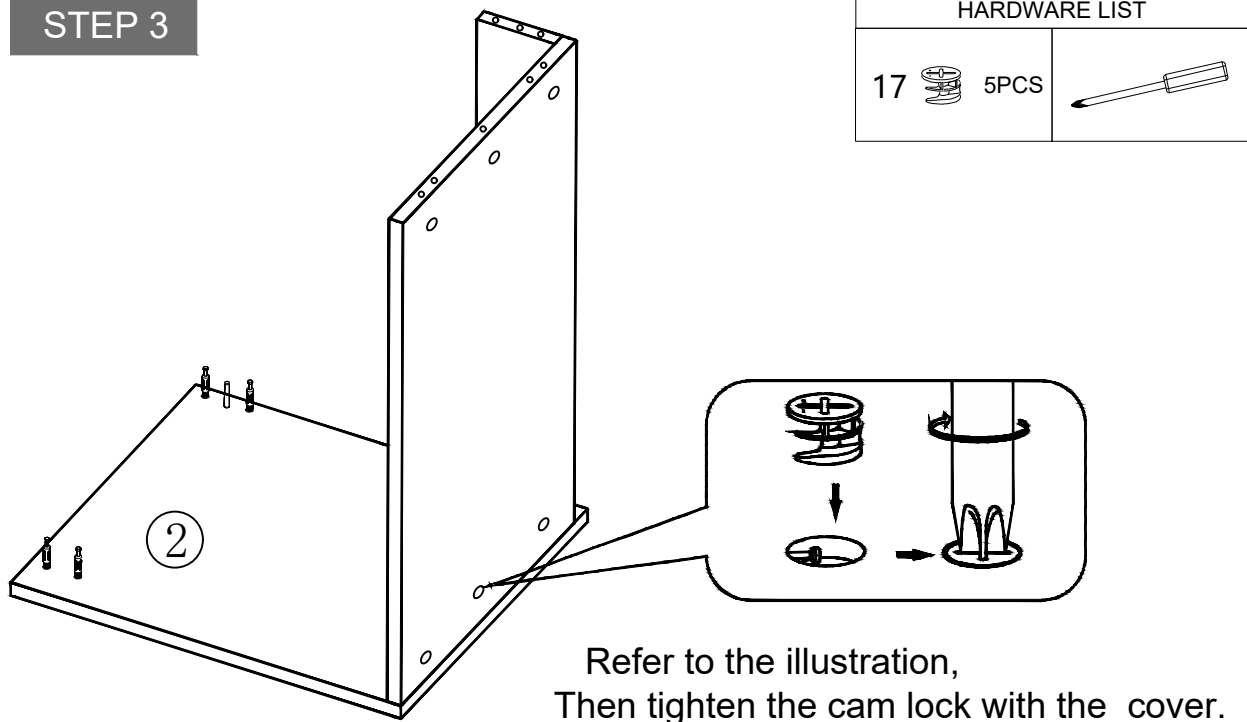
- Insert the wooden dowel pins into the shelves.

STEP 2



- Refer to the illustration, Then tighten the cam lock with the cover.

STEP 3

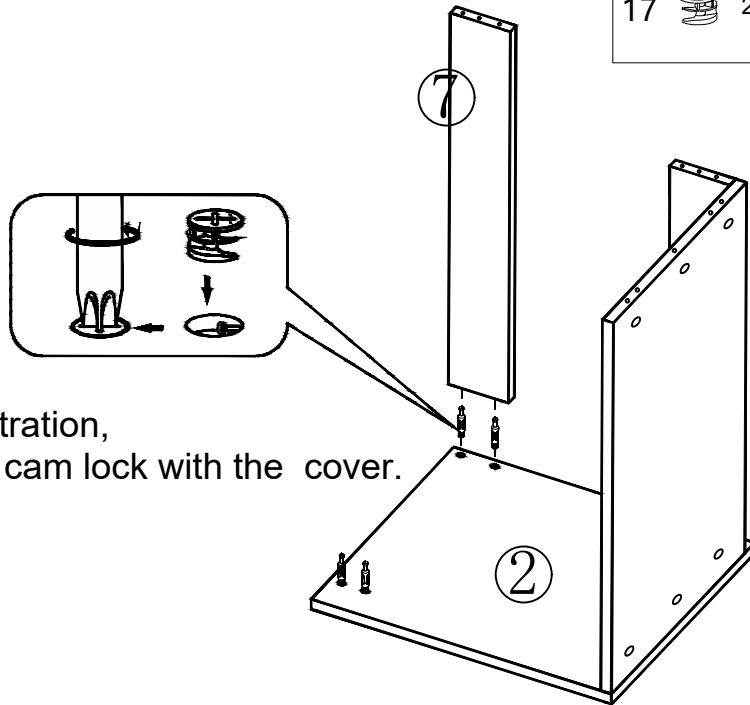
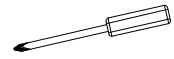


- Refer to the illustration, Then tighten the cam lock with the cover.

STEP 4

HARDWARE LIST

17  2PCS

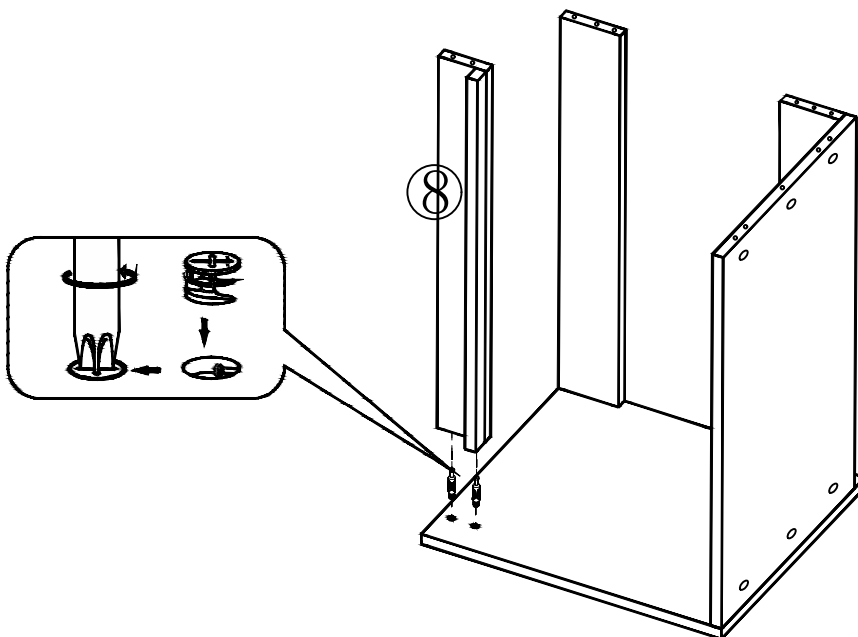
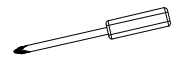


- Refer to the illustration,
Then tighten the cam lock with the cover.

STEP 5

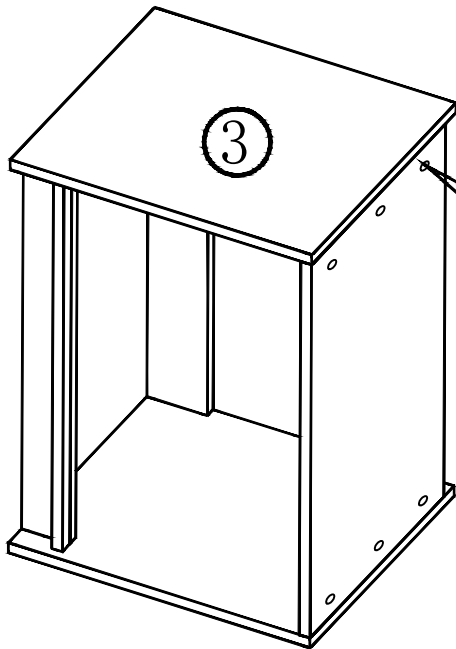
HARDWARE LIST


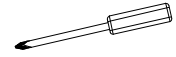
17  2PCS

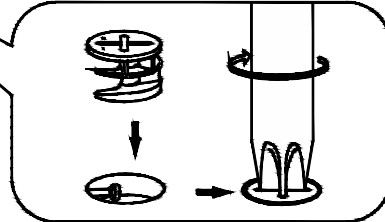


- Refer to the illustration,
Then tighten the cam lock with the cover.

STEP 6

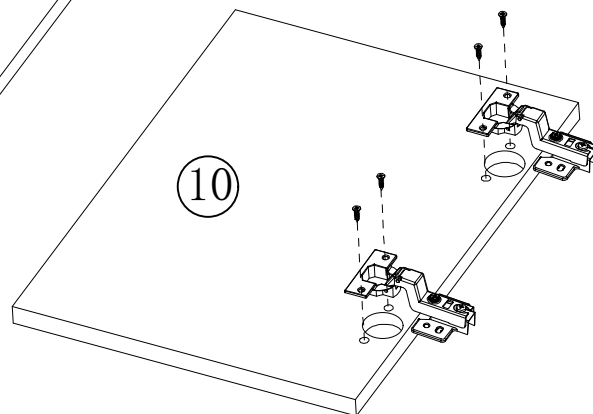
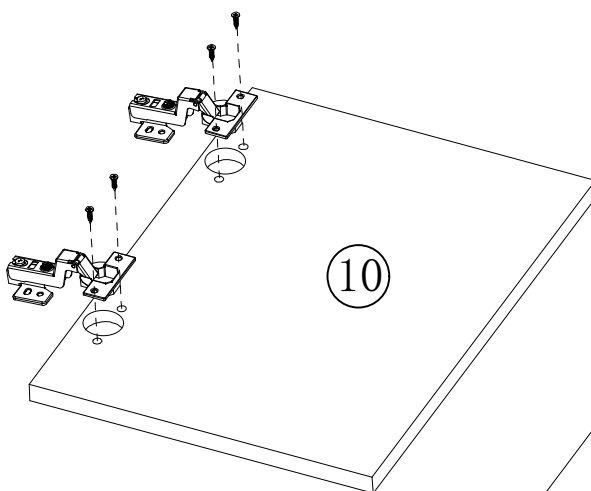


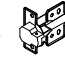

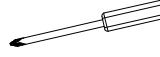
HARDWARE LIST		
17		9PCS
		



- Refer to the illustration,
Then tighten the cam lock with the cover

STEP 7

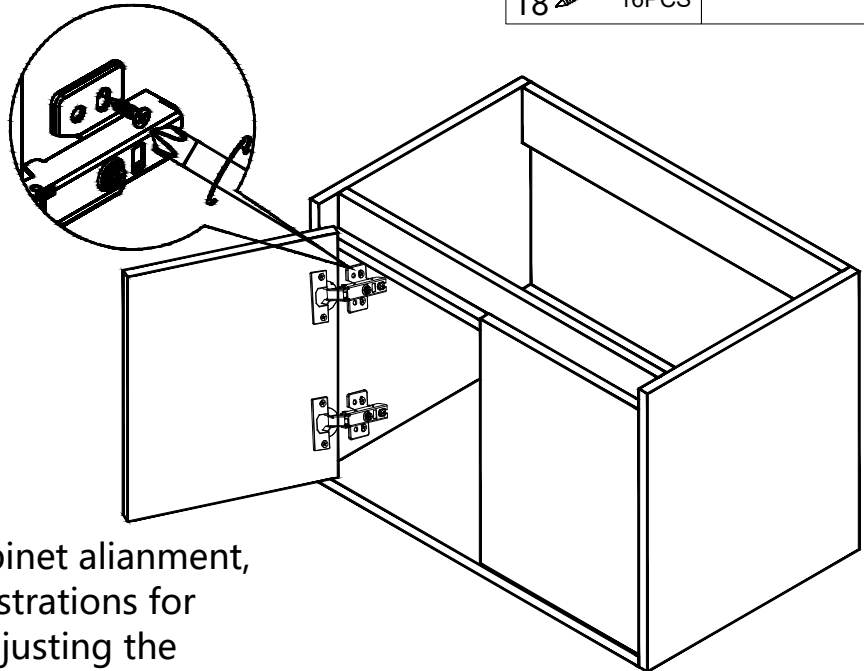
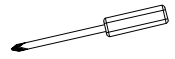


HARDWARE LIST		
21		4PCS
18		8PCS
		

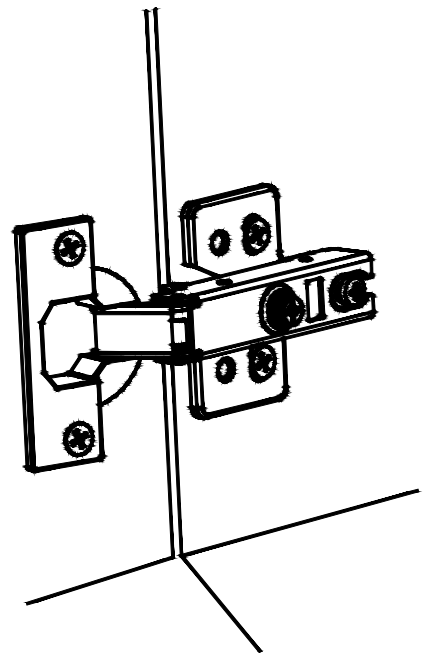
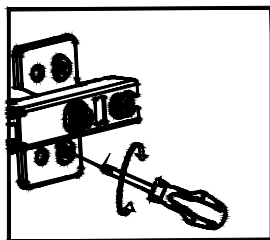
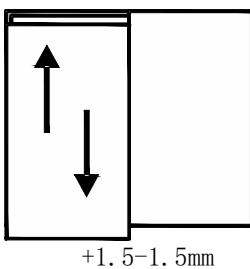
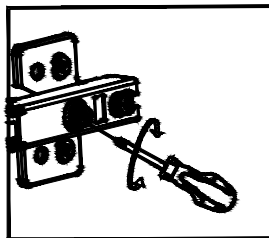
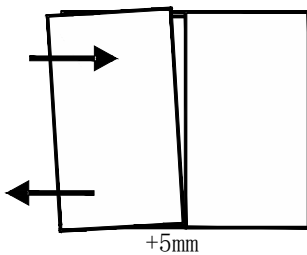
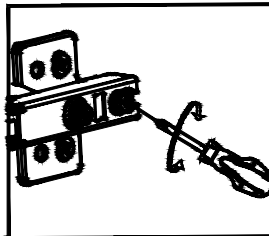
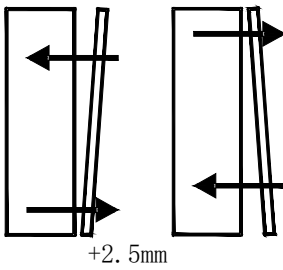
STEP 8

HARDWARE LIST

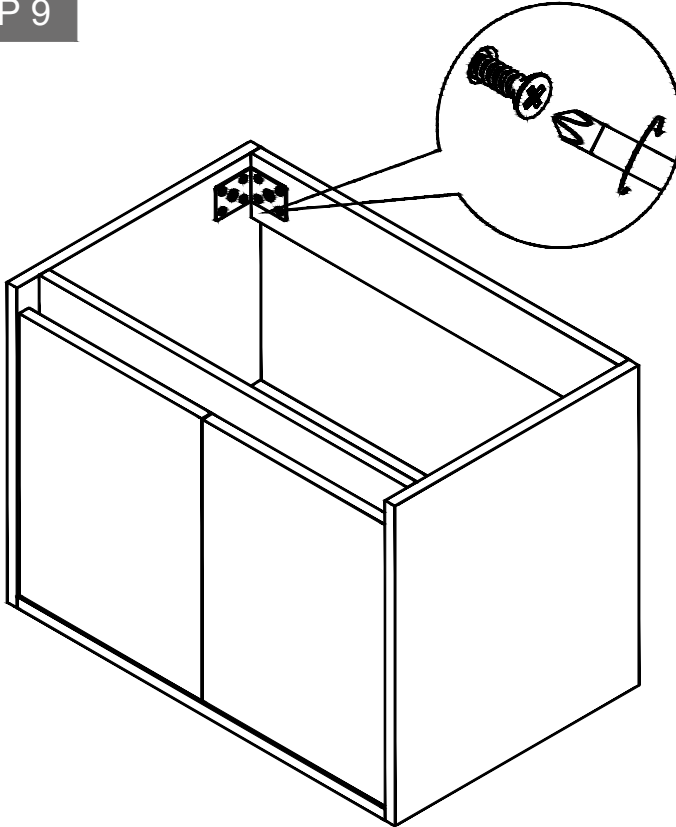
18 16PCS





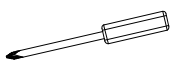
To ensure proper cabinet alignment, refer to the above illustrations for instructions about adjusting the cabinet height, depth and lateral movement.



STEP 9

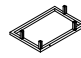
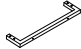


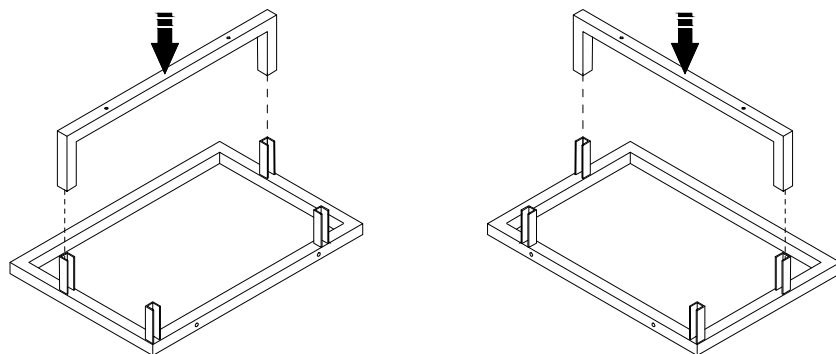
HARDWARE LIST		
14		2PCS
18		16PCS



- Refer to the illustration, lock the combined shelf with screws.

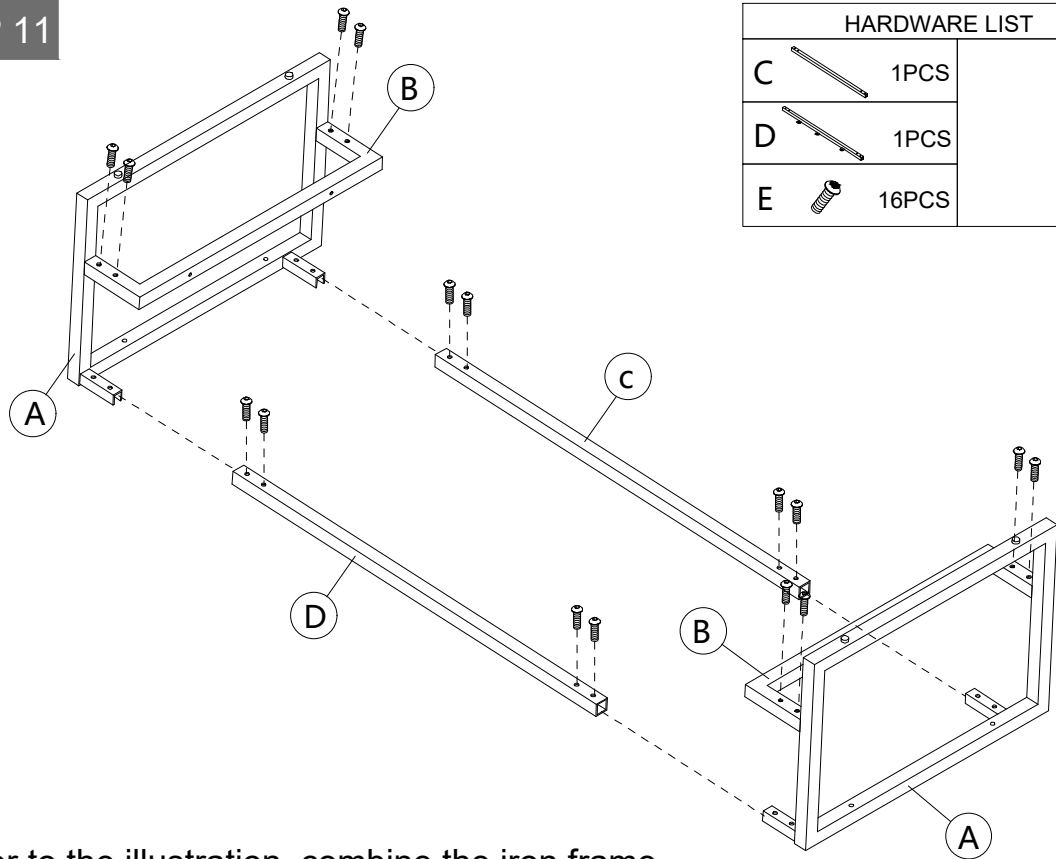
STEP 10

HARDWARE LIST		
A		2PCS
B		2PCS



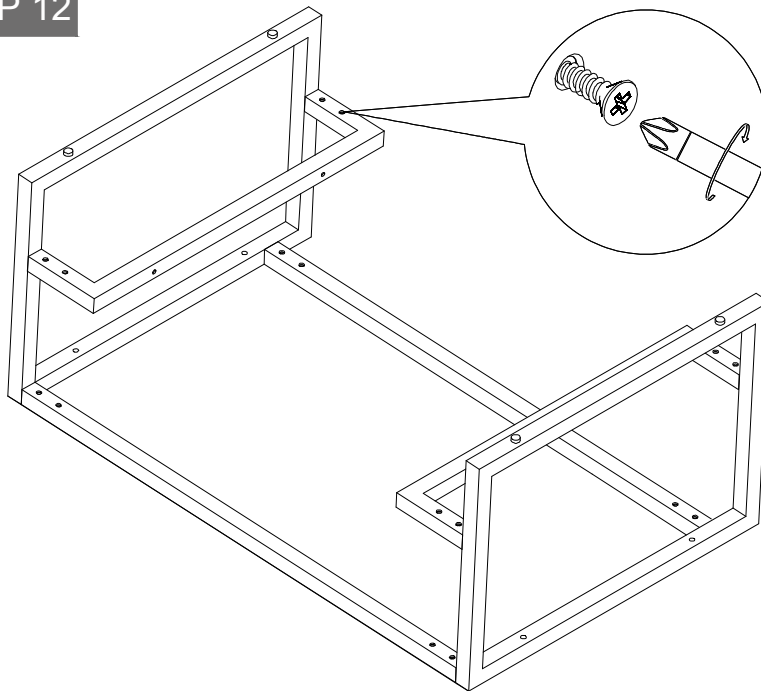
- Refer to the illustration, combine the iron frame and cabinet and lock it with screws.

STEP 11



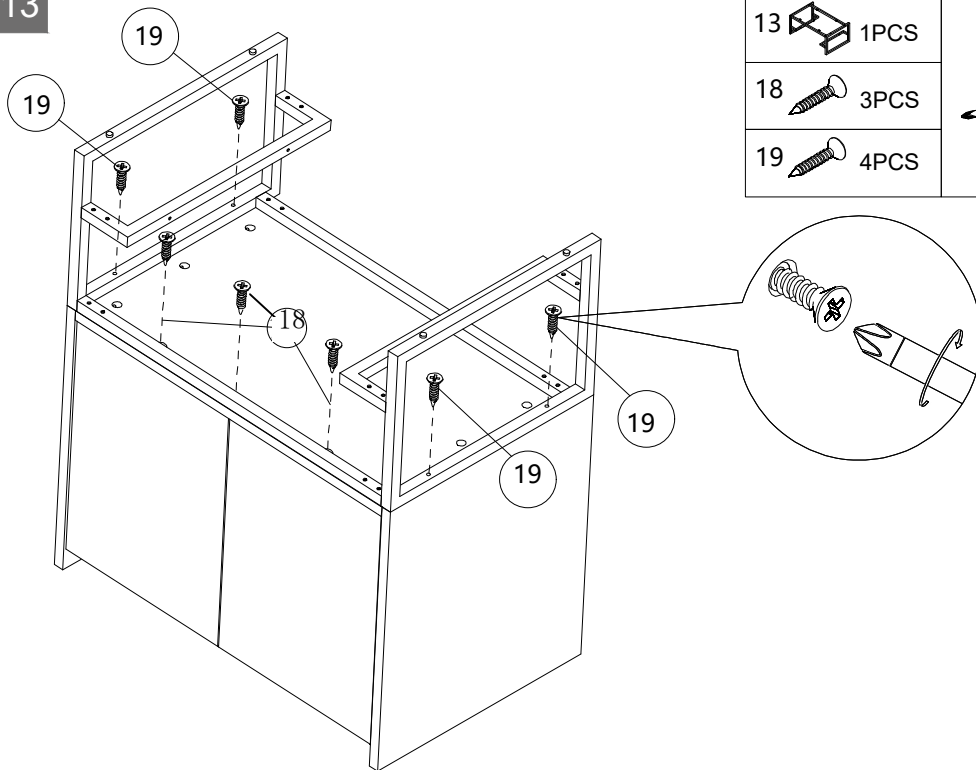
- Refer to the illustration, combine the iron frame and cabinet and lock it with screws.

STEP 12



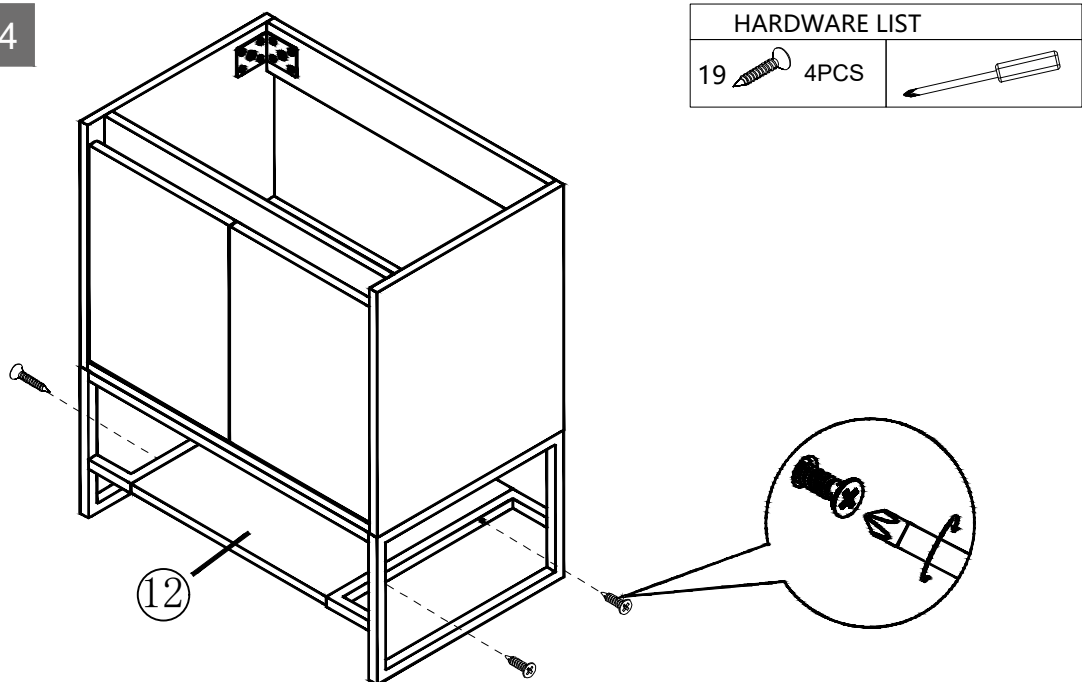
- Refer to the illustration, combine the iron frame and cabinet and lock it with screws.

STEP 13





● Refer to the illustration, combine the iron frame and cabinet and lock it with screws.

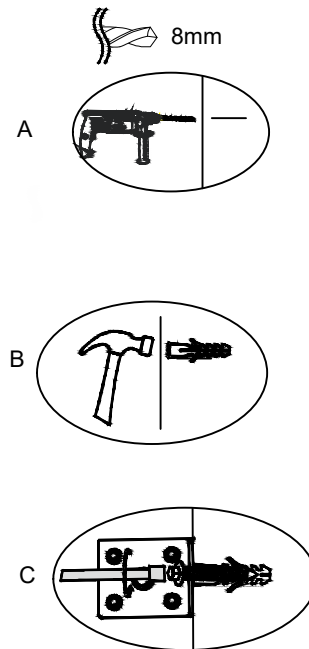
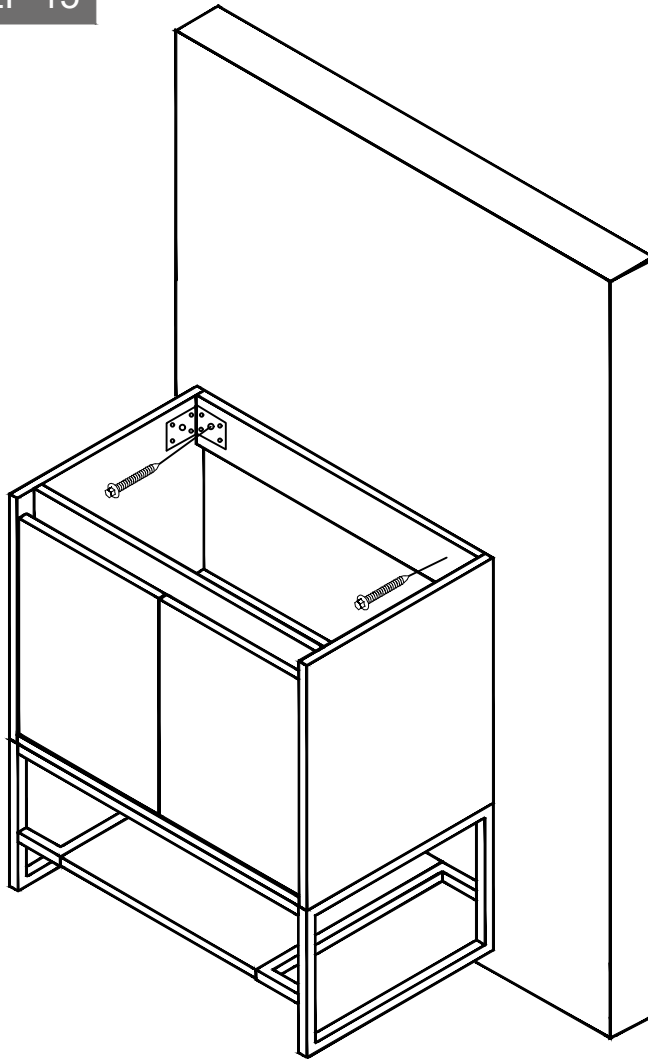
STEP 14



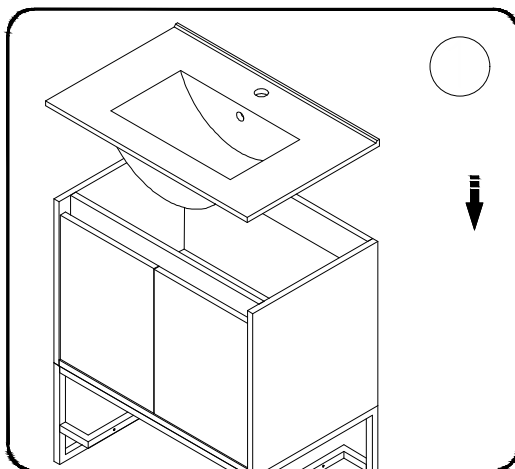
● Refer to the illustration, combine the iron frame and cabinet and lock it with screws.

STEP 15

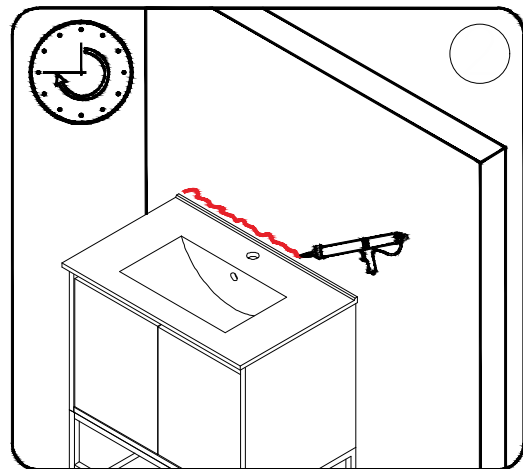
HARDWARE LIST		
15		2PCS
15		2PCS



● Refer to the illustration, Draw the spacing between the walls on the cabinet, punch holes in the wall, and fix the cabinet to the wall with screws. Then tighten the nut cover.



silicone transparent



Install the basin on the cabinet with gluePut into use after 24 hours.

CARE AND CLEANING

1. Many cleansers contain abrasive and chemical substances which are not suitable for cleaning stainless steel, enamel, plating or plastic products. You may use mild cleansers or soaps to clean the surfaces. Wipe any splashes of cleaner solutions from the surface with a clean soft cloth.
2. Maintain ventilation in the bathroom and separate the dry area from the damp one if conditions permit. Try to open the door and windows of the bathroom to maintain adequate ventilation.
3. This cabinet is built to withstand normal bathroom humidity. For best results, keep this vanity dry and take necessary steps to minimize bathroom humidity by opening windows and doors and using the exhaust fan (if available).
4. To maintain the cabinet door, clean and wipe the door regularly with a soft cloth. Wipe condensation with a dry soft cloth. Keep away from resin and high temperatures.
5. Please do not sit, lean or step on the basin cabinet.

Thank you very much for purchasing from eClife

We have always been trying to provide the best service and reliable products for every customer.

However, accidents may happen sometimes, please contact us to resolve any issue before leaving a negative feedback.

Many thanks and welcome to our shop again!

Contact number: (323) -393-8260

E-mail: service@eclifeusa.com