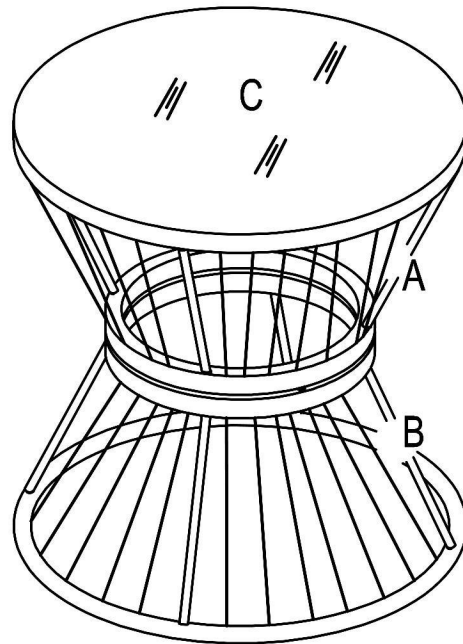


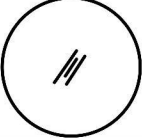


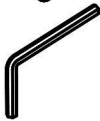


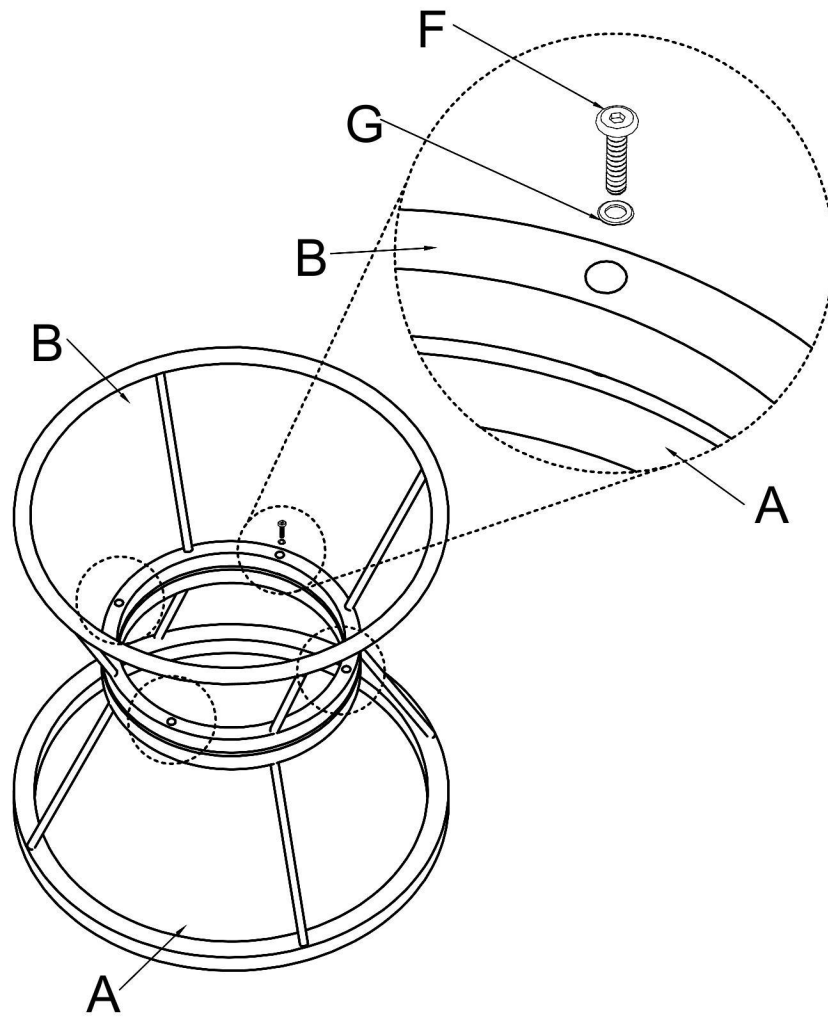
Instruction Manual



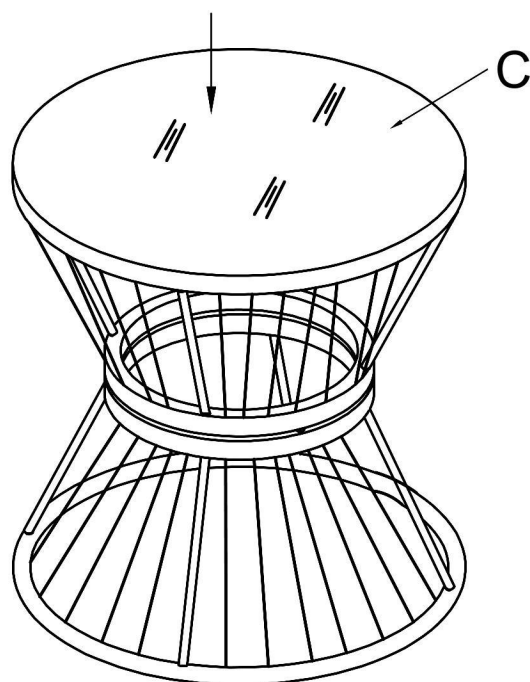
A		1
B		1
C		1

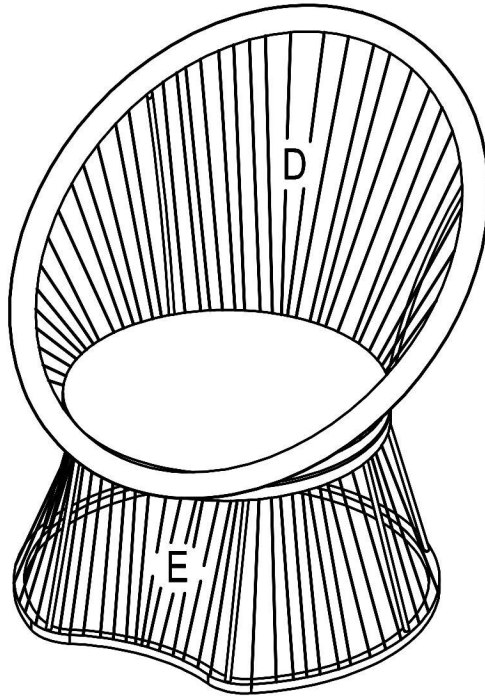
<p data-bbox="228 1843 387 1899">F. Bolt</p>  <p data-bbox="339 2022 539 2065">M6*30*4PCS</p>	<p data-bbox="579 1843 810 1899">G. Shim</p>  <p data-bbox="754 2022 906 2065">M6*4PCS</p>	<p data-bbox="930 1843 1241 1899">H. Hexagon Key</p>  <p data-bbox="1129 2022 1257 2065">M6*1PC</p>
---	--	---


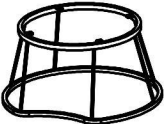
Step 1:



Step 2:





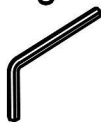
D		2
E		2

I. Bolt



M6*15*8PCS

H. Hexagon Key



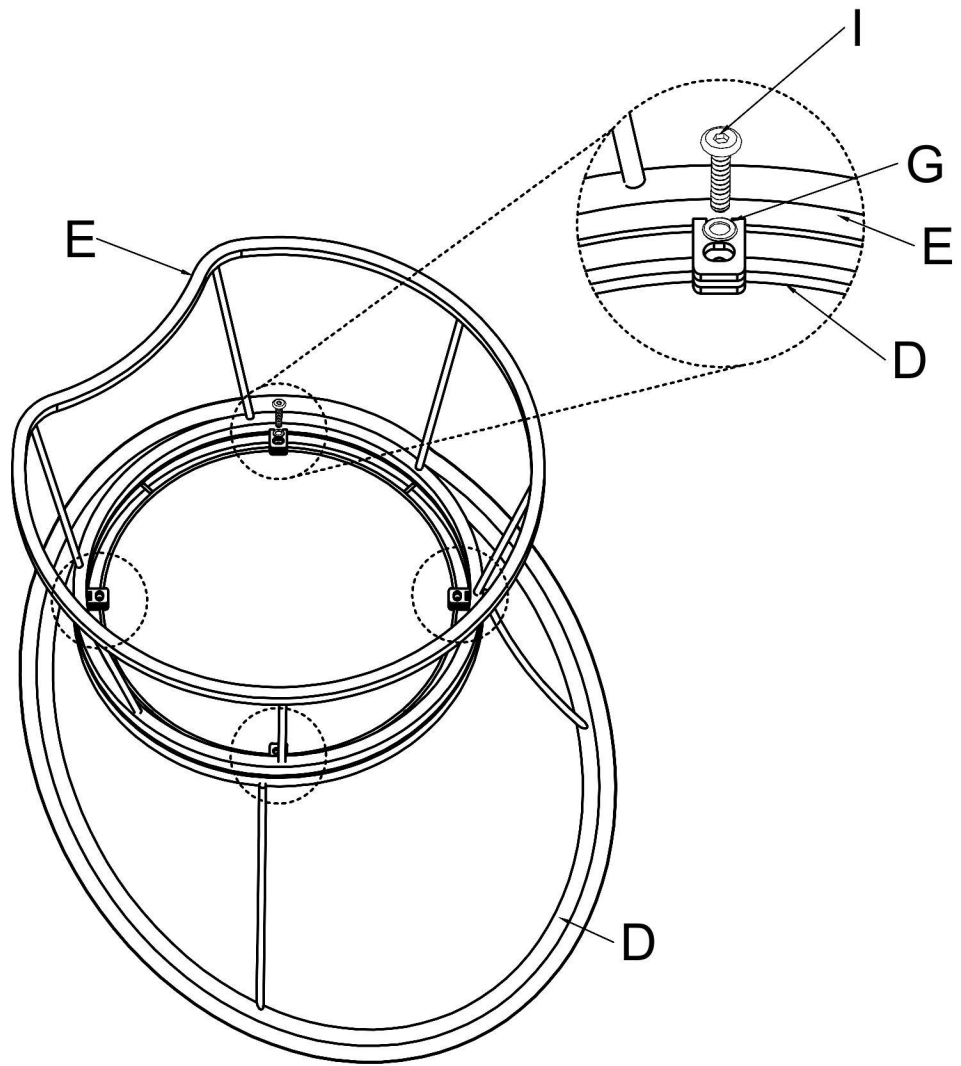
M6*1PC

G. Shim



M6*8PCS

Step 1:



Step 2:

