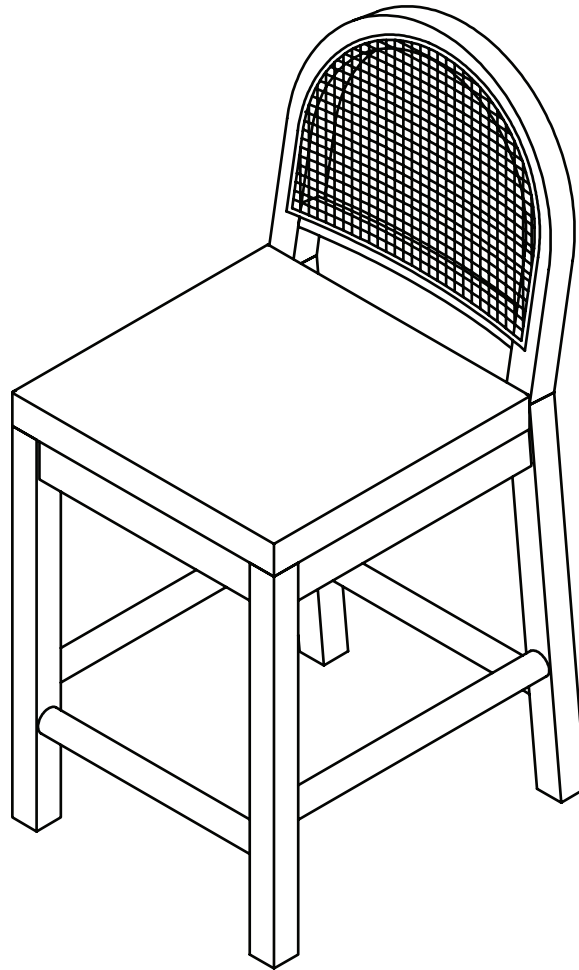


Let's build the

Bailey Bar Stool

SKU 23203



Scan me!

Free Lifetime
Warranty

nathan james

23-0906-VN

Ok, let's get rolling

This should be easy, just follow our instructions and you will be back to Netflix in no time.

Estimated time for assembly



25:00

What you need

- Some of your favourite bubbly or your preferred relaxant
- Use the packaging carton as a working surface to prevent product damage during assembly
- Phillips Screwdriver
- Optional: Electric Screwdriver or Drill

Weight Limitation



250
lbs

Toll-free at 1-866-619-1004
Help@nathanjames.com
Nathanjames.com/help

What's included

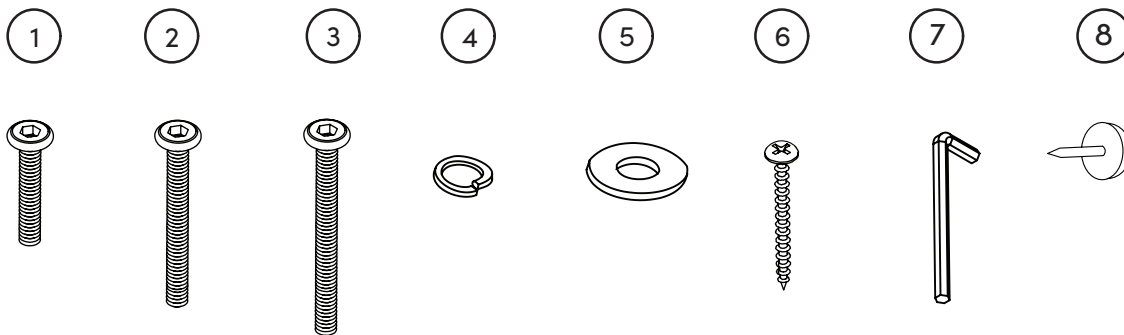
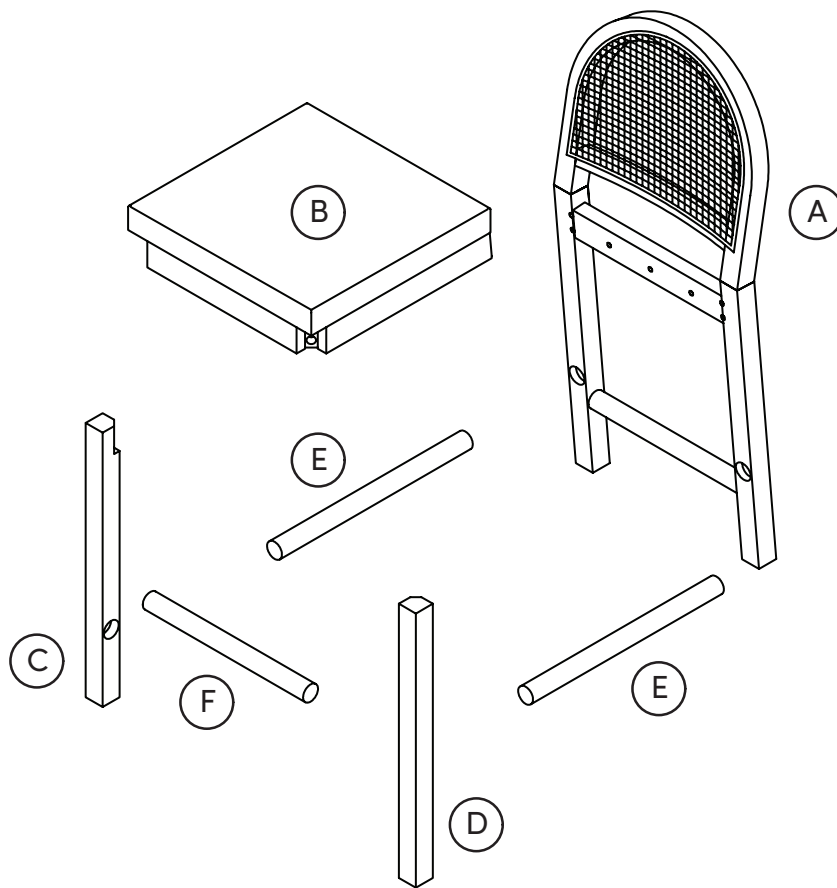
Description	Qty
A Chair Back Assembly	1
B Seat Cushion Assembly	1
C Left Front Leg	1
D Right Front Leg	1
E Side Stretchers	2
F Front Footrest	1
1 1/4" x 1-1/2" Hex Button Head Bolt	2
2 1/4" x 2-3/8" Hex Button Head Bolt	4
3 1/4" x 3-1/8" Hex Button Head Bolt	4
4 1/4" Lock Washer	10
5 1/4" Flat Washer	10
6 M4*38MM Philips-Head Screw	6
7 Allen Key	1
8 Plastic Nail-in Footpad (Extra)	4

Scan me!

Free Lifetime
Warranty



The goods



IMPORTANT

1. Do not tighten bolts / screws completely until all bolts / screws are lined up and inserted into holes.
2. Do not over tighten screws and bolts to avoid stripping.

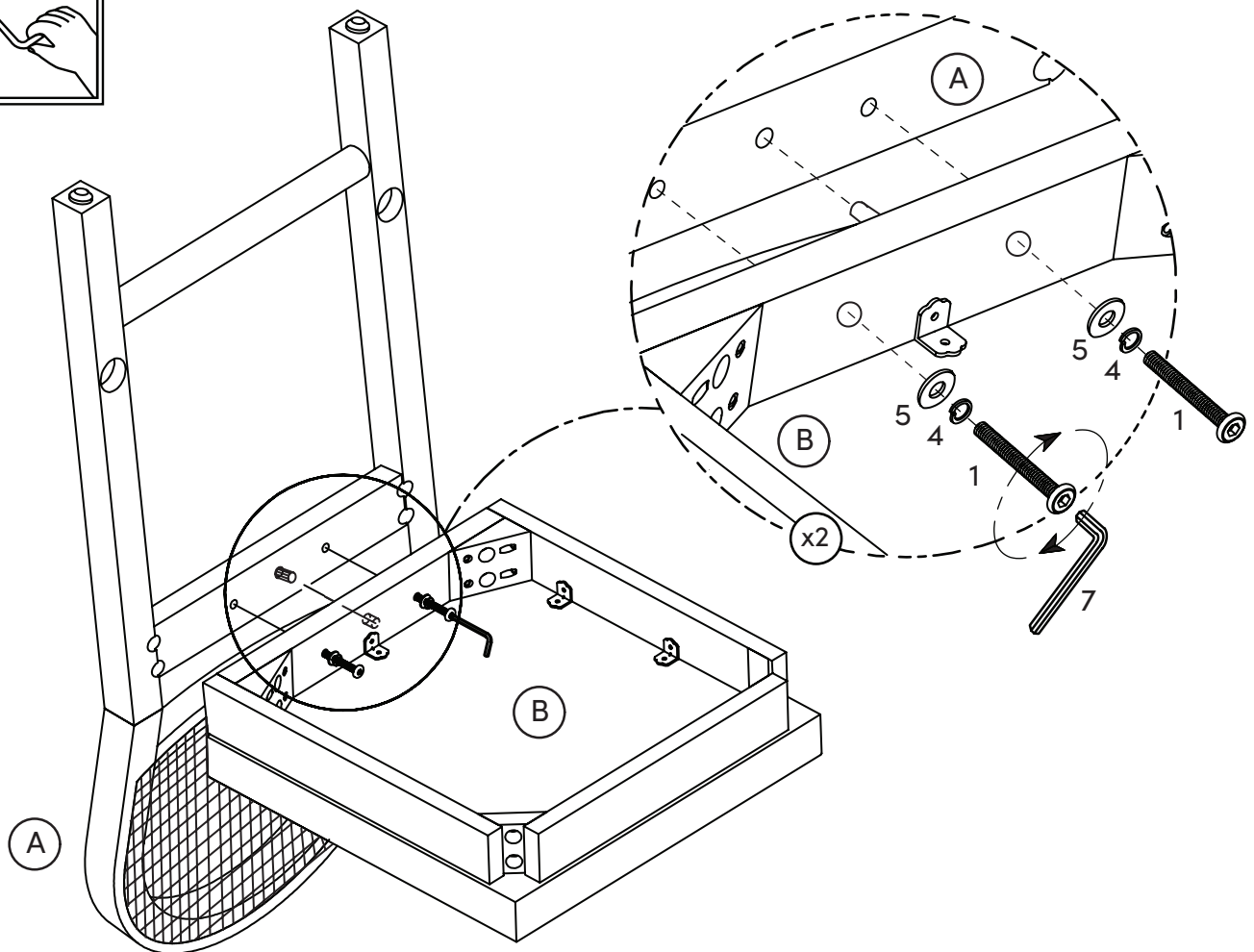
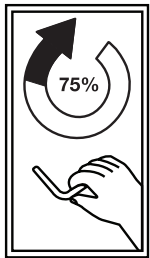
Step 1

Let's get this thing fired up!

Secure the Seat Cushion Assembly (B) to the Chair Back Assembly (A) using the 1/4" x 1 1/2" Hex Button Head Bolt (1), 1/4" Lock Washer (4) & 1/4" Flat Washer (5).

We told you this was going to be easy!

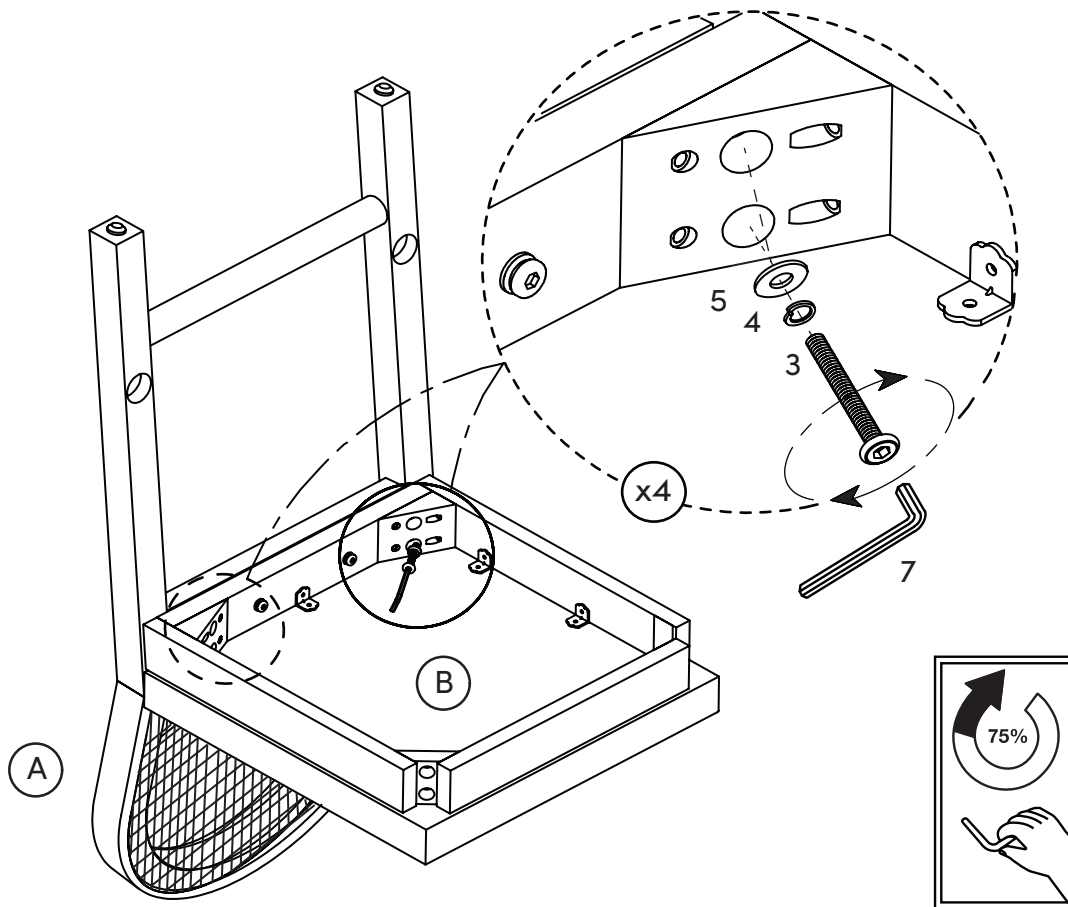
Do not overtighten hardware.
Tighten to 75% for now.



Step 2

Match the sticker on the bottom of the Chair Back Assembly (A) with the sticker on the corner block of the Seat Cushion Assembly (B).

Then secure the Seat Cushion Assembly (B) using the 1/4" x 3 1/8" Hex Button Head Bolt (3), 1/4" Lock Washer (4) & 1/4" Flat Washer (5).

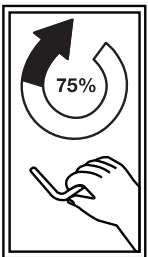


Do not overtighten hardware.
Tighten to 75% for now.

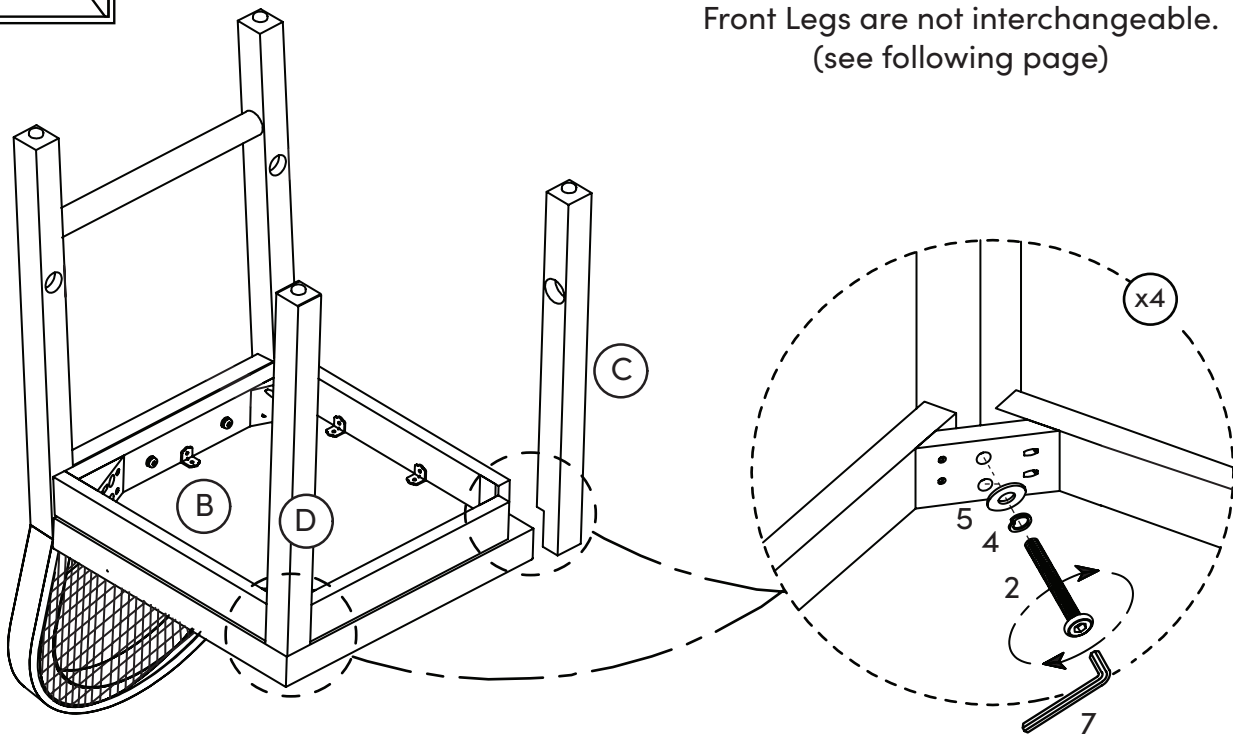
Step 3

Next, attach the Front Legs (C) & (D) to the Seat Cushion Assembly (B) using the 1/4" x 2 3/8" Hex Button Head Bolt (2), 1/4" Lock Washer (4) & 1/4" Flat Washer (5).

Do not overtighten hardware. Tighten to 75% for now.



IMPORTANT NOTE:
Front Legs are not interchangeable.
(see following page)

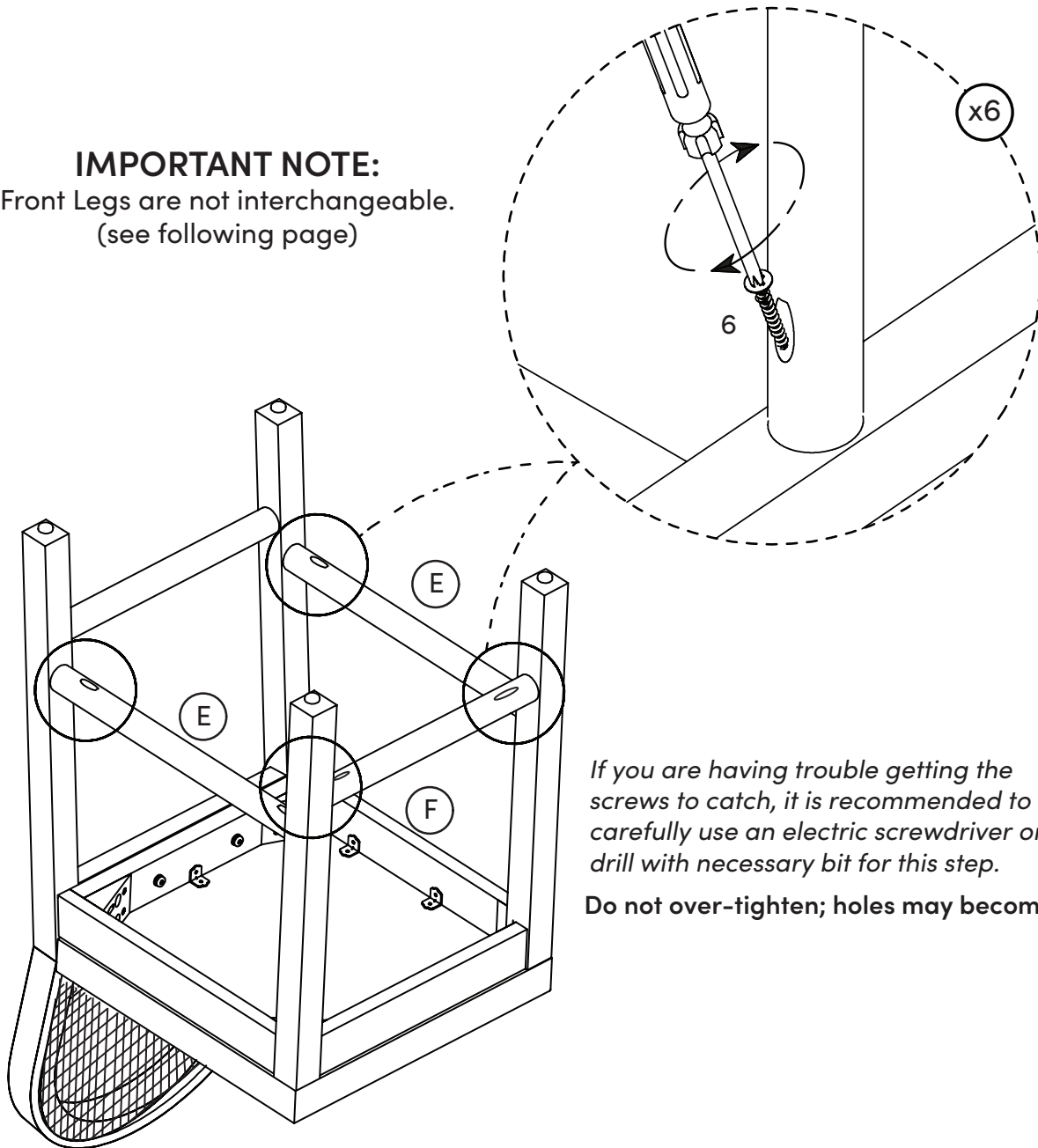


Step 4

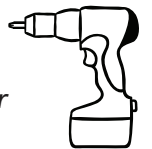
Now, screw on the Front Footrest (F) and Side Stretchers (E).

Only one more step to go!

IMPORTANT NOTE:
Front Legs are not interchangeable.
(see following page)



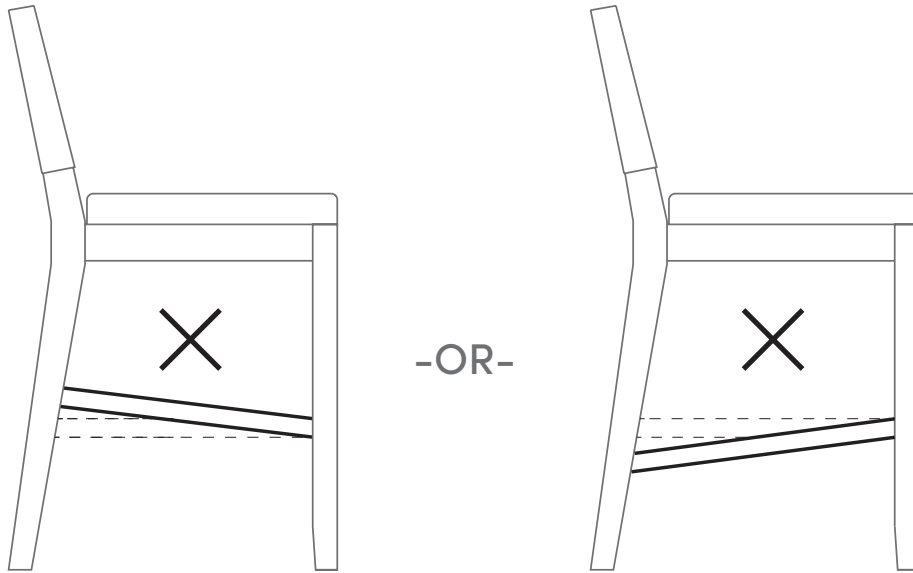
If you are having trouble getting the screws to catch, it is recommended to carefully use an electric screwdriver or drill with necessary bit for this step.



Do not over-tighten; holes may become stripped.

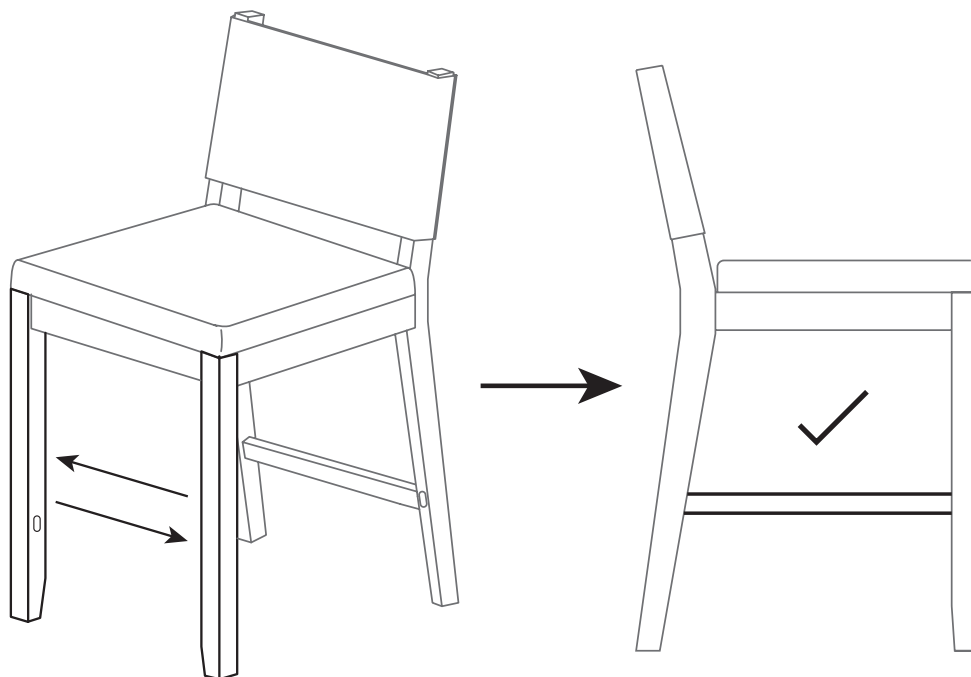
Issues with stretchers aligning at an angle?

If the stretchers are set at an angle when you are aligning them with their respective holes on the front & back legs, you have likely assembled the front legs incorrectly.



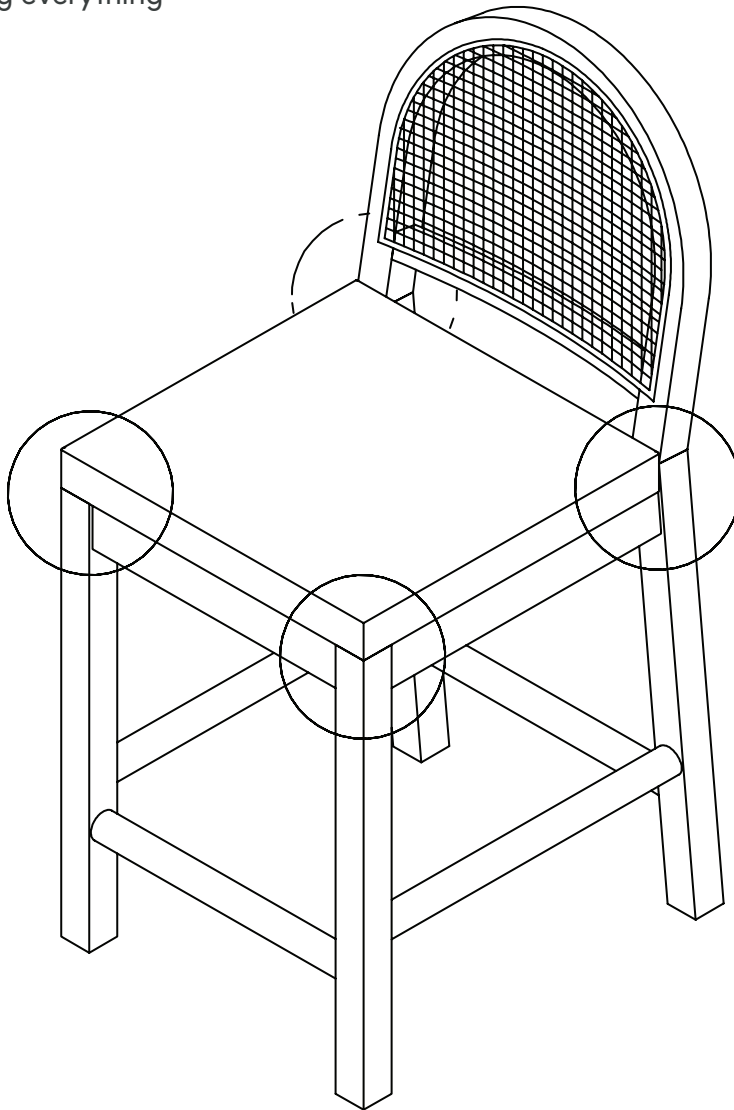
Re-check to confirm that the proper legs are installed in their intended position on the proper side of the stool.

The front legs are not interchangeable; therefore they may need to be rotated and swapped to the opposite side.



Step 5

Last but not least, flip the stool over on a flat surface & make sure all legs are touching before tightening everything from to 100%.



If your stool feels a little wobbly or unstable,
re-address all fasteners to ensure they are 100% tightened.

If your stool STILL feels a little wobbly or unstable,
try loosening some of the fastener connections slightly in order to allow yourself to re-level all the legs on a flat surface before going back around & re-tightening everything back to 100%.



We want your bar stool to last as long as possible, so we recommend that you tighten the screws 2 weeks after assembly and for added safety check the tightness of all screws every 2 months.

No heartburn, when we handle the return

Give us a call **1-866-619-1004** or shoot us a message at **help@nathanjames.com** we will issue you a free replacement with **zero hassle**.

Our way



Give us a call



Replacement



You

Their way



Re-package item



Schedule pick up



Track package



Replacement



You

We really don't want you to go through the hassle of re-packaging your item and sending it back, because let's be honest...nobody has time for that.

Safety first, fun later

We want your product to last as long as possible, so we recommend that you tighten the screws 2 weeks after assembly and for added safety check the tightness of all screws every 2 months.

For proper care and treatment, please check our website at NathanJames.com/products

Safe use of this product starts with you.

Use this product responsibly with the primary concern for your safety. Follow assembly instructions carefully and inspect product upon receipt and each use.

Nathan James and its parent companies cannot be held legally responsible for any injuries or death resulted from failure to follow instructions or improper use of this product.

Do not modify the structure of this product in any way.

Our products have been tested to meet specific safety measures as they were originally intended to be sold. Any modifications will present the risk of creating significant safety issues which NJ will not be responsible for.

Proper use

- DO NOT** use for commercial purposes
- DO NOT** frolic on bar stool
- DO NOT** use bar stool as foot stool
- DO NOT** leave spilled liquid on seat
- DO NOT** use bar stool if damaged
- DO NOT** make temporary repairs
- DO NOT** use outdoors

We are only in business if you're happy

For starters, thanks for being you.

☎ Toll-free at 1-866-619-1004

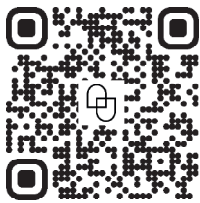
✉ Help@nathanjames.com

🌐 NathanJames.com/help

We do our best to ensure your furniture arrives without any problems, but occasionally mistakes happen—as humans we are imperfect beings. In the event that a part is damaged or missing, we will be more than happy to provide you with replacement part(s) for free.

Warranty

This product comes with a lifetime warranty from the date of purchase. Please use your phone to scan the QR code to register your product or visit <https://goo.gl/i9dk3q>



Did we do alright? Please spread the love!

If you are happy with your product, tell your friends and family about us or even better leave us a review online. Spreading the word gives us the opportunity to make more people happy and keep our prices low for your next purchase.

Brooklyn Burden

Founder, Nathan James