







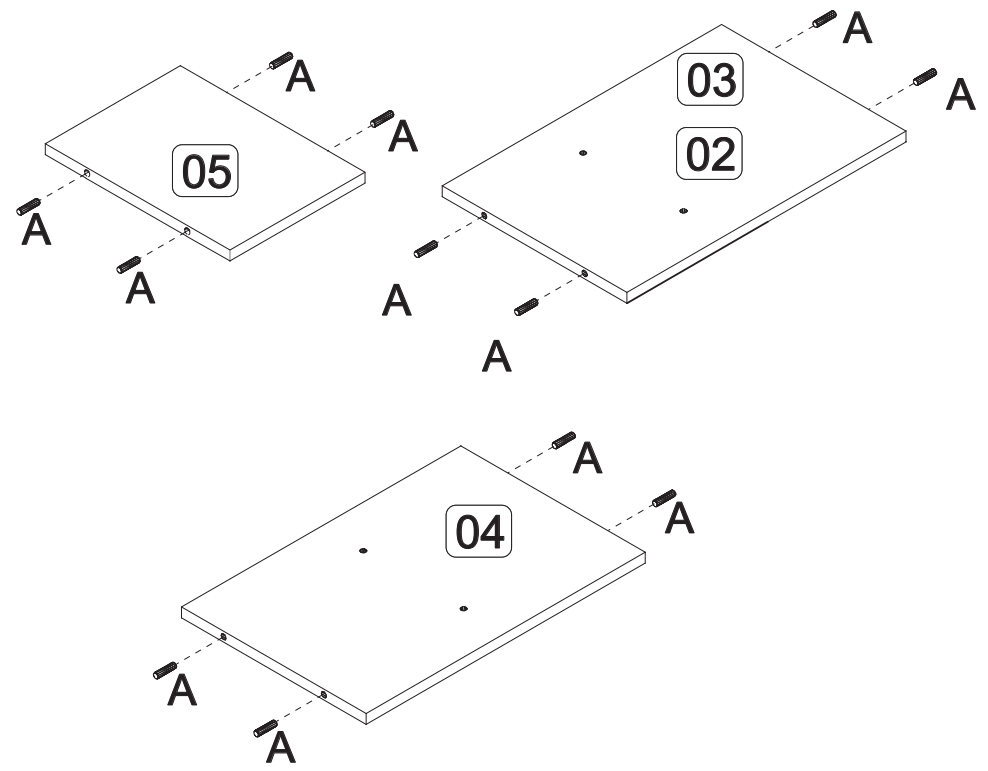


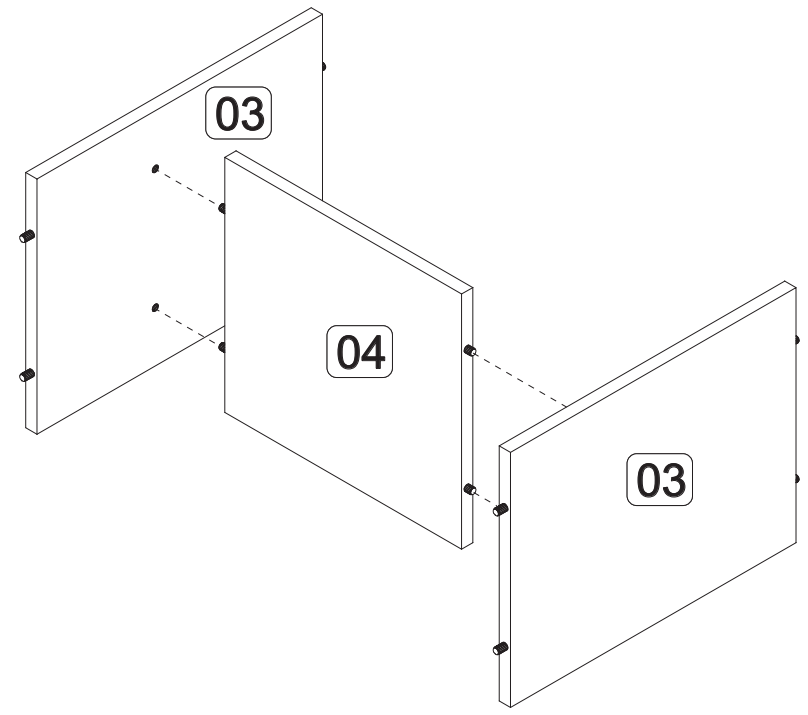
HARDWARE		QTY.	HARDWARE	QTY.	
A		24	E		15
B		16	F		01
C		16	G		02
D		04	H		04

CODE	DESCRIPTION	QTY.
1	Left side	01
2	Top/ Base	02
3	Shelf	02
4	Division	01
5	Lower shelf	01
6	Footer	01
7	Right side	01
8	Back	01

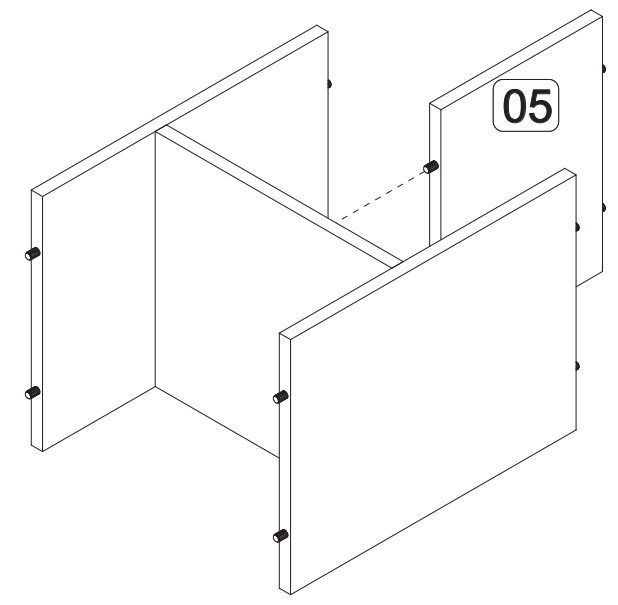
STEP 1



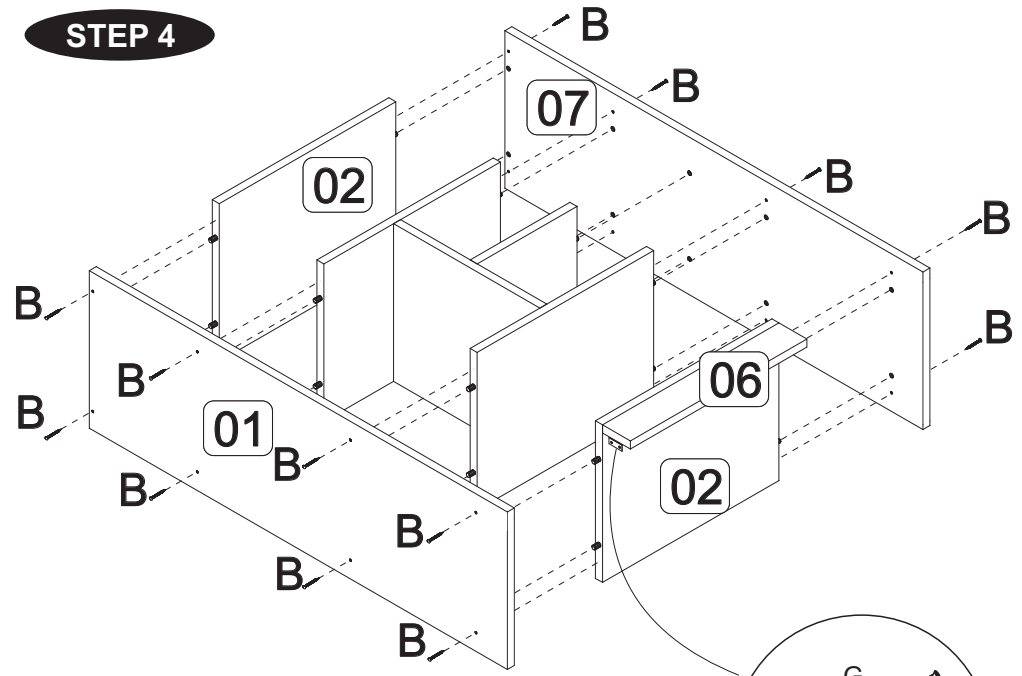
STEP 2



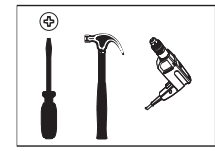
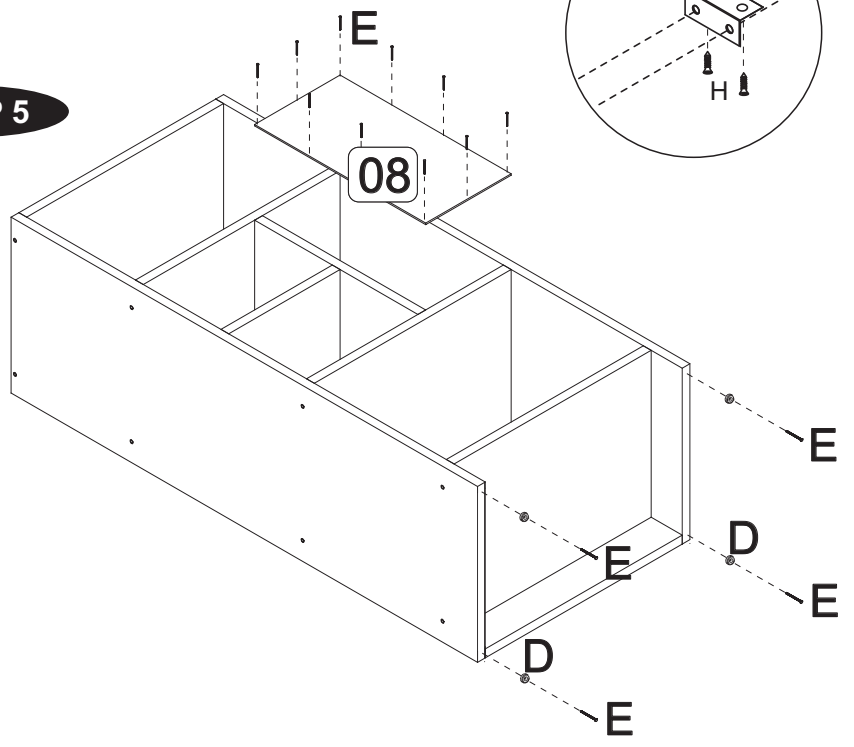
STEP 3



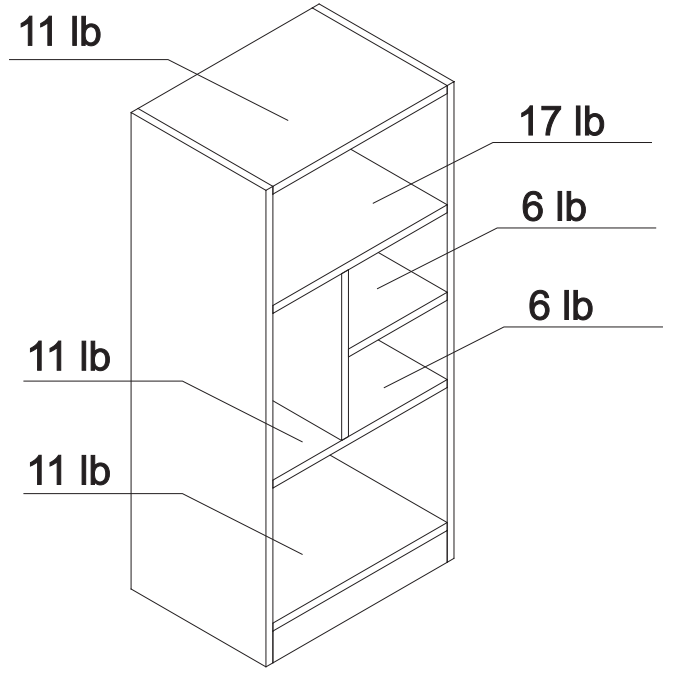
STEP 4



STEP 5



Weight capacity



Note:
Please read manual details prior to assembly to ensure proper configuration.

Do not use any chemicals or abrasive material when cleaning.