

Assembly Instructions

BAR STOOL

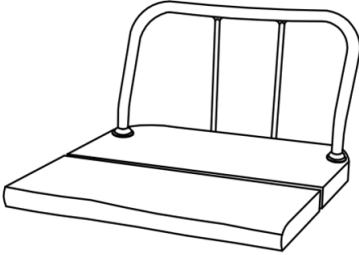
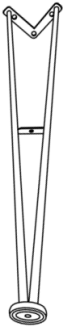
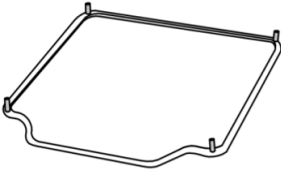
Caution : You must read this before you proceed

Please look in the dummy box for hardware packs.




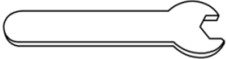



CAUTION : This Barstool is NOT a TOY.
Keep your child / children at bay in the process of assembly.
For turning the Barstool and to prevent damage to the Barstool, 02 persons may be needed to execute this action.

Parts List

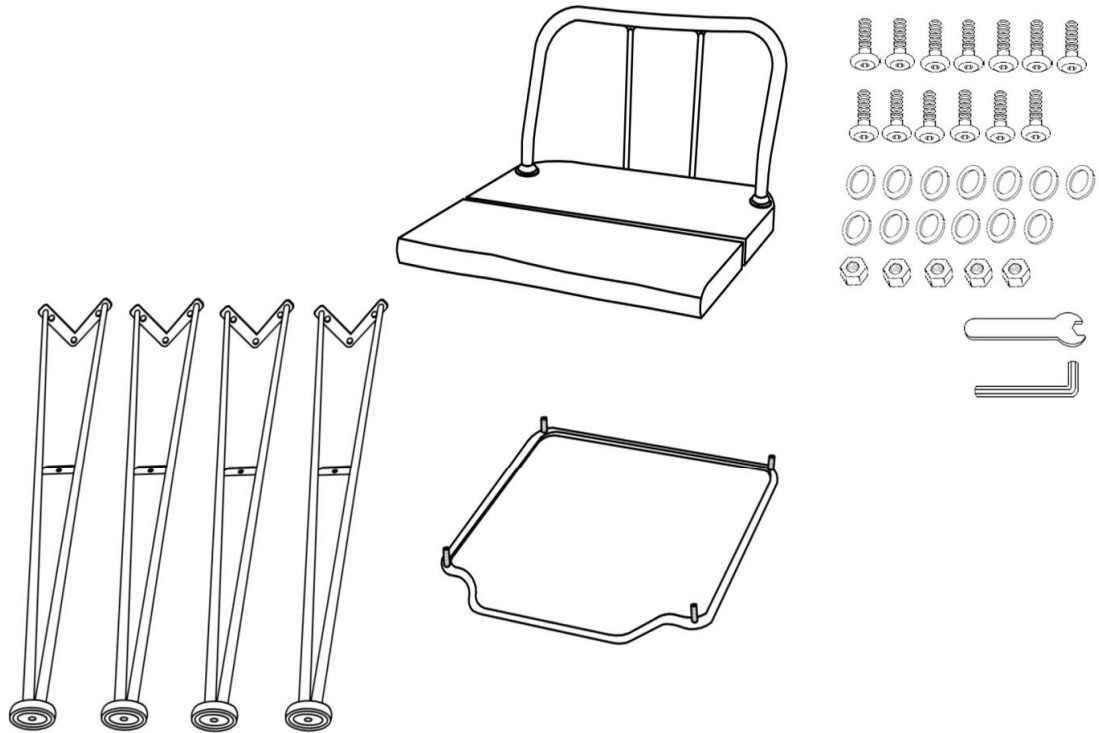
Label	Picture	Description	QTY
A		Seat panel	1
B		Leg	4
C		Leg Support Rail	1

Hardware

Label	Picture	Description	QTY
①		Bolt (M8x20mm)	13
②		Flat Washer (M8.5/20x2mm)	13
③		Bolt Nut (M6)	5
④		Wrench	1
⑤		Allen Wrench	1

Assembly Preparation

Before Beginning Assembly:



- Read instructions, cover to cover-



- Have 2 adults on hand for assembly-



- Do not assemble on flooring or carpet-



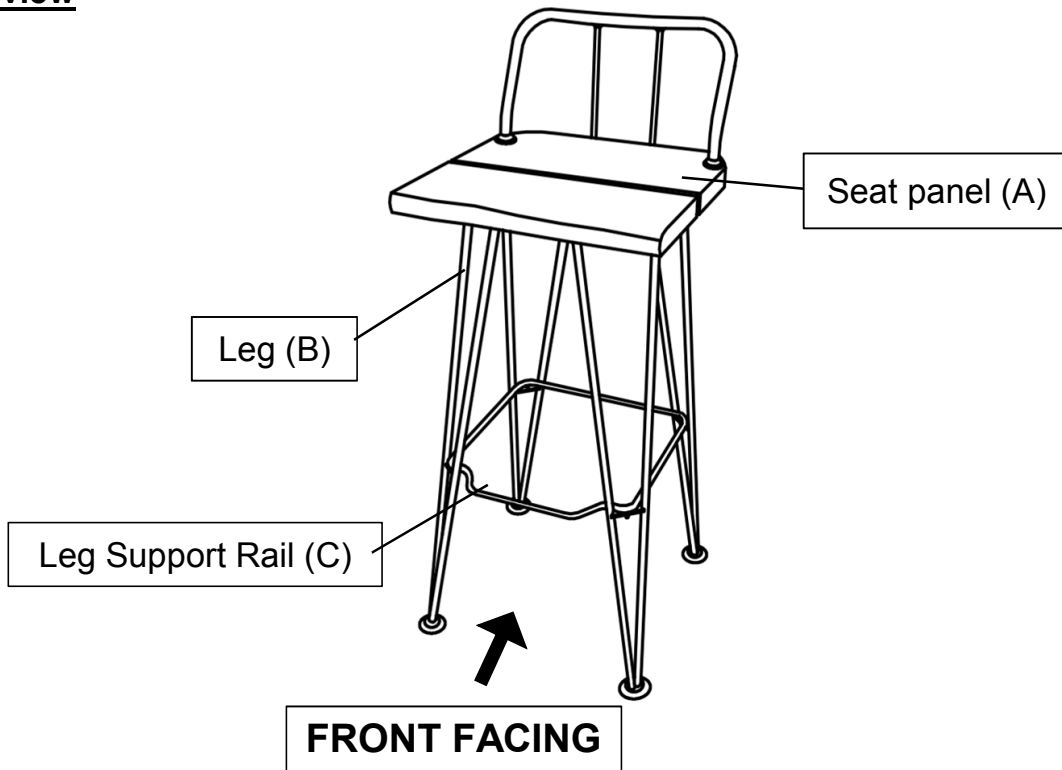
- Assemble on a clean non-marring surface (packing foam)-



- Save all packaging until finished-

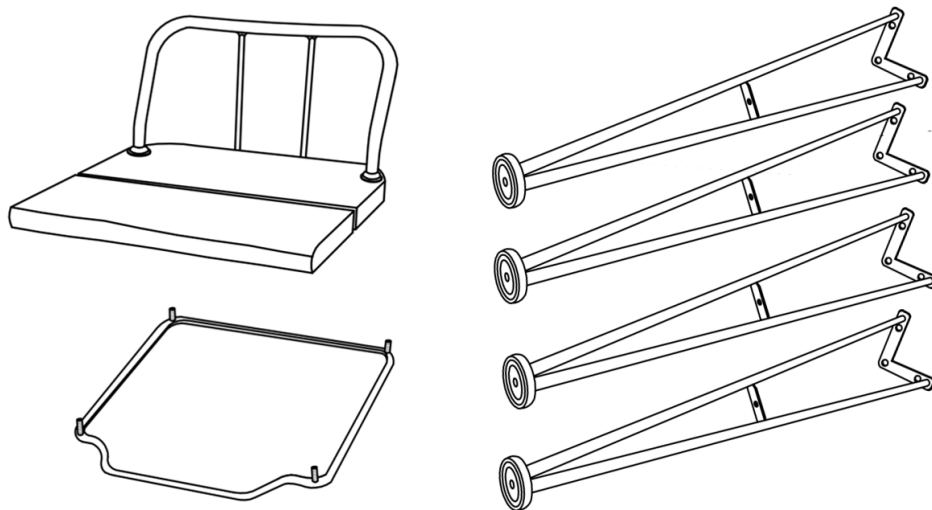
Assembly Steps

Overview



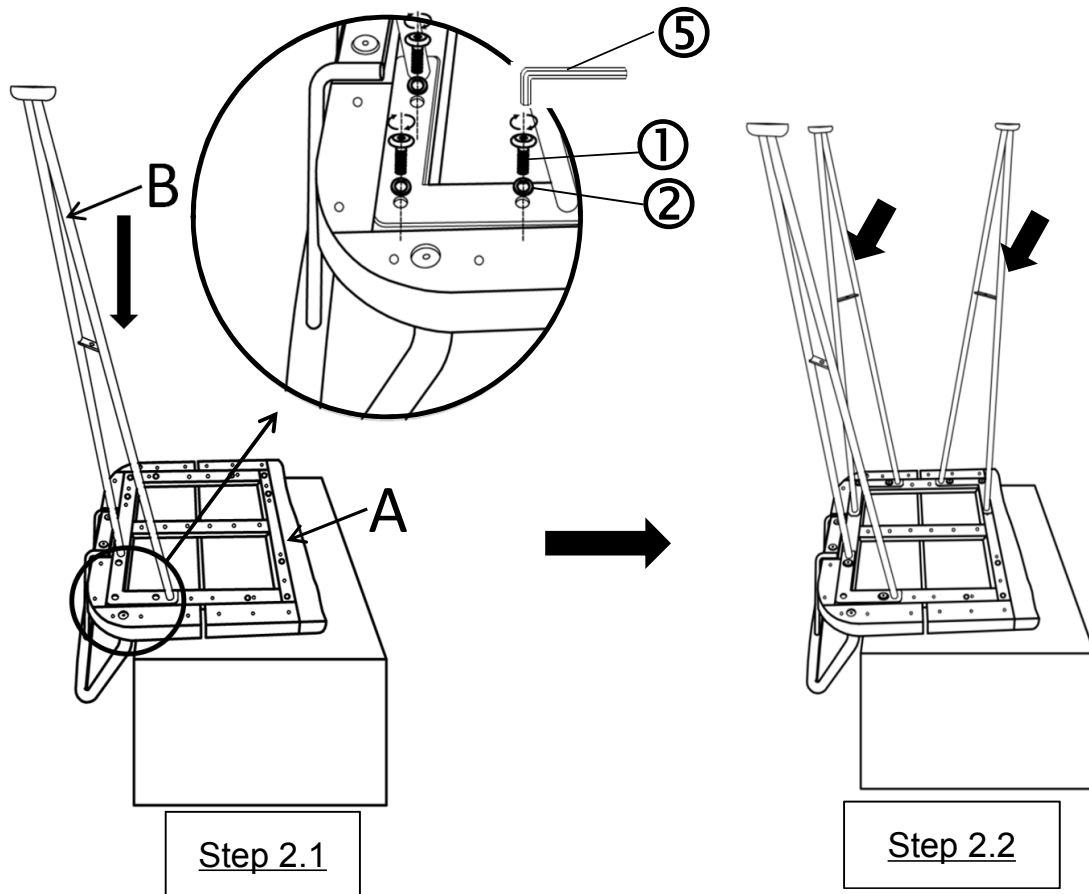
This Barstool has multiple parts and may require up to 30 minutes to assemble. To give you an overview of the Barstool parts, the above picture is to help you put the various parts into perspective. Please read through the instructions below to familiarise yourself with the parts and steps before assembly.

Step 1



Unpack and place all parts on a clean, non-marring surface.

Step 2



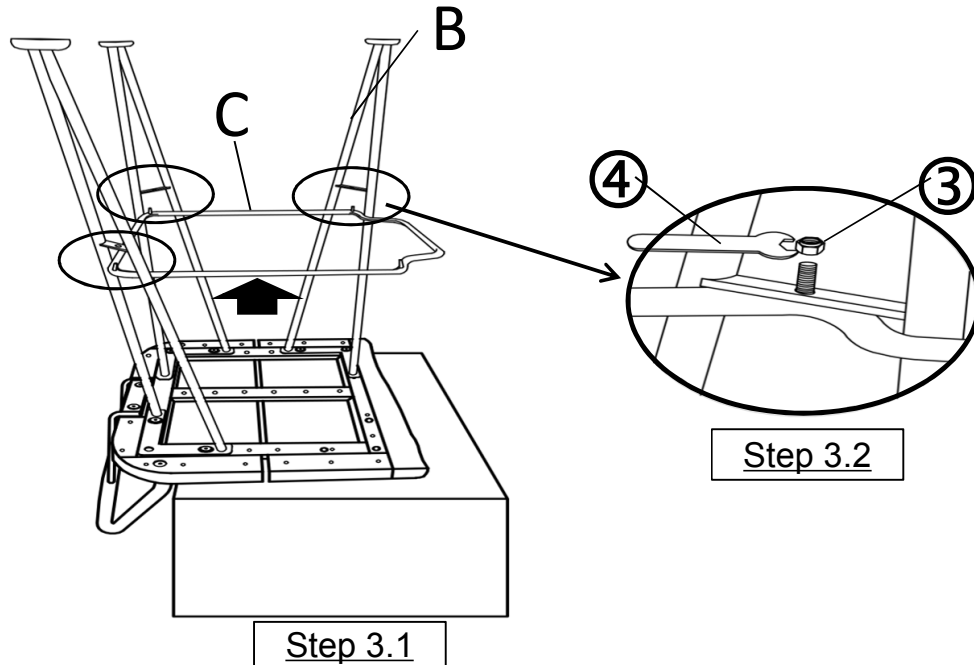
2.1) Place the Seat panel (A) onto the side of a table or a box as shown in picture. You will have the bar chair bottom and legs facing skywards.

Attach one of the Legs (B) into the Seat panel (A) by using Bolts (①), Flat Washer (②) and Allen Wrench (⑤) as shown in picture.

2.2) Repeat same process as Step 2.1 to attach 2 Legs (B) into Seat panel (A) as shown in picture. but left one leg unassembled.

Do not fully tighten the Bolts.

Step 3



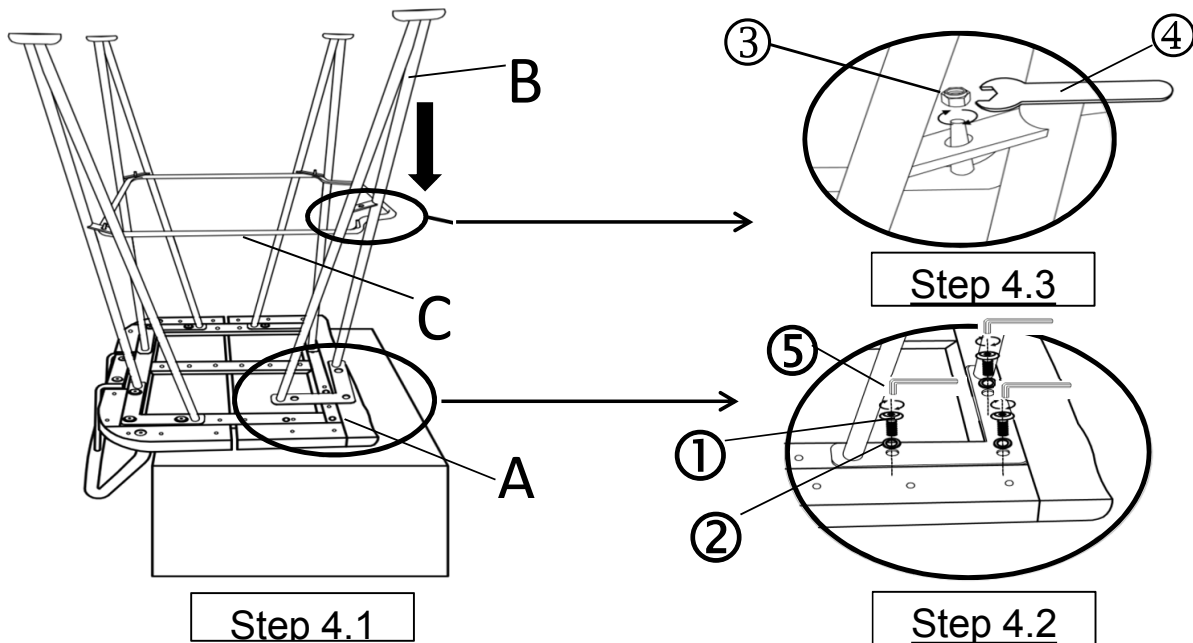
3.1) Attach the Leg support rail (C) into the Legs (B) as shown in picture.

Note: the welded bolt on Leg Support rail (C) must match pre-drilled mounting position on the legs (B).

3.2) Affix the Leg support rail (C) with the Legs (B) by using Bolt nut (3) and Wrench (4) as shown in picture.

Do not fully tighten the Bolts.

Step 4



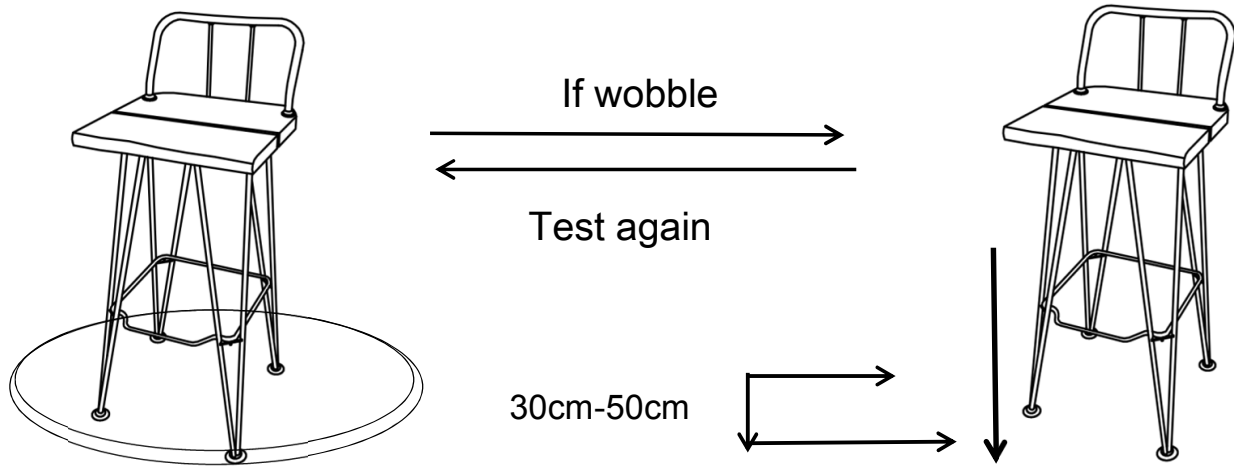
4.1) Attach the remaining leg (C) into the assembled frame as shown in picture.

4.2) Repeat the same process as Step 2.1 to affix Leg (B) with Table top (A).

4.3) Repeat the same process as Step 3.2 to affix Leg (B) with Leg support rail (C).

Do not fully tighten the Bolts.

Step 5



Place the Chair right side up on a LEVEL SURFACE to see if it wobbles. If it wobbles, lift the Chair some 30cm to 50cm height from the ground. Keep your feet and toes well away from the drop zone. Drop the Chair freely and vertically with all four legs, hitting the ground at the same time.

This Drop Test will help to ensure that all the Bolts, Screws and gaps reach full alignment status.

Test again for evenness on a LEVEL SURFACE.

If no wobbles are found, proceed to tighten all the Screws, and Bolts.

When tightening these screws, tighten sequentially.

Do not tighten any Bolt, or Screw fully and then move towards the next one.

This could cause the frame to warp.

If there are still wobbles, loosen the Screws and Bolts and execute the same drop tests.

If the Chair is not stable it could lead to damage to the product.

Step 6













Inspect the Chair and make sure all parts are connected.

Your Chair is ready for use.

This Chair can only be used on a flat, level surface.

Care & Maintenance

- ⊘  ● Prolonged exposure to rain may cause rusting which can stain floors.
- ⊘  ● Do not put hot items directly on furniture surface.
- ⊘  ● Do not clean furniture with harsh cleansers or polish.
- ✓  ● To obtain the longest lifespan of your outdoor products, minimizing exposure to direct sunlight is recommended.
- ⊘  ● Children should not climb or jump on the furniture.
- ⊘  ● Do not write on furniture without a padded barrier to protect the surface.
- ✓  ● To obtain the longest lifespan of your outdoor products, avoid extended and lengthy exposure to rain, snow, and direct sunshine. Whenever possible cover the product and /or place under patio or awnings.
- ⊘  ● Not for commercial use. For residential use only.
- ⊘  ● Stains may be removed with mild soap solution and damp cloth.
- ✓  ● Dust and pick-up spills using a clean, non-colored, lint-free cloth.