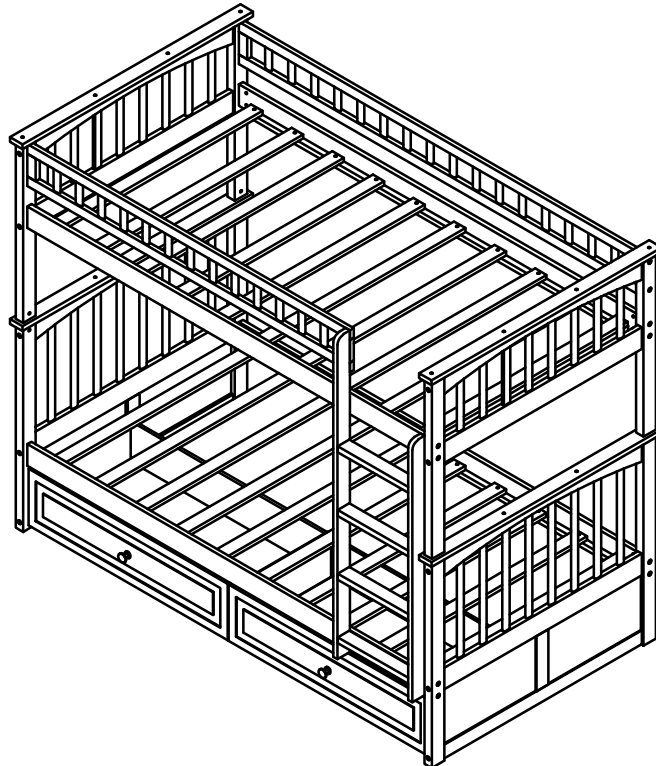


ASSEMBLY INSTRUCTION

This set is included 2 boxes if don't receive full 2 boxes please contact our customer service team



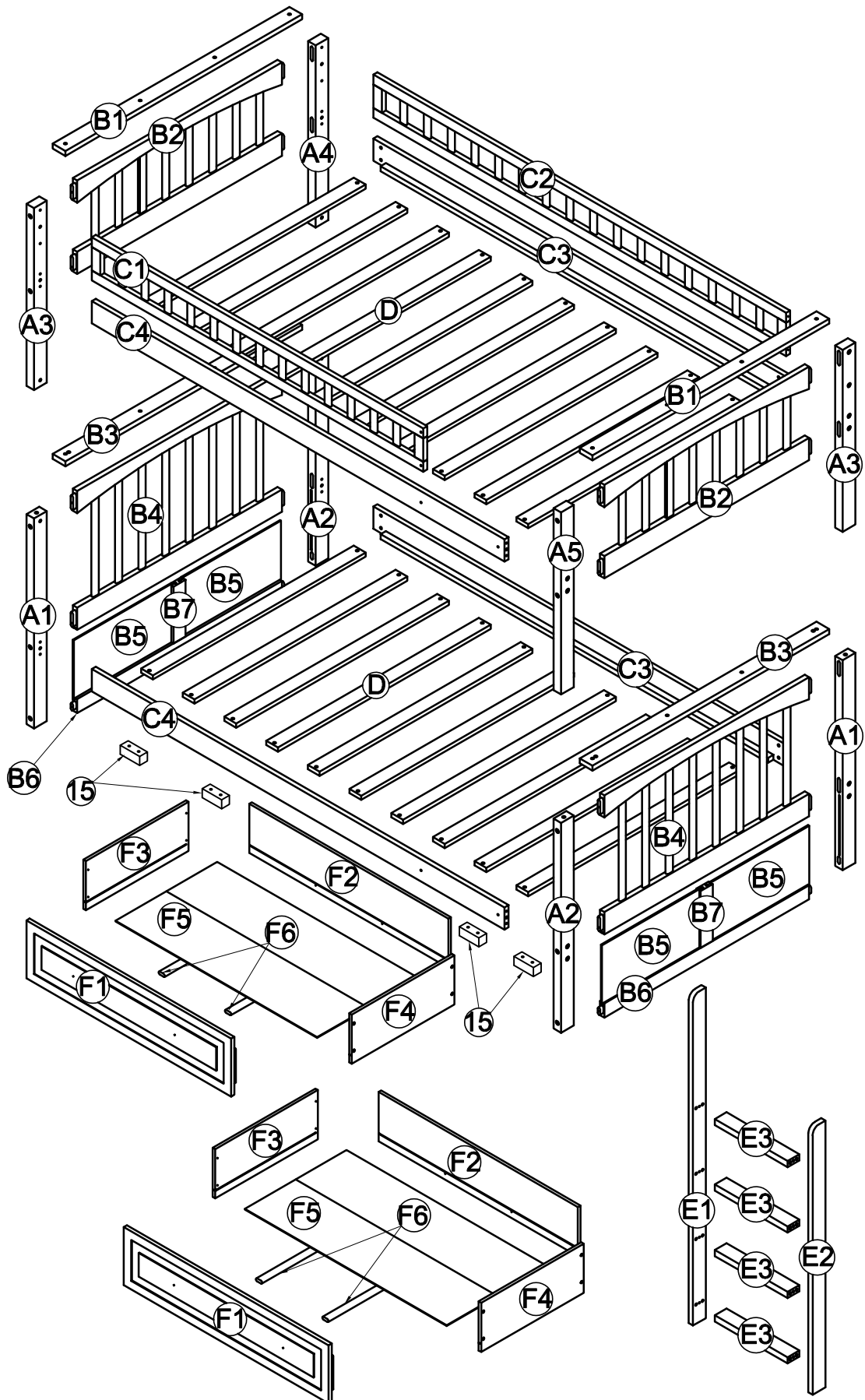
SAFETY WARNINGS

1. Follow the information on the warning label appearing on the upper bunk end structure and on the carton... Do not remove warning label from bed.
2. Always use the recommended size mattress or mattress support, or both, to help prevent the likelihood of entrapment or falls.
3. Surface of mattress must be at least 5 inches below the upper edge of guard rails.
4. Do not allow children under 6 years to use the upper bunk.
5. Prohibit more than one person on upper bunk.
6. Periodically check and ensure that the guardrail, ladder, and other components are in their proper position, free from damage, and that all connectors are tight.
7. Do not allow horseplay on or under the bed and prohibit jumping on the bed.
8. Always use the ladder for entering and leaving upper bunk.
9. Do not use substitute part. Contact the manufacturer or dealer for replacement part.
10. Use of night light may provide added safety precaution for a child using the upper bunk.
11. If the bunk bed will be placed next to a wall, the guardrail that runs the full length of the bed should be placed against the wall to prevent entrapment between the bed and the wall.
12. Always use guardrail on both long sides of the upper bunk.
13. The use of water or sleep flotation mattresses is prohibited.
14. Keep these instruction for future reference.
15. Strangulation Hazard - Never attach or hang items to any part of the bunk bed that are not designed for use with the bed, for example, but not limited to hooks, belts and jump rores.
16. Trundle : Only use for mattress 6 inch.






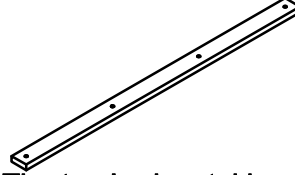
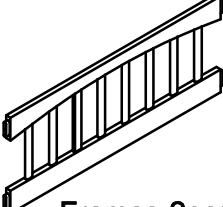
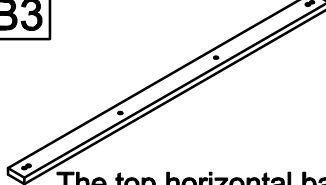
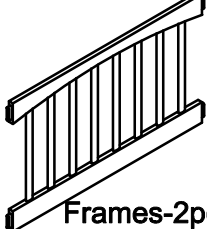
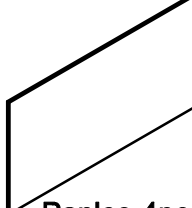
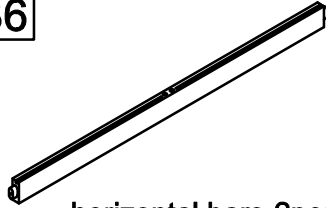

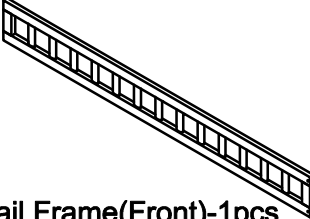
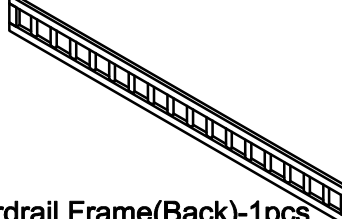
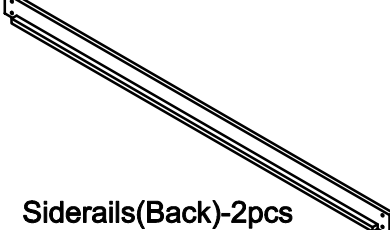
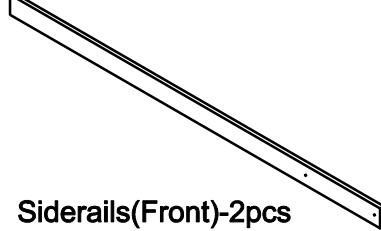
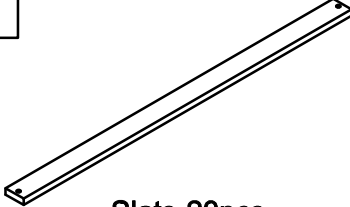



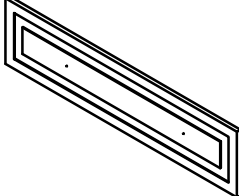
PLEASE DO NOT RETURN PRODUCT TO THE STORE

if you have any problem or concerns, please feel free to contact our customer service department. We will reply you as soon as possible.


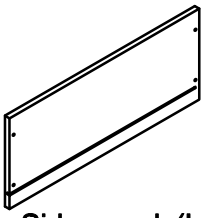
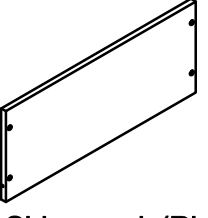
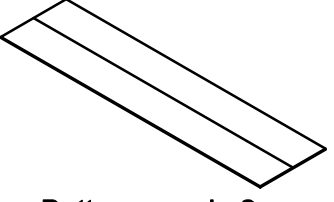
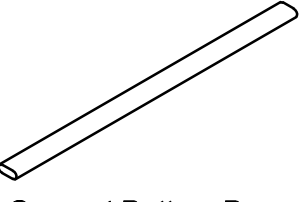
ASSEMBLY INSTRUCTION



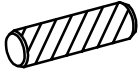


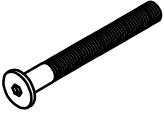

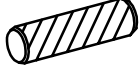
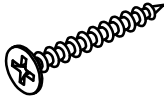

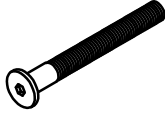


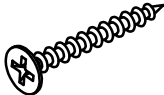
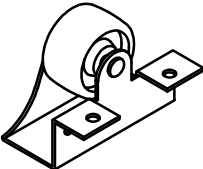

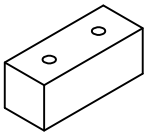
Part List

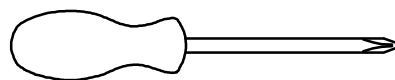
<p>A1</p>  <p>Legs(Bottom)-2pcs</p>	<p>A2</p>  <p>Legs(Bottom)-2pcs</p>	<p>A3</p>  <p>Legs(Upper)-2pcs</p>
<p>A4</p>  <p>Leg(Upper)-1pcs</p>	<p>A5</p>  <p>Leg(Upper)-1pcs</p>	<p>B1</p>  <p>The top horizontal bar of the upper bed-2pcs</p>
<p>B2</p>  <p>Frames-2pcs</p>	<p>B3</p>  <p>The top horizontal bar of the lower bed-2pcs</p>	<p>B4</p>  <p>Frames-2pcs</p>
<p>B5</p>  <p>Panles-4pcs</p>	<p>B6</p>  <p>horizontal bars-2pcs</p>	<p>B7</p>  <p>Vetical bars-2pcs</p>
<p>C1</p>  <p>Guardrail Frame(Front)-1pcs</p>	<p>C2</p>  <p>Guardrail Frame(Back)-1pcs</p>	<p>C3</p>  <p>Siderails(Back)-2pcs</p>
<p>C4</p>  <p>Siderails(Front)-2pcs</p>	<p>D</p>  <p>Slats-20pcs</p>	<p>E1</p>  <p>Side Ladder-1pcs</p>
<p>E2</p>  <p>Side Ladder-1pcs</p>	<p>E3</p>  <p>Step Ladders-4pcs</p>	<p>F1</p>  <p>Drawer-Front panels-2pcs</p>

Part List

F2  Drawer-Back panels-2pcs	F3  Drawer-Side panels(Left)-2pcs	F4  Drawer-Side panels(Right)-2pcs
F5  Drawer-Bottom panels-2pcs	F6  Drawer-Support Bottom Bars-4pcs	

Hardware List

<p>1</p>  <p>Ø10 x 40 mm Wood dowel 34pcs</p>	<p>2</p>  <p>Screws 1/4" x70 26pcs</p>	<p>3</p>  <p>M4 x 30 mm Wood Screws 84pcs</p>
<p>4</p>  <p>Ø1/4" x 80 mm Hex-Head bolts 16pcs</p>	<p>5</p>  <p>Ø1/4" x 13 mm Horizontal-Hole bolts 16pcs</p>	<p>6</p>  <p>Ø12 x 110 mm Wood dowel 4pcs</p>
<p>7</p>  <p>M4 x 20 mm Wood Screws 8pcs</p>	<p>8</p>  <p>Screws 1/4" x50 8pcs</p>	<p>9</p>  <p>Ø1/4" x 30 mm Hex-Head bolts 6pcs</p>
<p>10</p>  <p>Ø1/6" x 25 mm Hex-Head bolts 4pcs</p>	<p>11</p>  <p>Handle Wood 4pcs</p>	<p>12</p>  <p>M3.5x 12 mm Wood Screws 24pcs</p>
<p>13</p>  <p>Wheels 8pcs</p>	<p>14</p>  <p>Allen Key 1pc</p>	<p>15</p>  <p>Drawer Stopper 4pcs</p>






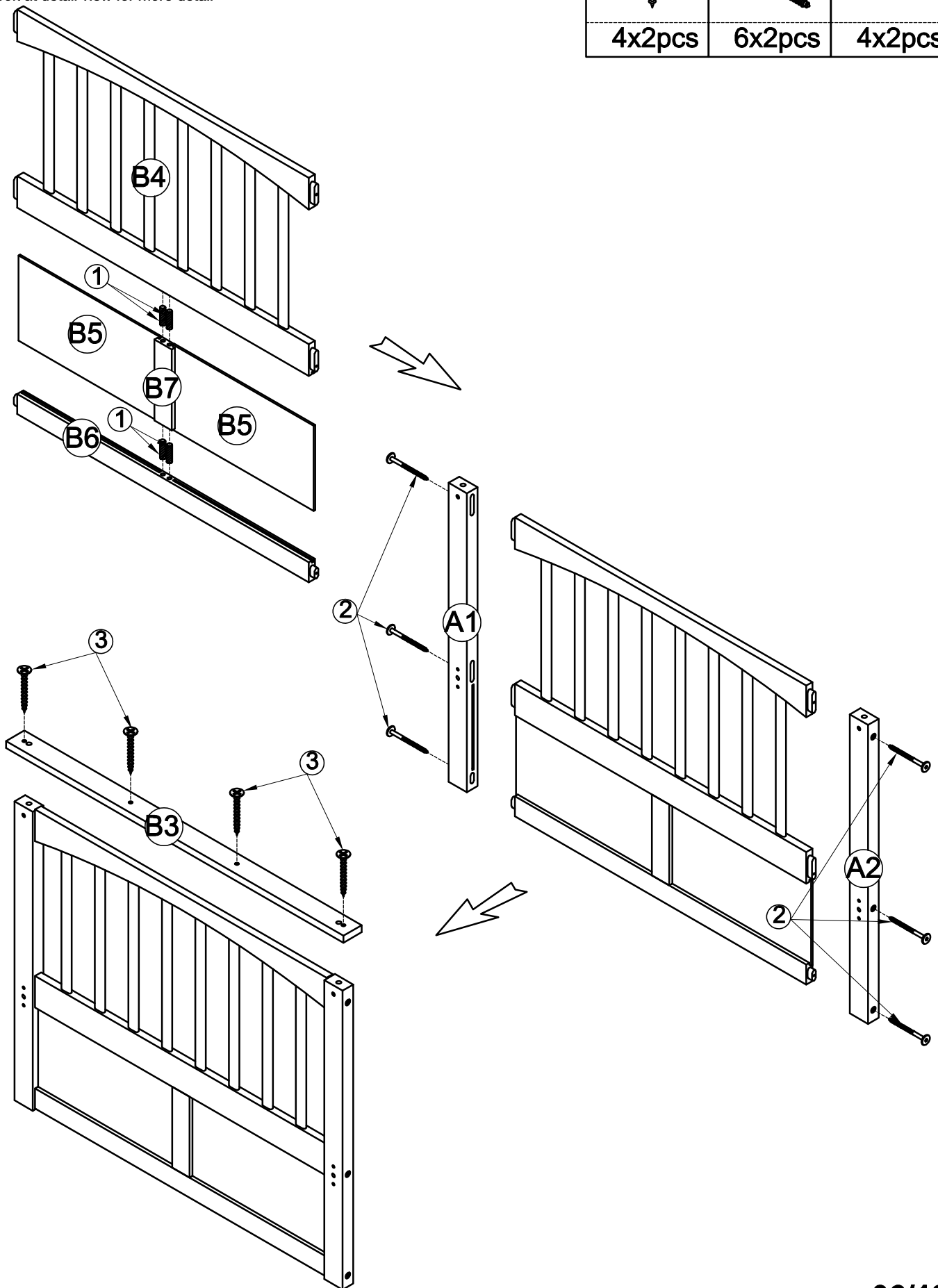
Assembly Tools Required (Not Included)

STEP 1: Following below illustration Assembly Footboard and Headboard.

Using hardware #2.#3 and dowel #1 to complete Footboard and Headboard.


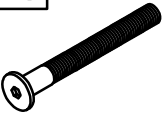

Look at detail view for more detail

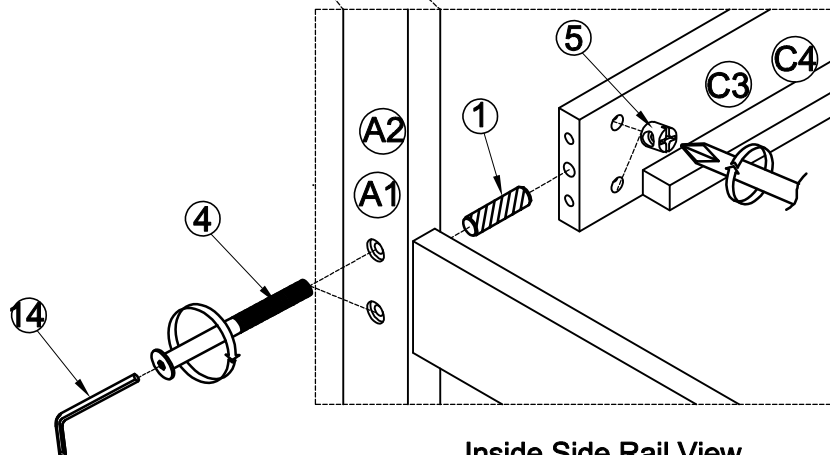
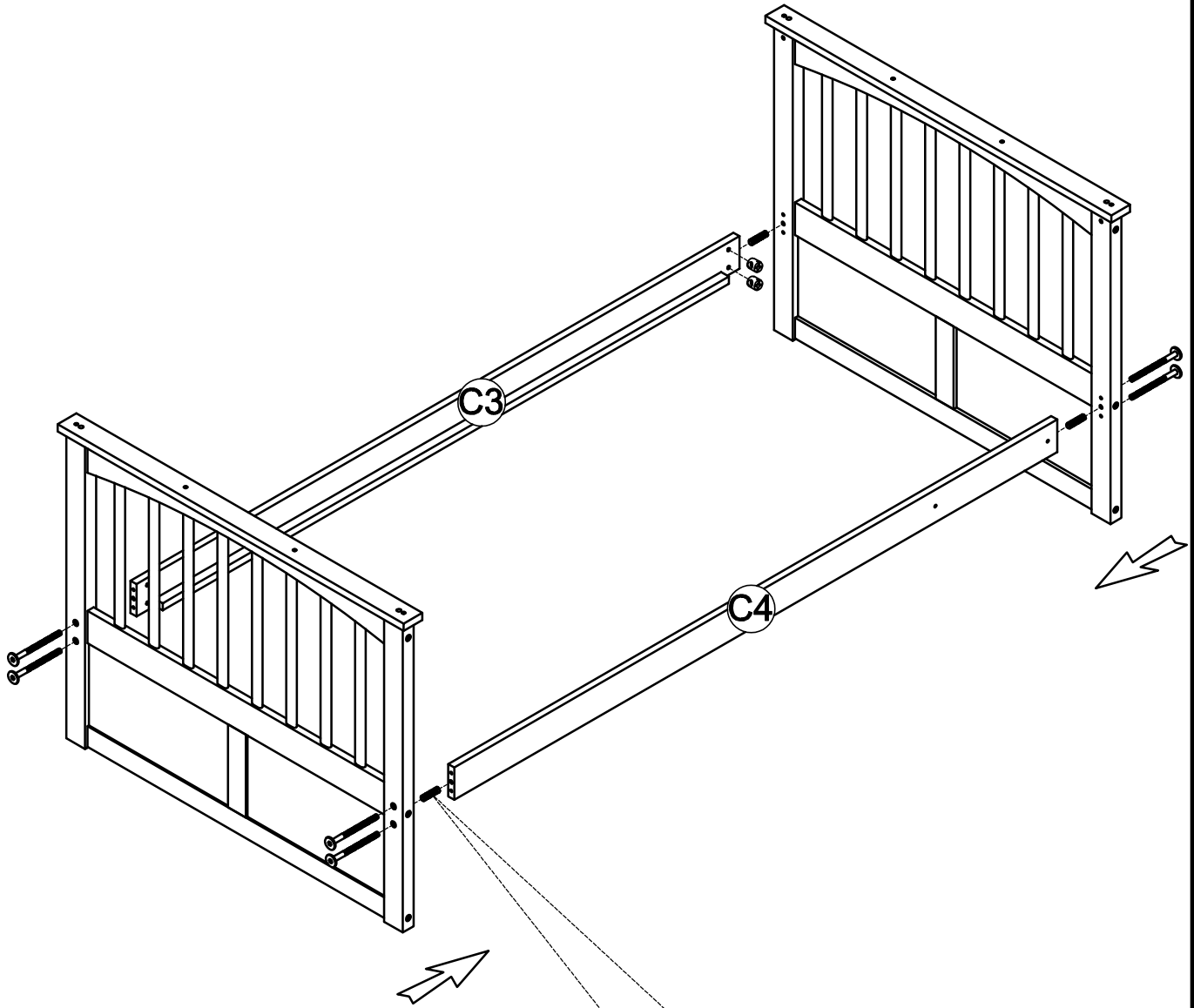
3		2		1	
	4x2pcs		6x2pcs		4x2pcs



STEP 2:

Following below illustration Using hardware #4, #5 and dowel #1 follow detail view to Assembly Bottom bed's Headboard and Footboard with siderail C3,C4.Look at detail view for more detail

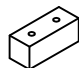

5	4	1
		
8pcs	8pcs	4pcs

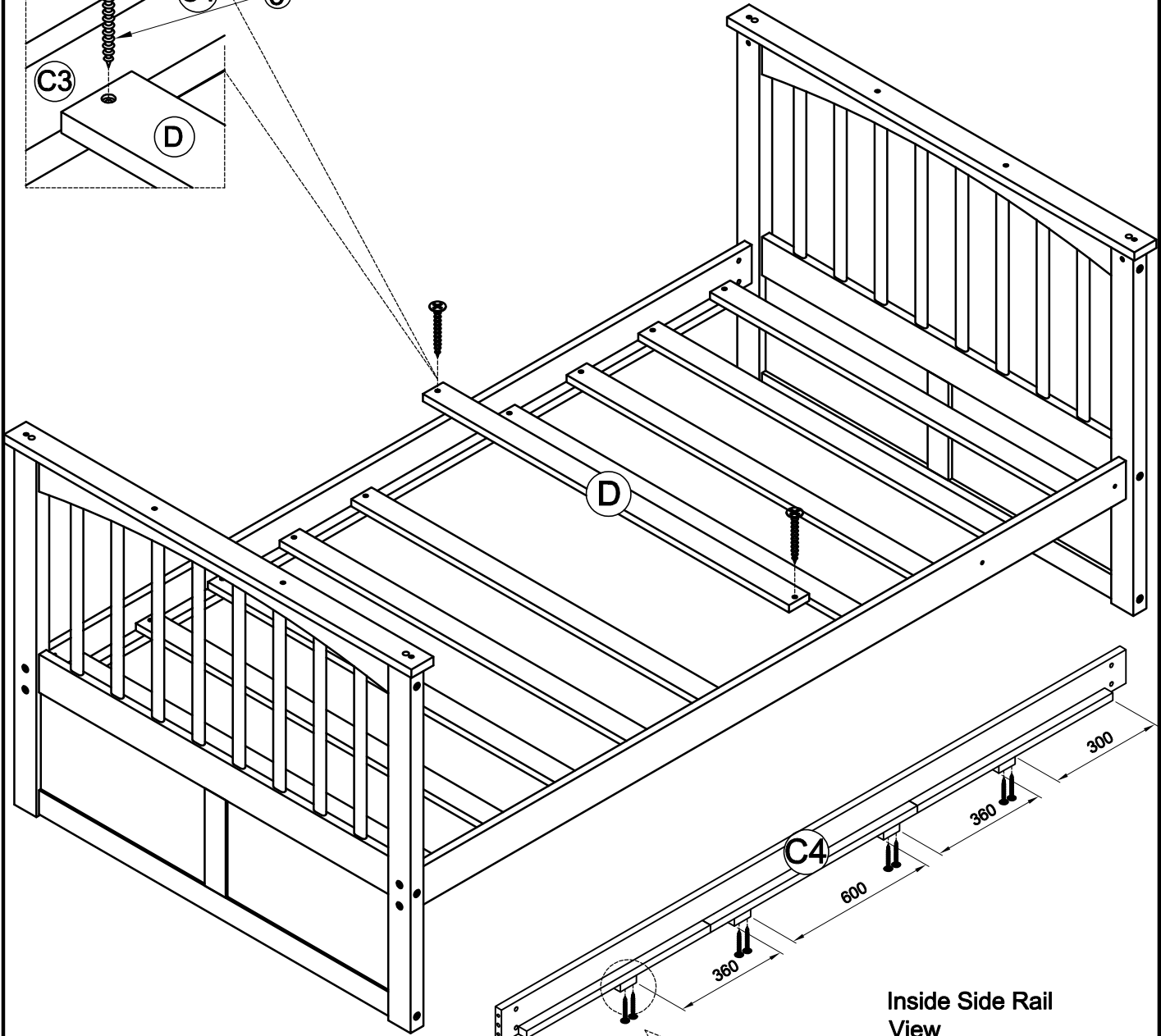
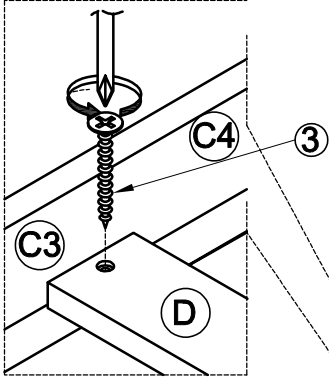


Inside Side Rail View

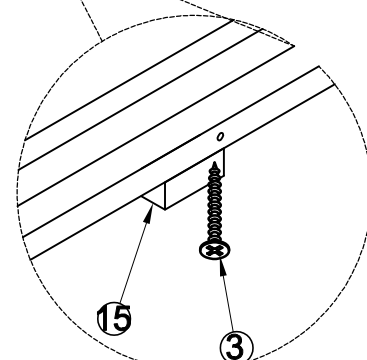
STEP 3: Following below illustration:

- Screw 10 slats D with Side Rail C3,C4 by using hardward #3.
- Using hardward #3 to screw wood block #15 underneath of front siderail
- Look at detail view for more detail

15	3
	
4(pcs)	28(pcs)





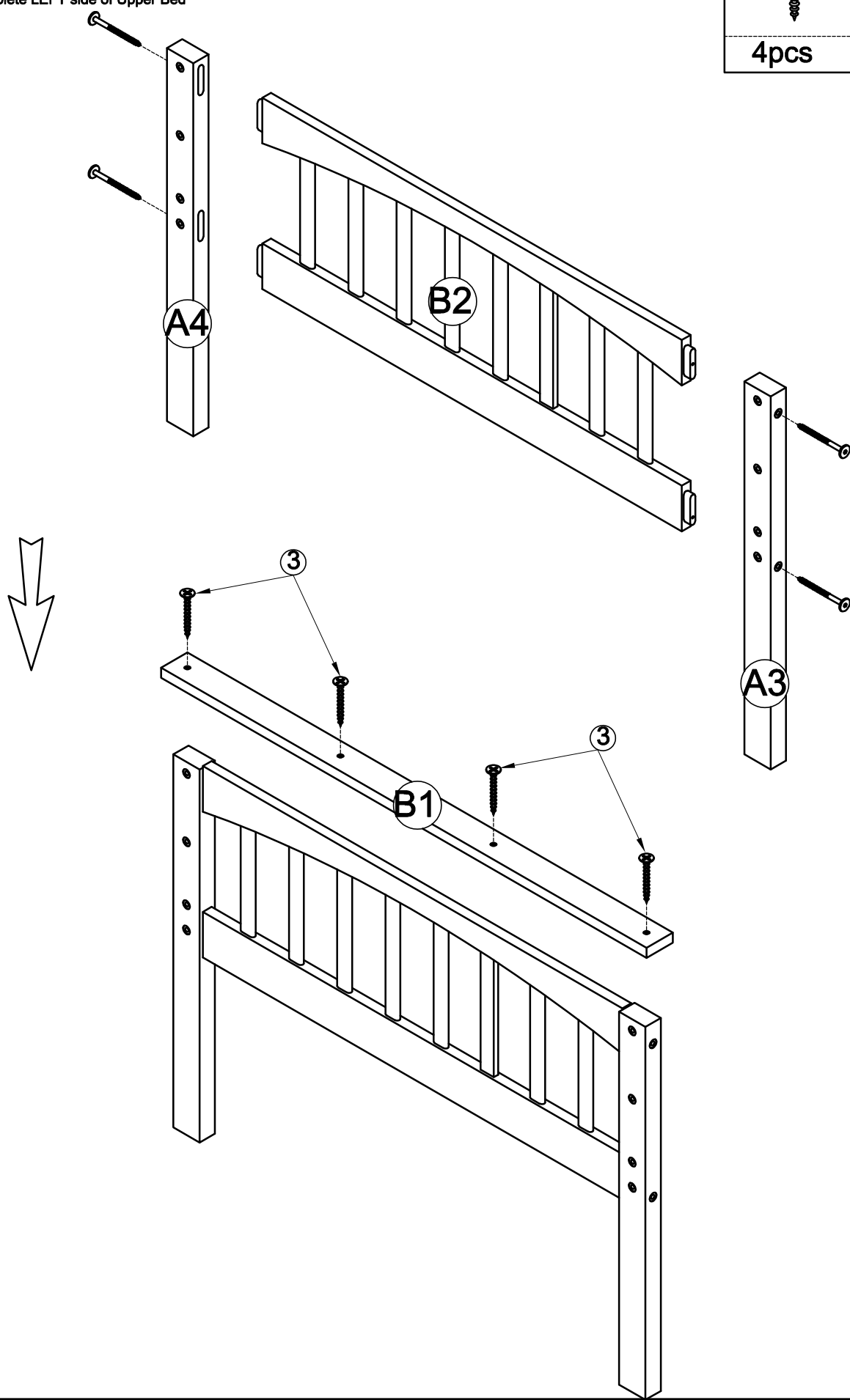
Inside Side Rail View





STEP 4: Following below illustration Assembly Upper bed's Headboard. Using hardware #2 connect

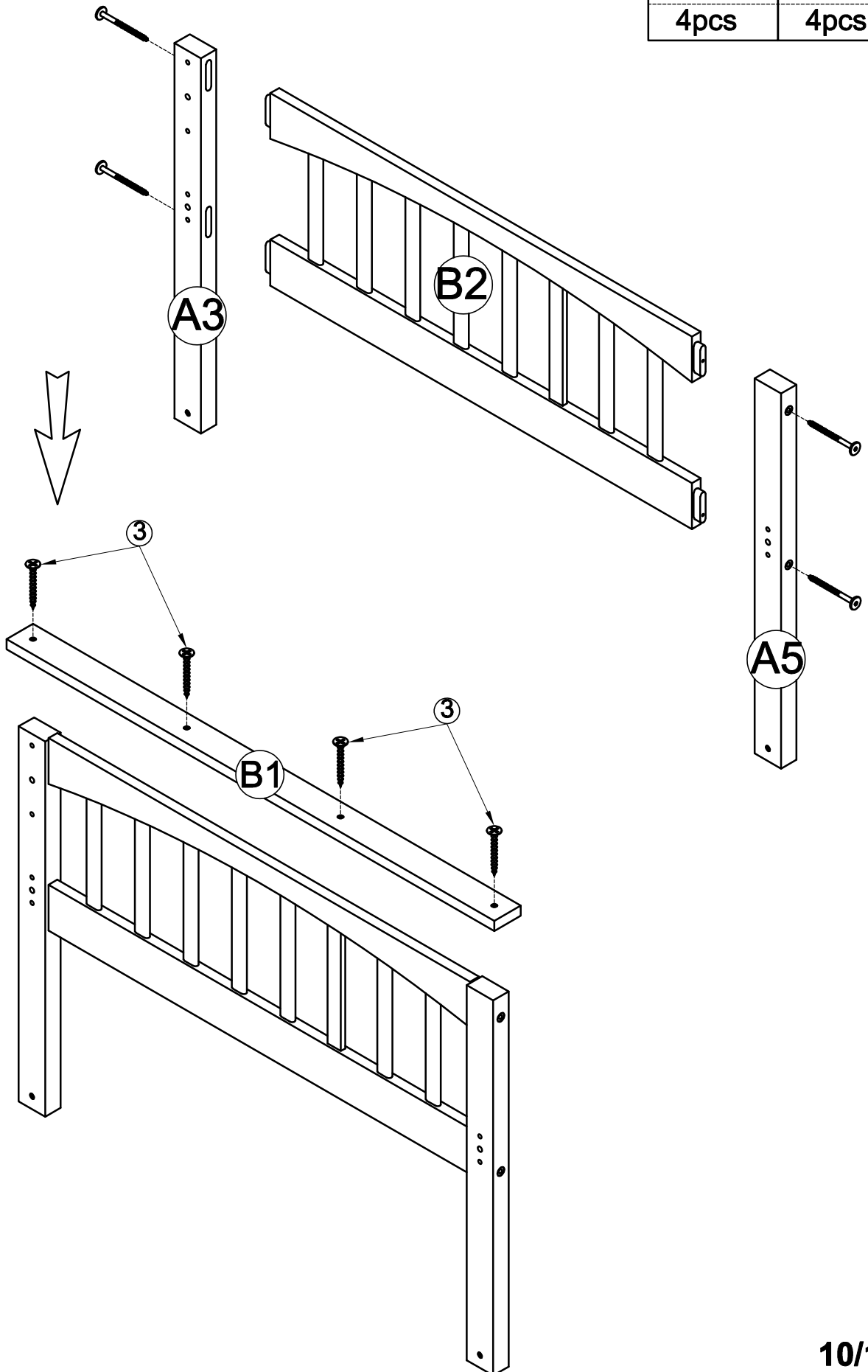
A3 and A4 legs with B2 Frame. Using hardware #3 connect B1 Woodbar with B2 Frame, A3, A4 legs to complete LEFT side of Upper Bed

3		2	
4pcs		4pcs	


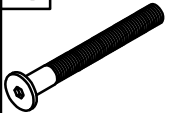




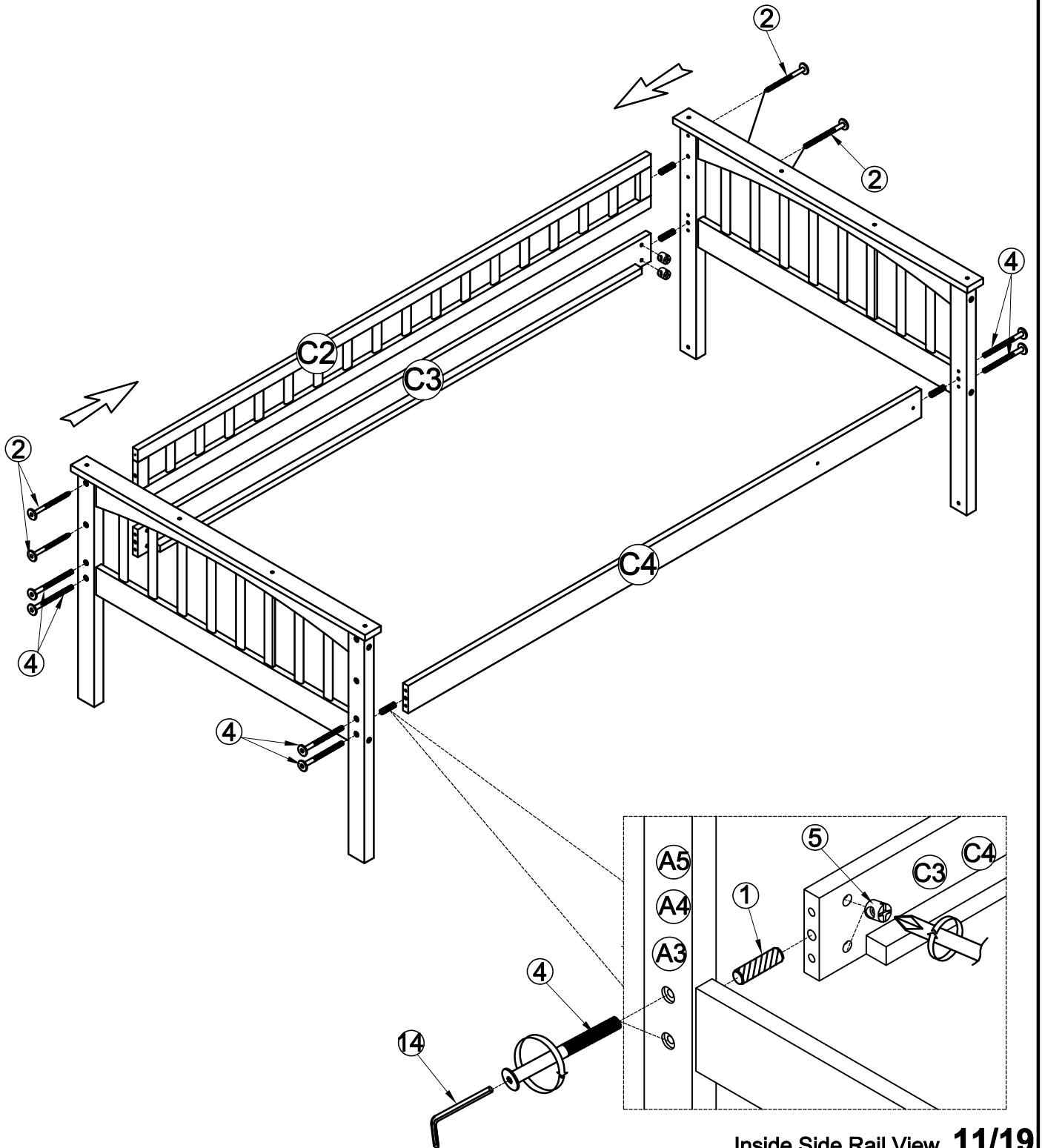
STEP 5: Following below illustration Assembly Upper bed's Footboard. Using hardware #2 connect A3 and A5 legs with B2 Frame. Using hardware #3 connect B1 Woodbar with B2 Frame, A3, A5 legs to complete RIGHT side of Upper Bed

3		2	
4pcs		4pcs	



STEP 6: Following below illustration Using hardware #4,#5,#2 and dowel #1 follow detail view to Assembly Upper bed's Headboard and Footboard with siderail C3,C4 and Guardrail Frame C2.Look at detail view for more detail

5  8pcs	4  8pcs	1  6pcs
2  4pcs		



STEP 7:

Following below illustration:

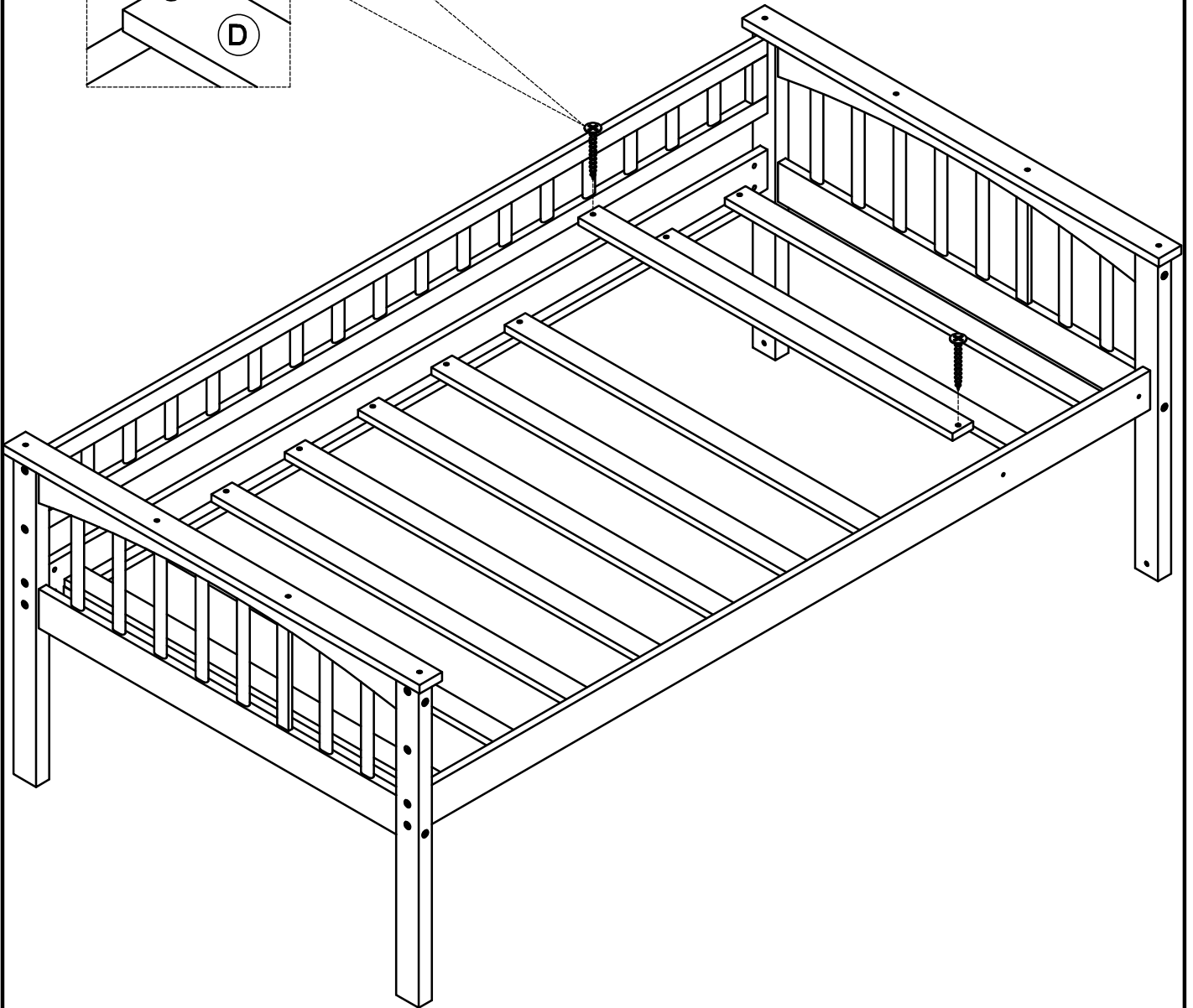
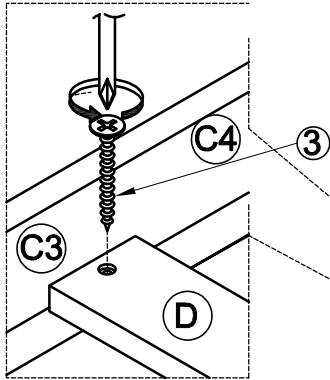
-Screw 10 slats D with Side Rail C3,C4 by using hardward #3.

-Look at detail view for more detail

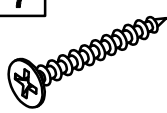
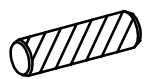
3

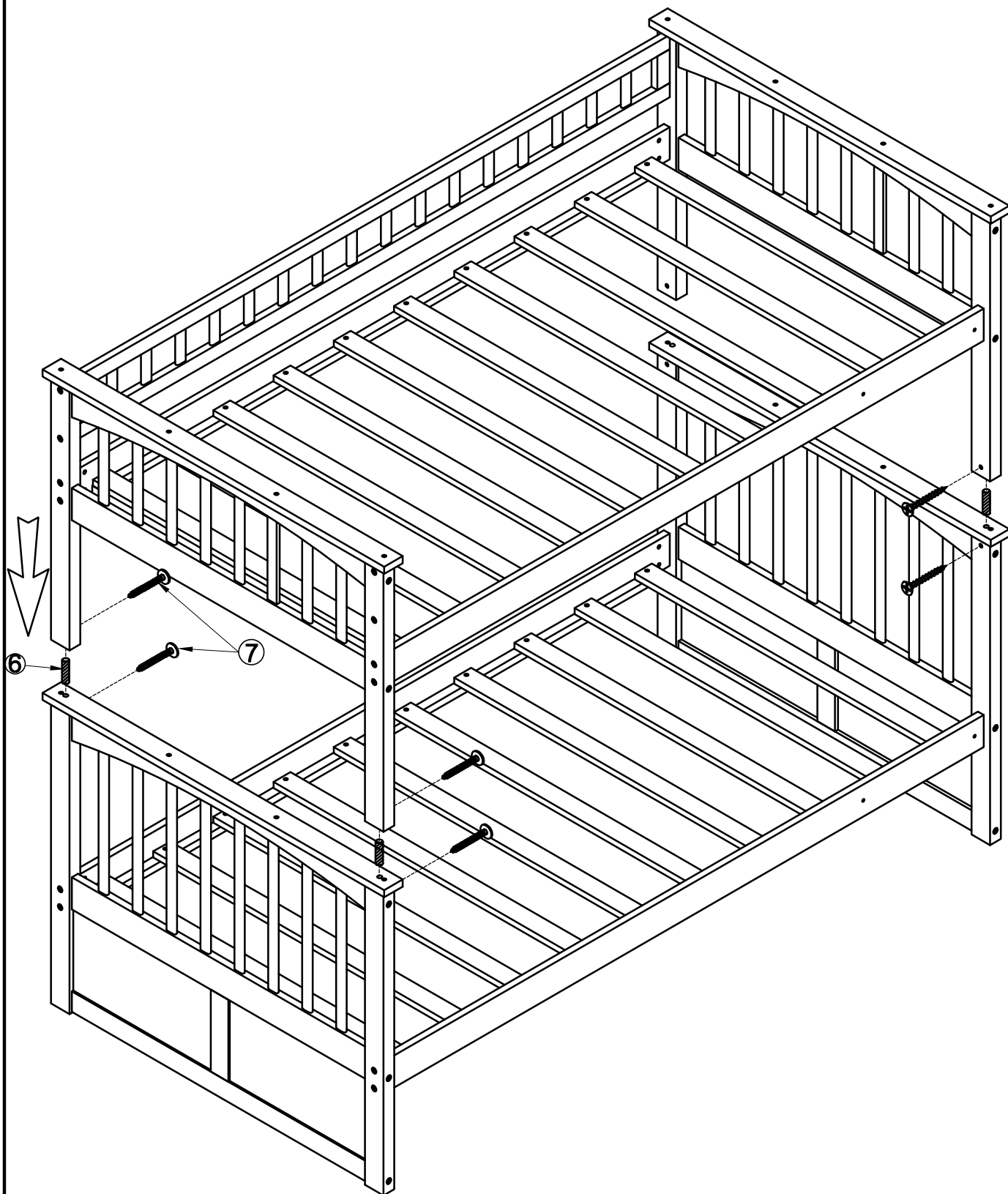


20(pcs)





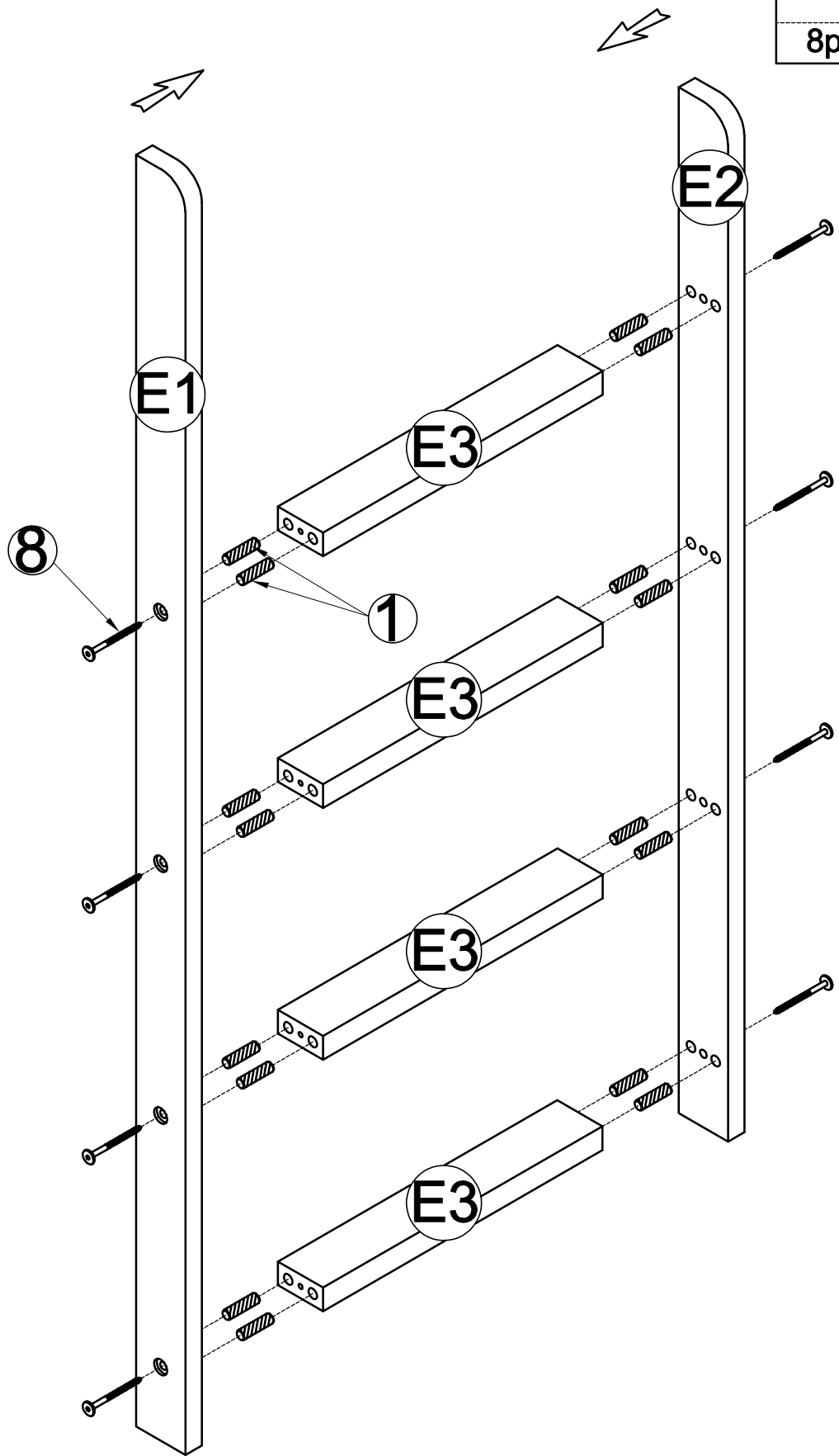
STEP 8: Following below illustration. Lay the Upper Bed (Completed on step 7) on Bottom Bed (Completed from step 3). Using the Dowel #6 to connect head of Bottom Bed legs with end of Upper Bed legs. Then use Screw #7 to permanent fix Upper and Bottom Bed

7	6
	
8(pcs)	4(pcs)





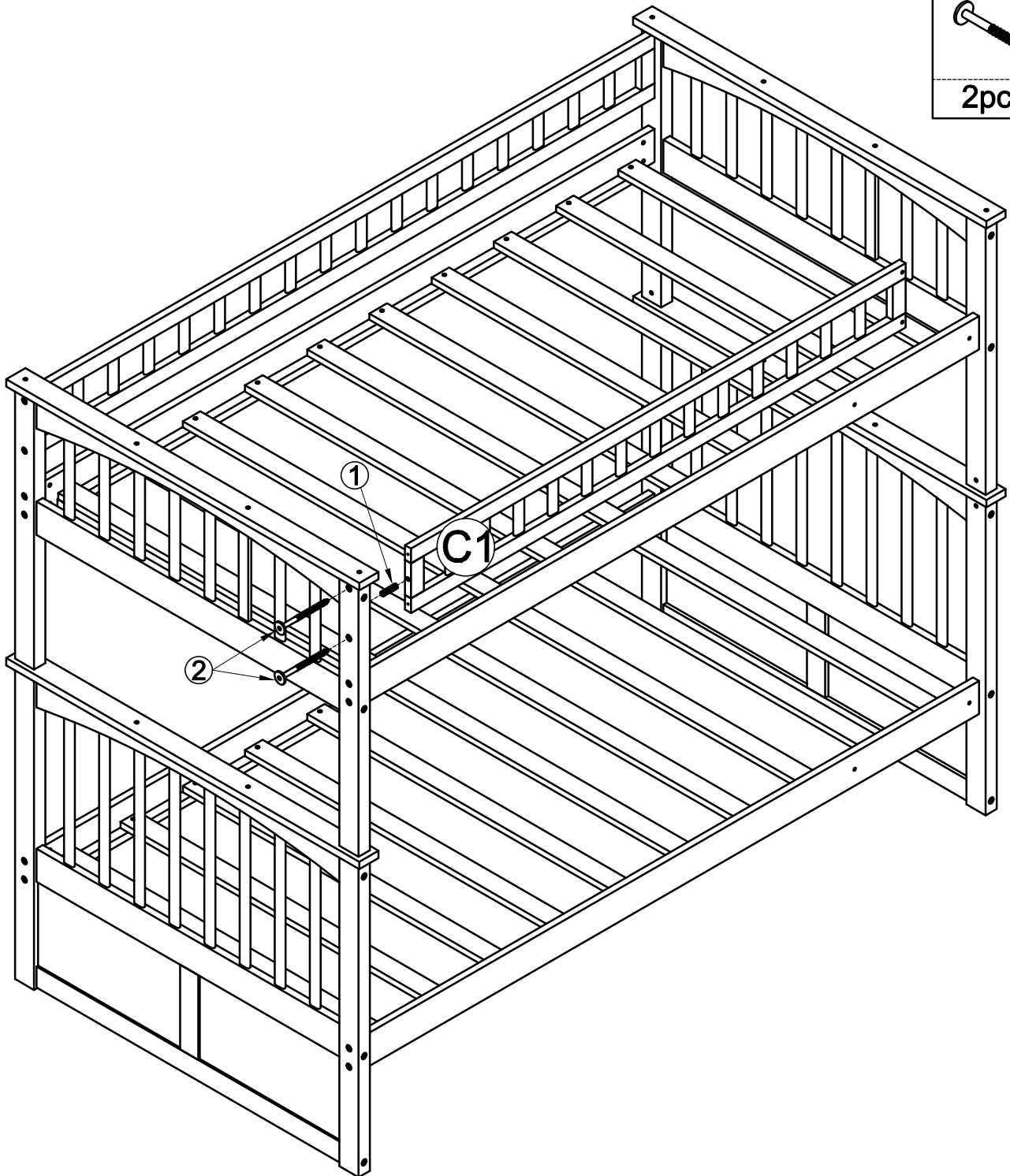
STEP 9: ASEMBLY LADDER

8	1
	
8pcs	16pcs



STEP 10-1: Following below illustration Using hardware #2 and dowel #1 follow detail view to Assembly Frame(Completed on step 8) with Guardrail Frame C1.Look at detail view for more detail

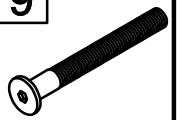
- | | |
|---|---|
| 1 |  |
| | 1pcs |
| 2 |  |
| | 2pcs |



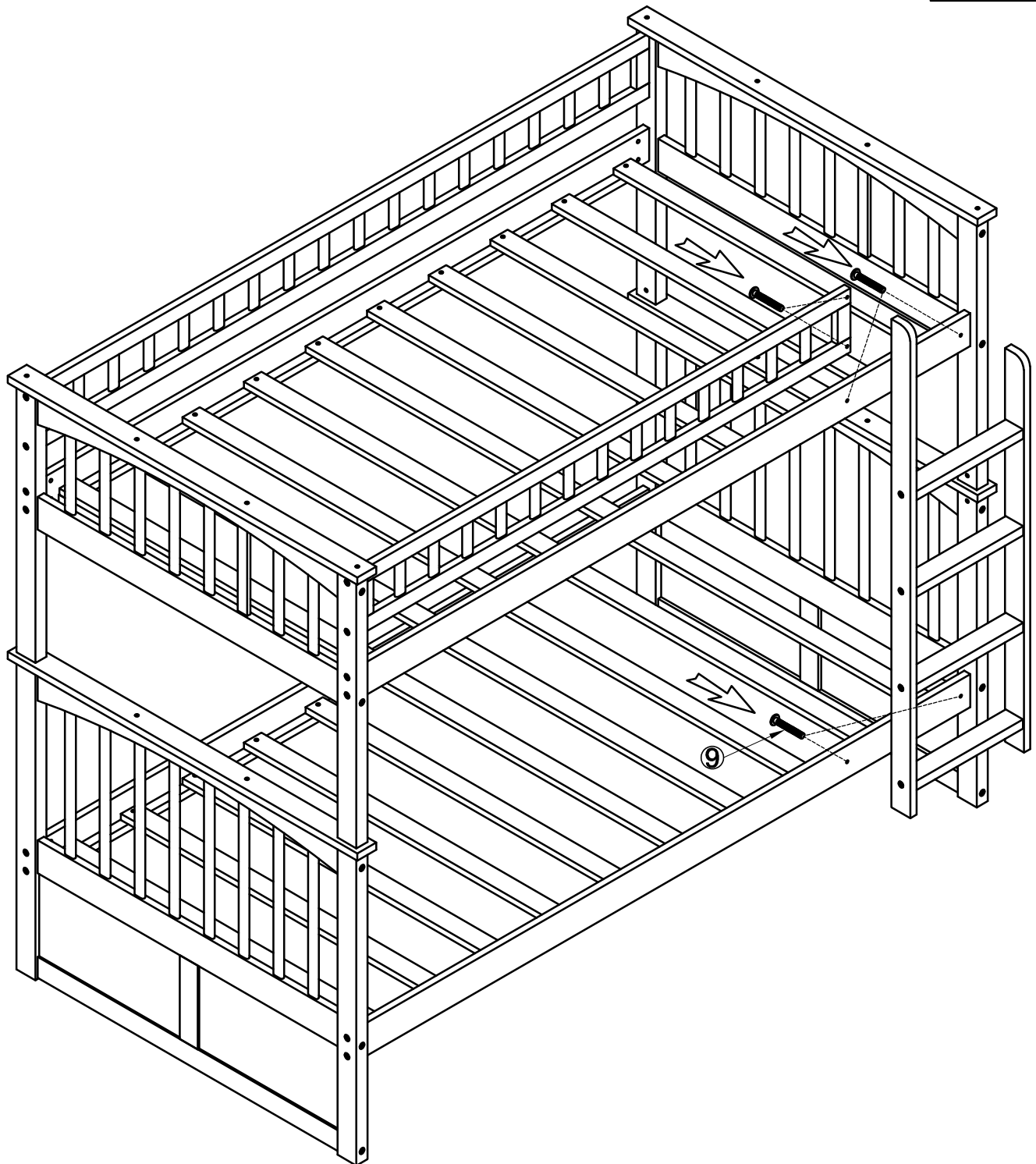
STEP 10-2: Following below illustration.

Using hardware #9 connect Frame(Completed on step 10-1) with Ladder (Completed on step 9).
Look at detail view for more detail

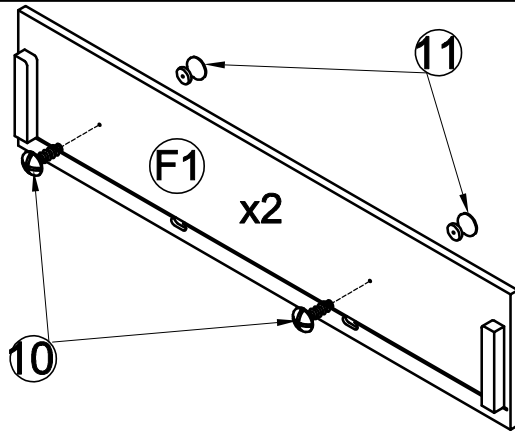
9





6pcs

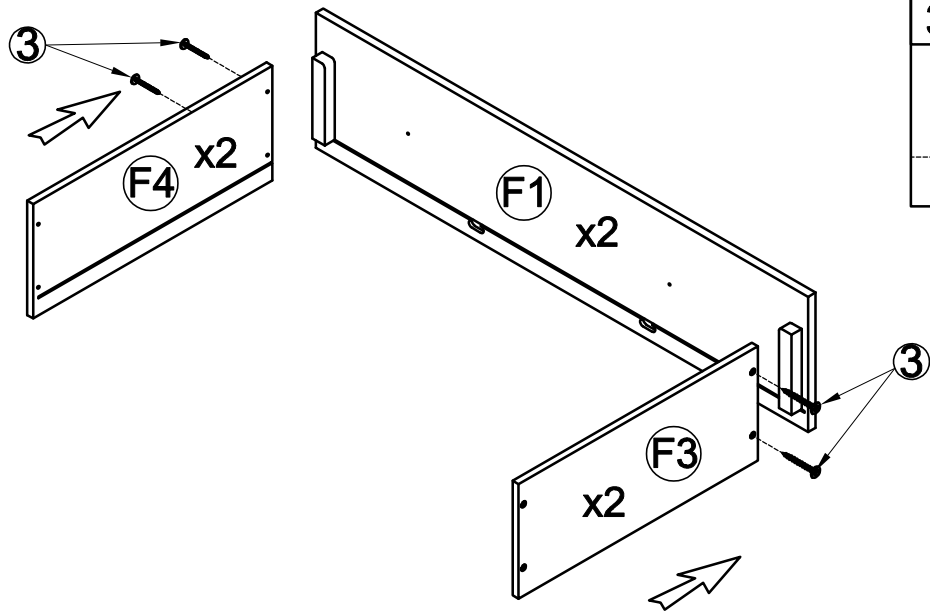


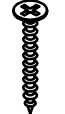
STEP 11-1:



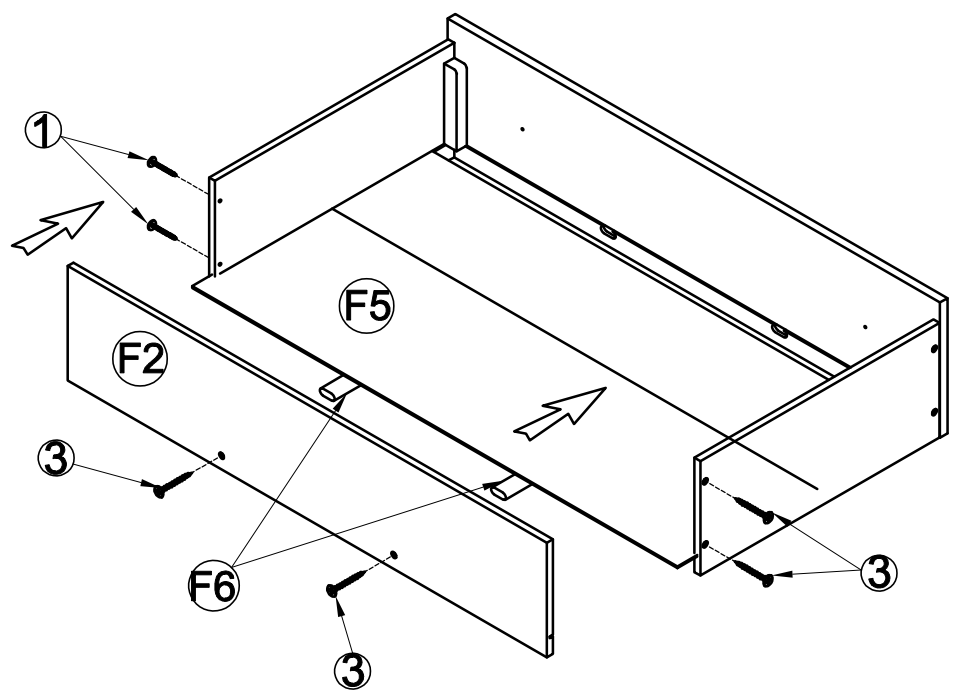
11	10
	
2x2(pcs)	2x2(pcs)

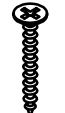
STEP 11-2:



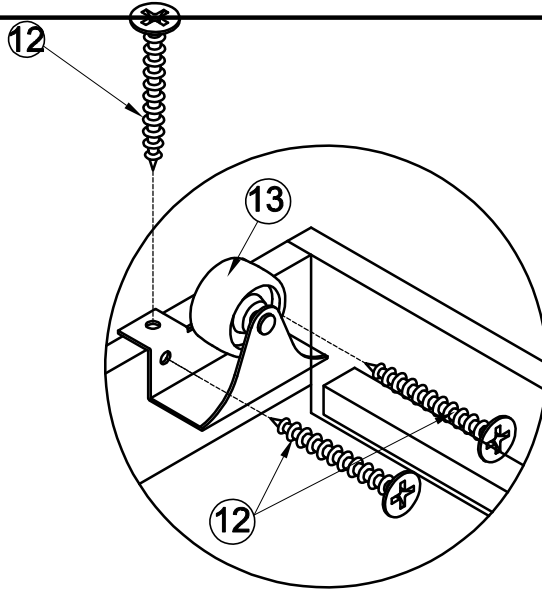
3

4x2(pcs)

STEP 11-3:

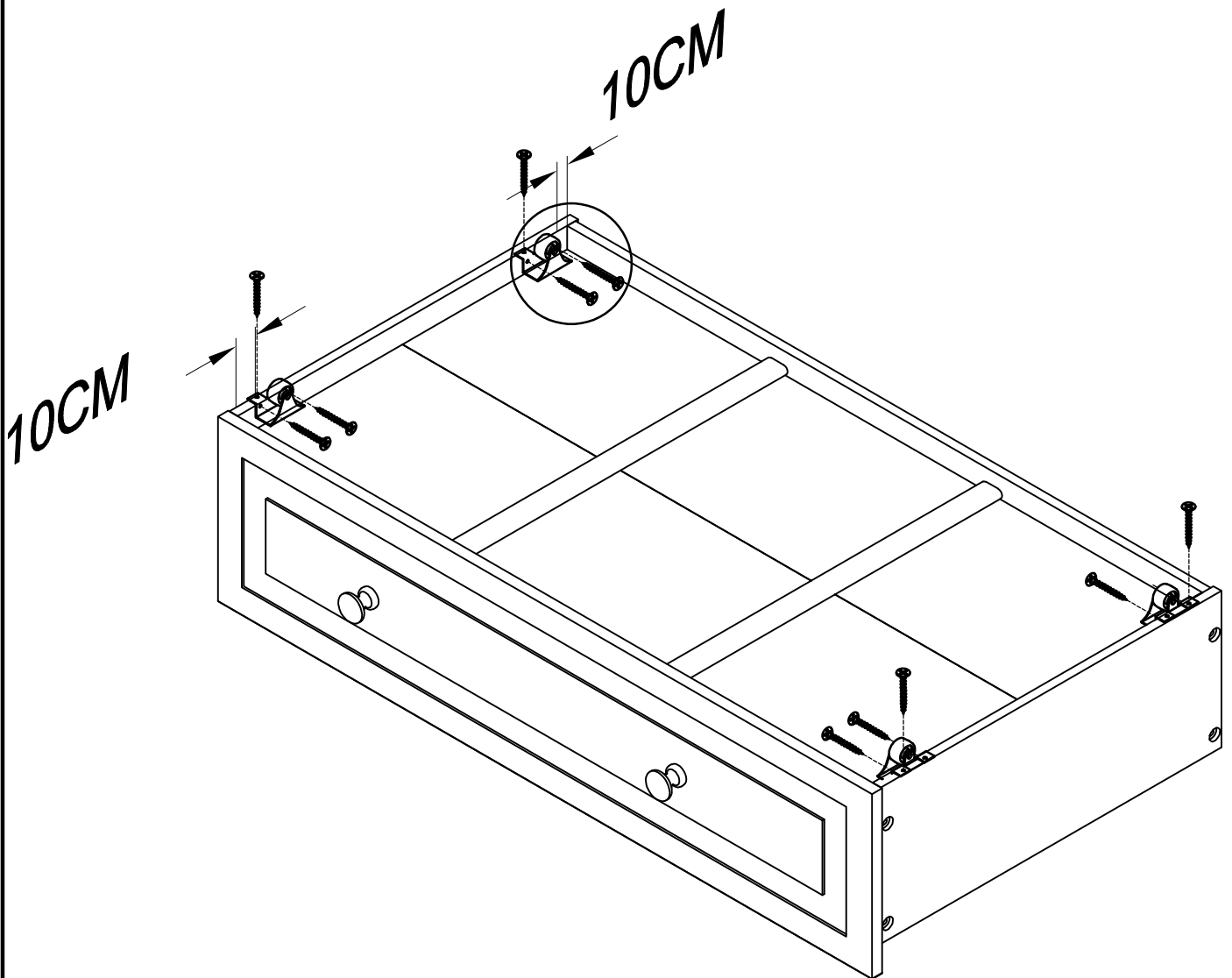


3

6x2(pcs)

STEP 11-4



13	12
4x2(pcs)	12x2(pcs)



STEP 12: CONGRARULATION. YOU HAVE COMPLETED THE BED.

just one more step to push 2 Drawer into it position

