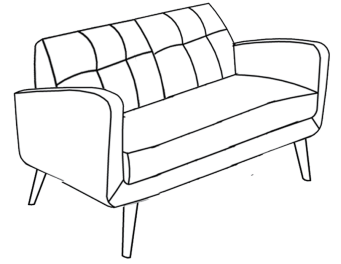


Sofa Assembly Instructions


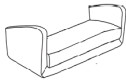

Your sofa comes packaged in one box

DO NOT use any sharp objects to open plastic wrapped components as damage to product or components may result.






Carefully remove all of the components from the packaging and set aside for assembly. Assemble on a soft surface to prevent scratching the finish.



Parts List

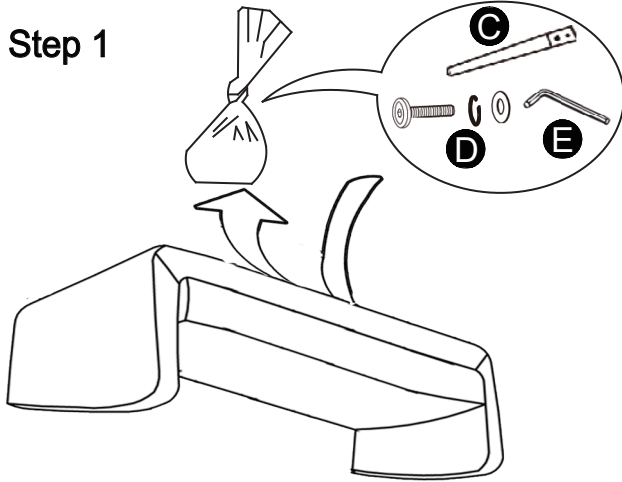
- A** 1 x Back 
- B** 1 x Seat 
- * **C** 4 x Legs 

Hardware List

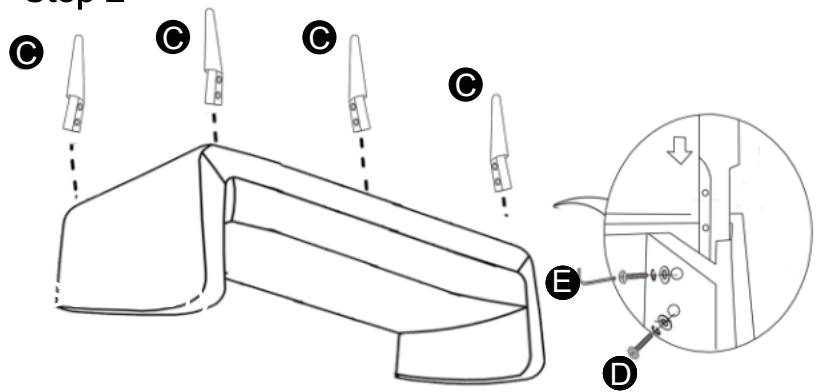
- * **D** 8 x Bolts with Lock Washers & Flat washers  M8 x 50mm  M8  M8
- * **E** 1 x Hex Key  M6 x 100mm
- * Replaceable Parts  Hardware bag can be found under the seat .

Assembly

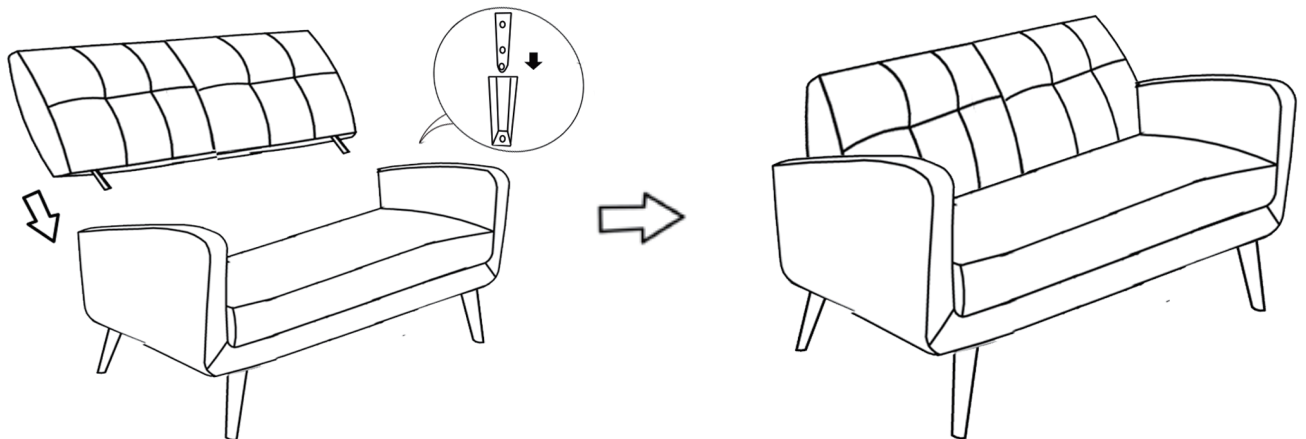
Step 1



Step 2



Step 3



Your style may differ from images. Care for your furniture by periodically tightening all bolts using the included hex key.

CAUTION: Tighten all components securely before use. Failure to do so may result in personal injury.

About your furniture piece:

- Softening of foam is natural and will happen over time with use.
- Fabric will fade or discolor in direct sunlight. Minimize exposure to direct sunlight to extend the life of your furniture.
- Wood grain, knots, streaks, and color variation occur naturally in wood and are not considered defects.