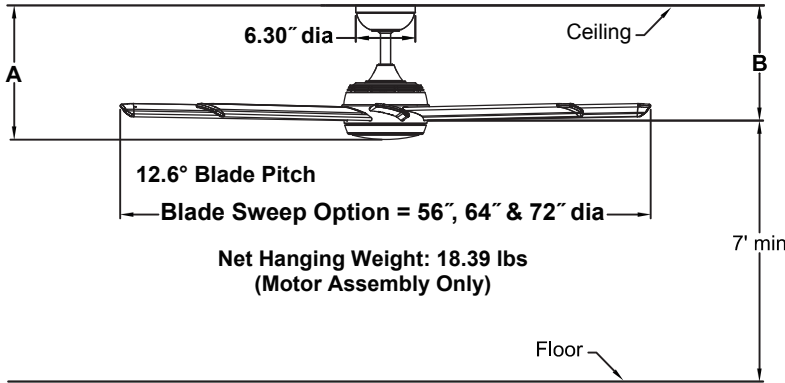


STELLAR™ CUSTOM

MAD7997** Ceiling Fan



	A	B
Fan w/6" downrod	14.61"	12.61"
Fan w/12" downrod	20.61"	18.61"
Fan w/18" downrod	26.61"	24.61"
Fan w/24" downrod	32.61"	30.61"
Fan w/36" downrod	44.61"	42.61"
Fan w/48" downrod	56.61"	54.61"
Fan w/60" downrod	68.61"	66.61"
Fan w/72" downrod	80.61"	78.61"

INSTALLATION REQUIREMENTS:

Fan must be attached to a securely anchored electrical junction box capable of withstanding a load of at least 35 lbs.

ELECTRICAL REQUIREMENTS:

Requires a grounded electrical supply line of 120 volts AC, 60 Hz, 15 amp circuit.

MOTOR SPECS:

DC153 x 25 sensorless ferrite sintered DC motor is designed for optimal performance with this fan.

BLADES:

A set of eight 25", 29" and 33" aluminum blades—sold separately.

LIGHTING OPTIONS:

One 18-watt LED included.

CONTROL OPTIONS:

TR205 hand-held remote control is included. Push button remote control with variable fan speeds, fresh air, reverse, infinite light levels, fan/light timer, home away, safe exit and off button. Optional TW206 wall control is available—sold separately. Instruction is provided with each control.

DOWNROD OPTIONS:

Fan comes with 1" dia. x 6" long wet-location downrod (DR1SS-6). Optional wet-location downrods are available in 12", 18", 24", 36", 48", 60", and 72" lengths. A downrod coupler is available for installations requiring a downrod longer than 72". Fan can be mounted on a sloped ceiling up to 27°. Most sloped ceiling installations require a downrod longer than the standard 24" downrod. Optional sloped ceiling ball kits (SCB1-52) are available for slope angles greater than 27° and up to 42°. Call technical support for more information.

LOCATION USE:

Fan is rated for dry, damp and wet locations.

Available Finishes

Fan / Housing

BLW	Black with Silver Top Plastic Ring and bottom Glass Ring and Black Steel Cap
SLW	Silver with Black Top Plastic Ring and bottom Glass Ring and Silver Steel Cap

Blades Options

- Black with Silver Tips
- Silver with Black Tips

Airflow / Energy Efficiency Info (120V)

Energy Star test with B7997-72 Blade in 72" sweep

Fan Speed	Max RPM	CFM	CFM / Watts	Amps	Watts
High	93	12074	337	0.44	36
Med	64	8298	715	0.16	12
Low	30	4157	1453	0.05	3

Energy Guide FTC

Measured with B7997-72 Blade in 72" sweep

Power (W _{ave})	Total Air Delivery (CFM _{ave})	Estimated Yearly Energy Cost (\$)	Ceiling Fan Efficiency (CFM/W)
23	8034	7	346

Light Bulb Information (120V)

Bulb Type	Watts	QTY	Lumens Amount	Color Temp	CRI
LED	18	1	1400	3000	90%