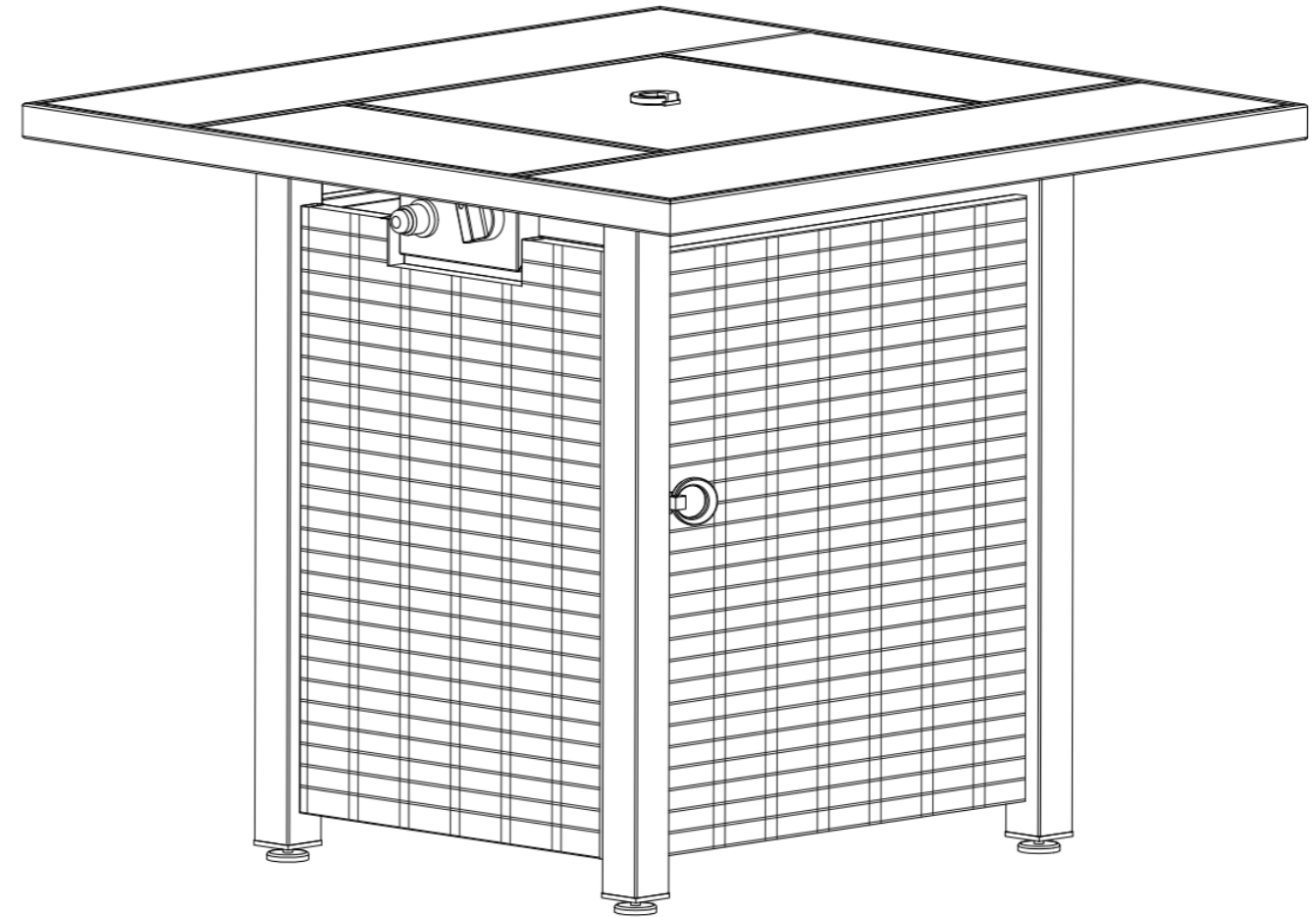




30" Fire Pit Table with Cover



WARNINGS & INSTRUCTIONS
ADVERTENCIAS E INSTRUCCIONES

MODEL: AF30C-01

CONTENTS

Assembly Instruction	1-6
General Information and Instructions	7-9
Operating Instructions	10-12
Cleaning and Maintenance.....	13
Troubleshooting	14-15
Warranty and Service	16

WARNING

FOR OUTDOOR USE ONLY

DANGER

If you smell gas:

1. Shut off gas supply to the appliance.
2. Extinguish any open flame.
3. If odor remains, keep away from the appliance and immediately call fire department.

NOTE: Read all instructions prior to assembly and use. Failure to follow the instructions in this manual could result in bodily injury and/or property damage, personal injury or death.

WARNING

1. The installation must conform with local codes or, in the absence of local codes, with either the National Fuel Gas Code, ANSI Z223.1/NFPA 54.
2. Do not store or use gasoline or other flammable liquids or vapors in the vicinity of this or any other appliance.
3. An LP cylinder not connected for use shall not be stored in the vicinity of this or any other appliance.

CAUTION

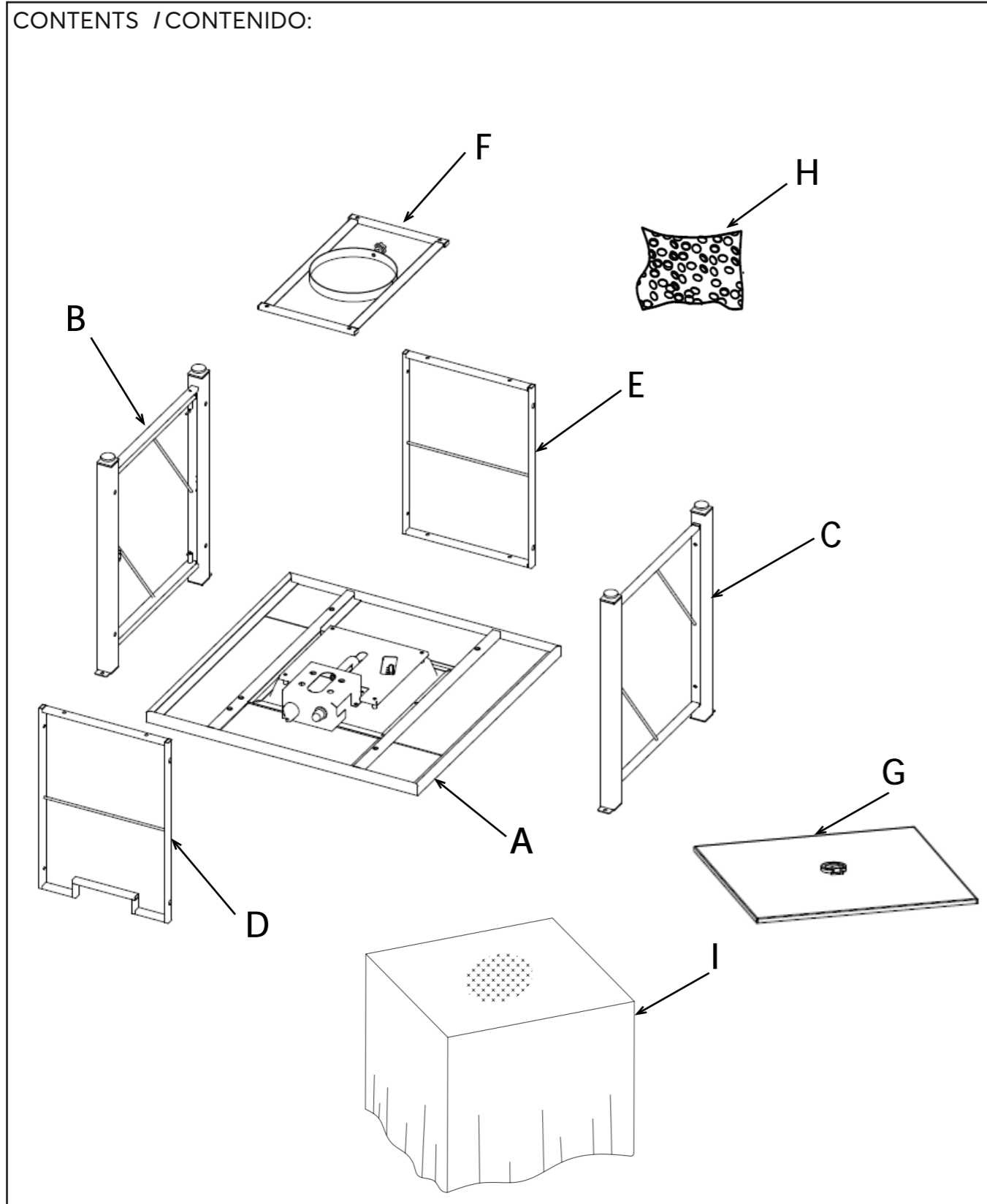
1. Please keep this manual for future reference.
2. DO NOT operate this appliance unattended.
3. Do not store or use gasoline or other flammable vapors and liquids within 25 feet [7.62m] of this or any other appliance, combustible material, including but not limited to gasoline, and other flammable vapors and liquids, wood, dry plants and grass, brush, paper, and canvas.
4. This propane fire pit table is not to be installed or used in or on recreational vehicles and/or boats.
5. DO NOT use gasoline, kerosene, or alcohol for lighting. Use propane gas only (propane gas cylinder not included).
6. DO NOT paint or color any part of this heating unit.
7. DO NOT use the fire pit table unless it is completely assembled, and all parts are securely fastened and tightened.
8. DO NOT use this fire pit table if any parts have been under water.
9. DO NOT use this appliance on or under apartment or condominium balcony or deck, garage or any other enclosed area.
10. DO NOT obstruct the air flow for combustion and ventilation.
11. DO NOT set the protective cover over the unit until it is turned off and completely cools down.
12. DO NOT lean over this outdoor fire table when lighting or when it is in use.
13. DO NOT attempt to move the appliance when rain, hail, sleet or other precipitation happen. Immediately turn off the burner and gas supply, then cover this fire pit table.
14. Clean and inspect the hose before each use. If there is evidence of abrasion, wear, cuts, or leaks, the hose must be replaced before operating the appliance. The replacement hose assembly must be as per the manufacturer specifications specified.
15. Always use this fire pit table on a hard, level non-combustible surface such as concrete, rock or stone.
16. Keep the appliance's valve compartment, burners, and circulating air passages clean. Inspect the appliance before each use.
17. Before each use, remove the fire glass beads. Examine the burner and its components. If dirty, clean with a soft brush and soapy water solution. Also examine the area around the burner. Any dirt or other material, such as spider webs or nests in this area should be removed. If the burner shows any kind of damage, do not operate the appliance. For assistance with repair or replacement of the burner or any other parts, please contact us at service@outermust.com.
18. If a fire should occur, keep away from the appliance and immediately call your fire department. DO NOT attempt to extinguish with water. Use a Type BC dry chemical fire extinguisher or smother fire with dirt, sand or baking soda.



READ ALL SAFETY WARNINGS AND INSTRUCTIONS IN THE OWNER'S MANUAL BEFORE ASSEMBLING OR OPERATING YOUR GRILL.

LEA TODAS LAS ADVERTENCIAS DE SEGURIDAD E INSTRUCCIONES DEL MANUAL DEL PROPIETARIO ANTES DE MONTAR O PONER EN FUNCIONAMIENTO SU PARRILLA.

CONTENTS / CONTENIDO:



PARTS DIAGRAM

Item	Description	Qty.
A	Fire Pit Table Top	1
B	Side Panel A	1
C	Side Panel B (self-assembly required)	1
D	Side Panel	1
E	Side Panel	1
F	LP Cylinder Rack	1
G	Fire Pit Table Lid	1
H	Fire Glass	1
I	Cover	1

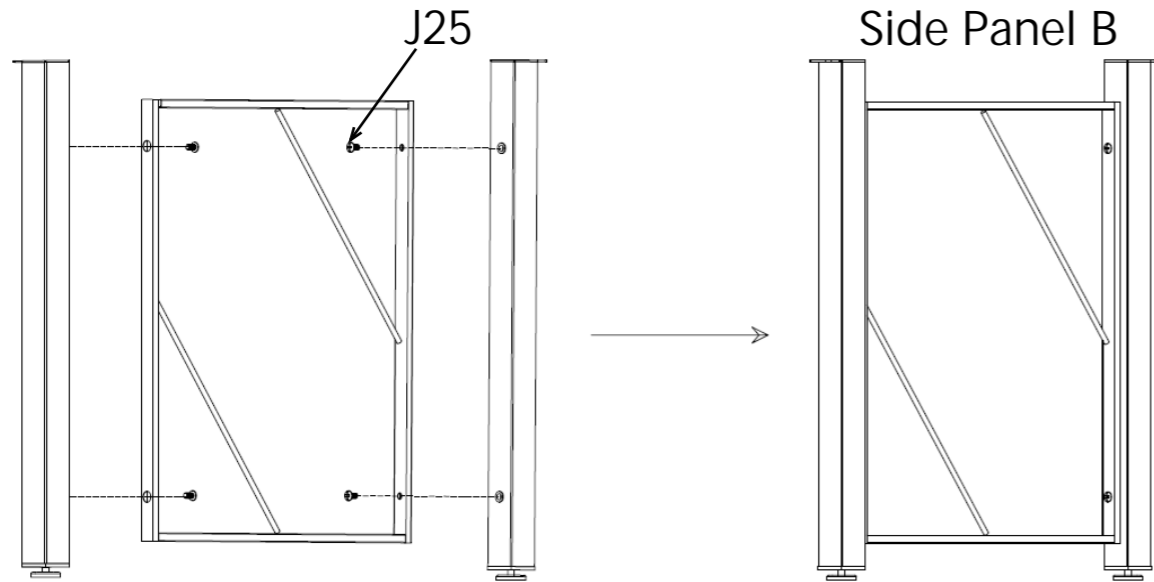
▲ Two-person assembly recommended
 ▲ Se recomienda el montaje por dos personas

Tool required:
 Herramientas
 necesarias:



Part#	Diagram	Description	Qty.
J16		M6*16 bolt	4
J25		M6*25 bolt	12
J35		M6*35 bolt	4
S6		Flange lock nut	4

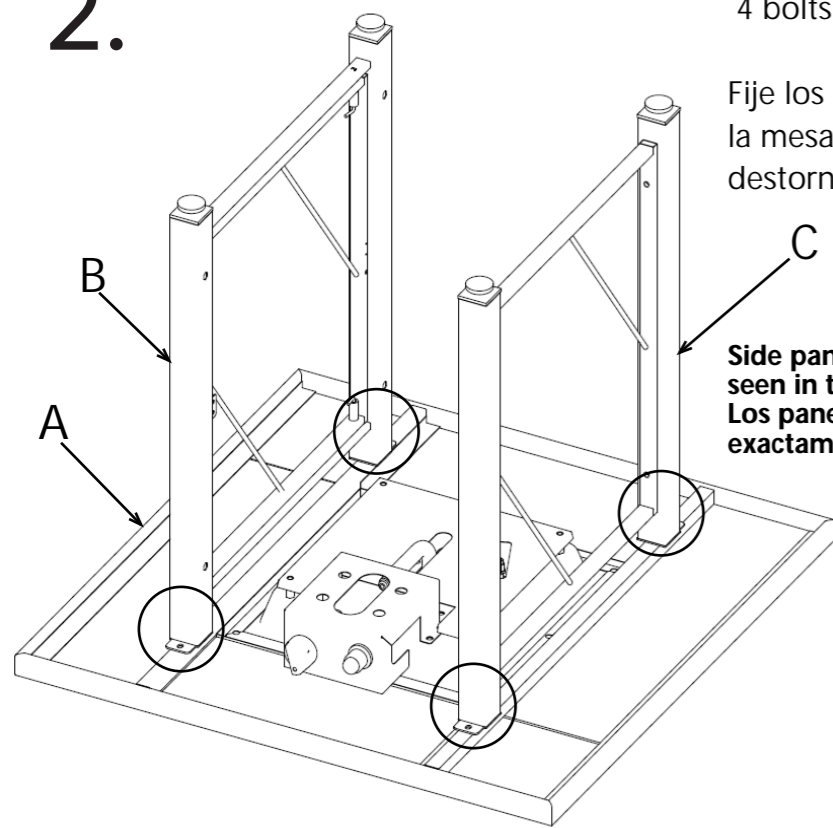
1.



Attach side panel frame to side panel foot to form side panel B, with 4 bolts (J25) using Phillips screwdriver.

Fije el marco del panel lateral al pie del panel lateral para formar el panel lateral B, con 4 pernos (J25) utilizando un destornillador Phillips.

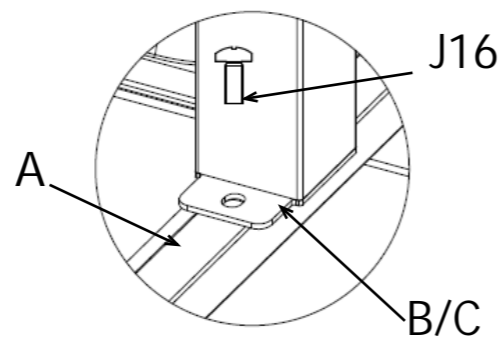
2.



Attach side panels (B&C) to table top (A) with 4 bolts (J16) using Phillips screwdriver.

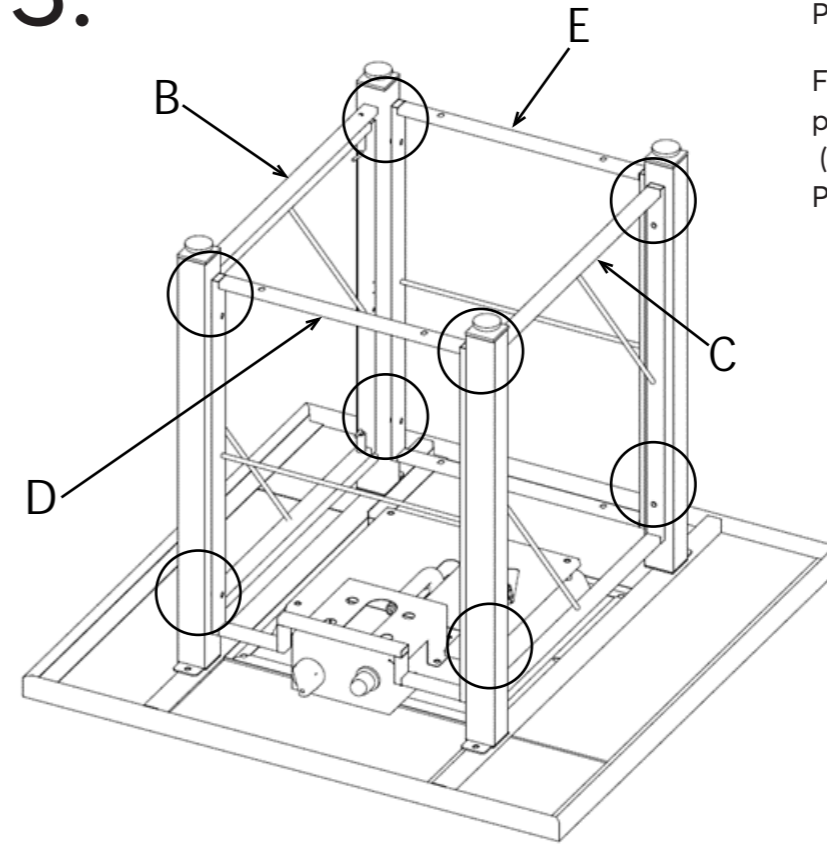
Fije los paneles laterales (B&C) al tablero de la mesa (A) con 4 pernos (J16) utilizando un destornillador Phillips.

Side panel B and C are to be placed exactly as seen in the diagram.
Los paneles laterales B y C deben colocarse exactamente como se ve en el diagrama.



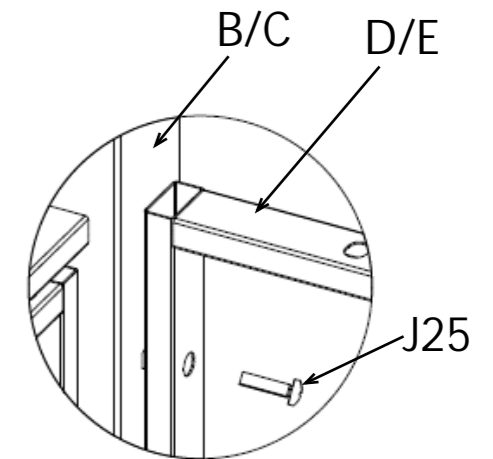
NOTE: DO NOT tighten the screws completely.
NOTA: NO apriete los tornillos completamente.

3.

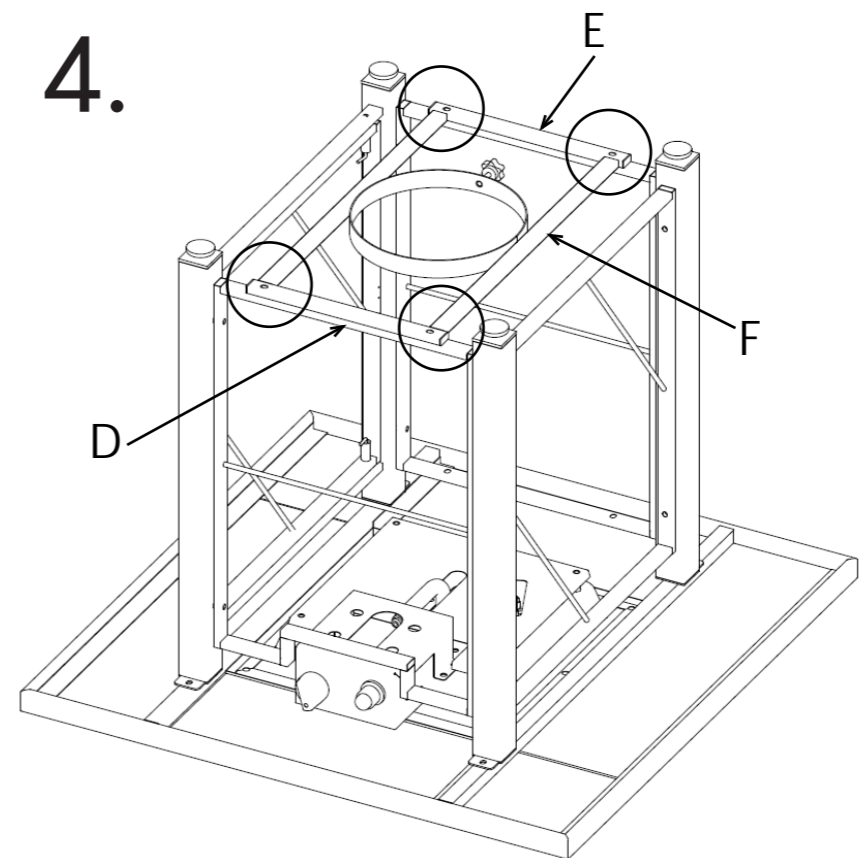


Attach side panels (D&E) to side panels (B&C) with 8 bolts (J25) using Phillips screwdriver.

Fije los paneles laterales (D&E) a los paneles laterales (B&C) con 8 pernos (J25) utilizando un destornillador Phillips.

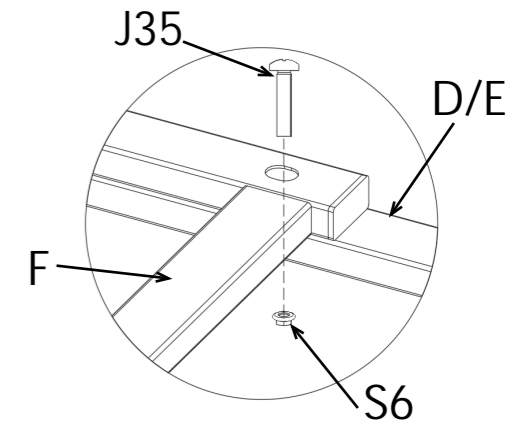


4.



Attach cylinder rack (F) to side panels (D&E) with 4 bolts (J35) and 4 (S6) flange lock nuts, using Phillips screwdriver.

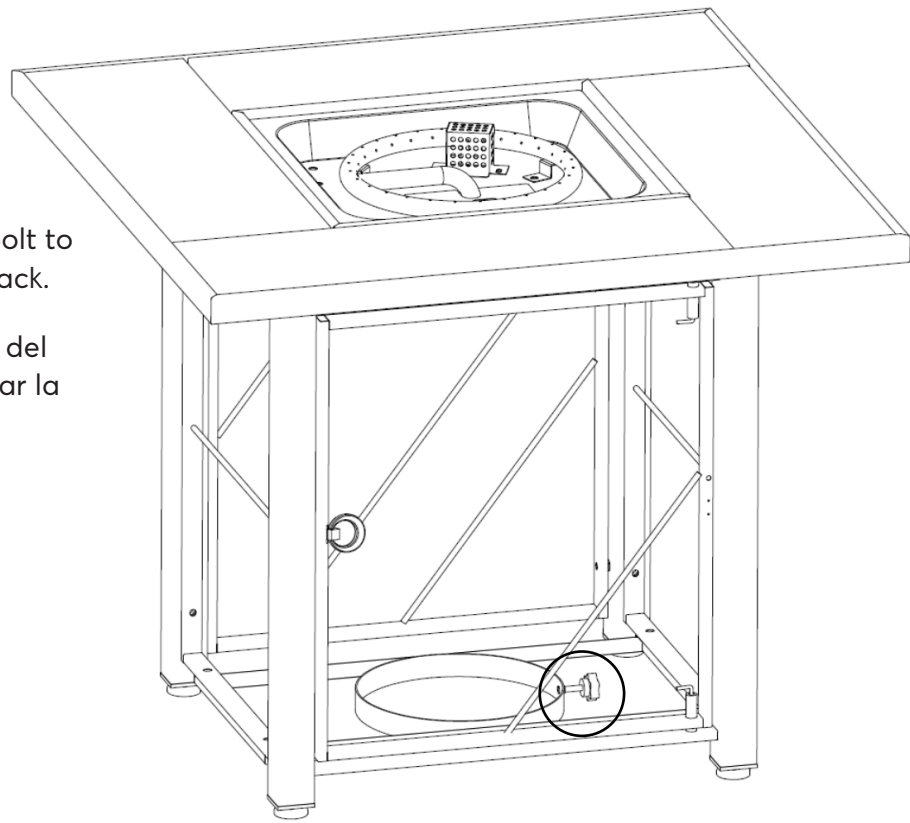
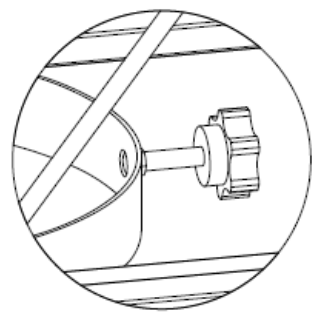
Fije el portacilindros (F) a los paneles laterales (D&E) con 4 pernos (J35) y 4 contratueras de brida (S6), utilizando un destornillador Phillips.



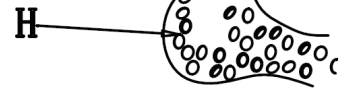
5.

Rotate the LP cylinder clamp bolt to loosen or tighten the cylinder rack.

Gire el perno de la abrazadera del cilindro LP para aflojar o apretar la cremallera del cilindro.

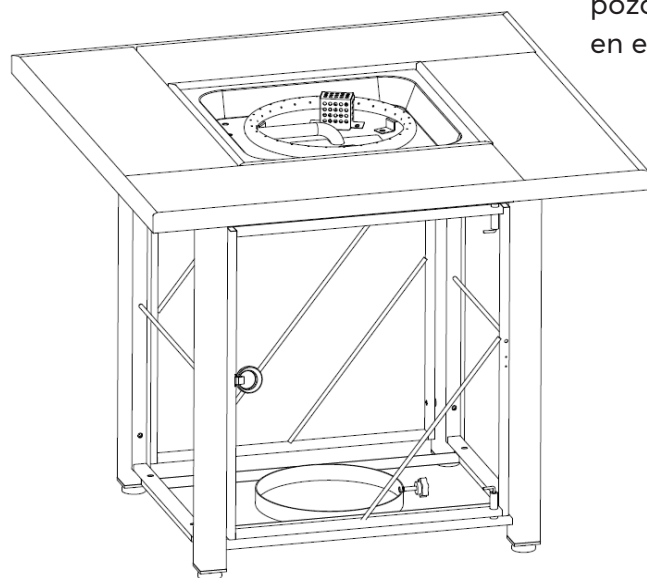


6.

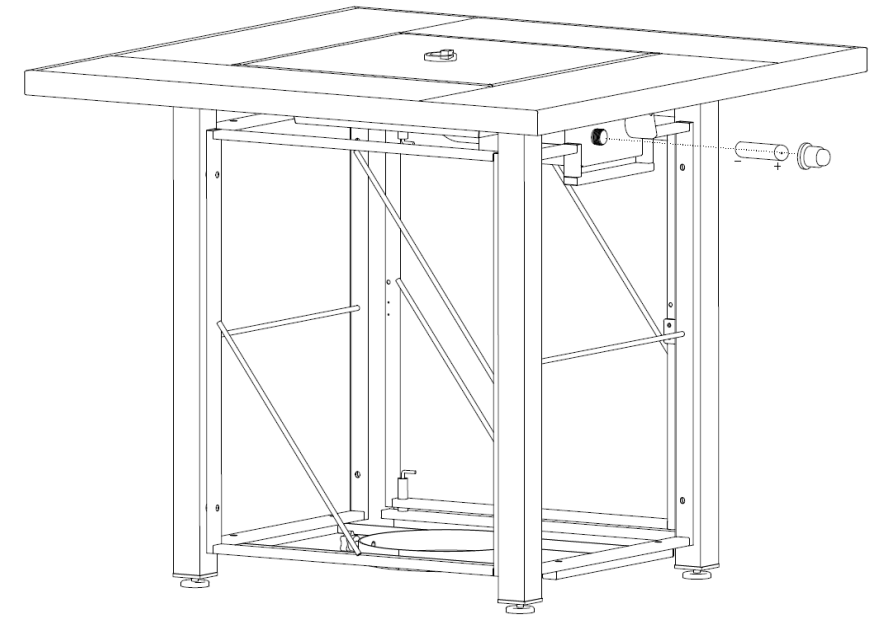


Pour fire glass (H) into the fire pit.
Put the lid (G) on the fire pit.

Vierta el vidrio refractario (H) en el pozo de fuego. Coloque la tapa (G) en el pozo de fuego.



7.



Insert a battery (AAA battery not included) and knob into the electric igniter and twist the button cover on to igniter housing. Do not overtighten.

Inserte una pila (pila AAA, no incluida) y el botón en el encendedor eléctrico y gire la tapa del botón hasta la carcasa del encendedor. No apriete demasiado.

CALIFORNIA PROPOSITION 65 WARNINGS

1. Fuels used in gas burning appliances and the combustion byproducts of such fuels, can expose you to chemicals including carbon monoxide, which is known to the State of California to cause birth defects or other reproductive harm.
2. This product contains Nickel [Metallic] known to the State of California to cause cancer.
3. This product contains Lead and Lead Compounds known to the State of California to cause cancer and birth defects or other reproductive harm.

For more information, go to: www.P65Warnings.ca.gov

DANGER: LP CYLINDER RISK !

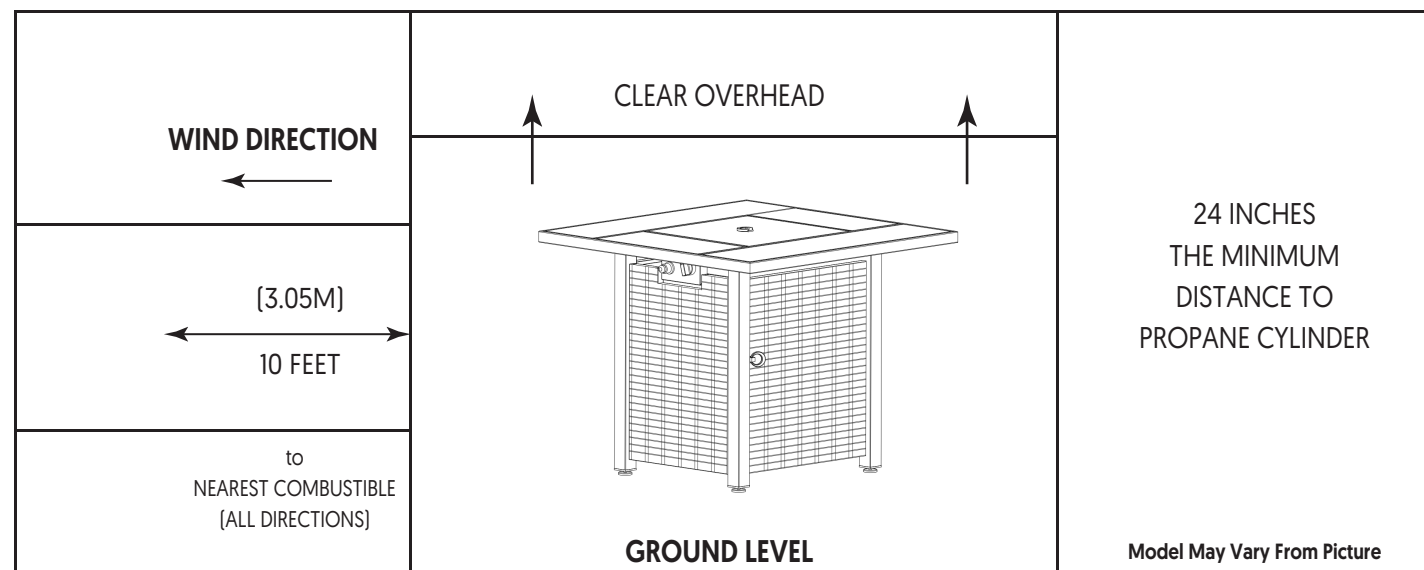
Liquid propane gas is flammable and hazardous if handled improperly. Understand the characteristics before using any propane product.

1. Propane characteristics: Flammable, explosive under pressure, heavier than air, settles in pools and low areas.
2. In its natural state, propane has no odor. For your safety, an odorant has been added.
3. Contact with propane can cause freeze burns to the skin.
4. This appliance is shipped from the factory for use with propane gas only.
5. Never use a propane cylinder with a damaged body, valve, collar, or footing.
6. Dented or rusted propane cylinders may be hazardous and should be checked by your propane gas supplier.

FOR YOUR SAFETY

1. Maintain at least 10 feet (3.05 m) clearance to combustible objects that can catch fire.
2. Keep at least 24-inch (61 cm) distance between the appliance and cylinder.
3. Do not place or use the appliance where there are combustible surfaces.

WARNING: LP hose may pose a tripping hazard.



INSTRUCTIONS FOR USE

Follow the instructions carefully to avoid seriously damaging your appliance and causing injury to yourself and to property.

1. Assemble the appliance as per the assembly instructions carefully.
2. Connect the LP cylinder to the appliance [LP cylinder not included].
3. Turn off the regulator valve before turning on the gas supply to the appliance.
4. Operate the regulator in accordance with the instructions supplied with the regulator.

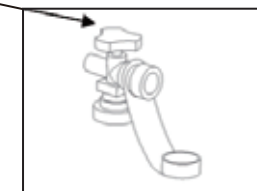
WARNING

1. Introduction of water or ice from any source into the oil/grease may cause overflow and severe burns from hot oil and water splatter. When frying with oil/grease, all food **MUST** be completely **THAWED**, and towel **DRIED** before being immersed in the fryer.
2. Avoid bumping into or impacting the appliance to prevent spillage or splashing of hot cooking liquid.
3. Never drop food or accessories into hot cooking liquid. Lower food and accessories slowly into the cooking liquid in order to prevent splashing or overflow. When removing food from the appliance, pay more attention to avoid being scalded from hot cooking liquids.

LP GAS AND CYLINDER INFORMATION

Your new gas appliance operates on LP [Liquified Petroleum] Gas. It is odorless, colorless, and non-toxic when produced. You can smell LP gas as it has been given an odor similar to rotten eggs for your safety.

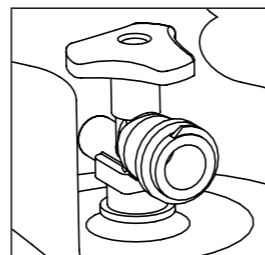
Triangular Hand Wheel



1. An OPD [Overfill Protection Device] that prevents accidental gas leaks caused by overfilling of the cylinder. Each cylinder contains a float that closes the input valve when the cylinder is 80% full. This allows room or the propane gas to expand in hot temperatures. A triangular hand wheel distinguishes this type of cylinder.
2. An QCCI Type1 Quick Connect Valve that provides fast cylinder hook-ups and requires only to be tightened by hand.

REMOVAL, TRANSPORTATION AND STORAGE

1. The LP cylinder must include a collar to protect the gas supply valve.
2. Do not store a spare LP cylinder under or near the appliance.
3. Never fill the LP cylinder beyond 80% capacity.
4. If the warnings 2 and 3 above are not heeded exactly, a fire causing death or serious injury may occur.
5. Always transport in an upright position.
6. Do not smoke when transporting your LP cylinder.
7. Place a dust cap on the cylinder gas valve outlet whenever the cylinder is not in use.
8. Use only the type of dust cap that is provided with the cylinder valve when purchased.
9. Other types of cap or plugs may result in leakage of propane.
10. The cylinder must be disconnected when the appliance is not in use.
11. Always close LP cylinder valve and remove coupling nut before moving LP cylinder from specified operating position.



LP CYLINDER SPECIFICATIONS

The LP cylinder used with your appliance must meet the following requirements:

1. Cylinder purchased or exchanged for your gas appliance must be manufactured and marked in accordance with the specifications for LP Gas cylinder of the U.S. Department of Transportation (DOT) or the National Standard of Canada, CAN/CSA-B339, Cylinders, Spheres and Tubes for Transportation of Dangerous Goods and Commission, be equipped with a listed over-filling prevention device (OPD), and be equipped with a cylinder connection device compatible with connection for outdoor cooking appliances.
2. The cylinder must be approximately 12" [31.1 cm] diameter and 18.25" [46 cm] high with a marked 20lb [9.07 kg] LPG capacity or 47.6lb [21.6 kg] water capacity as stated by the cylinder manufacturer.

THE CYLINDER MUST ALSO BE EQUIPPED WITH:

1. A shut-off valve terminating in a Type 1 gas cylinder valve outlet.
2. A Type 1 valve that prevents gas flow until a positive seal is made.
3. A collar to protect the cylinder shut-off valve.
4. A safety relief device that is directly linked with the vapor space of the cylinder.

WARNING

A frosty cylinder valve indicates possible gas overfill. Close the LP valve and call your LP dealer immediately.

1. DO NOT connect this appliance to an existing #510 POL cylinder valve with left-hand threads. The Type 1 valve can be identified by the large external threads on the valve outlet.
2. DO NOT connect to a propane cylinder exceeding this capacity.
3. DO NOT connect to a cylinder that uses any other type of valve connection device.

CONNECTING REGULATOR TO LP CYLINDER

Only use the pressure regulator and hose supplied with this appliance. This regulator is set for an outlet pressure of 11 inches water column.

1. Place LP cylinder on a stable surface.
2. Make sure the LP cylinder is OFF by turning the hand wheel clockwise until it stops.
3. Keep at least 24-inch [61 cm] distance between the appliance and cylinder.
4. Be sure the regulator valve is turned to the OFF position.
5. Remove the safety cap from the cylinder valve.
6. Center the regulator nipple into the cylinder valve.
7. Turn the coupling nut clockwise until it stops. Hand tighten Only. Do not use a wrench.

WARNING

1. Do not connect this appliance to any unregulated sources of propane.
2. Before each use, check the gas hose for excessive abrasion, wear, or cuts. Replace a damaged hose assembly with the one specified in the parts list before using the appliance.
3. Always perform the Leak Test listed below before using your appliance for the first time, if the cylinder has been changed, if any gas supply components have been changed, if the regulator flow-limiting device has been activated, or after a long period of non-use.
4. Do not attempt to connect this appliance to the LP system of a motor home or trailer.

LP CYLINDER LEAK TEST

WARNING

Appliance must be leak checked outdoors in well-ventilated area, away from ignition sources such as gas fired or electrical appliances. During leak test, keep appliance away from open flames or sparks. Use a clean paint brush and 50/50 soap and water solution.

Failure to comply with these instructions may result in serious bodily injury.

1. Turn regulator and cylinder valves OFF.
2. Be sure regulator is tightly connected to LP cylinder.
3. Completely open LP cylinder valve by turning hand wheel counterclockwise. If you hear a rushing sound, turn gas off immediately. There is a major leak at the connection. Correct before proceeding.
4. Brush the soapy solution onto all metal seams and the entire valve area.
5. Slowly turn the LP cylinder valve counterclockwise to the open position.
6. A leak is identified by a flow of bubbles from the area of the leak. Close LP cylinder valve immediately and re-tighten connections.
7. If leaks cannot be stopped, do not try to repair, contact your appliance dealer for assistance. Do not attempt to operate appliance if a leak is present.
8. Always examine the hose for any damage. If damage is observed, do not attempt to patch the hose. Replacing the hose is the only safe option.
9. For assistance with any malfunction related to the LP cylinder, regulator or hose, contact customer service.
10. Always close LP cylinder valve after performing leak test by turning hand wheel clockwise.

HOSE CHECK

Before each use, check to see if hoses are cut or worn. Replace damaged hose assembly before using appliance. Use only valve/hose/regulator specified by manufacturer.

WARNING

Do not attempt to adjust the burner. It is preset to the factory specifications.

THERMOMETER TEST

WARNING

Always use a thermometer when frying any food. A thermometer is a sensitive measuring device which may not work properly if dropped, bent, or twisted. Always check to be sure your thermometer is working properly before frying. DO NOT use a meat thermometer for frying.

TEMPERATURE ACCURACY TEST

While wearing protective gloves, hold the thermometer by the dial and insert the stem into boiling water. The needle should quickly move around the dial and register approximately 212°F [100°C] (plus or minus 5°F). This indicates whether or not the temperature reading is accurate.

NOTE: Due to water evaporation, the maximum reading possible on a thermometer in hot water is 212°F [100°C].

TEMPERATURE RANGE TEST

Hold the thermometer by the dial and place the end of the stem above a lit match or lighter. The needle should quickly move around the dial and register a temperature reading far above 350°F [177°C]. If the needle stops at a low temperature reading such as 225°F [107°C], then the thermometer is damaged and cannot be used.

NOTE: DO NOT attempt frying if the thermometer is not working! If the thermometer supplied with this fryer or boiler has been lost or damaged, a replacement thermometer must be one specified by the appliance manufacturer.

INSTRUCTIONS FOR LIGHTING BURNER

WARNING: BEFORE LIGHTING

1. Read the instructions before lighting.
2. If the burner does not ignite in 5 seconds, turn the regulator valve off, wait 5 minutes and repeat the lighting procedure.
3. Inspect the gas supply hose prior to turning the gas "ON". If there is evidence of cuts, wear, or abrasion, it must be replaced prior to use. Do not use the appliance if the odor of gas is present. Only use the pressure regulator and hose assembly supplied with the unit.
4. Never use regulators and hose assemblies other than those supplied with the appliance. If a replacement is necessary, contact the manufacturer to get the proper replacement. The replacement must be as per the specifications in the Owner's Manual.

DO NOT LEAVE THE APPLIANCE UNATTENDED WHILE COOKING.

LIGHTING BURNER USING ELECTRONIC IGNITION

1. Ensure the regulator valve is completely closed.
 2. Open gas cylinder valve by turning counterclockwise.
 3. Open the regulator valve by turning clockwise.
 4. Push and hold ignitor button to light the burner.
 5. If the burner does not ignite, turn off the regulator and cylinder valve, wait for 5 minutes before attempting to relight the burner.
 6. If the burner ignites, turn the regulator valve to the desired heat setting.
- * Should the burner still fail to ignite, check the gas supply.

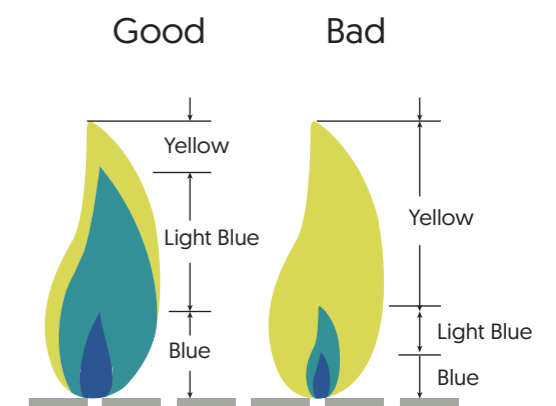
LIGHTING BURNER USING IGNITOR OR MATCH

Do not lean over LP cooker while lighting. Read all instructions before lighting and only light burner outdoors.

1. Remove all appliances from the burner to create a free flow of air.
 2. Turn control valve(s) to OFF position.
 3. Slowly open LP bottle valve.
 4. Light a long match (fireplace match) and place it over burner. If using a short match, place the unlit match into the match holder then light the match. Slowly rotate the the regulator control knob until burner is lit.
- If ignition does not occur in 5 seconds, turn the burner control(s) off, wait 5 minutes, and repeat the lighting procedure

BURNER FLAME CHECK

Light the burner and adjust the flame with the regulator control valve until the desired flame is achieved. Always check the flame prior to each use. A blue flame with little or no yellow flame provides the best heat.



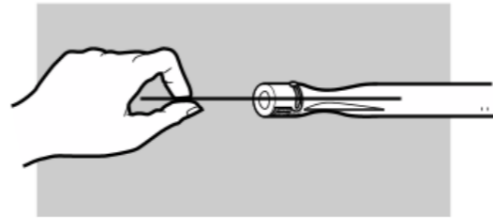
Correct care and maintenance will keep your appliance operating smoothly. Clean regularly as determined by the amount of use. NOTE: Clean the entire appliance each year and tighten all hardware on a regular basis [1-2 times a year or more depending on usage]. Cleaning should be done where detergents won't harm patio, lawn.

CLEANING THE BURNER

NOTE: Spiders and small insects can spin webs and build nests inside the burner. This especially occurs in late summer and fall before frost when spiders are most active. These nests can obstruct gas flow and cause a fire in and around the burner and orifice. Such a fire can cause operator injury and serious damage to the appliance. To help prevent a blockage and ensure full heat output, clean and inspect burner tube often (once or twice a month).

Steps for cleaning the Burner:

1. Disconnect the regulator hose from the burner tube.
2. Clean the inside of the burners with a wire (a straightened-out coat hanger will work). Check and clean the air shutter opening at the ends of the burners. Check and clean the valve orifices at the base of the valves. Use a brass bristle brush to clean outside of burners. This is to make sure all the burner ports are fully open.
3. When the burner is reassembled, align the threads of the regulator hose to the center line of the burner tube and tighten with a wrench.



TROUBLESHOOTING

<p>Why won't my burner light?</p>	<ul style="list-style-type: none"> • Make sure your regulator is fully tightened on the propane tank. Try unscrewing and re-tightening the coupling nut. • Make sure your LP tank has propane. • Make sure you press and hold the ignition button on ignition. It may take a few clicks for the gas to catch fire. • Check that the electrode is sparking. To do this, make sure the valve is closed on your tank. Hold the ignition button while looking into the burners. You should see a spark coming out of the electrodes. If there is no spark, check the following: 1. Make sure the battery was installed correctly with the + end toward the battery cap. 2. Try replacing the battery. 3. Unscrew and reinstall the battery cap. Ensure the threads engage and the cap is tightened all the way down. 4. Ensure the wire connections are tight.
<p>My burner lights, but why won't it stay lit?</p>	<ul style="list-style-type: none"> • Ensure that your tank has propane. • The burner may struggle to stay lit in windy conditions. If it is windy, allow the appliance to cool and try moving to a less windy location. • Try adjusting the regulator knob and cooking at a different temperature
<p>My burner lights but there isn't enough heat coming out, why won't the flame get bigger?</p>	<p>A. 1. Turn regulator valve OFF (counterclockwise). Close the cylinder valve completely by turning it clockwise until it stops. 2. Check that the Type 1 Connection (black knob) is completely tightened to the cylinder valve. 3. Wait 5 seconds for the pressure to equalize and for the flow limiting device to reset. 4. Turn cylinder valve ON (counterclockwise). 5. Turn regulator valve ON (clockwise). 6. Relight boiler following all lighting instructions contained in this Owner's Manual. Check for proper flame.</p> <p>B. 1. Turn regulator valve OFF (counterclockwise). Close the cylinder valve completely by turning clockwise until it stops. 2. Remove Type 1 Connection (black/green knob) from the cylinder valve. The flow limiting device will now reset. 3. Re-attach Type 1 Connection (black/green knob) to the cylinder valve. Tighten completely. 4. Turn the cylinder valve ON (counterclockwise). 5. Turn regulator valve ON (clockwise). 6. Relight burner following all lighting instructions contained in this Owner's Manual. Check for proper flame.</p>

How long will the gas in my \ cylinder last?	On average, a full cylinder will give you 4 to 5 hours of normal cooking.
How to relight the flame?	<p>Different solutions for different causes.</p> <ol style="list-style-type: none"> 1. Low gas level in the LP cylinder, or the cylinder is empty. Check the gas level in the LP cylinder. 2. Too much wind Check wind direction and set the cooker away from windy areas. 3. Blocked burner Clean and check burner for spiders, insect nests, and debris. 4. Water in burner Check the burner for moisture, make sure the burner is dry. <p>If your problem is not resolved using the troubleshooting information above, please contact your local gas dealer.</p>
What to do when burner flame is accidentally extinguished?	<ol style="list-style-type: none"> 1. Turn off LP tank by turning clockwise to a full stop. 2. Turn regulator control knob counterclockwise to the OFF position. 3. Inspect the hose and make sure connections are complete. After waiting 5 minutes, restart the appliance following "INSTRUCTIONS FOR LIGHTING BURNER".

WARRANTY AND SERVICE

NOTE: RUST is not considered a manufacturing or materials defect.

OuterMust Limited Warranty:

Here at OuterMust we stand by our products, quality controls, and take pride in our customer service. Because of this, your new OuterMust product comes with a No-Hassle Limited Warranty. We warrant that our products will be free from defects in all materials and workmanship (excluding paint and finish) for the Warranty Coverage Period described. This warranty is extended only to the original consumer purchaser. During the Warranty Coverage Period, we will (at our sole option) replace any defective part or product covered by this warranty when provided with proof of purchase. The replacement will be without charge.

The limited warranty will not reimburse you for the cost of any inconvenience, food, personal injury or property damage. All warranty coverage is void if this appliance is ever used for commercial or rental purposes. And this limited warranty applies to the functionality of the product ONLY and does not cover cosmetic issues such as scratches, dents, corrosion or discoloring by heat, abrasive and chemical cleaners or any tools used in the assembly or installation of the appliance, surface rust, or the discoloration of stainless steel surfaces.

ITEMS NOT COVERED IN THE WARRANTY SERVICE

- Any failures or operating difficulties due to accident, abuse, misuse, alteration, misapplication, vandalism, improper installation or improper maintenance or service, or failure to perform normal and routine maintenance, including but not limited to damage caused by insects within the burner tubes, as set out in the owner's manual.
- Deterioration or damage due to severe weather conditions such as hail, hurricanes, earthquakes or tornadoes, discoloration due to exposure to chemicals either directly or in the atmosphere.
- Cost of service calls to your home.
- Costs of removal or re-installation.
- Pickup and delivery of your product.
- Shipping or transportation costs.
- Labor costs for installation and repair.
- Liability for indirect, or consequential damages.

Any warranties implied by law shall in no event extend beyond duration of this express warranty. Some States do not allow limitations on how long an implied warranty lasts, so the above limitation may not apply to you. Repair or replacement as provided herein is your exclusive remedy for any defective product. In no event shall we be liable for any special, incidental or consequential damages of any kind arising out of the purchase or use of this product, whether based upon contract, tort, statute or otherwise. Some states do not allow the exclusion or limitation of incidental or consequential damages, so the above limitation or exclusion may not apply to you. This warranty gives you specific legal rights, and you may also have other rights which vary from State to State.

Because OuterMust cannot control the quality of products sold by unauthorized sellers, this limited warranty applies only to Products that were purchased from OuterMust or a OuterMust authorized seller in the United States, unless otherwise prohibited by law. OuterMust reserves the right to reject warranty claims from purchasers for Products purchased from unauthorized sellers, including unauthorized Internet sites. Please keep all original sales receipts from the authorized dealer. Proof of purchase is required to obtain warranty services. Any parts or products returned without written authorization will be discarded without notice.

If you have any questions, please contact us at: **Service@outermust.com**

CONTENIDO

Información General e Instrucciones	1-3
Las Instrucciones de Operación	4-6
Limpieza y Mantenimiento	7
Resolución de Problemas	8-9
Garantía y Servicio	10

ADVERTENCIA

SOLO PARA USO EXTERIOR

PELIGRO

Si percibe olor a gas:

1. Cierre el suministro de gas al aparatos.
2. Apague cualquier llama abierta.
3. Si el olor persiste, aléjese del aparatos y llame inmediatamente al departamento de bomberos.

NOTA: Lea todas las instrucciones antes de ensamblar y utilizar. El incumplimiento de las instrucciones en este manual puede resultar en lesiones corporales y/o daños a la propiedad, lesiones personales o la muerte.

ADVERTENCIA

1. La instalación debe cumplir con los códigos locales o, en ausencia de códigos locales, con el Código Nacional de Gas Combustible, ANSI Z223.1/NFPA 54.
2. No almacene ni utilice gasolina u otros líquidos o vapores inflamables en las cercanías de este u otro aparatos.
3. Un cilindro de gas LP que no esté conectado para su uso no debe almacenarse en las cercanías de este u otro aparatos.

PRECAUCIÓN

1. Guarde este manual para futuras consultas.
2. NO utilice este aparato sin supervisión.
3. No almacene ni utilice gasolina u otros vapores y líquidos inflamables a menos de 7,62 m (25 pies) de este o cualquier otro aparato, materiales combustibles, incluidos, entre otros, gasolina y otros vapores y líquidos inflamables, madera, plantas y césped secos, matorrales, papel y lonas.
4. Esta mesa para fogatas a gas propano no se debe instalar ni utilizar en vehículos recreativos ni en embarcaciones.
5. NO utilice gasolina, queroseno ni alcohol para encender el fuego. Utilice únicamente gas propano (no se incluye el cilindro de gas propano).
6. NO pinte ni coloree ninguna parte de esta unidad de calefacción.
7. NO utilice la mesa para fogatas a menos que esté completamente ensamblada y todas las piezas estén bien sujetas y apretadas.
8. NO utilice esta mesa para fogatas si alguna de sus piezas ha estado bajo el agua. 9. NO use este aparato sobre o debajo de balcones o terrazas de departamentos o condominios, garajes o cualquier otra área cerrada.
10. NO obstruya el flujo de aire para la combustión y la ventilación.
11. NO coloque la cubierta protectora sobre la unidad hasta que esté apagada y se enfríe por completo.
12. NO se incline sobre esta mesa de fuego para exteriores cuando la encienda o cuando esté en uso.
13. NO intente mover el aparato cuando llueva, granice, aguanieve u otras precipitaciones. Apague inmediatamente el quemador y el suministro de gas, luego cubra esta mesa de fuego.
14. Limpie e inspeccione la manguera antes de cada uso. Si hay evidencia de abrasión, desgaste, cortes o fugas, la manguera debe reemplazarse antes de operar el aparato. El conjunto de manguera de reemplazo debe cumplir con las especificaciones del fabricante.
15. Siempre use esta mesa de fuego sobre una superficie dura, nivelada y no combustible, como concreto, roca o piedra. 16. Mantenga limpios el compartimiento de la válvula, los quemadores y los conductos de aire circulante del aparato. Inspeccione el aparato antes de cada uso.
17. Antes de cada uso, retire las perlas de vidrio refractario. Examine el quemador y sus componentes. Si están sucios, límpielos con un cepillo suave y una solución de agua jabonosa. Examine también el área alrededor del quemador. Debe eliminarse cualquier suciedad u otro material, como telarañas o nidos de arañas, en esta área. Si el quemador muestra algún tipo de daño, no utilice el aparato. Para obtener ayuda con la reparación o el reemplazo del quemador o de cualquier otra pieza, comuníquese con nosotros a service@outermust.com.
18. Si se produce un incendio, manténgase alejado del aparato y llame inmediatamente al departamento de bomberos. NO intente apagarlo con agua. Utilice un extintor de incendios químico seco tipo BC o apague el fuego con tierra, arena o bicarbonato de sodio.

⚠️ AVERTENCIAS DE LA PROPOSICIÓN 65 DE CALIFORNIA

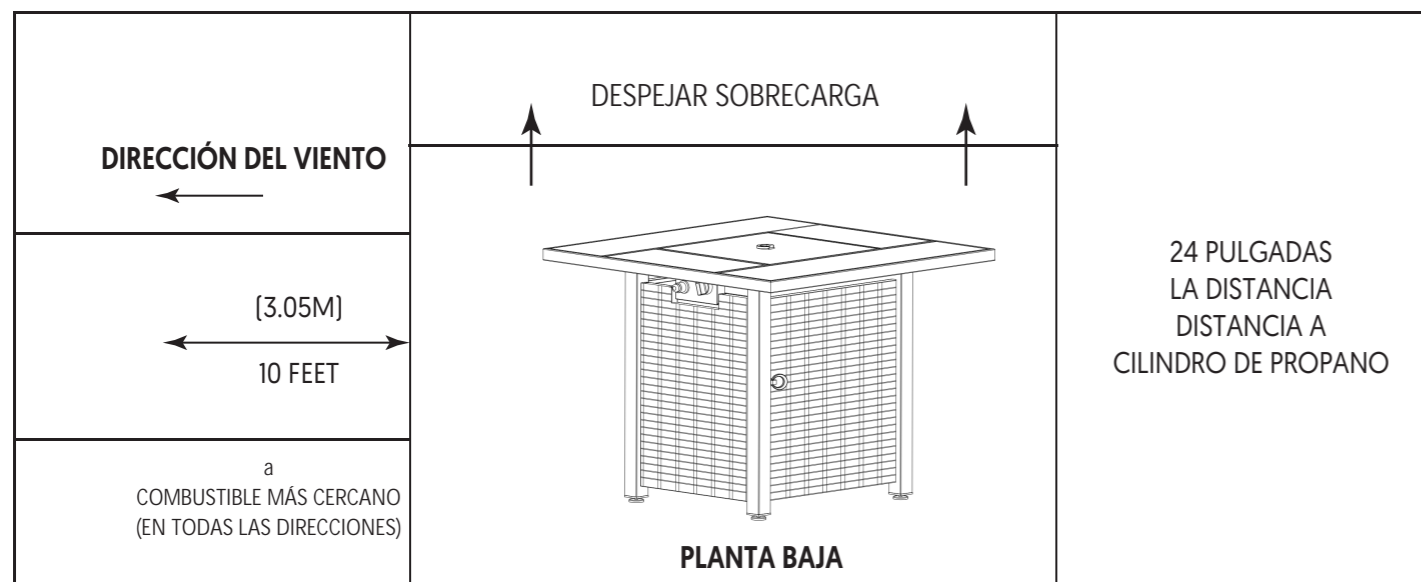
1. Los combustibles utilizados en los electrodomésticos de gas y los subproductos de la combustión de dichos combustibles pueden exponerlo a sustancias químicas, incluyendo el monóxido de carbono, que según el estado de California, causa defectos de nacimiento u otros daños reproductivos.
 2. Este producto contiene Níquel [Metálico], que según el estado de California, causa cáncer.
 3. Este producto contiene Plomo y Compuestos de Plomo, que según el estado de California, causan cáncer y defectos de nacimiento u otros daños reproductivos.
- Para obtener más información, visite: www.P65Warnings.ca.gov

⚠️ PELIGRO: RIESGO DE CILINDRO DE LP

- El gas propano líquido es inflamable y peligroso si se maneja de manera incorrecta. Comprenda las características antes de usar cualquier producto de propano.
1. Características del propano: Inflamable, explosivo bajo presión, más pesado que el aire, se acumula en charcos y áreas bajas.
 2. En su estado natural, el propano no tiene olor. Por su seguridad, se ha agregado un odorizante.
 3. El contacto con el propano puede causar quemaduras por congelación en la piel.
 4. Este aparato se envía desde fábrica para ser utilizado únicamente con gas propano.
 5. Nunca use un cilindro de propano con el cuerpo, válvula, cuello o base dañados.
 6. Los cilindros de propano abollados o oxidados pueden ser peligrosos y deben ser verificados por su proveedor de gas propano.

⚠️ PARA SU SEGURIDAD

1. Mantenga una distancia de al menos 10 pies [3.05 metros] con objetos combustibles que puedan incendiarse.
 2. Mantenga una distancia de al menos 24 pulgadas [61 centímetros] entre el aparato y el cilindro.
 3. No coloque ni utilice el aparato en superficies combustibles.
- AVERTENCIA:** La manguera de gas LP puede representar un peligro de tropiezo.



INSTRUCCIONES DE USO

Siga las instrucciones cuidadosamente para evitar dañar gravemente su aparato y causar lesiones a usted mismo y a la propiedad.

1. Ensamble el electrodoméstico siguiendo cuidadosamente las instrucciones de ensamblaje.
2. Conecte el cilindro de LP al electrodoméstico [cilindro de LP no incluido].
3. Cierre la válvula del regulador antes de encender el suministro de gas al electrodoméstico.
4. Opere el regulador de acuerdo con las instrucciones suministradas con el regulador.

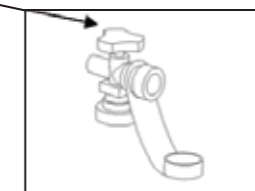
⚠️ ADVERTENCIA

1. La introducción de agua o hielo desde cualquier fuente en el aceite/grasa puede causar desbordamiento y quemaduras graves por salpicaduras de aceite caliente y agua. Al freír con aceite/grasa, TODOS los alimentos DEBEN estar completamente DESCONGELADOS y SECADOS con una toalla antes de sumergirlos en la freidora.
2. Evite golpear o impactar el aparato para evitar derrames o salpicaduras de líquido de cocción caliente.
3. Nunca deje caer alimentos o accesorios en el líquido de cocción caliente. Baje los alimentos y accesorios lentamente en el líquido de cocción para evitar salpicaduras o desbordamientos. Al retirar los alimentos del aparato, preste más atención para evitar quemaduras por líquidos de cocción calientes.

INFORMACIÓN SOBRE GAS LICUADO DE PETRÓLEO (GLP) Y CILINDROS

Su nuevo electrodoméstico a gas funciona con gas LP [Gas Licuado de Petróleo]. Este gas es inodoro, incoloro y no tóxico cuando se produce. Sin embargo, para su seguridad, se le ha agregado un olor similar al de los huevos podridos para que pueda detectar su presencia.

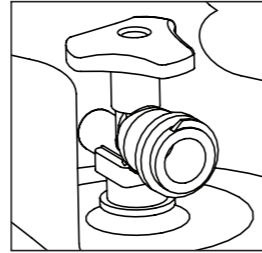
Rueda Triangular de Mano



1. Un dispositivo de protección contra el llenado excesivo [OPD, por sus siglas en inglés] que evita las fugas de gas accidentales causadas por el llenado excesivo del cilindro. Cada cilindro contiene un flotador que cierra la válvula de entrada cuando el cilindro está 80% lleno. Esto permite espacio para que el gas propano se expanda en temperaturas altas. Un volante triangular distingue este tipo de cilindro.
2. Una válvula de conexión rápida tipo QCCI Tipo1 que proporciona una conexión rápida de cilindros y solo requiere apretarse a mano.

RETIRO, TRANSPORTE Y ALMACENAMIENTO

1. El cilindro de LP debe incluir un collar para proteger la válvula de suministro de gas.
2. No almacene un cilindro de LP de repuesto debajo o cerca del aparato.
3. Nunca llene el cilindro de LP más allá del 80% de su capacidad.
4. Si no se siguen exactamente las advertencias 2 y 3 anteriores, puede producirse un incendio que cause la muerte o lesiones graves.
5. Siempre transporte el cilindro en posición vertical.
6. No fume al transportar su cilindro de LP.
7. Coloque una tapa antipolvo en la salida de la válvula del cilindro siempre que el cilindro no esté en uso.
8. Use solo el tipo de tapa antipolvo que se proporciona con la válvula del cilindro al momento de la compra.
9. Otros tipos de tapas o enchufes pueden provocar fugas de propano.
10. El cilindro debe desconectarse cuando el aparato no esté en uso.
11. Siempre cierre la válvula del cilindro de LP y retire la tuerca de acoplamiento antes de mover el cilindro de LP de la posición de funcionamiento especificada.



ESPECIFICACIONES DEL CILINDRO DE LP

El cilindro de LP utilizado con su aparato debe cumplir con los siguientes requisitos:

1. El cilindro adquirido o intercambiado para su aparato de gas debe estar fabricado y marcado de acuerdo con las especificaciones para cilindros de gas LP del Departamento de Transporte de los Estados Unidos (DOT) o la Norma Nacional de Canadá, CAN/CSA-B339, Cilindros, Esferas y Tubos para el Transporte de Mercancías Peligrosas y debe estar equipado con un dispositivo de prevención de sobrellenado (OPD) listado, así como con un dispositivo de conexión compatible con los aparatos de cocina para uso en exteriores.
2. El cilindro debe tener aproximadamente un diámetro de 12 pulgadas (31.1 cm) y una altura de 18.25 pulgadas (46 cm) con una capacidad de GLP marcada de 20 libras (9.07 kg) o una capacidad de agua de 47.6 libras (21.6 kg), según lo indicado por el fabricante del cilindro.

EL CILINDRO TAMBIÉN DEBE ESTAR EQUIPADO CON:

1. Una válvula de cierre que termina en una salida de válvula de cilindro de gas Tipo 1.
2. Una válvula Tipo 1 que evita el flujo de gas hasta que se haga un sellado positivo.
3. Un cuello para proteger la válvula de cierre del cilindro.
4. Un dispositivo de alivio de seguridad que está directamente vinculado con el espacio de vapor del cilindro.

ADVERTENCIA

Una válvula de cilindro helada indica una posible sobrecarga de gas. Cierre la válvula de LP y llame de inmediato a su distribuidor de LP.

1. NO conecte este aparato a una válvula de cilindro #510 POL existente con roscas a la izquierda. La válvula tipo 1 se puede identificar por las grandes roscas externas en la salida de la válvula.
2. NO conecte a un cilindro de propano que exceda esta capacidad.
NO conecte a un cilindro que utilice cualquier otro tipo de dispositivo de conexión de válvula.

CONECTANDO EL REGULADOR AL CILINDRO DE LP

Solo utilice el regulador de presión y la manguera suministrados con este aparato. Este regulador está configurado para una presión de salida de 11 pulgadas de columna de agua.

1. Coloque el cilindro de gas LP sobre una superficie estable.
2. Asegúrese de que el cilindro de gas LP esté APAGADO girando la rueda manual en sentido horario hasta que se detenga.
3. Mantenga una distancia de al menos 24 pulgadas (61 cm) entre el aparato y el cilindro.
4. Asegúrese de que la válvula del regulador esté en la posición de APAGADO.
5. Retire la tapa de seguridad de la válvula del cilindro.
6. Centre el espigón del regulador en la válvula del cilindro.
7. Gire la tuerca de acoplamiento en sentido horario hasta que se detenga. Apriete a mano únicamente. No use una llave.

ADVERTENCIA

1. No conecte este aparato a fuentes de propano no reguladas.
2. Antes de cada uso, verifique la manguera de gas en busca de abrasión excesiva, desgaste o cortes. Reemplace el conjunto de manguera dañada con el especificado en la lista de piezas antes de usar el aparato.
3. Siempre realice la Prueba de Fugas que se describe a continuación antes de usar su aparato por primera vez, si se ha cambiado el cilindro, si se han cambiado componentes del suministro de gas, si se ha activado el dispositivo de limitación de flujo del regulador, o después de un largo período de no uso.
4. No intente conectar este aparato al sistema de GLP de una autocaravana o remolque.

PRUEBA DE FUGA DEL CILINDRO DE LP (GAS LICUADO DE PETRÓLEO)

ADVERTENCIA

El aparato debe ser sometido a una prueba de fugas en exteriores, en un área bien ventilada, lejos de fuentes de ignición como aparatos eléctricos o de gas. Durante la prueba de fugas, mantenga el aparato alejado de llamas abiertas o chispas. Utilice un pincel limpio y una solución de agua y jabón al 50/50.

El incumplimiento de estas instrucciones puede resultar en lesiones corporales graves.

1. Asegúrese de que todos los aparatos y dispositivos conectados al cilindro de LP estén apagados y desconectados.
2. Asegúrese de que el cilindro de LP esté completamente cerrado.
3. Mezcle una solución de agua y jabón en un recipiente.
4. Aplique la solución en las conexiones de gas del cilindro, incluyendo la válvula y cualquier otra conexión.
5. Abra lentamente la válvula del cilindro de LP.
6. Observe cuidadosamente si aparecen burbujas en las áreas donde aplicó la solución de agua y jabón. Las burbujas indicarán una fuga de gas.
7. Si se detecta alguna fuga, cierre inmediatamente la válvula del cilindro de LP y desconecte el suministro de gas. Luego, repare la fuga antes de intentar utilizar el cilindro nuevamente.
8. Si no se detectan fugas, cierre la válvula del cilindro de LP y asegúrese de que todas las conexiones estén bien ajustadas.
9. Si no se detectan fugas, cierre la válvula del cilindro de LP y asegúrese de que todas las conexiones estén bien ajustadas.

REVISIÓN DE LA MANGUERA

Antes de cada uso, verifique si las mangueras están cortadas o desgastadas. Reemplace el conjunto de manguera dañada antes de usar el aparato. Utilice solo la válvula/manguera/regulador especificado por el fabricante.

⚠️ ADVERTENCIA

No intente ajustar el quemador. Está preestablecido según las especificaciones de fábrica.

PRUEBA DEL TERMÓMETRO

⚠️ ADVERTENCIA

Siempre use un termómetro al freír cualquier alimento. Un termómetro es un dispositivo de medición sensible que puede no funcionar correctamente si se cae, dobla o tuerce. Siempre verifique que su termómetro esté funcionando correctamente antes de freír. NO use un termómetro de carne para freír.

PRUEBA DE PRECISIÓN DE TEMPERATURA

Mientras usa guantes protectores, sostenga el termómetro por el dial e inserte la sonda en agua hirviendo. La aguja debe moverse rápidamente alrededor del dial y registrar aproximadamente 212°F (100°C) [más o menos 5°F]. Esto indicará si la lectura de temperatura es precisa o no.

NOTA: Debido a la evaporación del agua, la máxima lectura posible en un termómetro en agua caliente es de 212°F (100°C).

PRUEBA DE RANGO DE TEMPERATURA

Sujete el termómetro por el dial y coloque el extremo del vástago sobre una cerilla o encendedor encendido. La aguja debe moverse rápidamente alrededor del dial y registrar una lectura de temperatura muy por encima de los 350°F (177°C). Si la aguja se detiene en una lectura de temperatura baja, como 225°F (107°C), entonces el termómetro está dañado y no se puede utilizar.

NOTA: ¡NO intente freír si el termómetro no funciona! Si se ha perdido o dañado el termómetro suministrado con esta freidora o caldera, se debe utilizar un termómetro de reemplazo especificado por el fabricante del aparato.

INSTRUCCIONES PARA ENCENDER EL QUEMADOR

⚠️ ADVERTENCIA: ANTES DE ENCENDER

1. Lea las instrucciones antes de encenderlo.
2. Si el quemador no se enciende en 5 segundos, cierre la válvula del regulador, espere 5 minutos y repita el procedimiento de encendido.
3. Inspeccione la manguera de suministro de gas antes de abrir el gas. Si hay evidencia de cortes, desgaste o abrasión, debe ser reemplazada antes de usar. No utilice el aparato si percibe olor a gas. Use únicamente el regulador de presión y el conjunto de manguera suministrados con la unidad.
4. Nunca utilice reguladores y conjuntos de manguera distintos a los suministrados con el aparato. Si es necesario reemplazarlos, contacte al fabricante para obtener el reemplazo adecuado. El reemplazo debe ser de acuerdo con las especificaciones del Manual del Propietario.

NO DEJE EL APARATO SIN SUPERVISIÓN MIENTRAS COCINA.

ENCENDIDO DE LA HORNILLA UTILIZANDO EL ENCENDIDO ELECTRÓNICO

1. Asegúrese de que la válvula del regulador esté completamente cerrada.
 2. Abra la válvula del cilindro de gas girando en sentido contrario a las agujas del reloj.
 3. Abra la válvula del regulador girando en sentido de las agujas del reloj.
 4. Presione y mantenga presionado el botón del encendedor para encender el quemador.
 5. Si el quemador no se enciende, cierre la válvula del regulador y la válvula del cilindro, espere 5 minutos antes de intentar encender nuevamente el quemador.
 6. Si el quemador se enciende, ajuste la válvula del regulador a la temperatura deseada.
- * En caso de que el quemador aún no se encienda, verifique el suministro de gas.

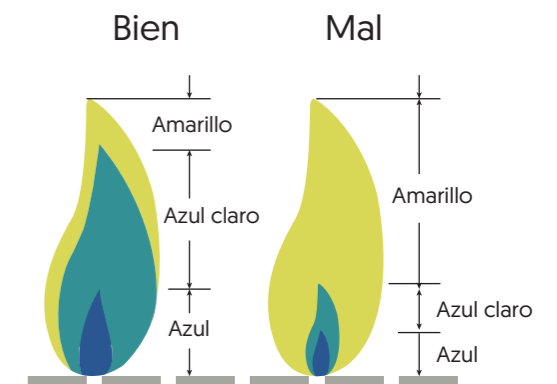
ENCENDIDO DE LA HORNILLA CON EL ENCENDEDOR O UNA CERILLA

No se incline sobre la cocina de gas LP mientras la enciende. Lea todas las instrucciones antes de encenderla y solo haga la ignición al aire libre.

1. Retire todos los utensilios de la hornilla para crear un flujo de aire libre.
2. Gire la(s) válvula(s) de control a la posición APAGADO.
3. Abra lentamente la válvula de la botella de gas LP.
4. Encienda una cerilla larga (cerilla de chimenea) y colóquela sobre la hornilla. Si utiliza una cerilla corta, coloque la cerilla sin encender en el portacerillas y luego encienda la cerilla. Gire lentamente el mando del regulador hasta que se encienda la hornilla.
5. Si la ignición no ocurre en 5 segundos, apague el control de la hornilla, espere 5 minutos y repita el procedimiento de encendido.

VERIFICACIÓN DE LA LLAMA DE LA HORNILLA

Encienda la hornilla y ajuste la llama con la válvula de control del regulador hasta obtener la llama deseada. Siempre verifique la llama antes de cada uso. Una llama azul con poco o ningún color amarillo proporciona el mejor calor.



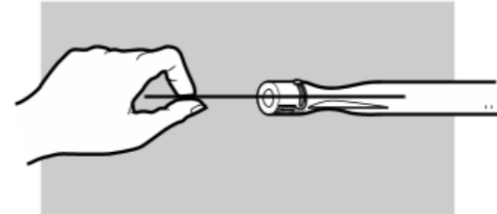
Un cuidado y mantenimiento adecuados mantendrán su aparato funcionando sin problemas. Limpie regularmente según la cantidad de uso. NOTA: Limpie todo el aparato cada año y apriete regularmente todos los herrajes [1-2 veces al año o más dependiendo del uso]. La limpieza debe realizarse en áreas donde los detergentes no dañen el patio o el césped.

LIMPIEZA DEL QUEMADOR

NOTA: Las arañas e insectos pequeños pueden tejer telarañas y construir nidos dentro del quemador. Esto ocurre especialmente a finales del verano y en otoño, antes de la primera helada, cuando las arañas son más activas. Estos nidos pueden obstruir el flujo de gas y causar un incendio dentro y alrededor del quemador y el orificio. Tal incendio puede causar lesiones al operador y graves daños al aparato. Para evitar bloqueos y asegurar una salida de calor completa, limpie e inspeccione el tubo del quemador con frecuencia (una o dos veces al mes).

Pasos para limpiar el quemador:

1. Desconecte la manguera del regulador del tubo del quemador.
2. Limpie el interior de los quemadores con un alambre (una percha enderezada puede servir). Compruebe y limpie la abertura del obturador de aire en los extremos de los quemadores. Compruebe y limpie los orificios de la válvula en la base de las válvulas. Utilice un cepillo de cerdas de latón para limpiar el exterior de los quemadores. Esto es para asegurarse de que todos los orificios de los quemadores están completamente abiertos.
3. Cuando vuelva a ensamblar el quemador, alinee las roscas de la manguera del regulador con la línea central del tubo del quemador y apriételas con una llave.



SOLUCIÓN DE PROBLEMAS

<p>¿Por qué no enciende mi quemador?</p>	<ul style="list-style-type: none"> • Asegúrese de que el regulador esté completamente ajustado en el tanque de propano. Intente desenroscar y volver a apretar la tuerca de acoplamiento. • Asegúrese de que su tanque de propano esté lleno. • Asegúrese de presionar y mantener presionado el botón de encendido. Puede ser necesario presionar varias veces para que el gas se encienda. • Verifique que el electrodo esté generando chispas. Para hacerlo, asegúrese de que la válvula esté cerrada en su tanque. Mantenga presionado el botón de encendido mientras mira hacia las hornillas. Debería ver una chispa saliendo de los electrodos. Si no hay chispa, verifique lo siguiente: <ol style="list-style-type: none"> 1. Asegúrese de que la batería esté instalada correctamente con el extremo + hacia la tapa de la batería. 2. Intente reemplazar la batería. 3. Desenrosque y vuelva a instalar la tapa de la batería. Asegúrese de que los hilos encajen y la tapa esté completamente ajustada. 4. Verifique que las conexiones de los cables estén bien ajustadas.
<p>Mi quemador se enciende, ¿pero por qué no se mantiene encendido?</p>	<ul style="list-style-type: none"> • Asegúrese de que su tanque tenga propano. • El quemador puede tener dificultades para mantenerse encendido en condiciones ventosas. Si hace viento, permita que el aparato se enfríe e intente moverlo a un lugar menos ventoso. • Intente ajustar la perilla del regulador y cocinar a una temperatura diferente.
<p>Mi quemador se enciende, pero no sale suficiente calor, ¿por qué la llama no se hace más grande?</p>	<p>A. 1. Gire la válvula del regulador en posición OFF (en sentido contrario a las agujas del reloj). Cierre completamente la válvula del cilindro girándola en sentido horario hasta que se detenga.</p> <p>2. Verifique que la Conexión Tipo 1 [perilla negra] esté completamente ajustada a la válvula del cilindro.</p> <p>3. Espere 5 segundos para que la presión se iguale y para que el dispositivo limitador de flujo se restablezca.</p> <p>4. Abra la válvula del cilindro (en sentido contrario a las agujas del reloj).</p> <p>5. Abra la válvula del regulador (en sentido de las agujas del reloj).</p> <p>6. Vuelva a encender la caldera siguiendo todas las instrucciones de encendido contenidas en este Manual del Propietario. Verifique la llama adecuada.</p> <p>B. 1. Gire la válvula del regulador en posición OFF (en sentido contrario a las agujas del reloj). Cierre completamente la válvula del cilindro girándola en sentido horario hasta que se detenga.</p> <p>2. Retire la Conexión Tipo 1 [perilla negra/verde] de la válvula del cilindro. El dispositivo limitador de flujo se restablecerá.</p>

	<p>3. Vuelva a colocar la Conexión Tipo 1 (perilla negra/verde) en la válvula del cilindro. Apriete completamente.</p> <p>4. Abra la válvula del cilindro (en sentido contrario a las agujas del reloj).</p> <p>5. Abra la válvula del regulador (en sentido de las agujas del reloj).</p> <p>6. Vuelva a encender el quemador siguiendo todas las instrucciones de encendido contenidas en este Manual del Propietario. Verifique la llama adecuada.</p>
¿Cuánto tiempo durará el gas en mi cilindro?	En promedio, un cilindro lleno le proporcionará de 4 a 5 horas de cocción normal.
Cómo volver a encender la llama	<p>Soluciones diferentes para causas distintas.</p> <p>1. Nivel bajo de gas en el cilindro de LP, o el cilindro está vacío. Verifique el nivel de gas en el cilindro de LP.</p> <p>2. Demasiado viento. Verifique la dirección del viento y coloque la cocina lejos de áreas ventosas.</p> <p>3. Quemador bloqueado. Limpie y verifique el quemador en busca de arañas, nidos de insectos y escombros.</p> <p>4. Agua en el quemador. Revise el quemador en busca de humedad, asegúrese de que esté seco.</p> <p>Si su problema no se resuelve utilizando la información de solución de problemas mencionada anteriormente, por favor, póngase en contacto con su distribuidor de gas local. Different solutions for different causes.</p>
¿Qué hacer cuando la llama de la hornilla se apaga accidentalmente?	<p>1. Apague el tanque de LP girándolo en sentido horario hasta detenerse completamente.</p> <p>2. Gire la perilla de control del regulador en sentido antihorario hasta la posición de APAGADO.</p> <p>3. Inspeccione la manguera y asegúrese de que las conexiones estén completas. Después de esperar 5 minutos, reinicie el aparato siguiendo las "INSTRUCCIONES PARA ENCENDER EL QUEMADOR".</p>

GARANTÍA Y SERVICIO

NOTA: El óxido no se considera un defecto de fabricación o de materiales.

Garantía Limitada de OuterMust:

Aquí en OuterMust respaldamos nuestros productos, controles de calidad y nos enorgullecemos de nuestro servicio al cliente. Por esta razón, su nuevo producto OuterMust cuenta con una Garantía Limitada Sin Problemas. Garantizamos que nuestros productos estarán libres de defectos en todos los materiales y mano de obra (excluyendo pintura y acabado) durante el Período de Cobertura de la Garantía descrito. Esta garantía se extiende únicamente al comprador original. Durante el Período de Cobertura de la Garantía, reemplazaremos cualquier pieza o producto defectuoso cubierto por esta garantía cuando se presente una prueba de compra. El reemplazo será sin cargo.

La garantía limitada no le reembolsará por el costo de cualquier inconveniente, alimentos, lesiones personales o daños a la propiedad. Toda la cobertura de garantía quedará anulada si este aparato se utiliza alguna vez con fines comerciales o de alquiler. Esta garantía limitada se aplica únicamente a la funcionalidad del producto y no cubre problemas estéticos como arañazos, abolladuras, corrosión o decoloración causada por el calor, limpiadores abrasivos y químicos o cualquier herramienta utilizada en el montaje o instalación del aparato, oxidación superficial o decoloración de superficies de acero inoxidable.

ELEMENTOS NO CUBIERTOS POR EL SERVICIO DE GARANTÍA

- Cualquier fallo o dificultad de funcionamiento debido a accidentes, abuso, uso indebido, alteración, uso inapropiado, vandalismo, instalación incorrecta o mantenimiento o servicio inadecuado, o el incumplimiento del mantenimiento normal y rutinario, incluido, entre otros, el daño causado por insectos dentro de los tubos de quemadores, tal como se indica en el manual del propietario.
- Deterioro o daño debido a condiciones climáticas severas como granizo, huracanes, terremotos o tornados, decoloración debido a la exposición a productos químicos directamente o en la atmósfera.
- Costos de visitas de servicio a su hogar.
- Costos de desmontaje o reinstalación.
- Recogida y entrega de su producto.
- Costos de envío o transporte.
- Costos de mano de obra para instalación y reparación.
- Responsabilidad por daños indirectos o consecuentes.

Cualquier garantía implícita por la ley no se extenderá más allá de la duración de esta garantía expresa. Algunos estados no permiten limitaciones sobre la duración de una garantía implícita, por lo que la limitación anterior puede no aplicarse a usted. La reparación o el reemplazo según lo proporcionado aquí es su único recurso exclusivo para cualquier producto defectuoso. En ningún caso seremos responsables por daños especiales, incidentales o consecuentes de cualquier tipo derivados de la compra o uso de este producto, ya sea basados en contrato, agravio, estatuto o de otro modo. Algunos estados no permiten la exclusión o limitación de daños incidentales o consecuentes, por lo que la limitación o exclusión anterior puede no aplicarse a usted. Esta garantía le otorga derechos legales específicos, y también puede tener otros derechos que varían según el estado.

Debido a que OuterMust no puede controlar la calidad de los productos vendidos por vendedores no autorizados, esta garantía limitada se aplica solo a los productos que fueron adquiridos de OuterMust o un vendedor autorizado de OuterMust en los Estados Unidos, a menos que lo prohíba la ley. OuterMust se reserva el derecho de rechazar reclamaciones de garantía de compradores de productos adquiridos a vendedores no autorizados, incluidos sitios web no autorizados de Internet. Guarde todos los recibos de venta originales del distribuidor autorizado. Se requiere comprobante de compra para obtener servicios de garantía. Cualquier pieza o producto devuelto sin autorización por escrito será desechado sin previo aviso.

Si tiene alguna pregunta, por favor contáctenos a:

Service@outermust.com

OuterMust™
BETTER THAN GOOD

www.outermust.com