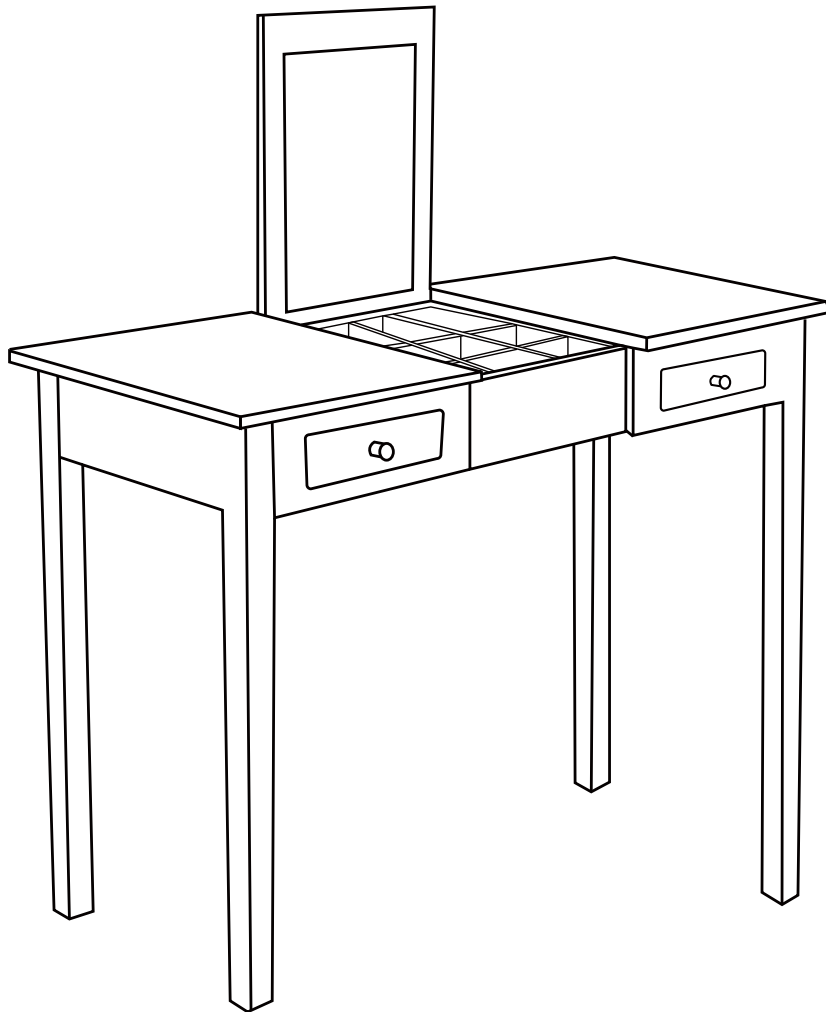











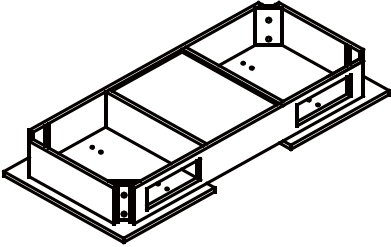
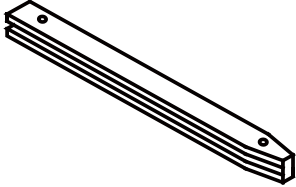
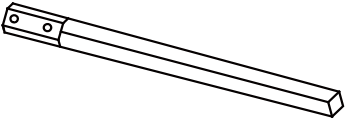
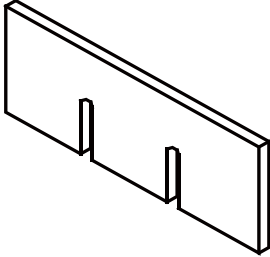
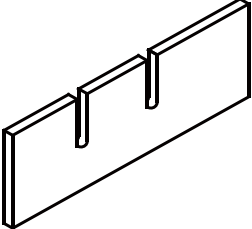
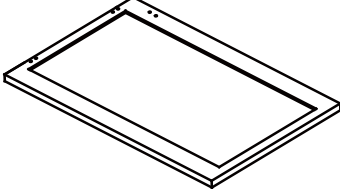
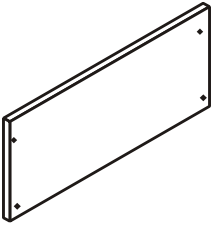
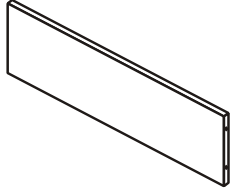
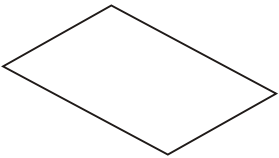
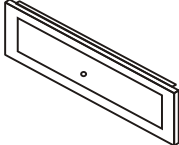
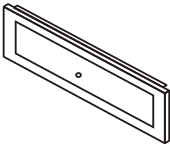
# Assembly Instructions



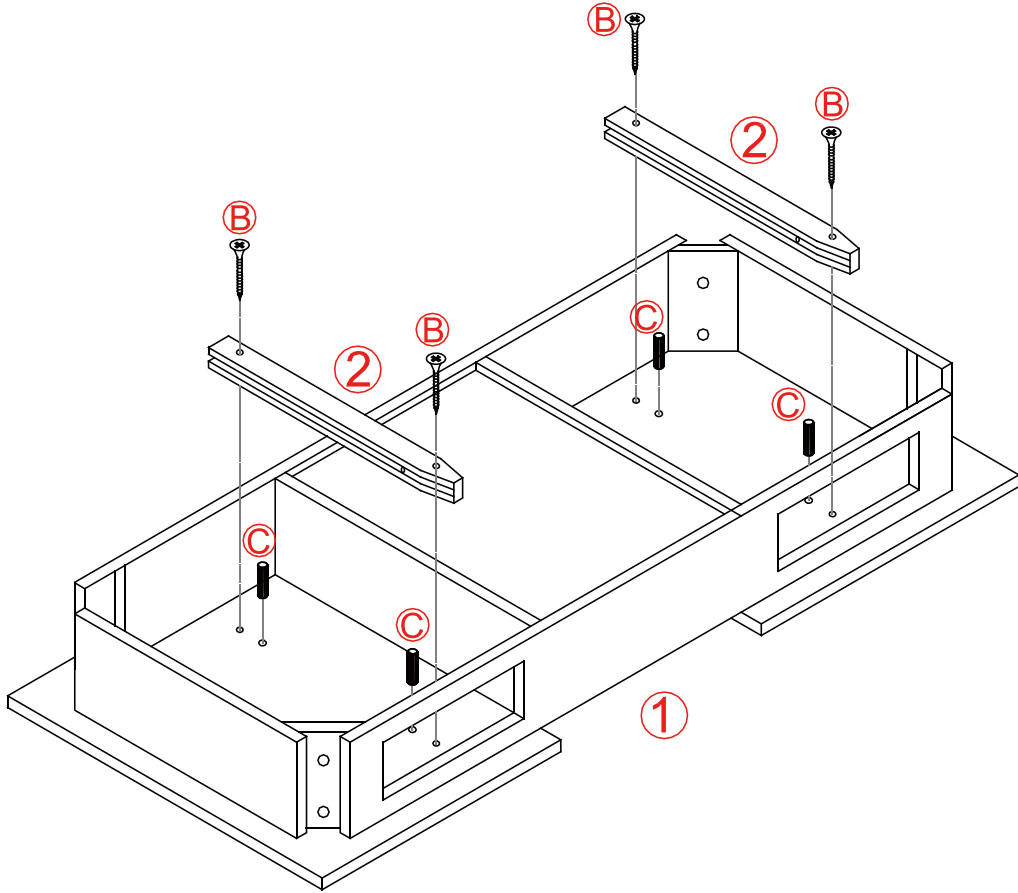
## Hardware List

ITEM	DESC	PART	QTY	ITEM	DESC	PART	QTY
A		 6x45mm	8 PCS	G			2 PCS
B		 4 x 25 mm	20 PCS	H			2 PCS
C		 6x30mm	6 PCS	I		 4x20mm	2 PCS
D		 3 x12 mm	20 PCS				
E			2 PCS				
F			2 PCS				

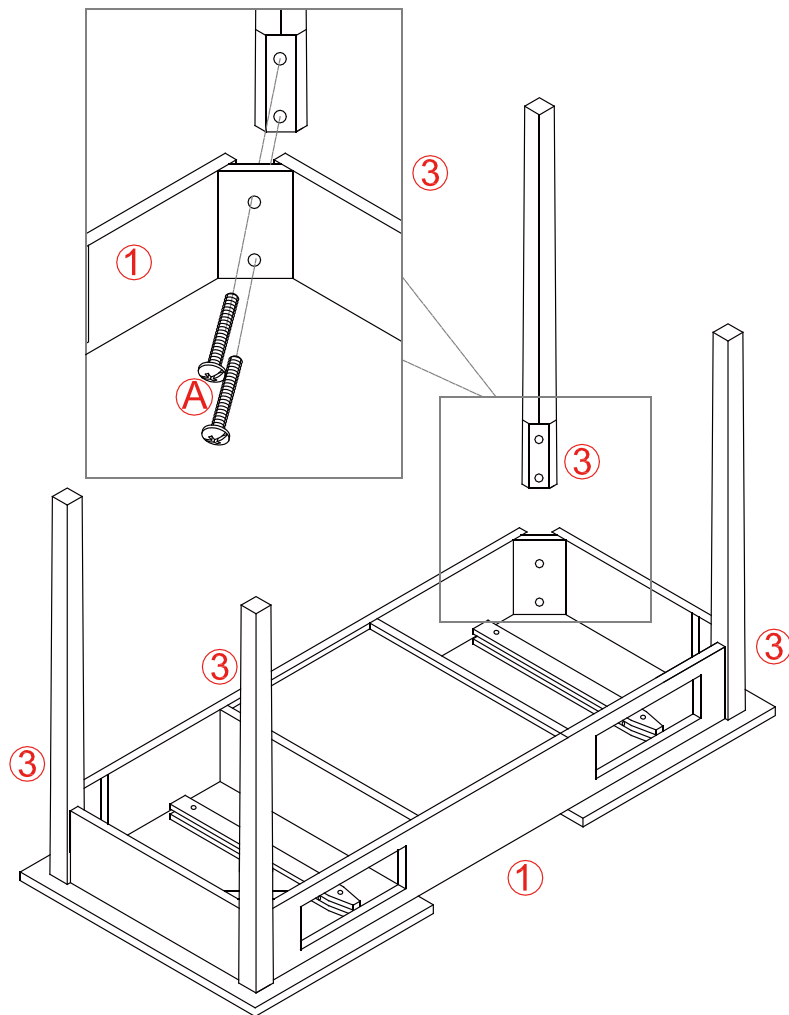
# Part List

ITEM	PART	QTY	ITEM	PART	QTY
1		1pc	2		2pcs
3		4pcs	4		2pcs
5		2pcs	6		1pc
7		4pcs	8		2pcs
9		2pcs	10		1pc
11		1pc			

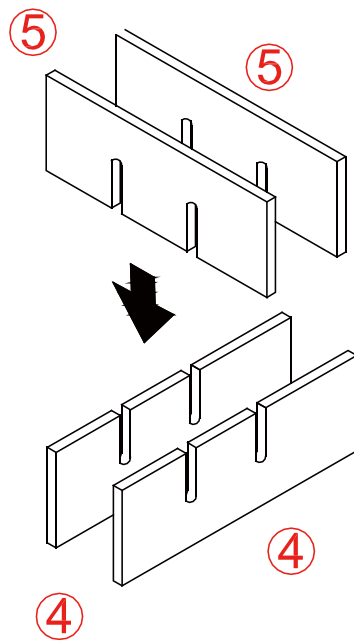
# STEP 1



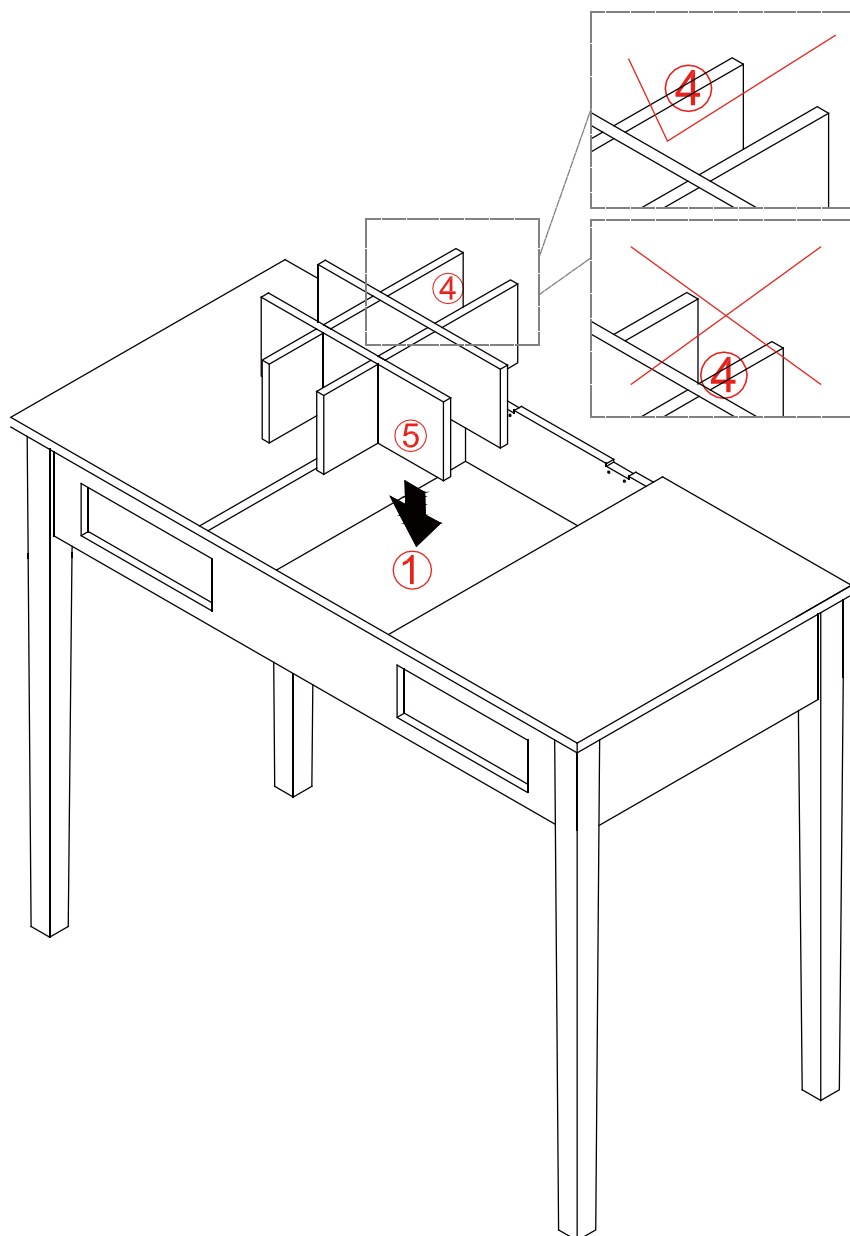
# STEP 2



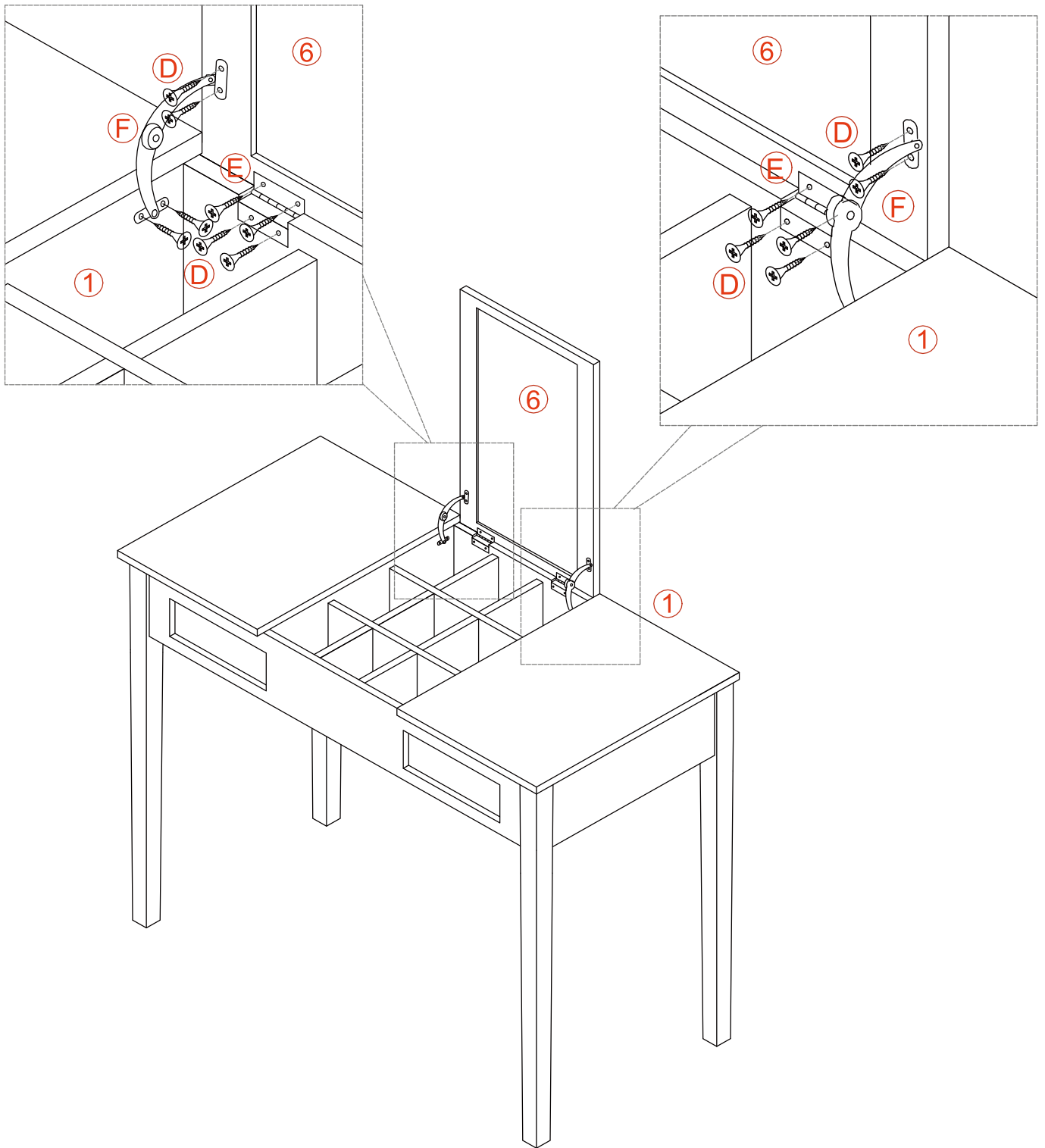
## STEP 3



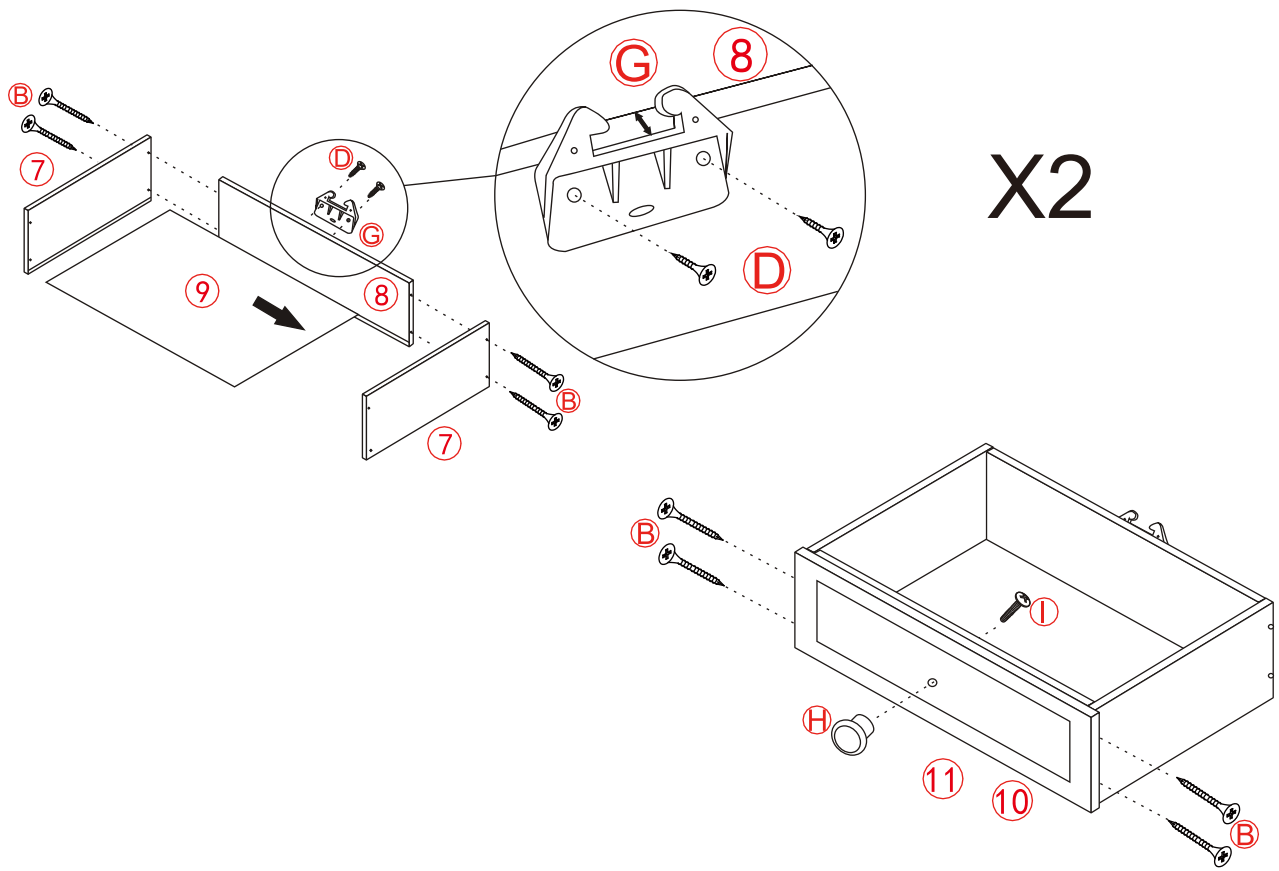
## STEP 4



# STEP 5



## STEP 6



## STEP 7

