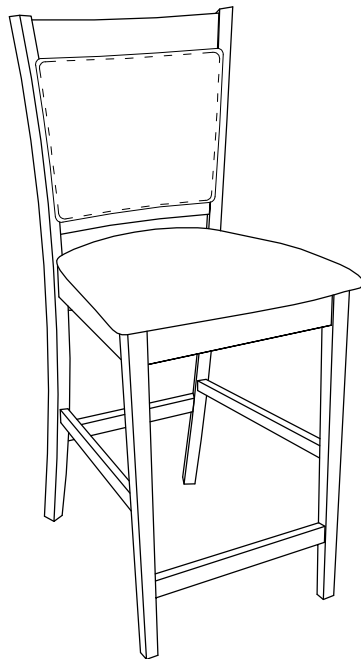


# *ASSEMBLY INSTRUCTIONS*



## ***Counter Height Chair***

# ASSEMBLY INSTRUCTIONS

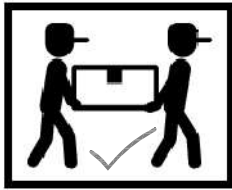
## ASSEMBLY TIPS :

1. Remove hardware from box and sort by size.
2. Please check to see that all hardware and parts are present prior to start of assembly.
3. Please follow attached instructions in the same sequence as numbered to assure fast & easy assembly.

### WARNING !



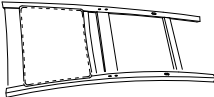
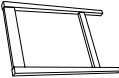
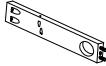

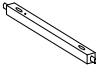
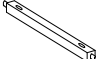
1. Don't attempt to repair or modify parts that are broken or defective. Please contact the store immediately.
2. This product is for home use only and not intended for commercial establishments.






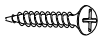
ASSEMBLY TIME

20 MINUTES

## PARTS IDENTIFICATION

A	BACK FRAME		1PC
B	FRONT LEG FRAME		1PC
C	SIDE RAIL		2PCS
D	SEAT CUSHION		1PC
E1	RIGHT STRETCHER		1PC
F1	LEFT STRETCHER		1PC

## HARDWARE IDENTIFICATION

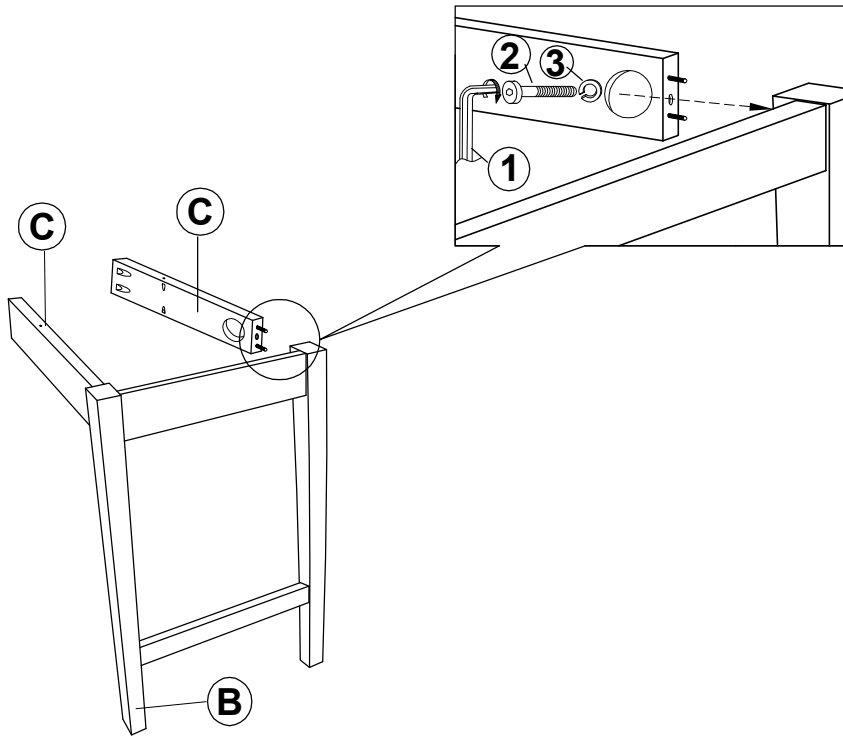
1	ALLEN WRENCH (M4 x 110MM - BLK)		1PC
2	BOLT (M6 x 45mm - RBW)		6PCS
3	LOCK WASHER (1/4" - BLK)		6PCS
4	PAN HEAD SCREW (#8 x 1 1/4" - BLK)		7PCS

### NOTE :

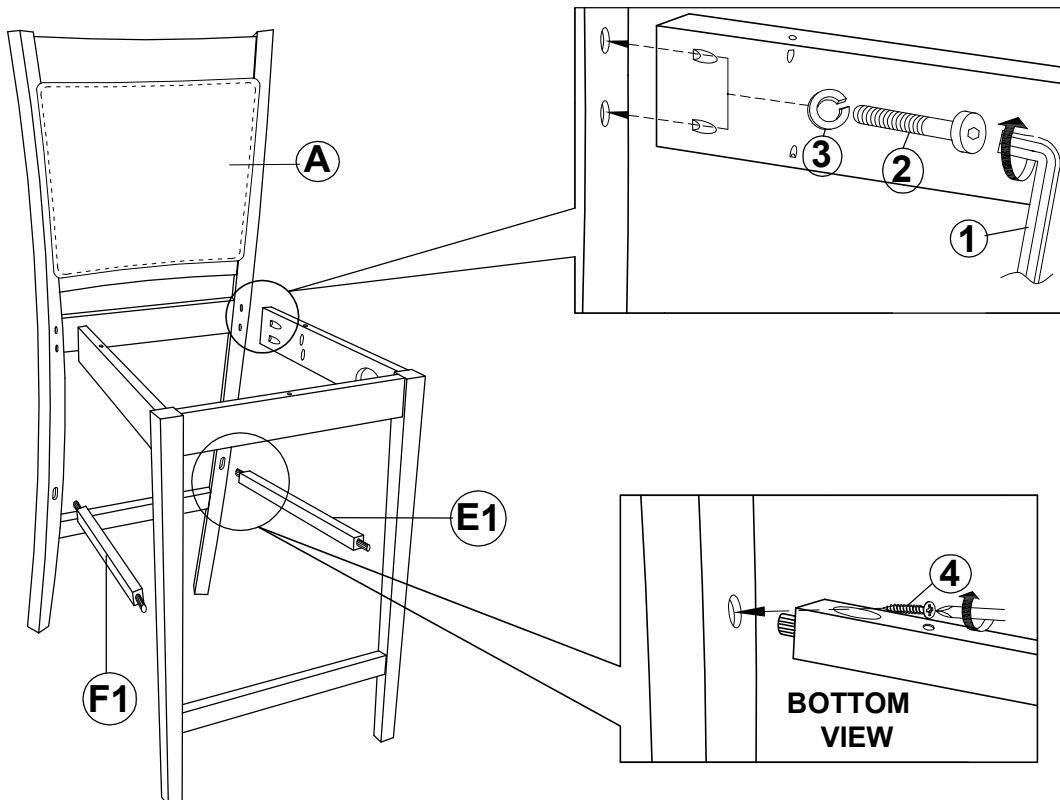
Phillips head screw driver is required in the assembly process ; However, manufacturer not provide this item. Quantities shown are for one chair.

# ASSEMBLY INSTRUCTIONS

## STEP 1

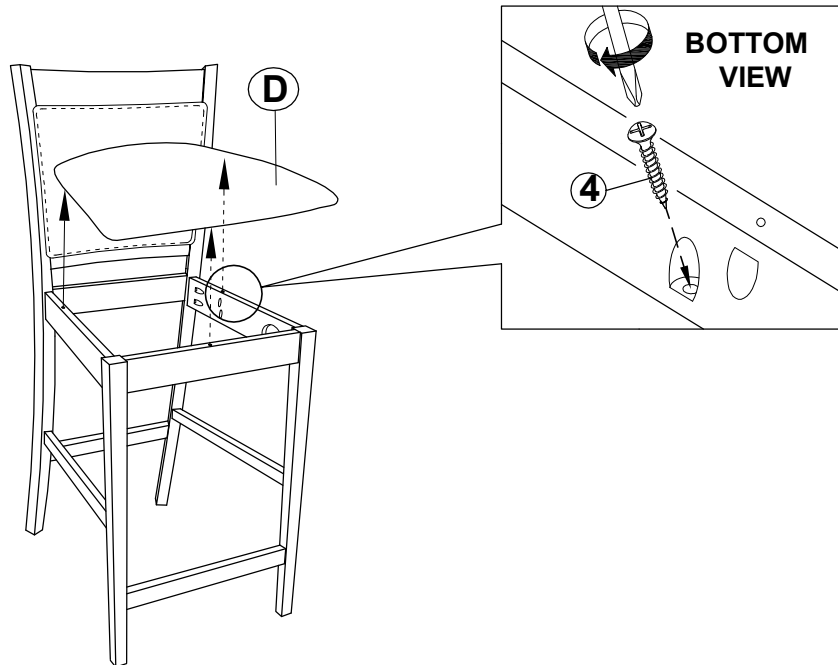


## STEP 2

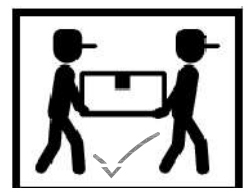
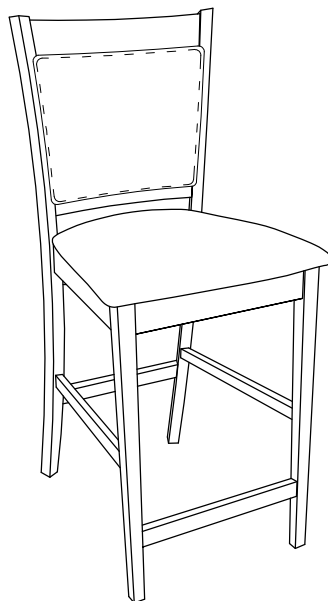


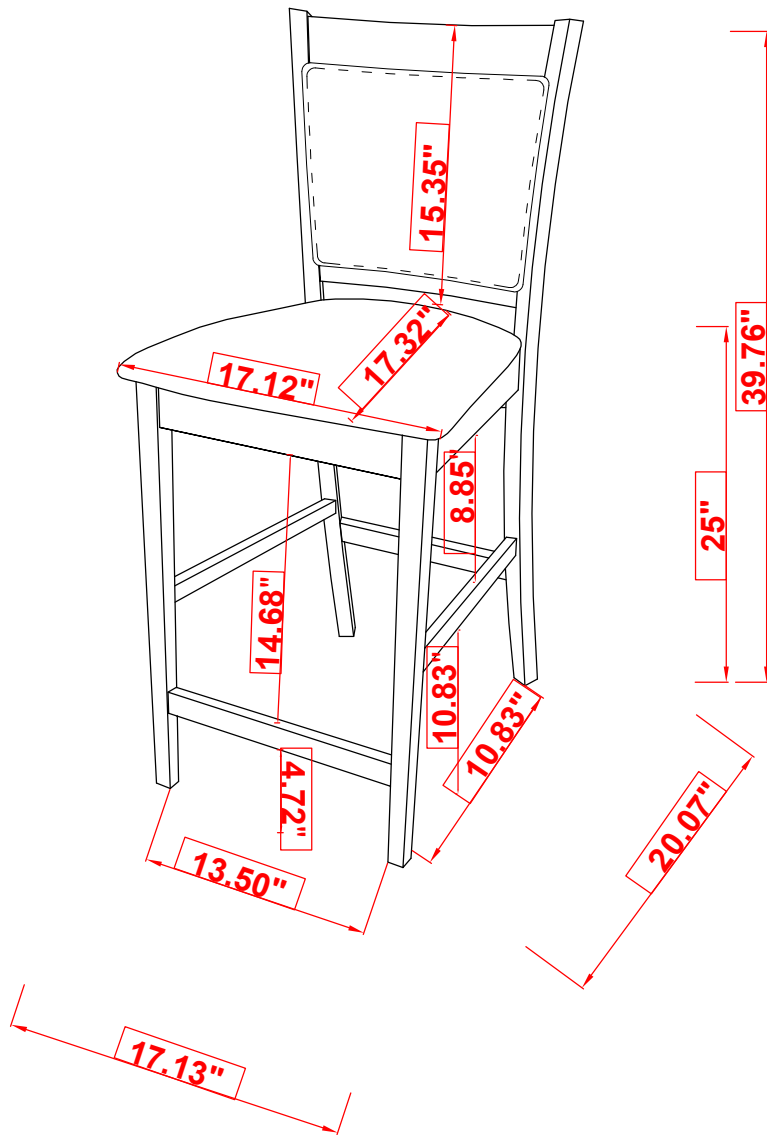
# ASSEMBLY INSTRUCTIONS

## STEP 3



## STEP 4 **COMPLETE**





**Note :** Dimension tolerance  $\pm 5\%$