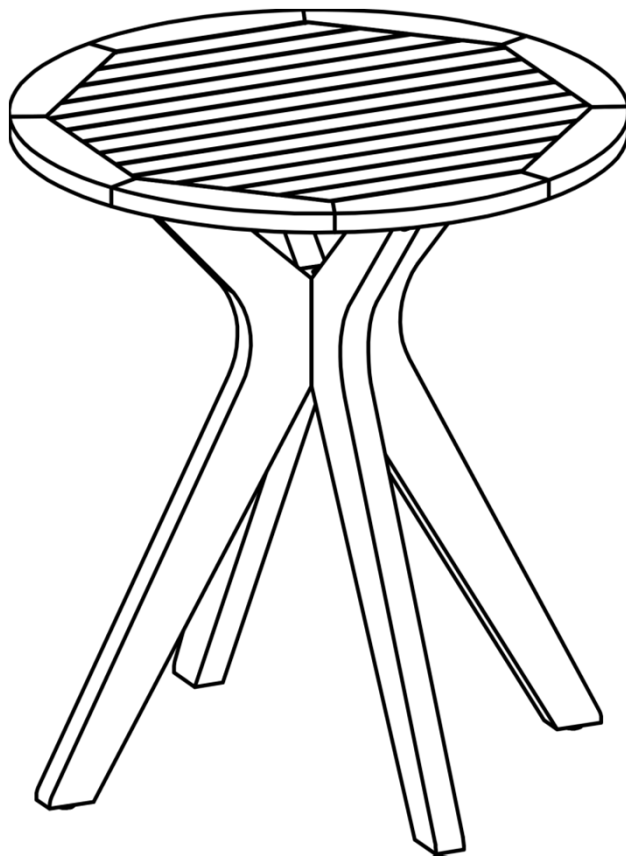


Assembly Instructions

Caution: You must read this before you proceed

Please look in the  for hardware packs.

Table

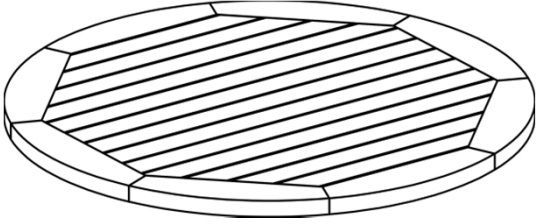
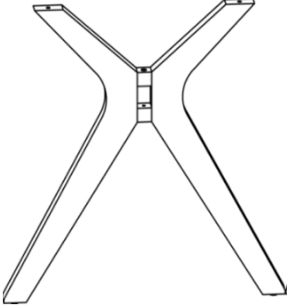
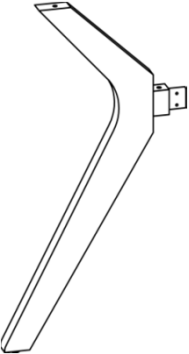
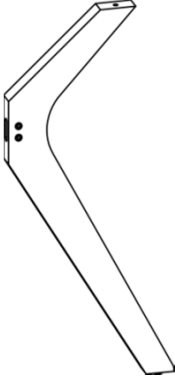


Caution: This Table is NOT a TOY

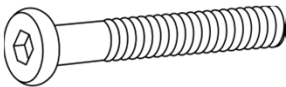
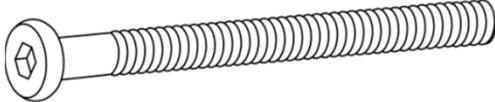
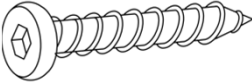


Keep your child/ children at bay during the assembly process.

Whenever moving/lifting the Table and to prevent damage to the Table, two adults are needed to execute these actions.

Parts List

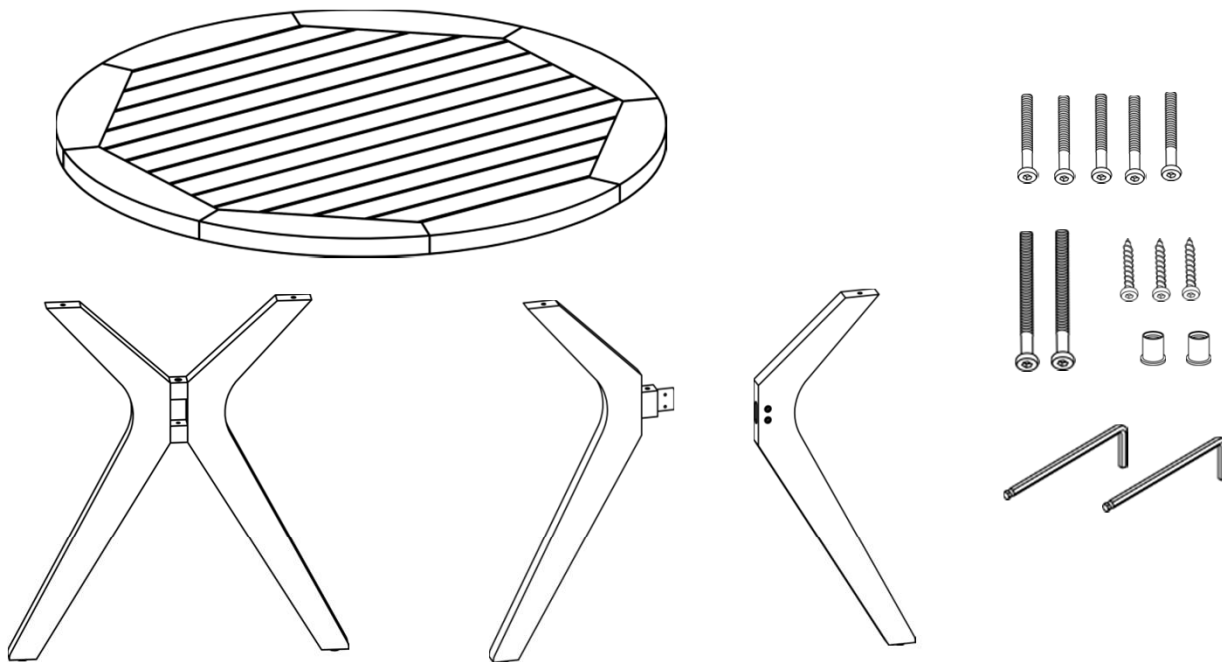
Label	Picture	Description	QTY
A	 A perspective drawing of a circular table top. The top surface is covered in a grid of diagonal lines, suggesting a woven or mesh-like material. The top is slightly raised at the edges, forming a shallow rim.	Table Top	1
B	 A perspective drawing of a single leg component. It has a central vertical section with a small rectangular notch at the top. From this central section, two arms extend outwards and downwards, forming an 'X' shape. The arms are slightly curved.	First Leg	1
C	 A perspective drawing of a single leg component. It is a long, thin, slightly curved piece. At the top, it has a small rectangular notch. At the bottom, there is a small rectangular protrusion with a hole, likely for assembly.	Second Leg	1
D	 A perspective drawing of a single leg component. It is a long, thin, slightly curved piece. At the top, there are two small circular holes. At the bottom, there is a small rectangular protrusion with a hole, similar to the second leg.	Third Leg	1

Hardware

Label	Picture	Description	QTY
①		Bolt (M8x50mm)	5
②		Bolt (M6x110mm)	2
③		Screw (M6x25mm)	3
④		Sleeve Nut	2
⑤		Allen Key	2

Assembly Preparation

Before Beginning Assembly:



- Read instructions, cover to cover-



- Have 2 adults on hand for assembly-



- Do not assemble on flooring or carpet-



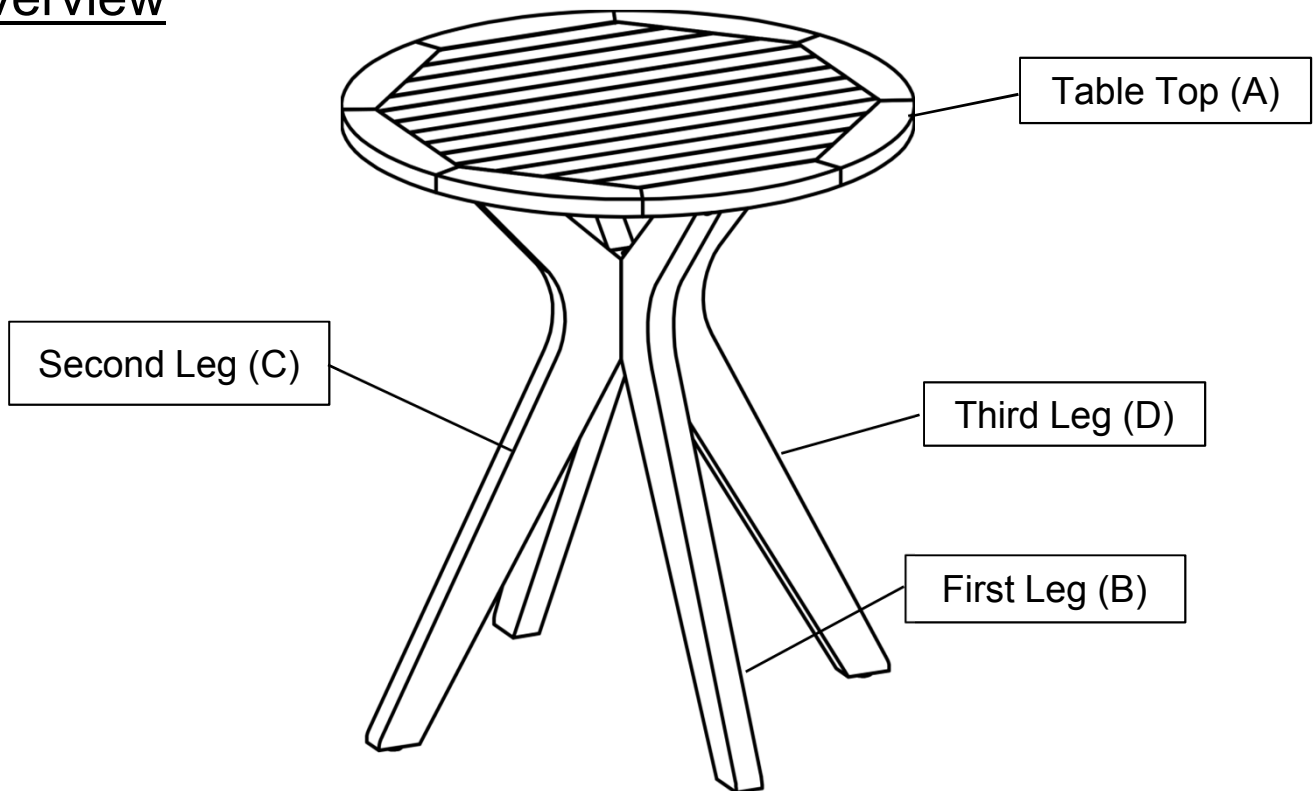
- Assemble on a clean non-marring surface (packing foam)-



- Save all packaging until finished-

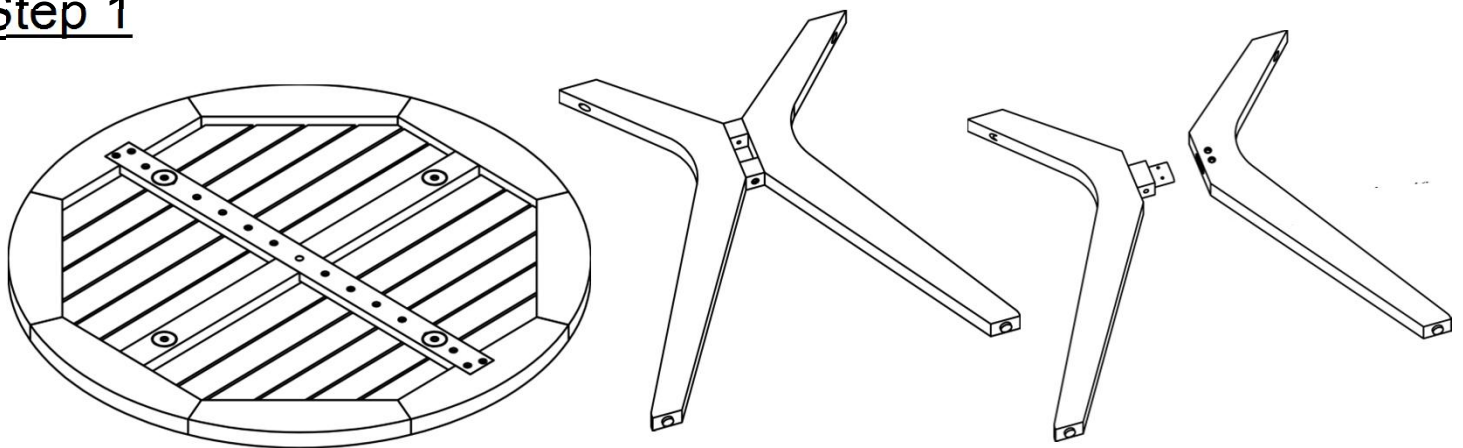
Assembly Steps

Overview



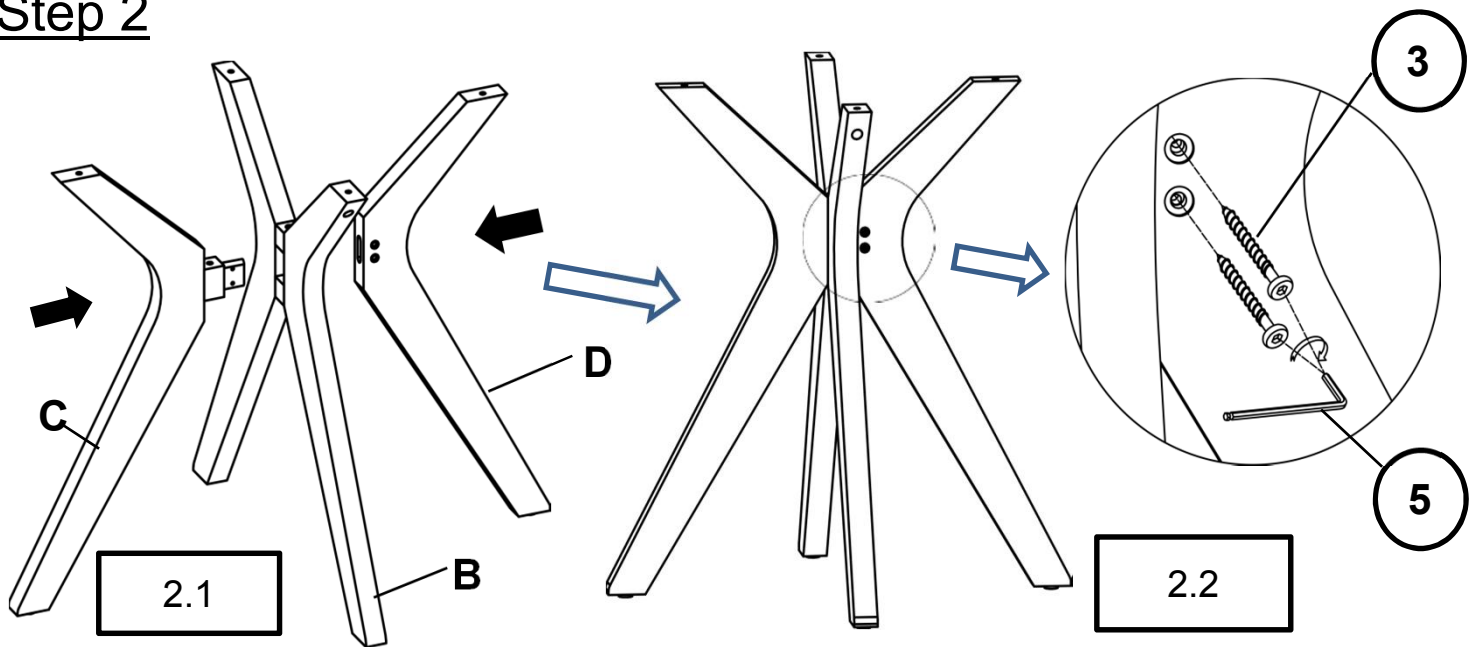
This Table has multiple parts and may require up to 30 minutes to assemble. To give you an overview of the Table parts, the above picture is to help you put the various parts into perspective. Please read through the instructions below to familiarise yourself with the parts and steps before assembly.

Step 1



Unpack and place all parts on a clean, non-marring surface.

Step 2

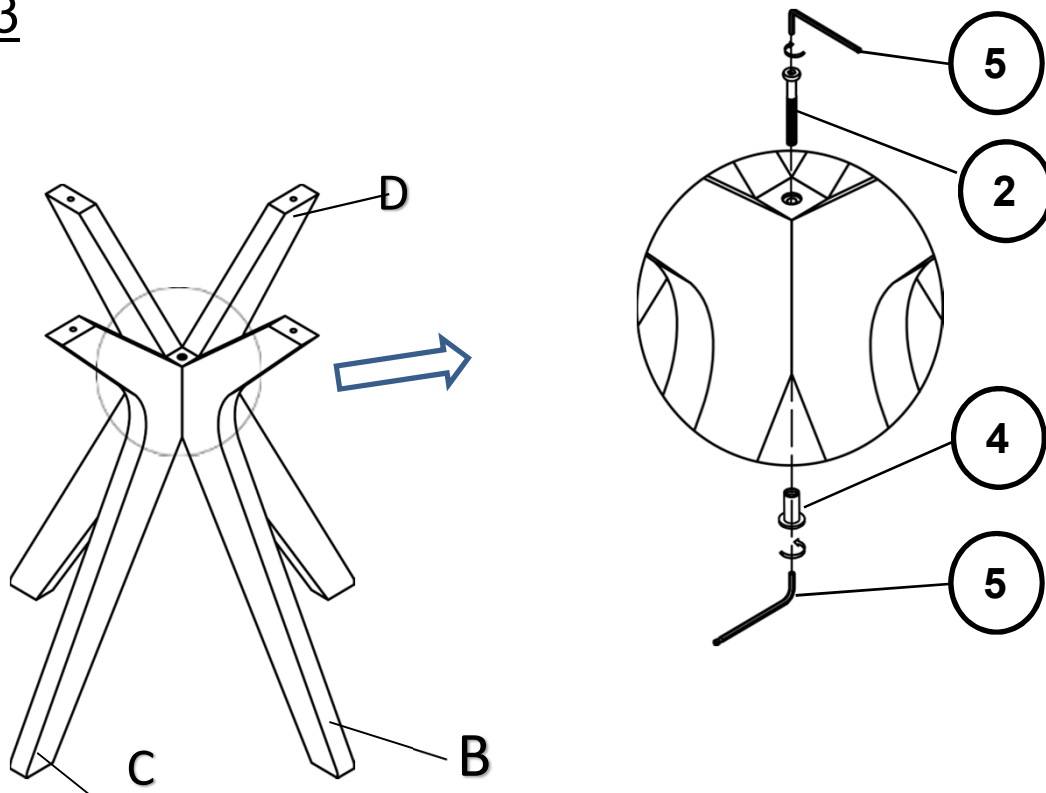


2.1) Insert Second Leg(C) and Third Leg(D) through the First Leg(B) as shown above.

2.2) Attach Second Leg(C) to Third Leg(D) using Screws(③) with Allen Key(⑤).

Do not fully tighten the Screws.

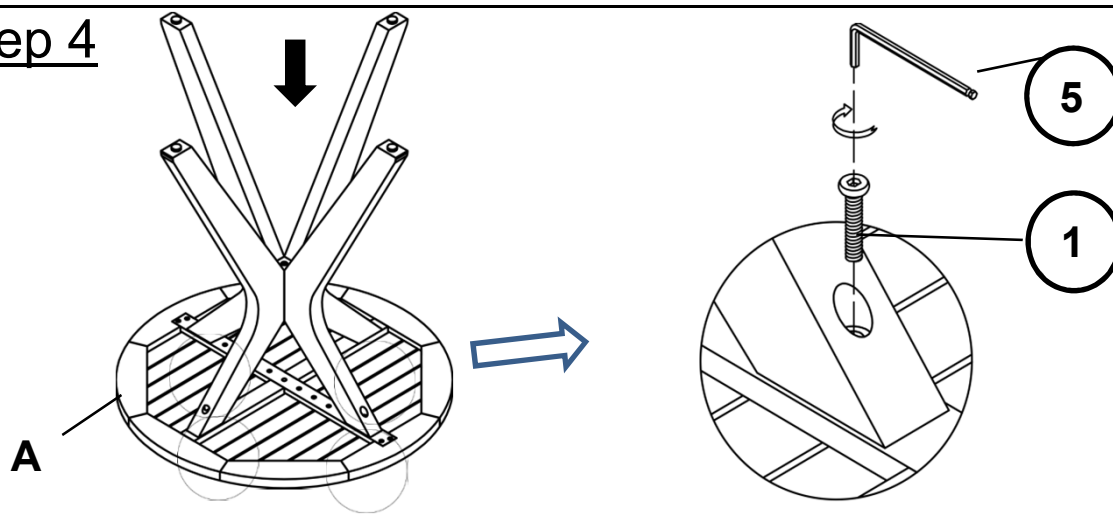
Step 3



Then, attach First Leg(B) to Second Leg(C) and Third Leg(D) using Bolt(②) and Sleeve(④) with Allen Keys(⑤).

Do not fully tighten the Bolt.

Step 4



Attach Leg Frame to the Table Top(A) using Bolts(①) with Allen Key(⑤).
Do not fully tighten the Bolts.

Step 5



Stand the Table up, with assistance from your partner.

EXERT pressure, floorwards, onto the Table.

This pressure will help the Legs and Table Top reach alignment at all joints.

Check for wobbles on a level surface.

If no wobbles are found, a sequential manner, gradually tighten all Bolts and Screws until evenly secured.

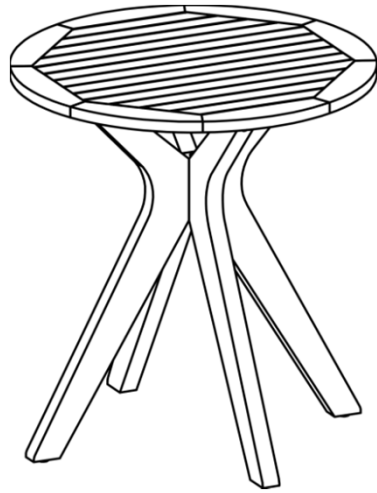
When tightening the Bolts and Screws tighten sequentially.

Do not tighten any Bolt or Screw fully and then move on towards the next one. This could cause the frame to warp.

If there are still wobbles, loosen the Bolts and Screws and execute the same process.

If the Table is not Stable it could lead to damage to the product.










Step 6



Your Table is ready for use.

This Table can only be used on a flat, level surface.

Care & Maintenance

- ⊘  ● Do not put hot items directly on furniture surface
 - ⊘  ● Do not clean furniture with harsh cleansers or polish.
 - ✓  ● To obtain the longest lifespan of your outdoor products, minimizing exposure to direct sunlight is recommended.
 - ⊘  ● Children should not climb or jump on the furniture.
 - ⊘  ● Do not write on furniture without a padded barrier to protect the surface.
 - ✓  ● To obtain the longest lifespan of your outdoor products, avoid extended and lengthy exposure to rain, snow, and direct sunshine. Whenever possible cover the product and /or place under patio or awnings.
 - ⊘  ● Not for commercial use. For residential use only .
 - ⊘  ● Stains may be removed with mild soap solution and damp cloth.
-
- ✓  ● Dust and pick-up spills using a clean, non-colored, lint-free cloth .