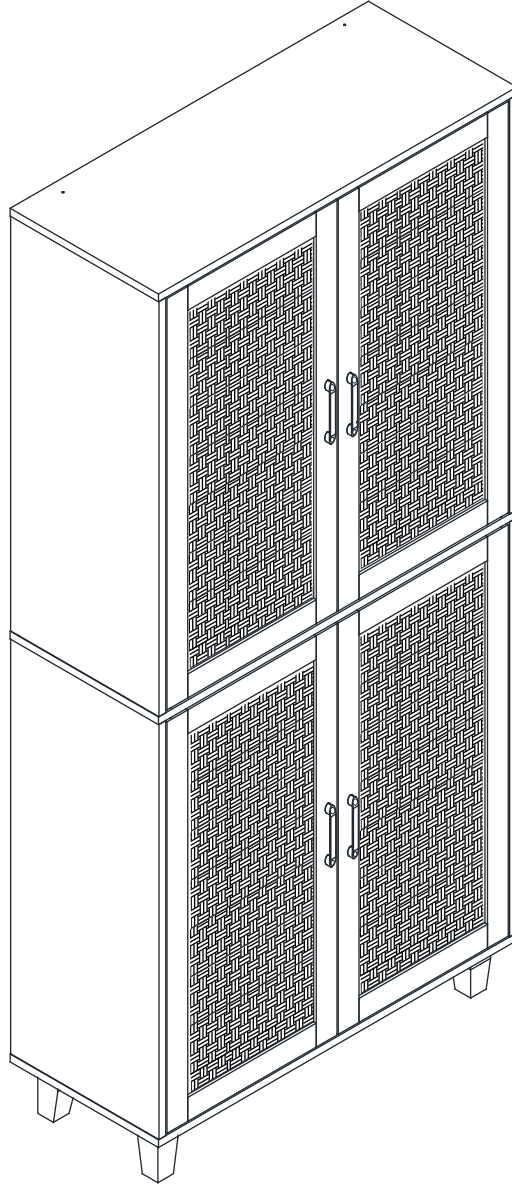


# Installation Instruction



Product Name

---

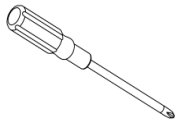
**4 Door Cabinet**

# Assembling

---

## What you need

- Use the packaging carton as a working surface to prevent product damage during assembly
- Phillips head screwdriver



---

## Weight Limitation



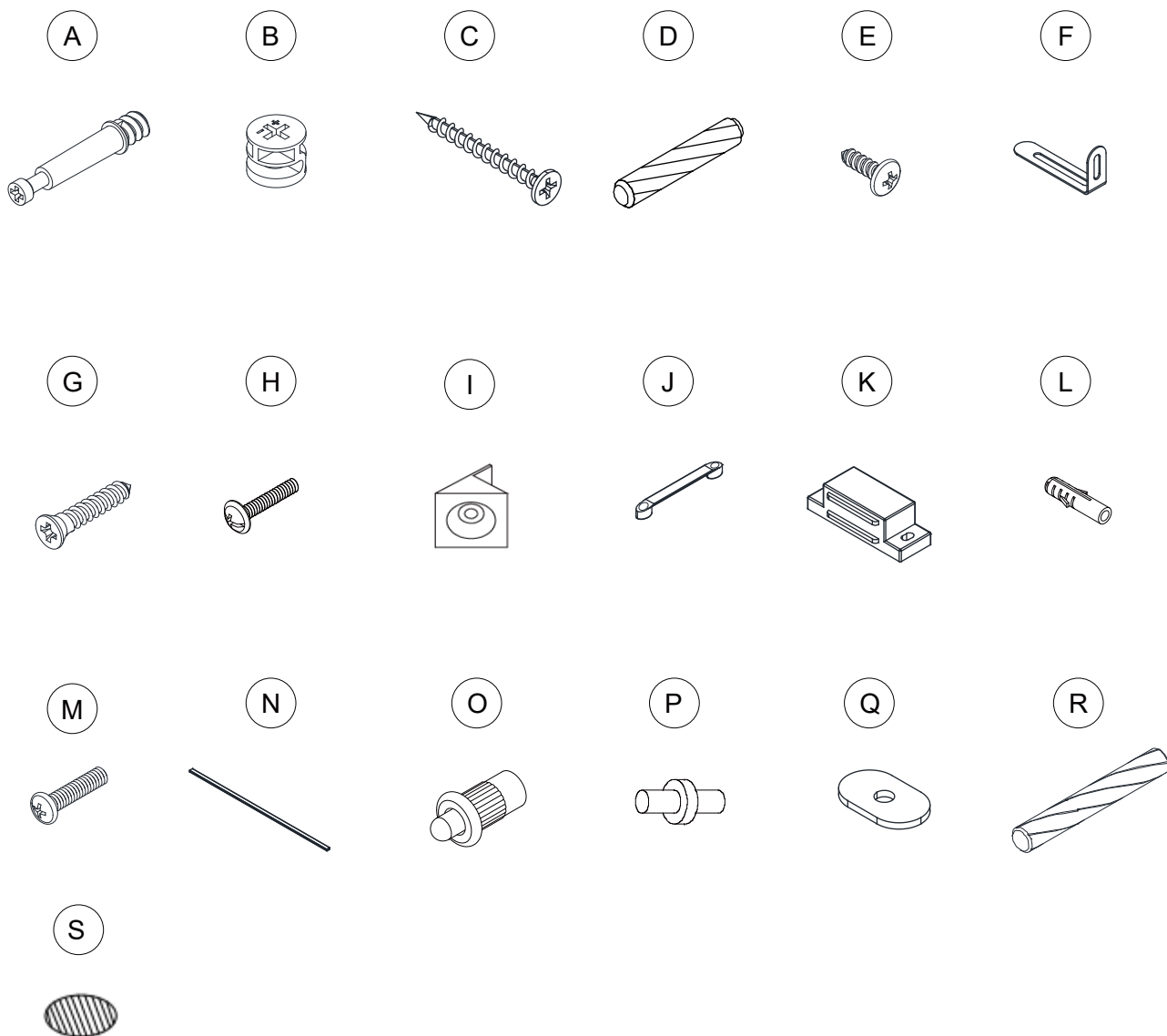
2 PERSONS

# What's included

---

Code	Description	Qty
A	Cam Bolt M6X35MM	14
B	Cam Lock 15X10MM	14
C	Screw M4X35MM	10
D	Wooden Dowel M6X30MM	16
E	Screw M4X14MM	2
F	Metal Plate	2
G	Screw M3X14MM	28
H	Bolt M4X20MM	8
I	Plastic Corner Support	12
J	Handle	4
K	Magnetic Door Catcher	4
L	Anchor M6X30MM	2
M	Bolt M6X25MM	8
N	Plastic Strip	2
O	Plastic Pin	8
P	Metal Support	8
Q	Door Metal Plate	8
R	Wooden Dowel M6X50MM	4
S	Screw Hole Sticker	8

# The Hardware



## IMPORTANT:

1. Do not tighten bolts / screws completely until all bolts / screws are lined up and inserted into holes.
2. Do not over tighten screws and bolts to avoid stripping.
3. Please use hand tools to assemble this product. Do not use power tools.
4. Must need 2 people to assemble this product.

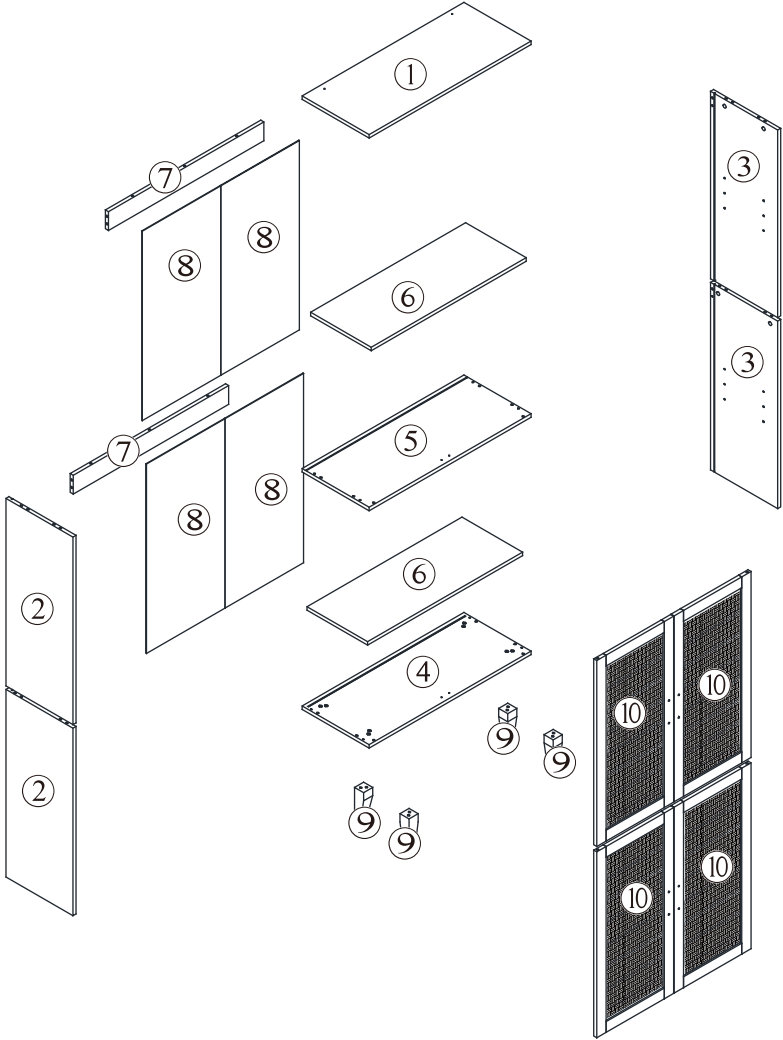


2 PERSONS

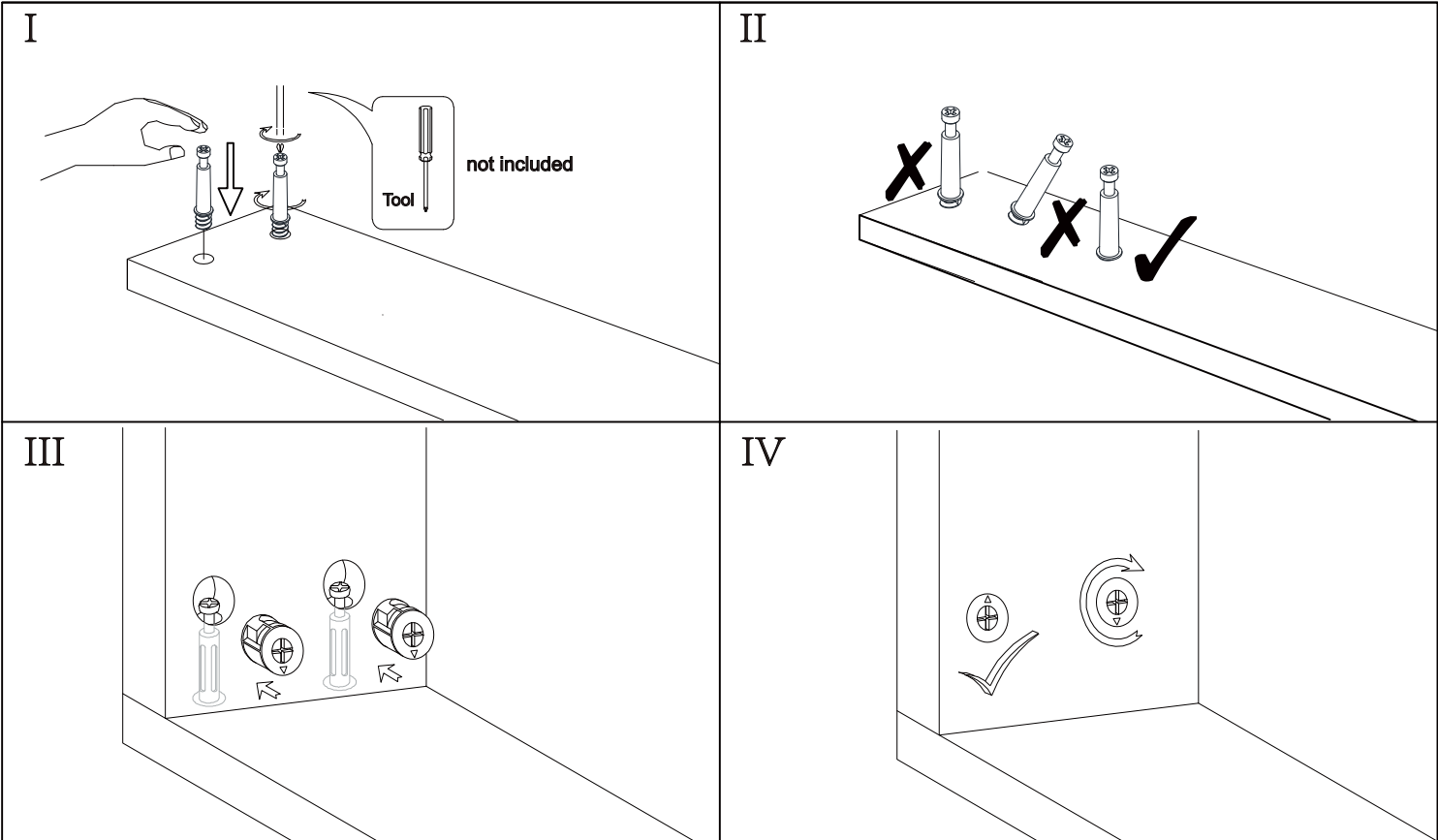
# Included Accessories

<b>Code</b>	<b>Description</b>	<b>Qty</b>
<b>1</b>	<b>Cabinet Top</b>	<b>1</b>
<b>2</b>	<b>Left Side Panel</b>	<b>2</b>
<b>3</b>	<b>Right Side Panel</b>	<b>2</b>
<b>4</b>	<b>Bottom Panel</b>	<b>1</b>
<b>5</b>	<b>Partition Panel</b>	<b>1</b>
<b>6</b>	<b>Shelf</b>	<b>2</b>
<b>7</b>	<b>Back Stretcher</b>	<b>2</b>
<b>8</b>	<b>Back Panel</b>	<b>4</b>
<b>9</b>	<b>Feet</b>	<b>4</b>
<b>10</b>	<b>Door</b>	<b>4</b>

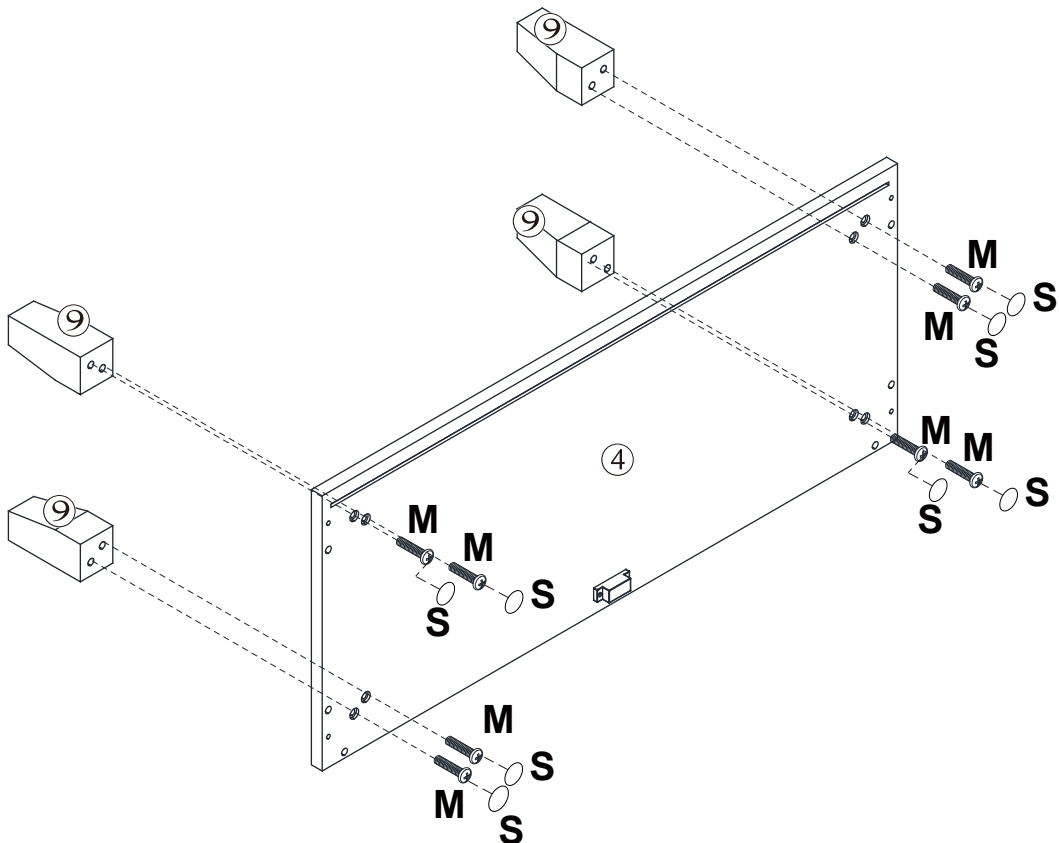
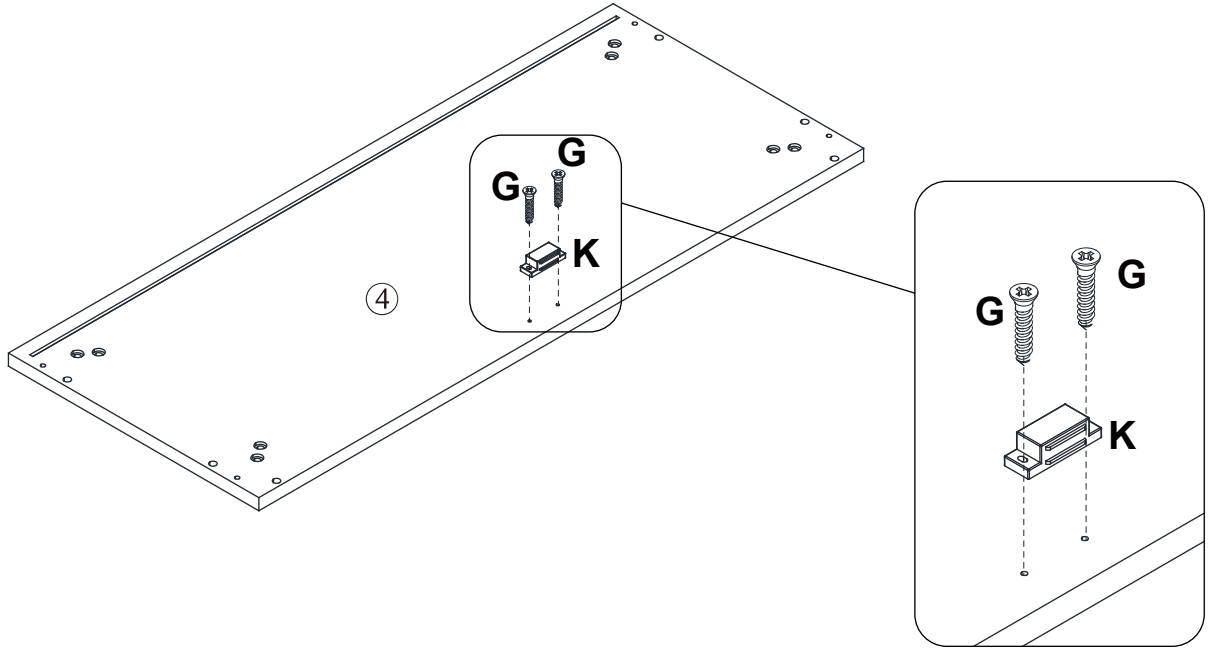
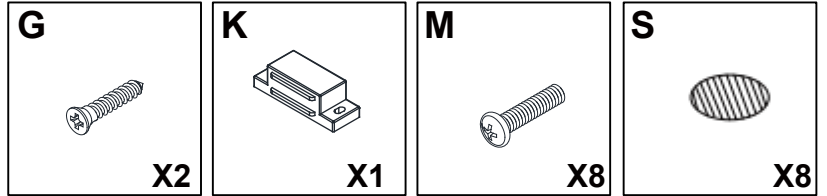
# The Accessoriess



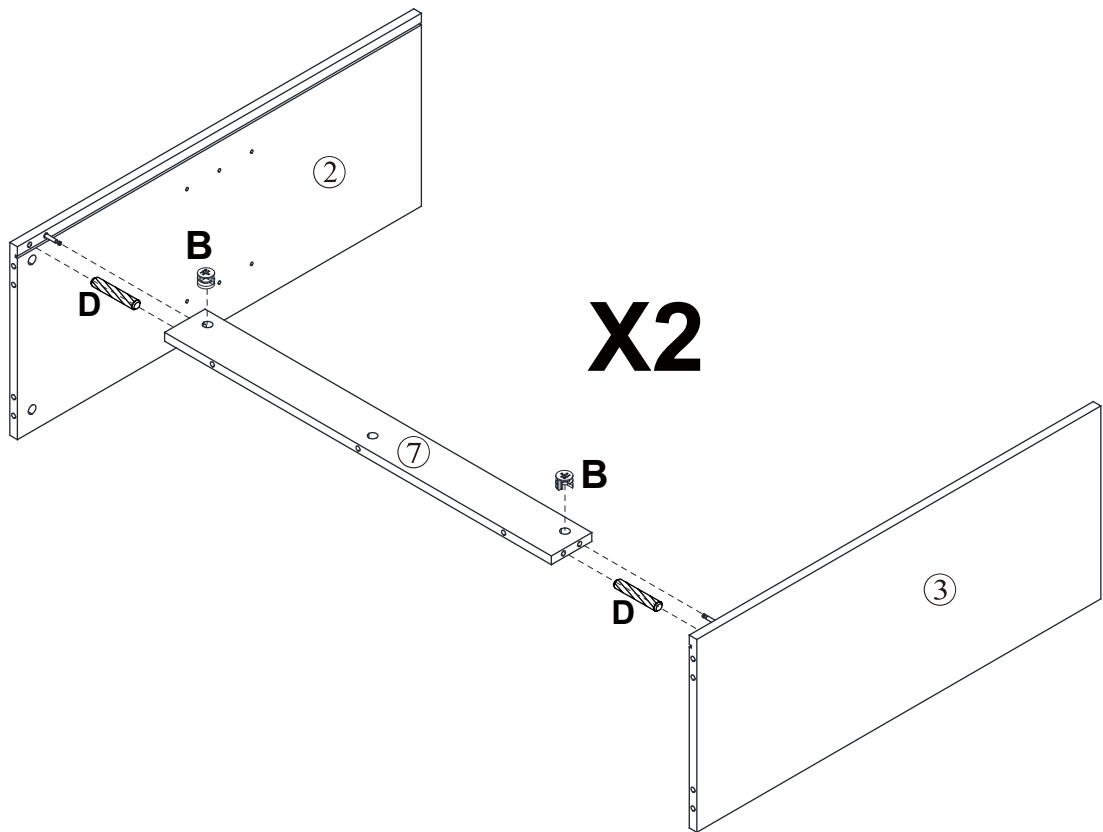
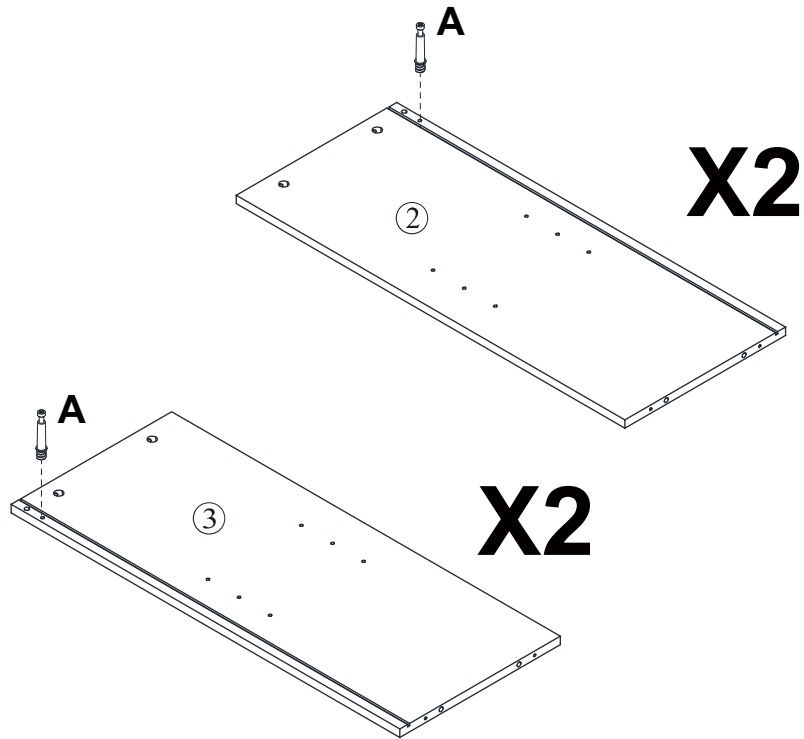
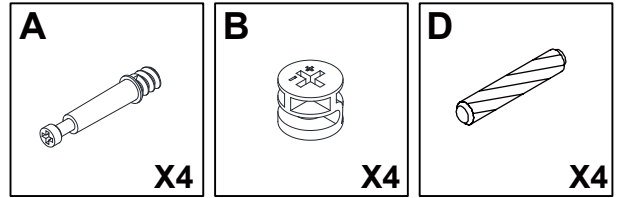
**NOTED:**



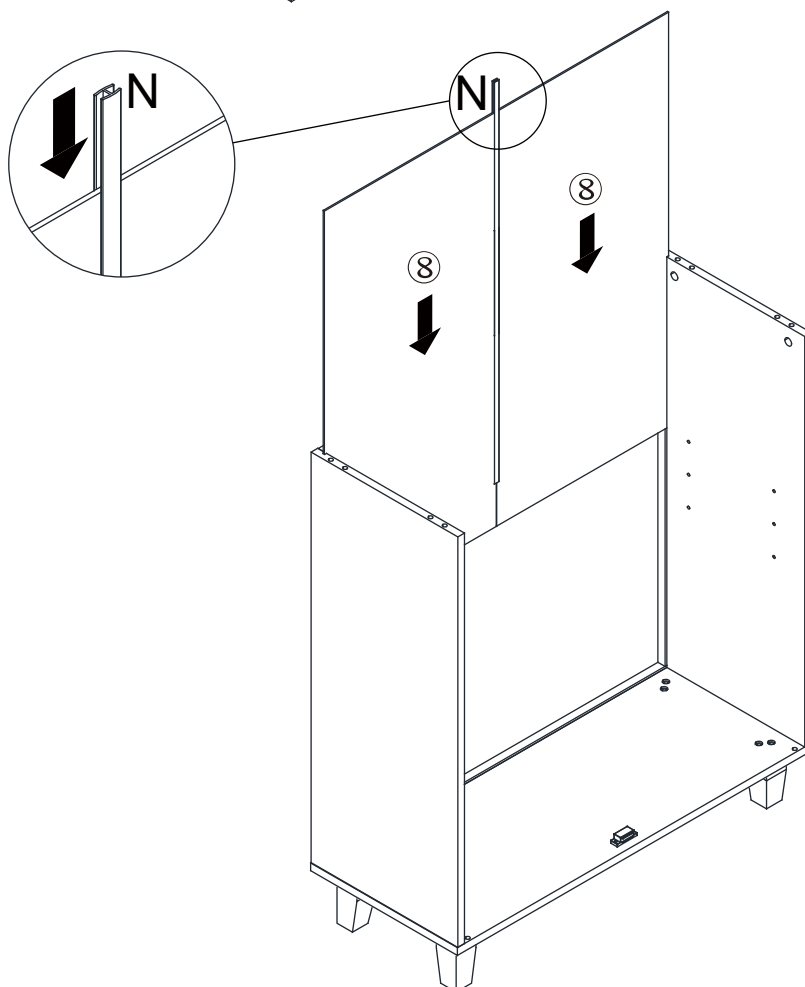
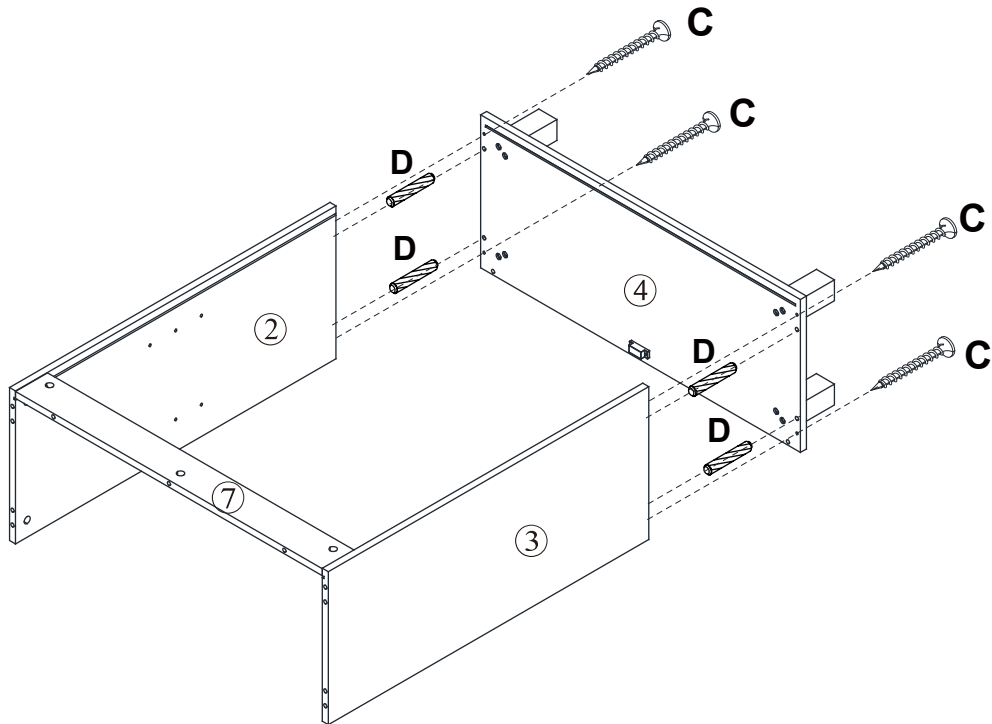
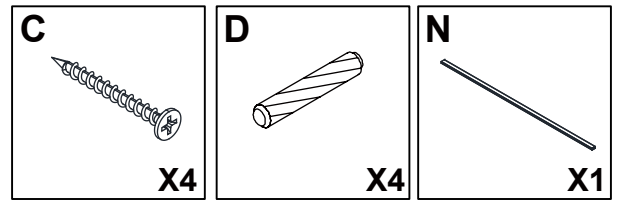
# Step 1



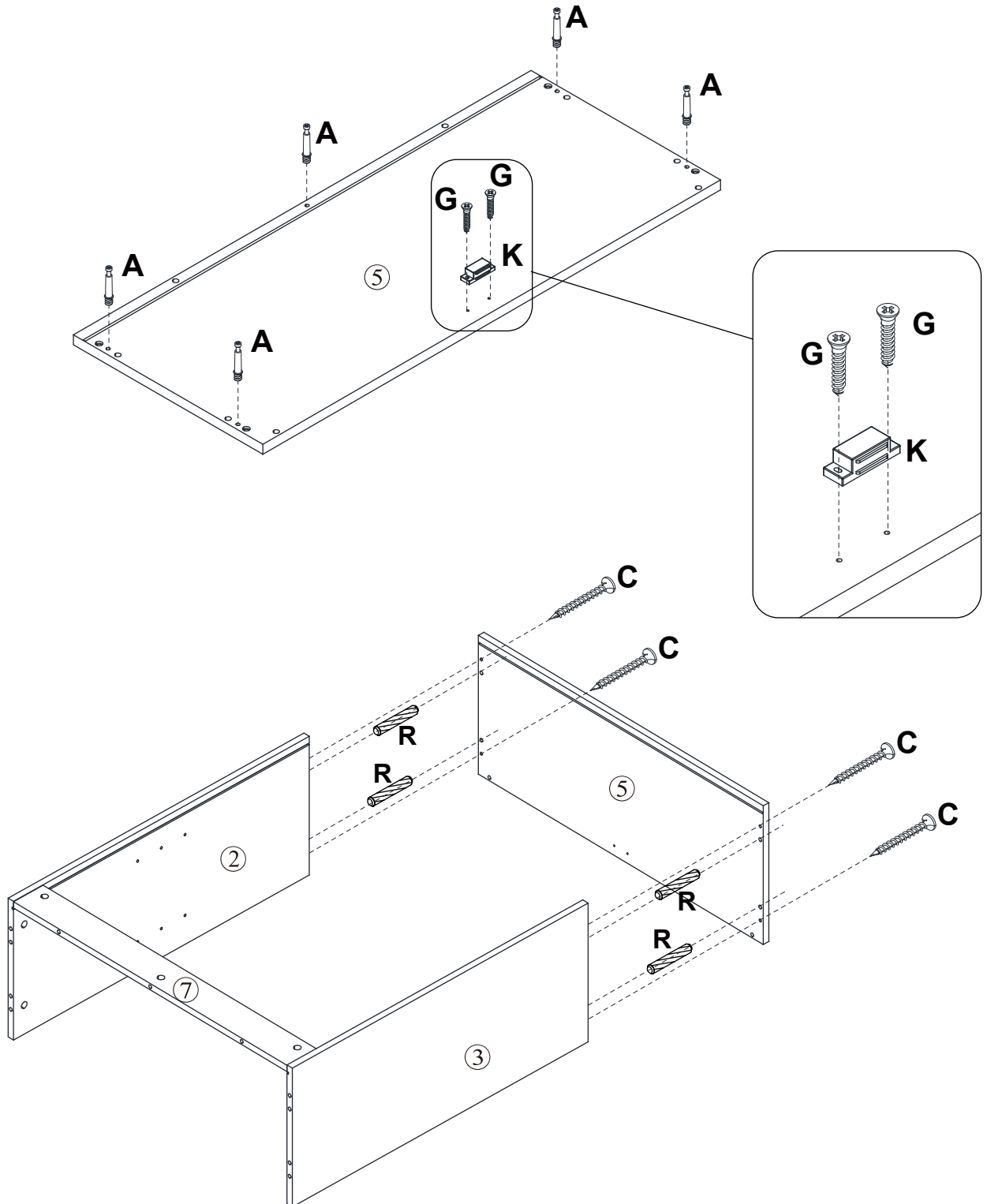
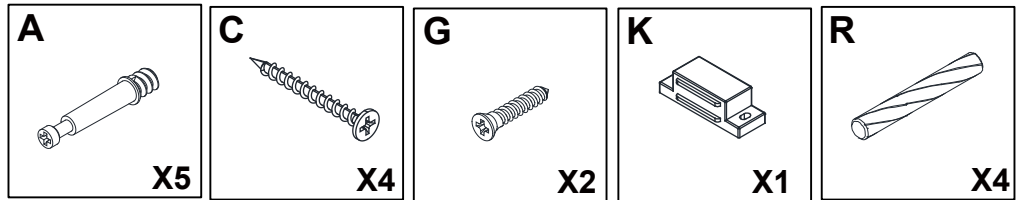
# Step 2



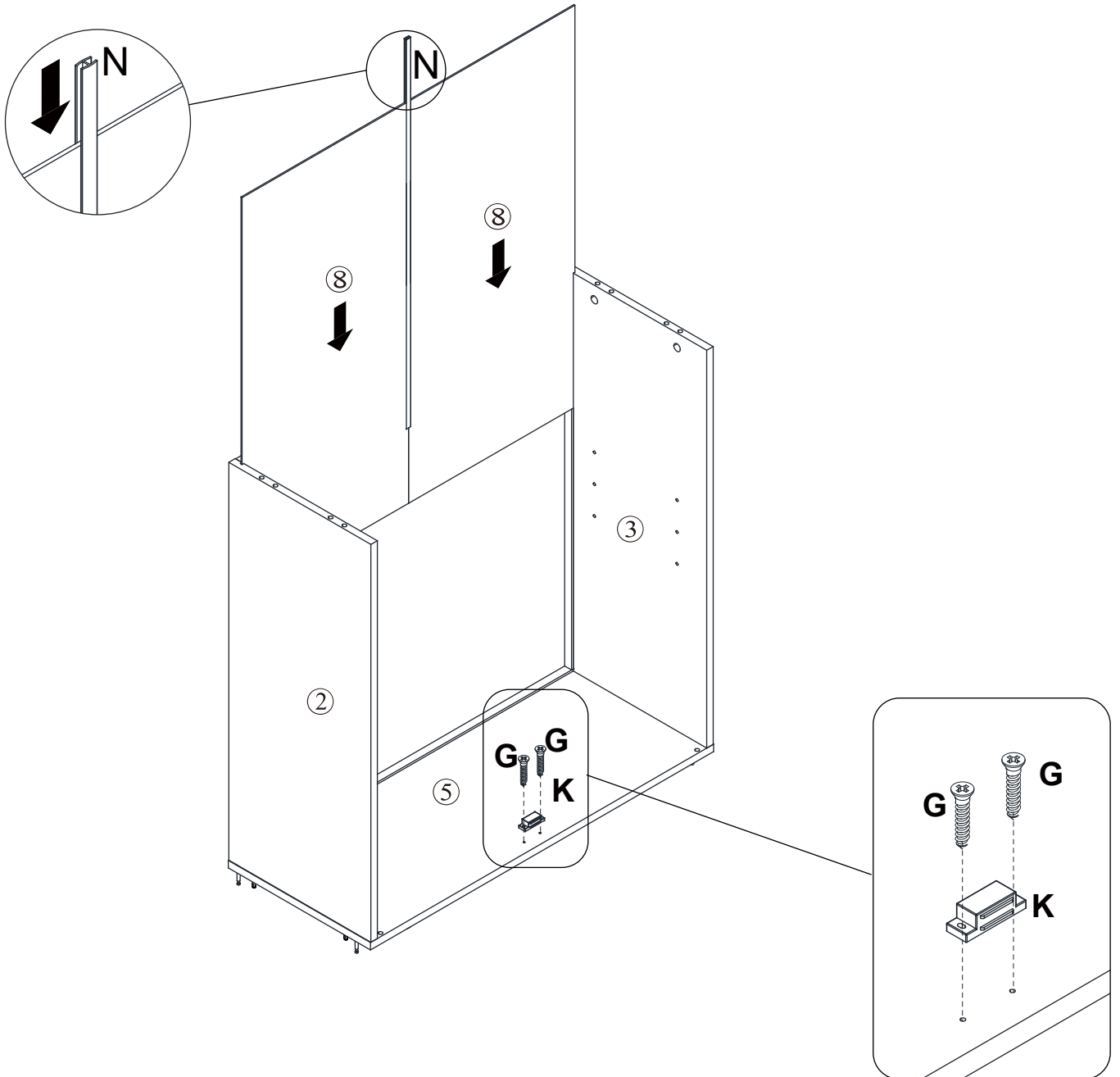
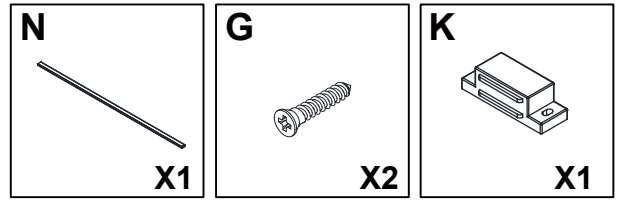
# Step 3



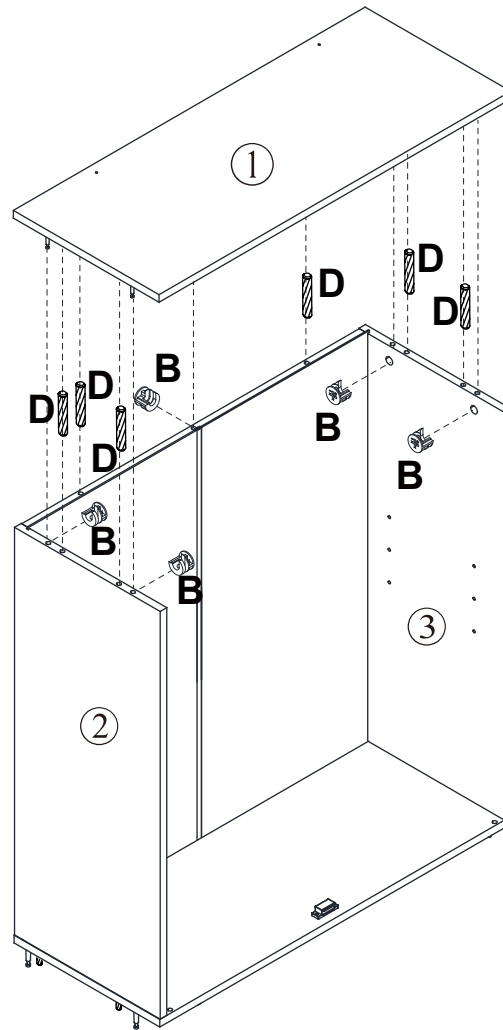
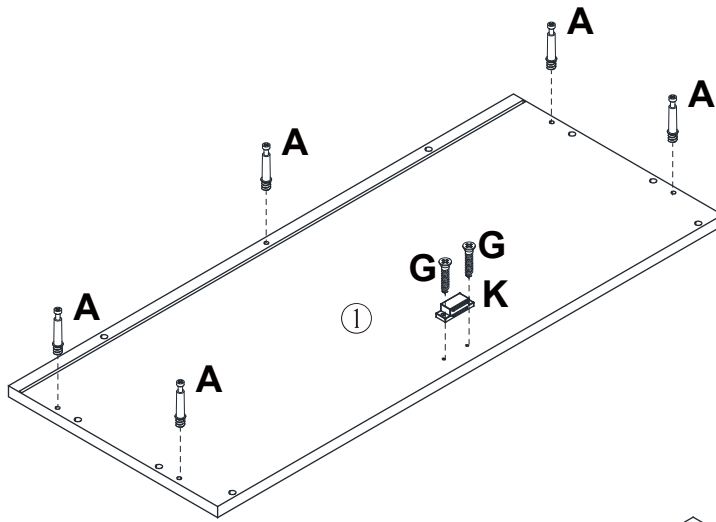
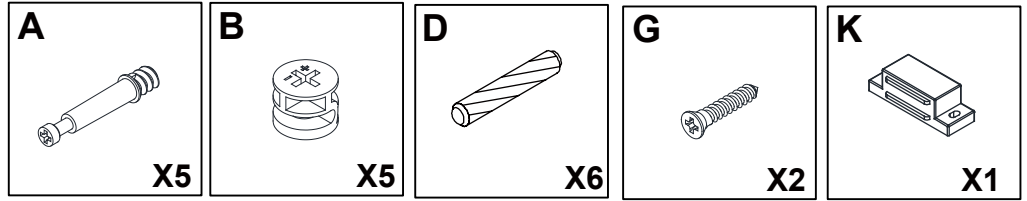
# Step 4



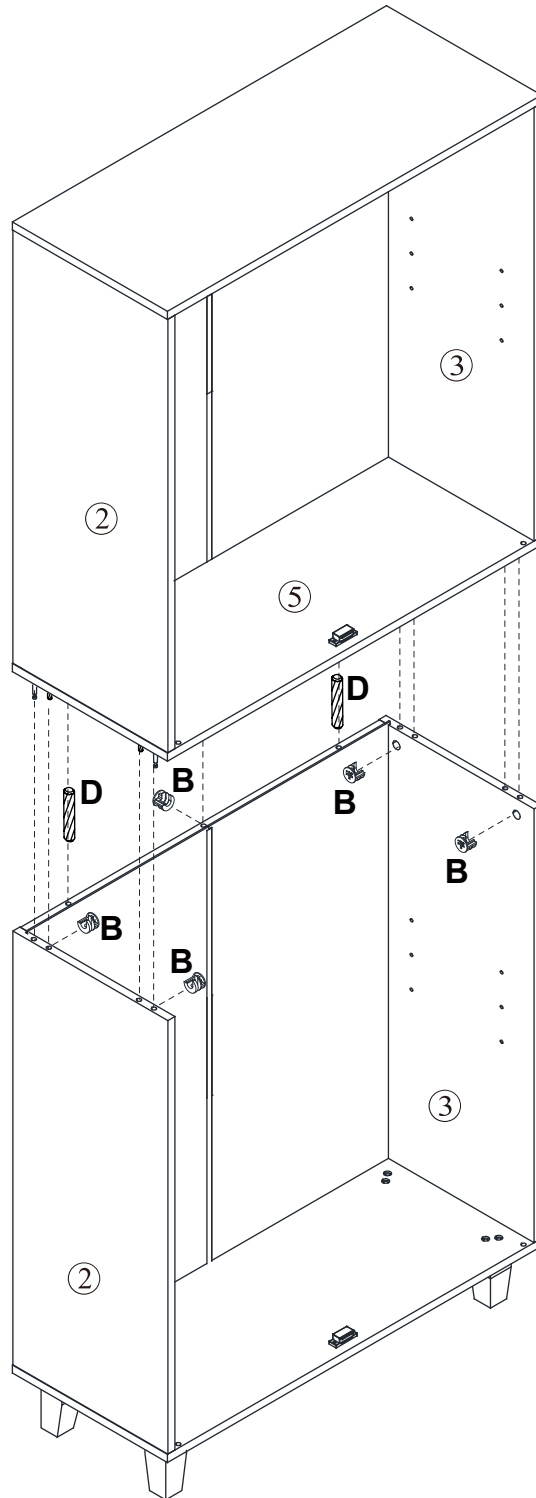
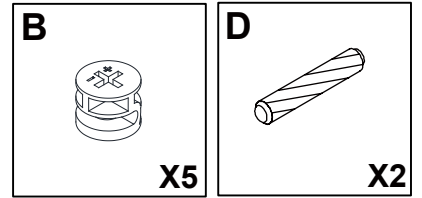
# Step 5



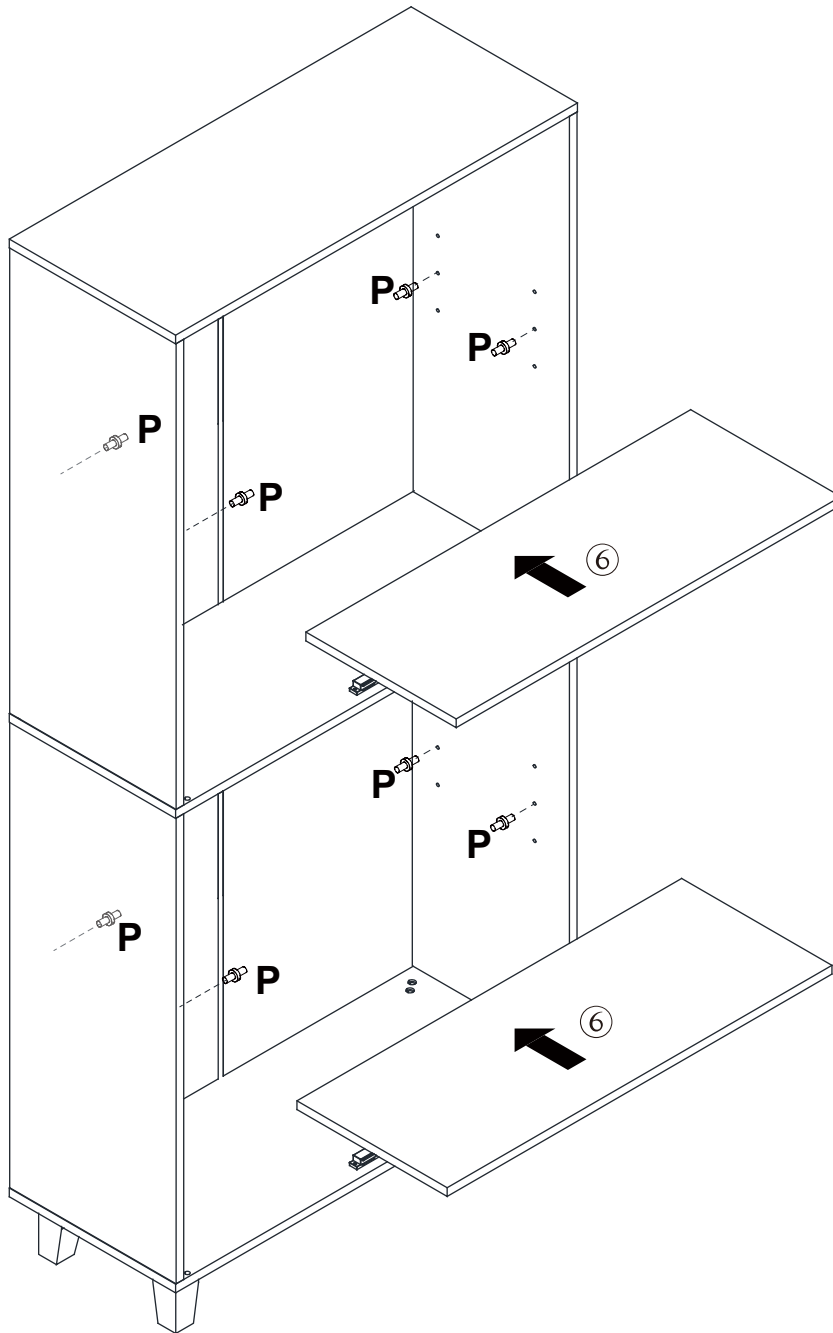
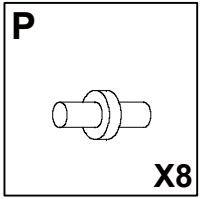
# Step 6



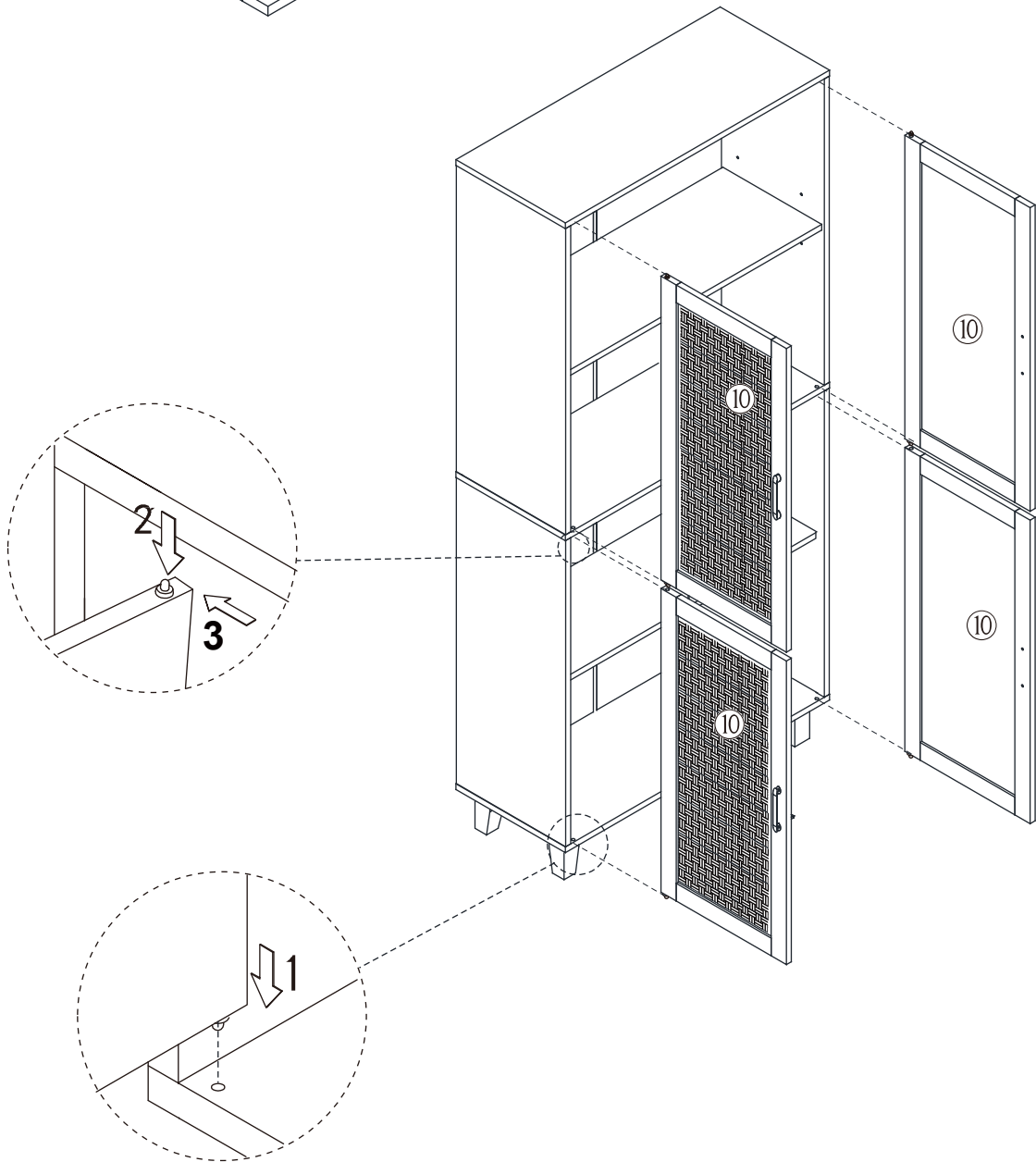
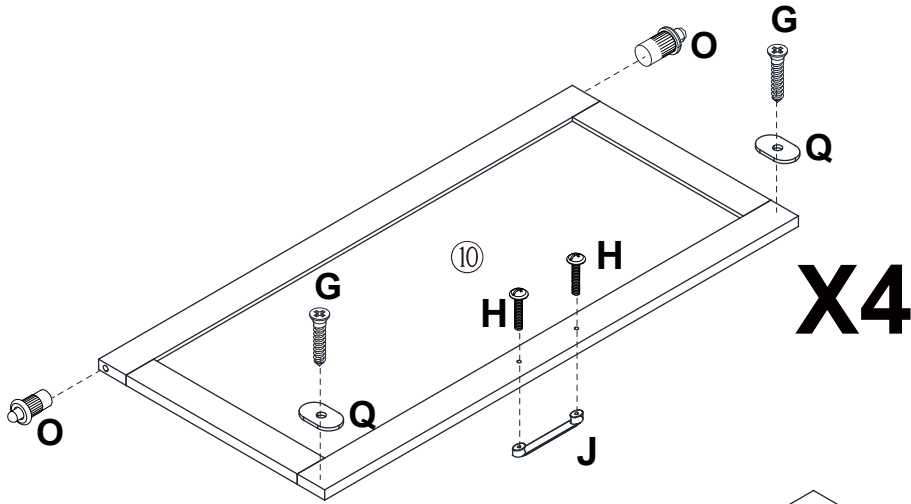
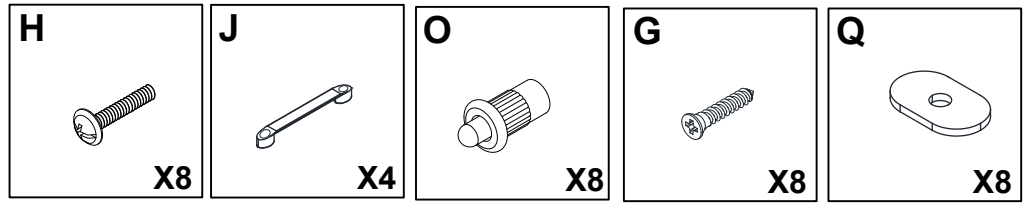
# Step 7



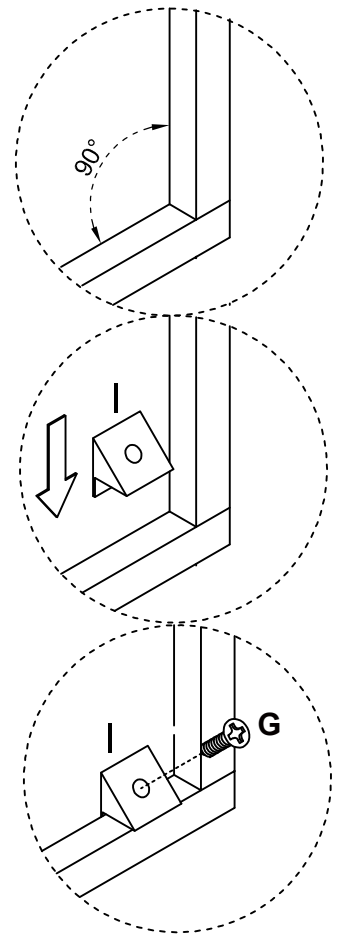
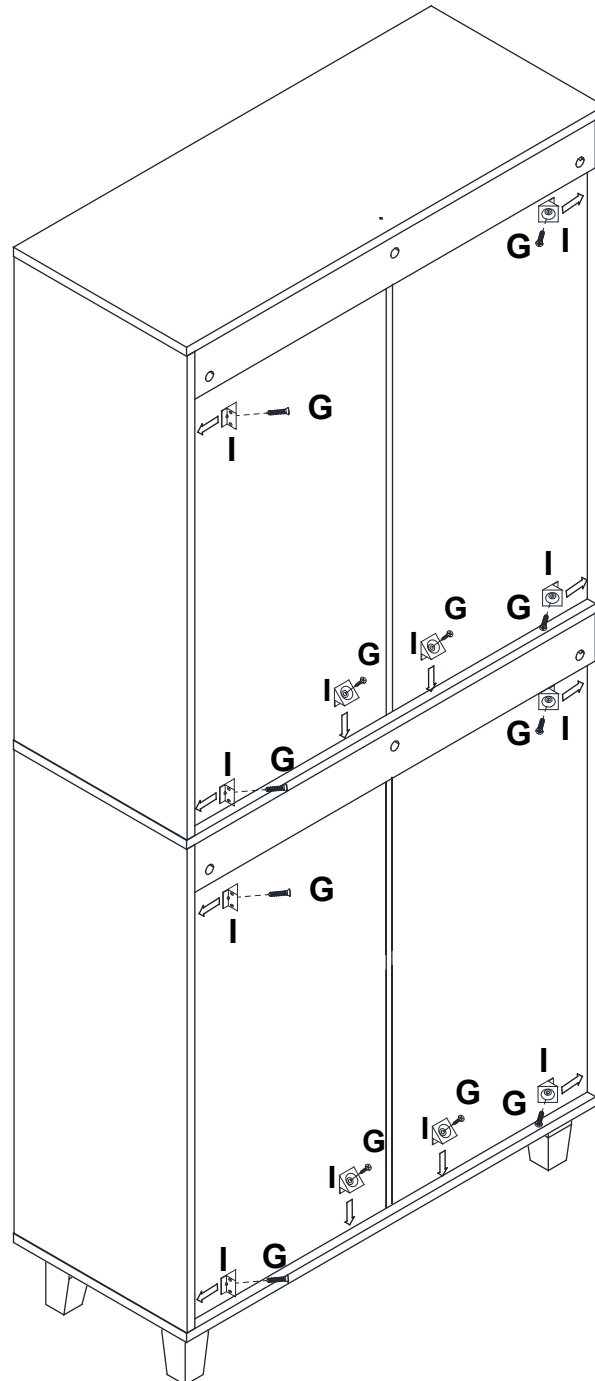
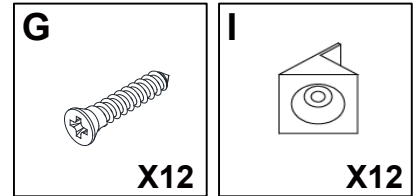
# Step 8



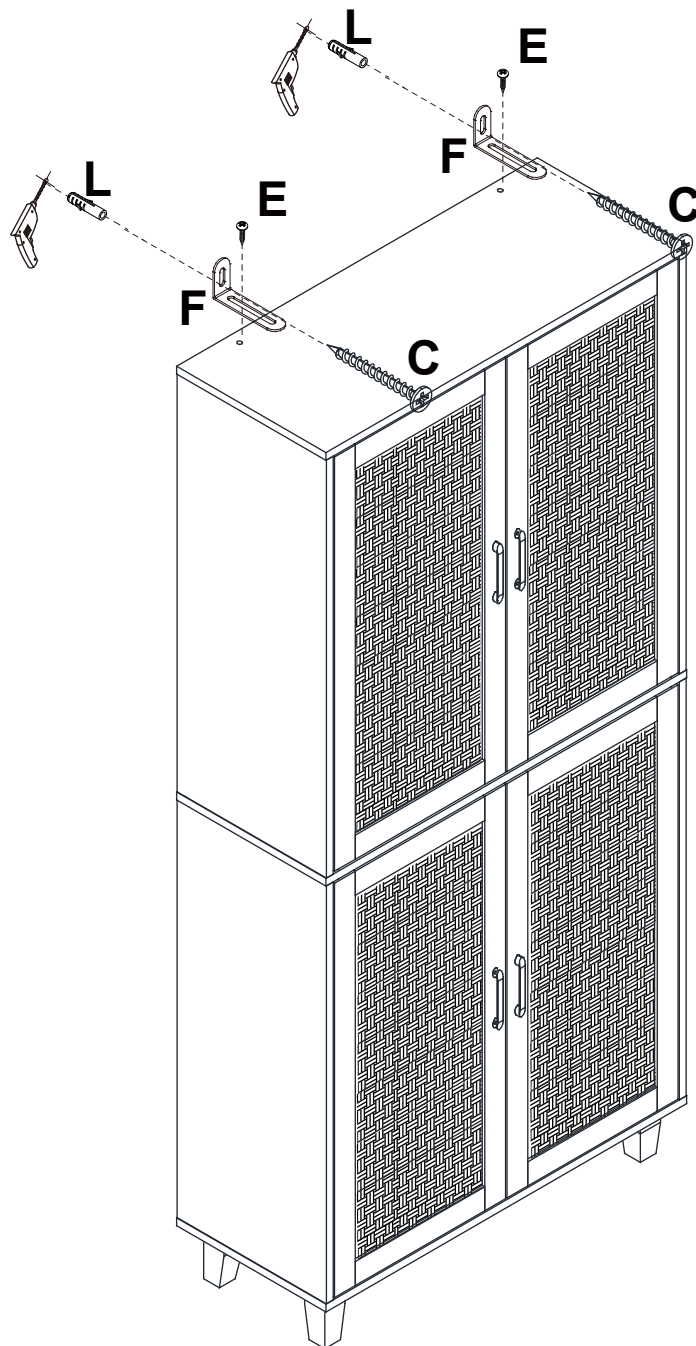
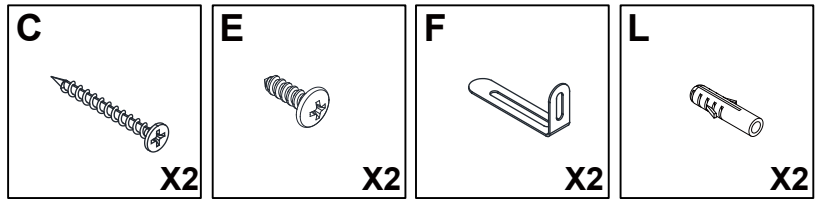
# Step 9



# Step 10



# Step 11



# Proper Use

- DO NOT** use for commercial purposes
- DO NOT** use as a step stool or stand on table
- DO NOT** put hot serving liquid directly on the table top
- DO NOT** leave spilled liquid on the table top
- DO NOT** use table if damaged
- DO NOT** exceed weight limit
- DO NOT** make temporary repairs
- DO NOT** use outdoor