

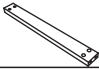






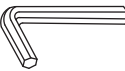
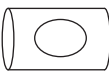



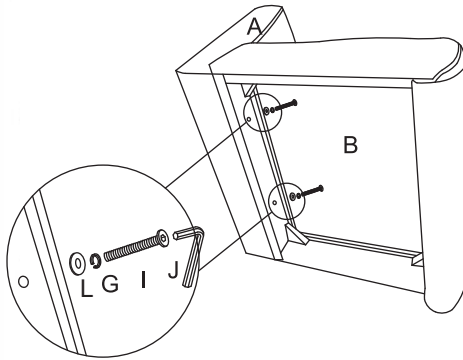
Parts List

Not actual size

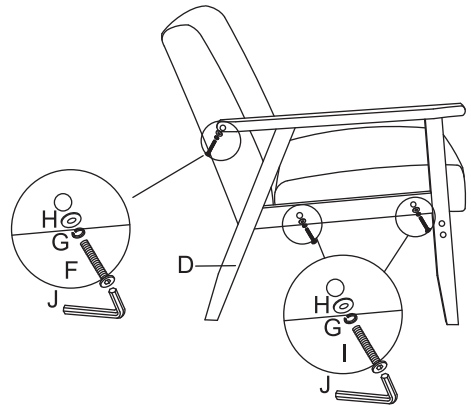
NO.	DESCRIPTION	SKETCH	QTY
A	BACK		1PC
B	SEAT		1PC
C	BASE CONNECTOR		1PC
D	LEGS		1PC
E	LEGS		1PC
NO.	DESCRIPTION	SKETCH	QTY
F	SCREW	 M8 x 60	6pcs
G	SPRING WASHER		12pcs
H	WASHER		10pcs
I	SCREW	 M8 x 50	6pcs
J	SPANNER		1pc
K	NUT		4pcs
L	WASHER		2pcs

PRODUCT ASSEMBLY

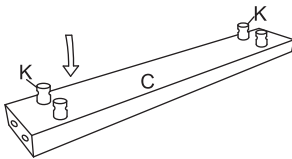
Step 1: Affix Part A & B with I, G & L.



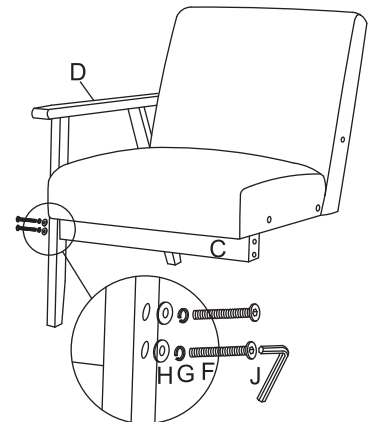
Step 2: Affix Part D as per diagram with G,H ,F& i.



Step 3: Put Part K into part C (as per below diagram).

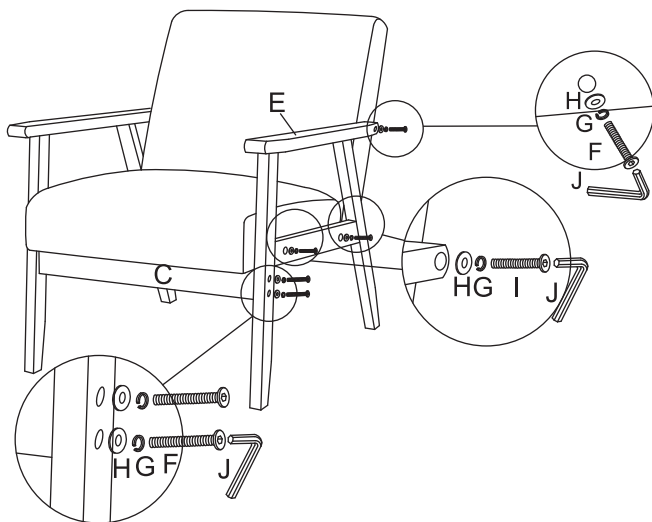


Step 4: Affix Part C into Part D as per diagram.

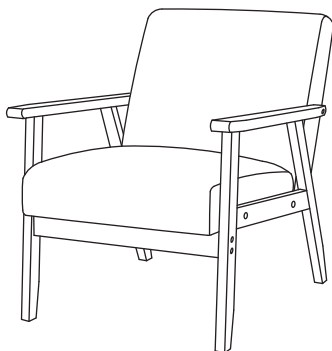


PRODUCT ASSEMBLY

Step 5: Affix Part E as per diagram with F,H,G,I & J.



Step 6: Tighten all screws then assembly is complete.



ATTENTION:

WIPE CLEAN WITH A SOFT DAMP CLOTH. DO NOT USE SCOURERS, ABRASIVES OR CHEMICAL SOLVENTS. CHECK AND TIGHTEN ALL PARTS REGULARLY. KEEP AWAY FROM WATER AND DIRECT SUNLIGHT. STORE IN A DRY PLACE. FOR INDOOR AND DOMESTIC USE ONLY.

WARNING:

DO NOT STAND OR SIT ON THIS CHAIR. DO NOT USE THIS CHAIR AS A STEP LADDER. SUITABLE FOR ONE PERSON USE ONLY. DO NOT USE UNTIL ALL SCREWS ARE FIRMLY SECURED. USE ONLY ON A FLAT SURFACE. FAILURE TO FOLLOW THESE WARNINGS COULD RESULT IN SERIOUS INJURY. MAXIMUM SAFE LOAD WEIGHT: 220LBS.

Care and Maintenance

Use a soft, clean cloth that will not scratch the surface when dusting.

Use of furniture polish is not necessary.

Should you choose to use polish, test first in an inconspicuous area.

Using solvents of any kind on your furniture may damage the finish.

Never use water to clean your furniture as it may cause damage to the finish.

Liquid spills should be removed immediately. Using a soft clean cloth, blot the spill gently. Avoid rubbing.

Check bolts/screws periodically and tighten them if necessary.

Further advice about wood furniture care

It is best to keep your furniture in a climate-controlled environment.

Extreme temperature and humidity changes can cause fading, warping, shrinking and splitting of wood.

It is advised to keep furniture away from direct sunlight as sun may damage the finish.

Proper care and cleaning at home will extend the life of your purchase.

Following these important and helpful tips will enhance your furniture as it ages.
