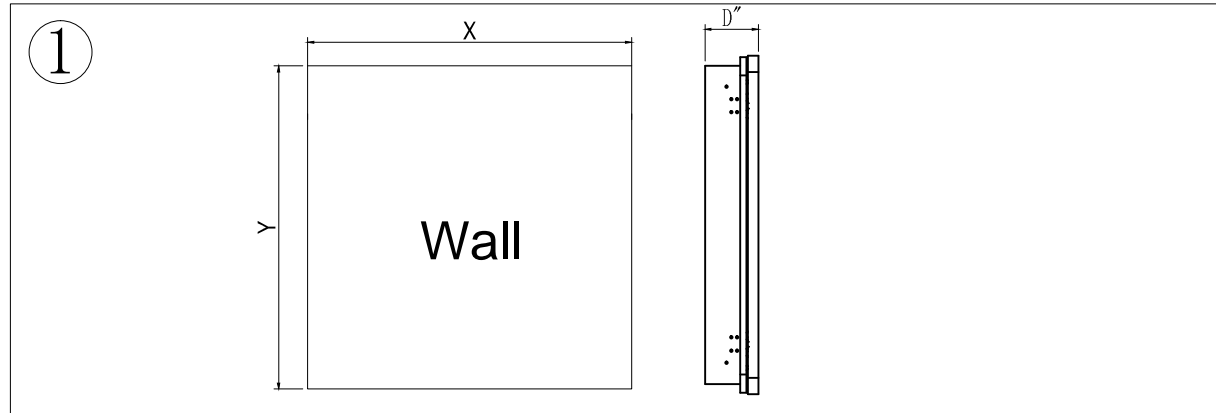
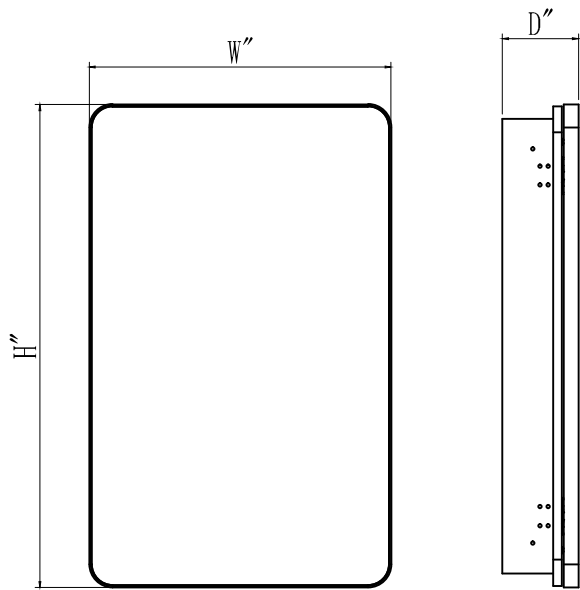
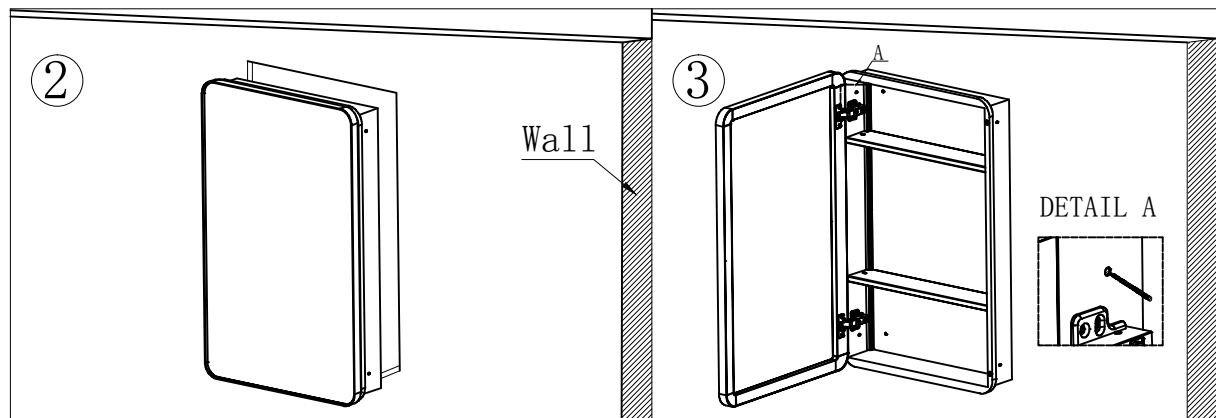
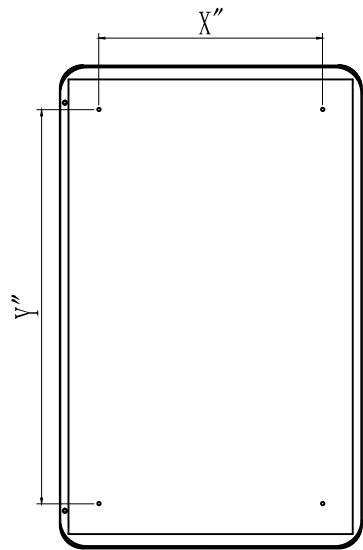


INSTALLATION:

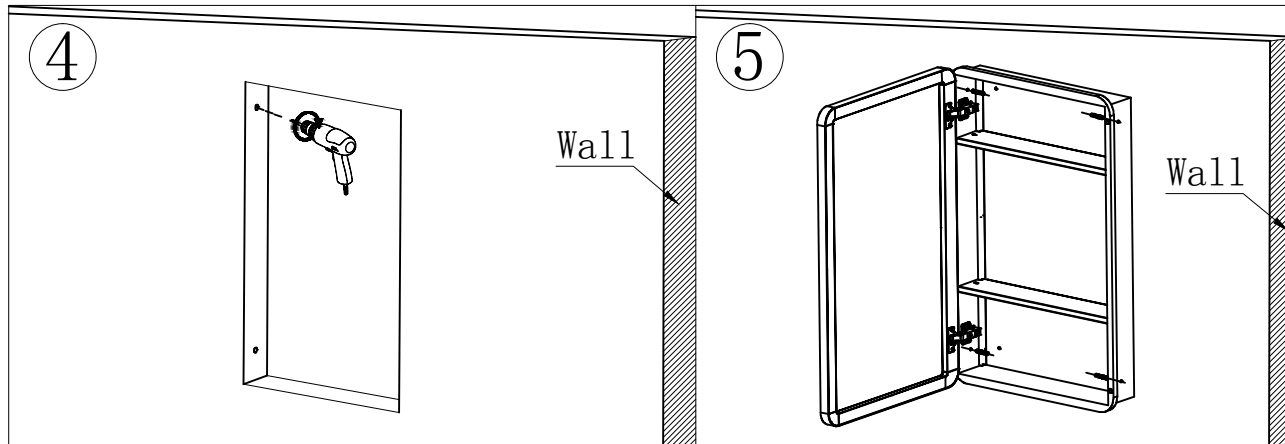
1) Please refer to the below data of the cabinet and make a larger size(X/Y) of the dimension in wall for the recessed cabinet body to go into the wall.(See Pic.1)



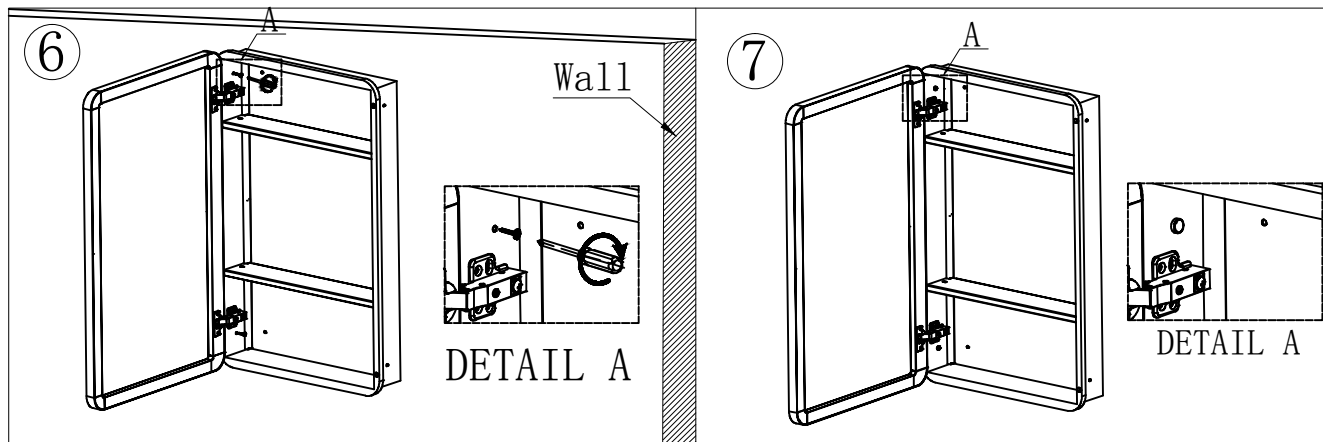
2) Place the recessed medicine cabinet in hole of the wall and mark the suitable position of the screw holes.
(See Pic. 2 & 3)



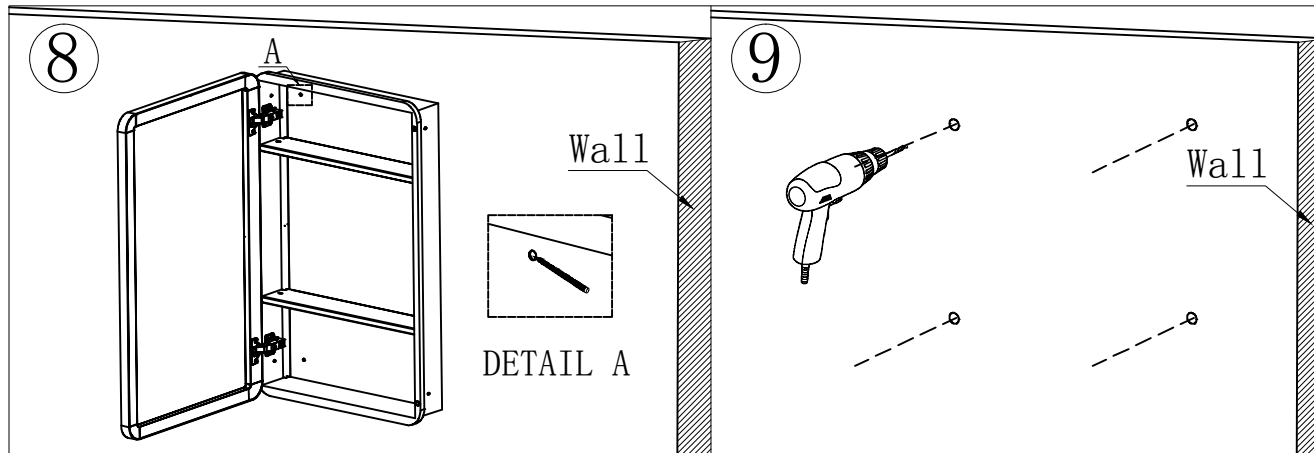
3) Drill the holes on the marked positions and insert plastic anchors supplied.(See Pic. 4 & 5)



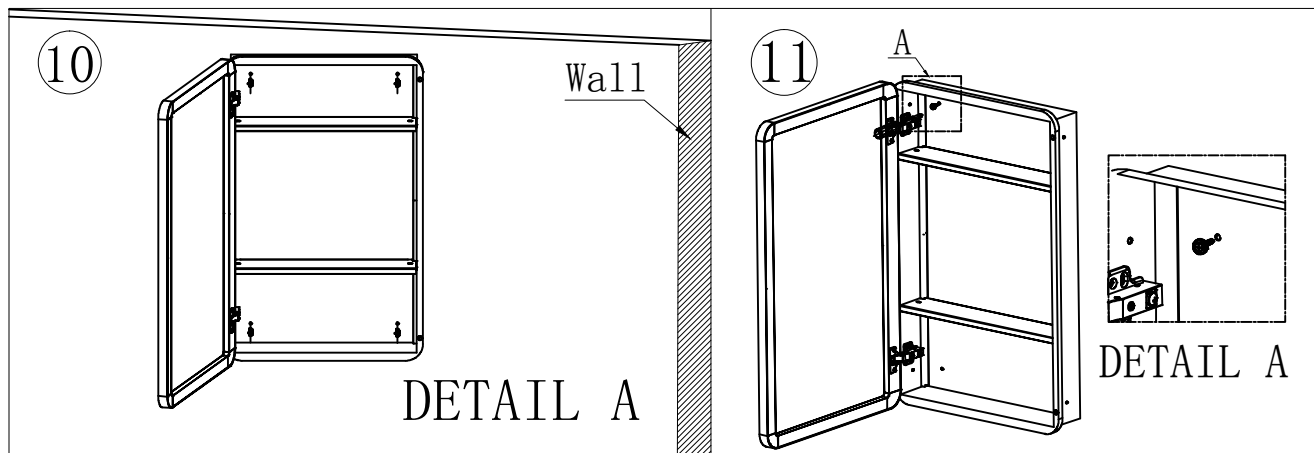
4) Place the medicine cabinet in hole of the wall and screw the mounting screws with the screw decorative cap supplied (See Pic. 6 & 7)



5) Drill the holes on the marked positions and insert plastic anchors supplied.(See Pic. 8 & 9)



6) Place the medicine cabinet in hole of the wall and screw the mounting screws with the screw decorative cap supplied (See Pic. 10 & 11)



The drawings for the adjustment of the soft close hinges

