

Thank you for purchasing your new Item from us. We are sure you are going to be pleased with it.

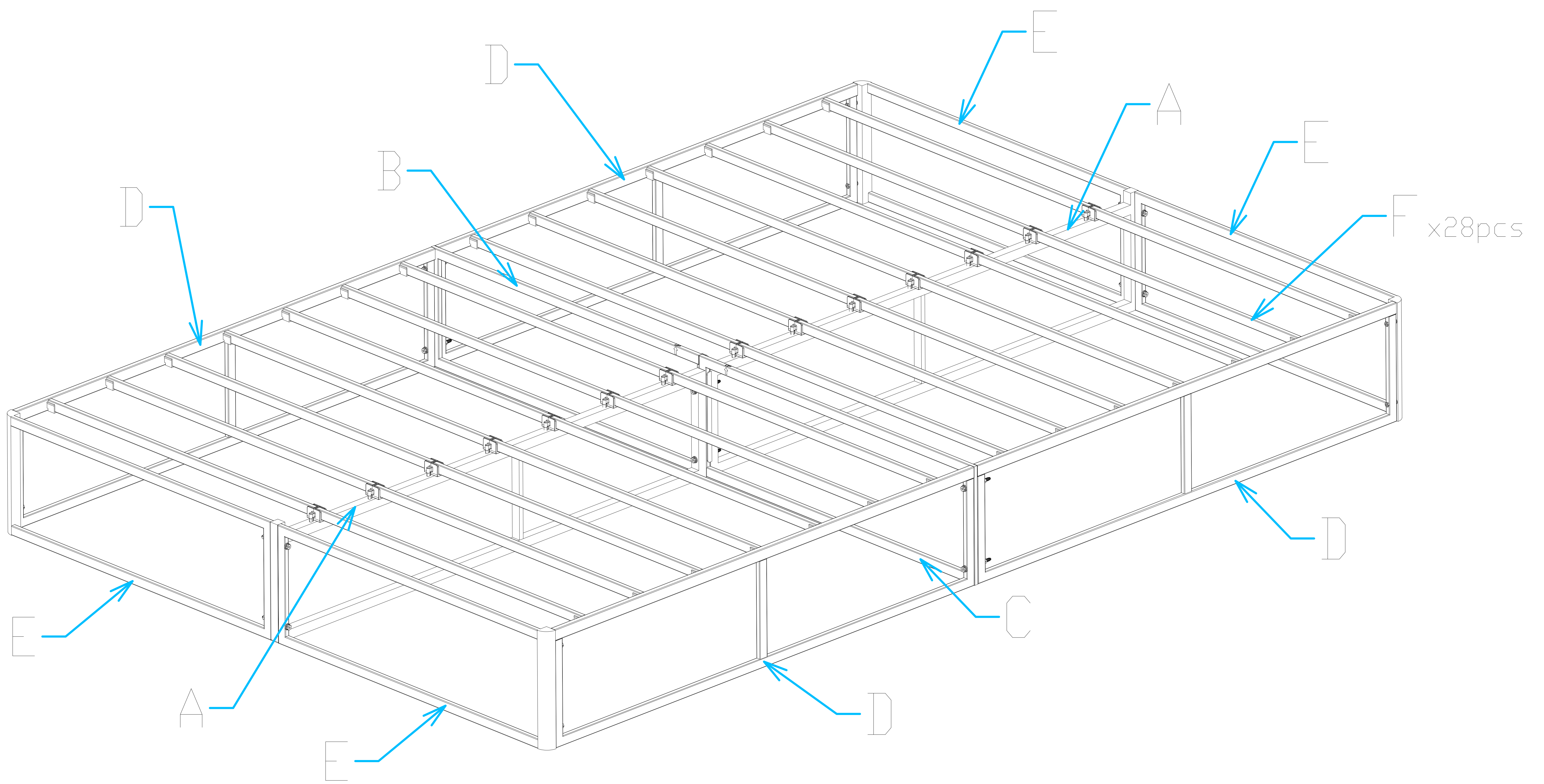


DO NOT RETURN!

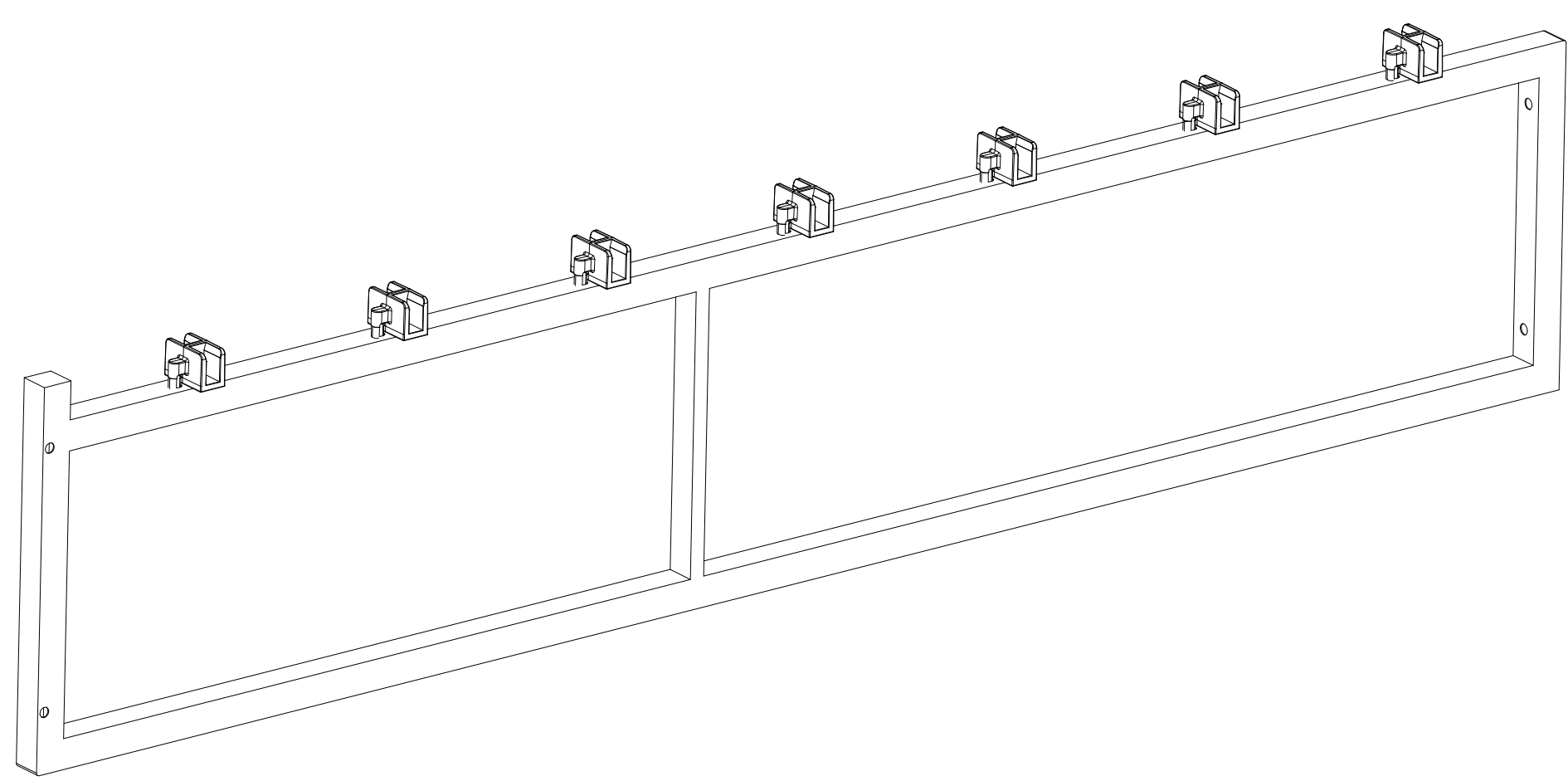
If parts are missing or damaged, we will gladly ship your replacements parts free of charge.

IMPORTANT SAFETY NOTICE: READ CAREFULLY BEFORE BEGINNING ASSEMBLY!

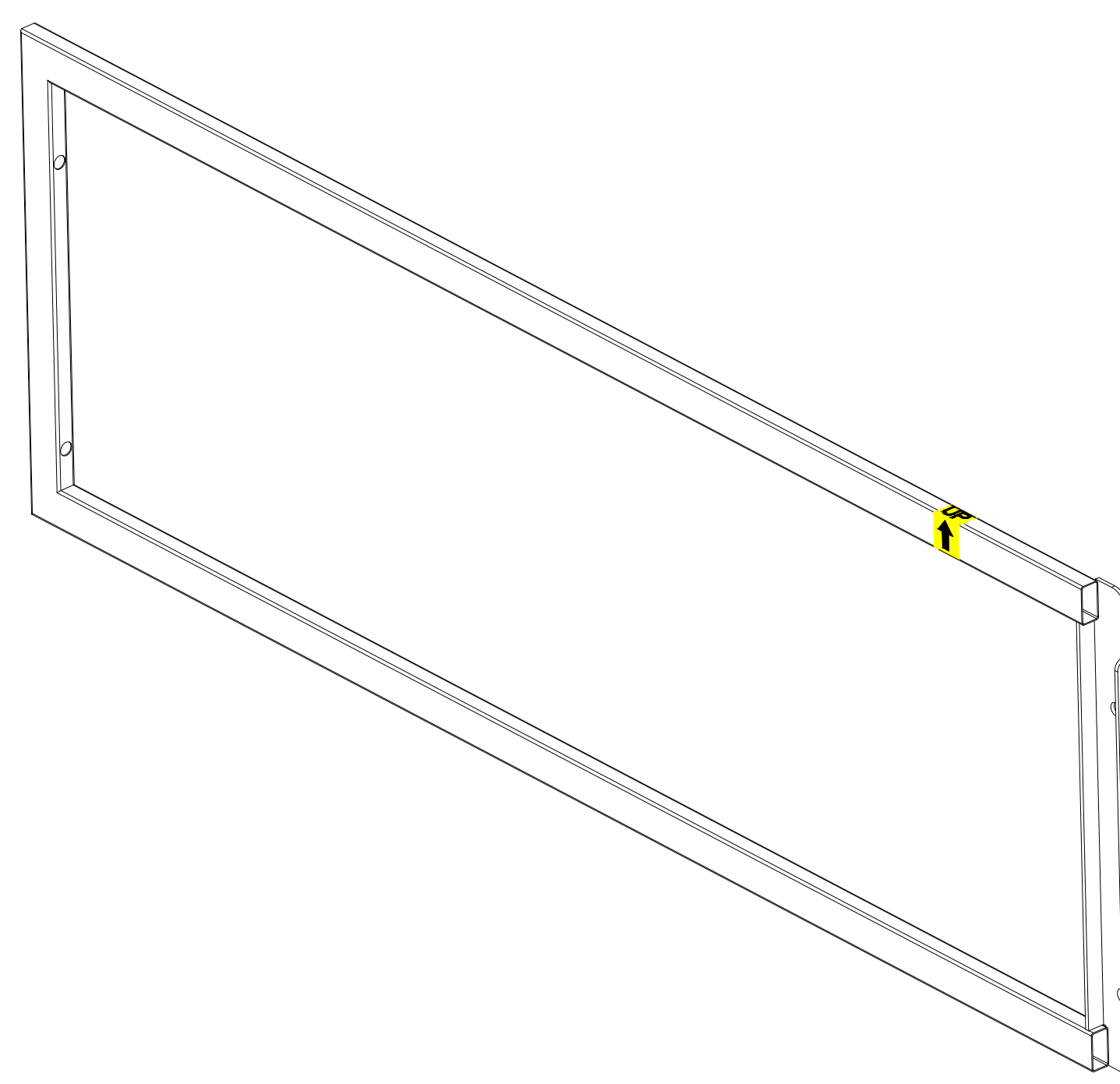
- * Always use proper tools.
- * Follow the assembly steps in order. Do not skip any steps to avoid any unwanted obstacles.
- * Be sure to check all packing materials carefully for small parts may have come loose inside the carton during shipment. If parts are missing, contact us via Buyer-Seller Messaging Service to obtain any missing parts. **DO NOT USE SUBSTITUTE PARTS.**
- * Work in a spacious area, preferably on carpet near where the item will be used.
- * Although most items are easy to assemble, we recommend an extra pair of hands to make it easier on you.
- * Check your item list to make sure all your parts and hardware are included before you begin the assembly process.
- * Periodically check to ensure that all connectors (bolts, screws, etc.) are tight.
- * Keep the instructions for future reference.



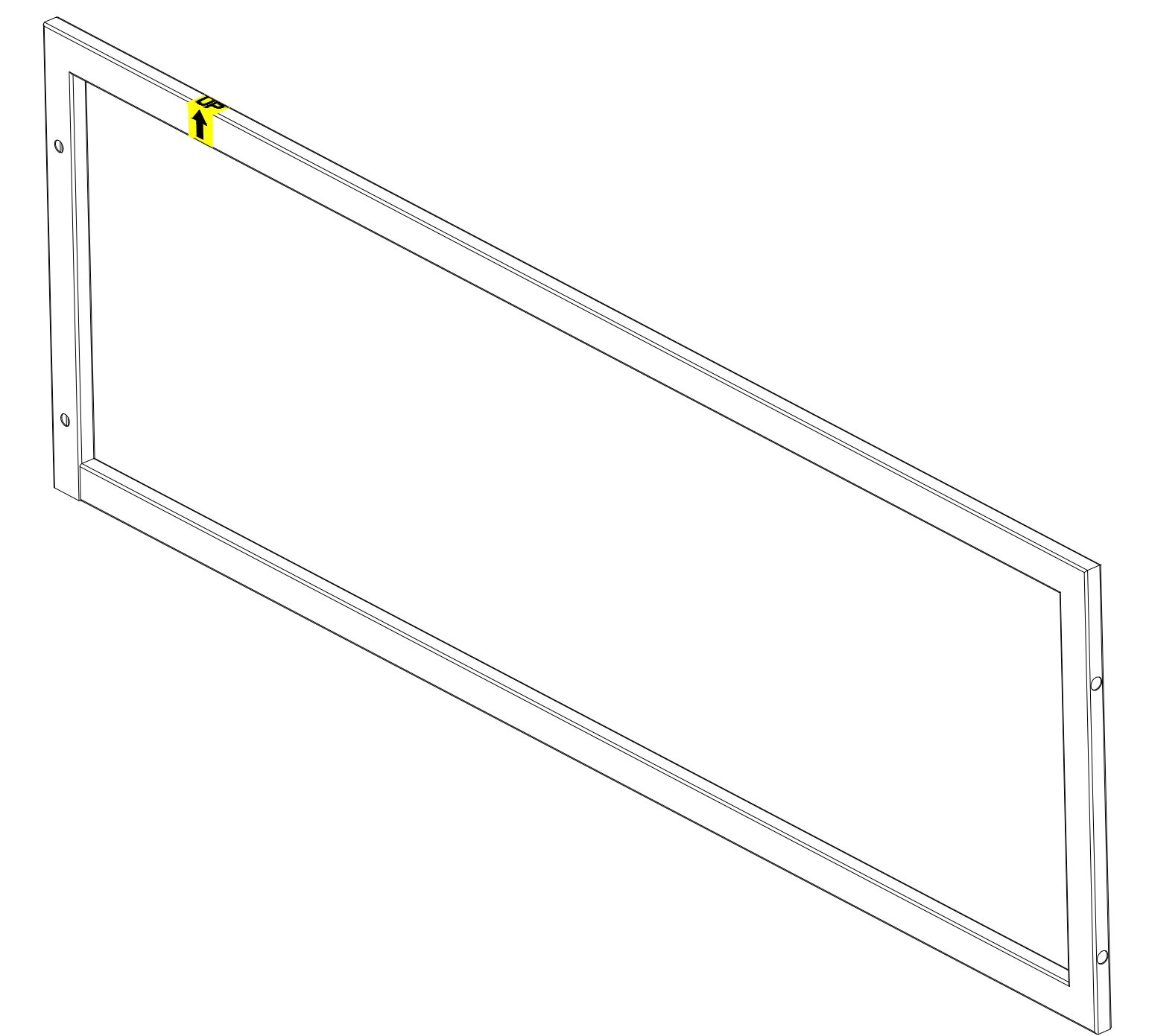
Ax2PCS



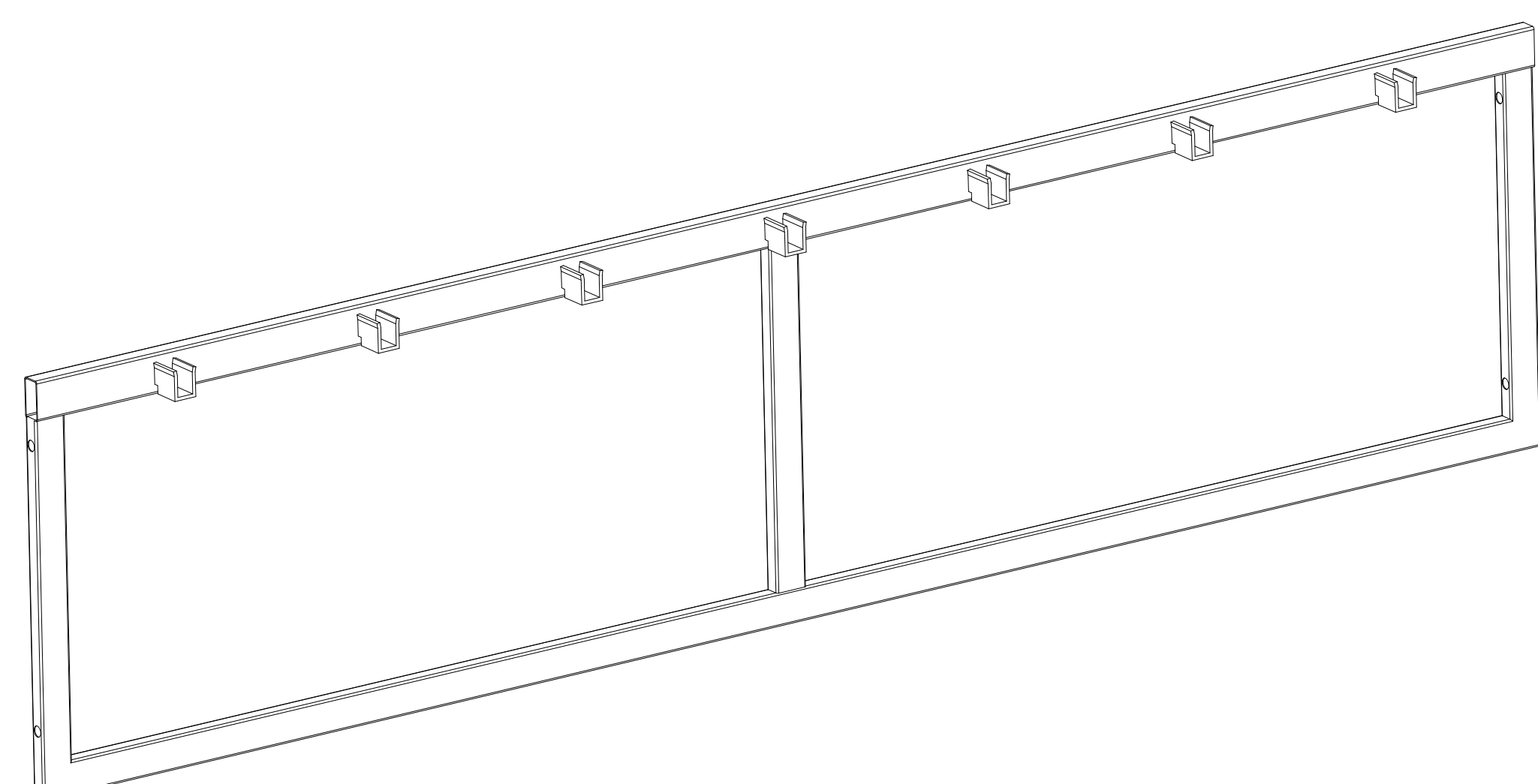
Bx1PC



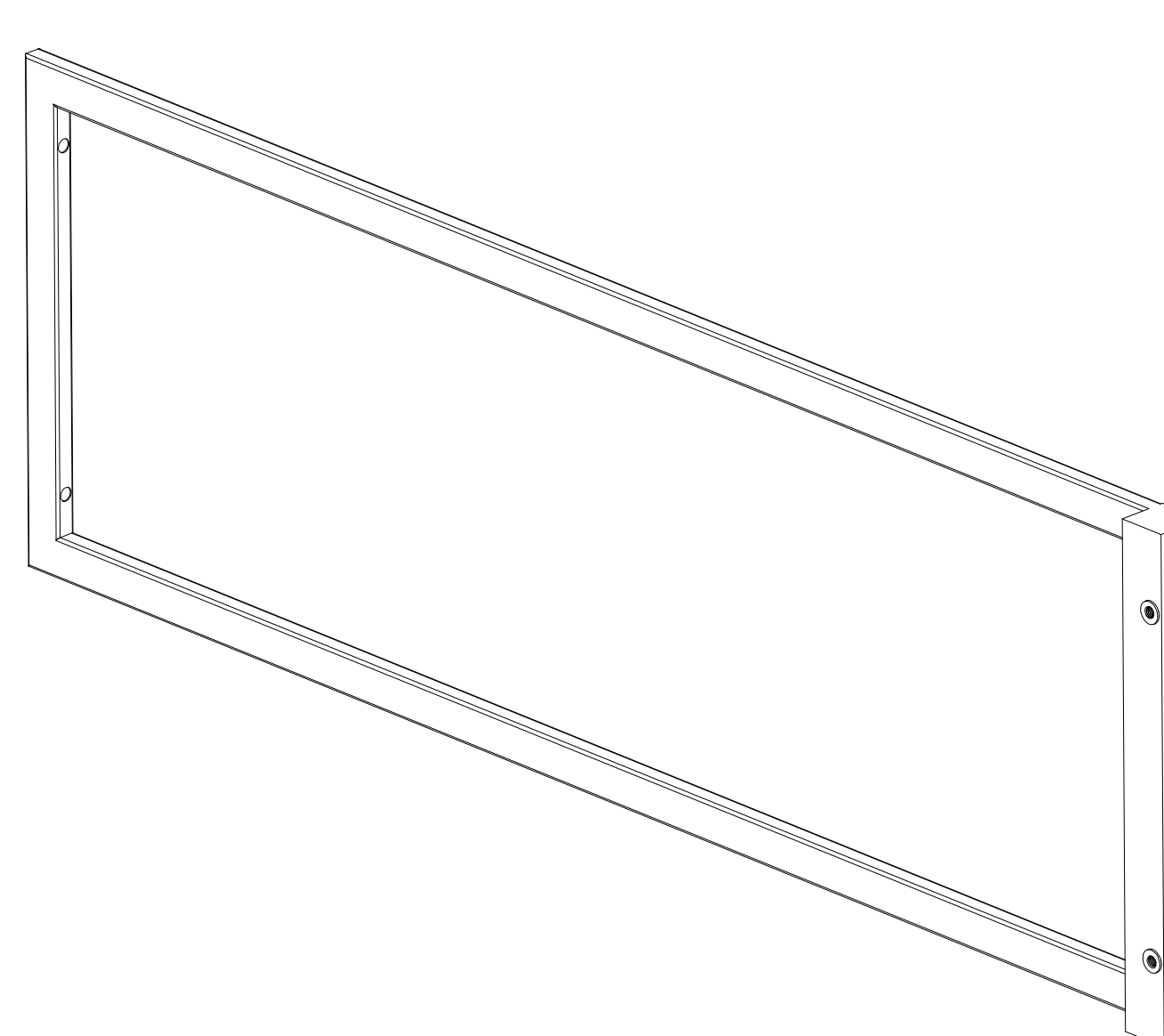
Cx1PC



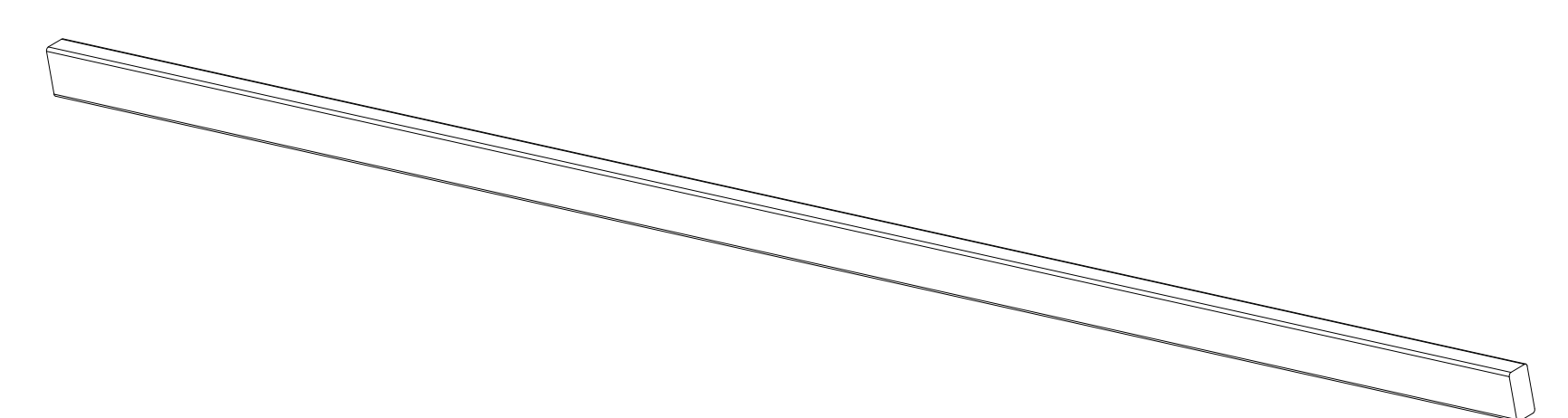
Dx4PCS



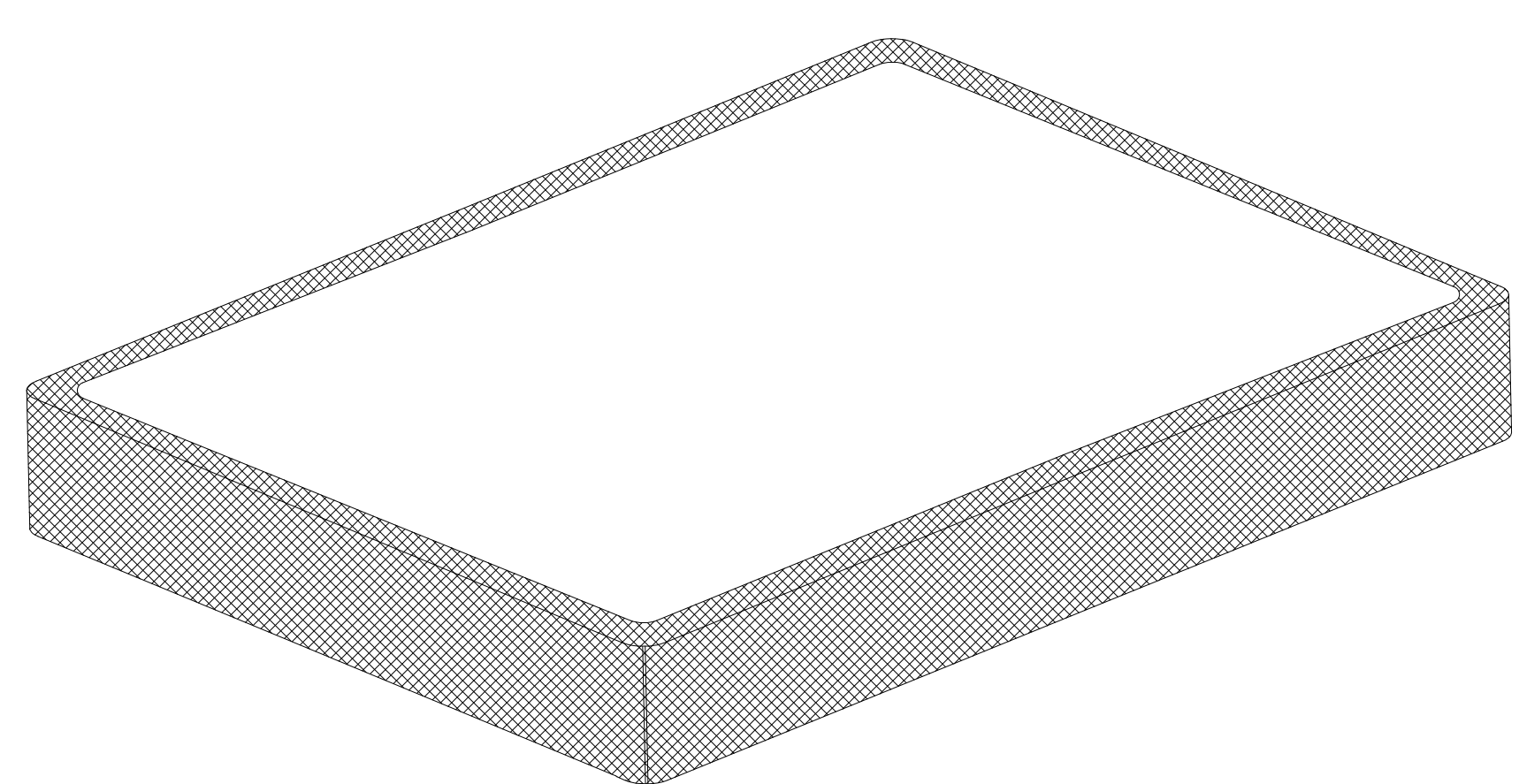
Ex4PCS



Fx28PCS

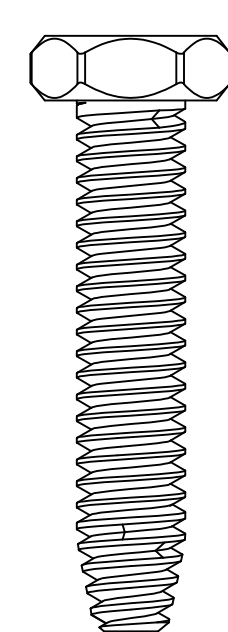


Gx1PC

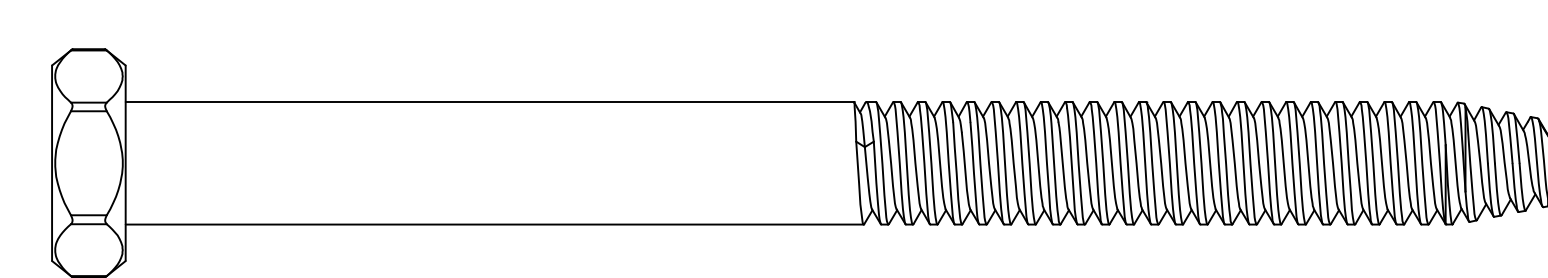


Fabric Cover

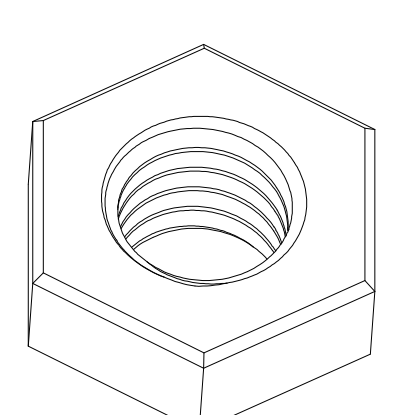
Sx8PCS



Lx10PCS



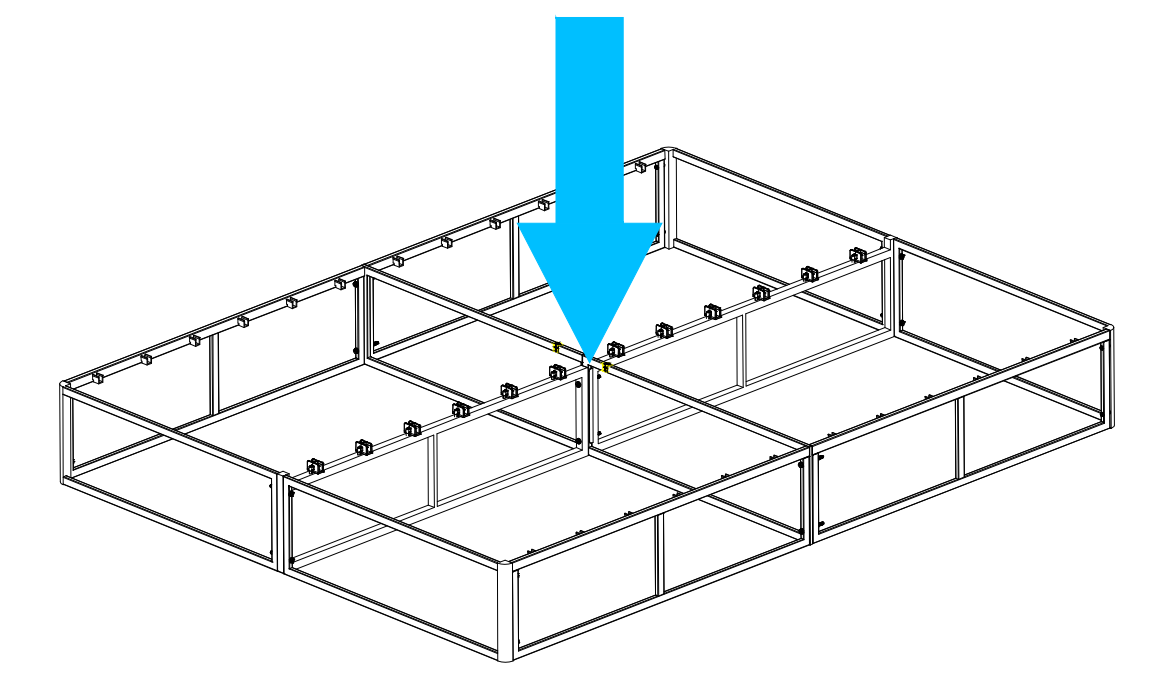
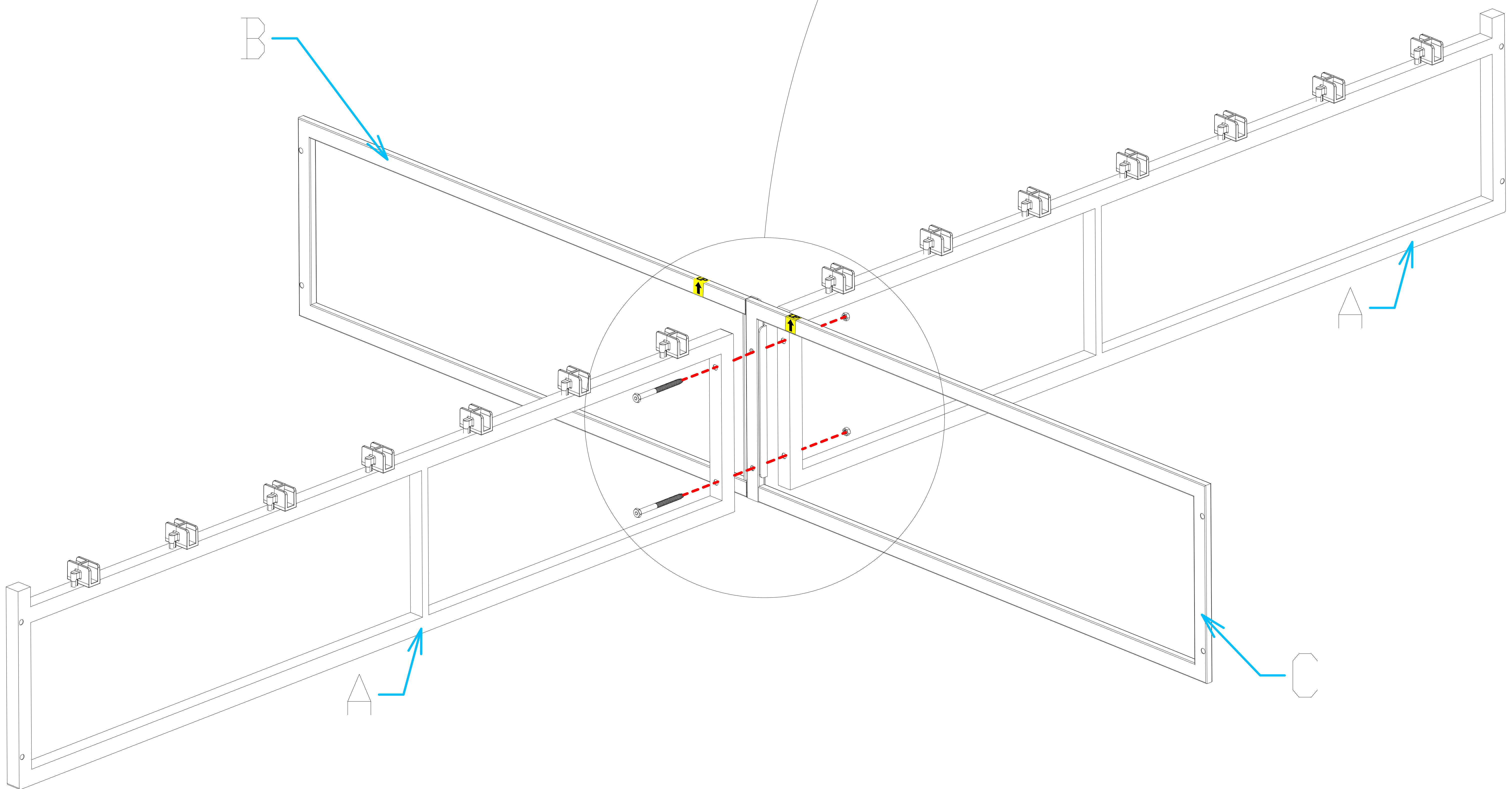
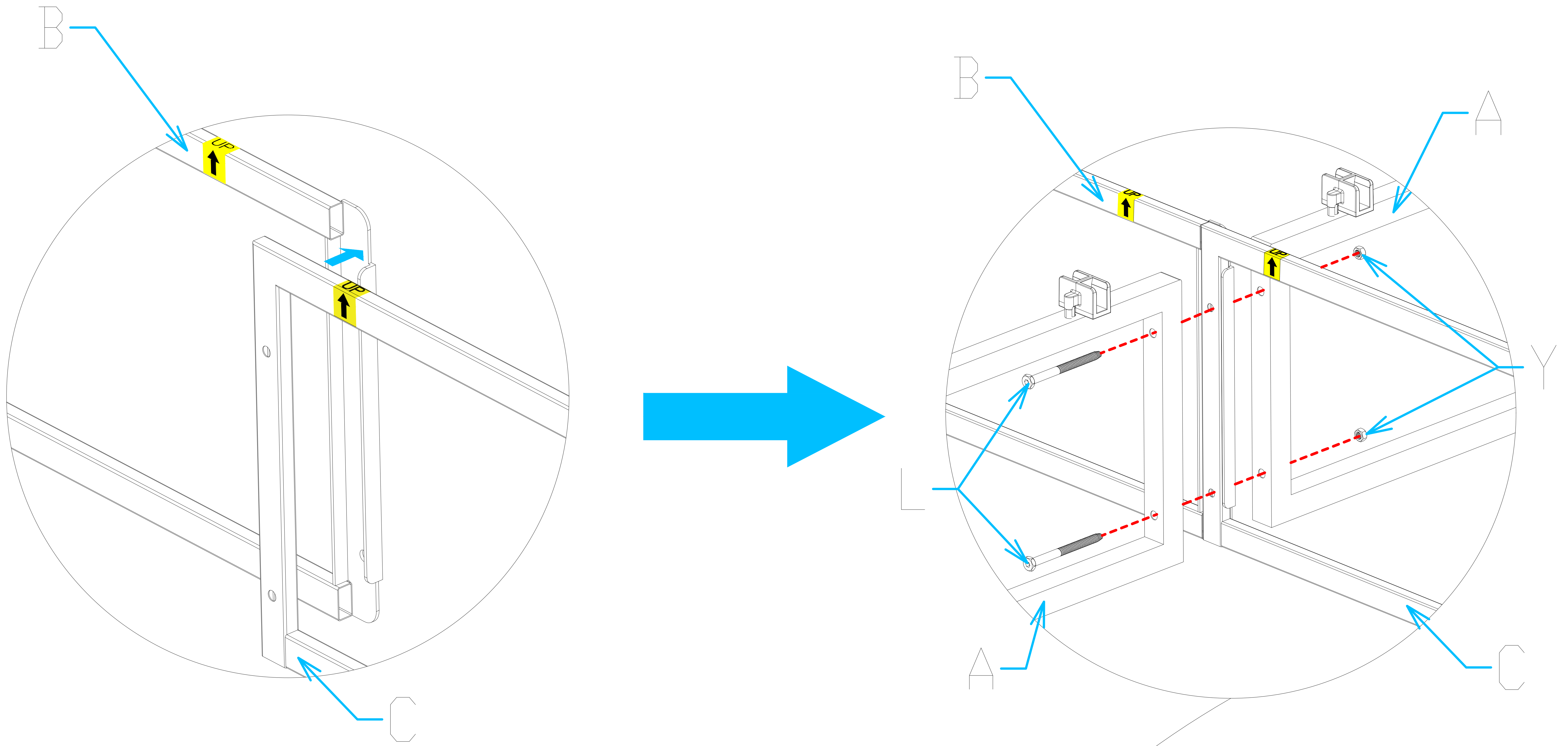
Yx10PCS



- ⚠ NOTE: UNIT SHOULD BE ASSEMBLED BY TWO OR MORE PEOPLE. DO NOT TIGHTEN ANY BOLTS UNTIL ALL BOLTS HAVE BEEN STARTED!
- ⚠ NOTA: ESTA UNIDAD DEBE SER ARMADA POR 2 O MAS PERSONAS. NO APRIETE NINGUN PERNO HASTA QUE TODOS ESTEN EN SU LUGAR!
- ⚠ REMARQUE: LE MEUBLE DOIT ETRE ASSEMBLE PAR DEUX PERSONNES OU PLUS. NE BLOQUER AUCUNE VIS TANT QUE VOUS N'AVEZ PAS COMMENCE A TOUTES LES DEMARRER!

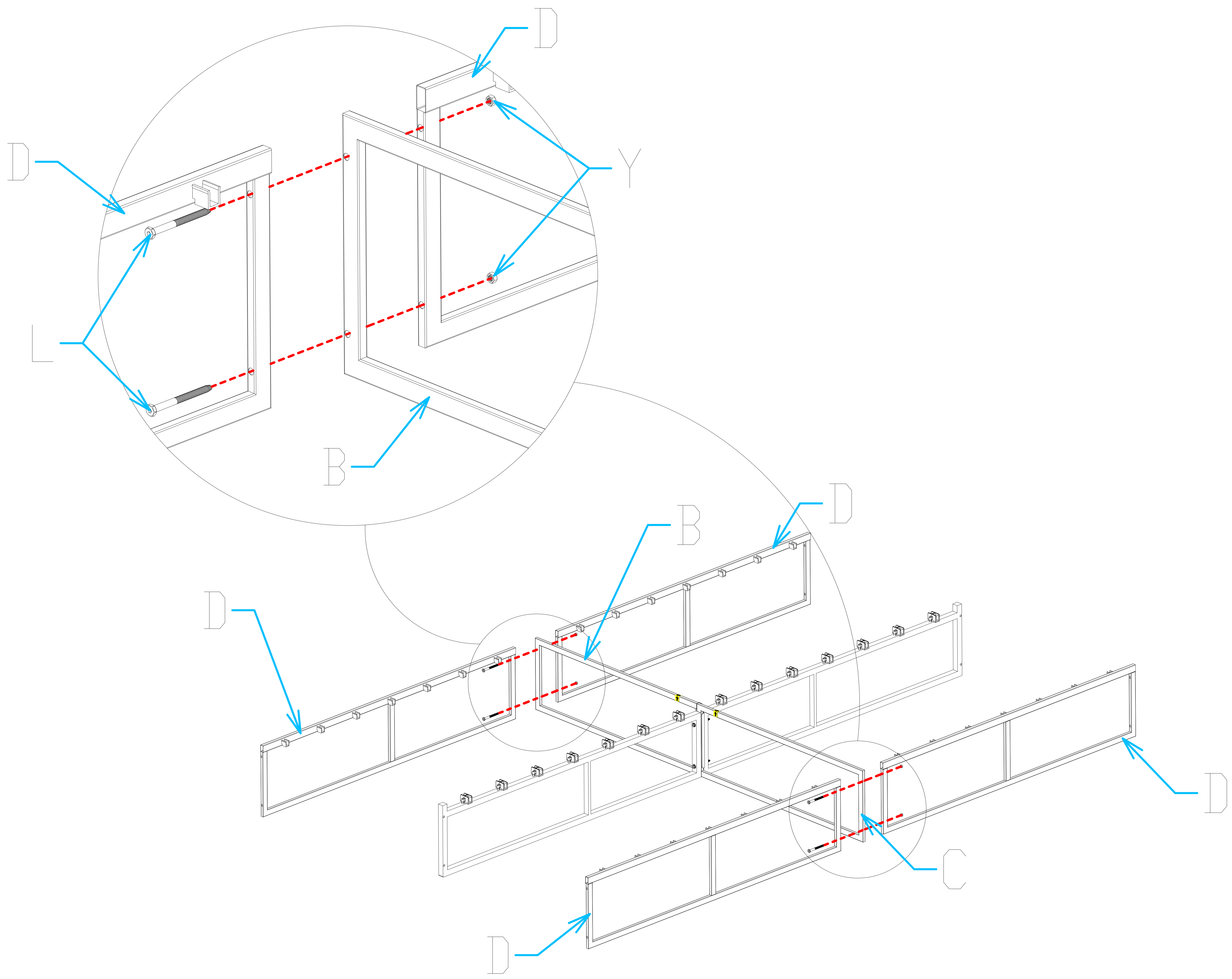
DON'T TIGHTEN BOLTS UNTIL EVERYTHING IS IN PLACE!

1

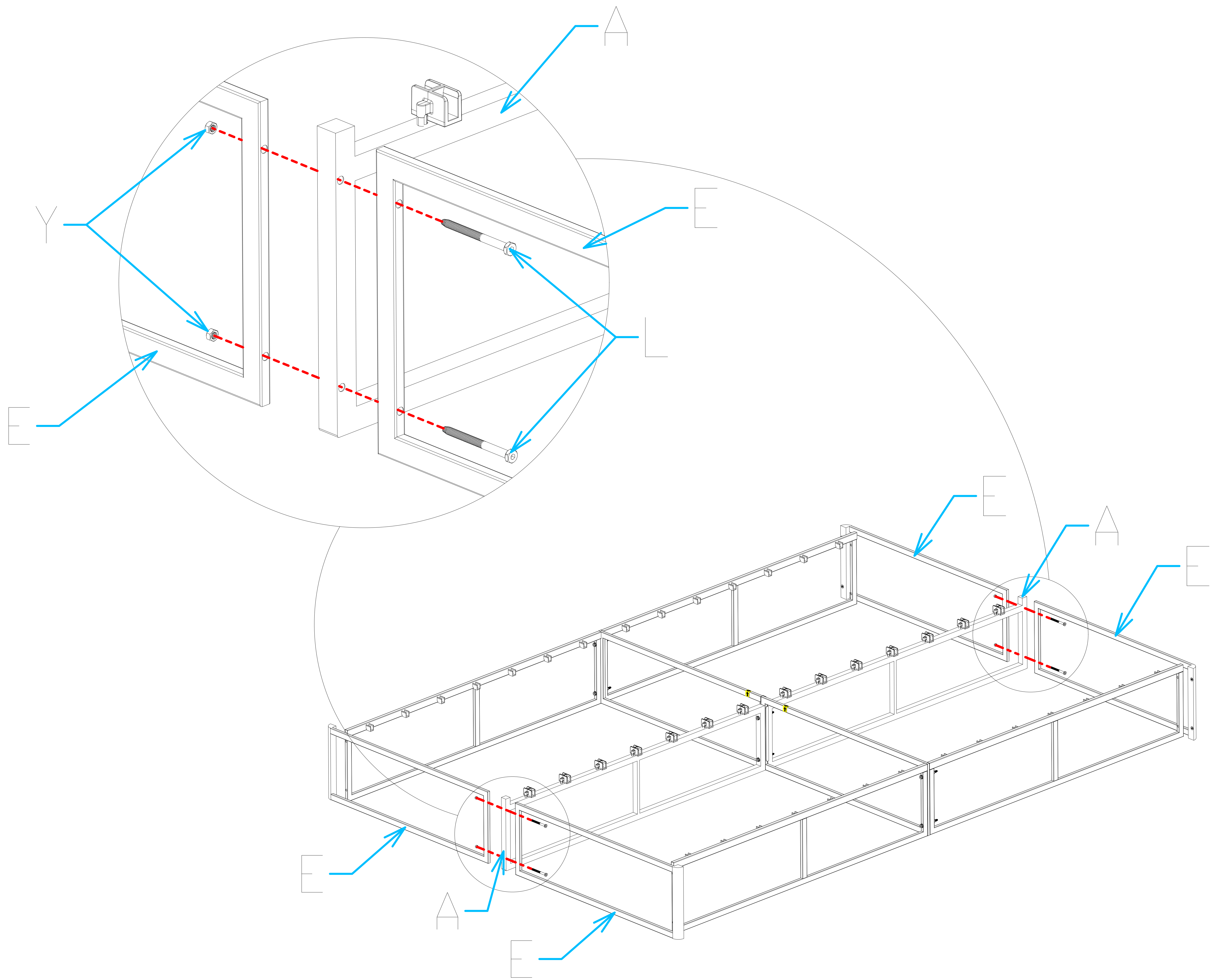


DON'T TIGHTEN BOLTS UNTIL EVERYTHING IS IN PLACE!

2

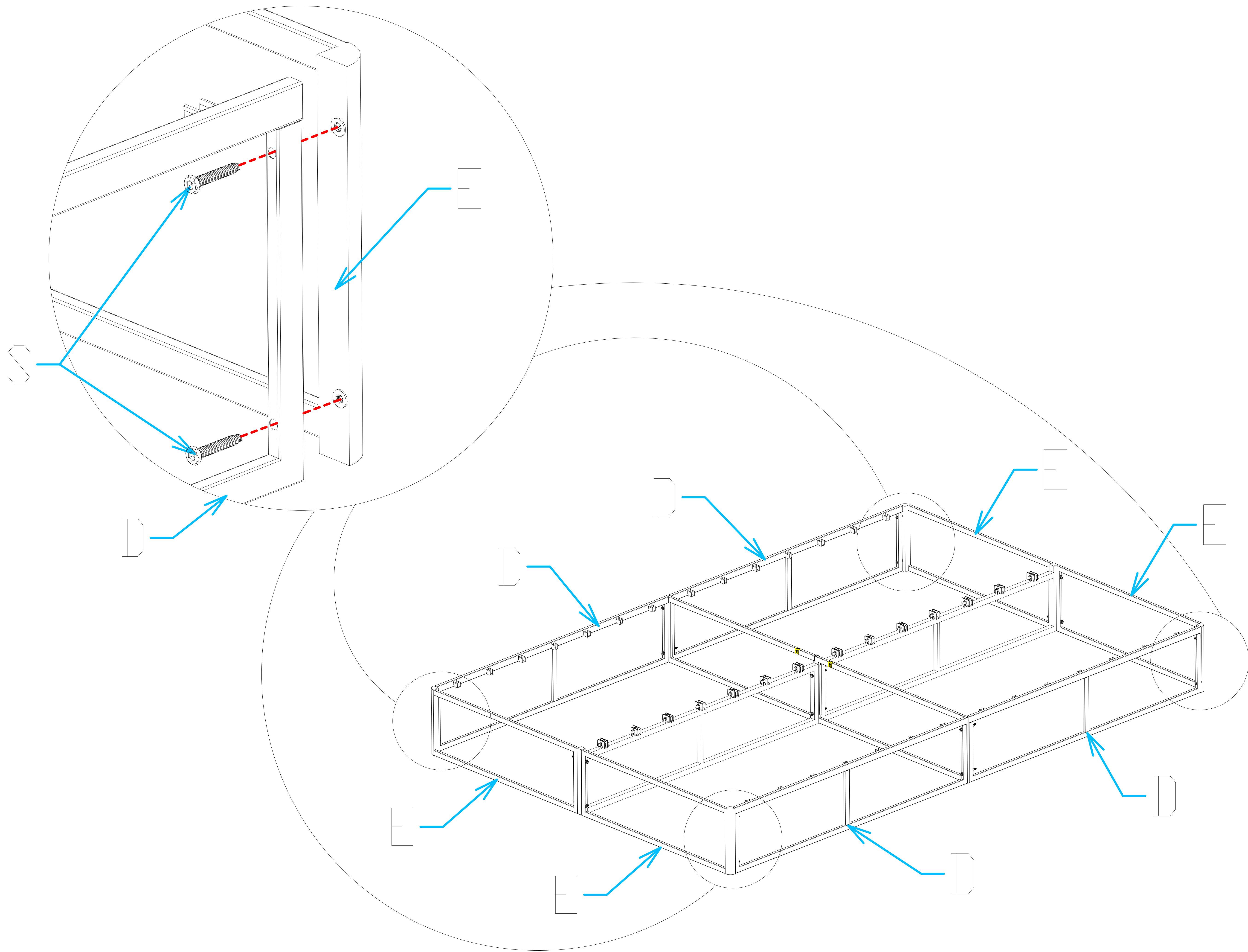


3

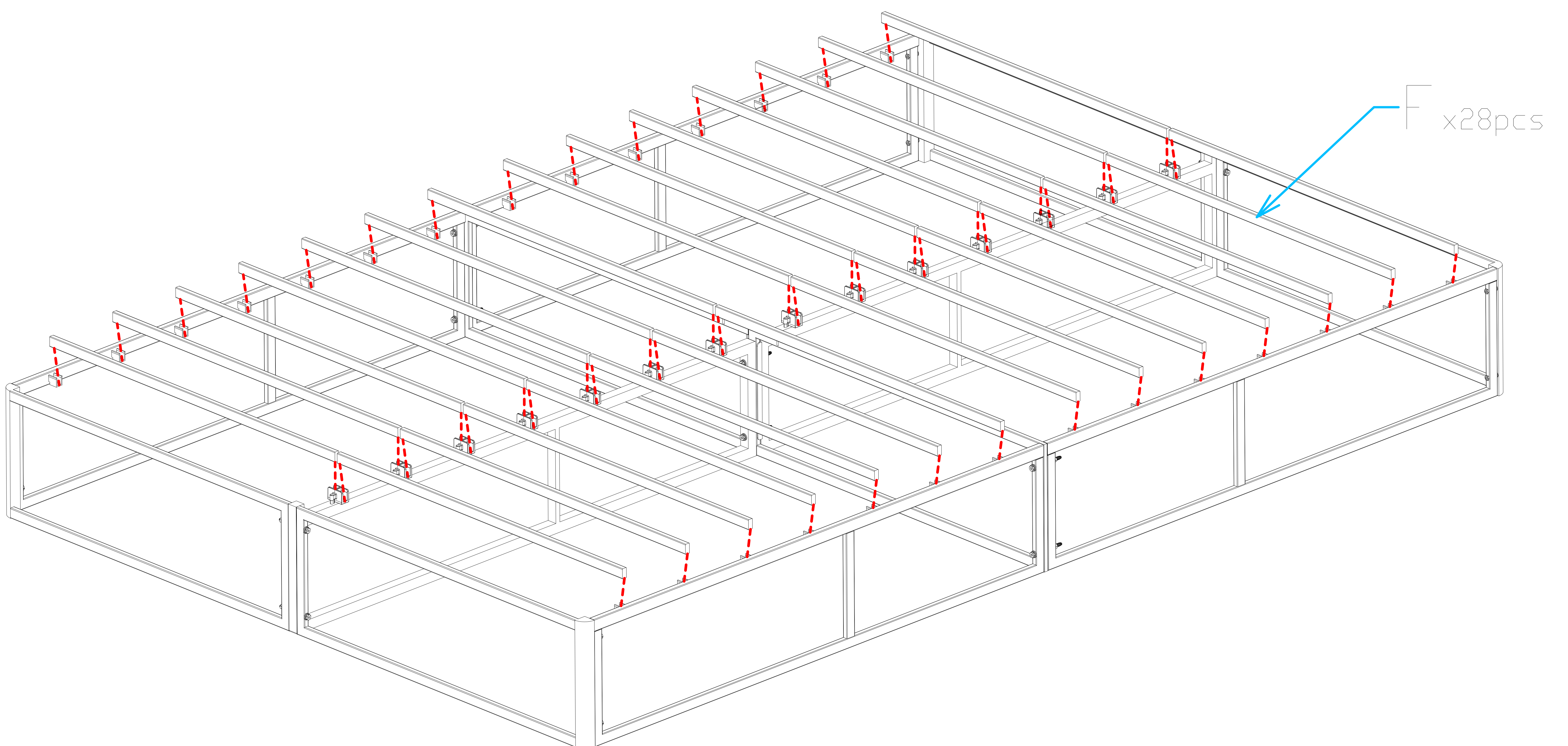


DON'T TIGHTEN BOLTS UNTIL EVERYTHING IS IN PLACE!

4

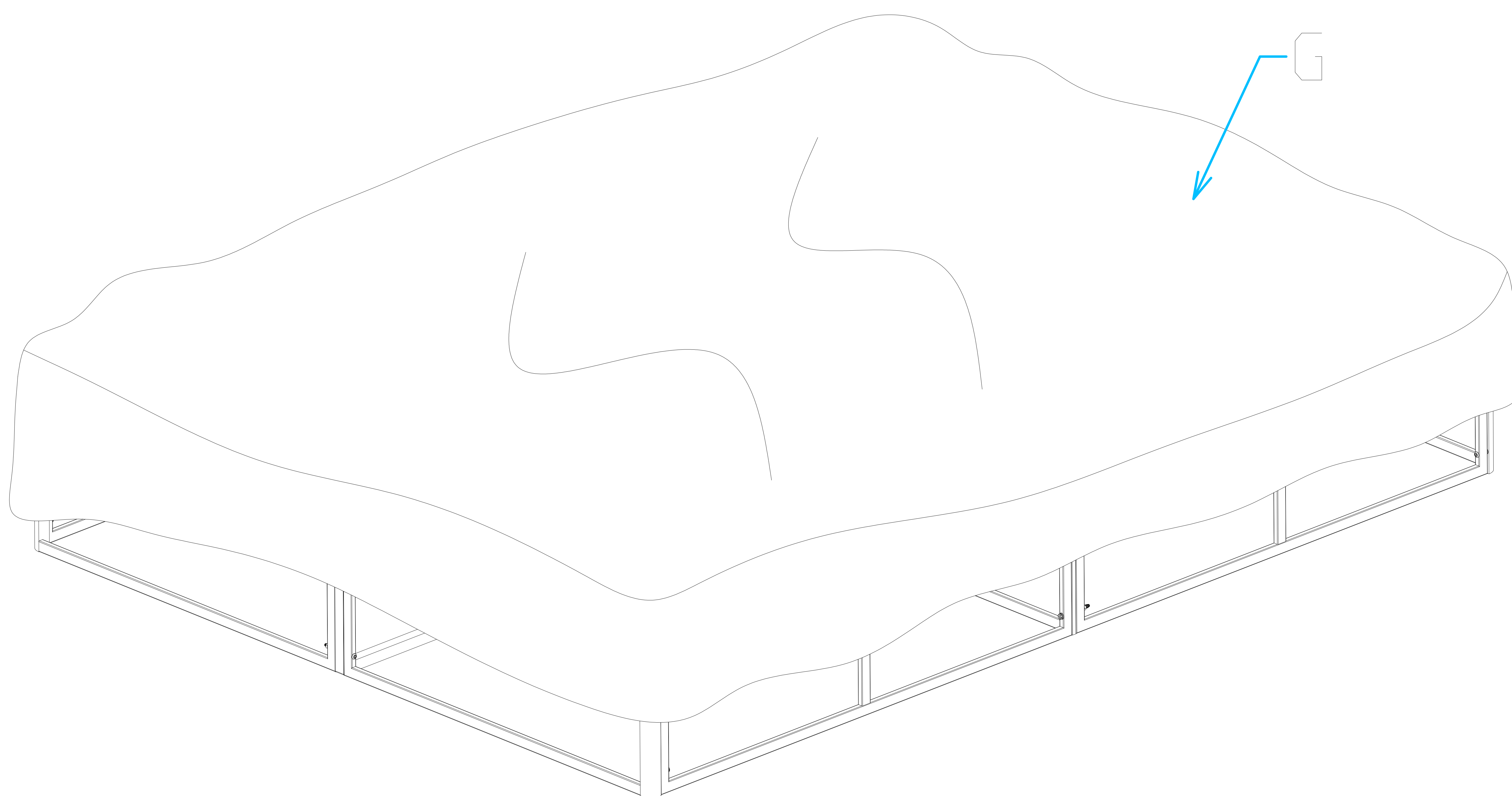


5

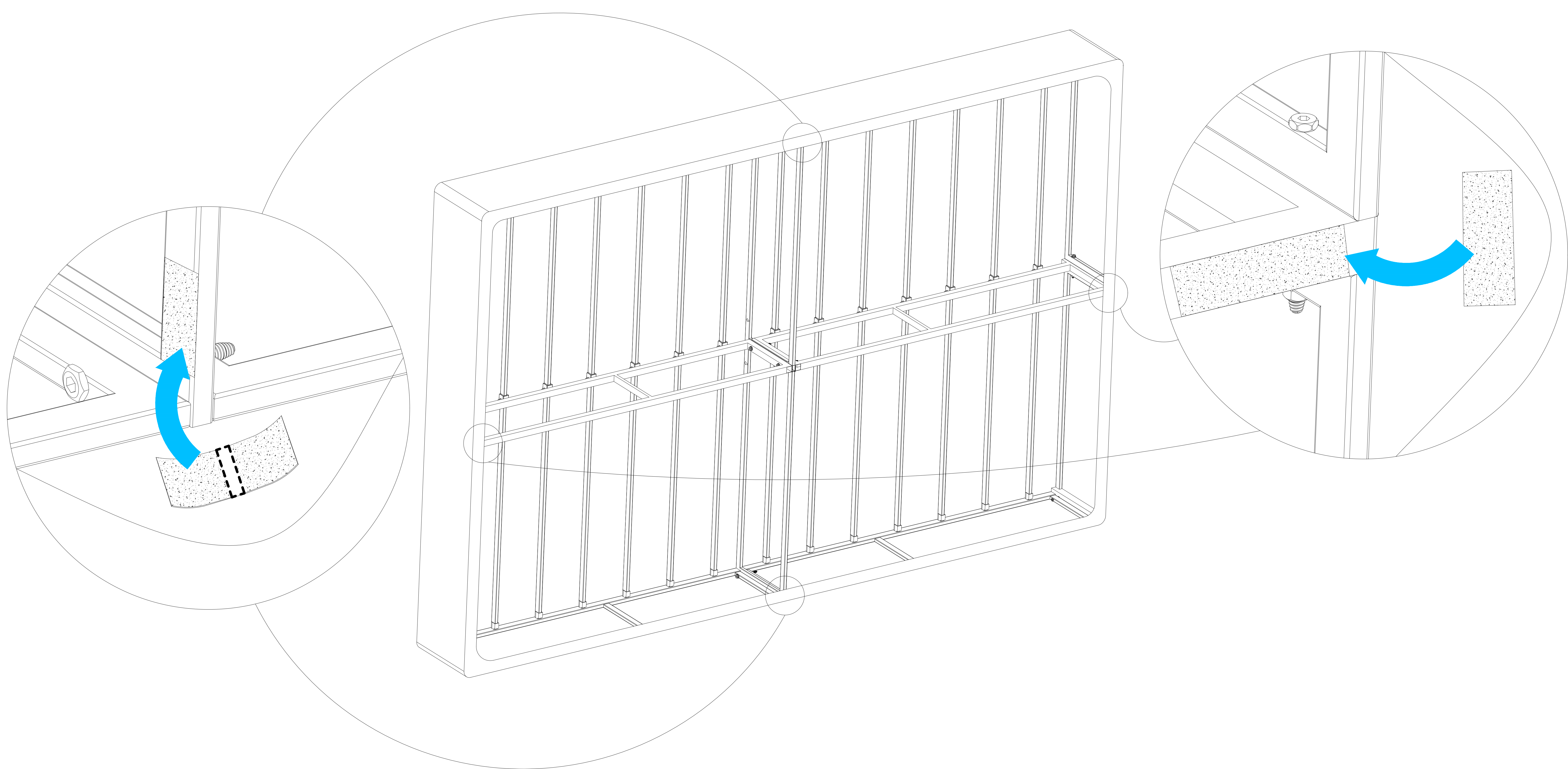


DON'T TIGHTEN BOLTS UNTIL EVERYTHING IS IN PLACE!

6



7



DON'T TIGHTEN BOLTS UNTIL EVERYTHING IS IN PLACE!

8

