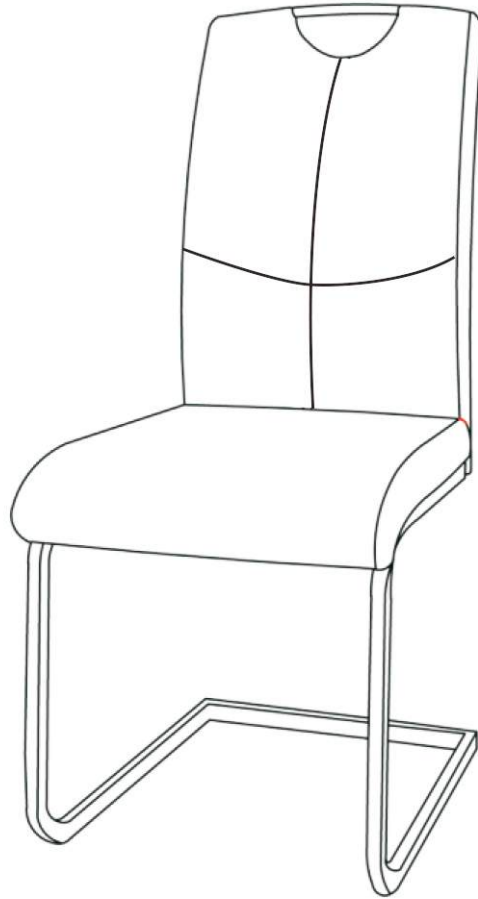


INSTRUCTION MANUAL

Model: Y1214-4



Attention :

If you encounter any problems during installation or use, pls feel free to contact us on shopping platform. We will provide you with a satisfactory solution within 24 hours.

Dining chair



1 - ITEMS DELIVERED-TECHNICAL DATA



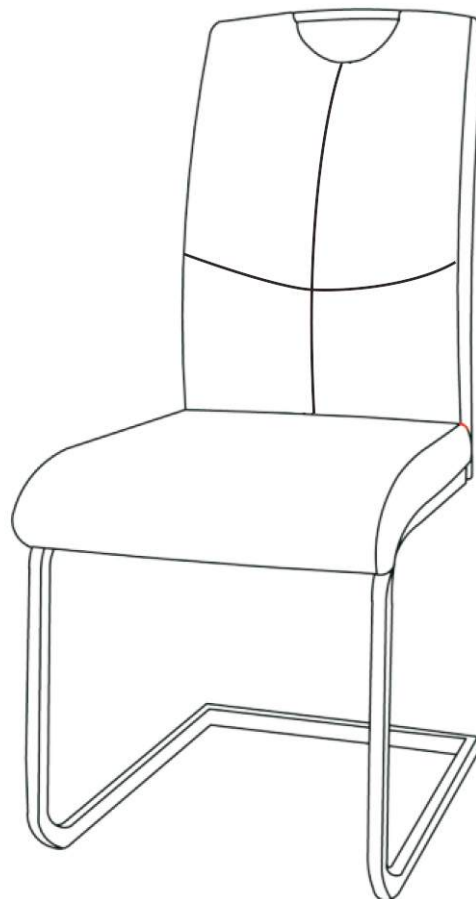
2 - ASSEMBLY



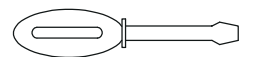
3 - CLEANING AND MAINTENANCE



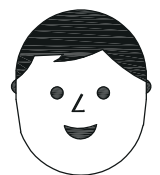
1 - ITEMS DELIVERED-TECHNICAL DATA



TO RISE




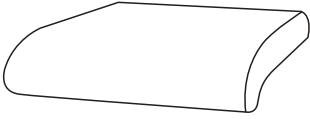

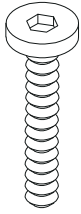
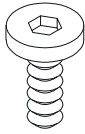
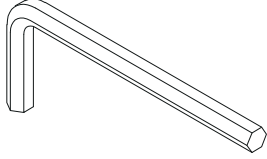
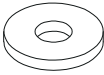
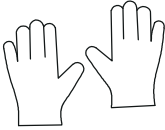
YOURSELF

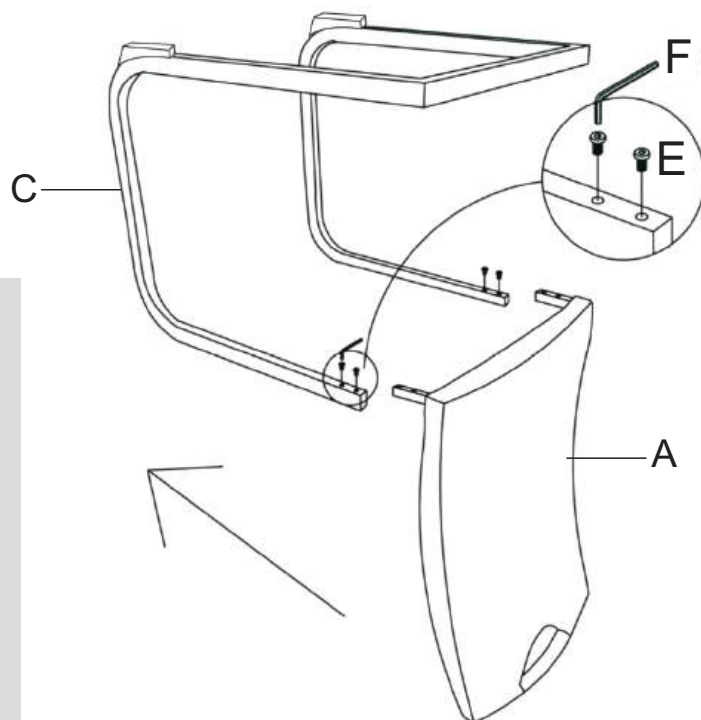


ASSEMBLY

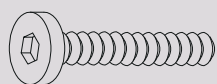


2 - ASSEMBLY

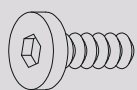
 <p>(A)*1</p>	 <p>(B)*1</p>
 <p>(C)*1</p>	 <p>(D)*4 M6x20mm</p>
 <p>(E)*4 M6x13mm</p>	 <p>(F)*1 5x31x81mm</p>
 <p>(G)*4 6x18x1.5mm</p>	 <p>(H)*1</p>



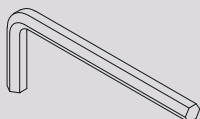
1



(D)*4 M6x20mm



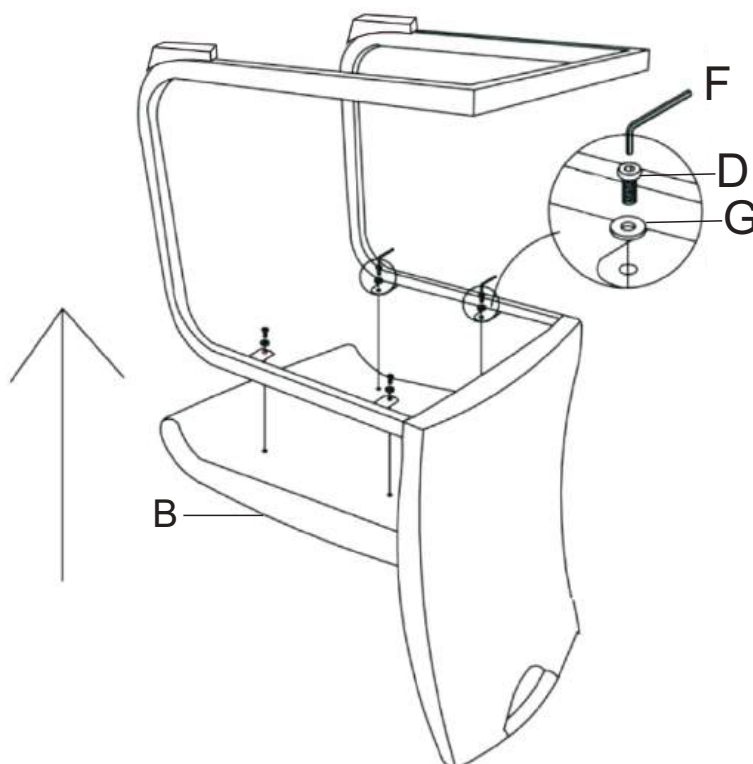
(E)*4 M6x13mm



(F)*1 5x31x81mm



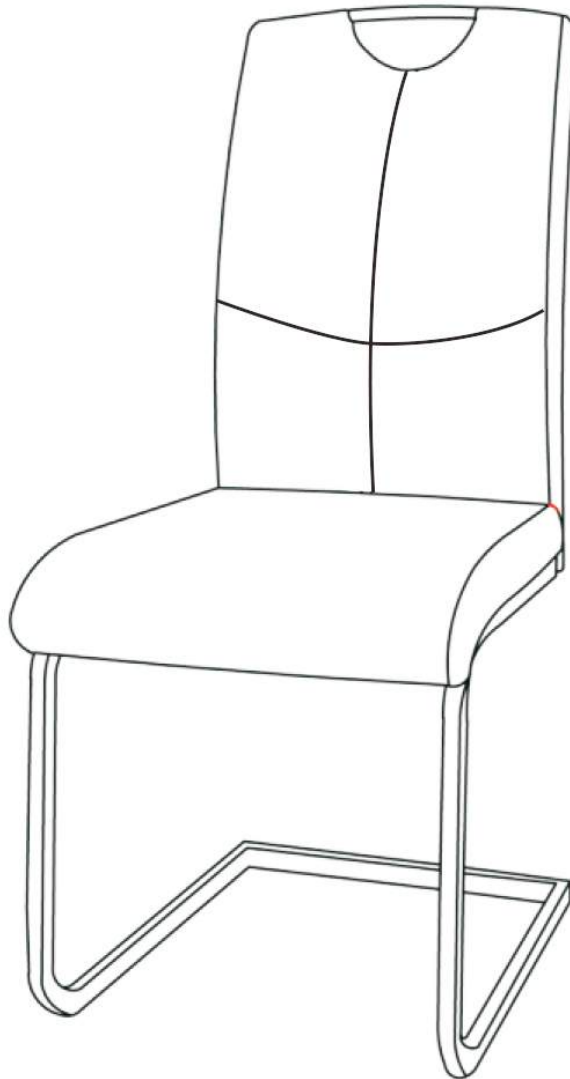
(G)*4 6x18x1.5mm



2

3

3

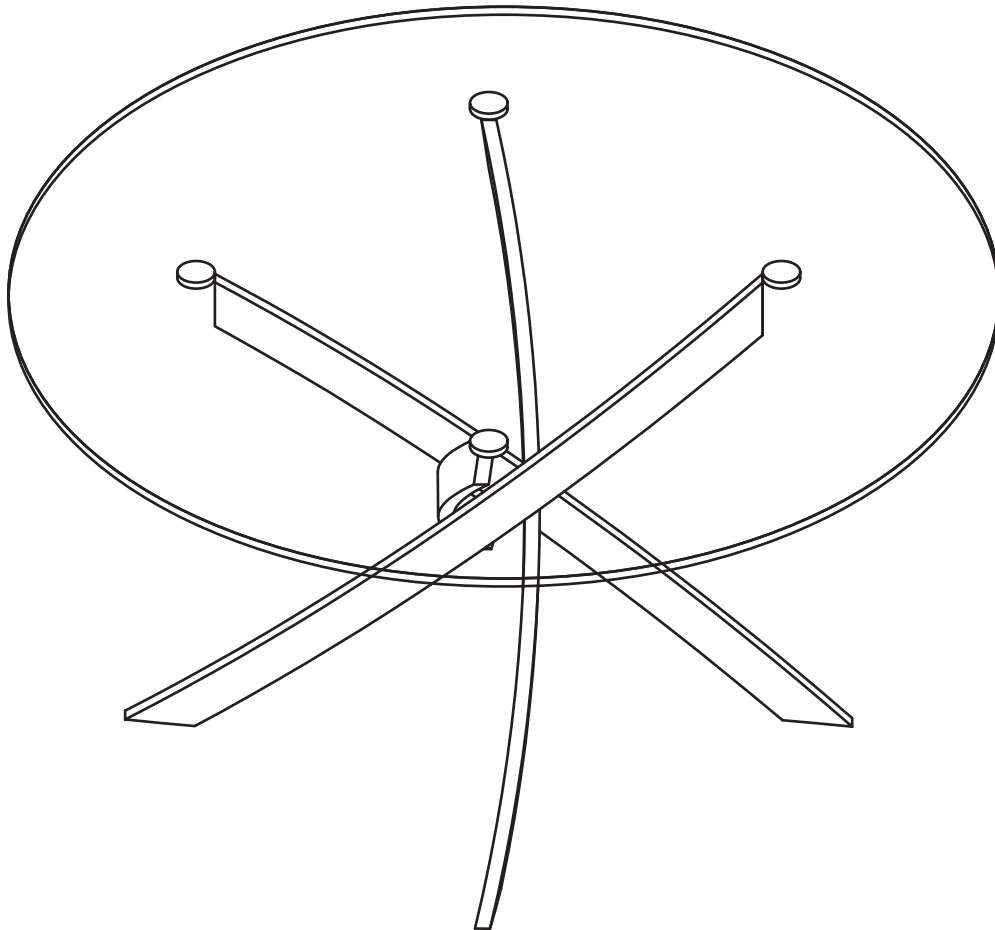


3 - CLEANING AND MAINTENANCE

- Do not use corrosive or abrasive for cleaning products.
- Clean with a soft cloth
- Don't interfere with metal objects in a mechanism, so that they are threatened with serious deterioration.

INSTRUCTION MANUAL

Model: Y1007-1





Attention :

If you encounter any problems during installation or use, pls feel free to contact us on shopping platform. We will provide you with a satisfactory solution within 24 hours.

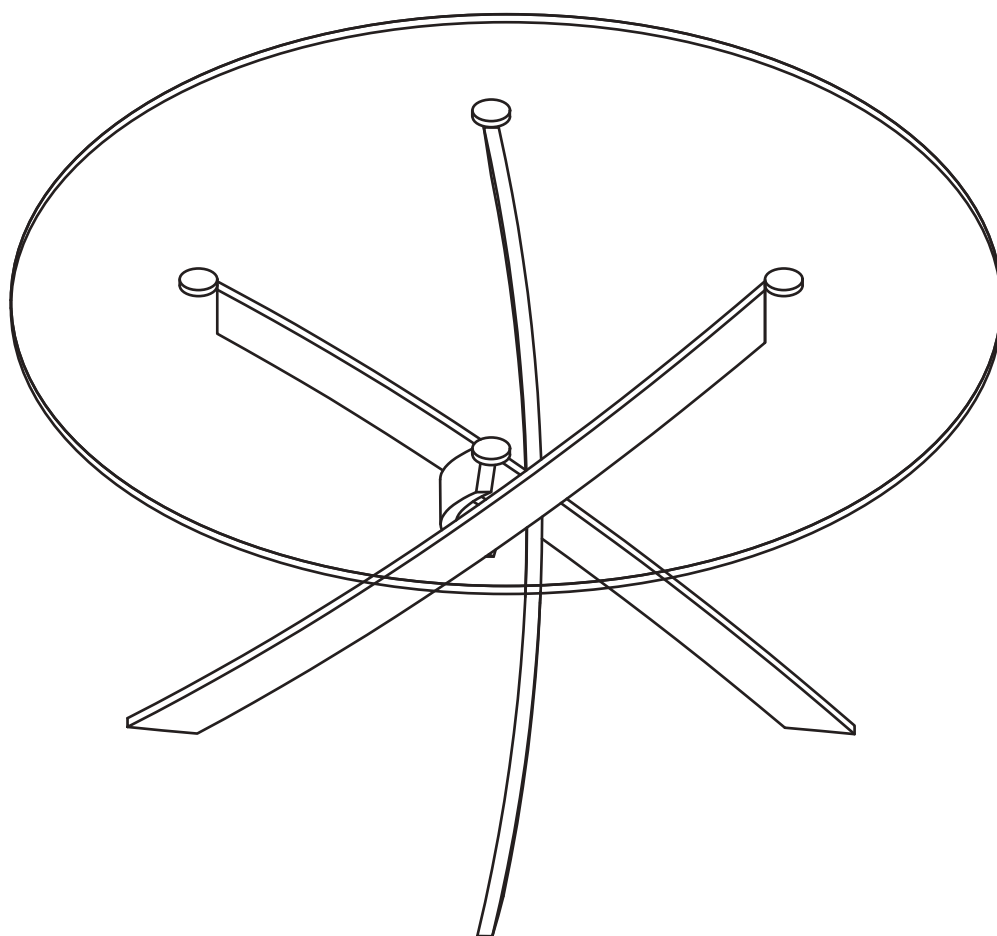
Dining Table

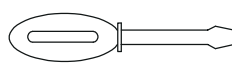
 1 - ITEMS DELIVERED-TECHNICAL DATA


 2 - ASSEMBLY

 3 - CLEANING AND MAINTENANCE

 1 - ITEMS DELIVERED-TECHNICAL DATA

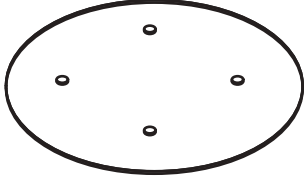








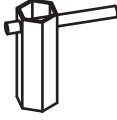

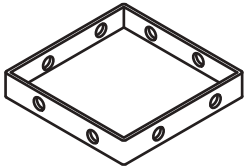
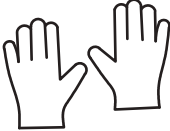


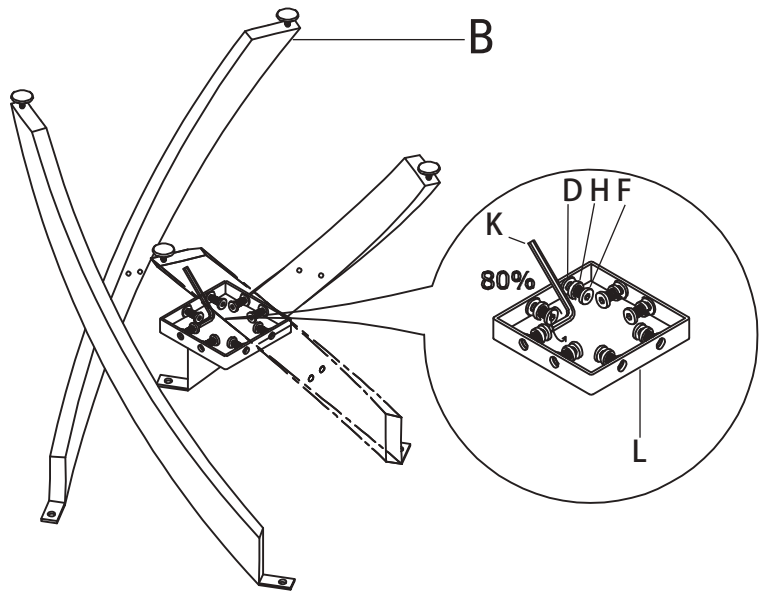
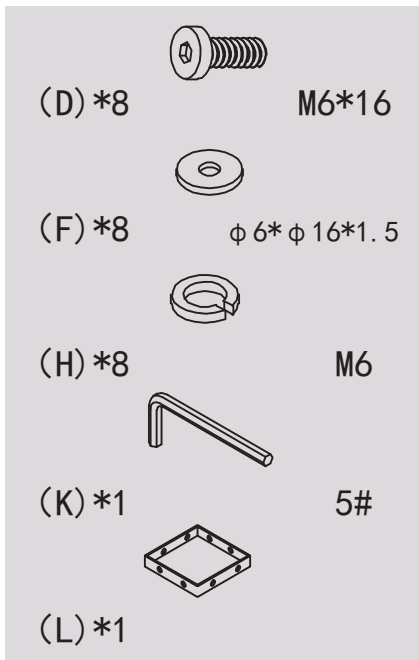
TO RISE

YOURSELF


ASSEMBLY

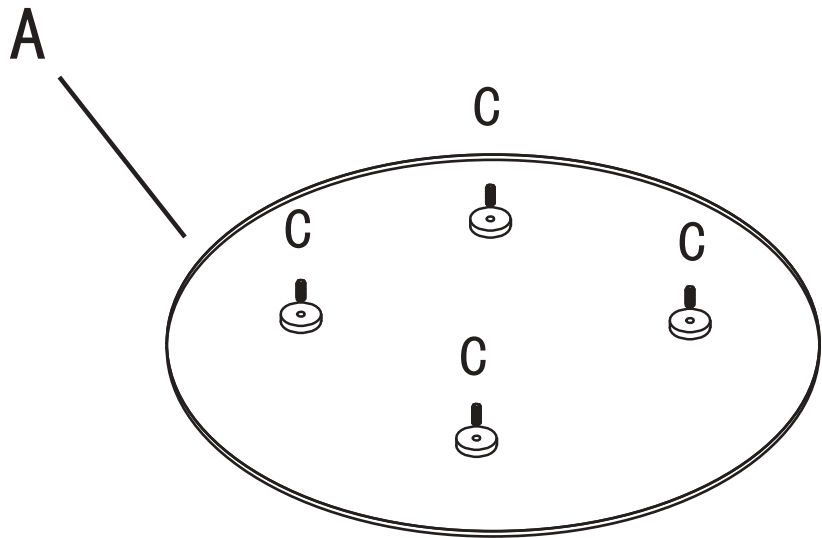
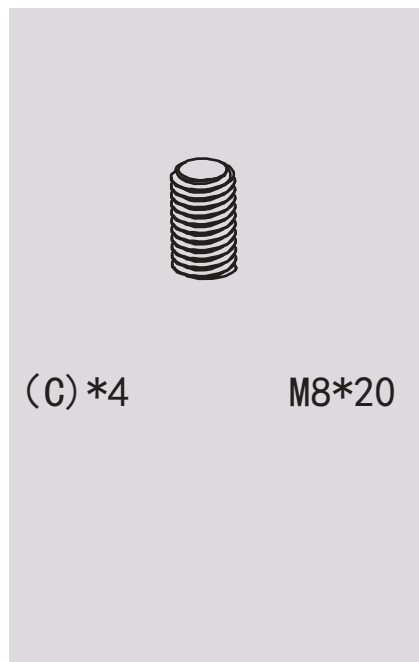


2 - ASSEMBLY

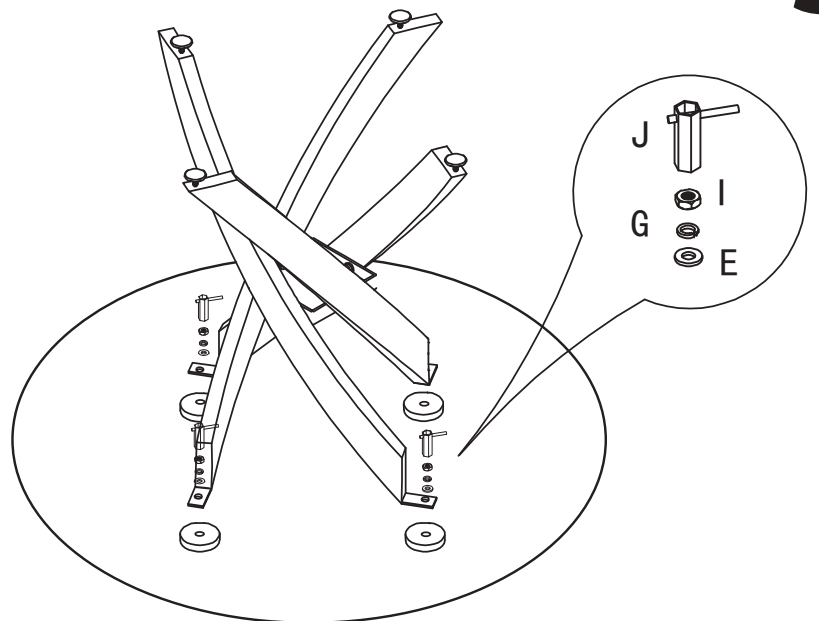
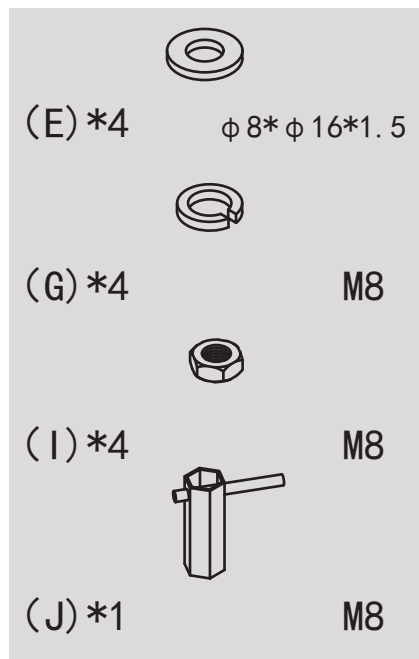
 <p>(A)*1</p>	 <p>(B)*4</p>
 <p>(C)*4</p> <p>M8*20</p>	 <p>(D)*8</p> <p>M6*16</p>
 <p>(E)*4</p> <p>ø8*ø16*1.5</p>	 <p>(F)*8</p> <p>ø6*ø16*1.5</p>
 <p>(G)*4</p> <p>M8</p>	 <p>(H)*8</p> <p>M6</p>
 <p>(I)*4</p> <p>M8</p>	 <p>(J)*1</p> <p>M8</p>
 <p>(K)*1</p> <p>5#</p>	 <p>(L)*1</p>
 <p>(M)*1</p>	



1

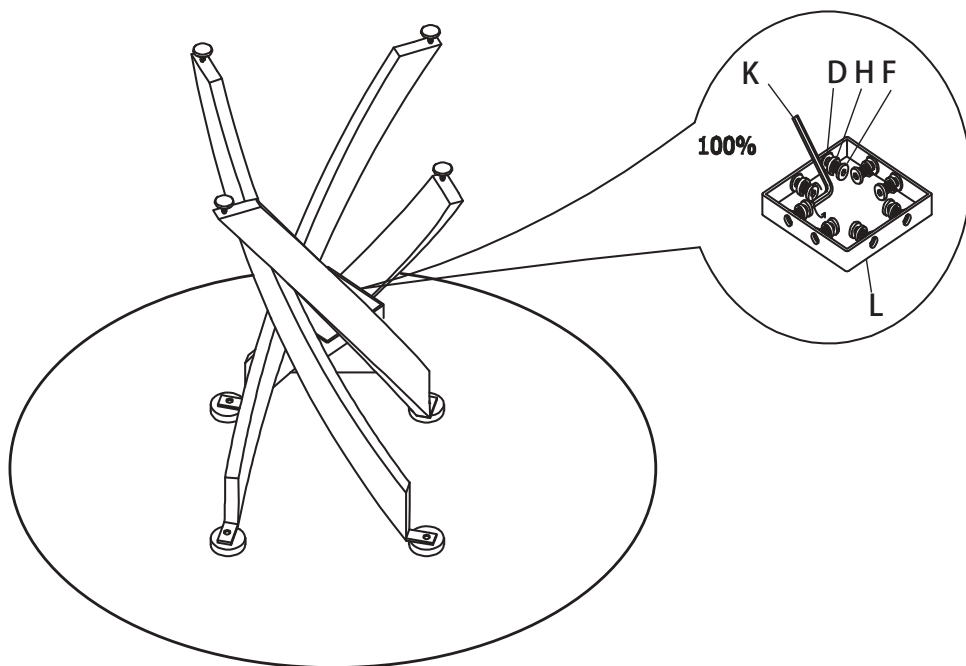
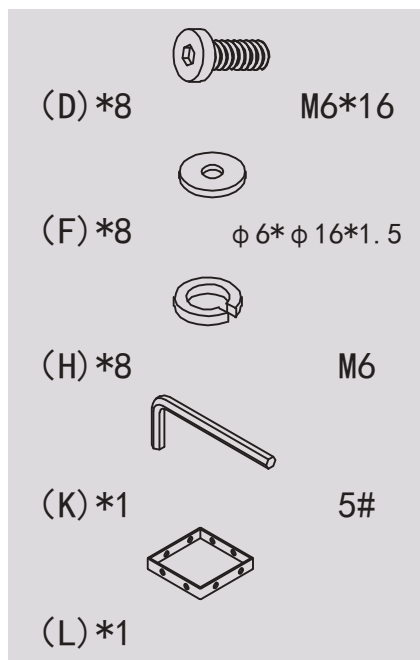


2



3

3



3 - CLEANING AND MAINTENANCE

- Do not use corrosive or abrasive for cleaning products.
- Clean with a soft cloth
- Don't interfere with metal objects in a mechanism, so that they are threatened with serious deterioration.