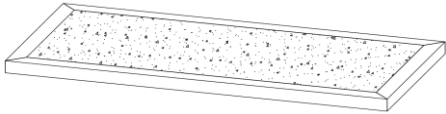


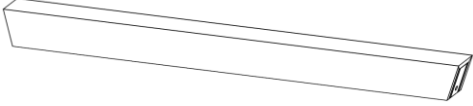


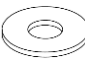

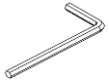


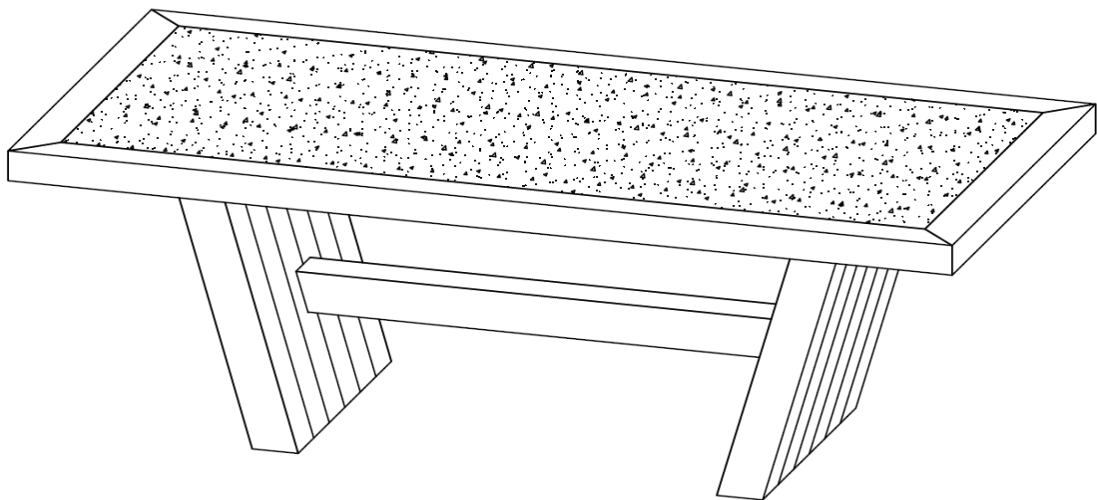
ASSEMBLY INSTRUCTIONS

SKU# 51031320

PARTS LIST

A	TABLE TOP X 1		<p>Before beginning</p> <p>1 - Carefully unpack and position the item on a clean, non-marring surface to assemble.</p> <p>2 - Read this Assembly Instructions from beginning to end before starting to assemble.</p> <p>3 - Take an inventory of the required parts to ensure all are available.</p> <p>4 - To prevent accidental choking hazards, keep all packing materials away from small children.</p> <p>5 - Only tighten hardware until ALL hardware are fully engaged on their locations. Overtighten bolts will damage the bolt threads.</p> <p>6 - Use only factory provided hardware to assemble. Unapproved hardware can damage product or jeopardize the structural integrity of the product.</p> <p>7 - The use of power tool to assemble is not recommended due to high risk of over-torque, which can damage the product.</p>				
B	LEGS X 2						
C	TOP SUPPORT X 1						
D	STRETCHER X 1						

Z	HARDWARE	<p>Z1</p>  <p>8X70MM X 3</p>	<p>Z2</p>  <p>8X60MM X 6</p>	<p>Z3</p>  <p>8X19X2MM X 9</p>	<p>Z4</p>  <p>8X12X2MM X 6</p>	<p>Z5</p>  <p>4X59MM X 1</p>					
---	----------	--	--	--	--	--	--	--	--	--	--



ASSEMBLY REQUIRES
TWO PEOPLE



15-MINUTE
ASSEMBLY TIME



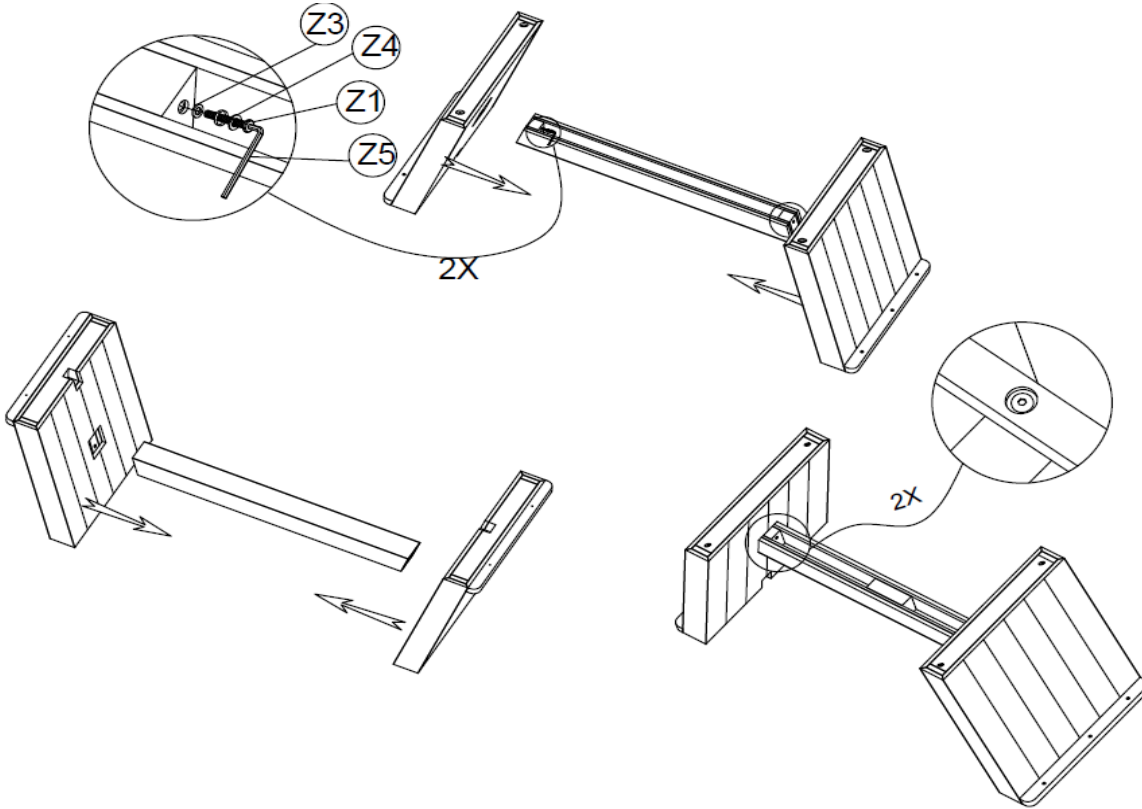
KEEP INSTRUCTIONS
FOR FUTURE USE



ASSEMBLY INSTRUCTIONS

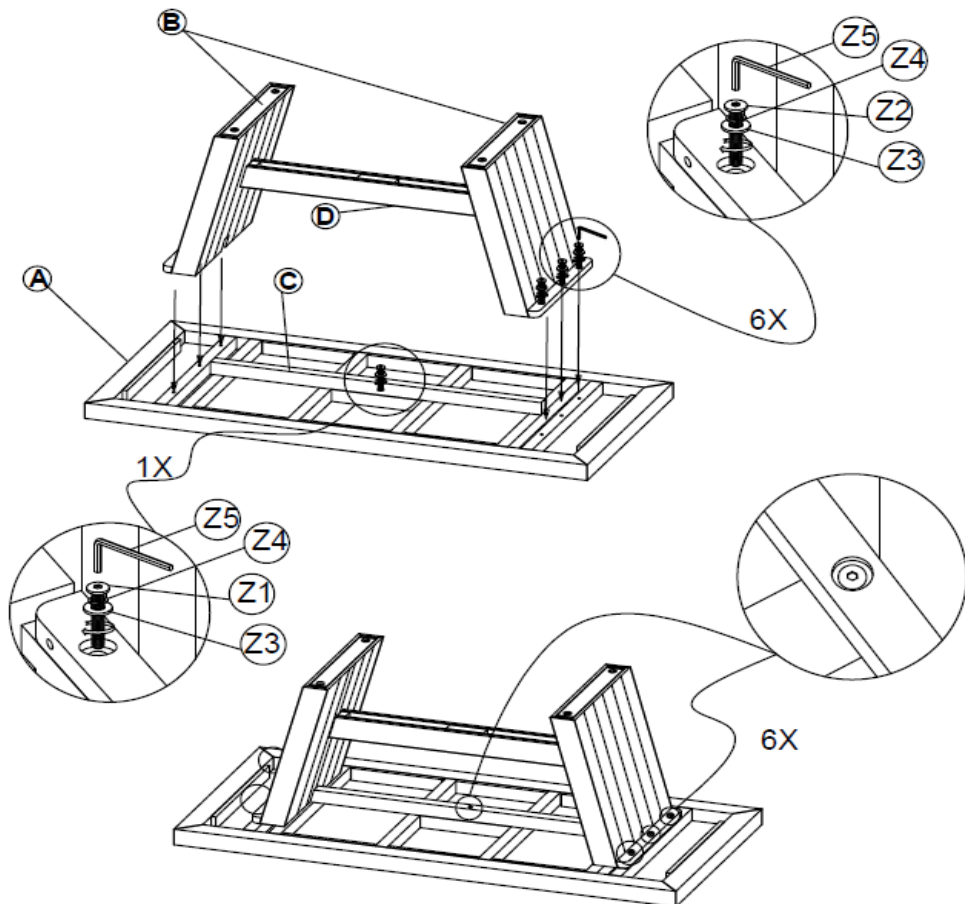
SKU# 51031320

1



- Assemble the Stretcher (C) to the Legs (B) by using Allen key (Z5) to tighten Allen Bolts (Z1), Spring Washers (Z4) and Washers (Z3).

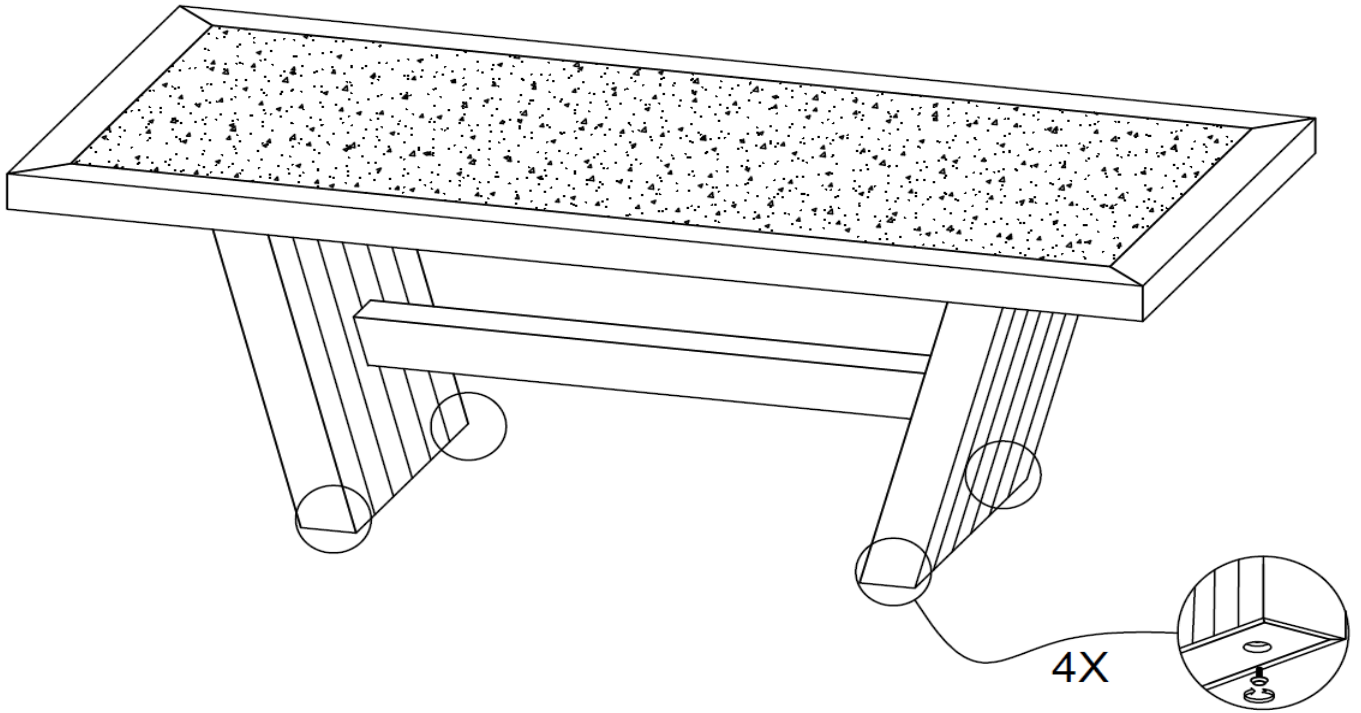
2



- Assemble the Top support (C) to the Table top (A) by using Allen key (Z5) to tighten Allen Bolts (Z1), Spring Washers (Z4) and Washers (Z6).
 - Attach the Leg set into the Table Top (A). Using Allen key (Z5) to tighten Allen Bolts (Z2), Spring Washers (Z4) and Washers (Z6)

ASSEMBLY INSTRUCTIONS
SKU# 51031320

3



- With two people carefully turn the Table over and stand on its legs.
- If the Table doesn't sit level, please adjust the adjustable bolts under the legs.
- Completed item.