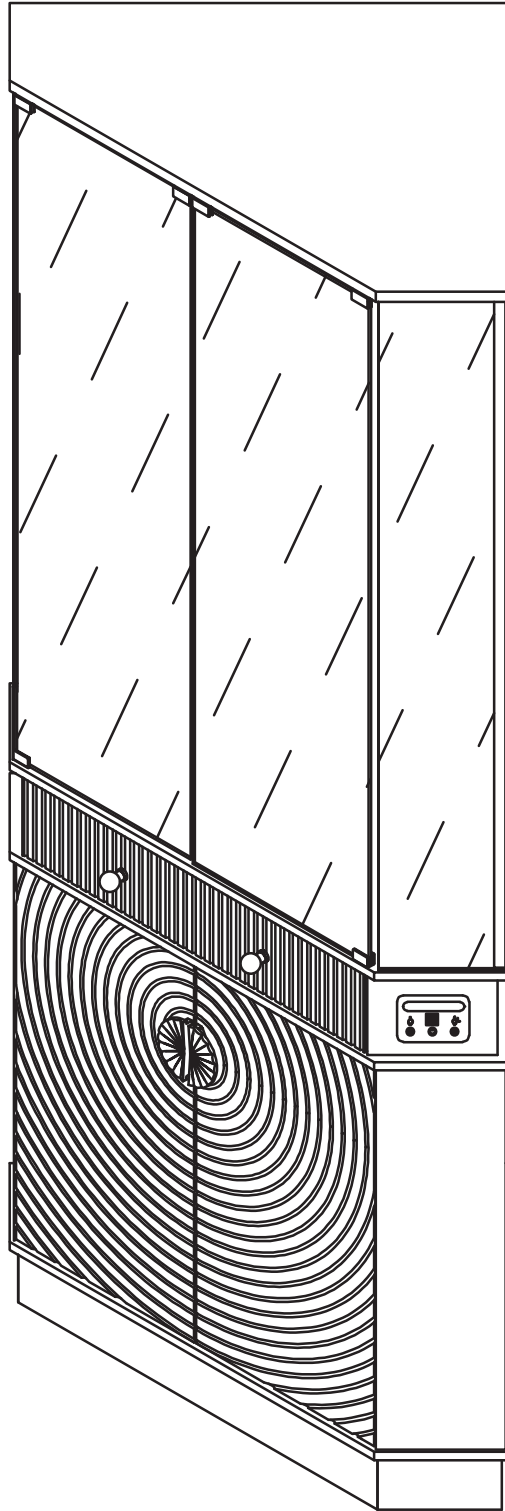
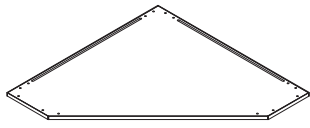
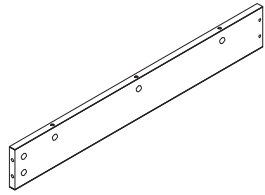


Product Installation Instructions

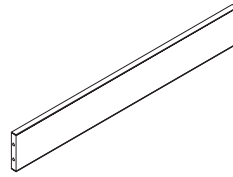




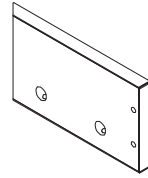
1x1



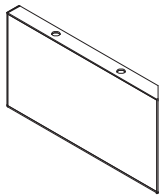
2x1



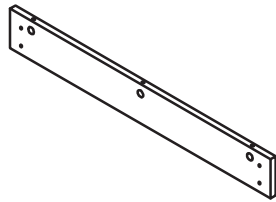
3x1



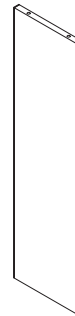
4x1



5x1



6x1



7x1



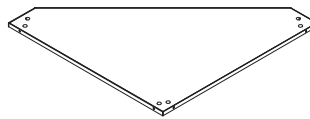
8x1



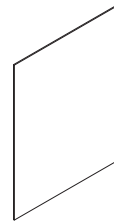
9x1



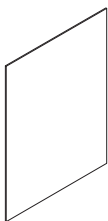
10x3



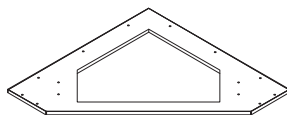
11x1



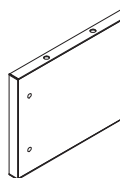
12x1



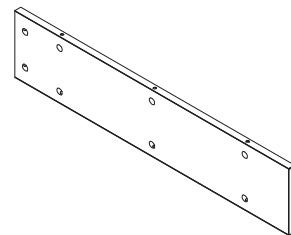
13x1



14x1



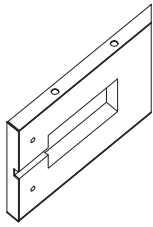
15x1



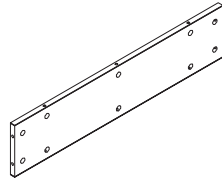
16x1



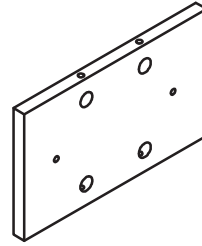
1



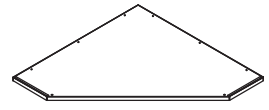
17x1



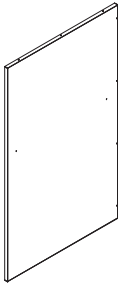
18x1



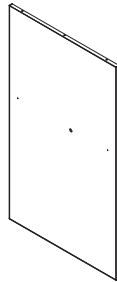
19x2



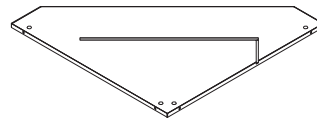
20x1



21x1



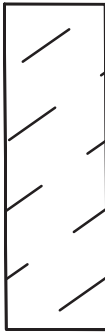
22x1



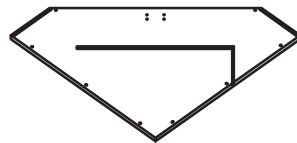
23x1



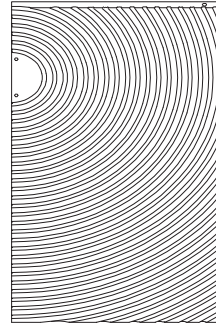
24x2



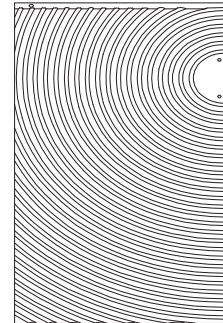
25x2



26x1



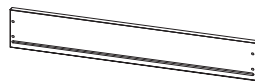
27x1



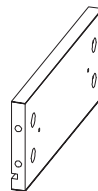
28x1



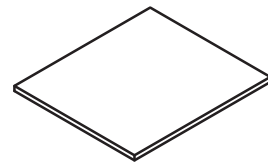
29x1



30x1



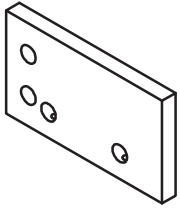
31x2



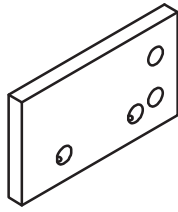
32x1



2

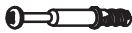



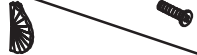
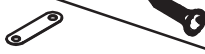

















33x1

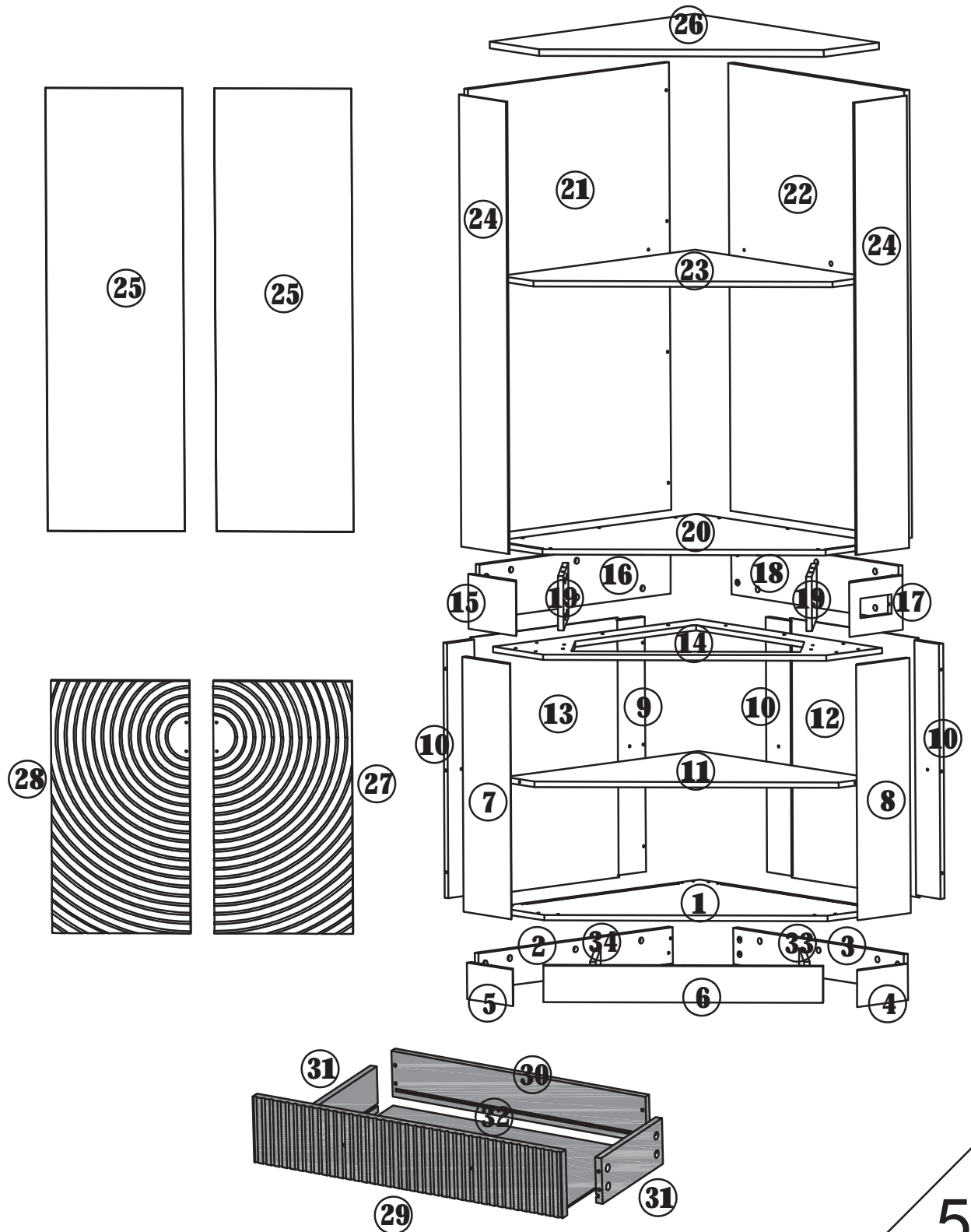


34x1

Accessories list

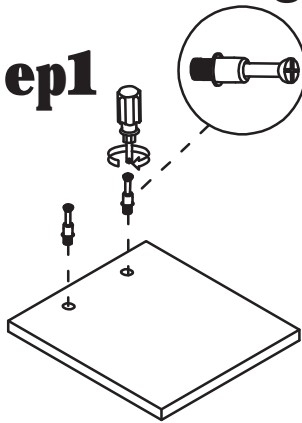
(A)		Two In One Screw (6x28mm)	120pcs +3pcs
(B)		Two In One Nut (10x12mm)	120pcs +3pcs
(C)		Wood Chipping (6x30mm)	8pcs +2pcs
(D)		Handle & screw (4x20mm)	2pcs / 2pcs
(E)		Handle & screw (4x20mm)	2pcs / 4pcs
(F)		Iron Sheet screw (3x10mm)	2pcs / 4pcs
(G)		Screw & Guide (8 inch) (3x12mm)	2pcs / 10pcs
(H)		Wire Clamp	2pcs
(J)		Back plate buckle & Screw 3x16mm	16pcs / 16pcs
(M)		Foot rubber pad(50x10x2mm)	8pcs
(N)		Door shaft	4pcs
(O)		Rebound device & Screw (3x16mm) Iron sheet Hinge	1pcs / 4pcs
			4pcs / 2pcs
			2pcs / 2pcs
(P)		power cord extension cord	1pcs
(Q)	Anti Fall Hardware 		
(R)		A23 wireless box	1pcs
(S)		Wine glass rack & screw B3.5*12mm)	3pcs / 6pcs
(T)		Magnetic Attraction Screw (3x16mm)	1pcs / 2pcs
		AC/DC Adapter(12V=2.0A)	1pcs
 1pcs Double-head screwdriver, use as required			4

Product structure decomposition

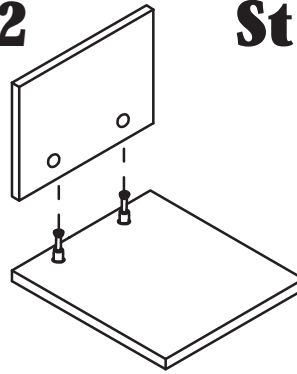


Use parts A and B

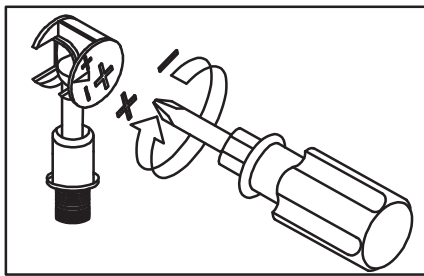
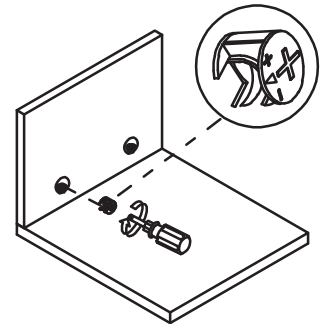
Step1



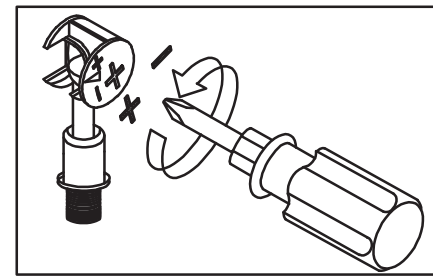
Step2



Step3

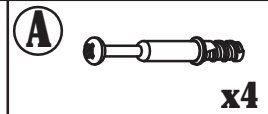
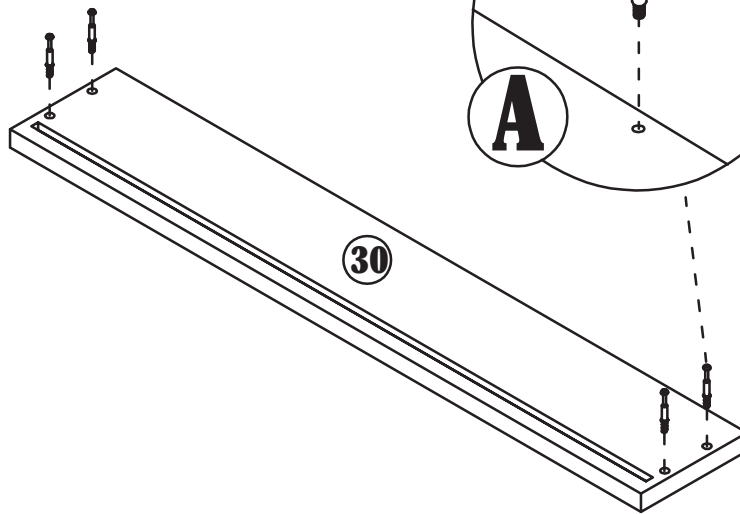


Use a screwdriver to lock in the direction of the "+" sign



Disassemble along the direction of "-" sign

Step 1



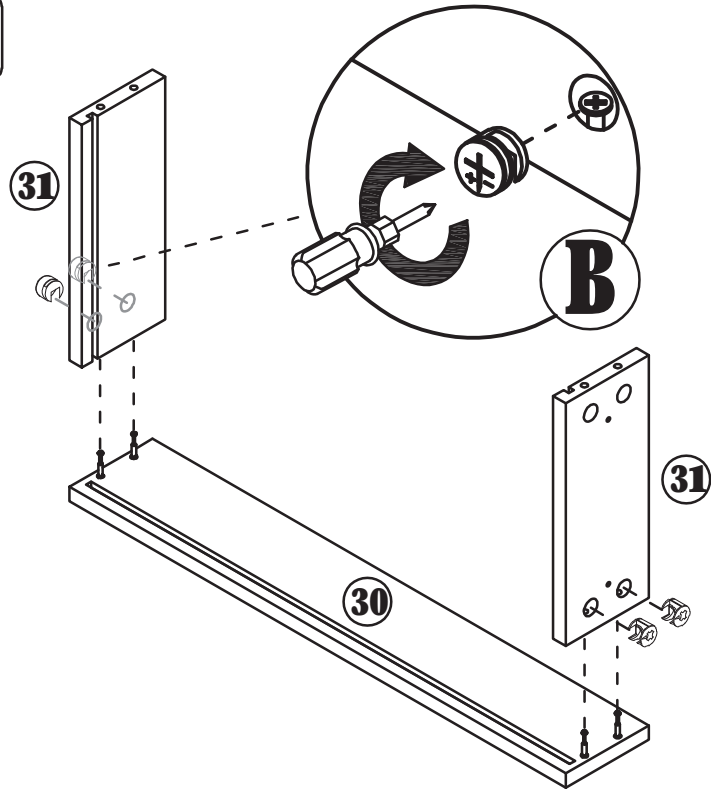
6

Step 2

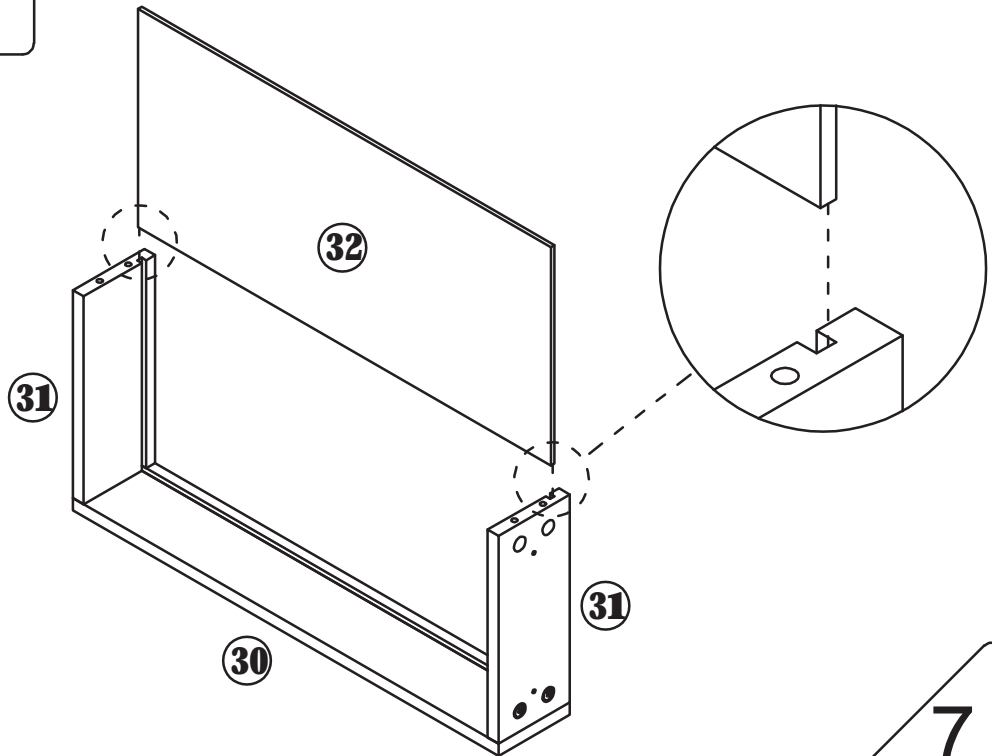
B



x4

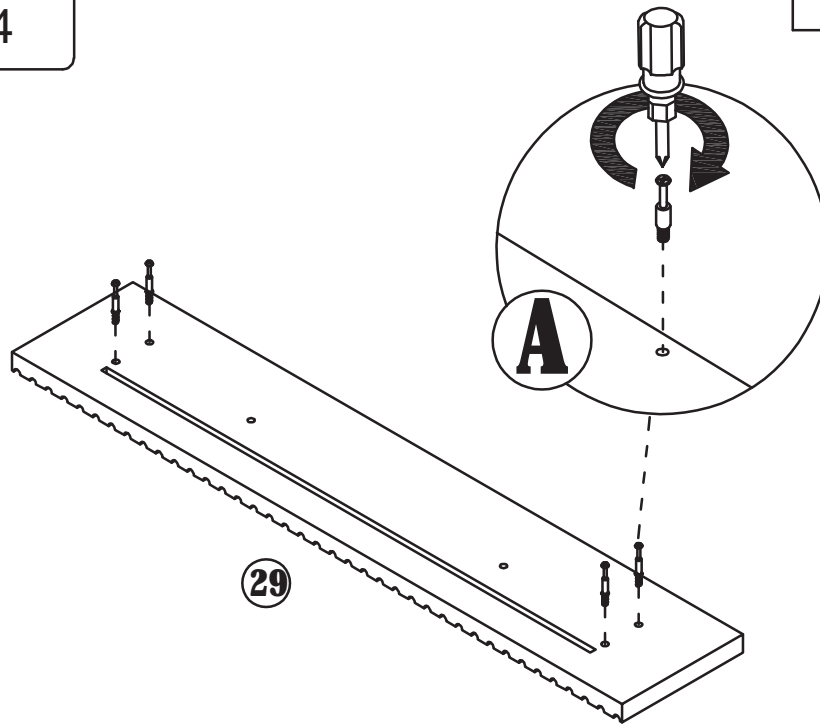
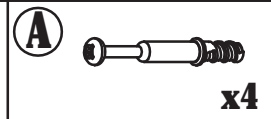


Step 3

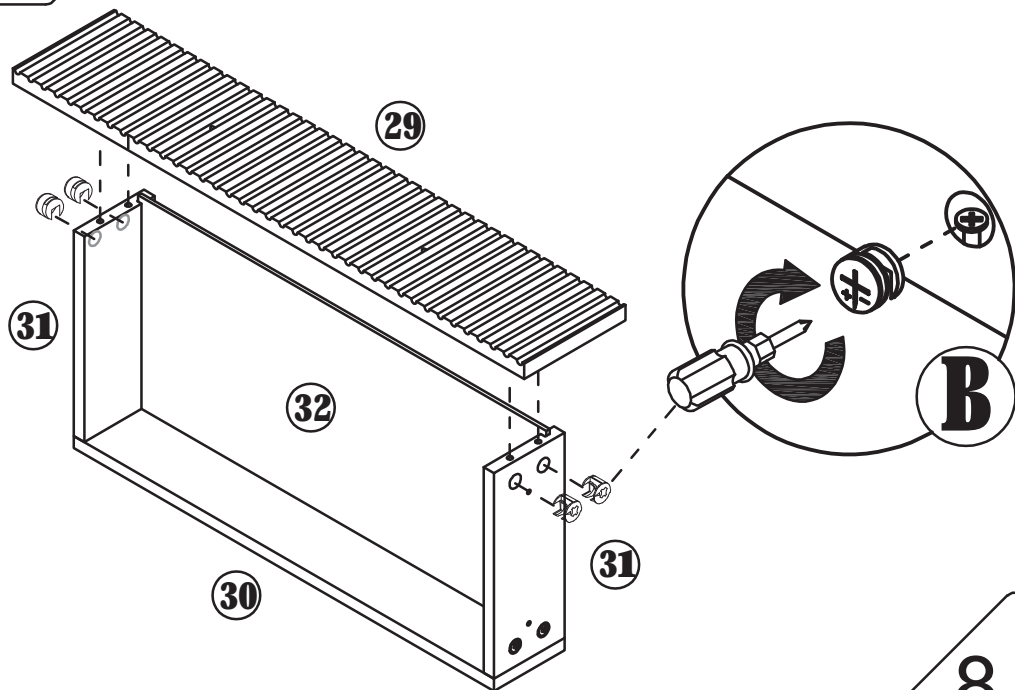


7

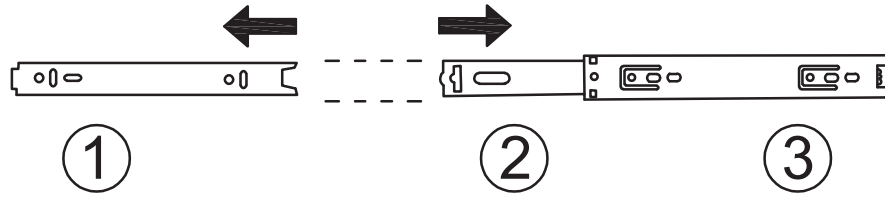
Step 4



Step 5

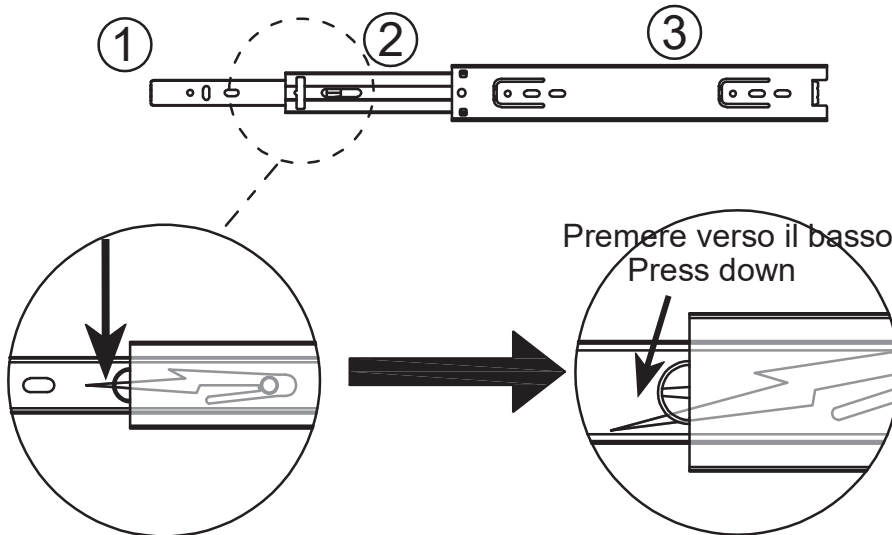


Schema di ripartizione delle guide dei cassetti
 Drawer rail breakdown diagram



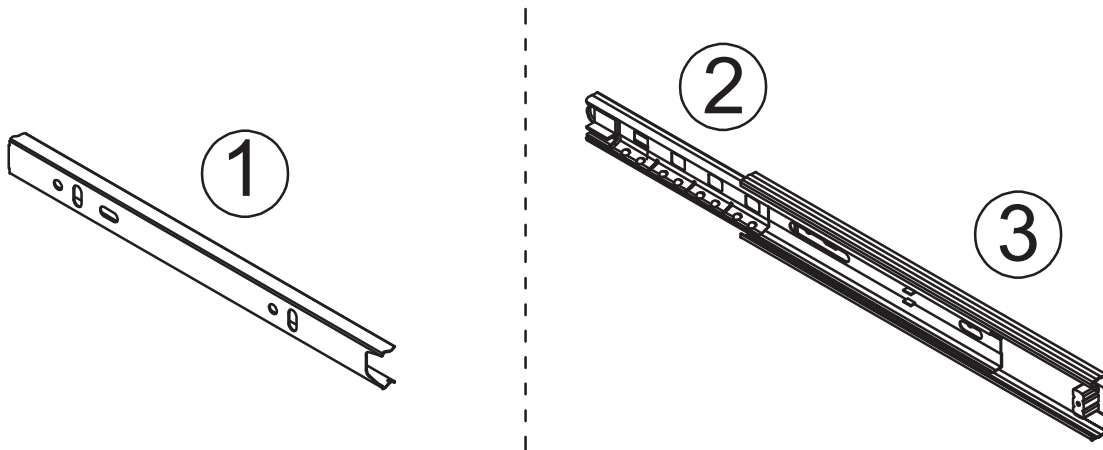
① Dismantle the schematic diagram
 ① Dismantle the schematic diagram

Step 1 : Pull the rails apart Passaggio 1: Separare le guide



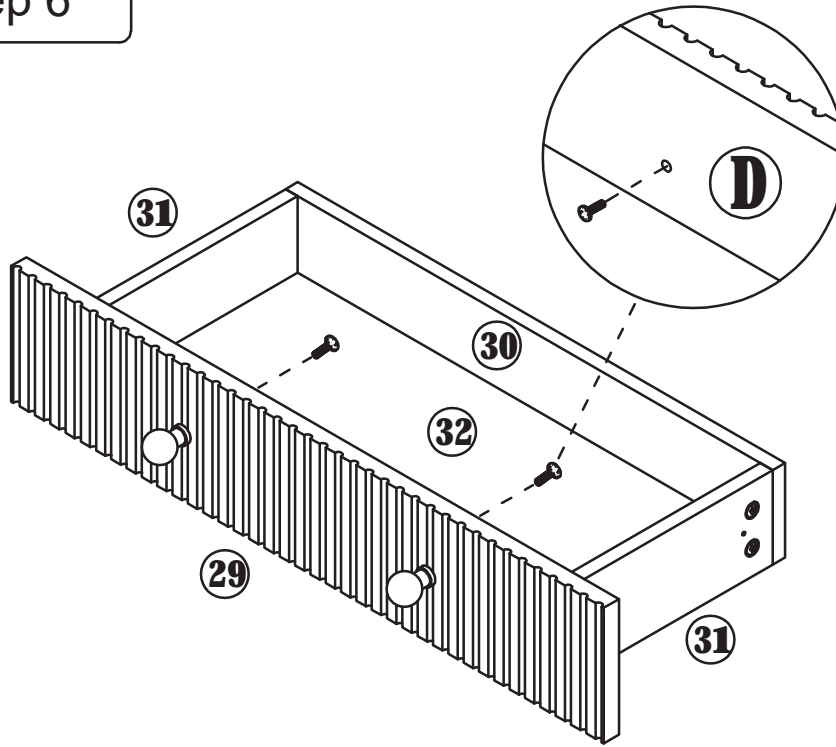
Passaggio 2: Premere il pulsante in nylon ed estrarlo ①.
 Step 2 : Press the nylon button and pull out ①.

Schema elettrico della scomposizione delle guide del cassetto completata
 Drawer rail **decomposition completed schematic diagram**





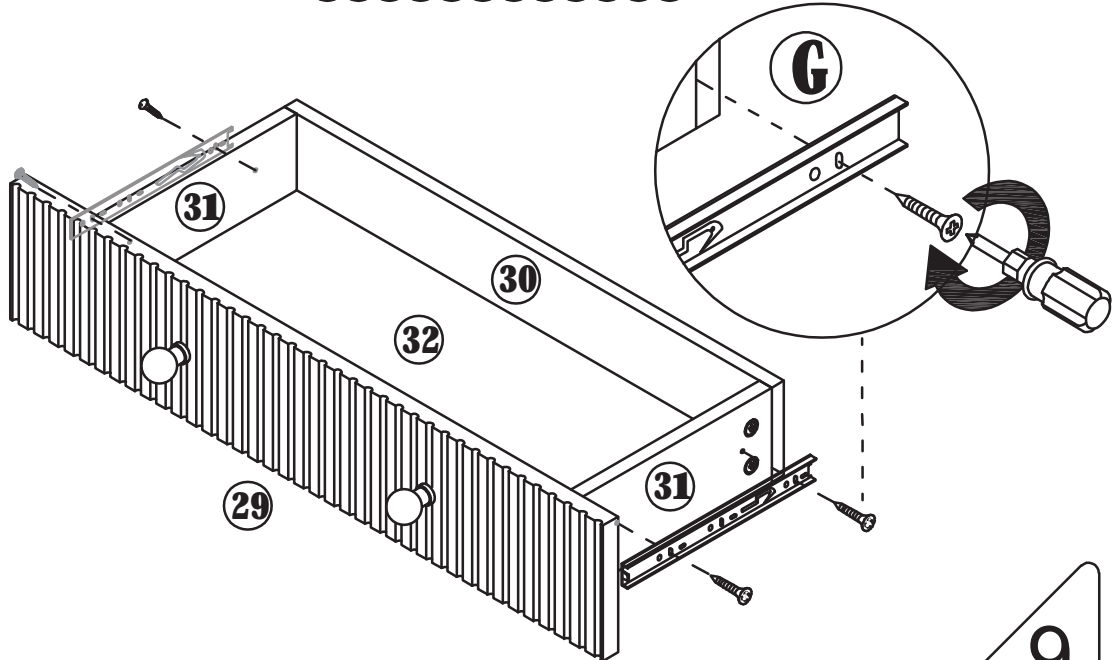
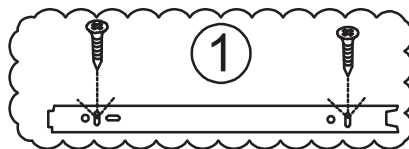
Step 6

D  
x2 x2

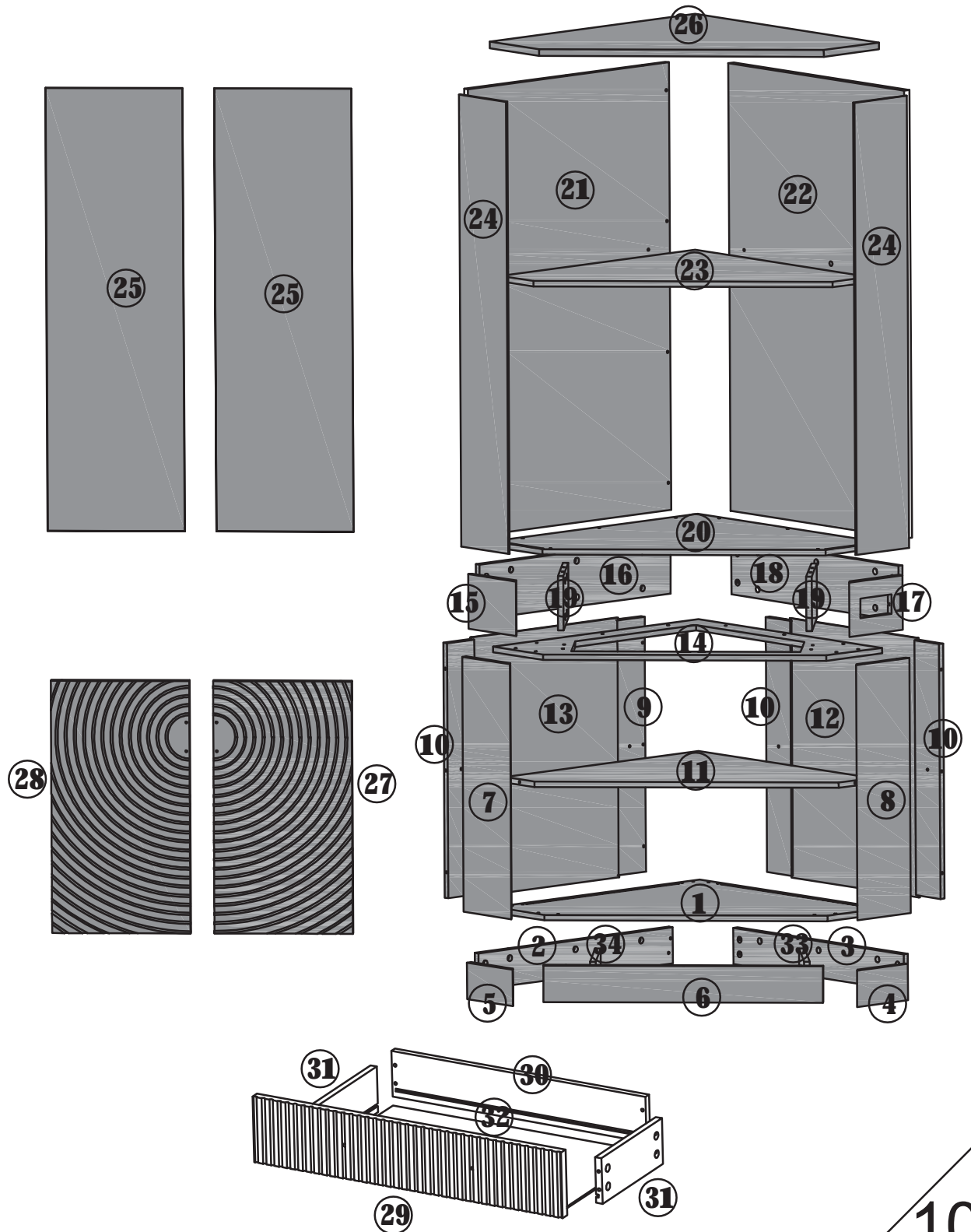


Step 7

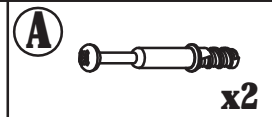
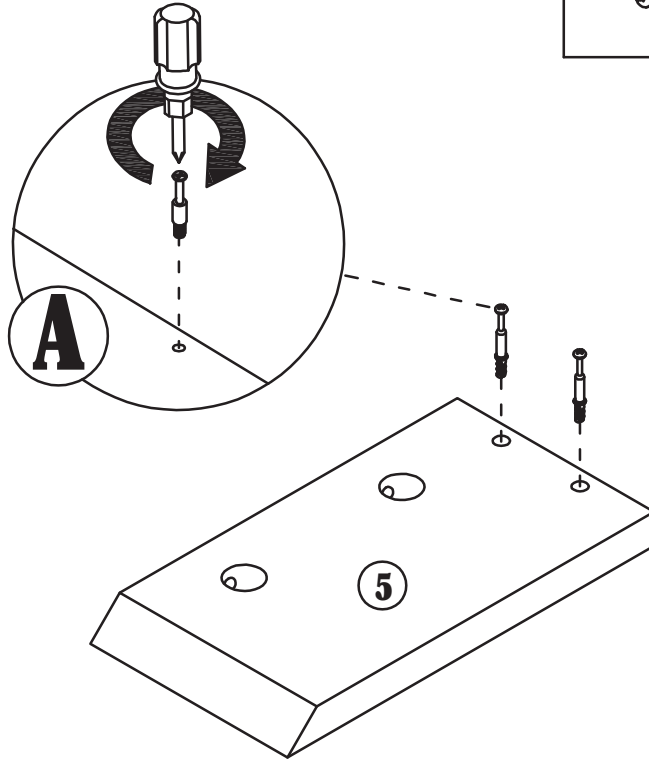
G  x2
 x4



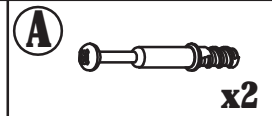
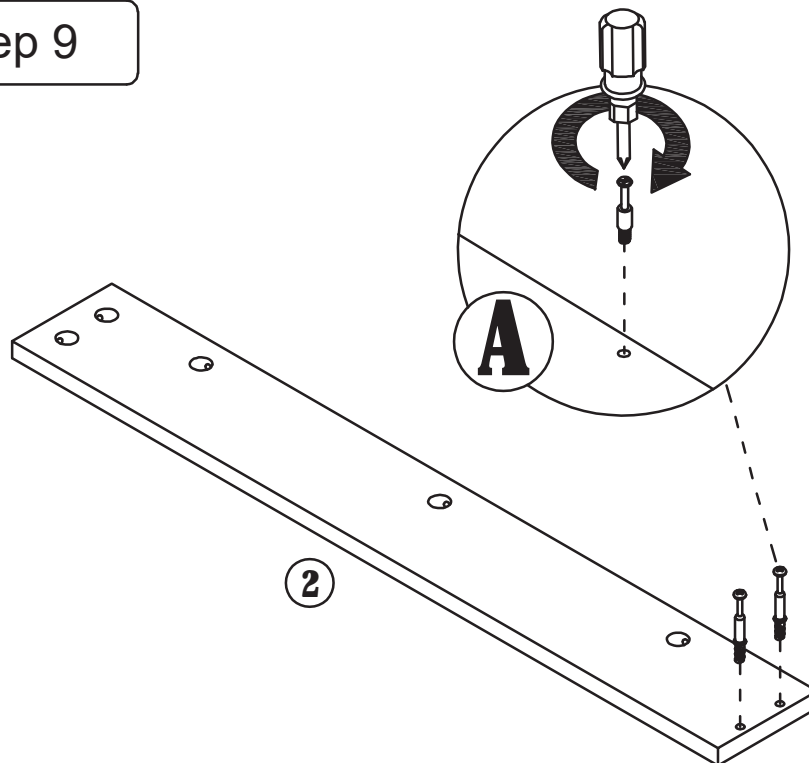
Product structure decomposition



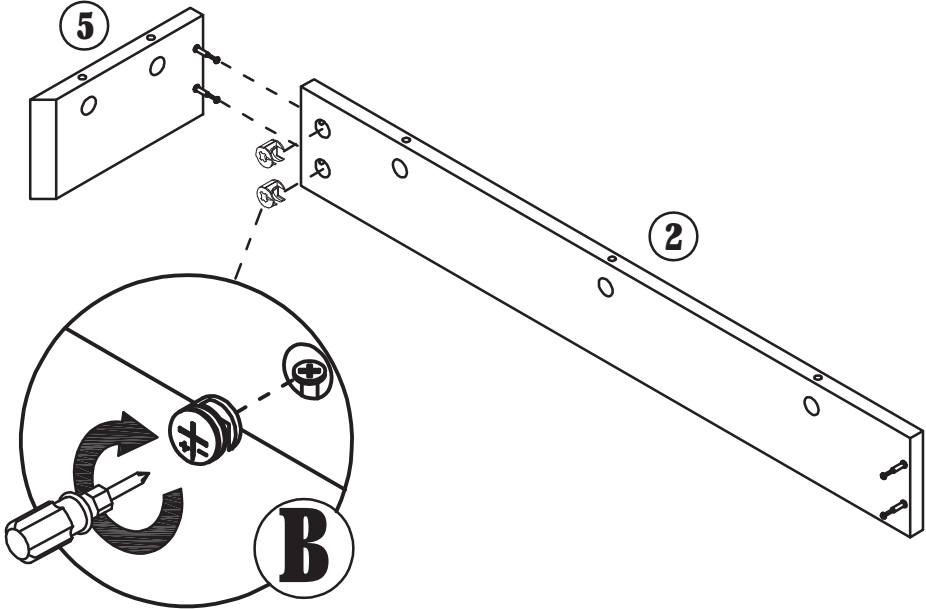
Step 8



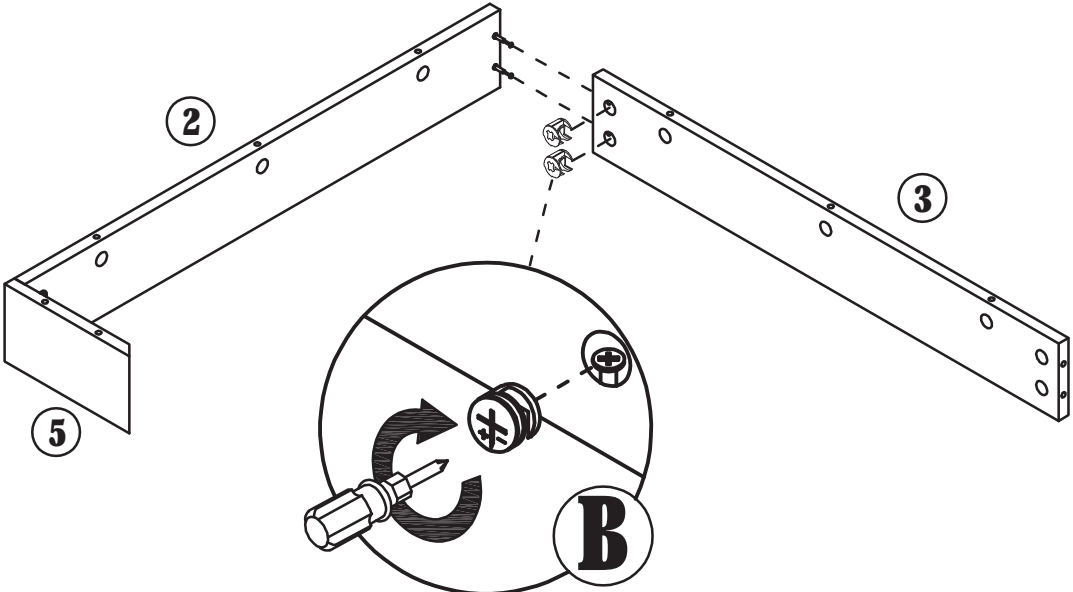
Step 9



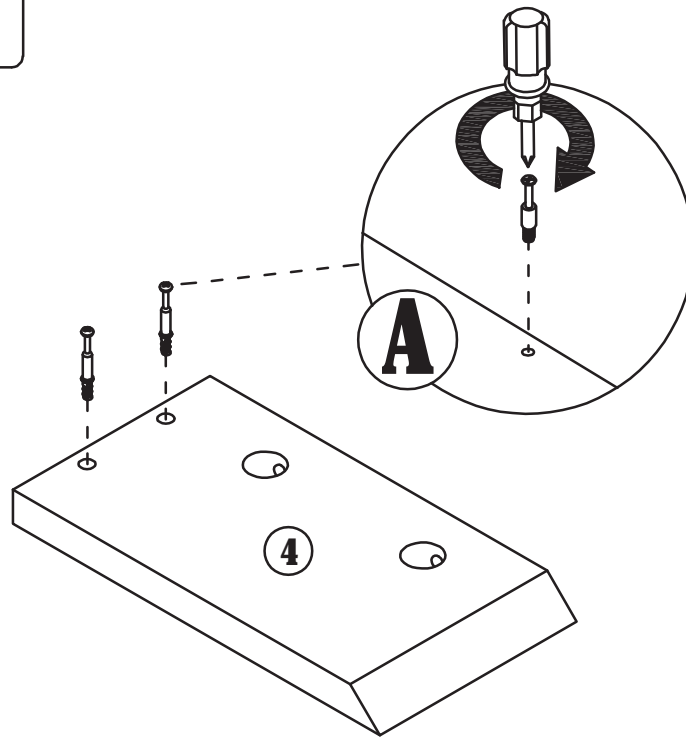
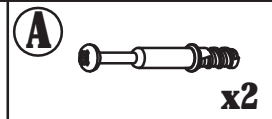
Step 10



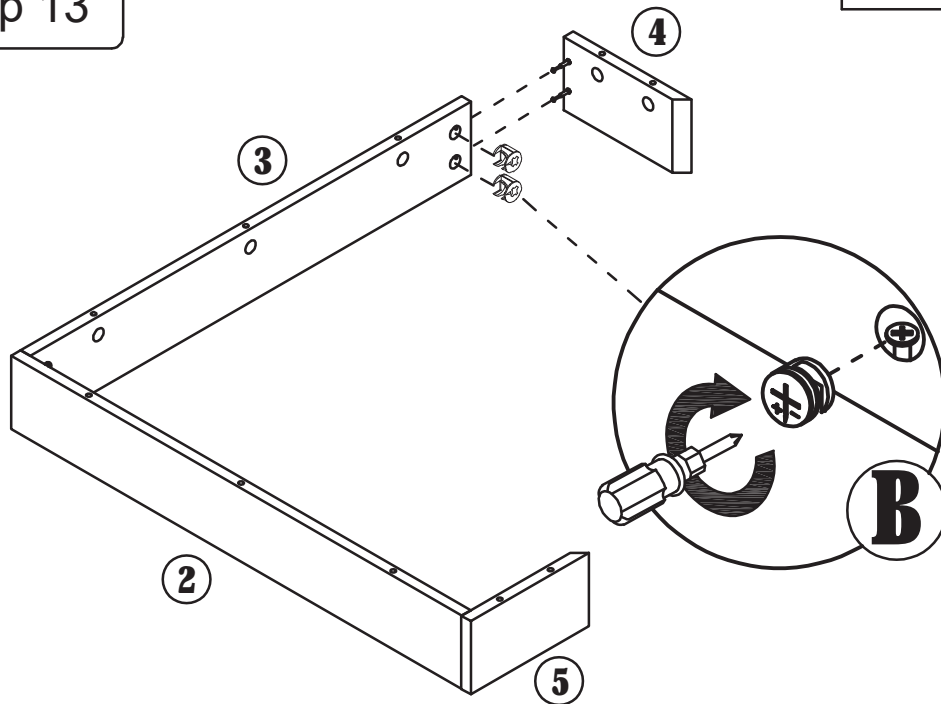
Step 11



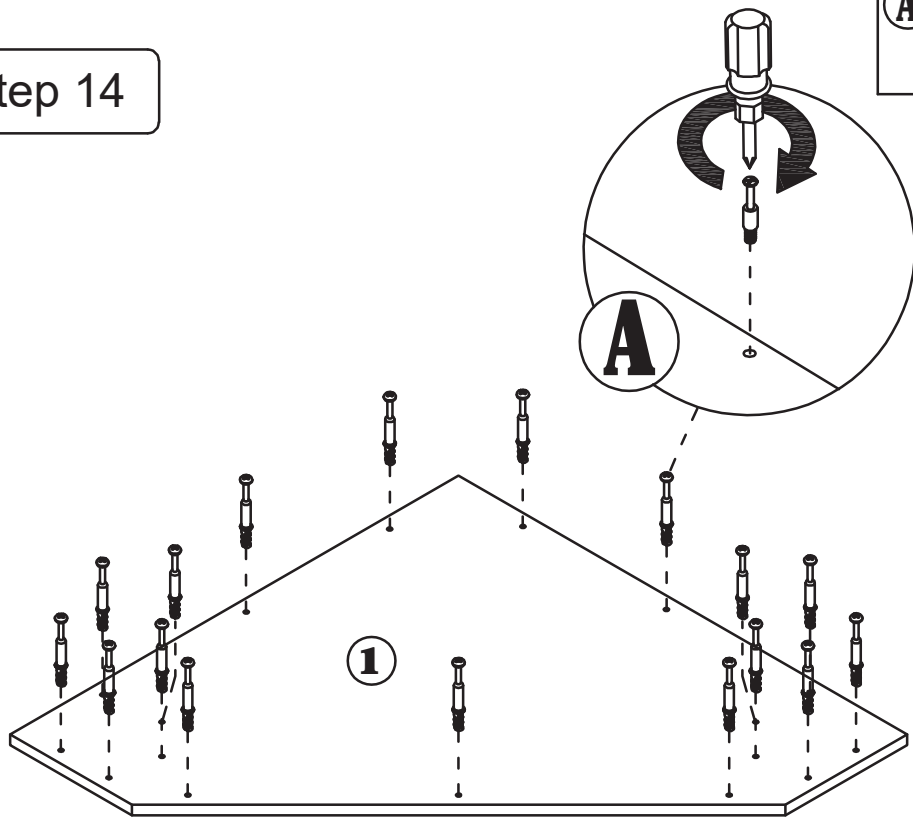
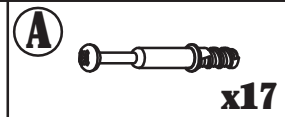
Step 12



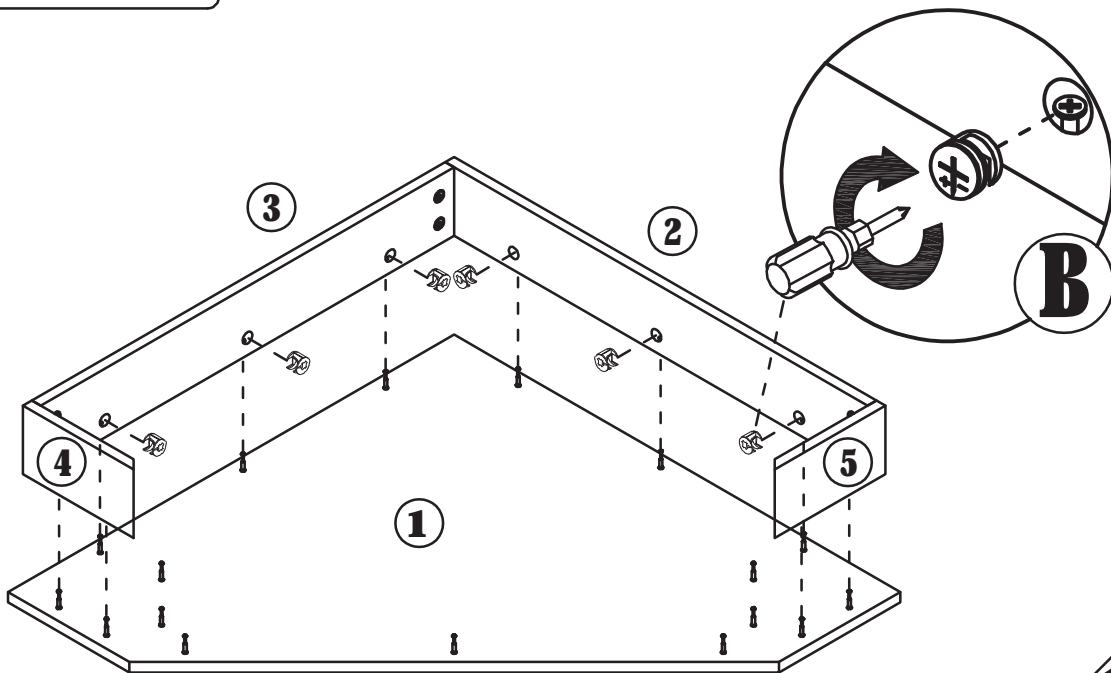
Step 13



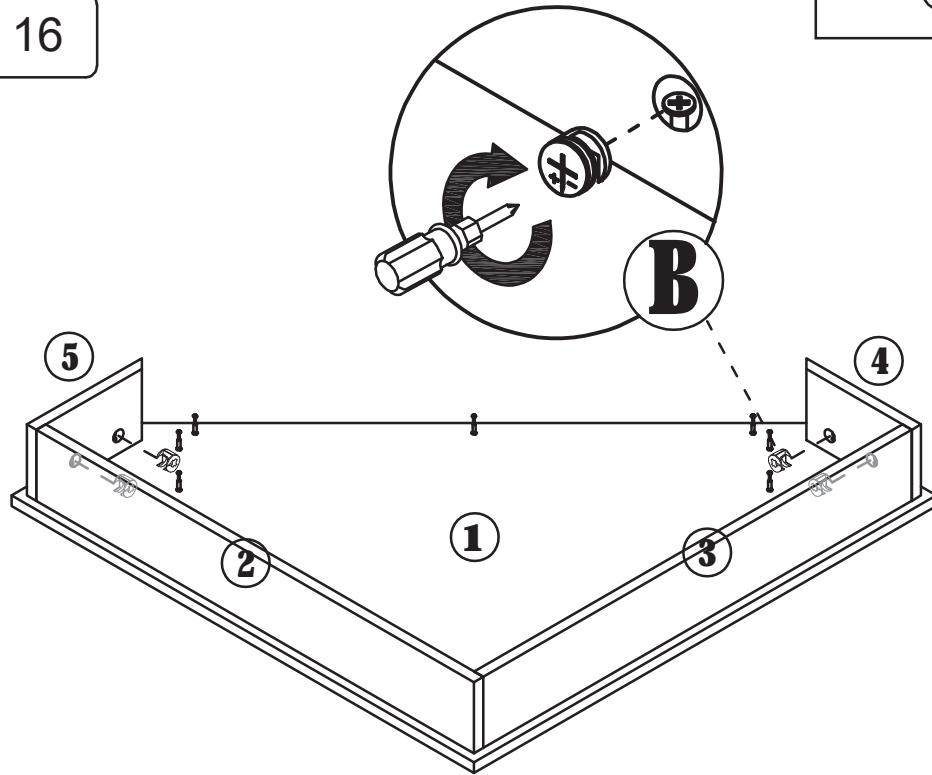
Step 14



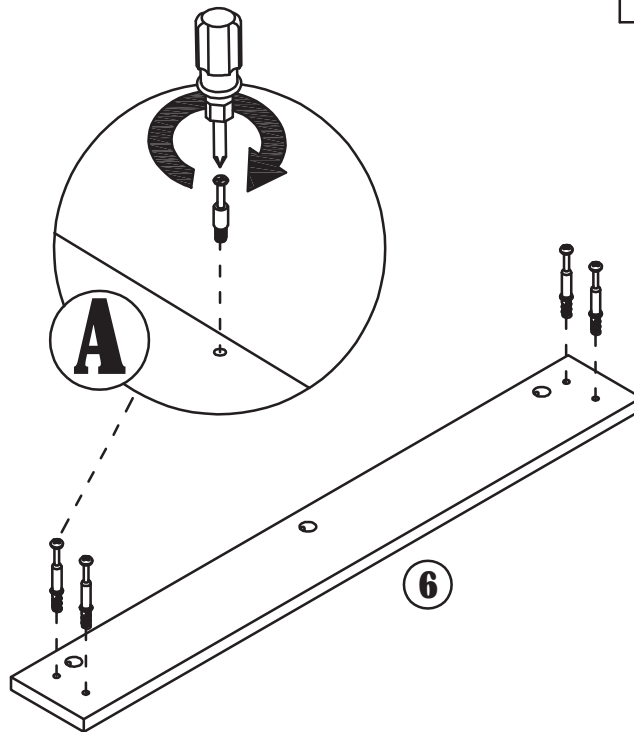
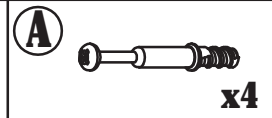
Step 15



Step 16

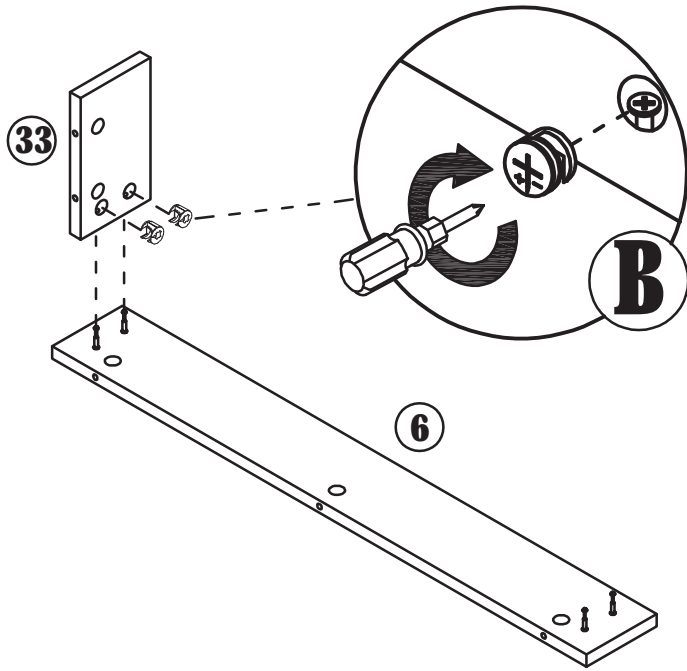


Step 17



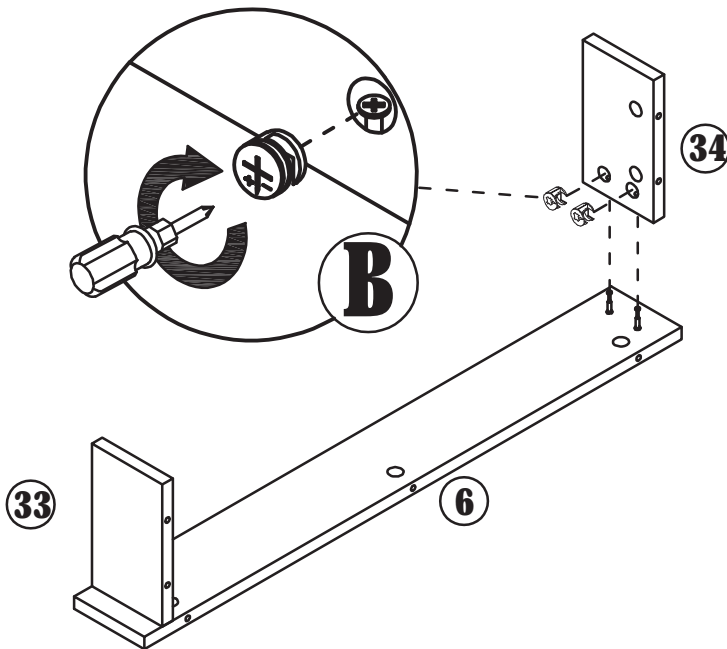
Step 18

B  x2



Step 19

B  x2

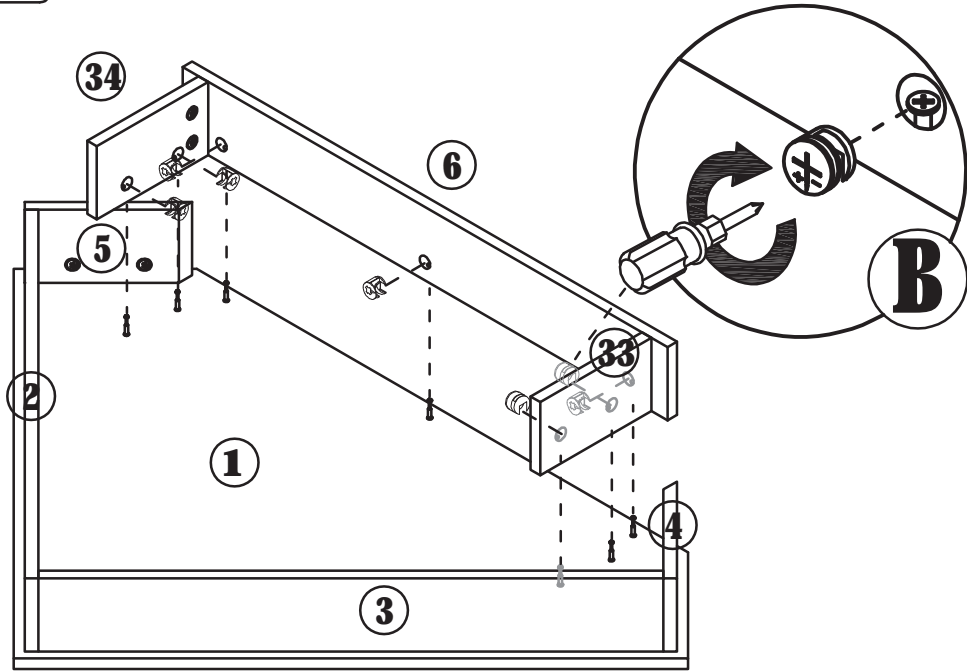


Step 20

B



x7

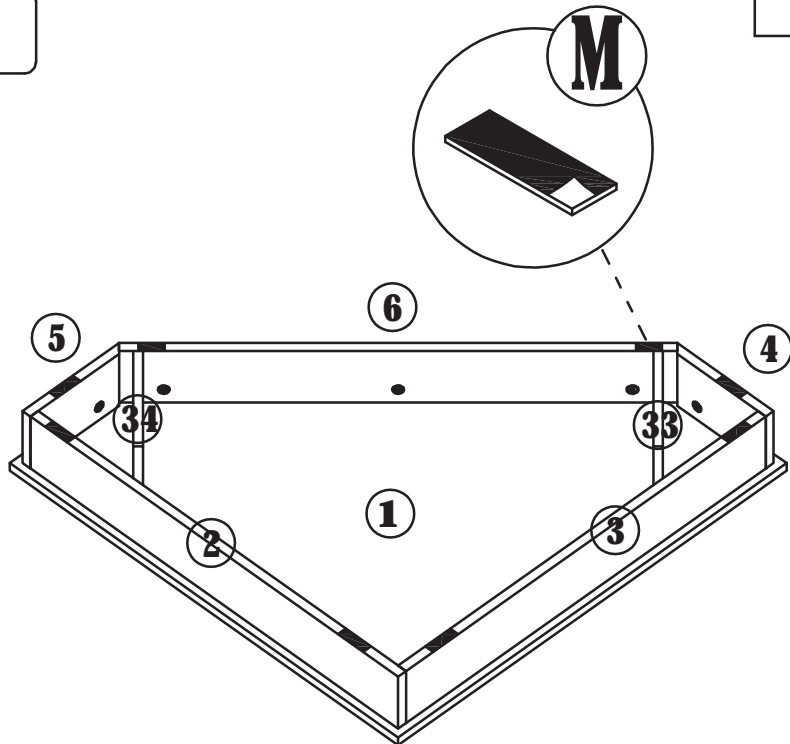


Step 21

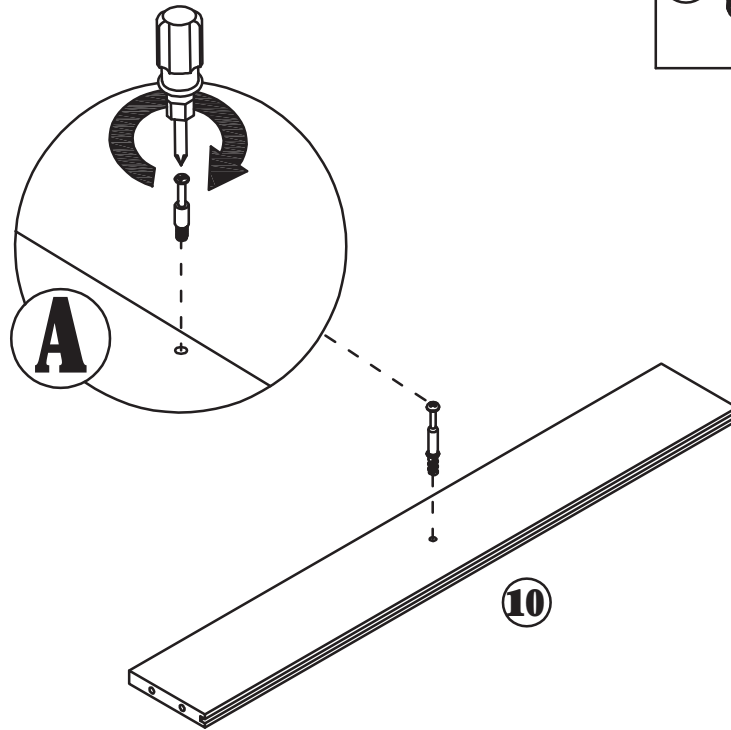
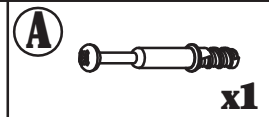
M



x8

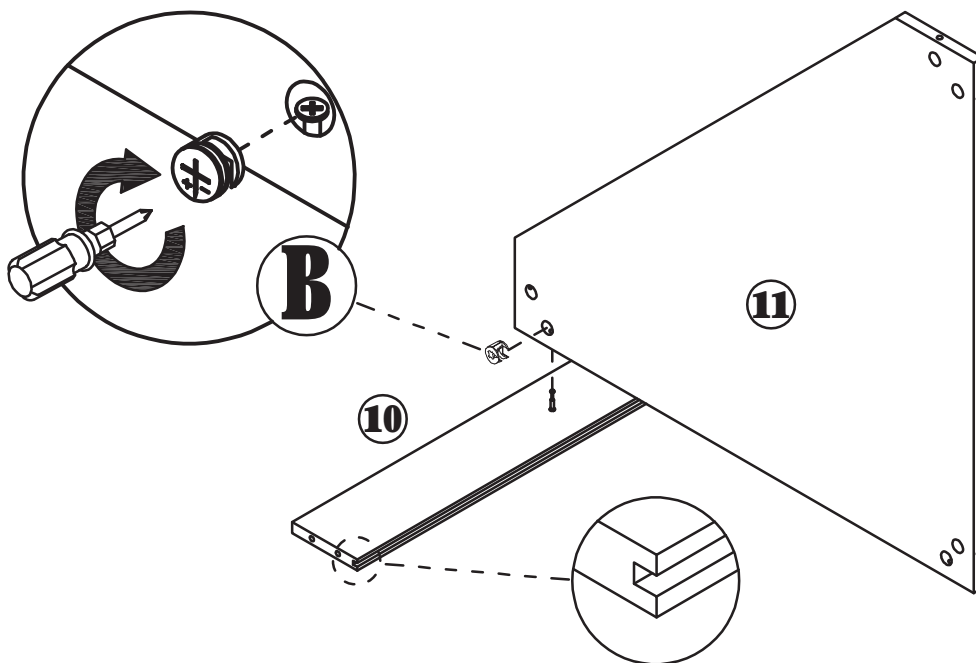


Step 22

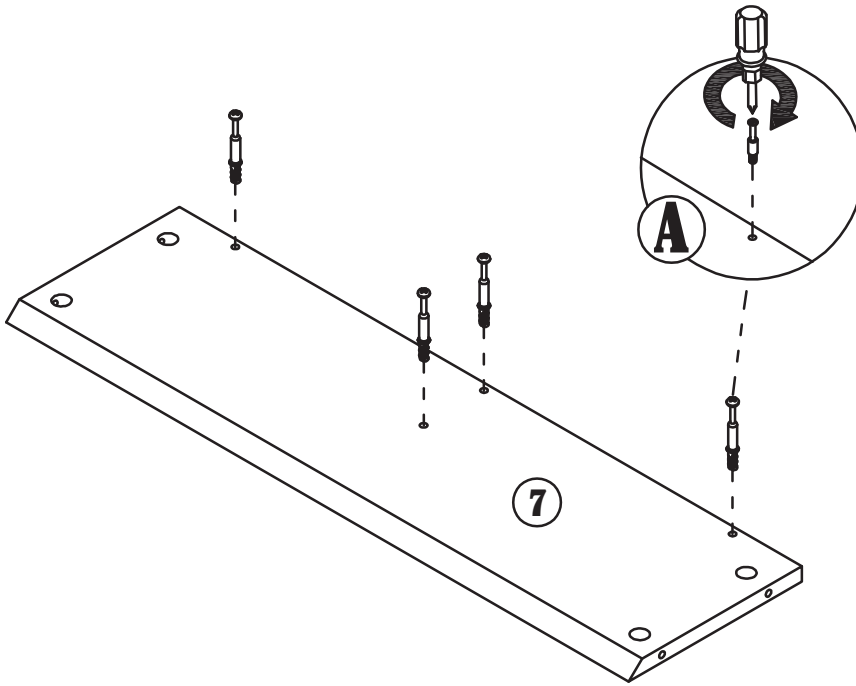
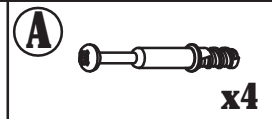


Repeat this step three times

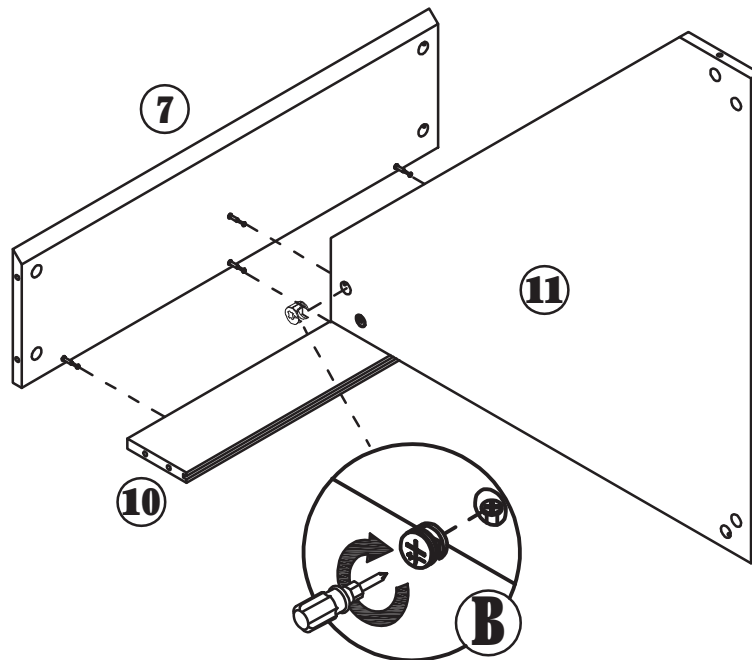
Step 23



Step 24

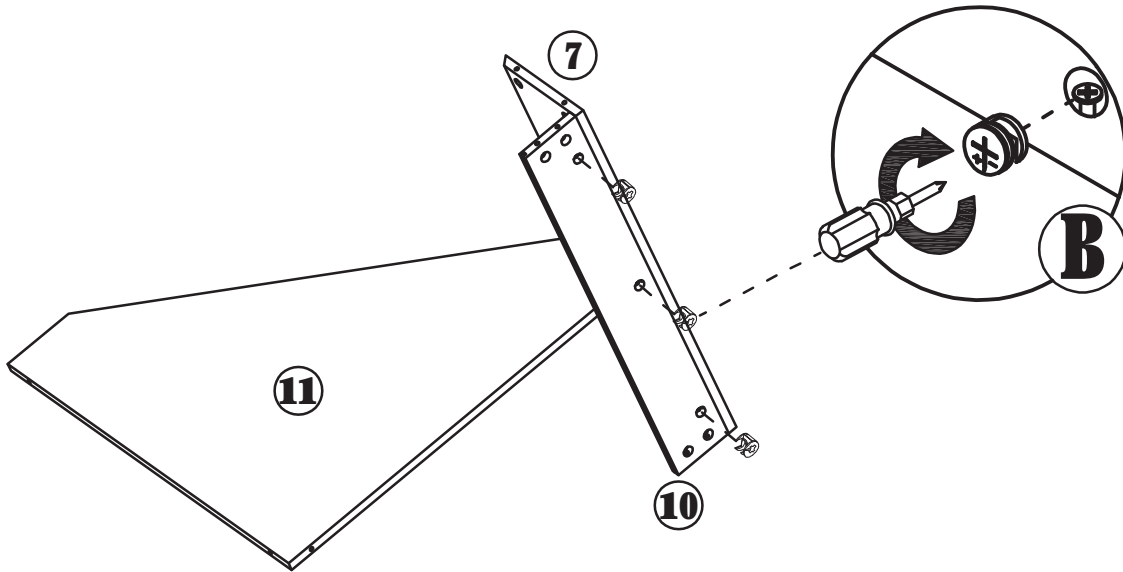


Step 25



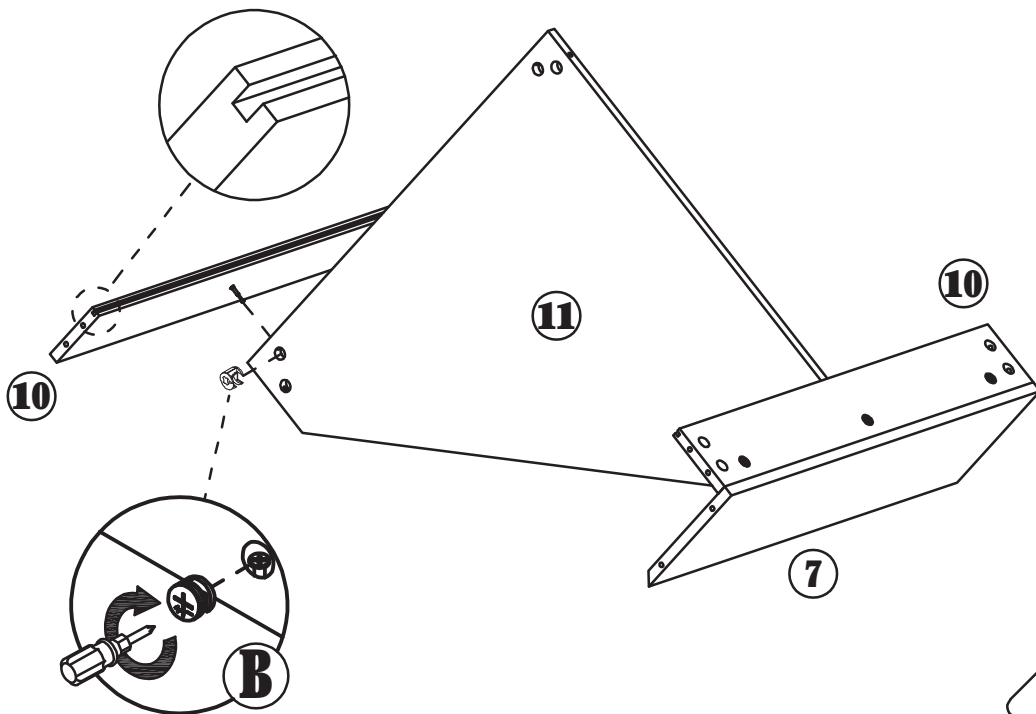
Step 26

B  **x3**

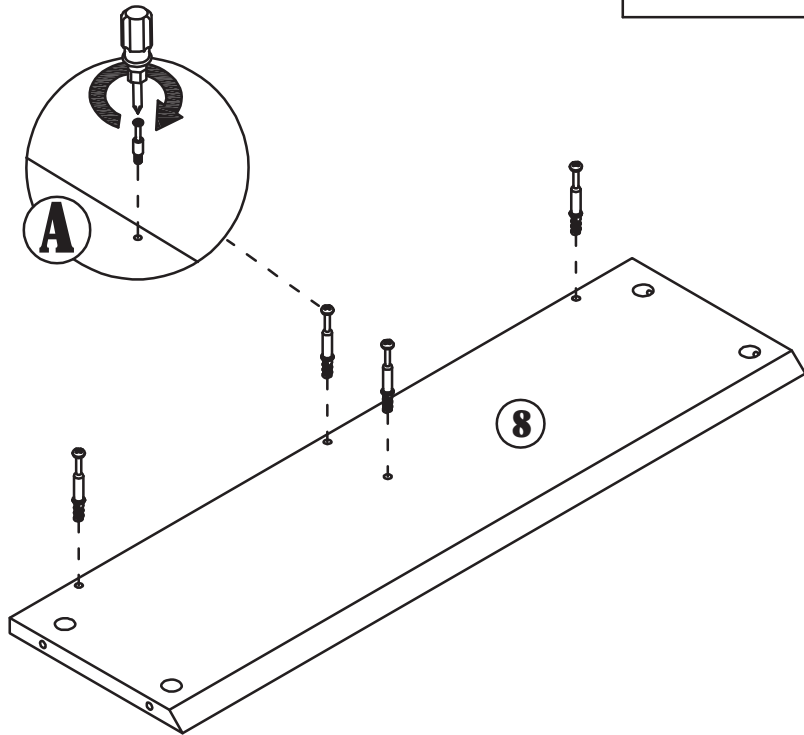
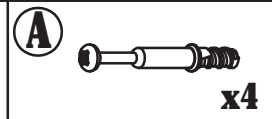


Step 27

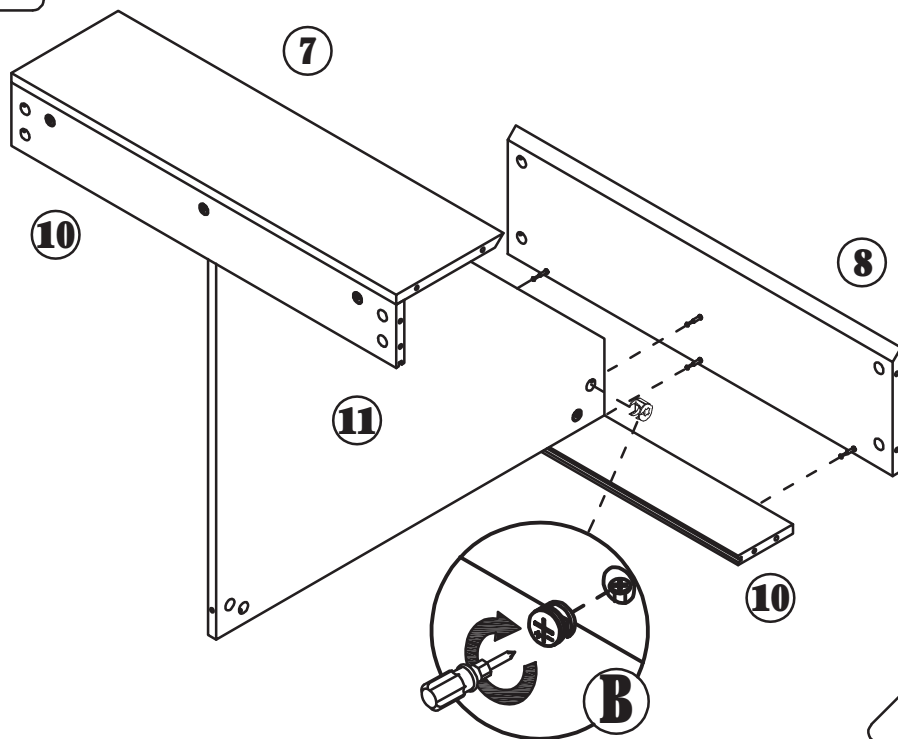
B  **x1**



Step 28



Step 29



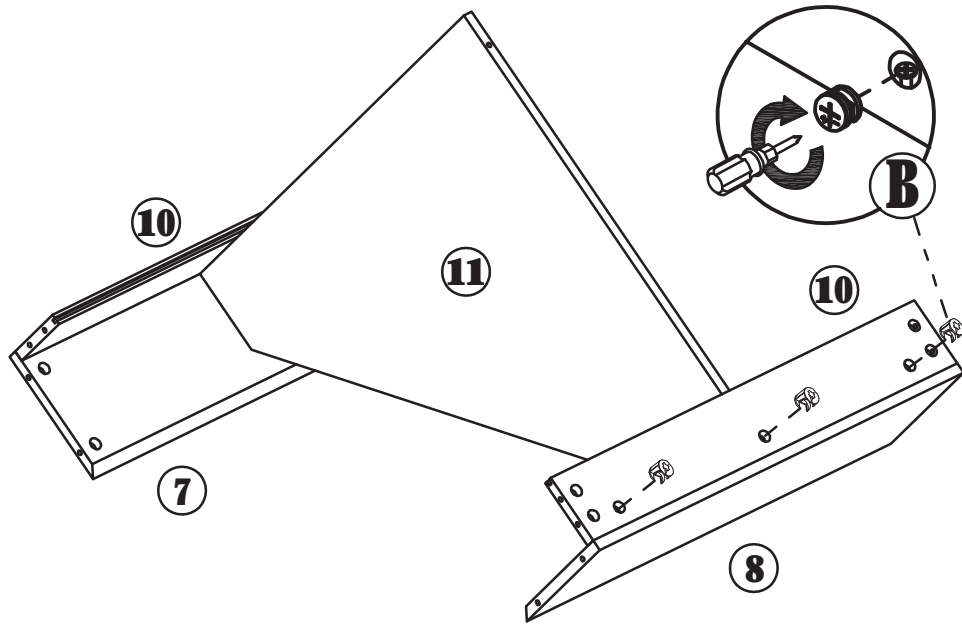
21

Step 30

B



x3

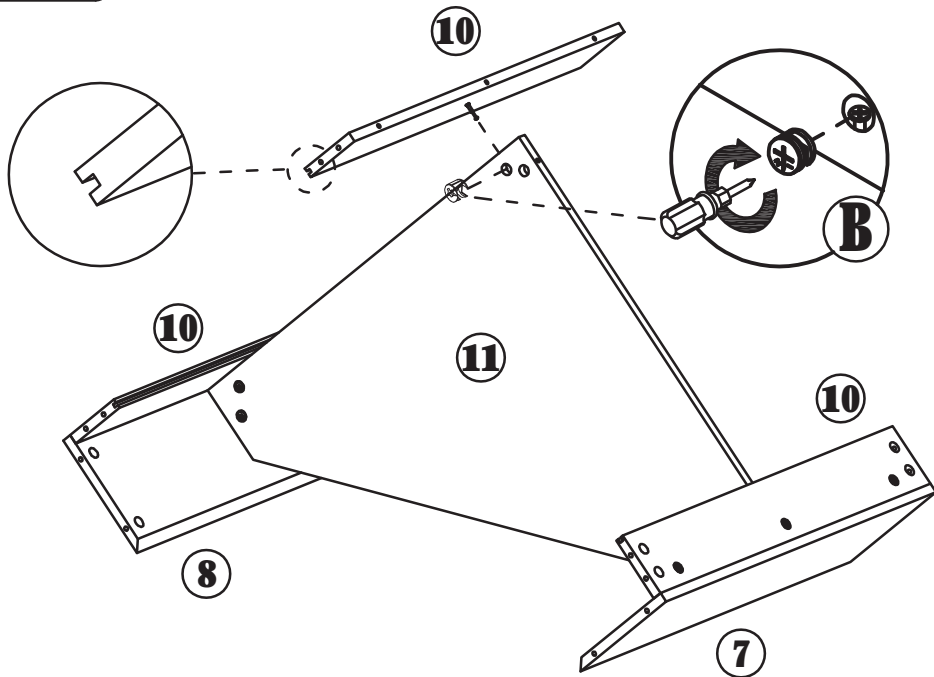


Step 31

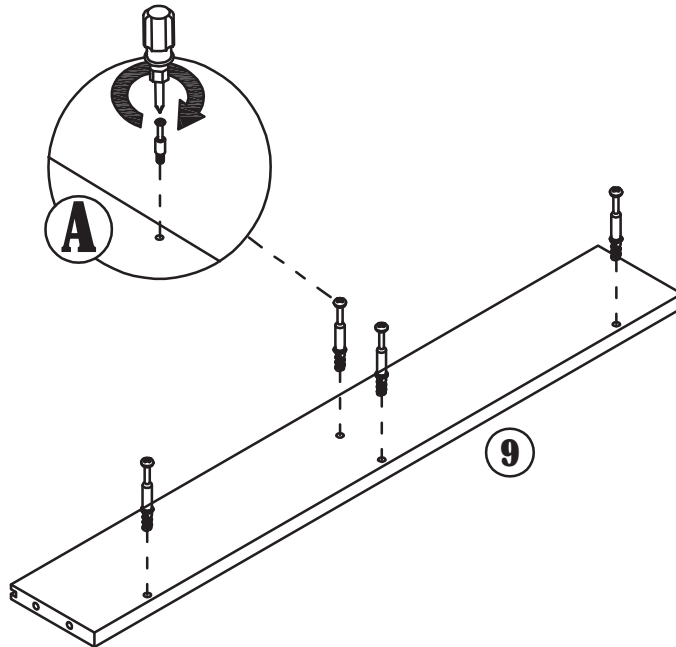
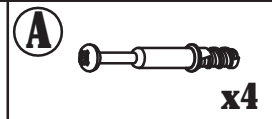
B



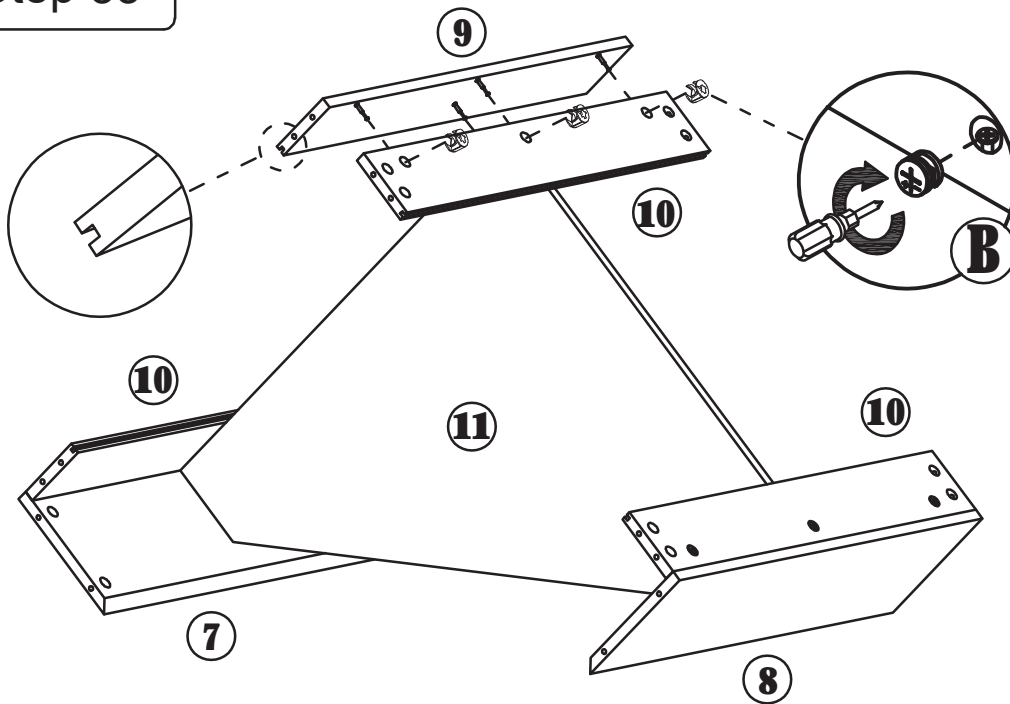
x1



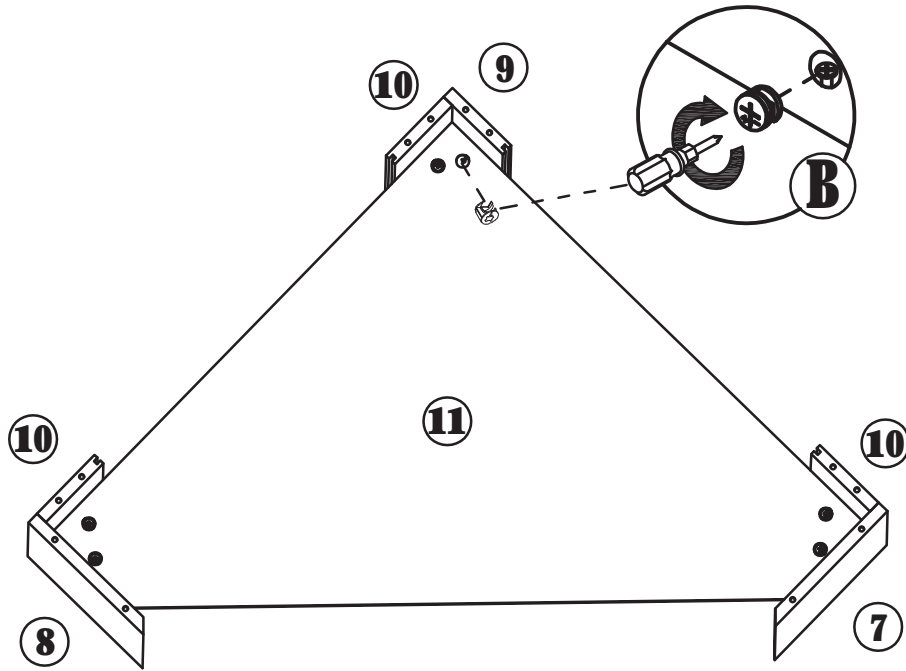
Step 32



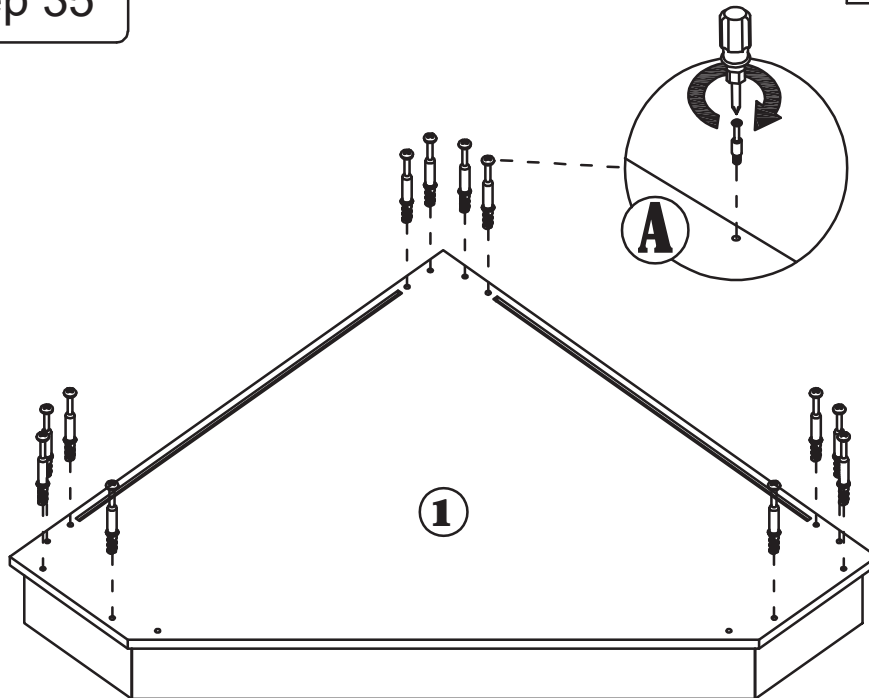
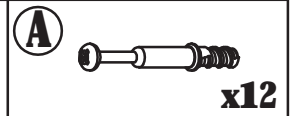
Step 33



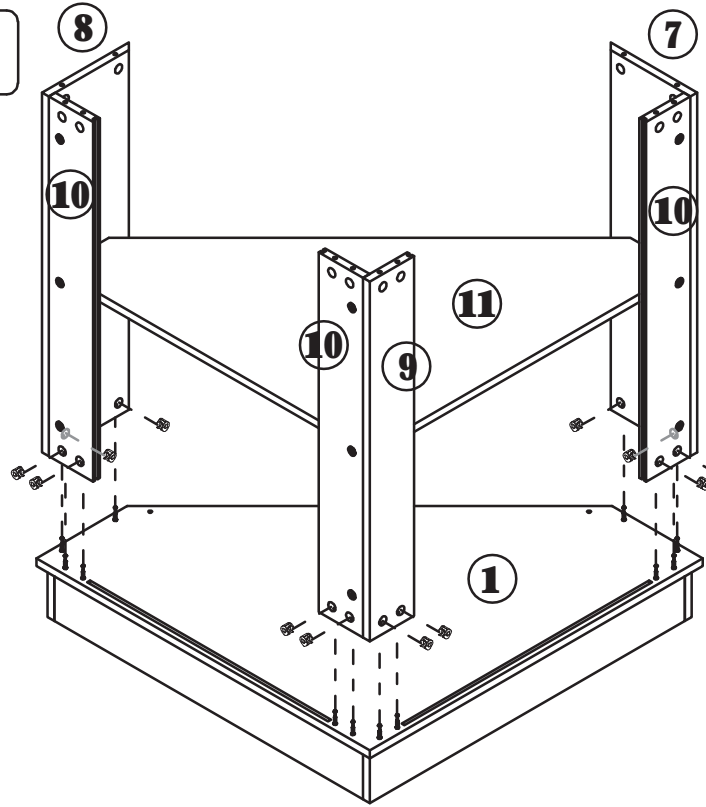
Step 34



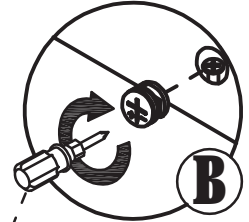
Step 35



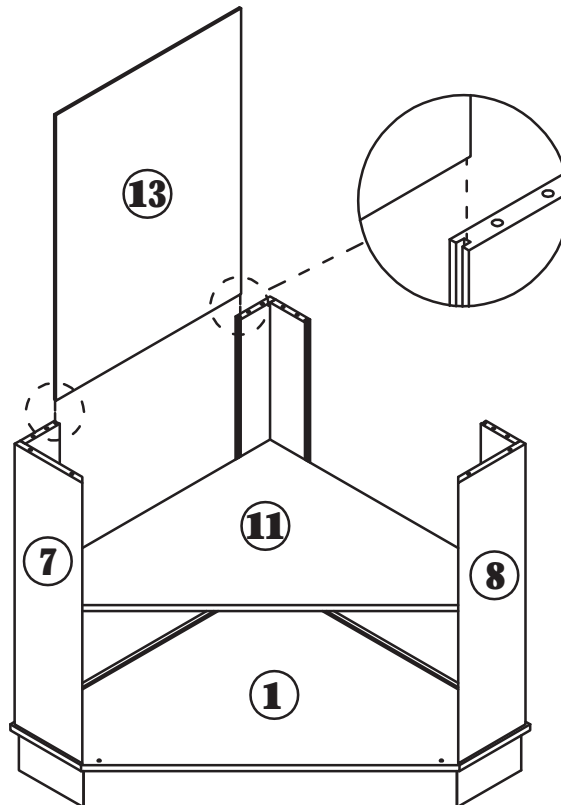
Step 36



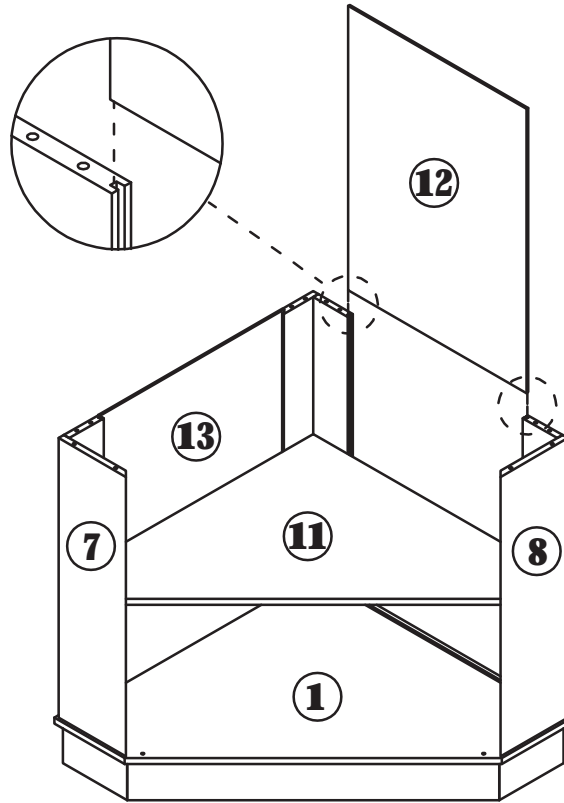
B  x12



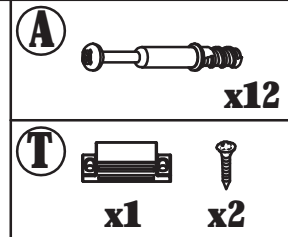
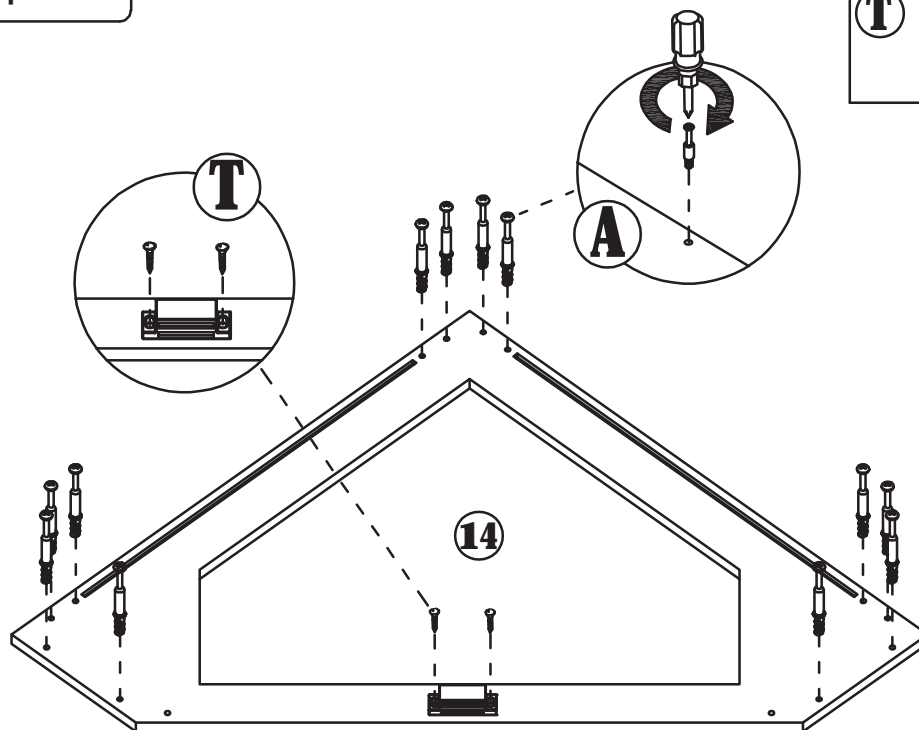
Step 37



Step 38

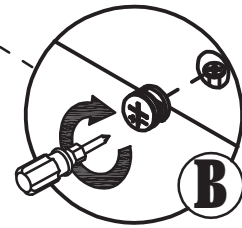
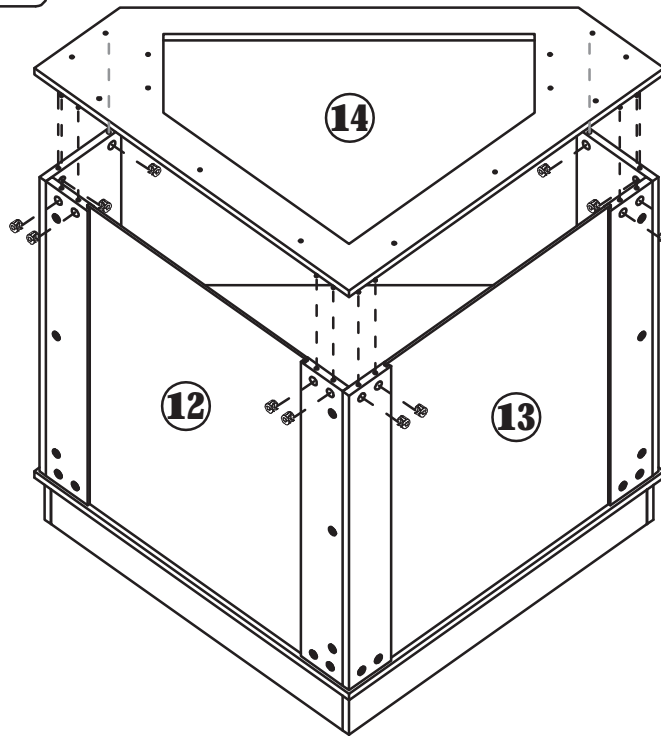


Step 39

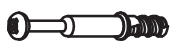


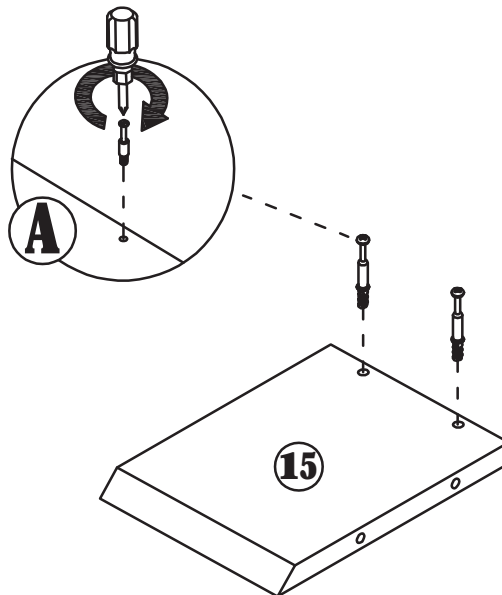
Step 40

B  **x12**

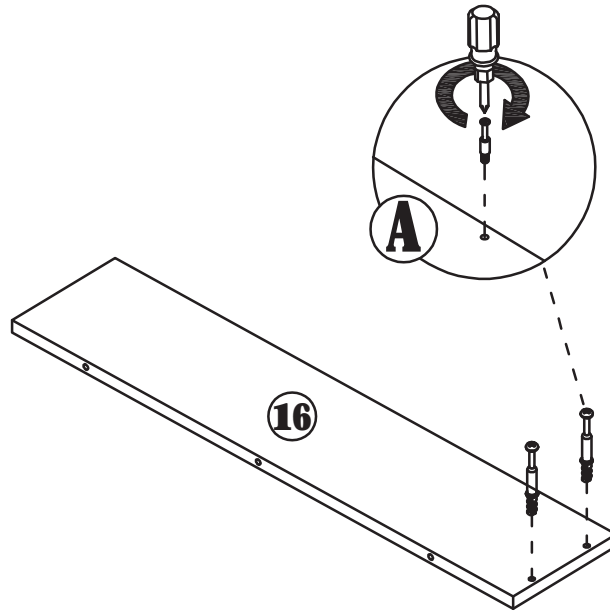
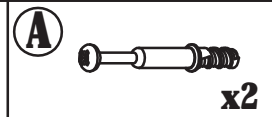


Step 41

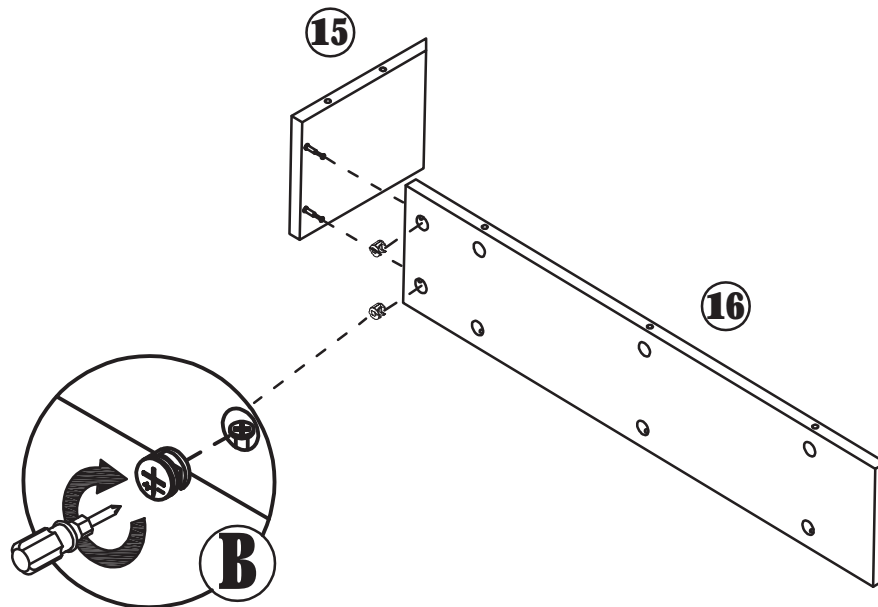
A  **x2**



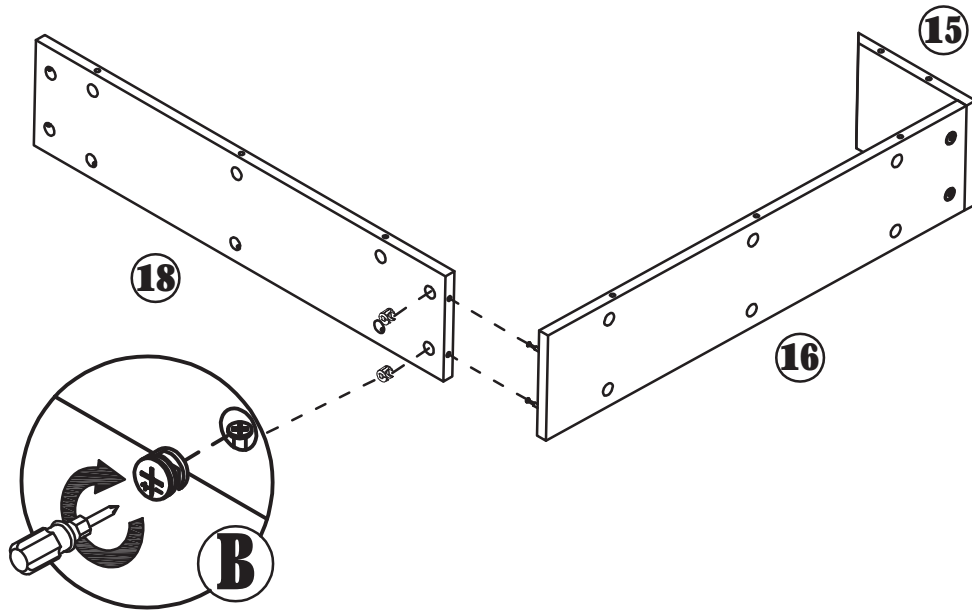
Step 42



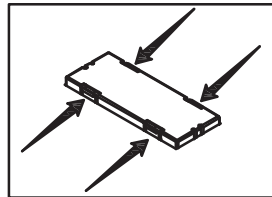
Step 43



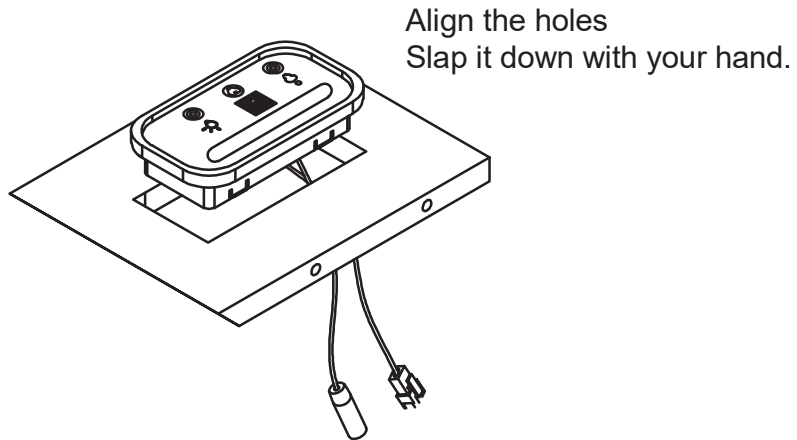
Step 44



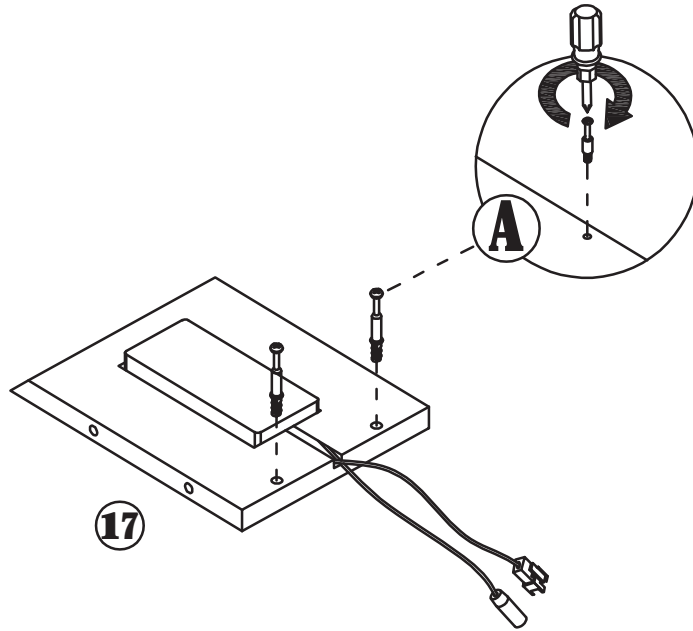
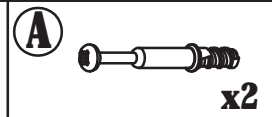
Step 45



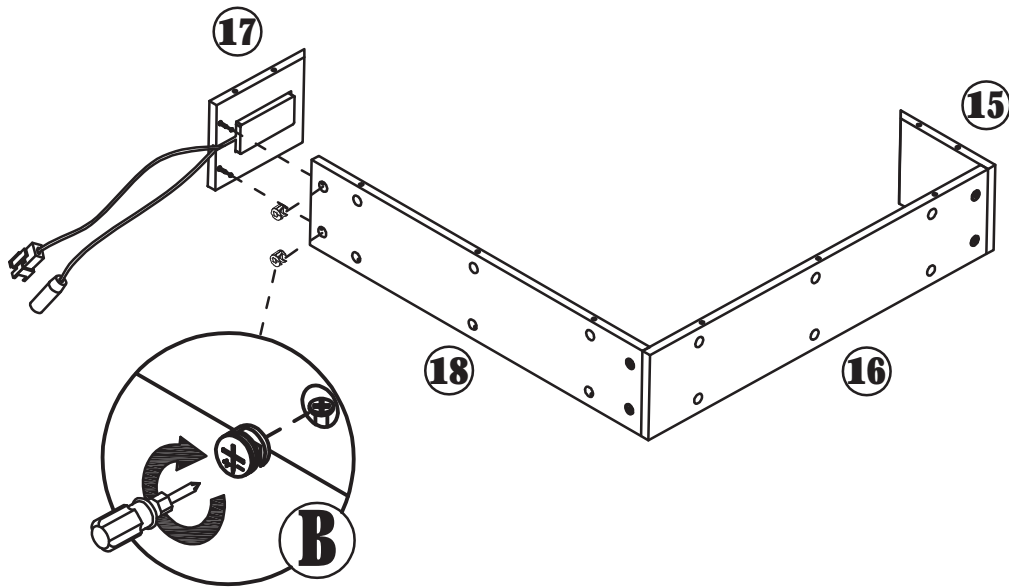
87018 A23 Four on the back of the box protruding part Press together The box will separate from the board



Step 46

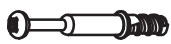



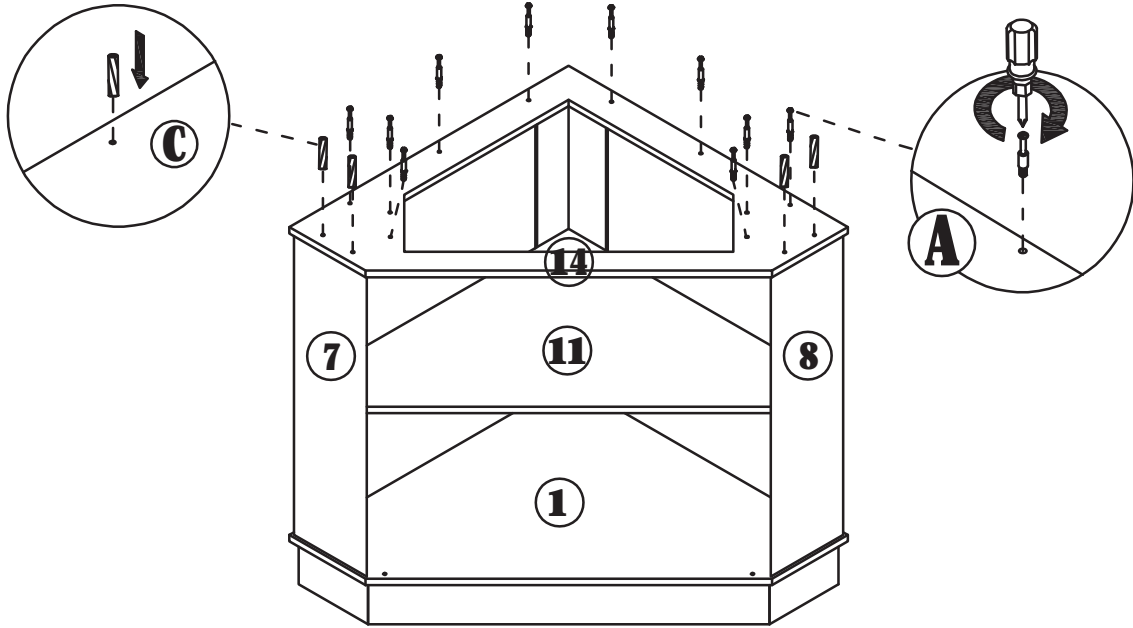
Step 47



30

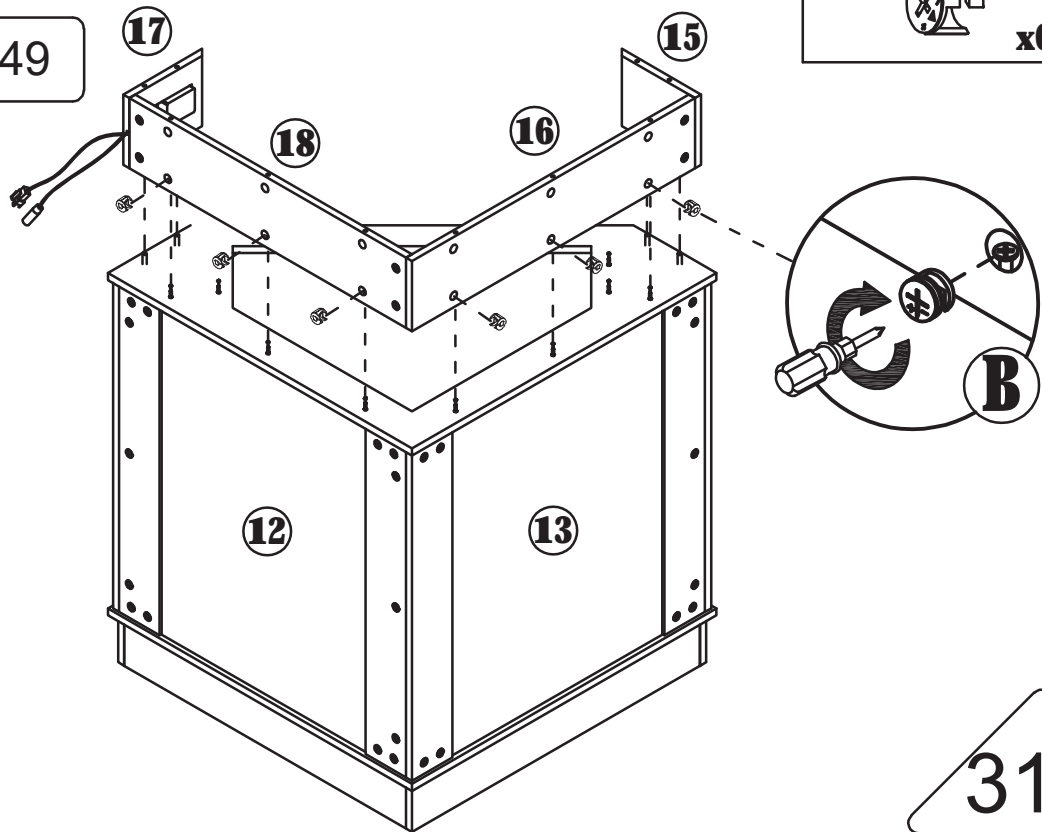
Step 48

- A**  x10
- C**  x4

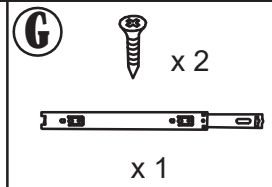
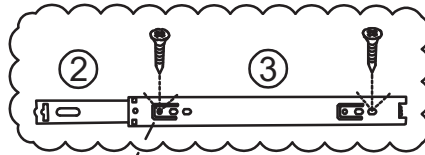


Step 49

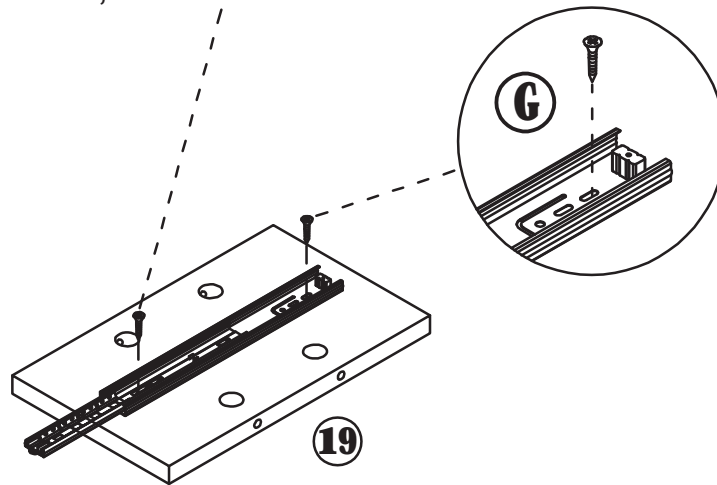
- B**  x6



Step 50

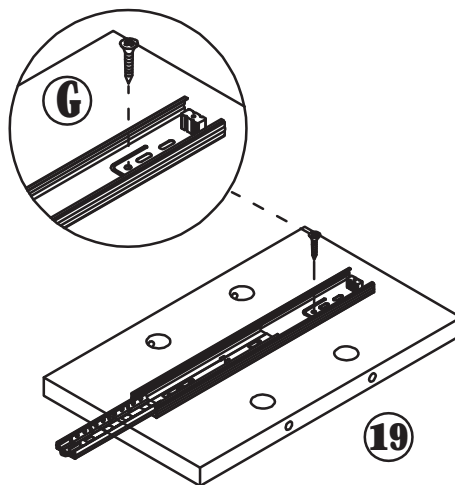
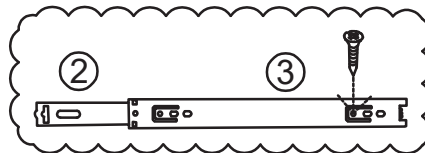


First, install this screw.



This step is repeated twice

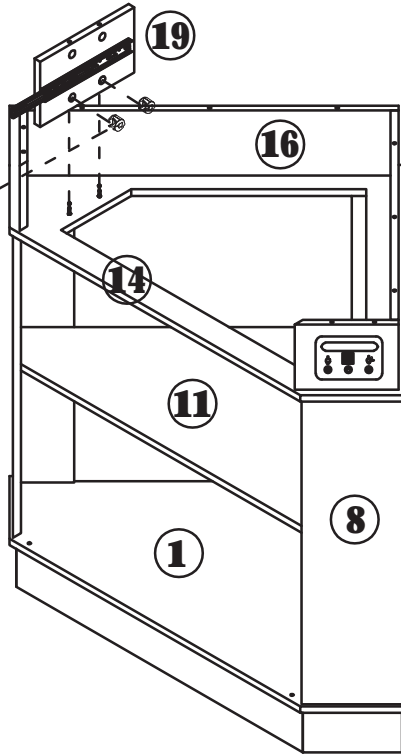
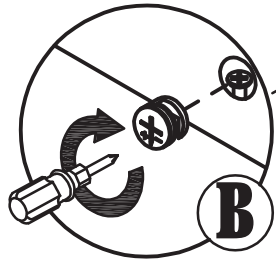
Step 51



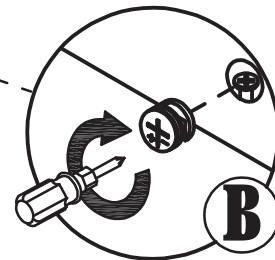
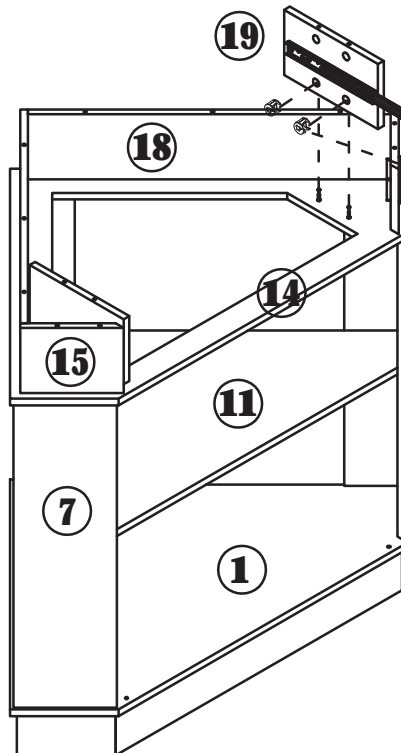
This step is repeated twice

This hole is for strengthening fixed hole
customers can choose to install according to their needs.

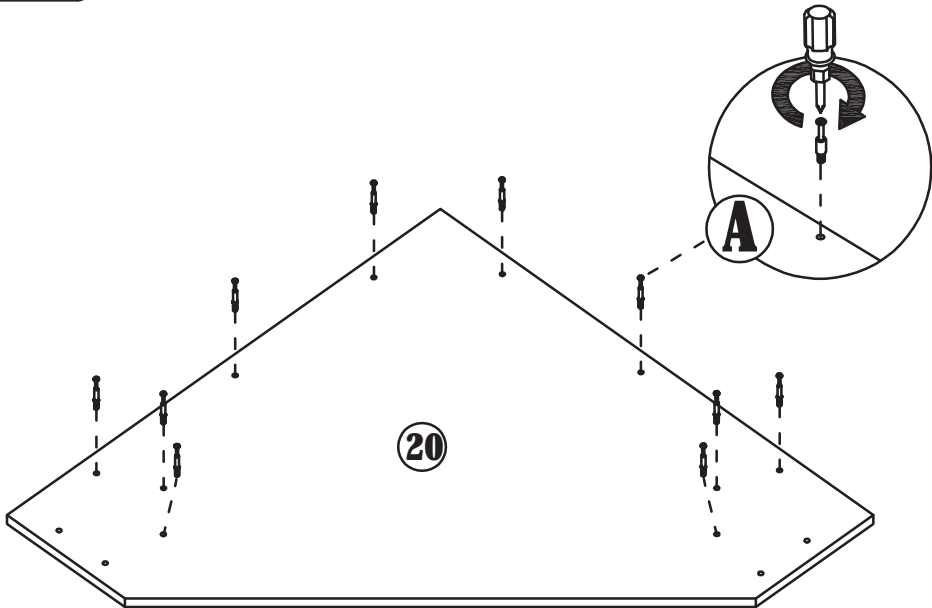
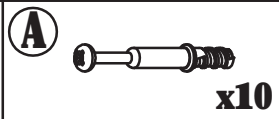
Step 52



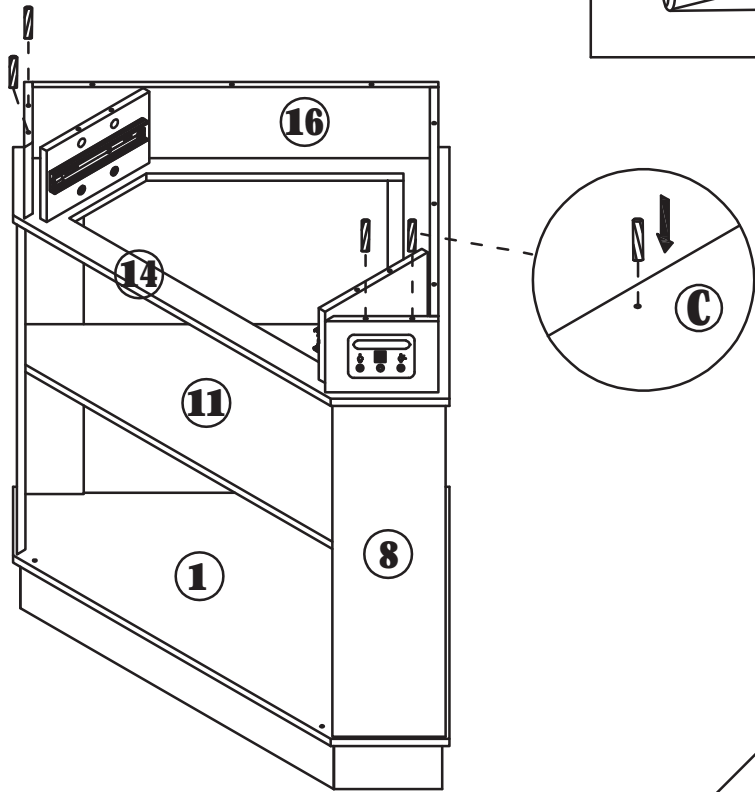
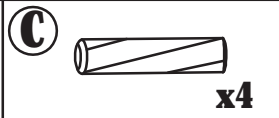
Step 53



Step 54

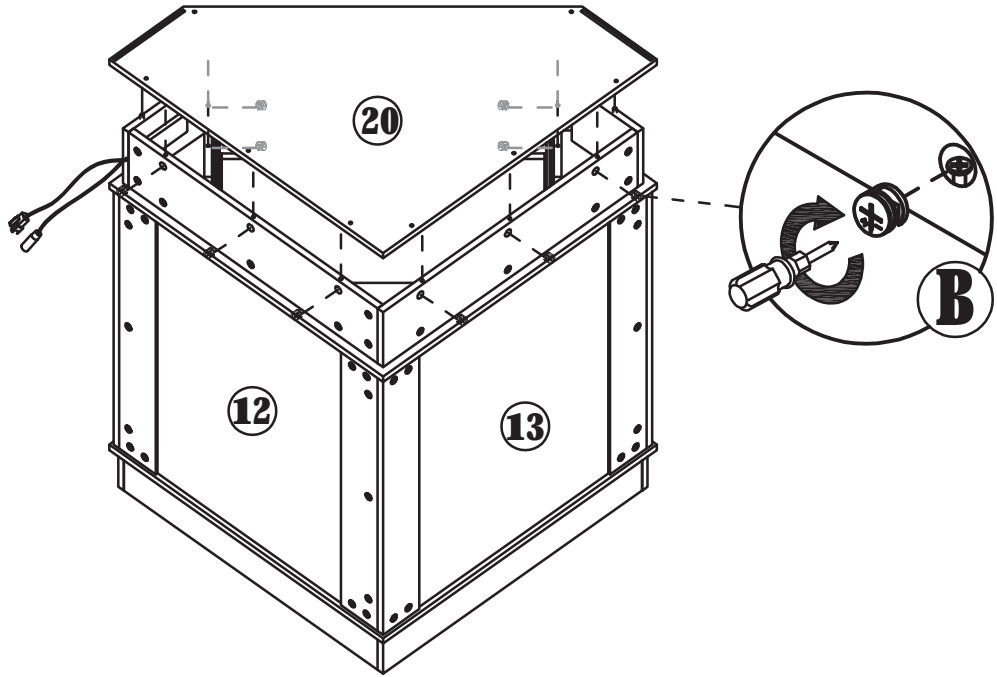


Step 55

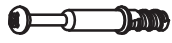


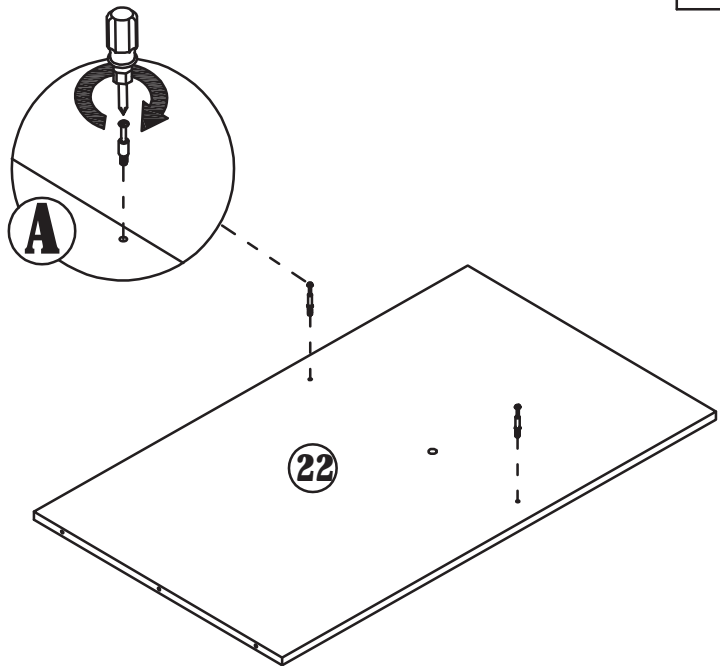
Step 56

B  **x10**



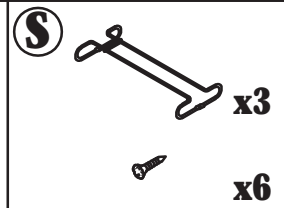
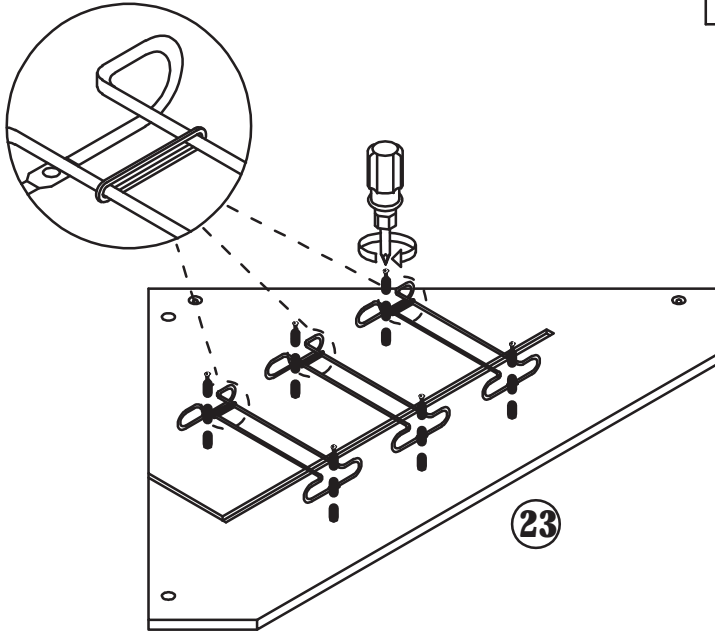
Step 57

A  **x2**

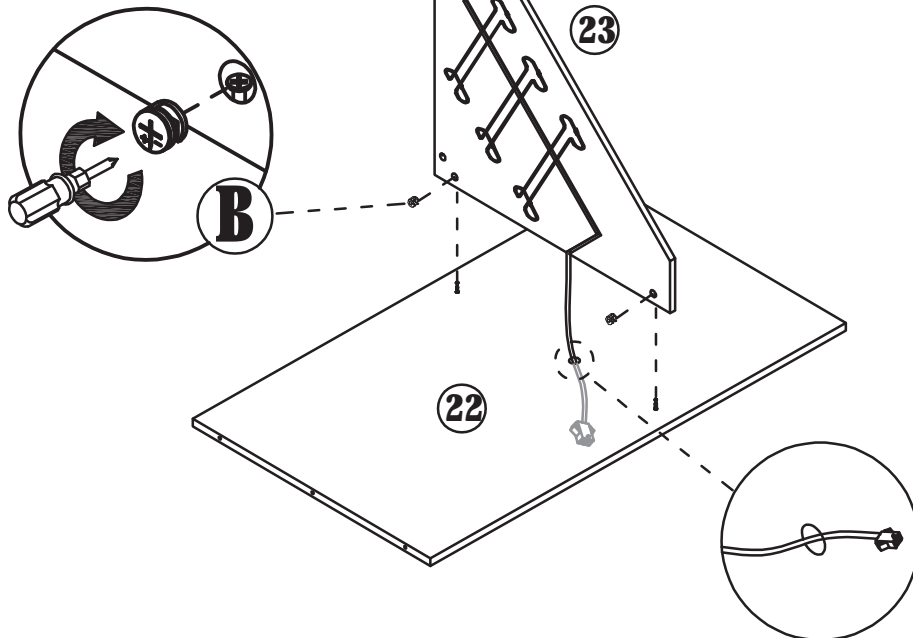


Step 58

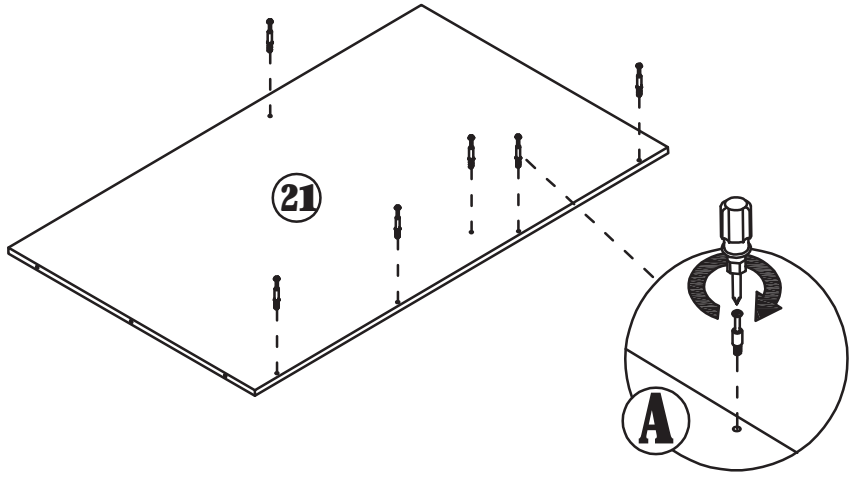
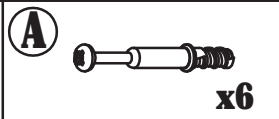
The side with the rubber ring should be at the back.



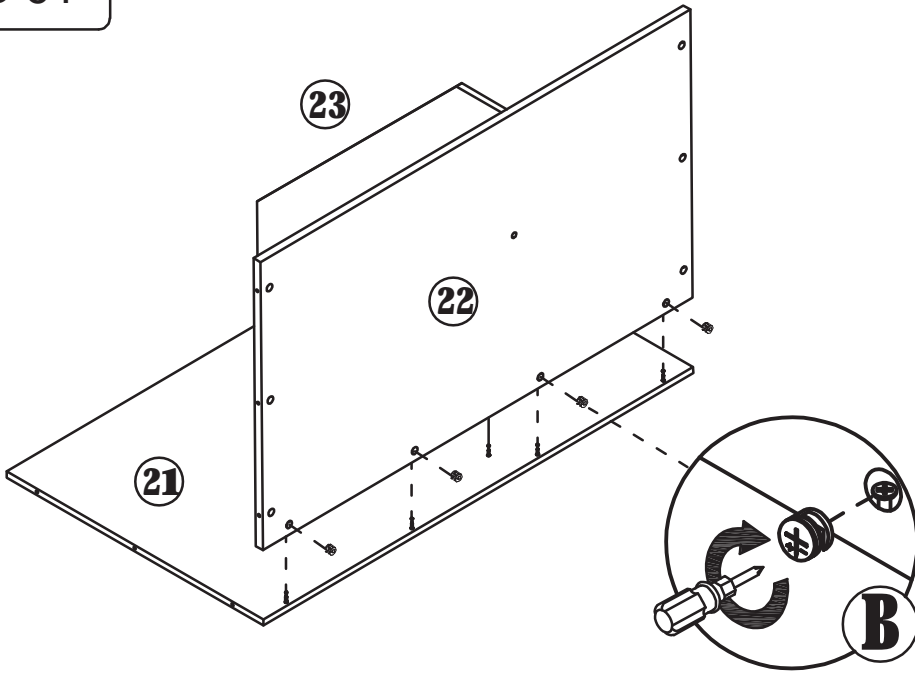
Step 59



Step 60

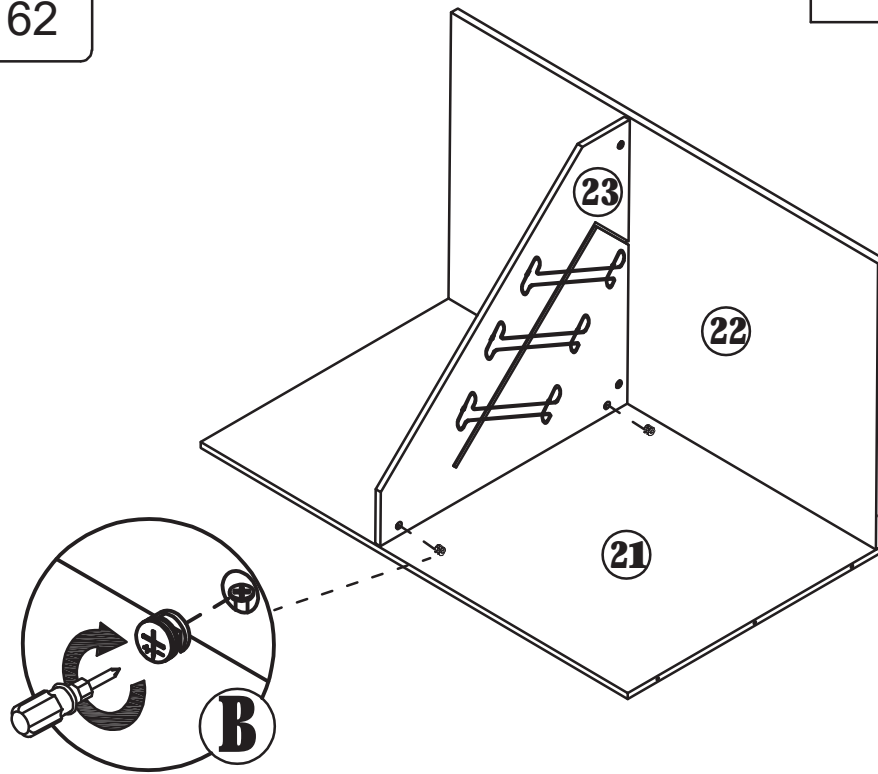


Step 61

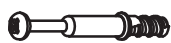


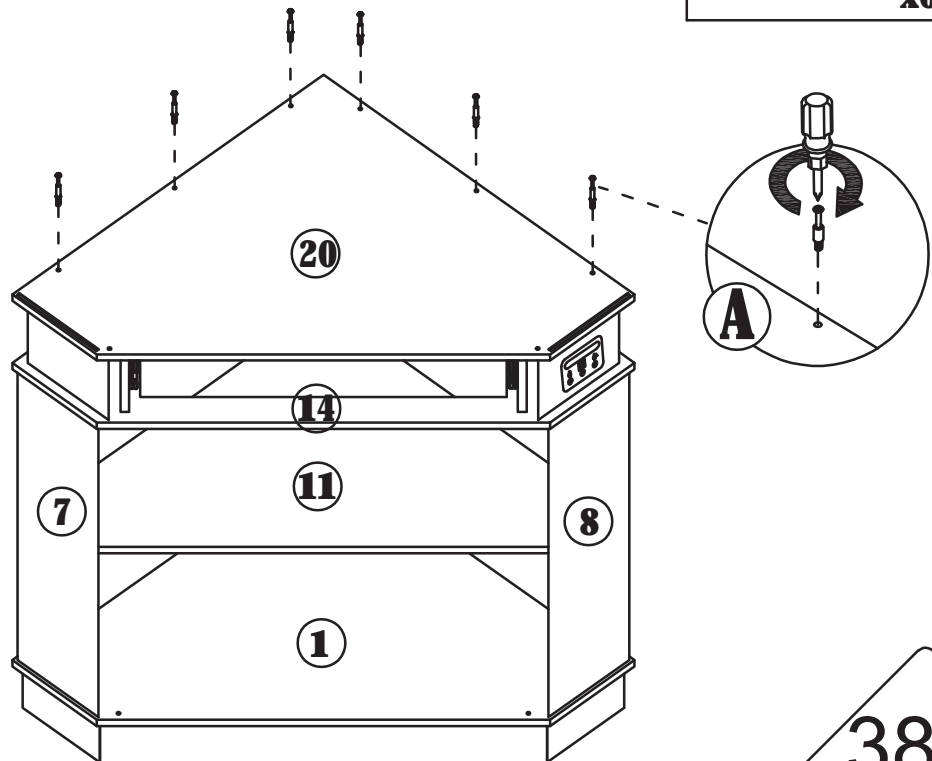
Step 62

B  **x2**



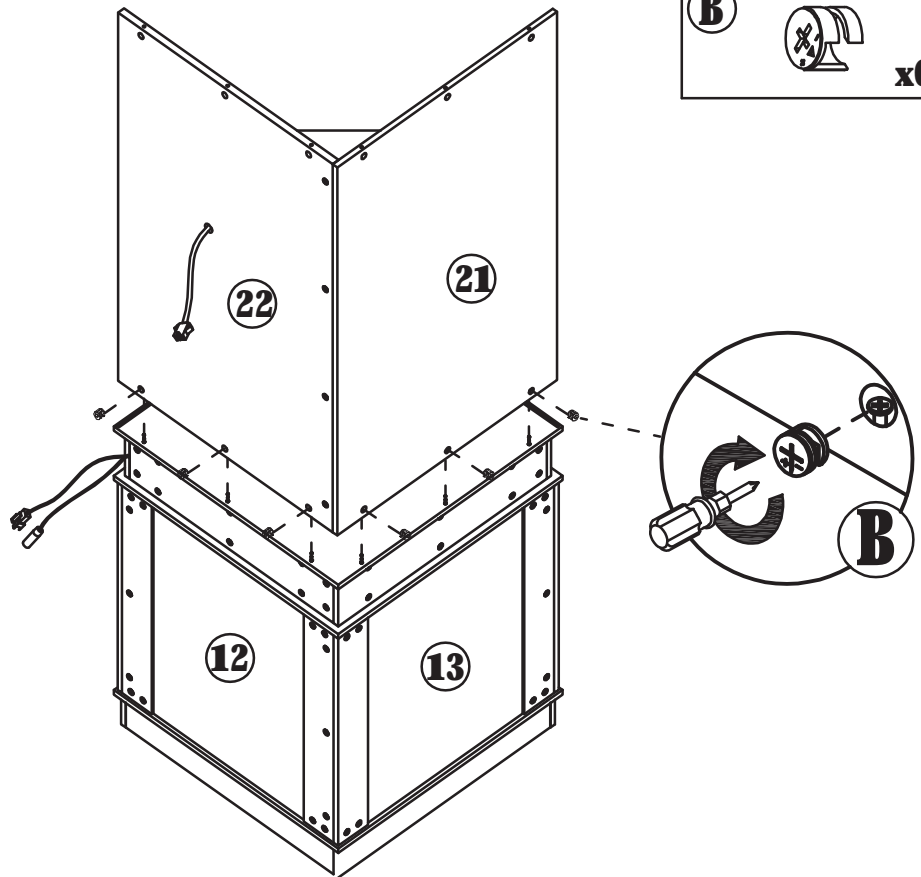
Step 63

A  **x6**

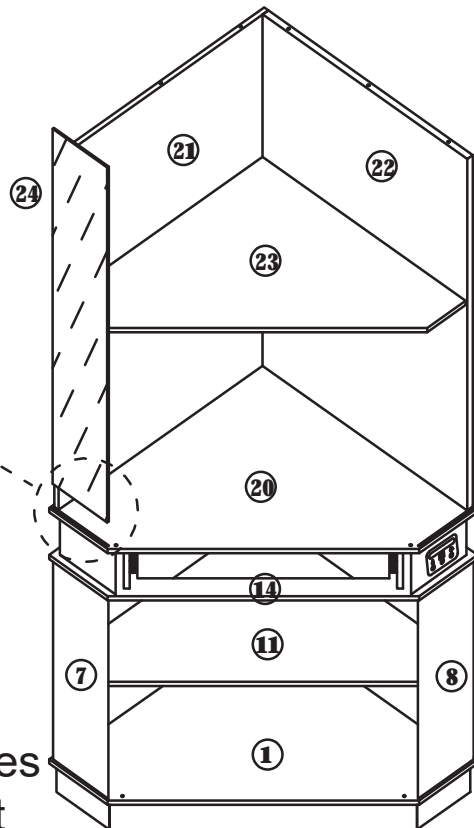
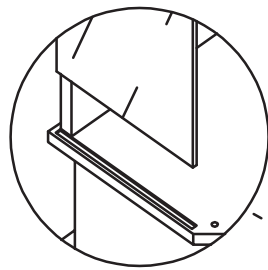


Step 64

B  x6

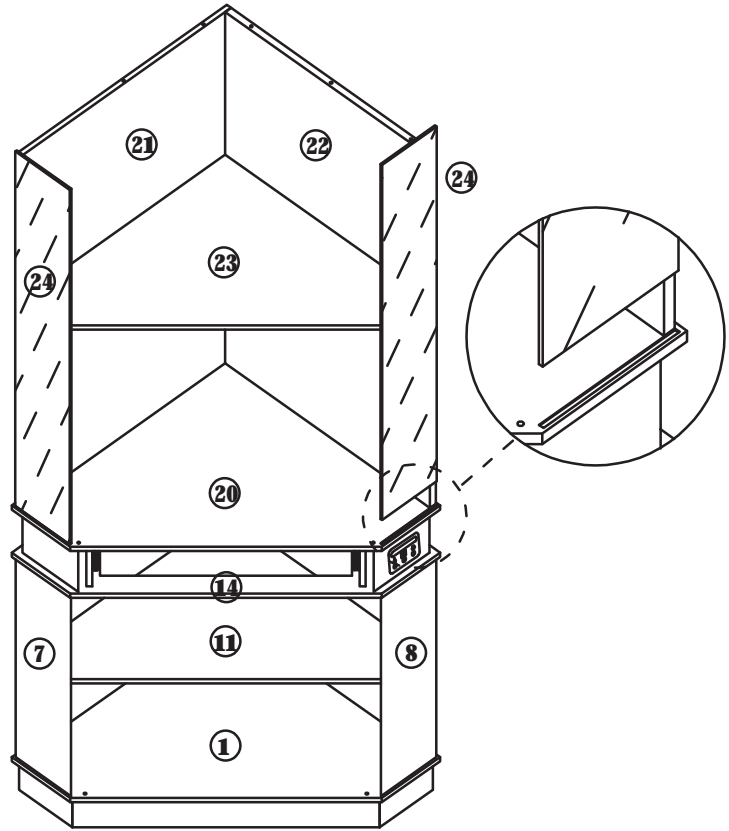


Step 65



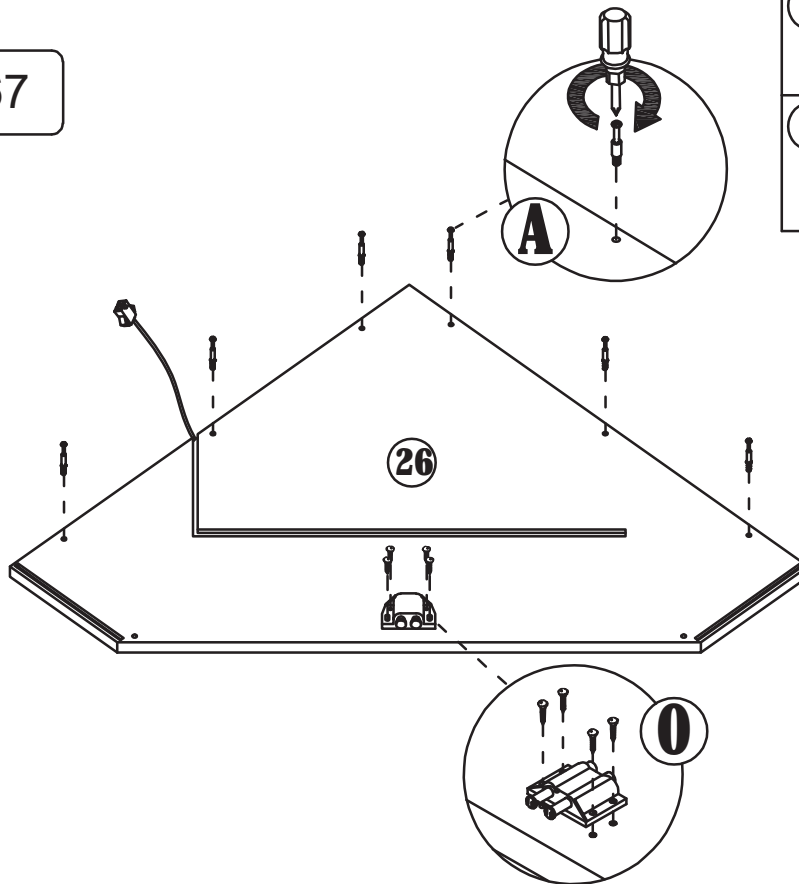
Installing this step requires someone to help support the glass.

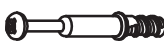


Step 66



Installing this step requires someone to help support the glass.

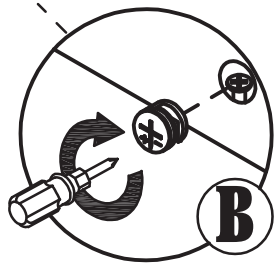
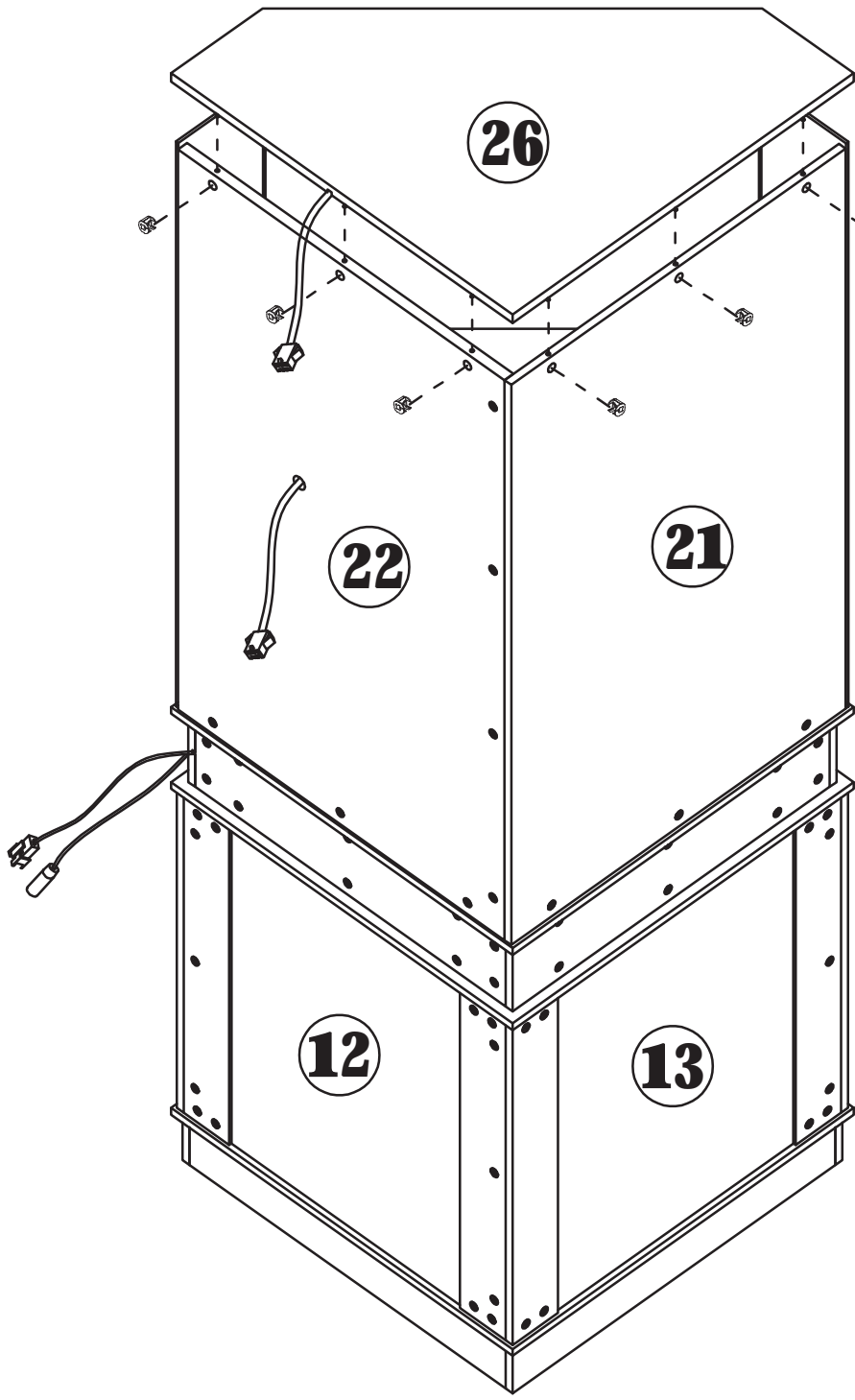
Step 67



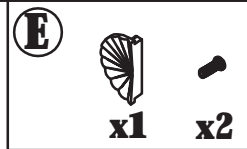
- A**  **x6**
- O**  **x1**  **x4**

Step 68

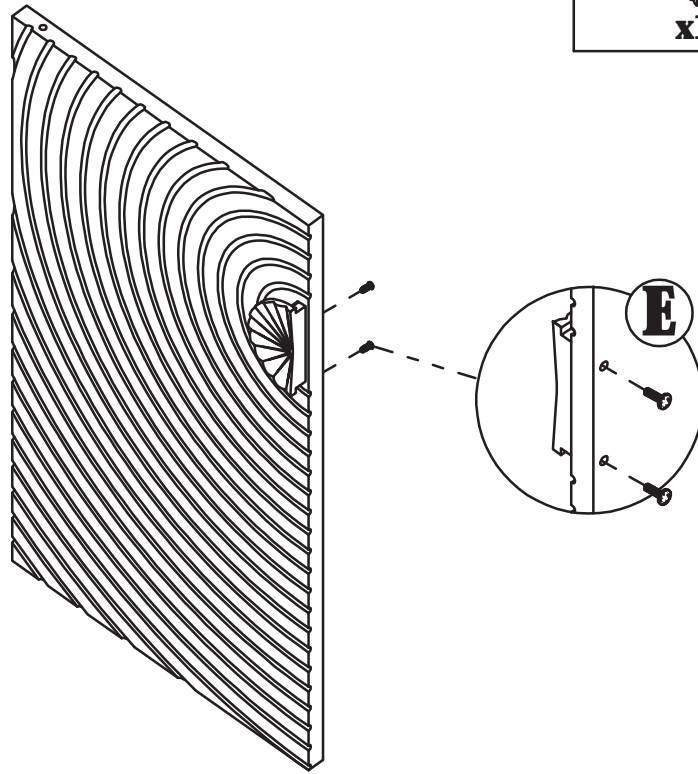
B  **x6**



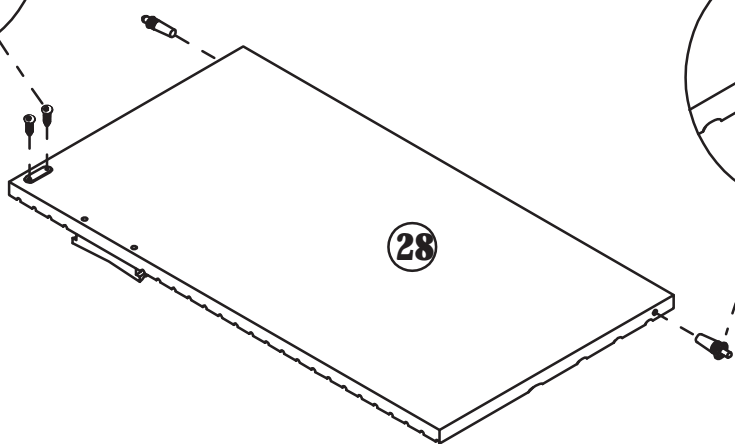
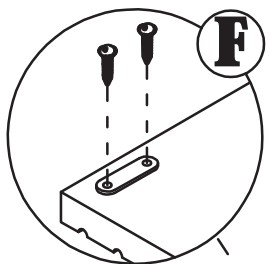
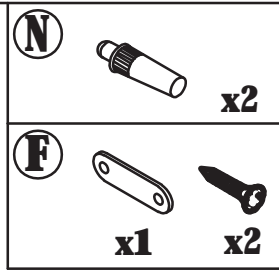
Step 69



28

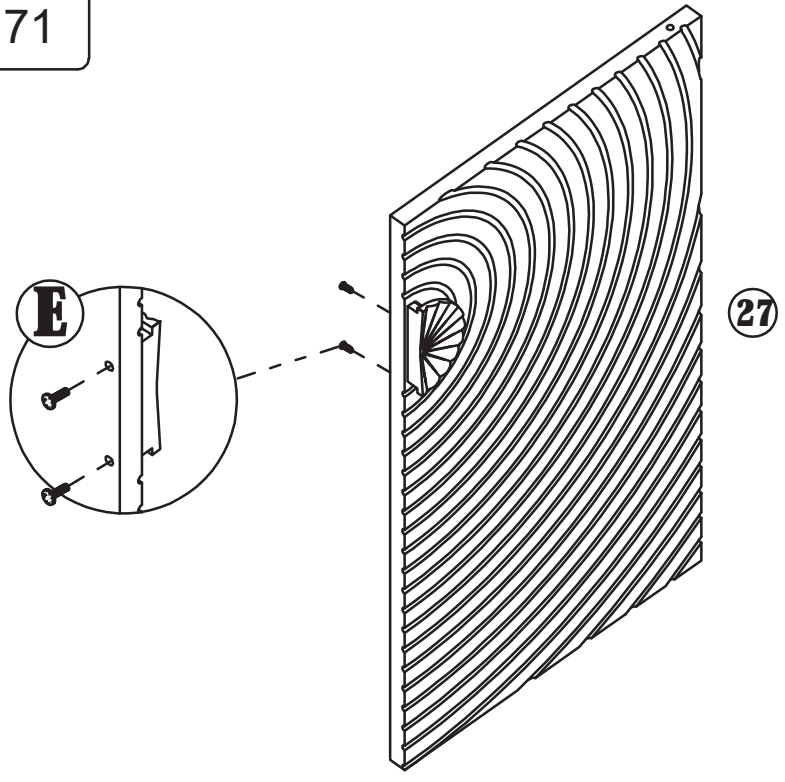
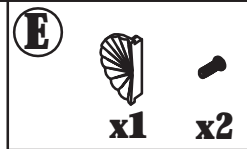


Step 70

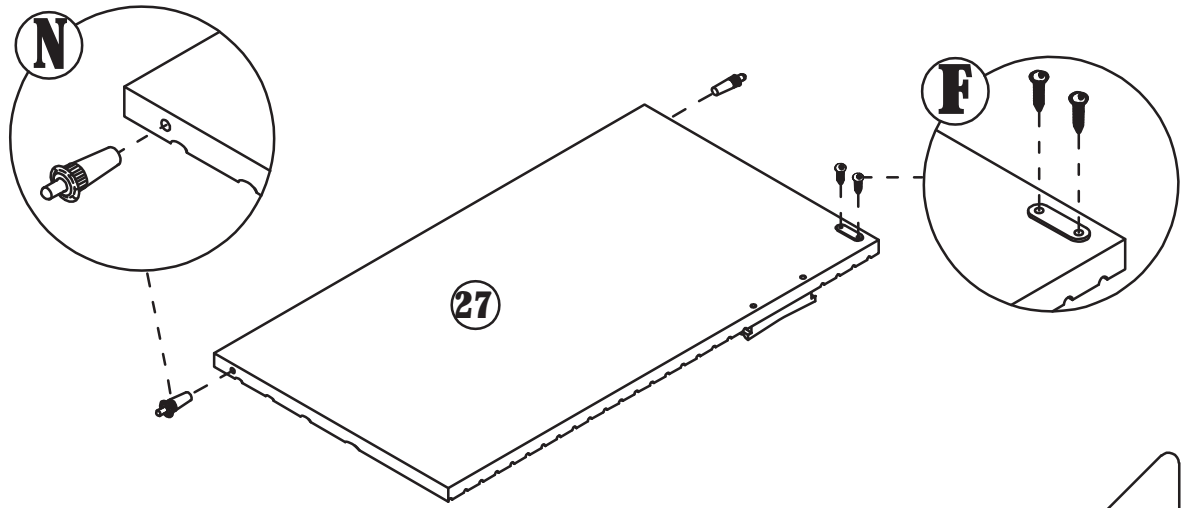
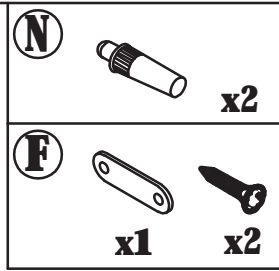


28

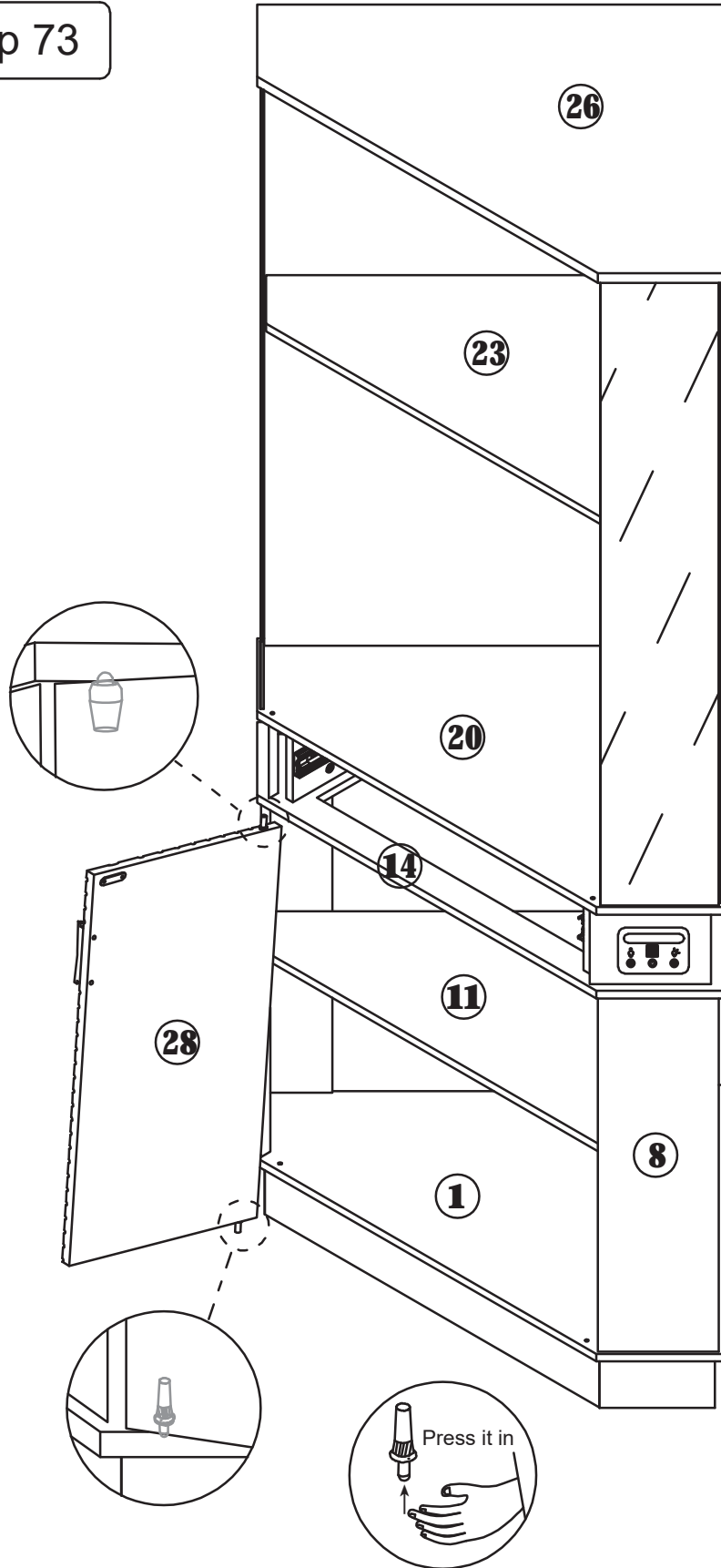
Step 71



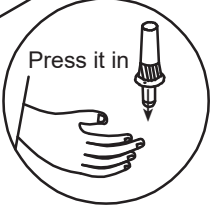
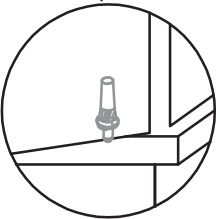
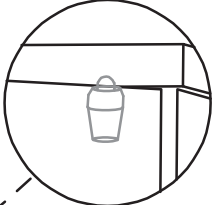
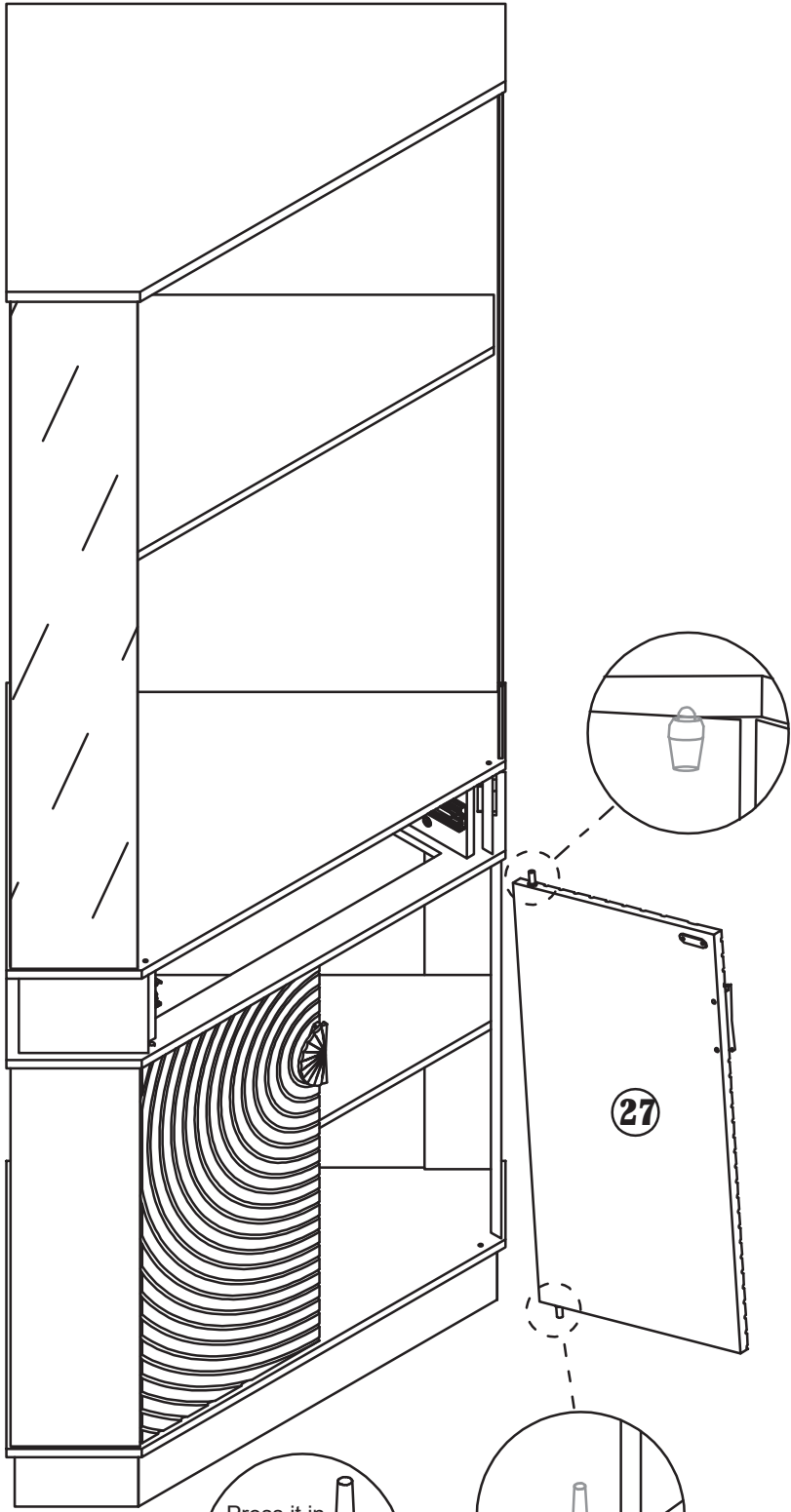
Step 72



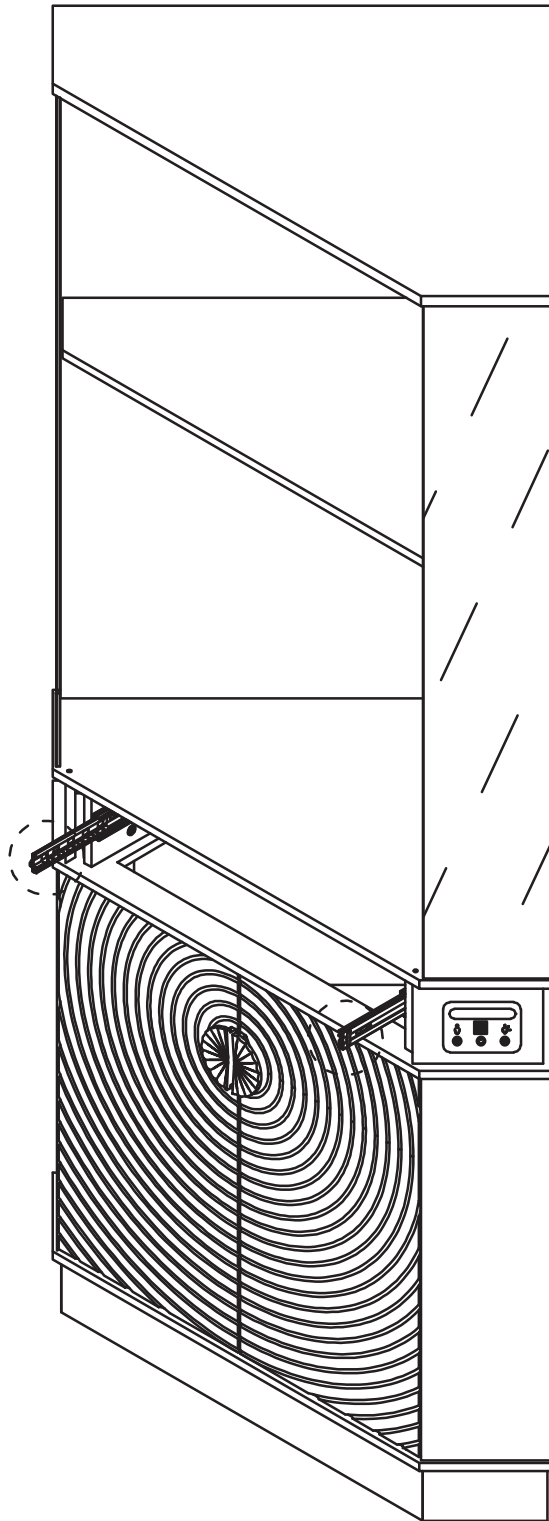
Step 73



Step 74

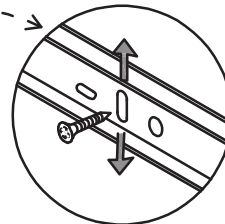
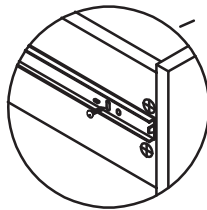
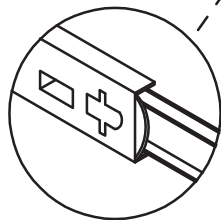
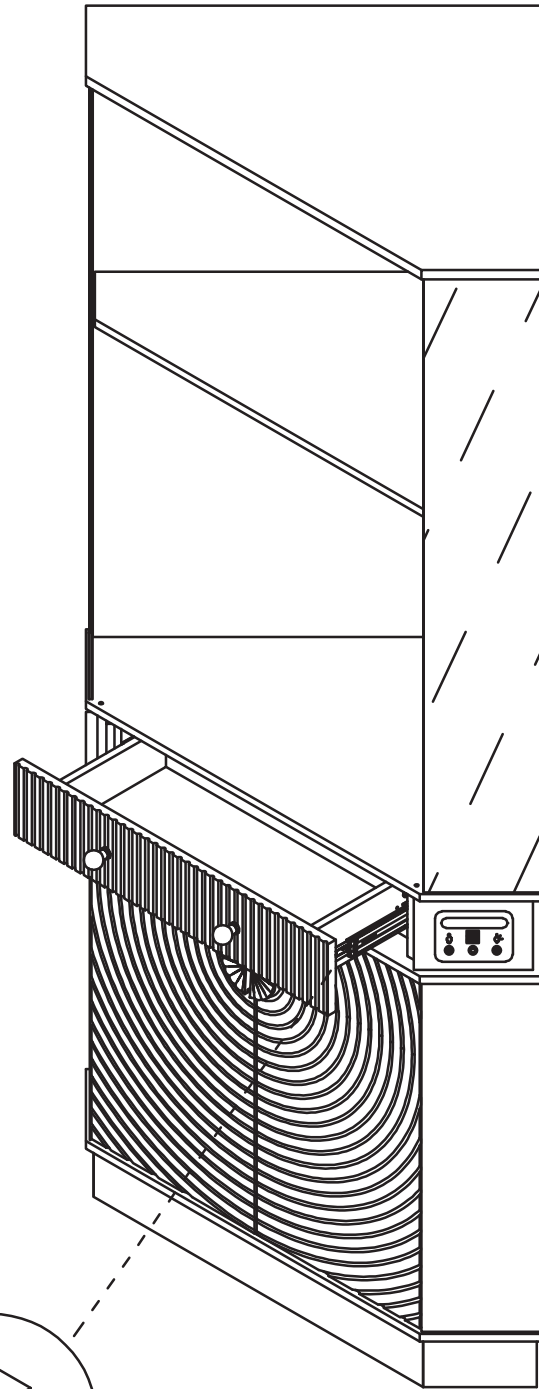


Step 75



As shown, When installing the drawer, pull the guide rail out first, Slide beads are also pulled out.

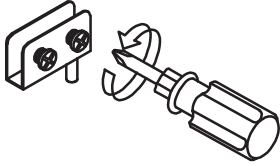
Step 76



If a large gap is found after installing the drawer the slide rail can be moved up and down to adjust the gap

Step 36

First, completely unscrew the screws on the parts

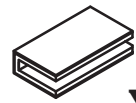


Place the white gasket first, then install the hinge, and finally tighten the screws.



White gasket

E

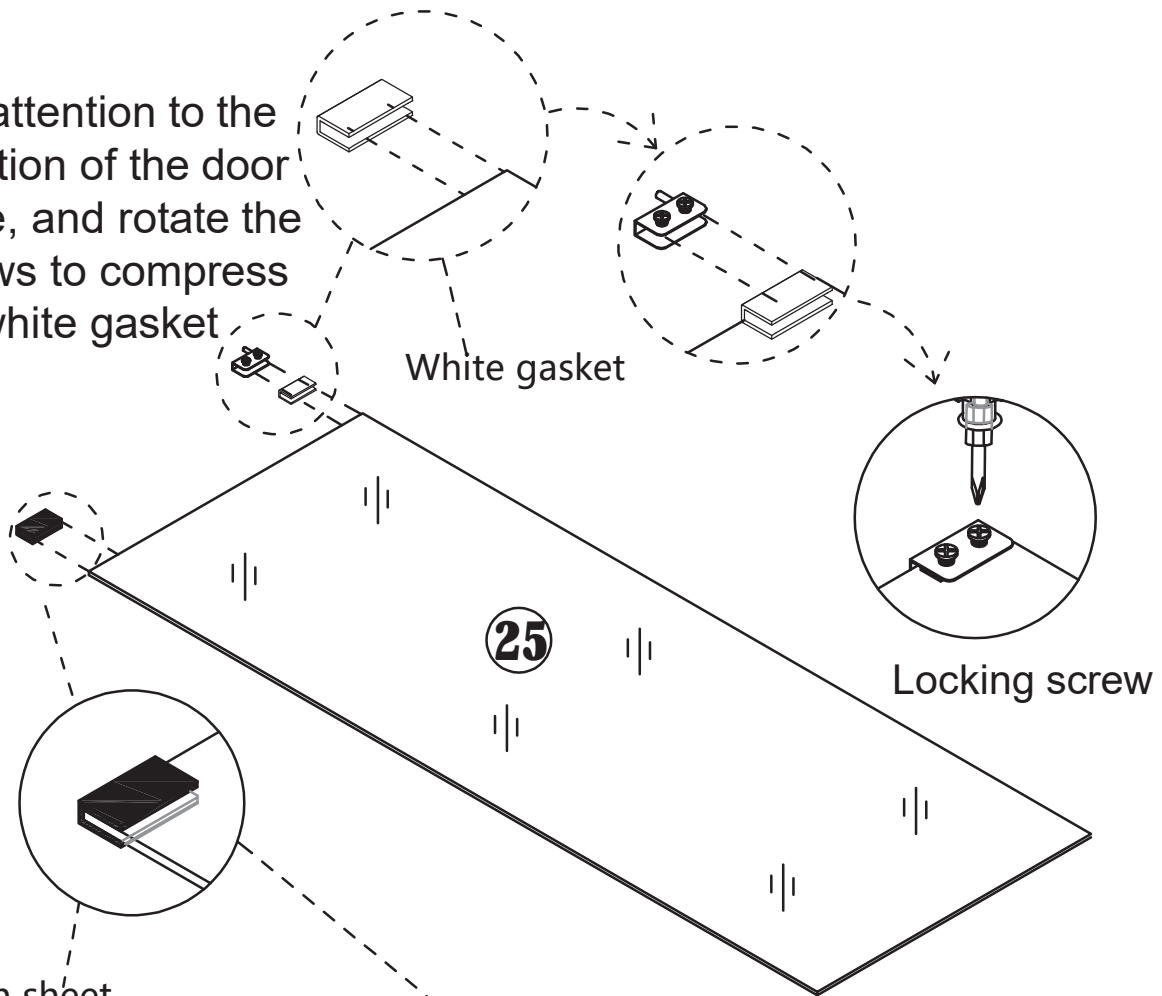


x1



x1

Pay attention to the direction of the door hinge, and rotate the screws to compress the white gasket



White gasket

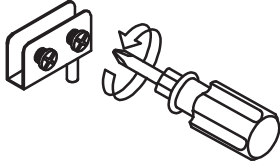
Locking screw

Iron sheet

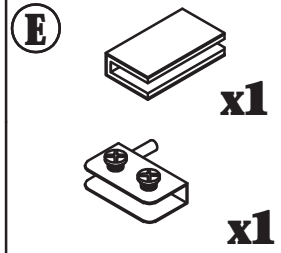
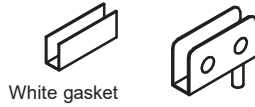
If you feel loose, please pinch the accessory before installation

Step 37

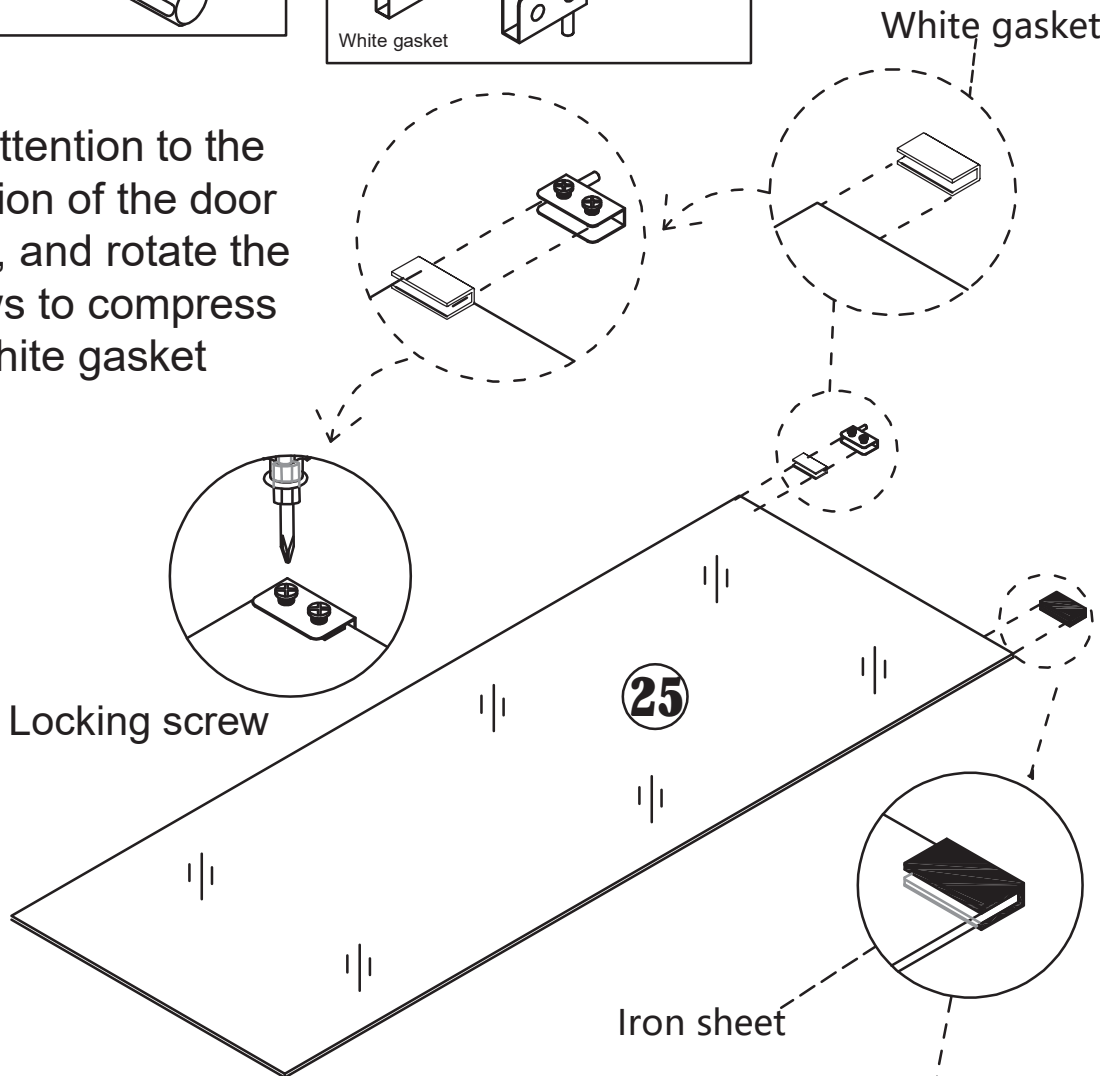
First, completely unscrew the screws on the parts



Place the white gasket first, then install the hinge, and finally tighten the screws.

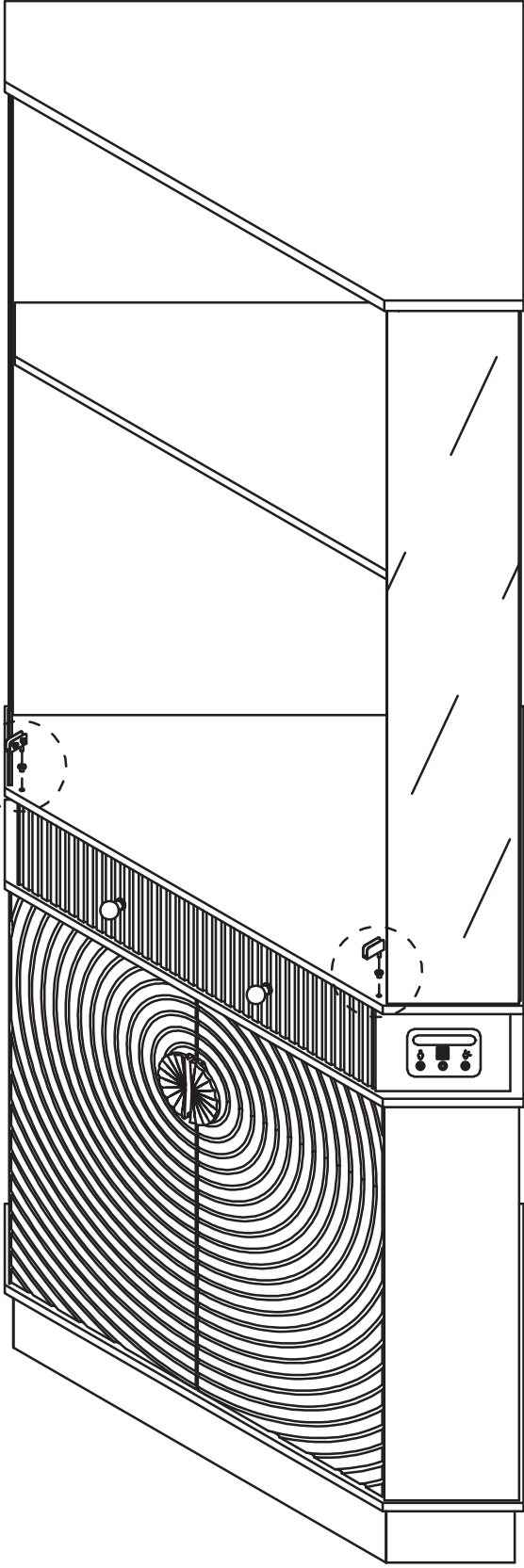
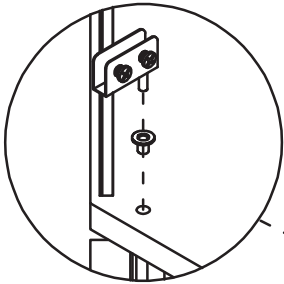
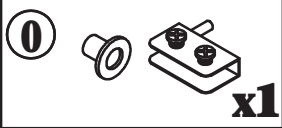
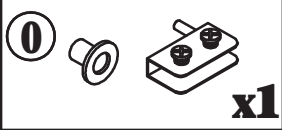


Pay attention to the direction of the door hinge, and rotate the screws to compress the white gasket



If you feel loose, please pinch the accessory before installation

Step 79



Step 80

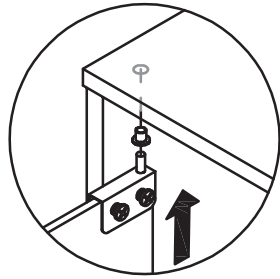
Pay attention to the direction of the door hinge during installation

0

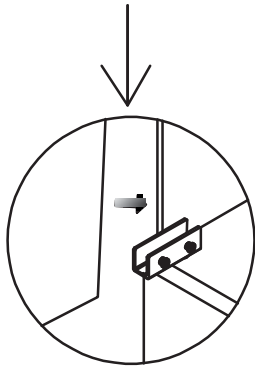


x1

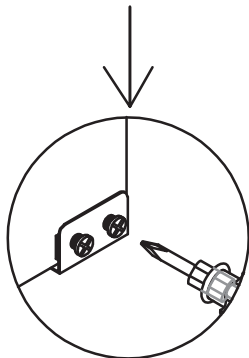
When installing a glass door, it is recommended to have two people install it to avoid the glass door colliding or hitting oneself.



first

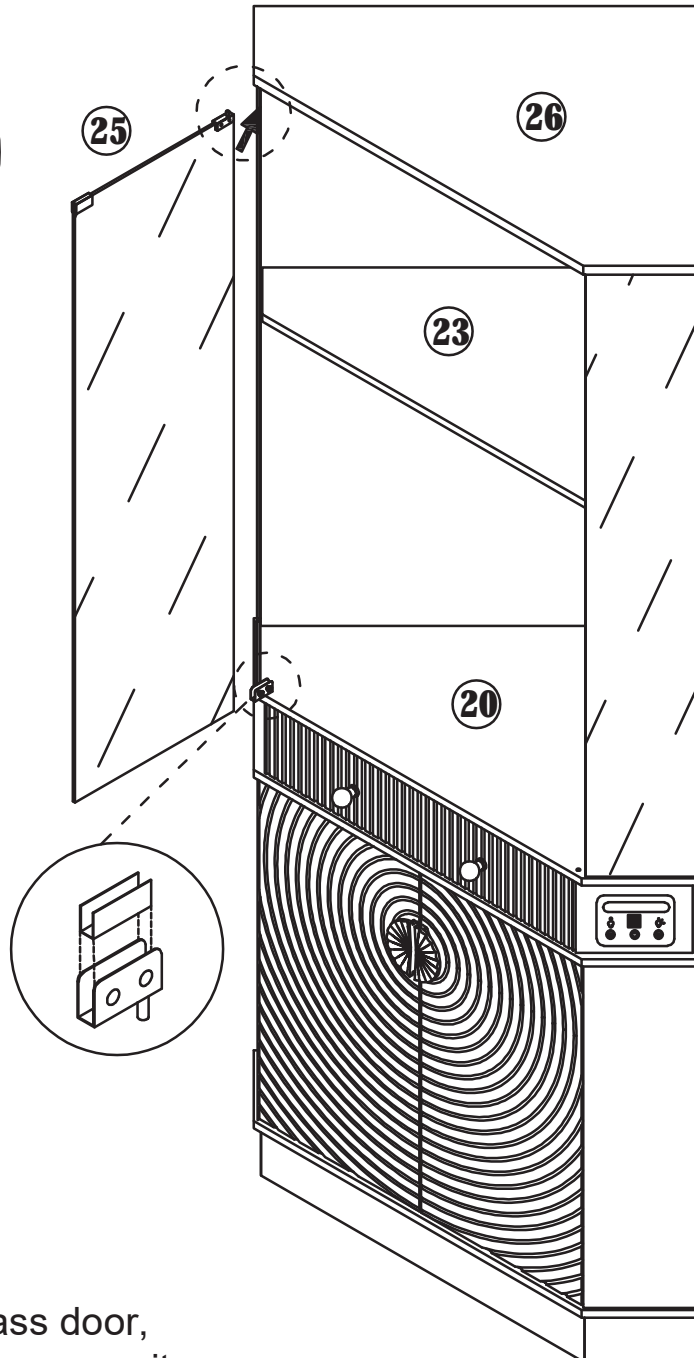


second



third

Locking screw



After aligning the glass door, tighten the screws to secure it.

51

Step 81

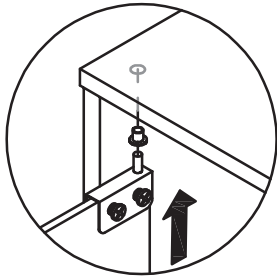
Pay attention to the direction of the door hinge during installation

0

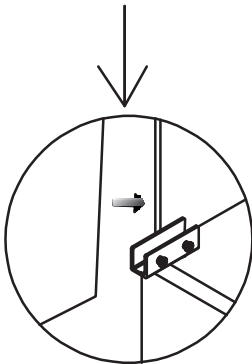


x1

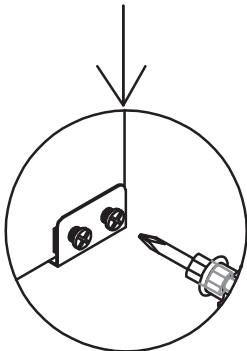
When installing a glass door, it is recommended to have two people install it to avoid the glass door colliding or hitting oneself.



first

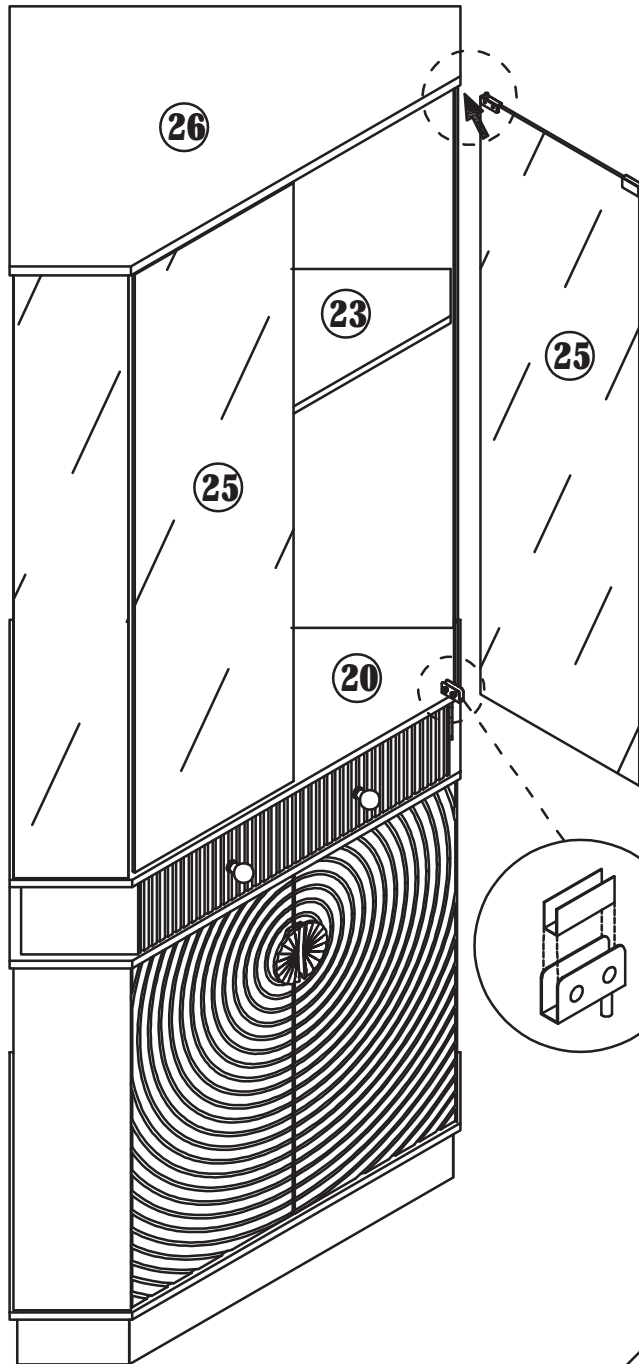


second



third

Locking screw

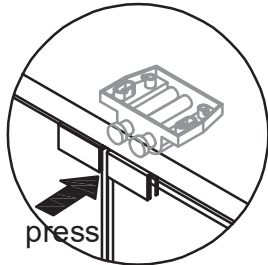


After aligning the glass door, tighten the screws to secure it.

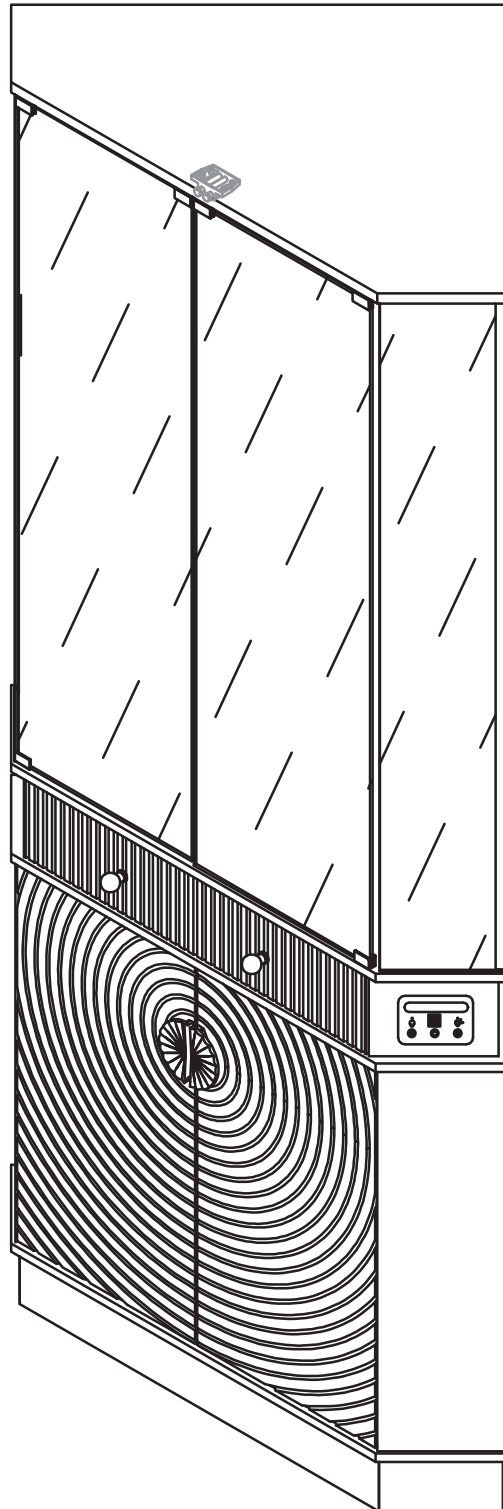
Step 82

The rebound device automatically opens and closes by pressing

Open the glass door

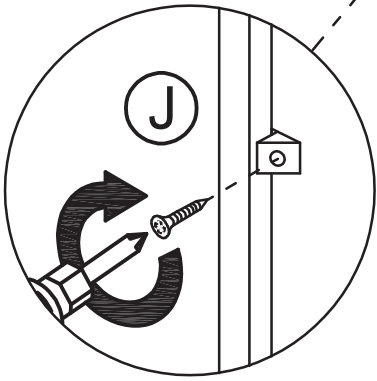
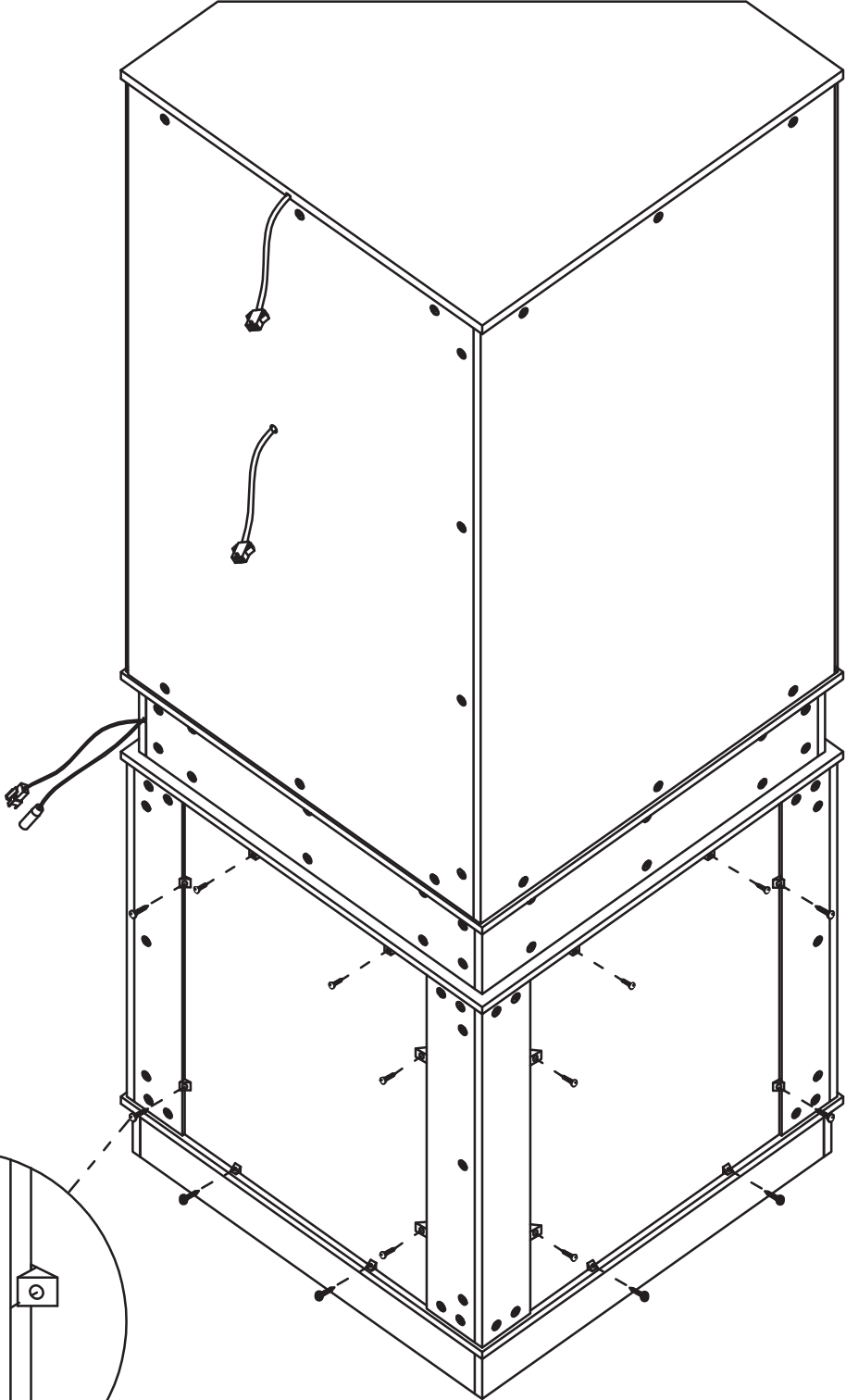


Close the glass door

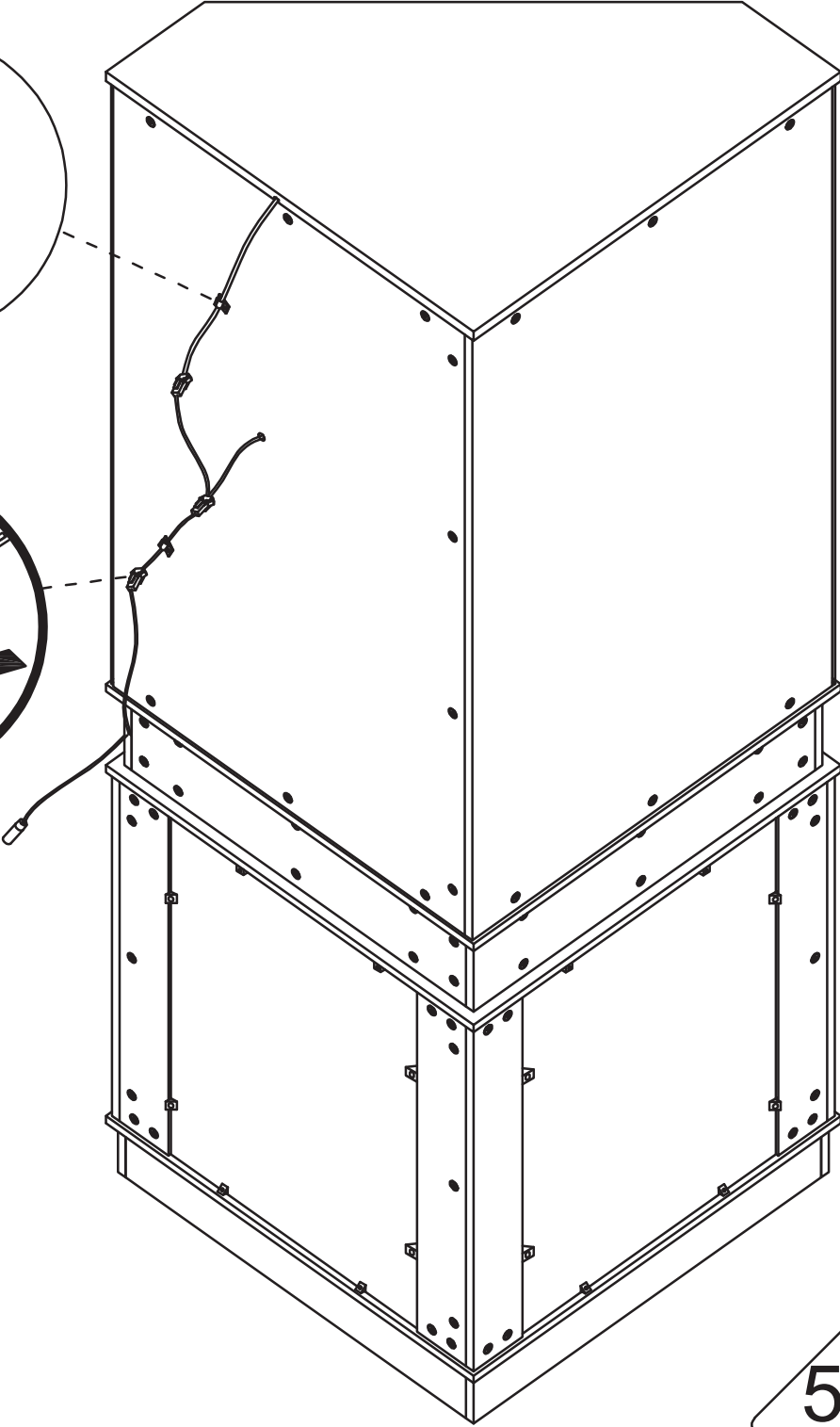
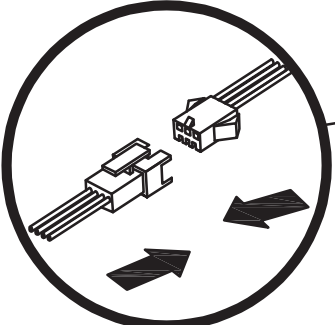
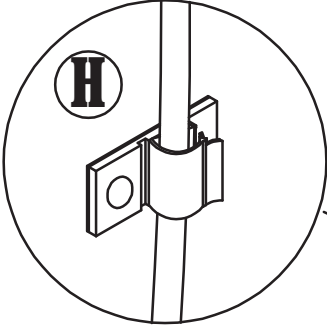


Step 83

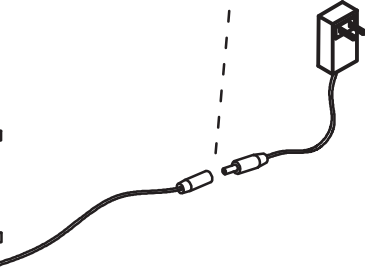
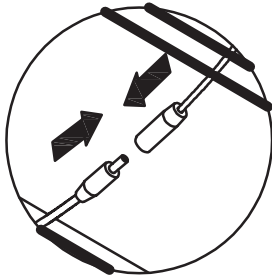
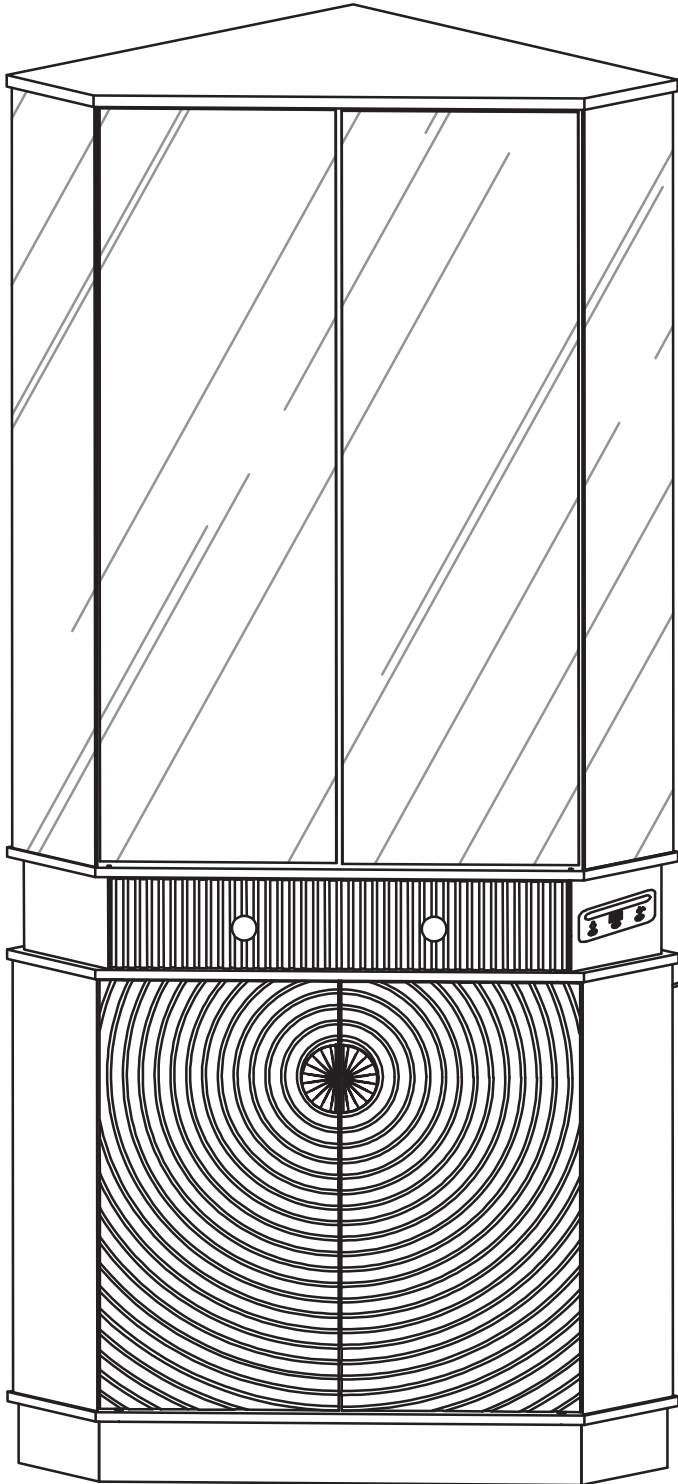
J   **x16**



Step 84

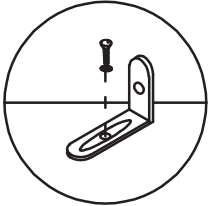


Step 85

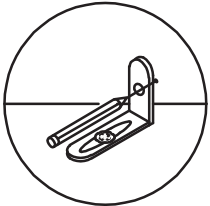


Step 86

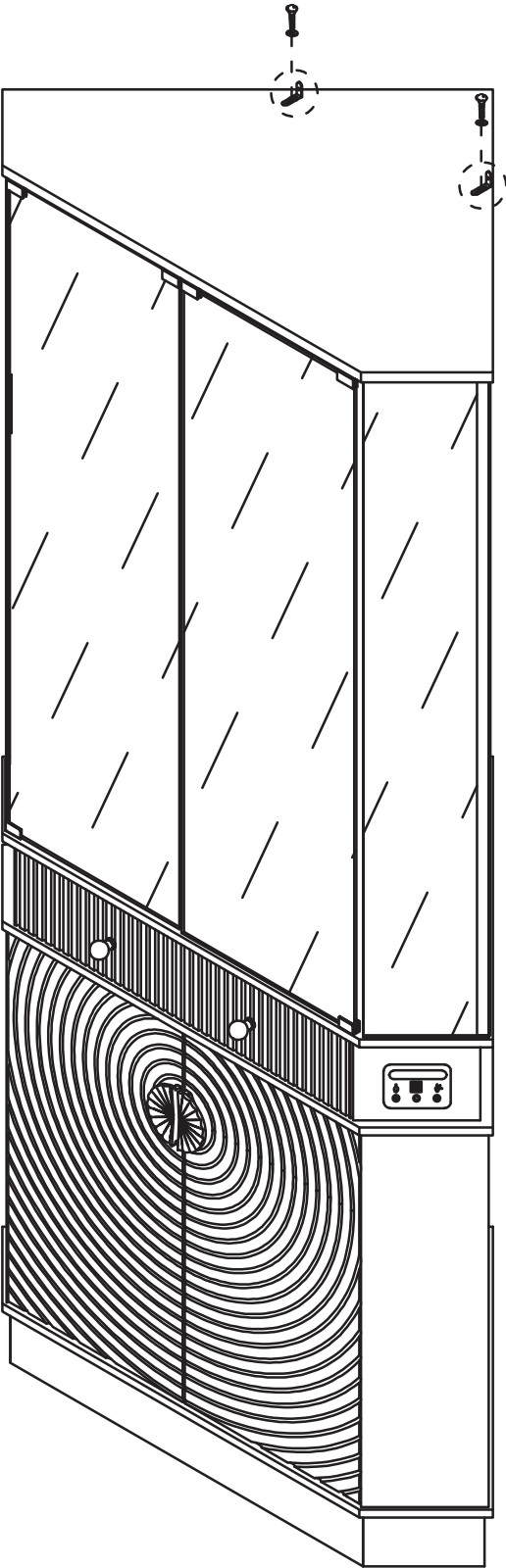
- ① L-shaped bracket x2
- ⊙ x2
- ⬮ x2



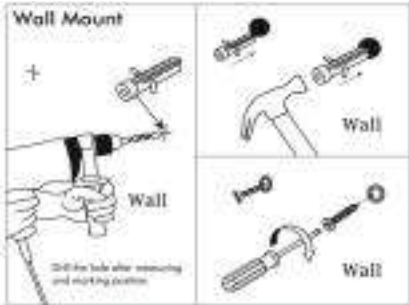
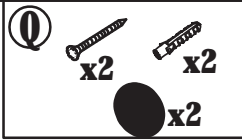
Install the anti fall hardware on the cabinet as shown in the picture first



Then mark the wall with a pencil through the holes in the anti-fall hardware



Step 87

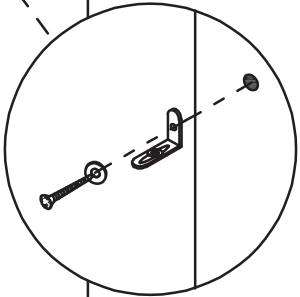
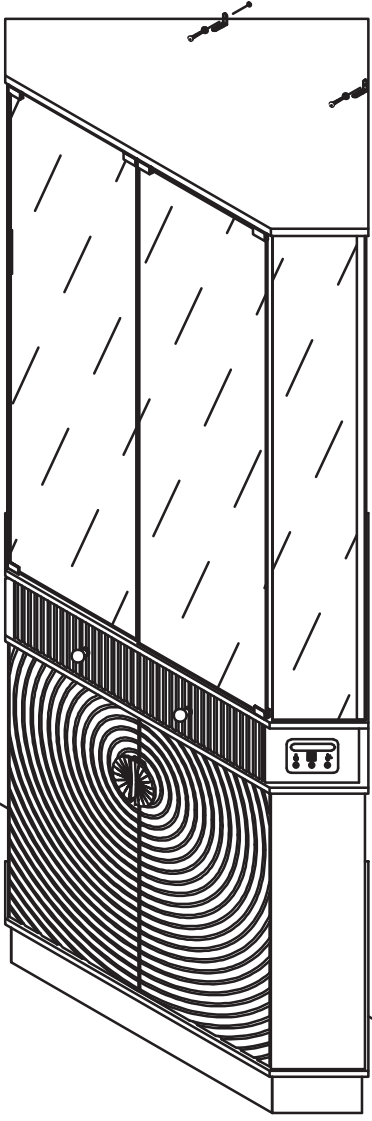


↖ Put the expansion bolt into the hole.

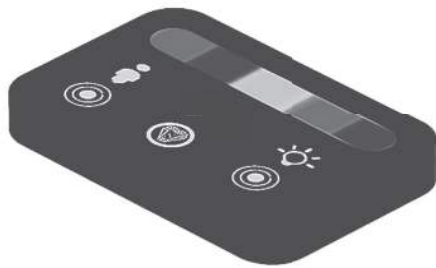
↖ Pass the matching screw through the "anti-rewind" and tighten them to fix them on the wall.

↑
Use a tape drill to make holes in the wall that are suitable for the product screws.

wall



wall



User's Guide

Thank you for purchasing this product.

To use this product, please plug it into a 12V DC power supply.

Please use if the product works normally after connecting to power.

Introduction

The box is an intelligent controller. With 4 touch buttons, it can turn ON/OFF the light and turn ON/OFF the induction function, change light colors, and adjust the light luminance.

The lights can be controlled through both the touch buttons and a dedicated app.

Operation



This touch button is used to turn the light on/off, adjust brightness, and switch the color of the lights.

- i. Single Click: Turn the light on/off.
- ii. Quick Double-Click: Switch between 7 static RGB colors.
- iii. Long Press (2+ seconds): Adjust the light luminance.



This touch button is used to turn on/off the induction function.

A. touch this button once to turn on the induction function (indicator light on).

After the person leaves or remains stationary for more than 30 seconds, the light strip goes out; people and objects within a range of 1 meters move will light up the light strip.

B. Long press this button for 0.5 seconds to turn off the human body induction function (the indicator light goes out).

At this point, Keep the light strip as it was before turning off and no longer be affected by human and object activities. By default, induction function is enabled when powered on.



This touch button is the Dynamic Phantom Color Mode, which includes 5 magical lighting effects.

Simply tap to cycle through the options. (Attention: This mode cannot adjust the brightness)



This area controls the color switching function.

You can tap or slide to any color bar position to change the color.



ATTENTION PLEASE

1. If there is no touch response suddenly, Re-plug the power to reset the touch static electricity.
2. If bubbles appear on the panel, remove the protective film.
3. If you have any questions when installing, please feel free to contact us. Thank you.



Select English Language

Select the corresponding device to download.
Note: If the download fails, please turn off the "Enhanced Protection" in the Pure Mode settings of the device.



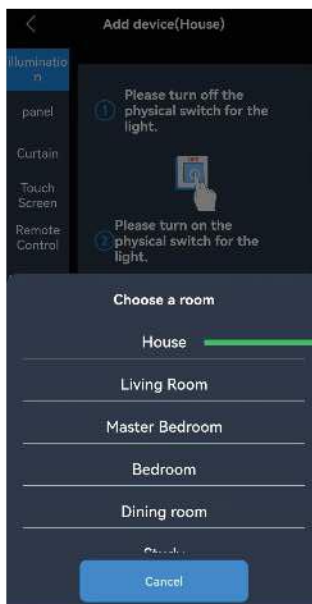
1



2

It turns blue after clicking

3



4



5 Unplug the smart box



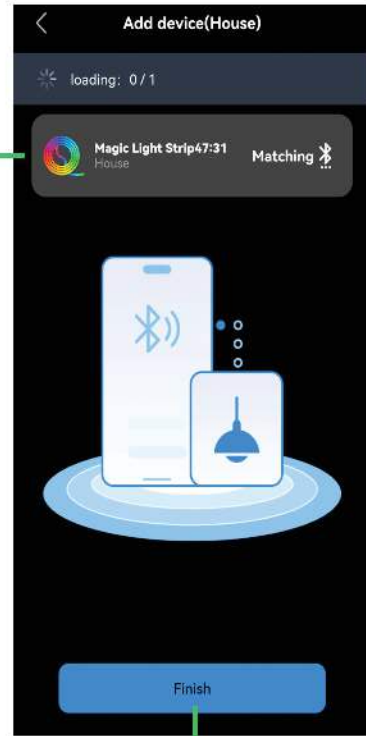
6

7 Plug in the smart box power plug.

The appearance of this program icon indicates that the matching is complete



8



9



10



Now you can freely adjust the lighting according to your preferences