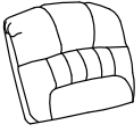









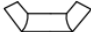


# Assembly Instructions

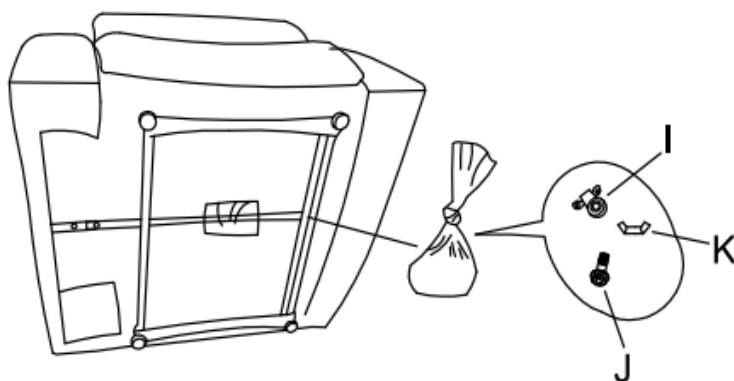
Your recliner comes packaged in **three** box. Carefully remove all of components from the packaging and set aside for assembly.

**CAUTION:**  
**DO NOT** use any sharp objects to open plastic wrapped components as damage to product or components may result.

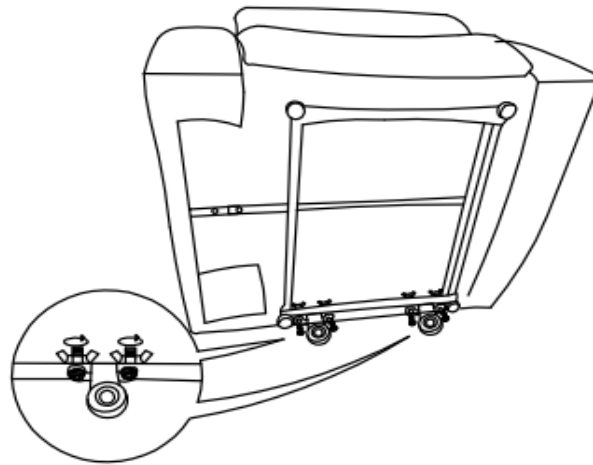
## Package Contents

|   |   |   |   |   |   |
|---|---|---|---|---|---|
| A*1<br>  | B*1<br>  | C*1<br>  | D*1<br> | E*1<br>  |   |
| F*1<br> | G*1<br> | H*1<br> | I*2<br> | J*4<br> | K*4<br> |

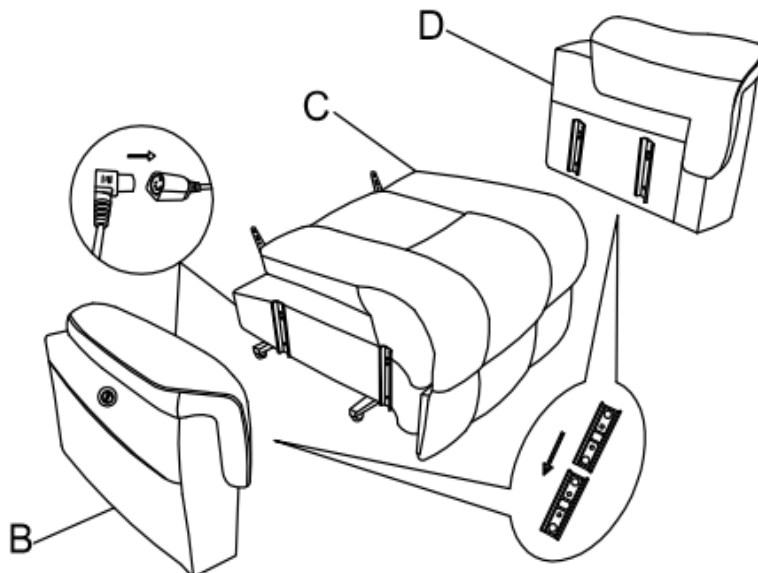
**Note:** Take the parts out of the small compartment at the bottom of the seat.



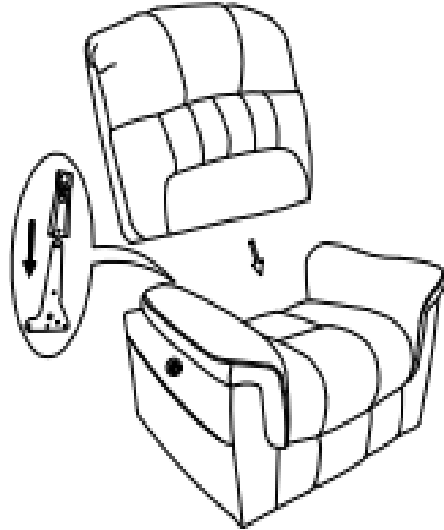
**Step 1:** Screw in the anti-reverse feet to the bottom of the seat to prevent tipping. Note that the feet are mounted on the back side of the seat bottom.



**Step 2:** Attach the **Armrests (B&D)** on both sides to the **Seat (C)** using the metal sliders, ensuring that they are securely fitted before use. When installing the armrests take care to connect the wires on the right side of the seat to the wires on the armrest side and install them securely.



**Step 3:** The backrest is mounted to the seat by means of a metal slide, ensuring that it is securely installed before use.



No.1 and No.2 wire connect with the backrest and chair seat.

No.3 wire connects with backrest and power cord(F).

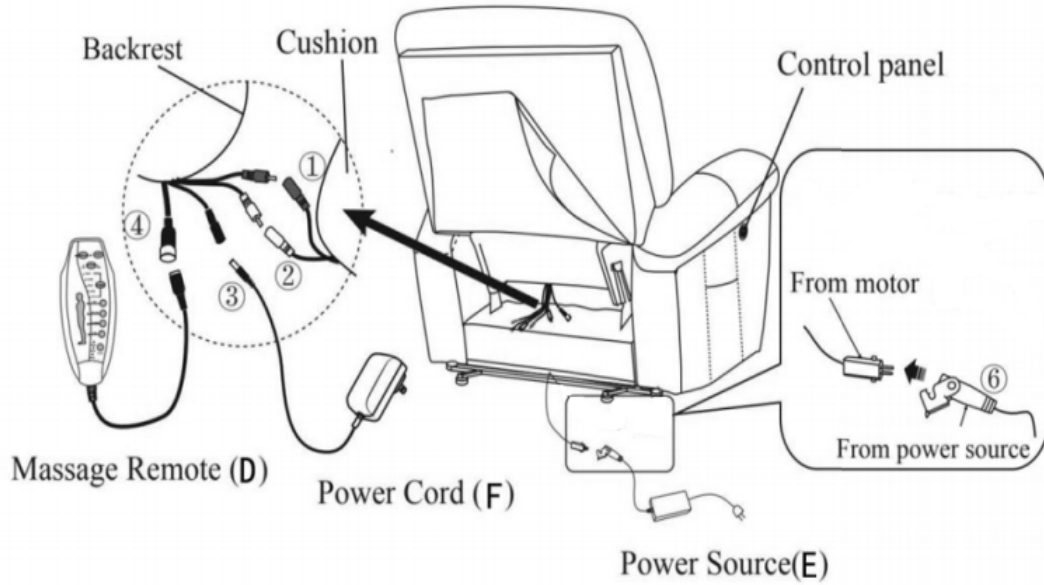
No.4 wire connects with backrest and massage remote(D).

No.5 wire connect the motor and the wire from rightside armrest which use to connect the control panel.

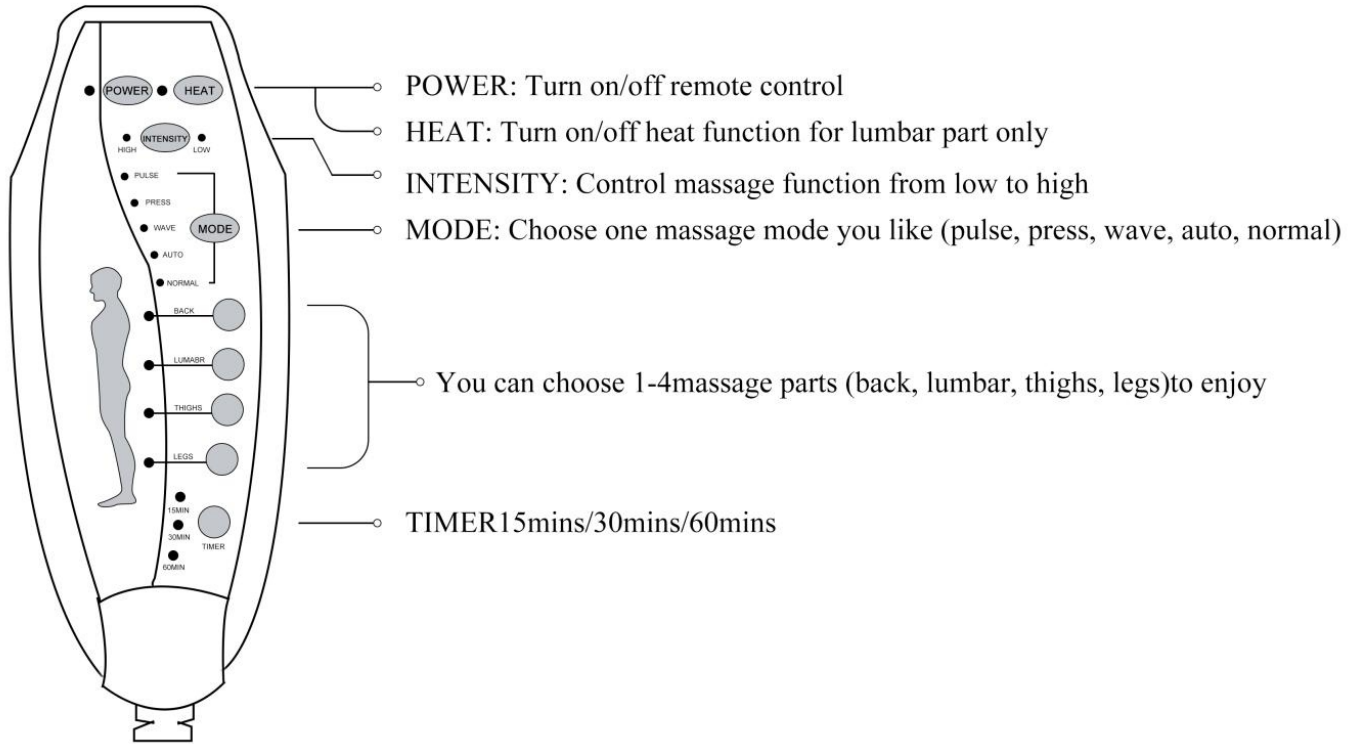
No.6 wire connect the motor and power source (E).

**NOTE**

1. Two same color wires connect.
2. Plug both the Power Cord (F) and Power Source (E) into outlet to get the recliner working.



# Operation Instruction



## Warnings

1. Please check if the components of the chair are all included and can be used normally.
2. Assemble all components according to the instruction correctly before you connect the chair to the power.
3. Please DO NOT sit on the armrests or footrest to eliminate the risk of tipping over.
4. If the chair is damaged or doesn't match the website description, please send clear pictures of the product and label of the carton to our service team for further help.
5. If the recliner doesn't work, you may try the following measures for self-checking firstly:
  - a) Check if all the cables are connected;
  - b) Check if the light of transformer is on.

If the chair still doesn't work, please feed the information back to our customer service in time and we'll help you solve the matter as soon as possible.

