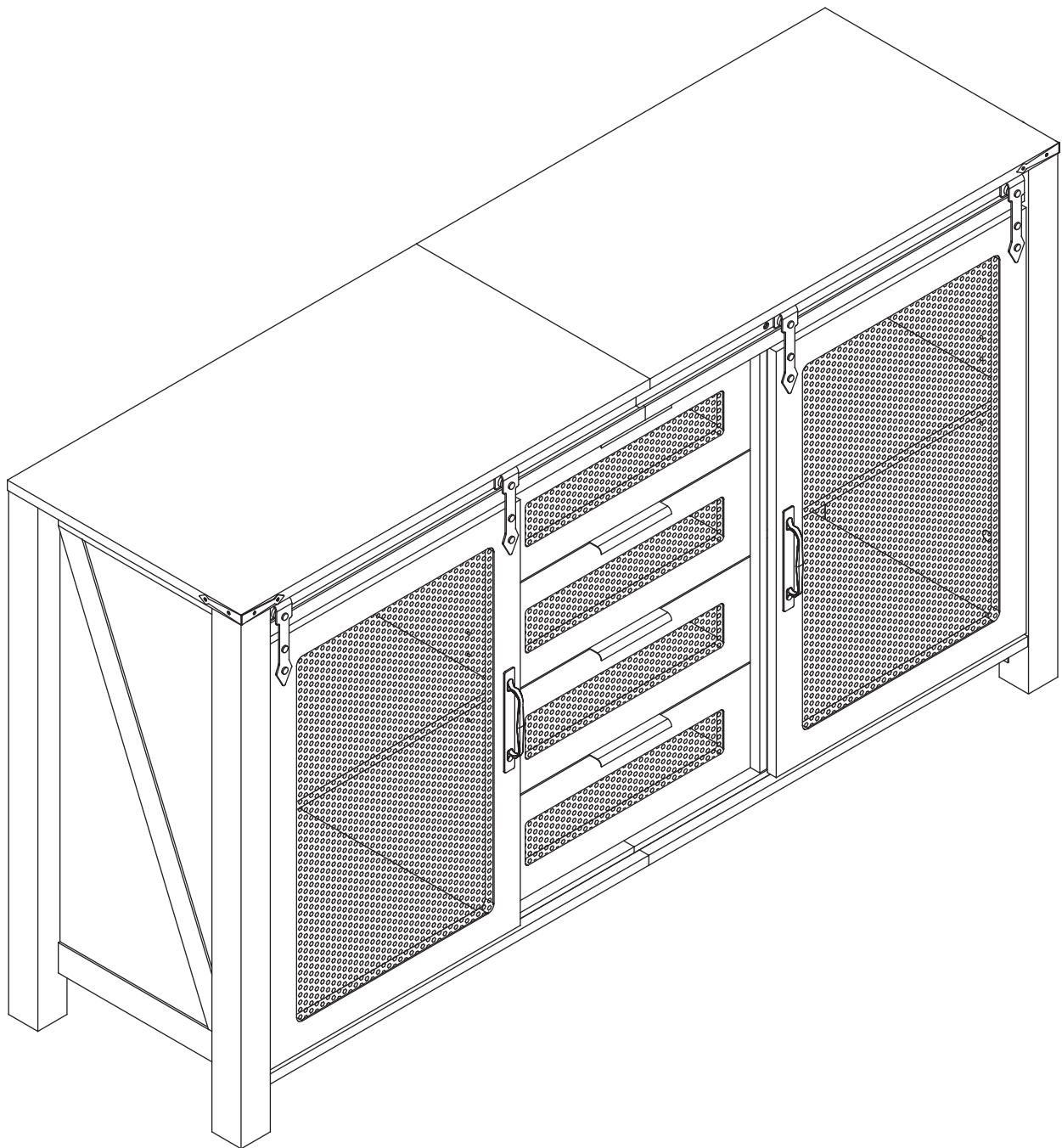


# ASSEMBLY INSTRUCTION



## ATTENTION

1. Thank you for purchasing our product. If you are not satisfied, we offer a six-month free warranty for the product, which includes free replacement of damaged parts.
2. The rattan surface may be somewhat fragile, so please handle it with extra care during installation.
3. For any issues related to product damage, installation, or use, you can contact our after-sales team through your purchase interface.

## INTRODUCTION

1. Thank you for purchasing our products. Our lifelong goal has always been to provide customers with the best quality products and service.

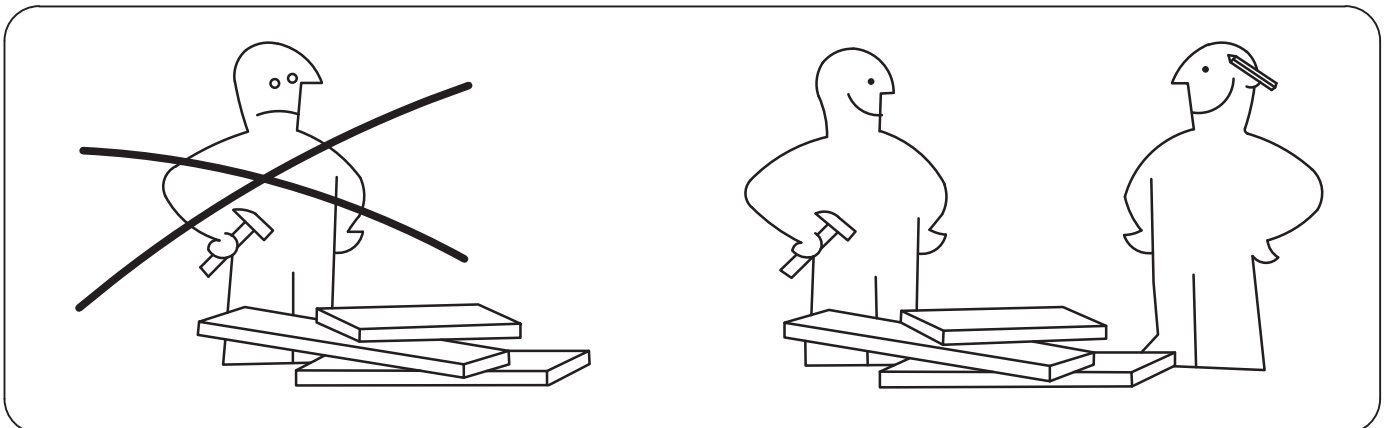
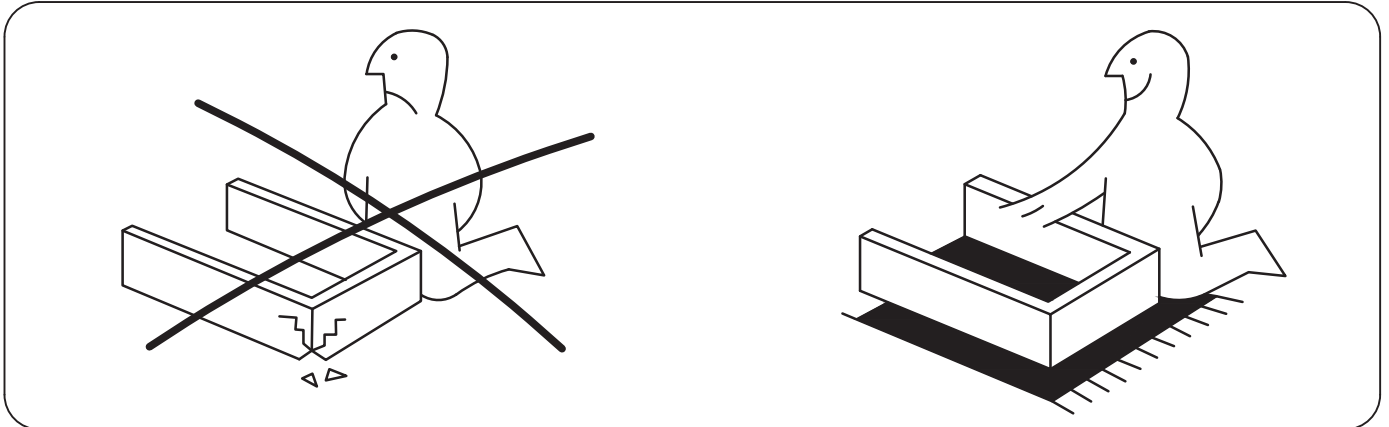
2. If the product package is damaged, please check if **any of the panels affected**.

**\* If there is any damage, please contact our after-sales team through your order page to receive the appropriate solution. We will respond within 24 hours.**

Thank you for your patience.

3. Before using this product, please read this instruction manual carefully to ensure correct use.

4. Please keep the instruction manual safe for future reference, such as product warranty and your exclusive **benefits**.



## PRECAUTIONS

**\*The customer service team will respond within 24 hours.\***

1. There are many components and accessories in the package. Each component and accessory is labeled with a letter or a number, so please check carefully before use. Keep them away from children to prevent accidents.

3. The main components of the product are relatively heavy. Please pay attention to safety during installation.

4. The product is unstable during installation. Please do not move it randomly before it is completely installed.

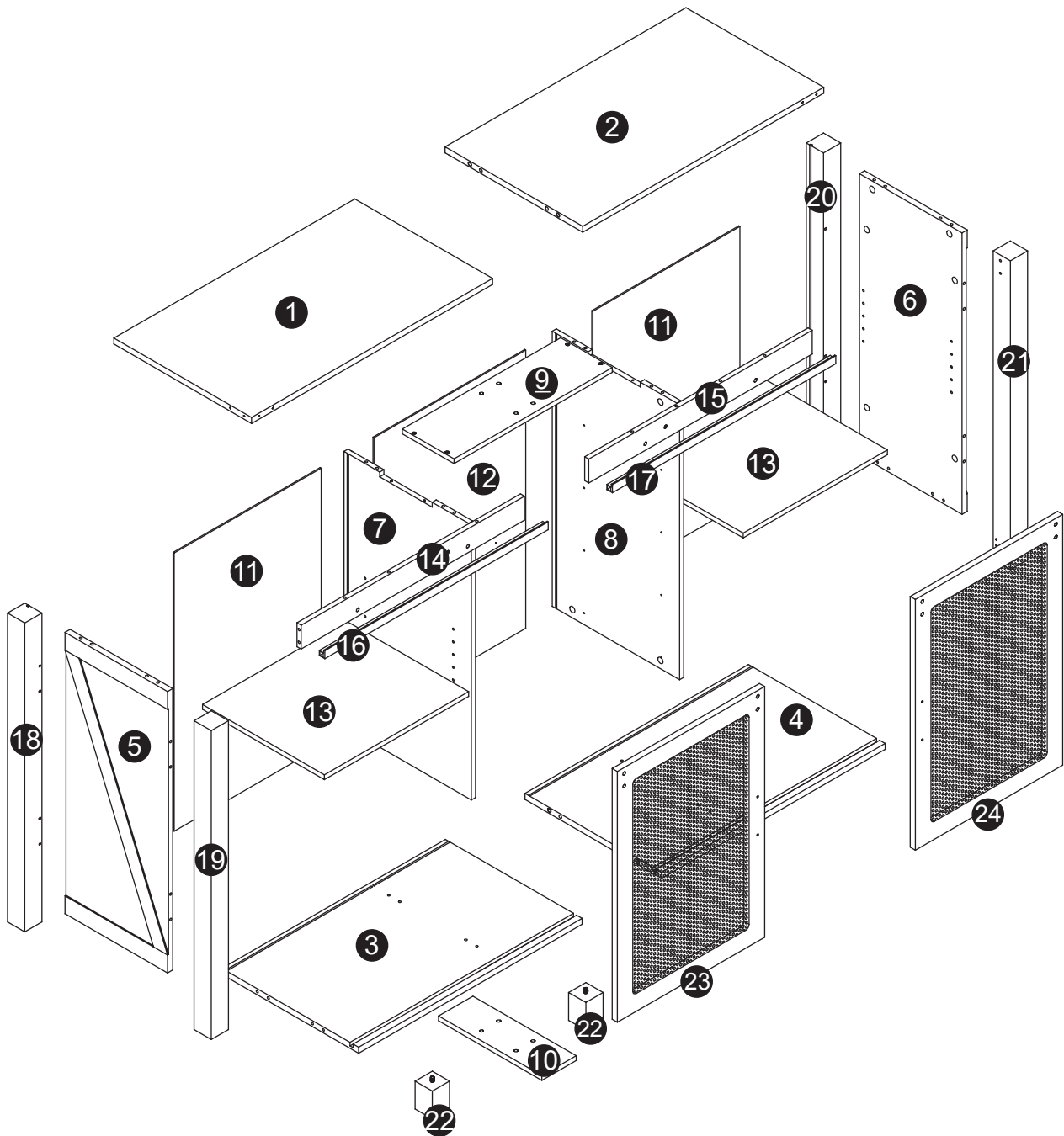
5. If you have any questions during installation, please contact customer service in a timely manner.

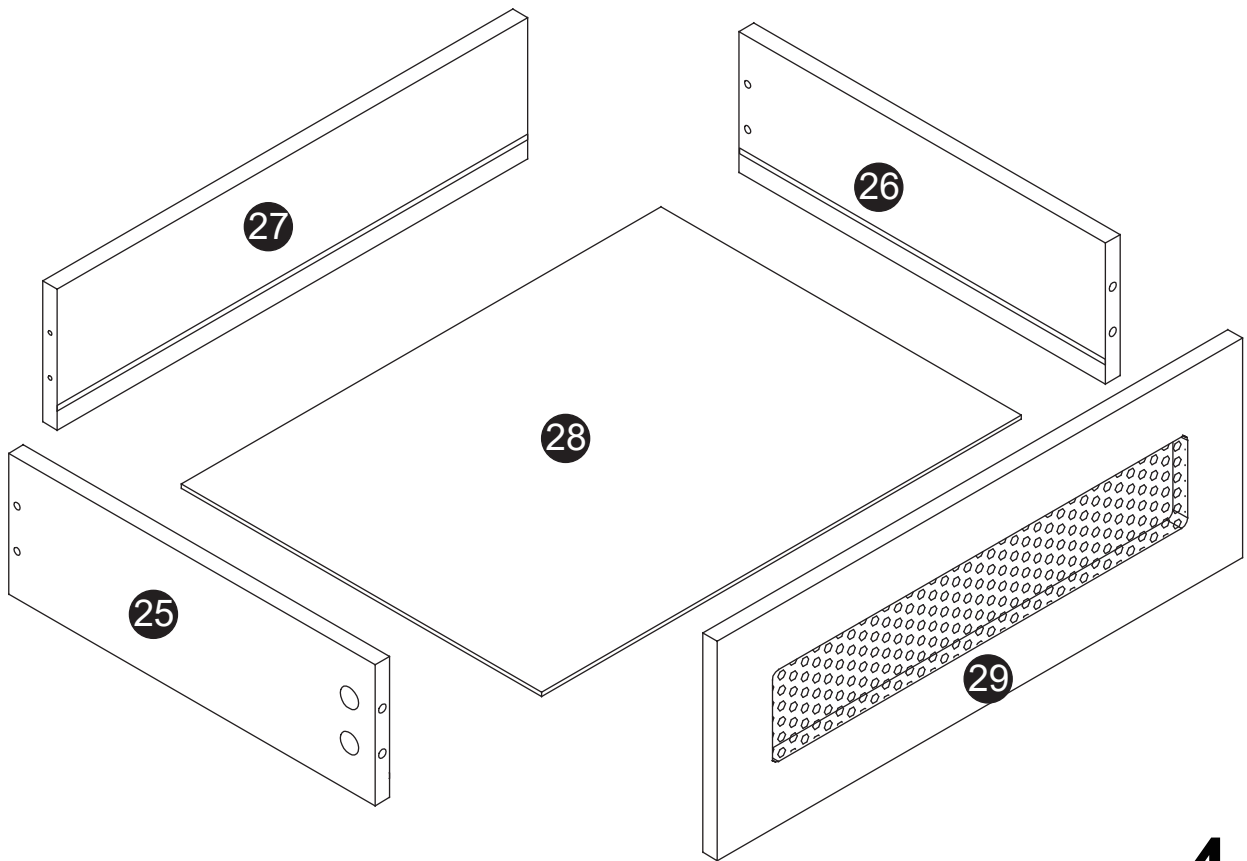
**Be sure to follow the installation steps in the manual to avoid unnecessary losses caused by improper installation.**

**If you need further assistance, please contact customer service.**

# CABINET PANEL LAYOUT

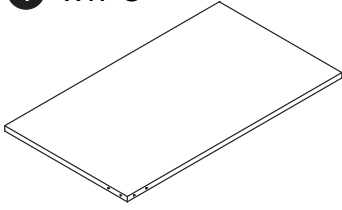
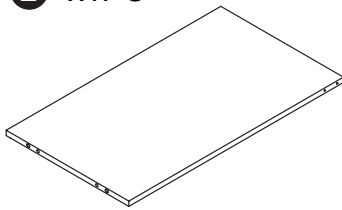
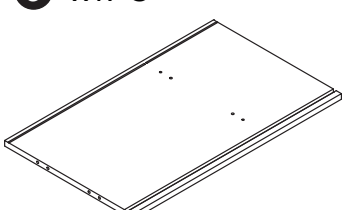
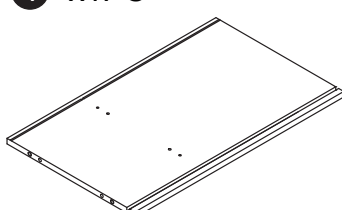
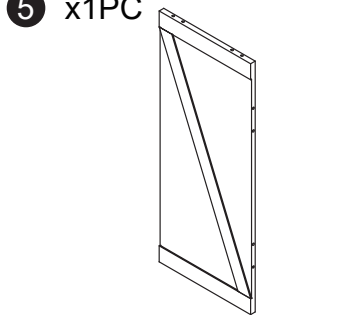
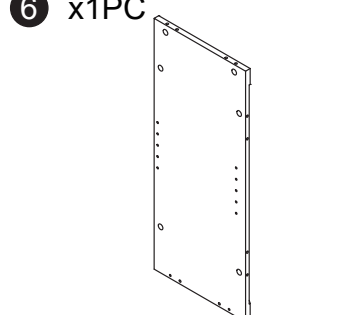
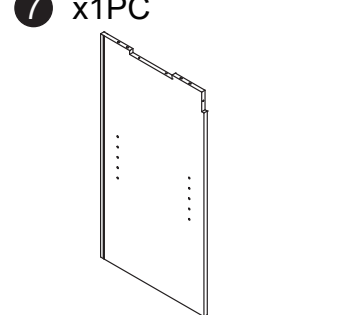
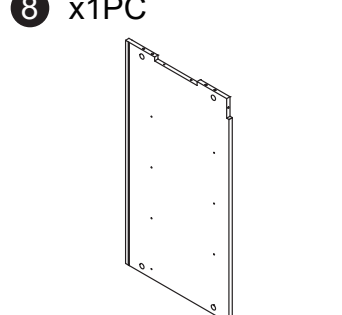
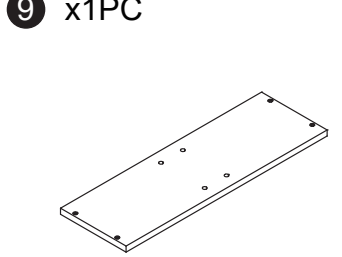
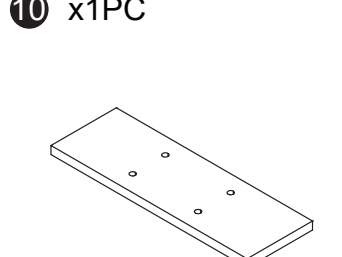
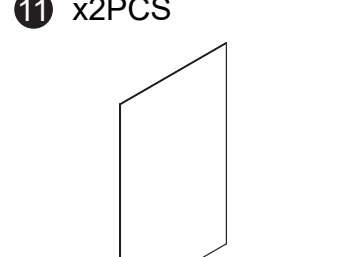
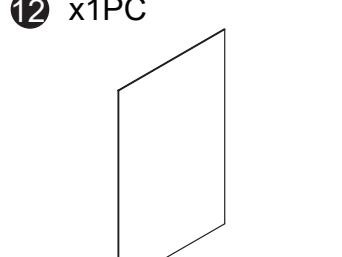
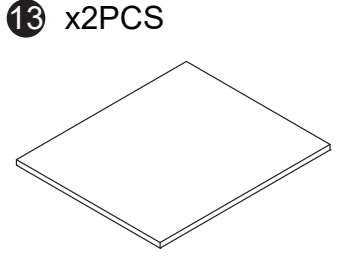
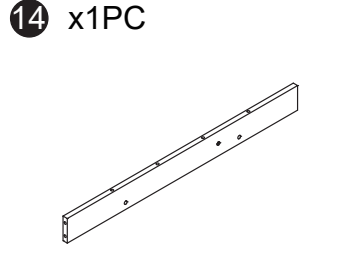
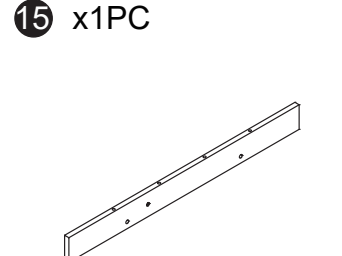
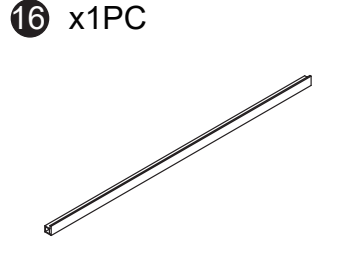
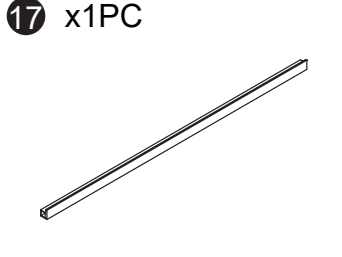
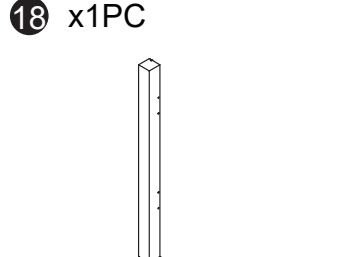
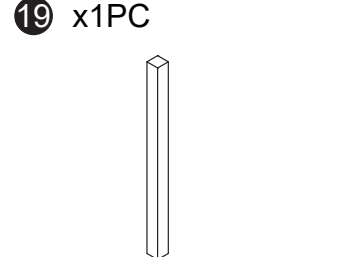
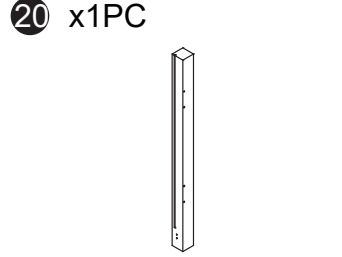
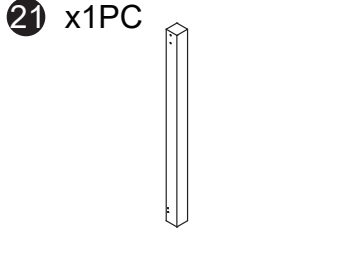
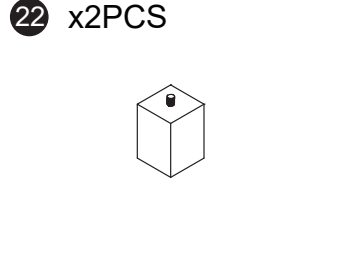
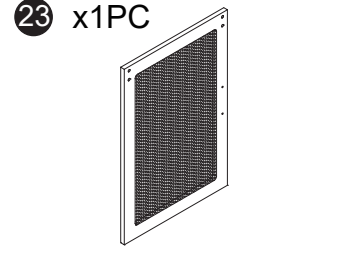
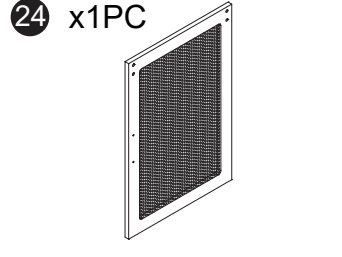
1. To help you better identify the installation positions of the panels.
2. Due to the large number of boards, in order to facilitate the installation, please place the boards in order after opening the parcel and then start the installation.





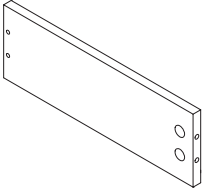
**x4**

# PANEL LIST

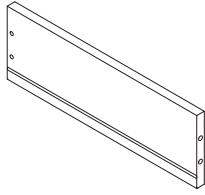
<p><b>1</b> x1PC</p> 	<p><b>2</b> x1PC</p> 	<p><b>3</b> x1PC</p> 	<p><b>4</b> x1PC</p> 
<p><b>5</b> x1PC</p> 	<p><b>6</b> x1PC</p> 	<p><b>7</b> x1PC</p> 	<p><b>8</b> x1PC</p> 
<p><b>9</b> x1PC</p> 	<p><b>10</b> x1PC</p> 	<p><b>11</b> x2PCS</p> 	<p><b>12</b> x1PC</p> 
<p><b>13</b> x2PCS</p> 	<p><b>14</b> x1PC</p> 	<p><b>15</b> x1PC</p> 	<p><b>16</b> x1PC</p> 
<p><b>17</b> x1PC</p> 	<p><b>18</b> x1PC</p> 	<p><b>19</b> x1PC</p> 	<p><b>20</b> x1PC</p> 
<p><b>21</b> x1PC</p> 	<p><b>22</b> x2PCS</p> 	<p><b>23</b> x1PC</p> 	<p><b>24</b> x1PC</p> 

# PANEL LIST

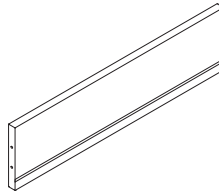
25 x4PCS



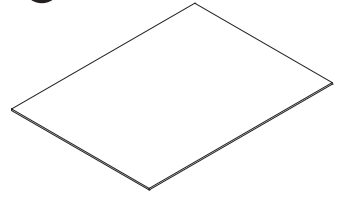
26 x4PS



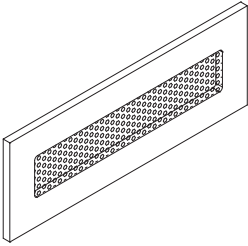
27 x4PCS



28 x4PCS



29 x4PCS



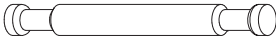


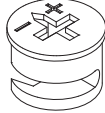

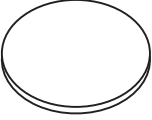

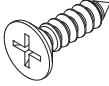
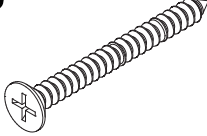
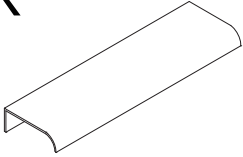
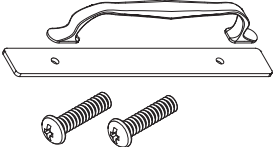
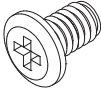
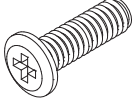
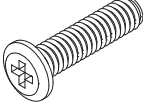
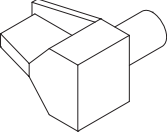
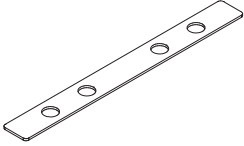
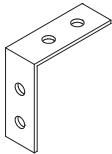
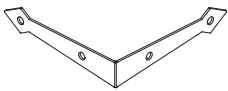
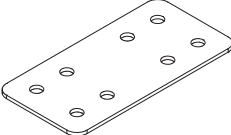
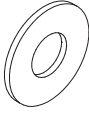
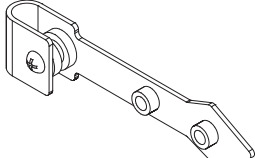
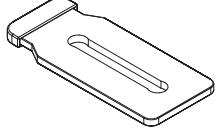
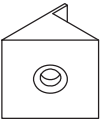
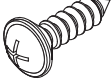
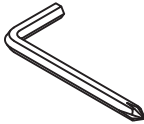
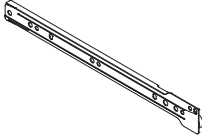
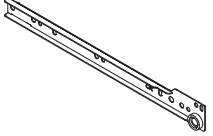
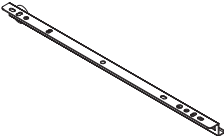
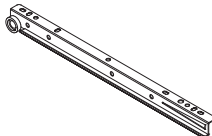
## NOTE

1. Panels are delicate items.

Please **avoid bumps and knocks** during installation and handling.

2. If you encounter any **significant** damage, please contact our after-sales team in a timely manner (through your order interface).

# HARDWARE LIST

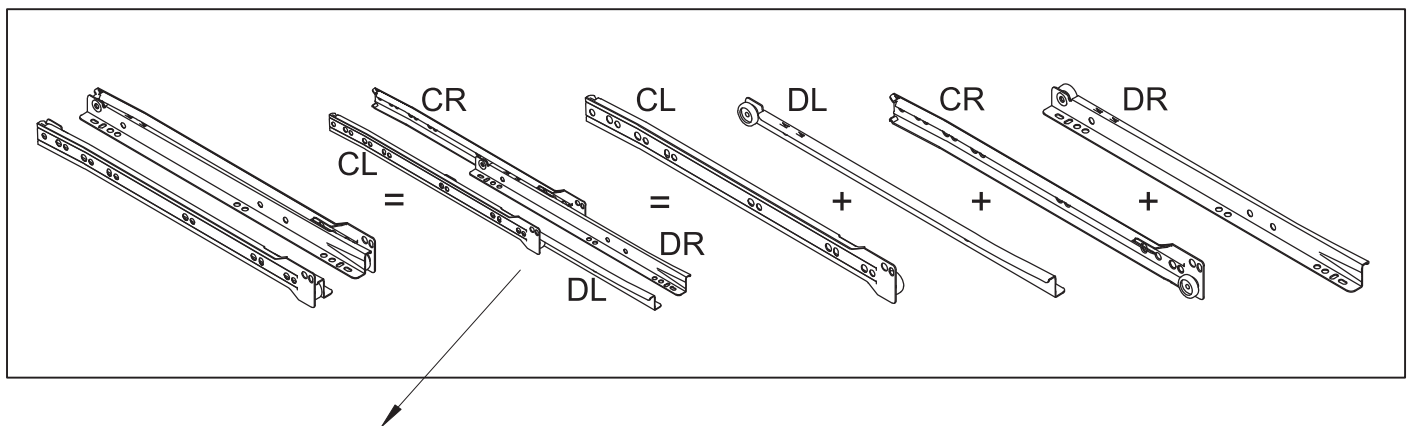
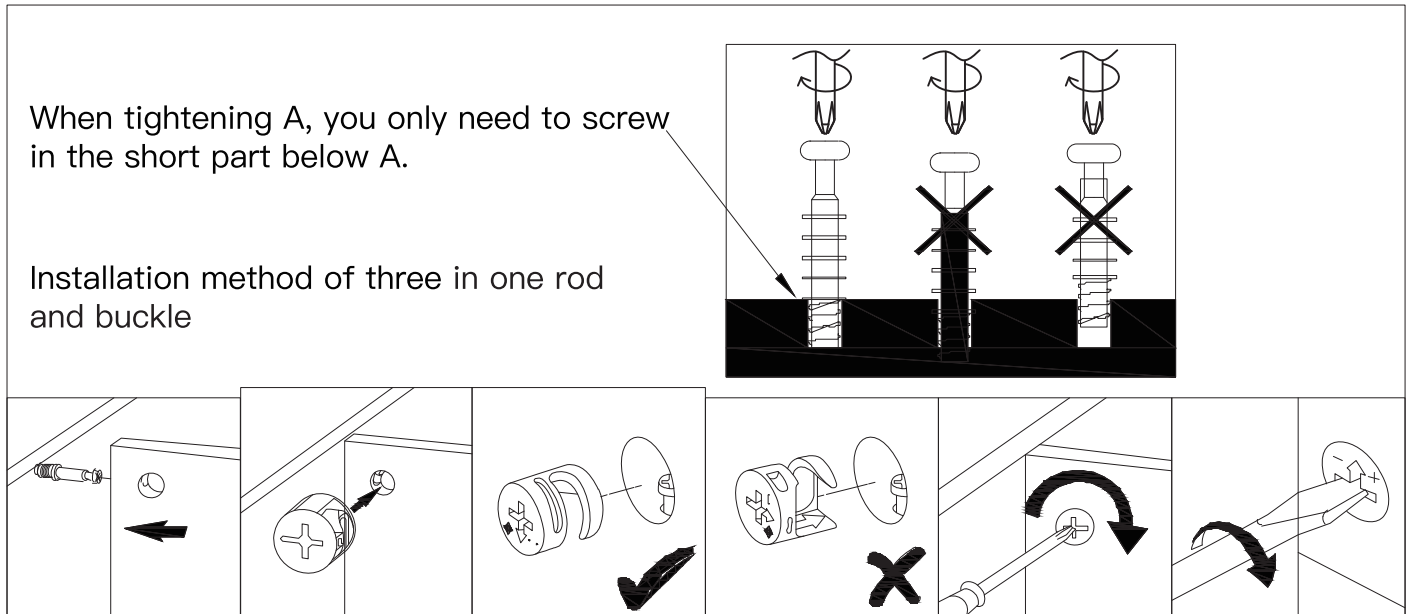
<p><b>A</b></p>  <p>x4PCS</p>	<p><b>B</b></p>  <p>8*60 x4PCS</p>	<p><b>C</b></p>  <p>x48PCS</p>	<p><b>D</b></p>  <p>15*9.5 x56PCS</p>	<p><b>E</b></p>  <p>6*30 x28PCS</p>
<p><b>F</b></p>  <p>x56PCS</p>	<p><b>G</b></p>  <p>ST3.5*12 x40PCS</p>	<p><b>H</b></p>  <p>ST3.5*14 x44PCS</p>	<p><b>J</b></p>  <p>ST3.5*35 x22PCS</p>	<p><b>K</b></p>  <p>x4PCS</p>
<p><b>L</b></p>  <p>x2PCS</p>	<p><b>M</b></p>  <p>M6*12 x12PCS</p>	<p><b>N</b></p>  <p>M6*20 x8PCS</p>	<p><b>O</b></p>  <p>M6*25 x4PCS</p>	<p><b>P</b></p>  <p>x8PCS</p>
<p><b>Q</b></p>  <p>x1PC</p>	<p><b>R</b></p>  <p>x4PCS</p>	<p><b>S</b></p>  <p>x2PCS</p>	<p><b>T</b></p>  <p>x1PC</p>	<p><b>U</b></p>  <p>x8PCS</p>
<p><b>V</b></p>  <p>x4PCS</p>	<p><b>W</b></p>  <p>x4PCS</p>	<p><b>X</b></p>  <p>x12PCS</p>	<p><b>Y</b></p>  <p>ST3.5*12 x8PCS</p>	<p><b>Z</b></p>  <p>x1PC</p>
<p><b>CL</b></p>  <p>x4PCS</p>	<p><b>CR</b></p>  <p>x4PCS</p>	<p><b>DL</b></p>  <p>x4PCS</p>	<p><b>DR</b></p>  <p>x4PCS</p>	

## NOTE:

All slide rail numbers are engraved on the accessories.  
Please organize these slide rails before installation.

## TIPS

1. When installing the product, please **use a soft surface** (such as carpet or cardboard) to avoid scratching or damaging the product's surface.
2. Please **use a manual screwdriver** instead of an electric screwdriver when possible. A manual screwdriver allows for better control of screw tightness.
3. **Do not use any glue.**
4. The product is **unstable before assembly**. Please pay attention to the installation sequence and align all screws and screw holes before tightening.
5. The structure of this product is **not suitable for climbing by children**.



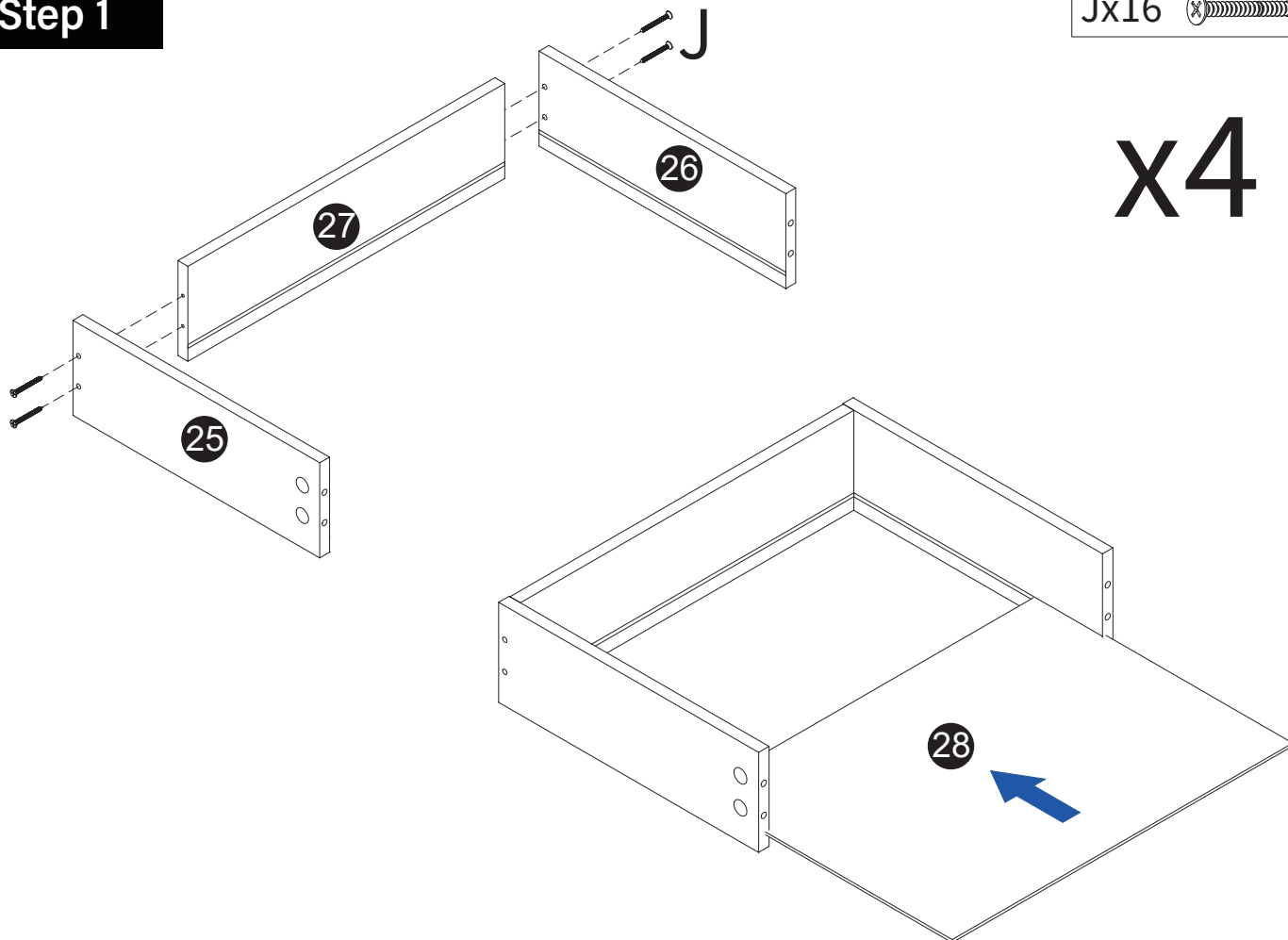
This demonstrates the connection between the drawer's rail and the cabinet's installed rail after the entire installation is complete.

### Tips:

You only need to **differentiate** between the drawer rails DL and DR, which need to be connected to the cabinet's CL and CR, respectively. That is, **DL pairs with CL, and DR pairs with CR**. This will help you distinguish the directions.

# Step 1

Jx16 



# x4

# Step 2

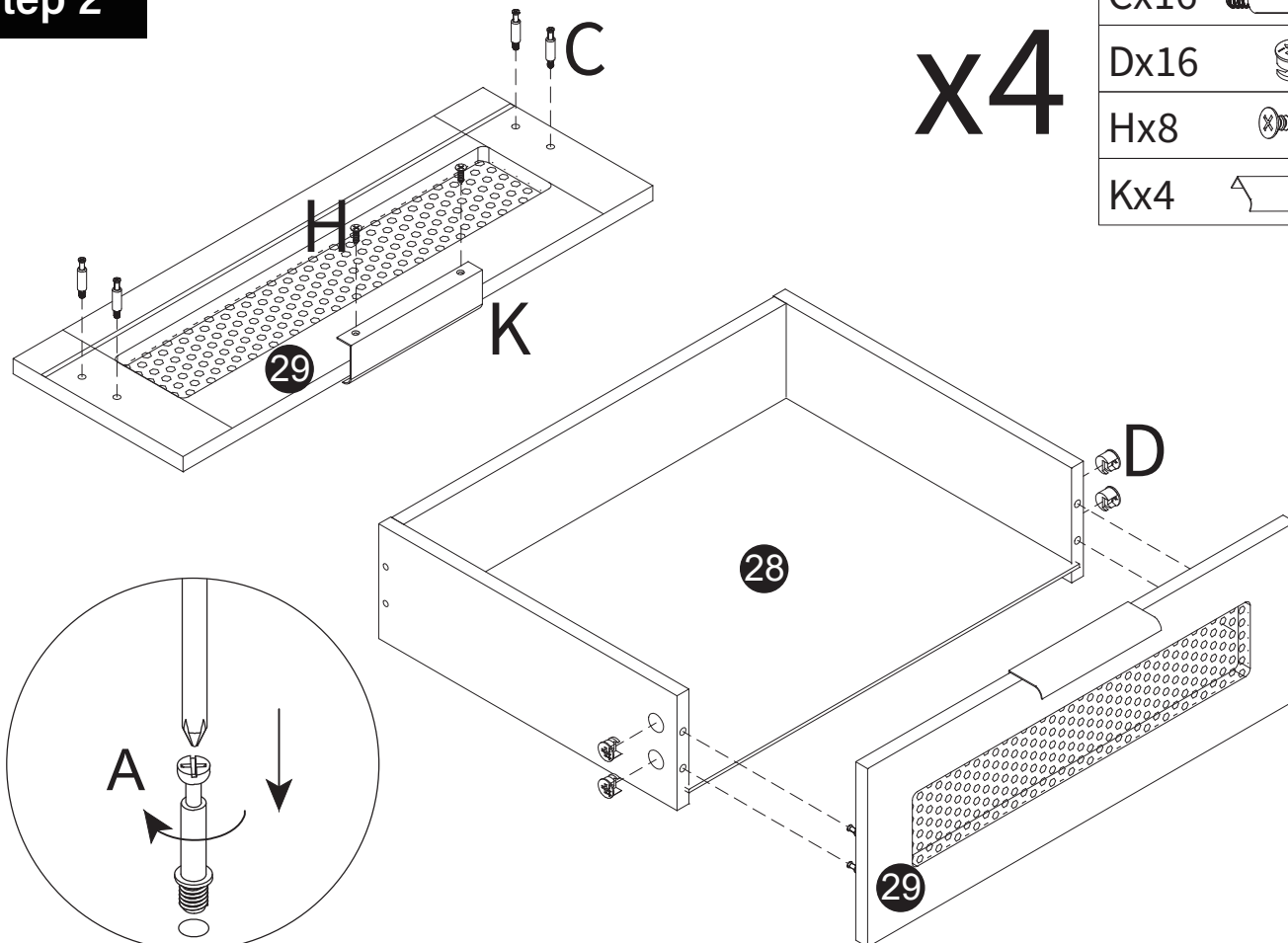
Cx16 

Dx16 

Hx8 

Kx4 

# x4



### Step 3

Gx16



DL



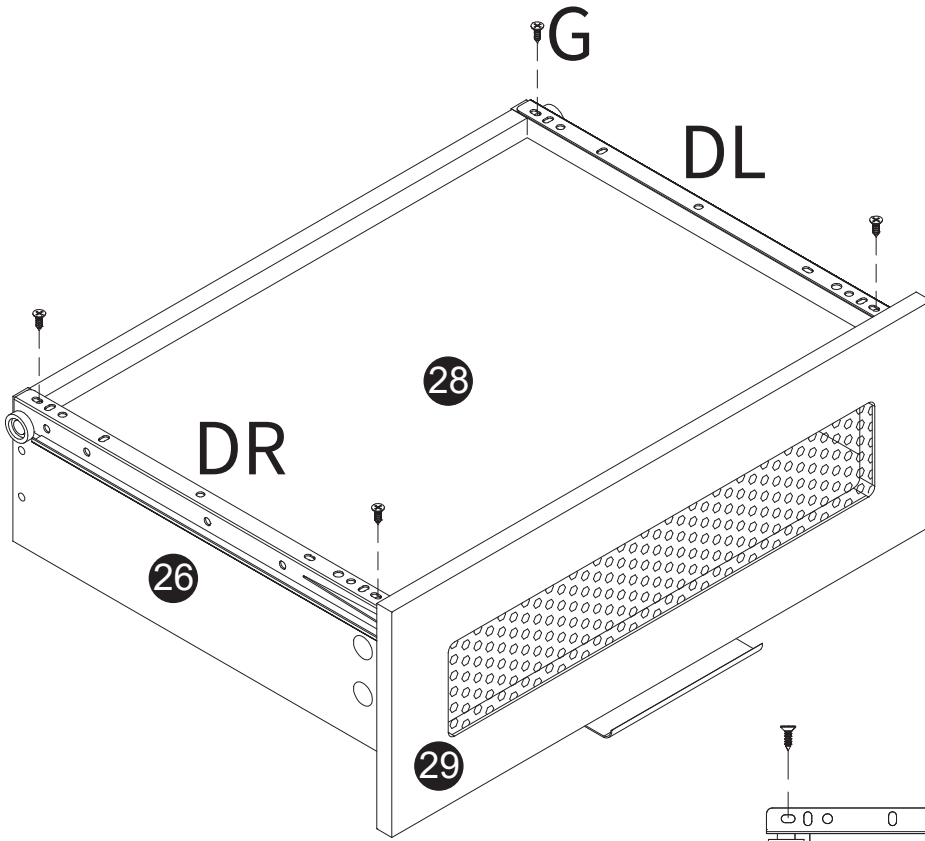
DLx4



DRx4

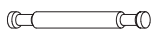


x4

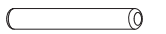


### Step 4

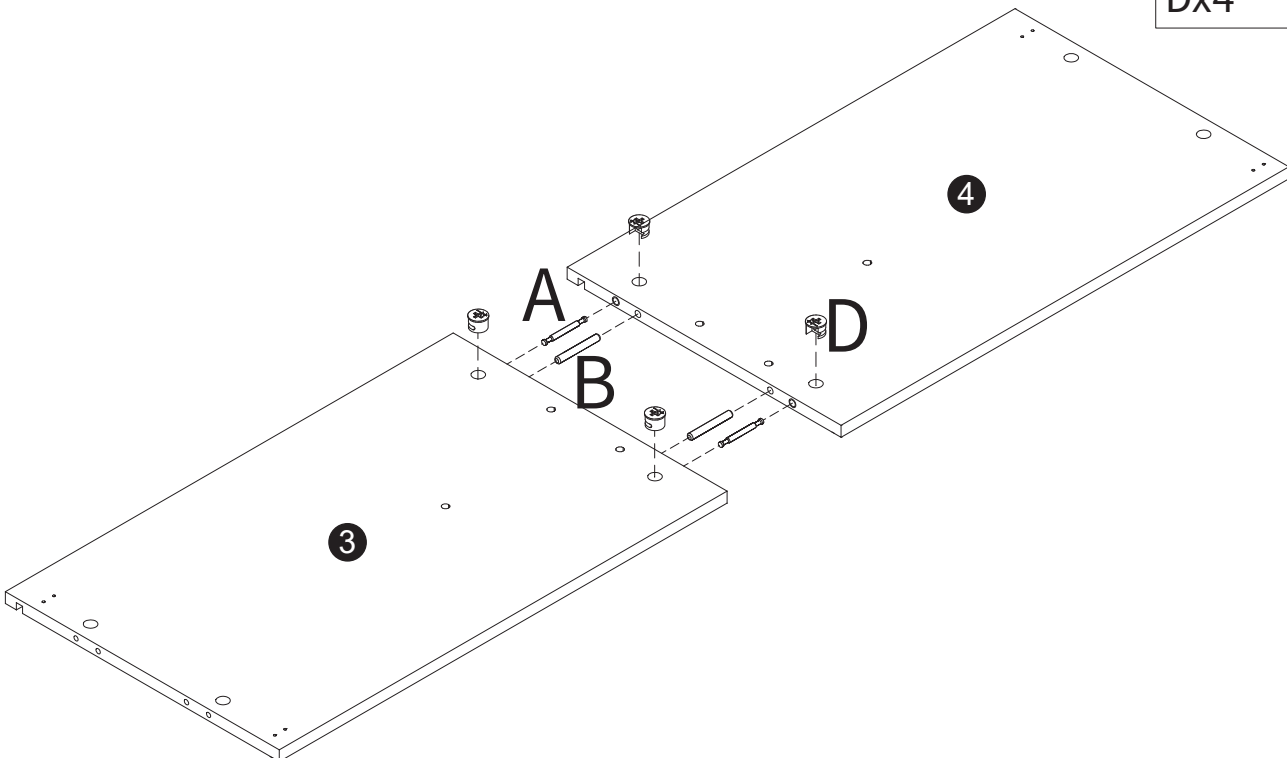
Ax2



Bx2

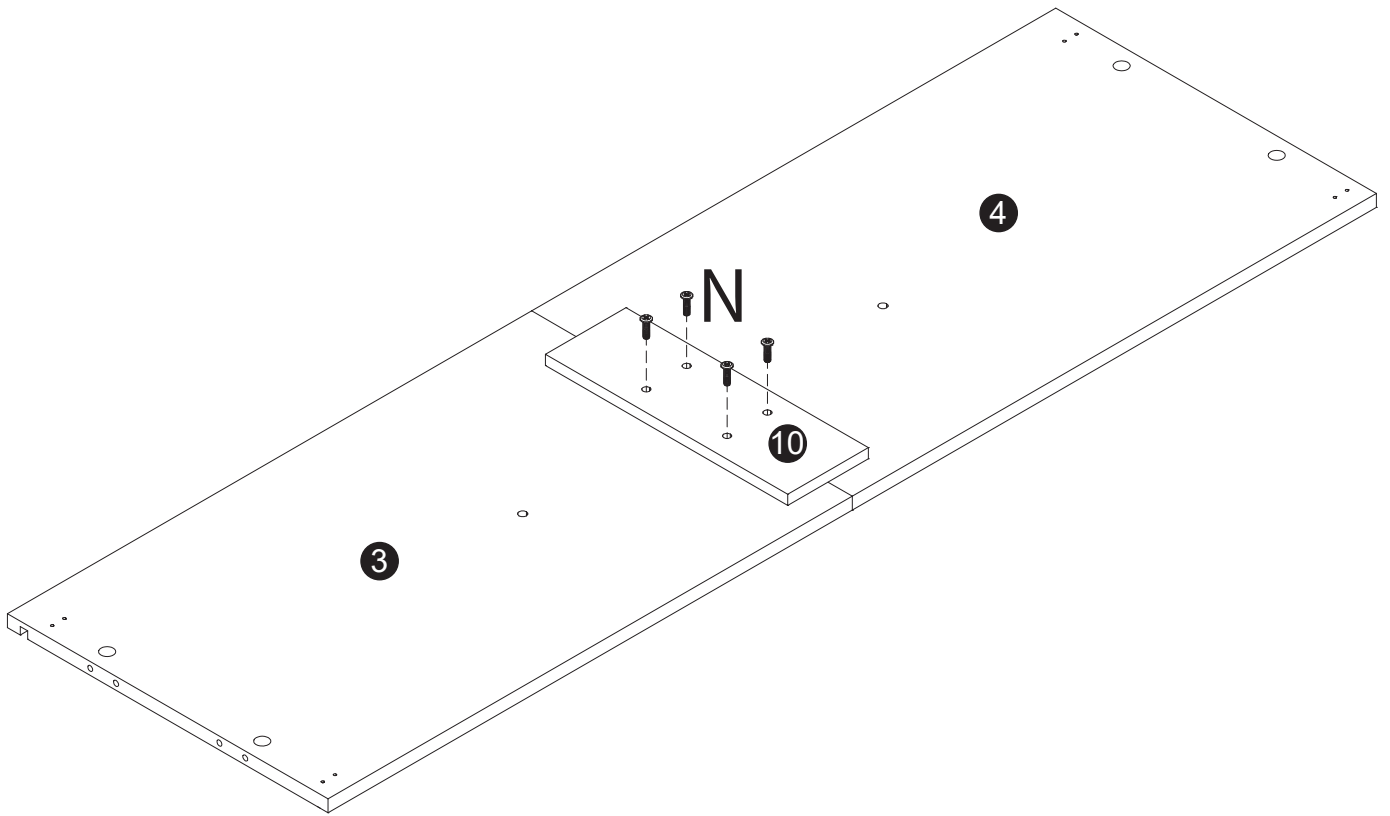


Dx4



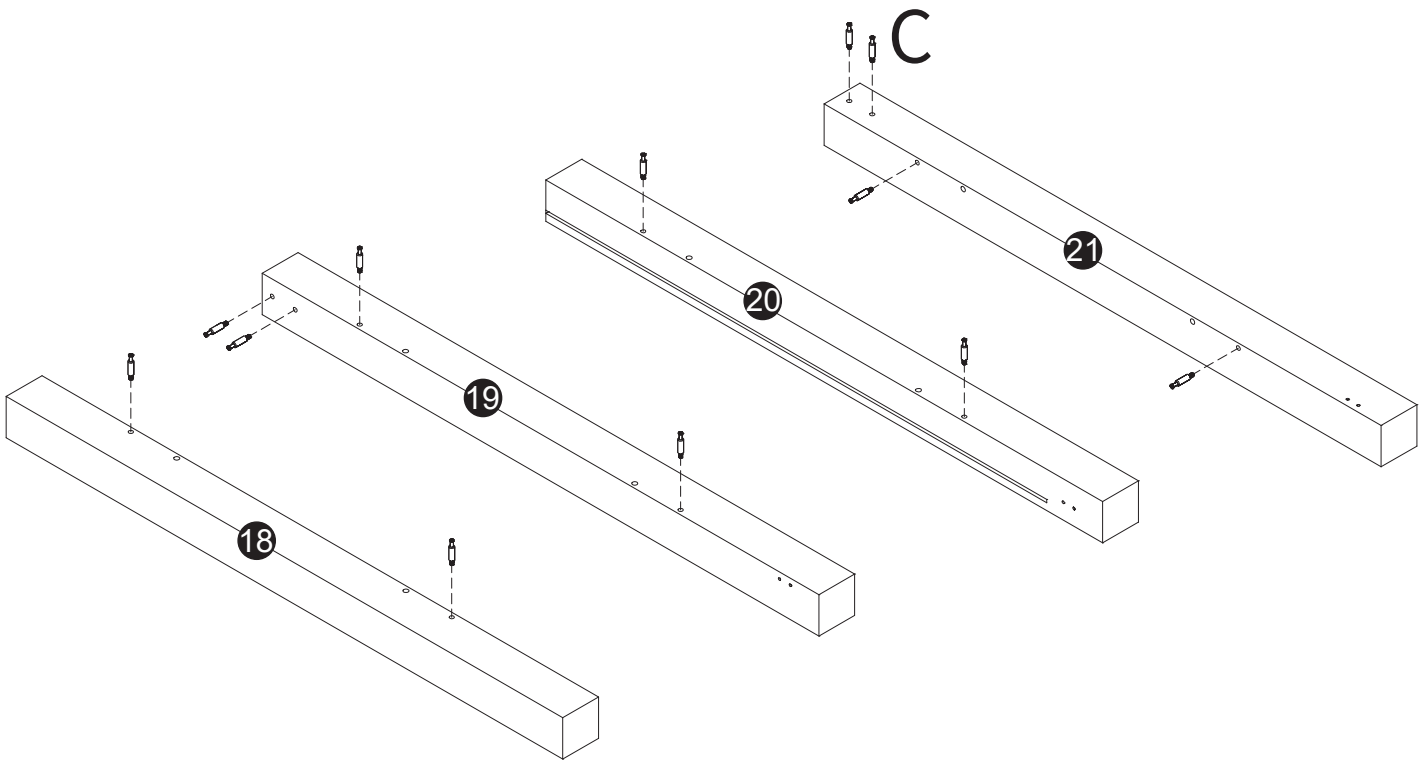
# Step 5

Nx4



# Step 6

Cx12

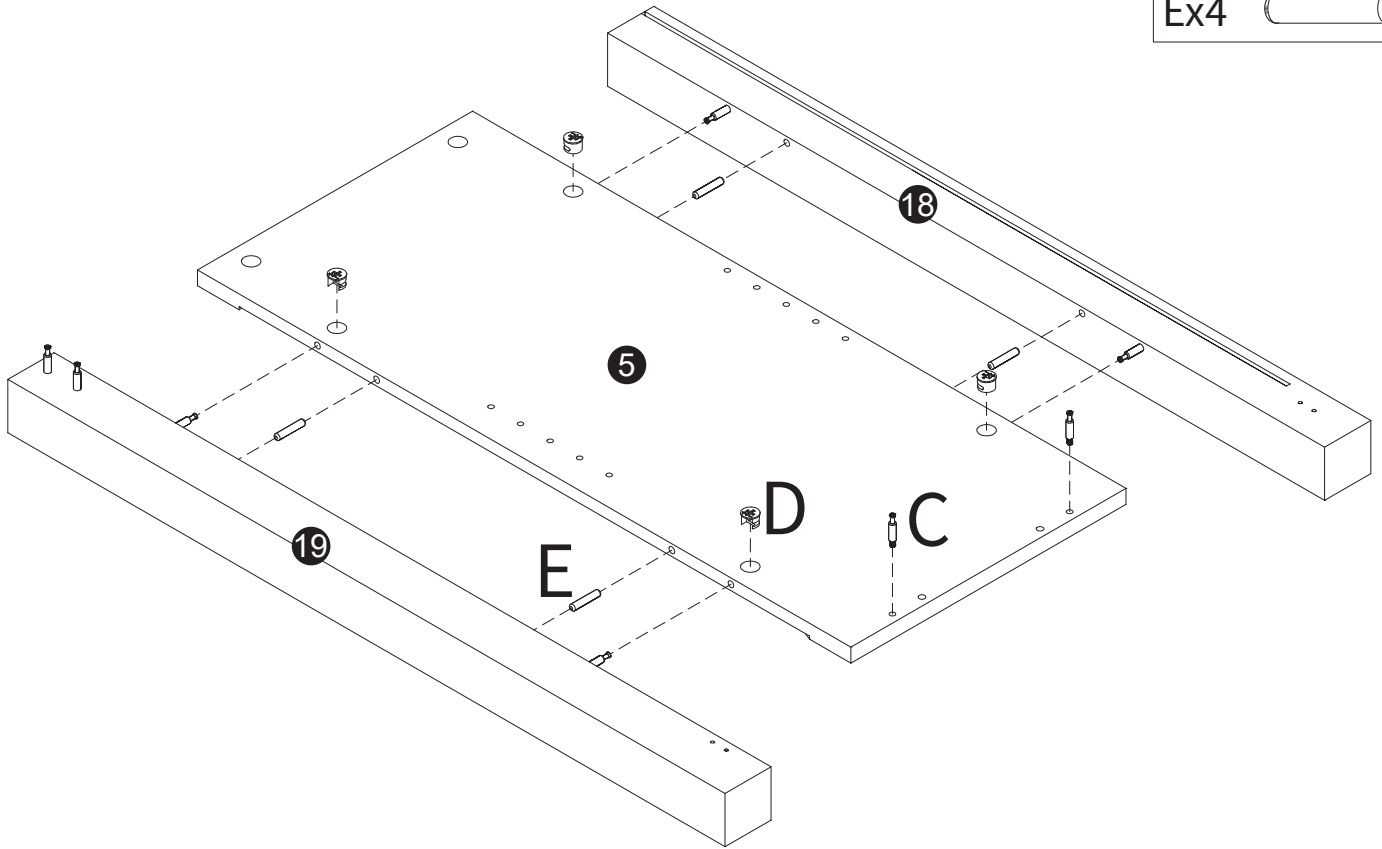


# Step 7

Cx2 

Dx4 


Ex4 

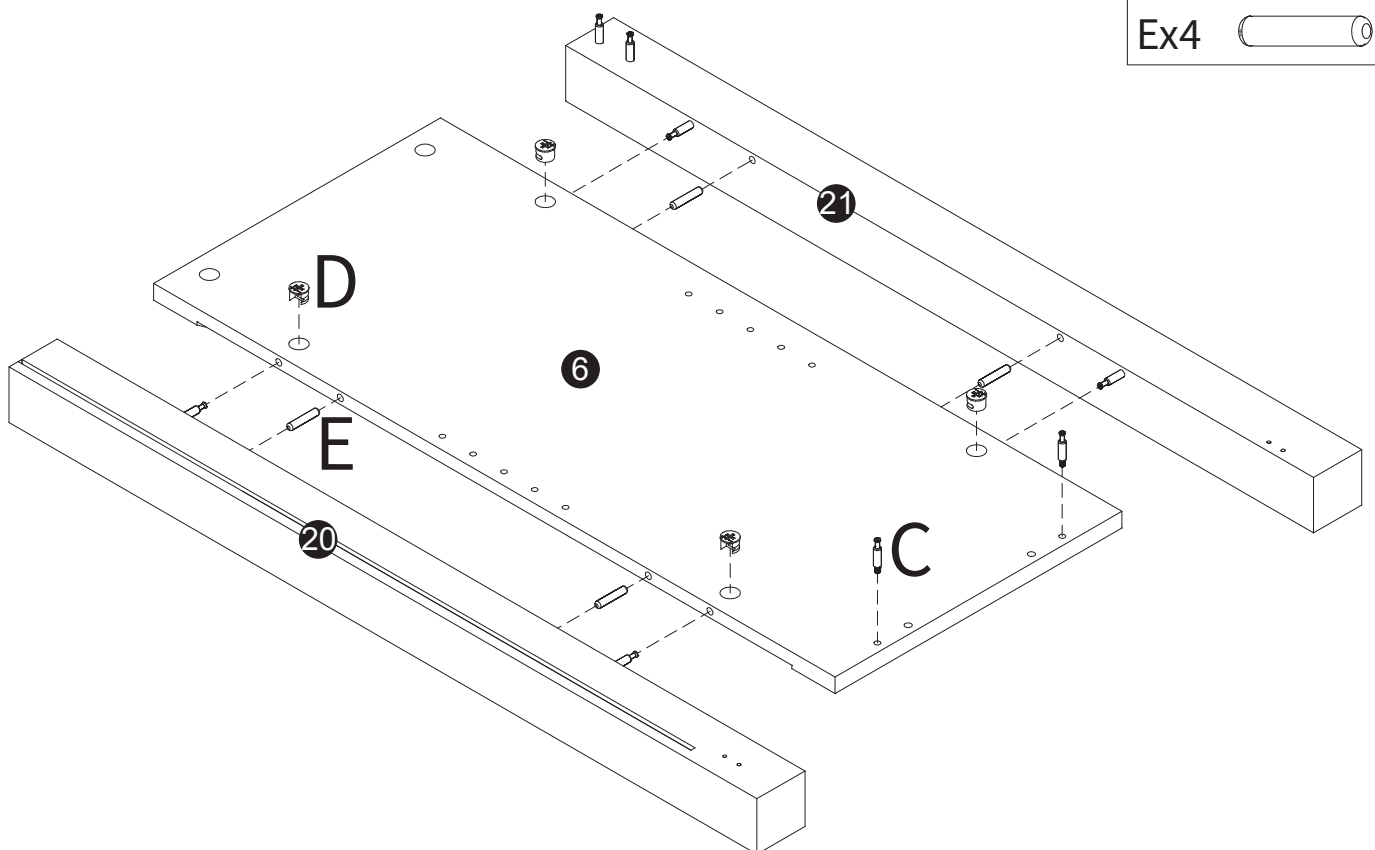


# Step 8

Cx2 

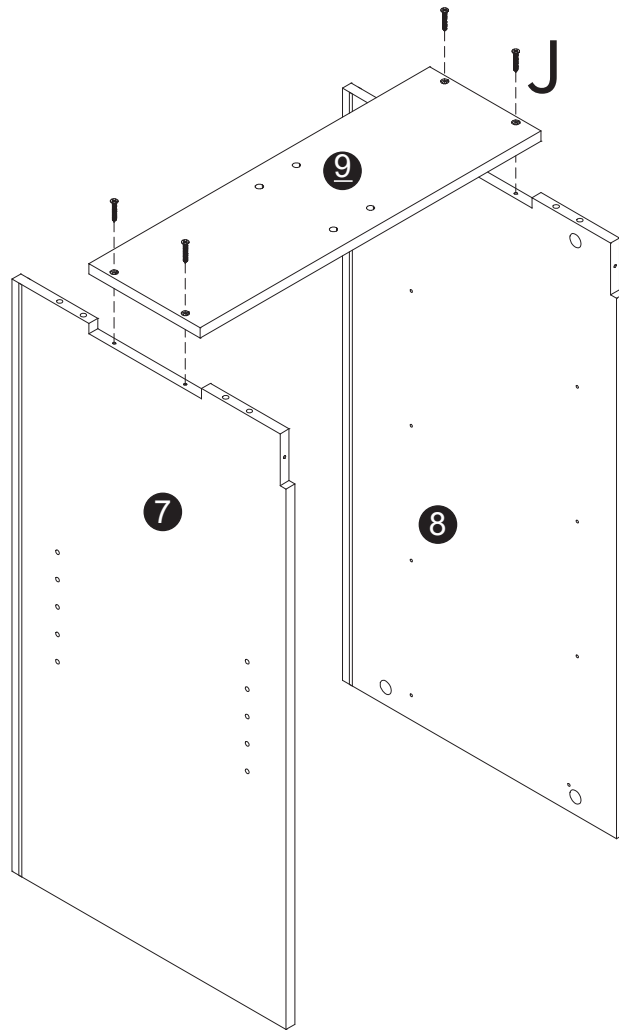
Dx4 

Ex4 



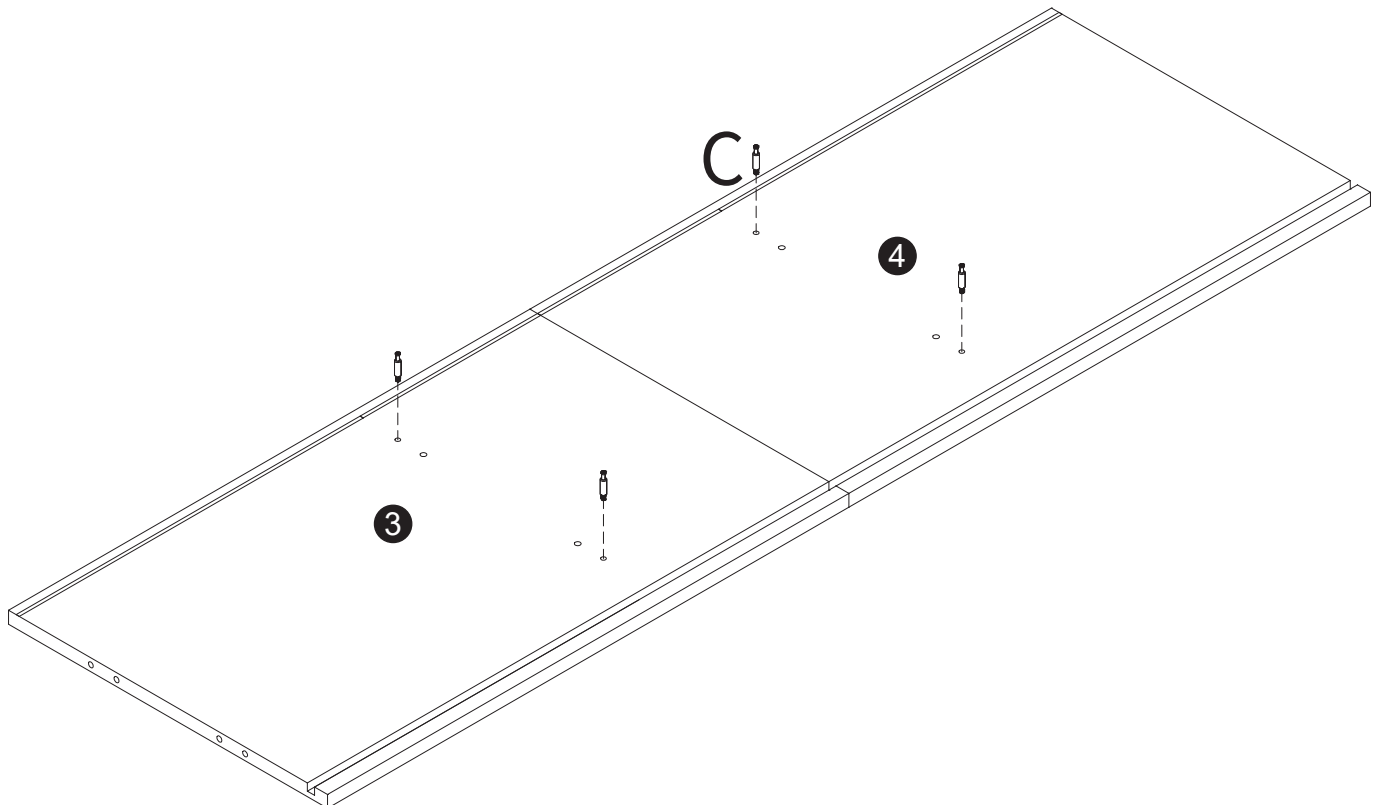
# Step 9

Jx4 



# Step 10

Cx4 

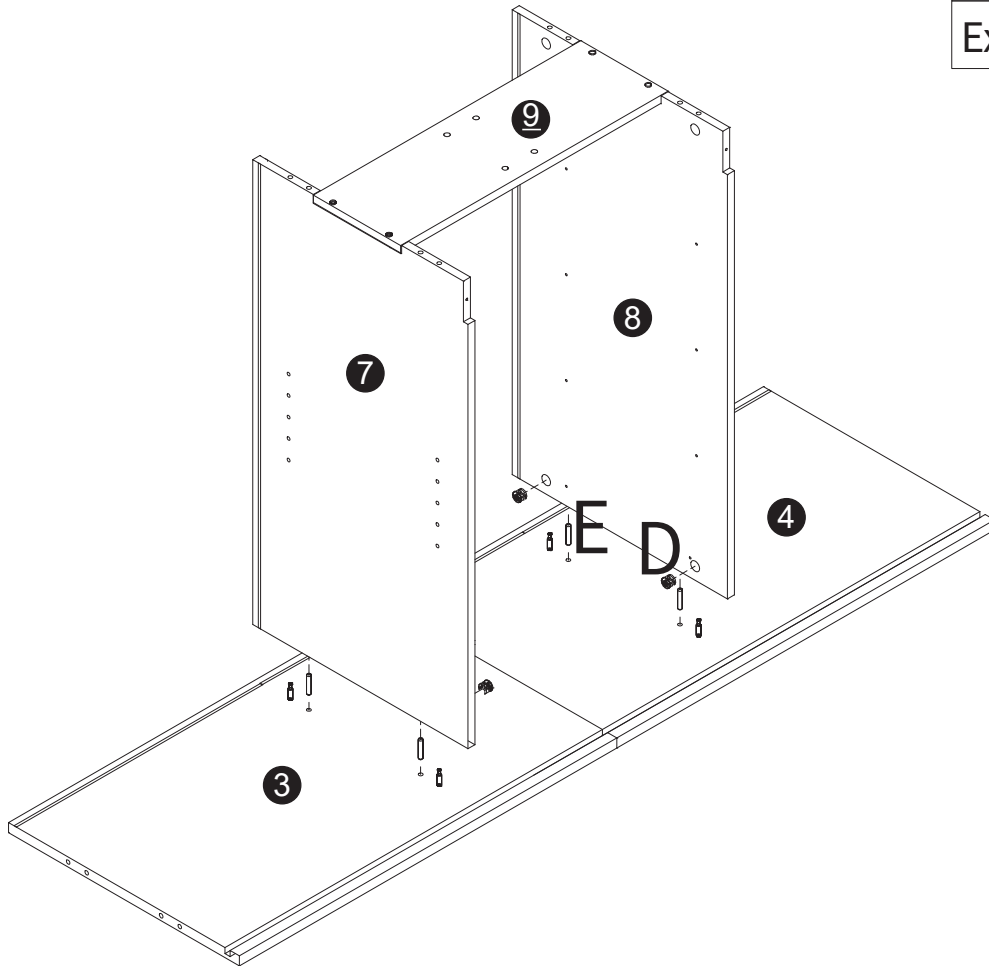


## Step 11

Dx4



Ex4

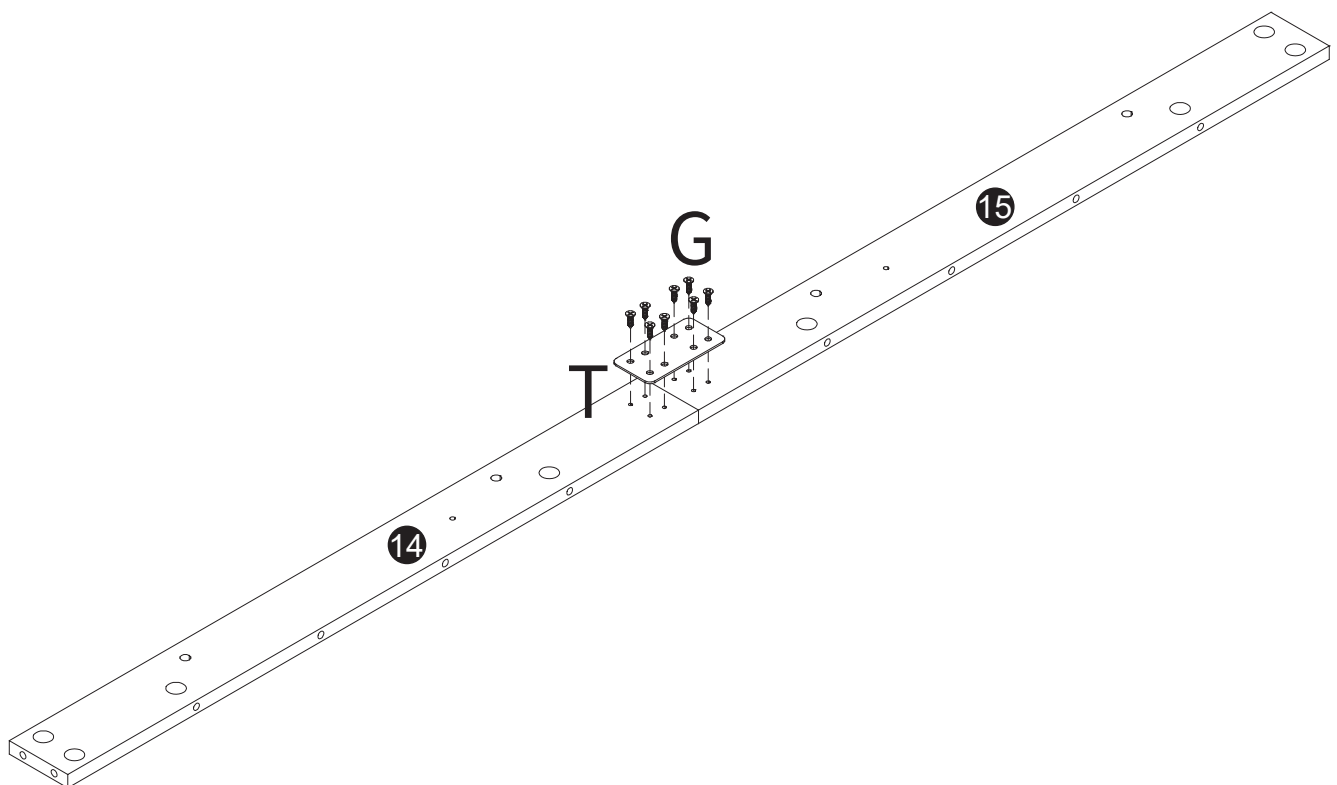


## Step 12

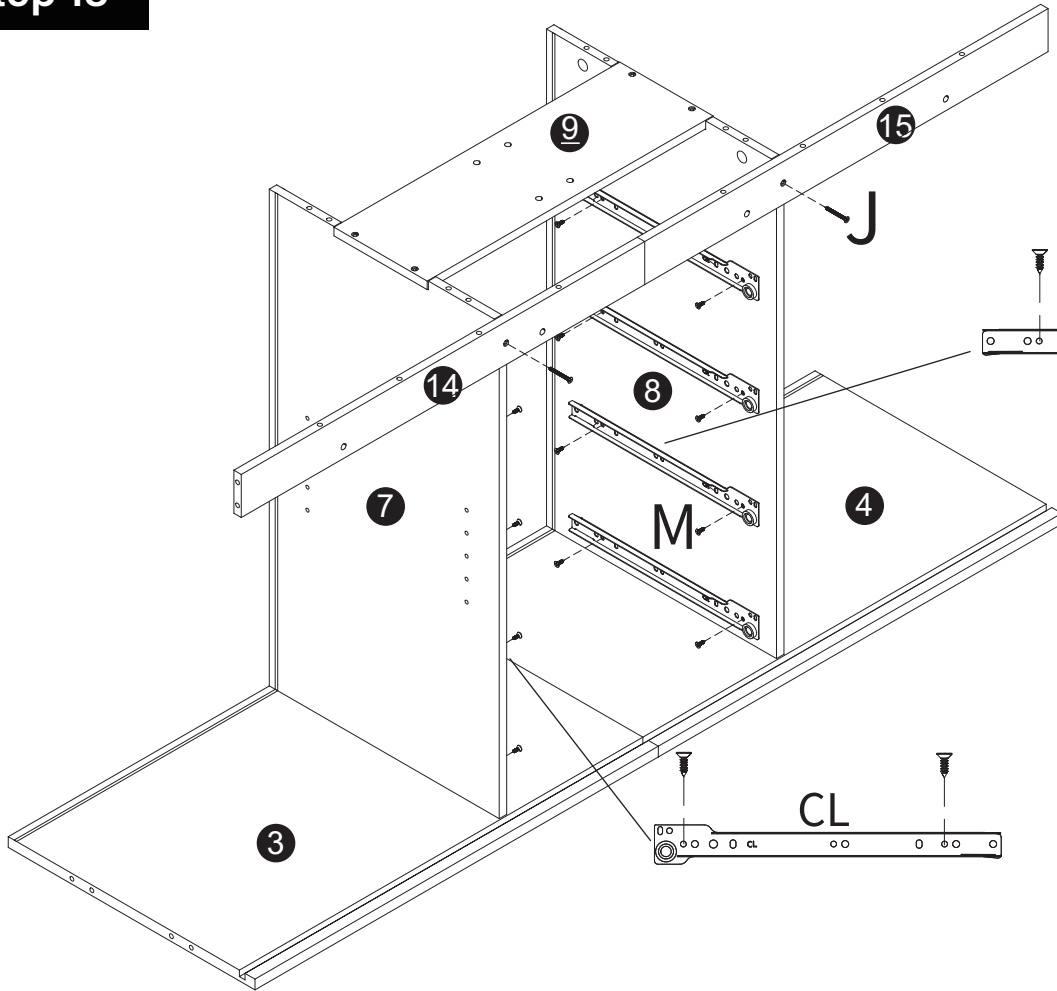
Gx8



Tx1



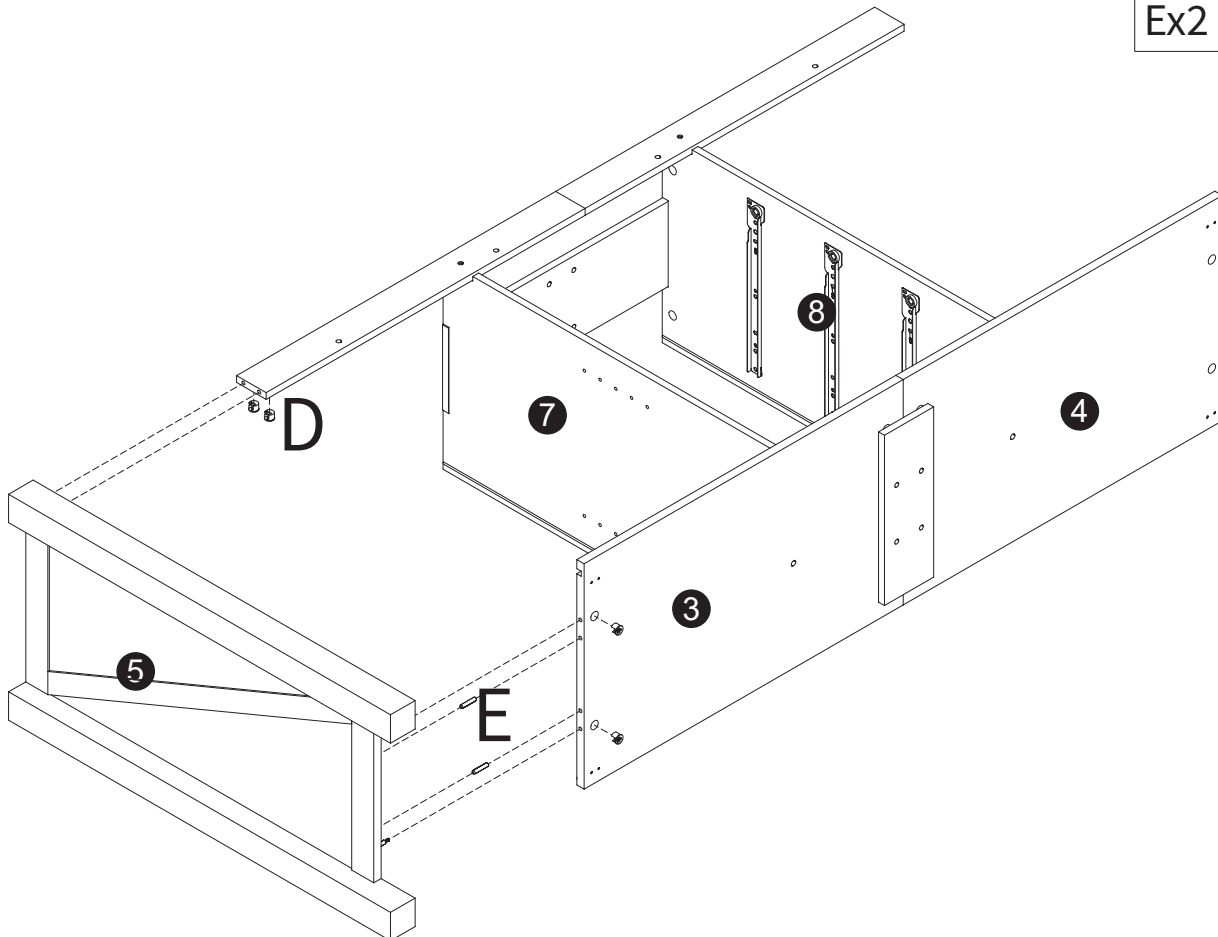
# Step 13



- Jx2
- Gx16
- CLx4
- CRx4





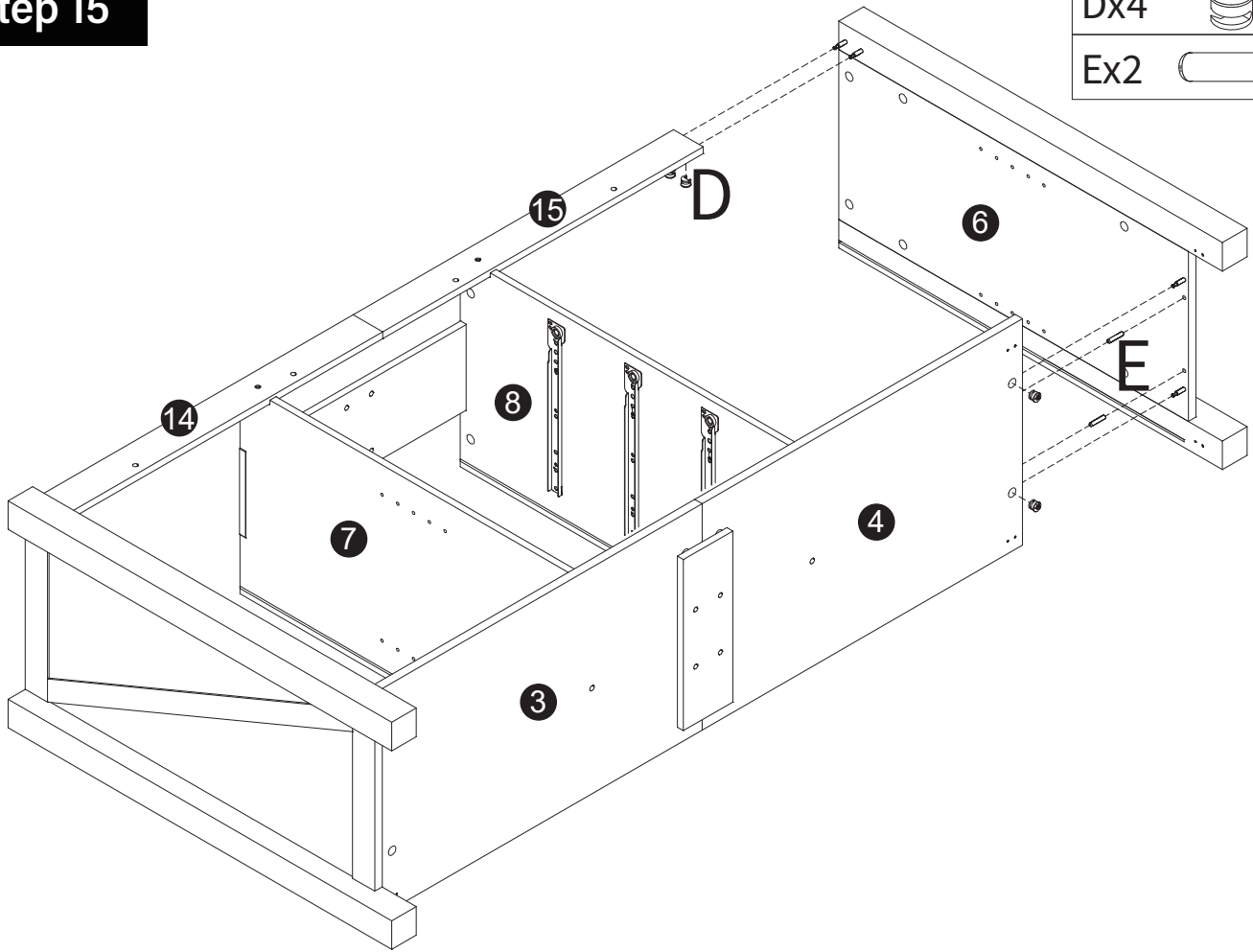
# Step 14





- Dx4
- Ex2

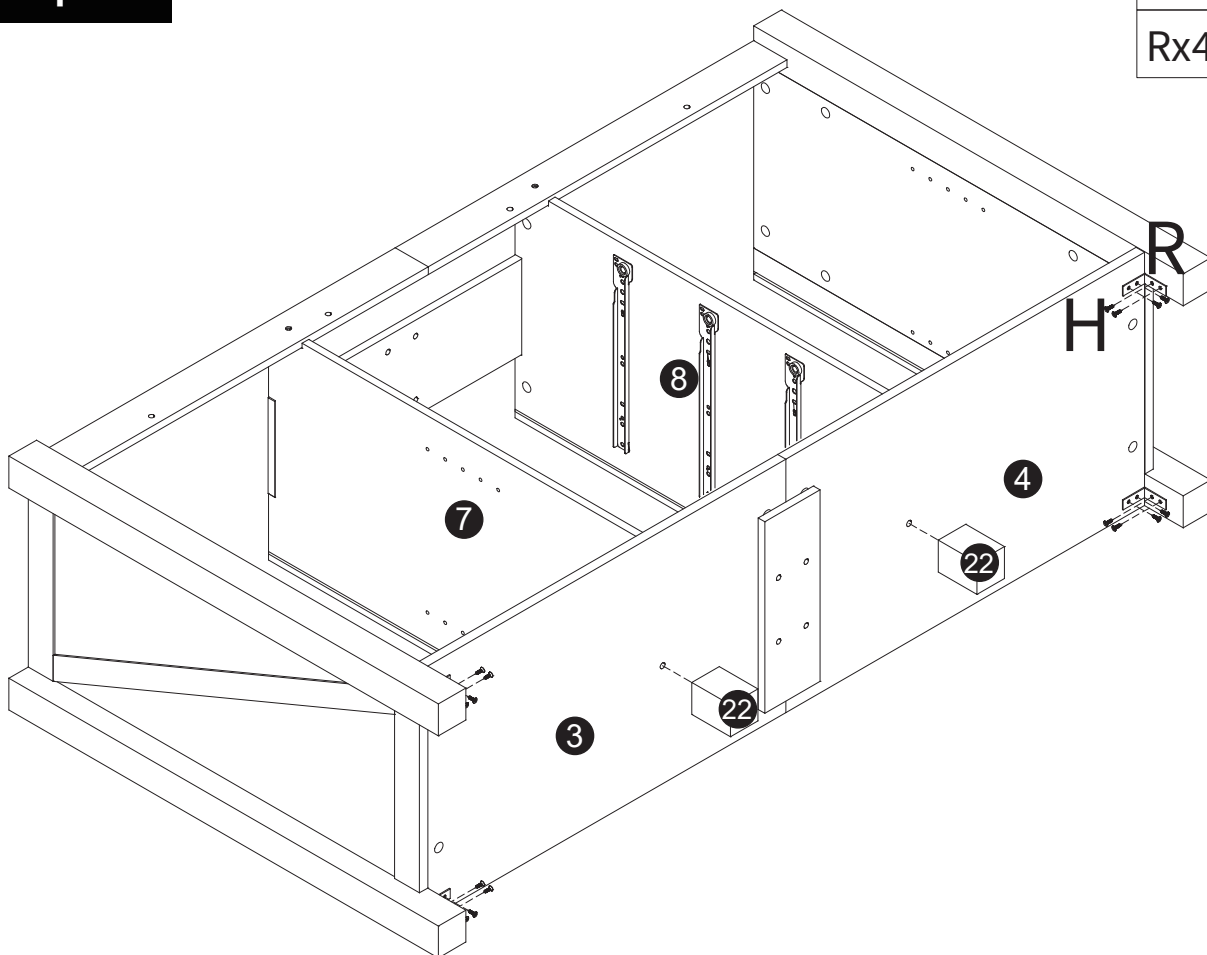
# Step 15

- Dx4 
- Ex2 



# Step 16

- Hx16 
- Rx4 

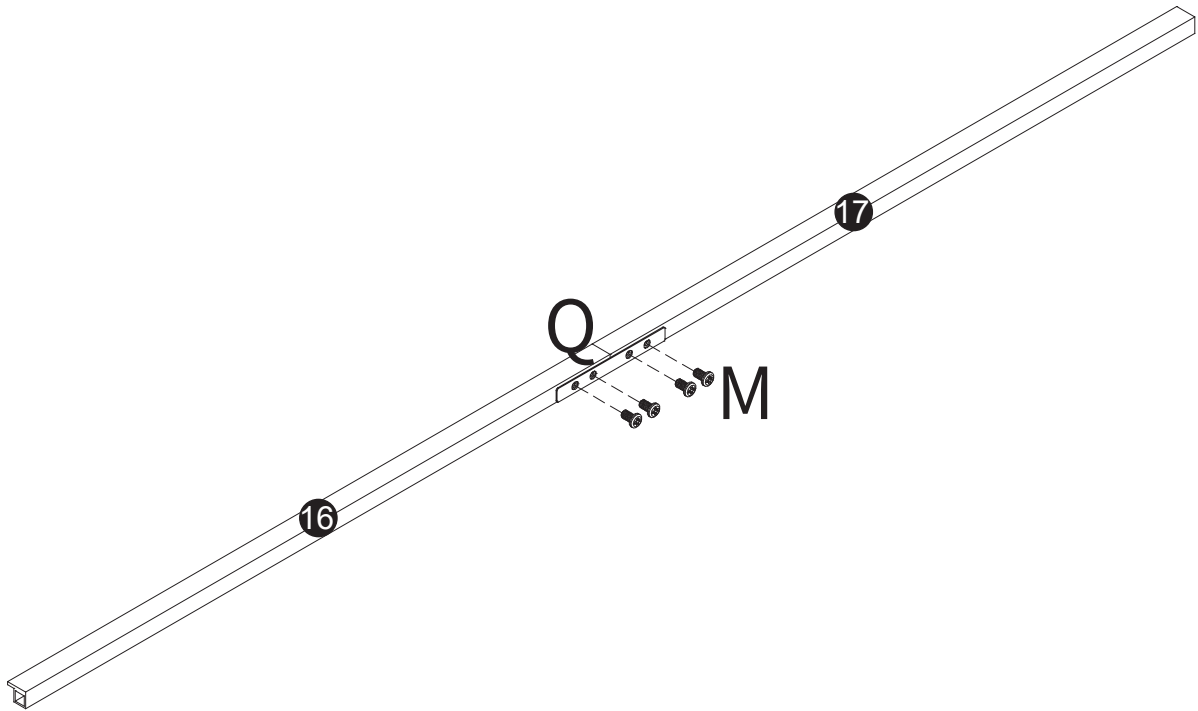


# Step 17

Mx4

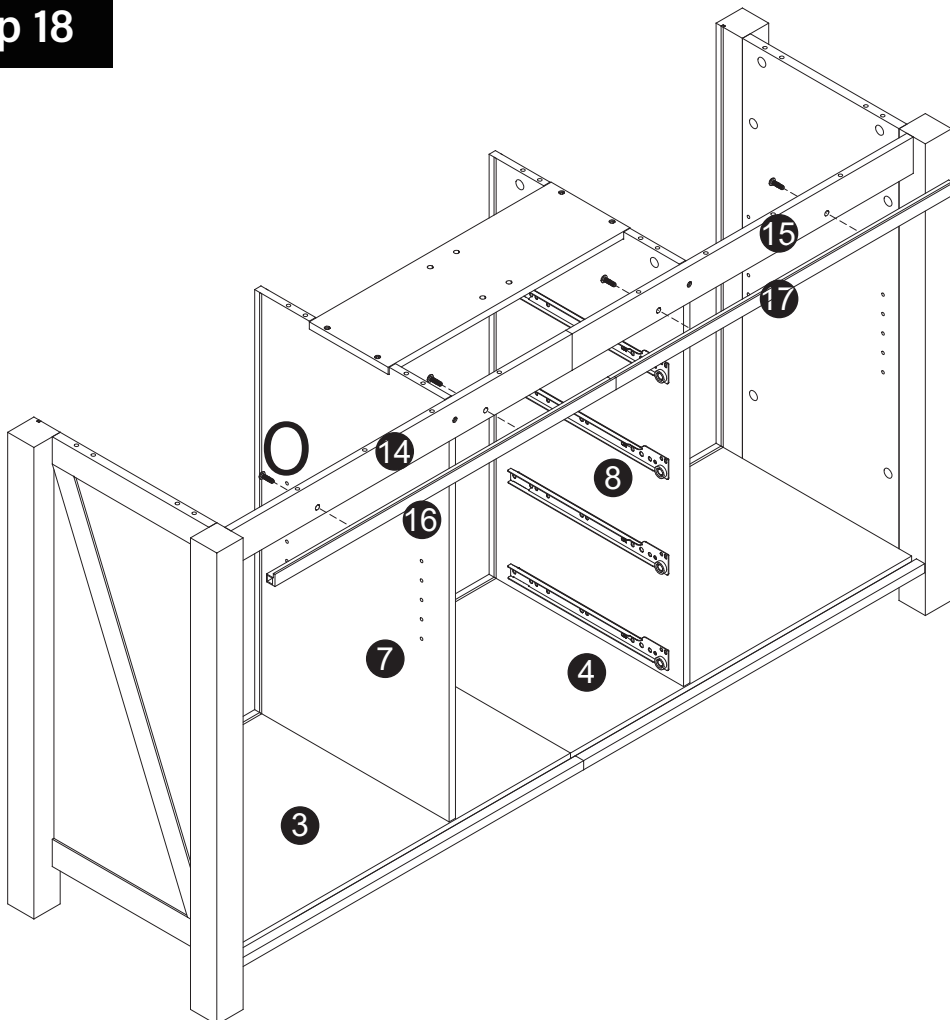


Qx1

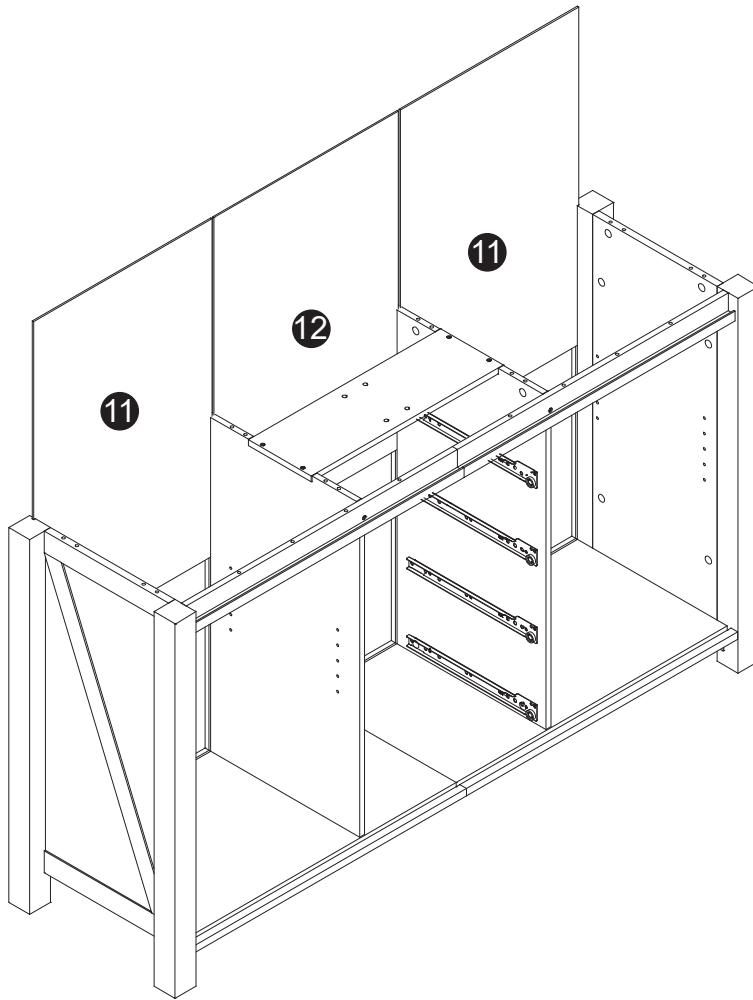


# Step 18

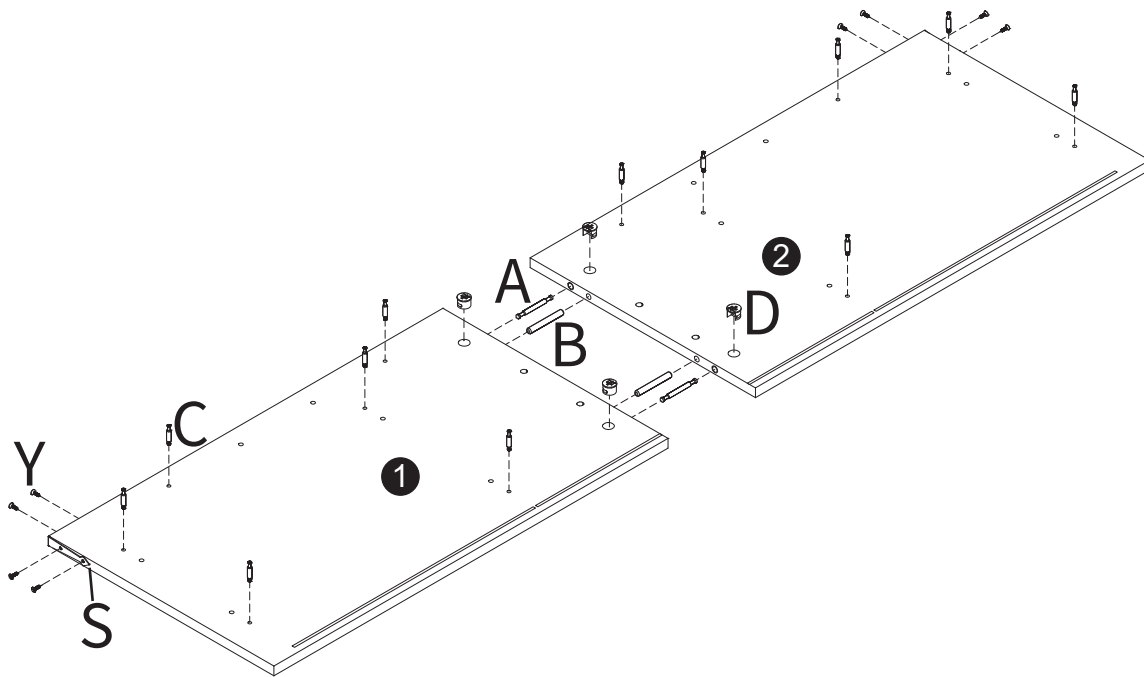
Ox4

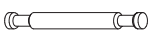
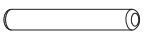
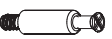

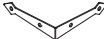



## Step 19

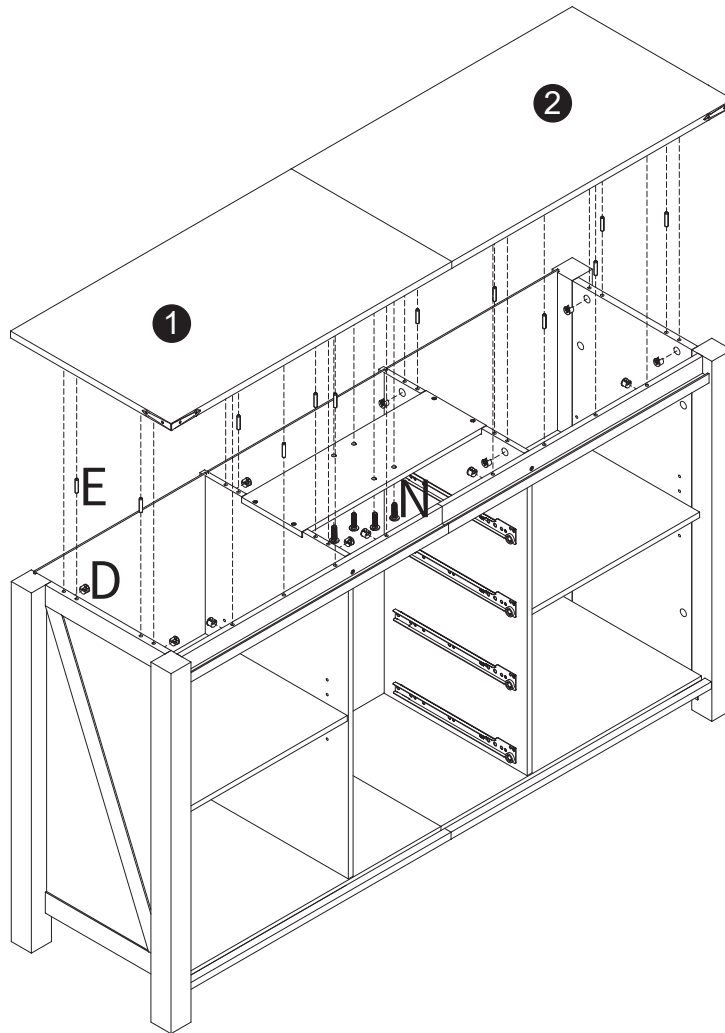





## Step 20



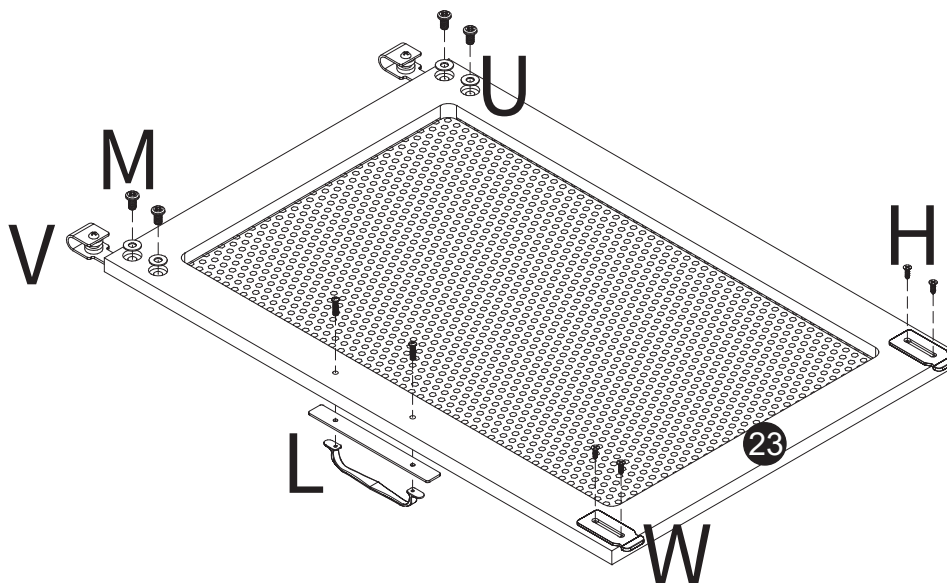
Ax2	
Bx2	
Cx12	
Dx4	
Sx2	
Yx8	







## Step 21



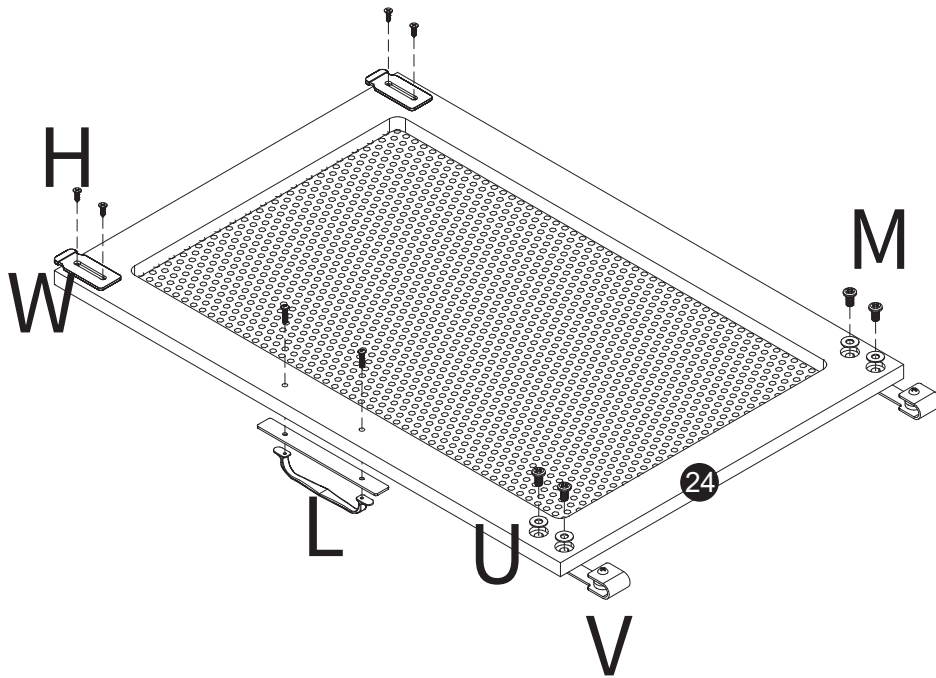
Dx12	
Ex12	
Nx4	

## Step 22



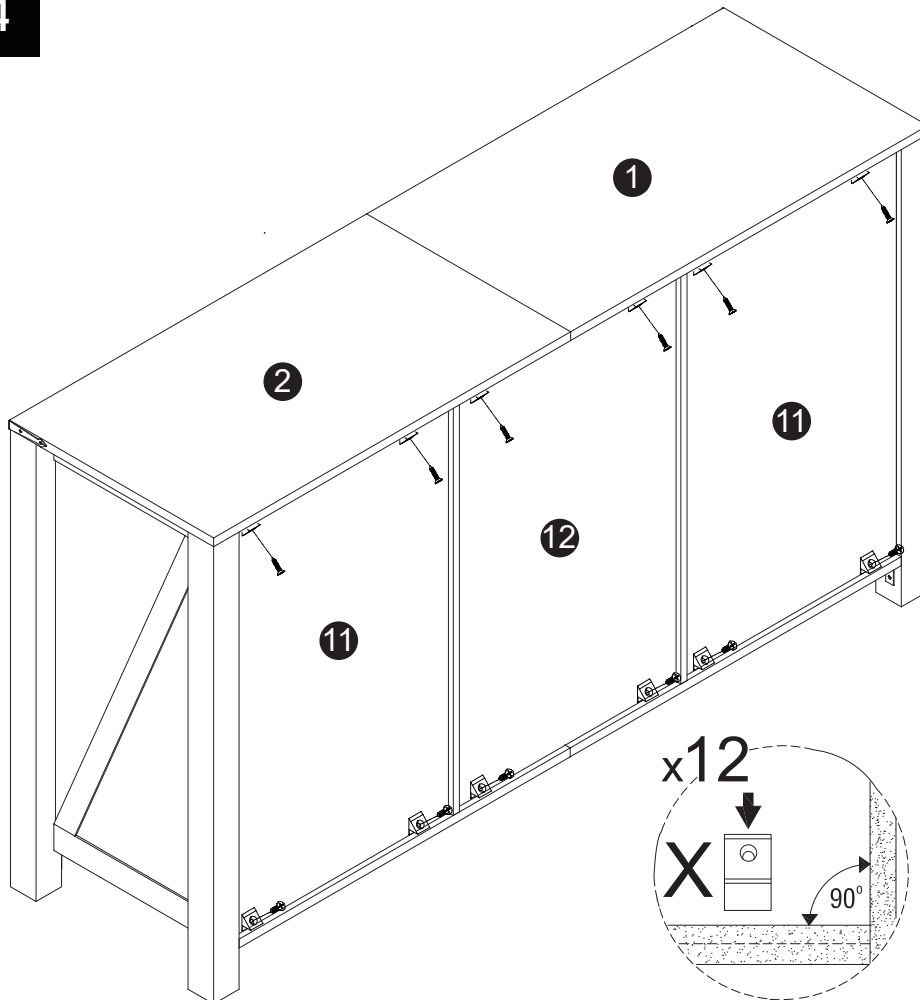
Hx4	
Lx1	
Mx4	
Ux4	
Vx2	
Wx2	

## Step 23



Hx4	
Lx1	
Mx4	
Ux4	
Vx2	
Wx2	

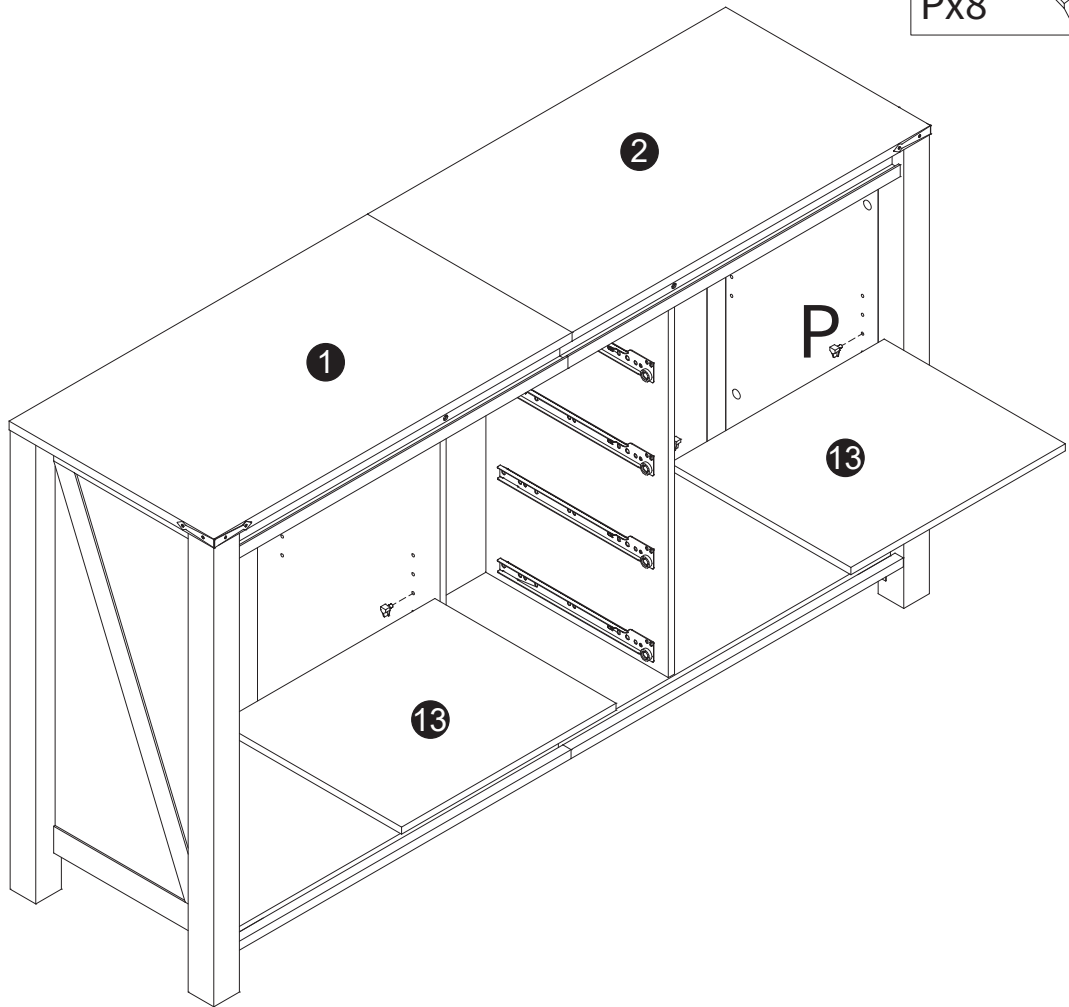
## Step 24



Hx12	
Xx12	

# Step 25

Px8



# Step 26

Fx56

