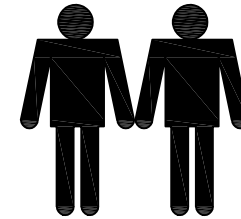


# Assembly Instruction

Note:

1. Should be assembled on flat ground to keep balance.
2. Before completing the installation, do not tighten the screws.

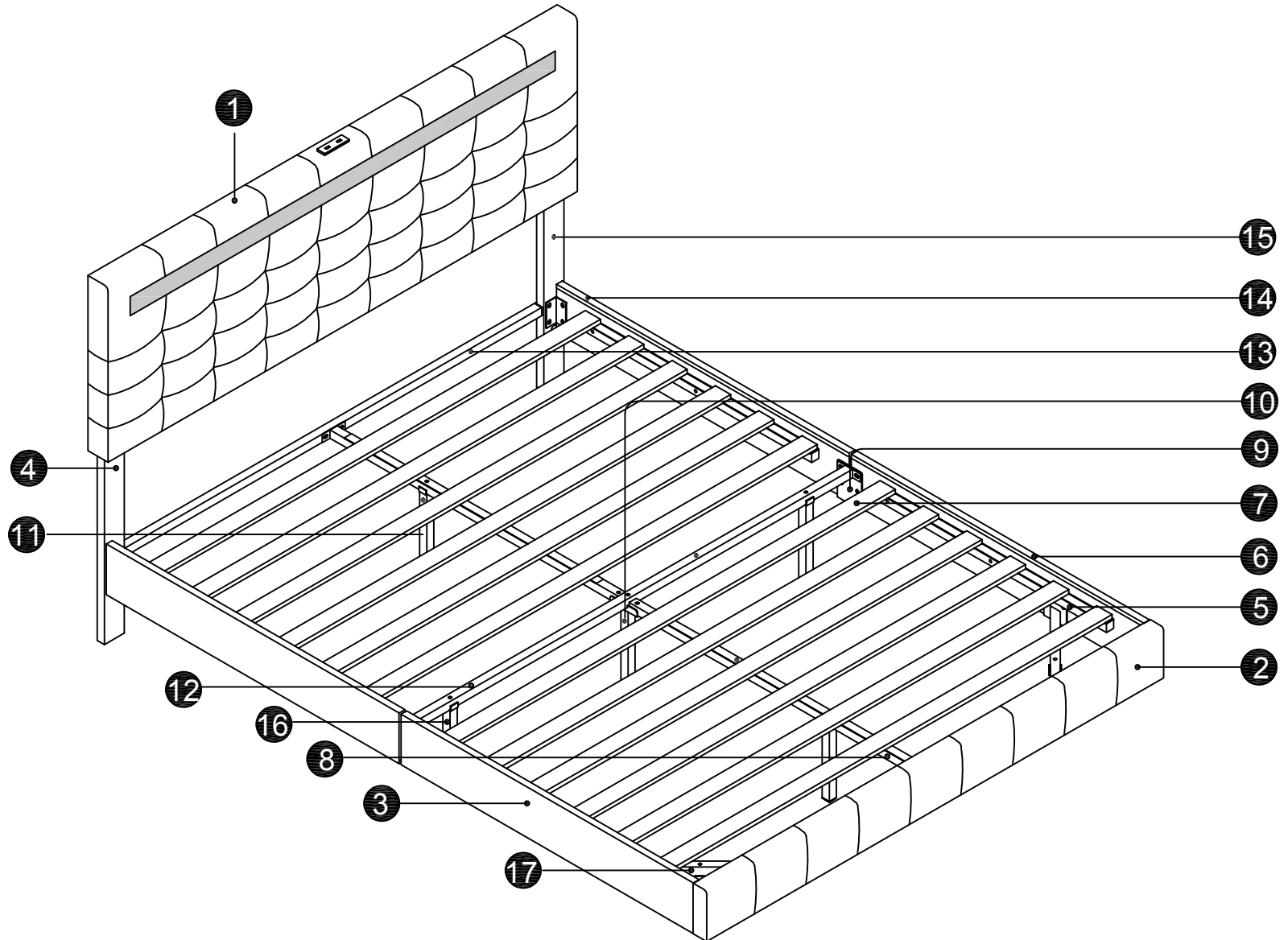


You must need  
two people to install !!



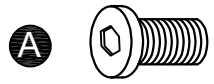
Before starting the  
assembly, you must  
read the whole  
manual and follow  
the instructions

# Assembly Instruction

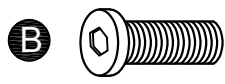


# Assembly Instruction

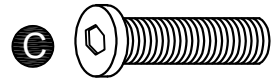
## Hardware Parts



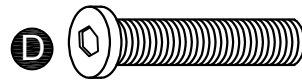
A 18mm M8 Bolt x 20



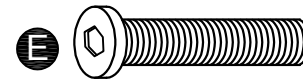
B 25mm M8 Bolt x 18



C 40mm M8 Bolt x 18



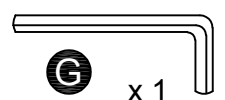
D 50mm M8 Bolt x 5



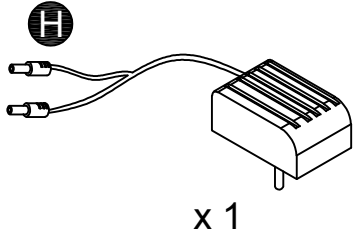
E 60mm M8 Bolt x 2



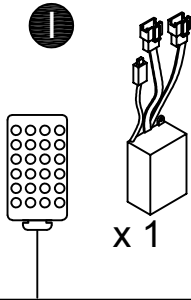
F Flat washer x 6



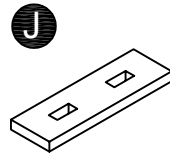
G x 1



H x 1



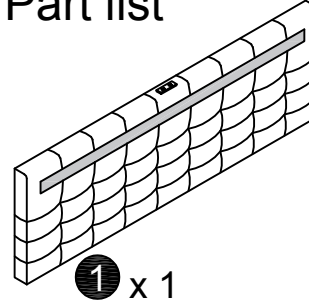
I x 1



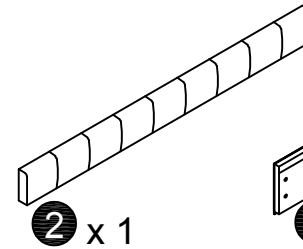
J x 1

Unplug the battery separator of the remote control before use

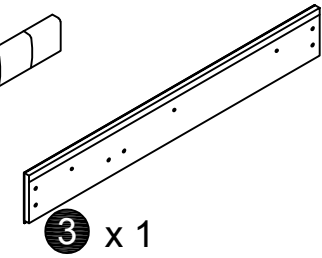
## Part list



1 x 1



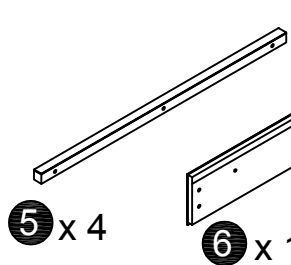
2 x 1



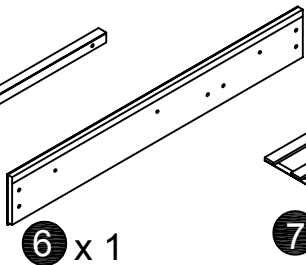
3 x 1



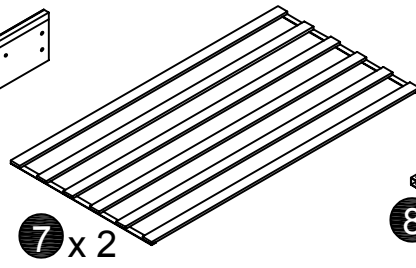
4 x 1



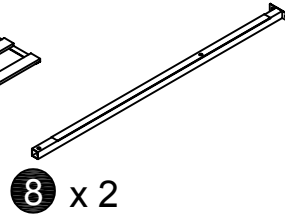
5 x 4



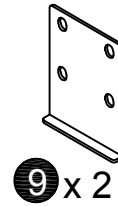
6 x 1



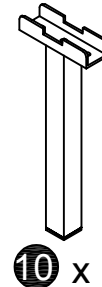
7 x 2



8 x 2



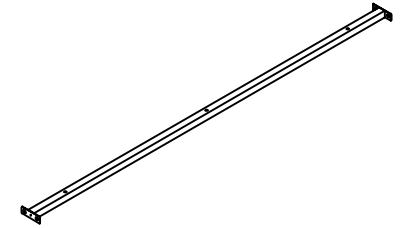
9 x 2



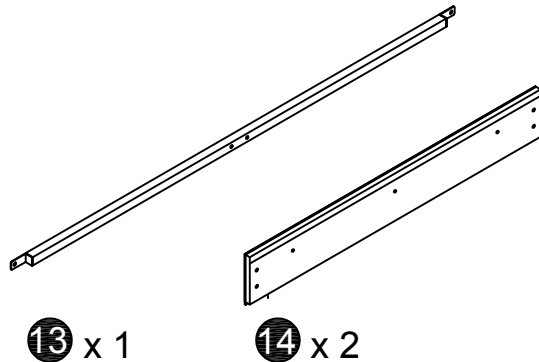
10 x 1



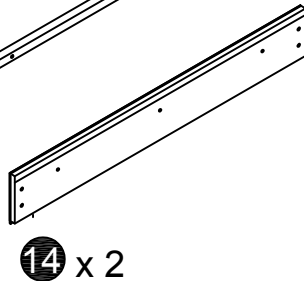
11 x 2



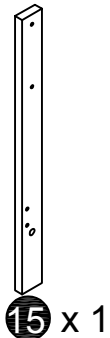
12 x 1



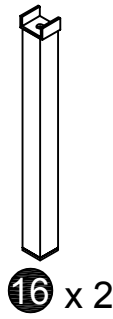
13 x 1



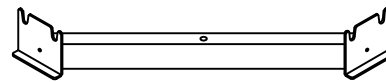
14 x 2



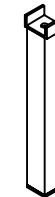
15 x 1



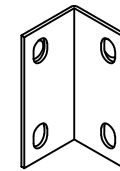
16 x 2



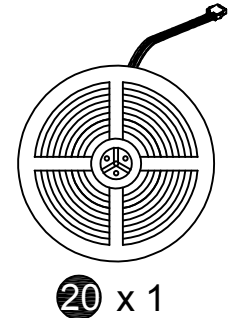
17 x 2



18 x 2

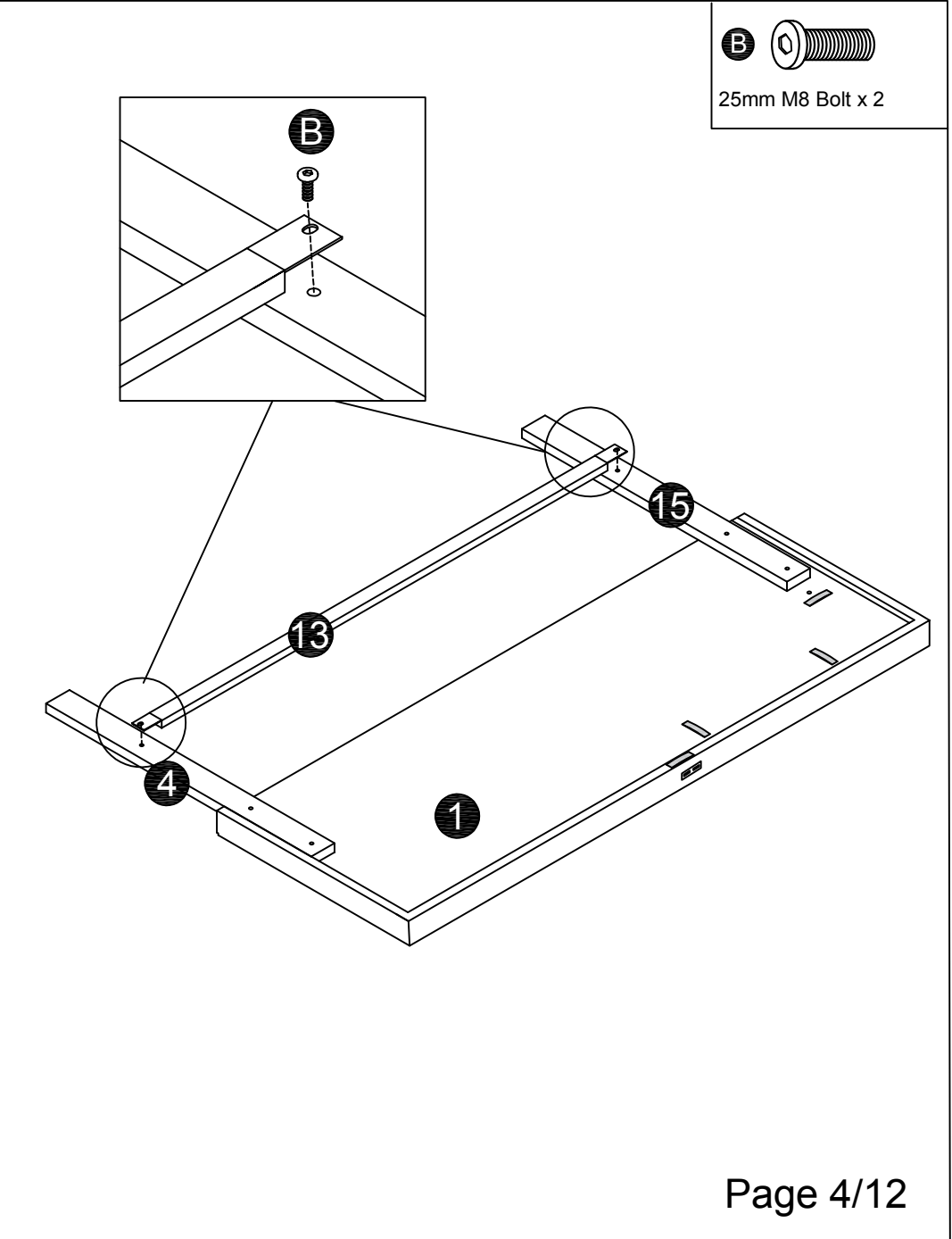
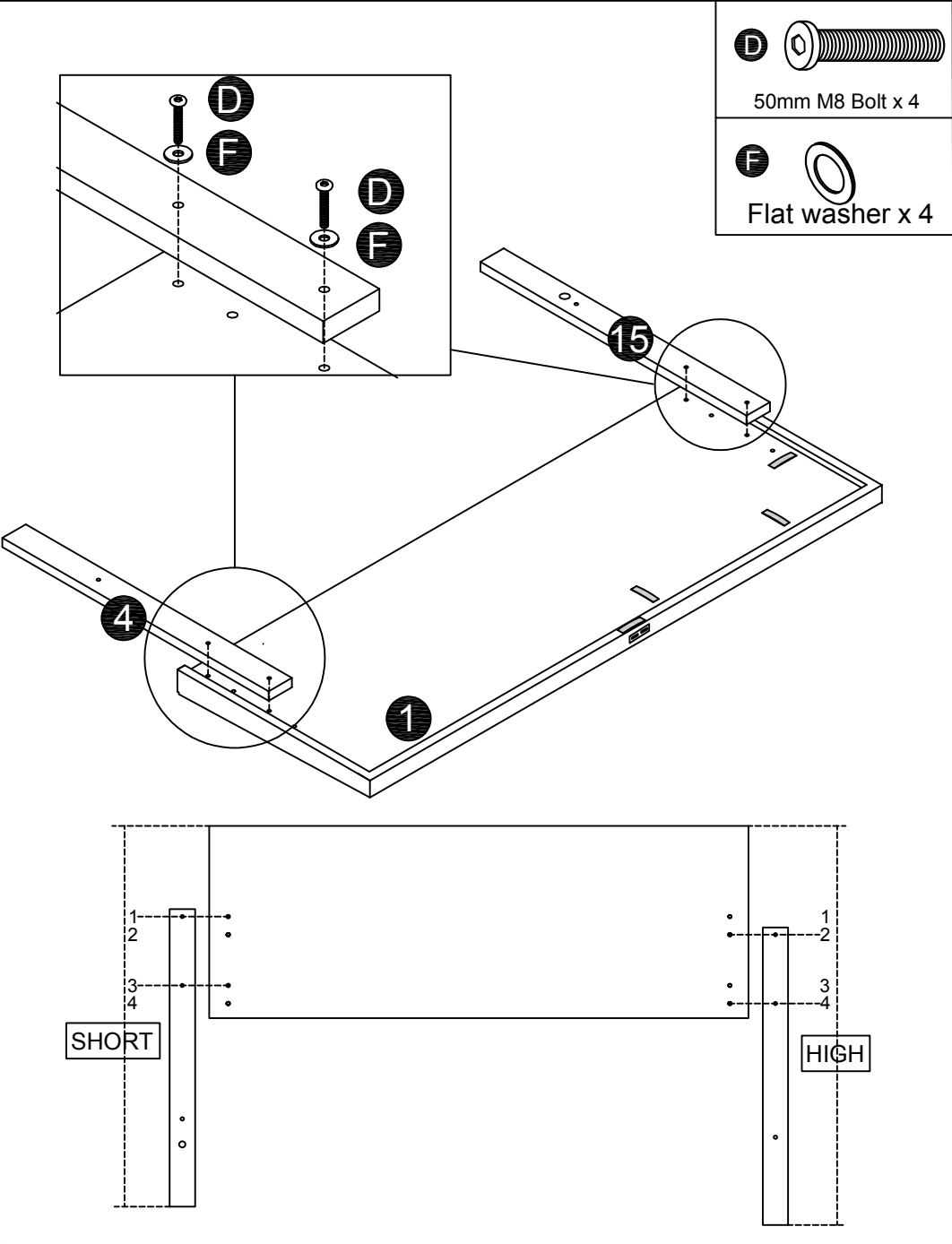


19 x 4

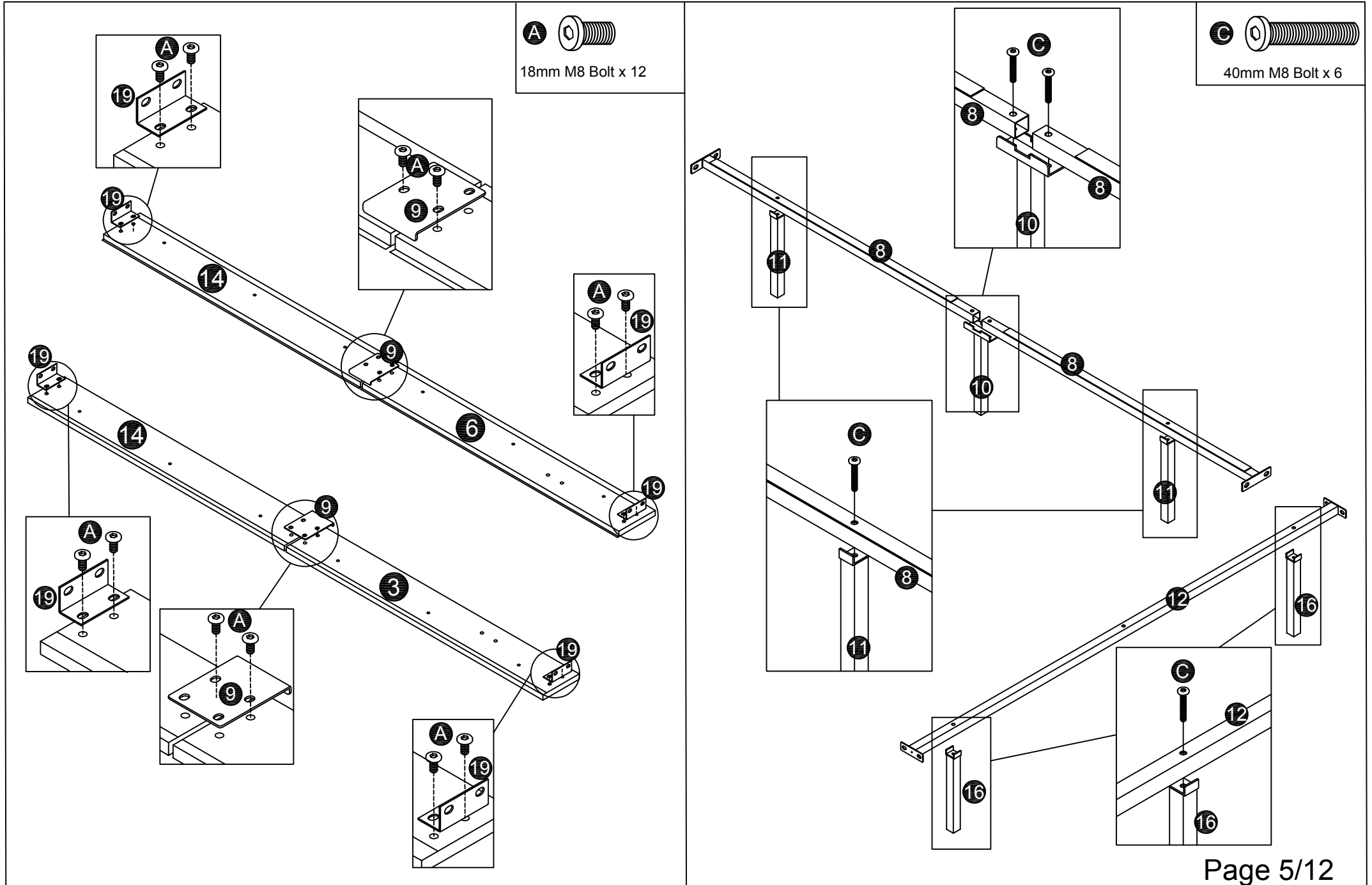


20 x 1

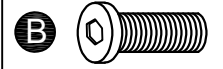
# Assembly Instruction



# Assembly Instruction



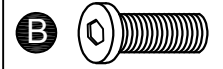
# Assembly Instruction



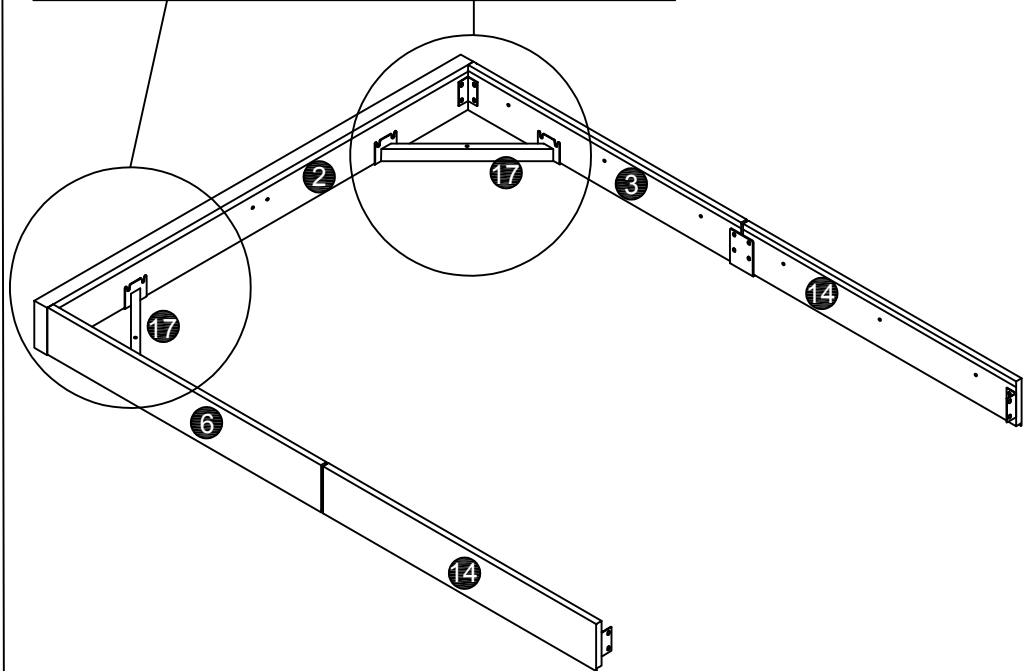
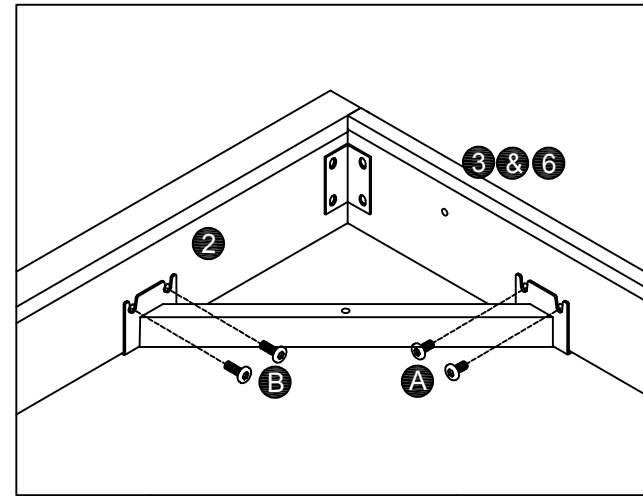
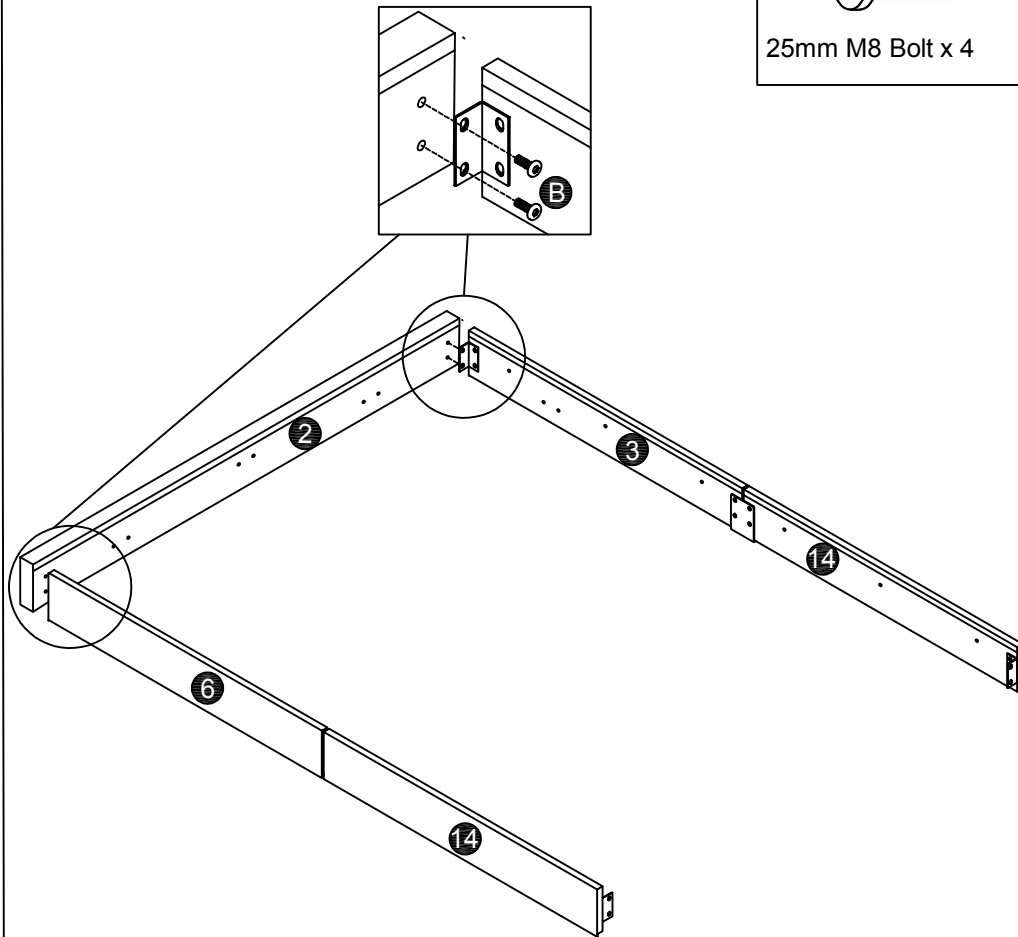
25mm M8 Bolt x 4



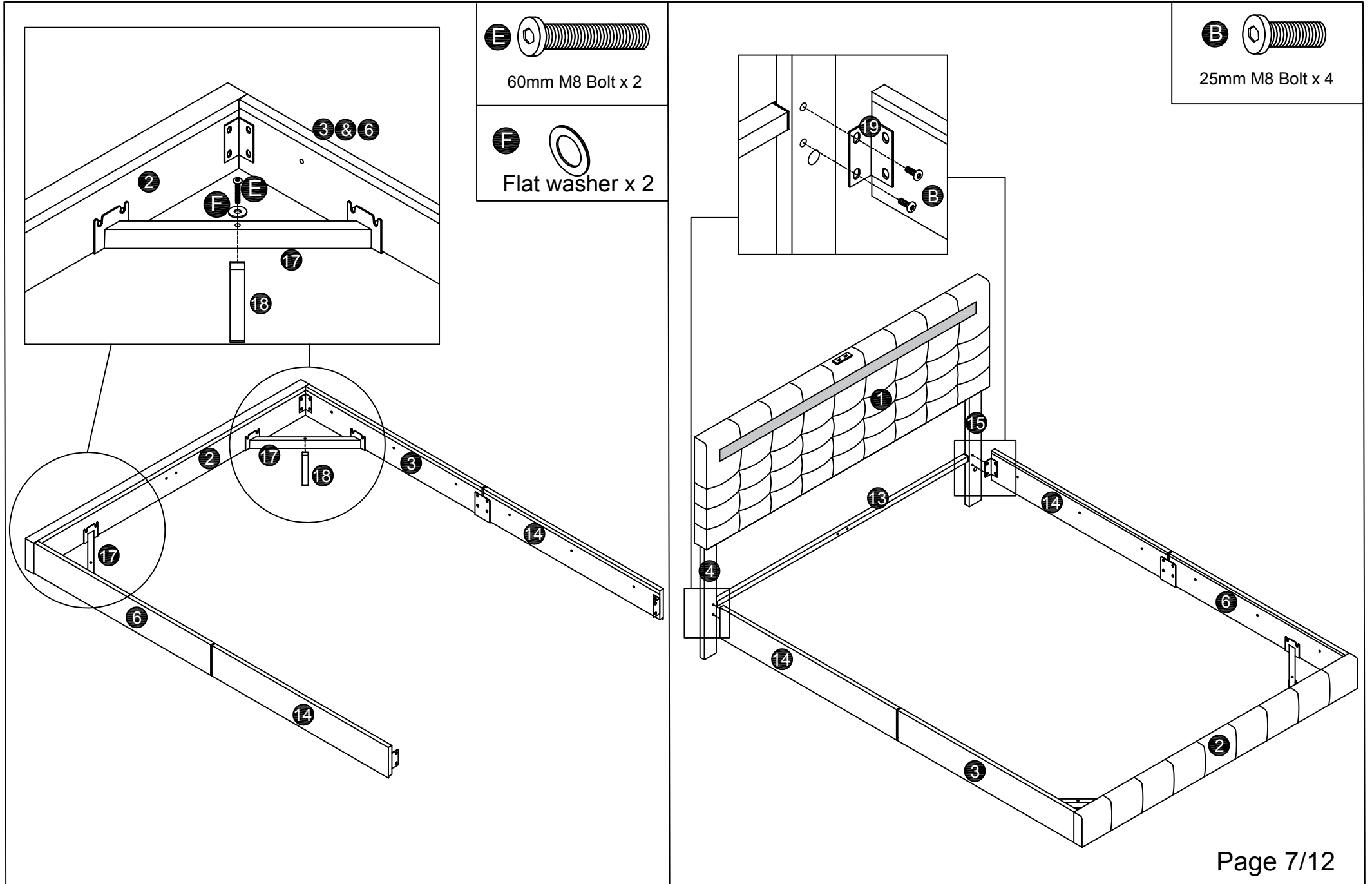
18mm M8 Bolt x 4



25mm M8 Bolt x 4



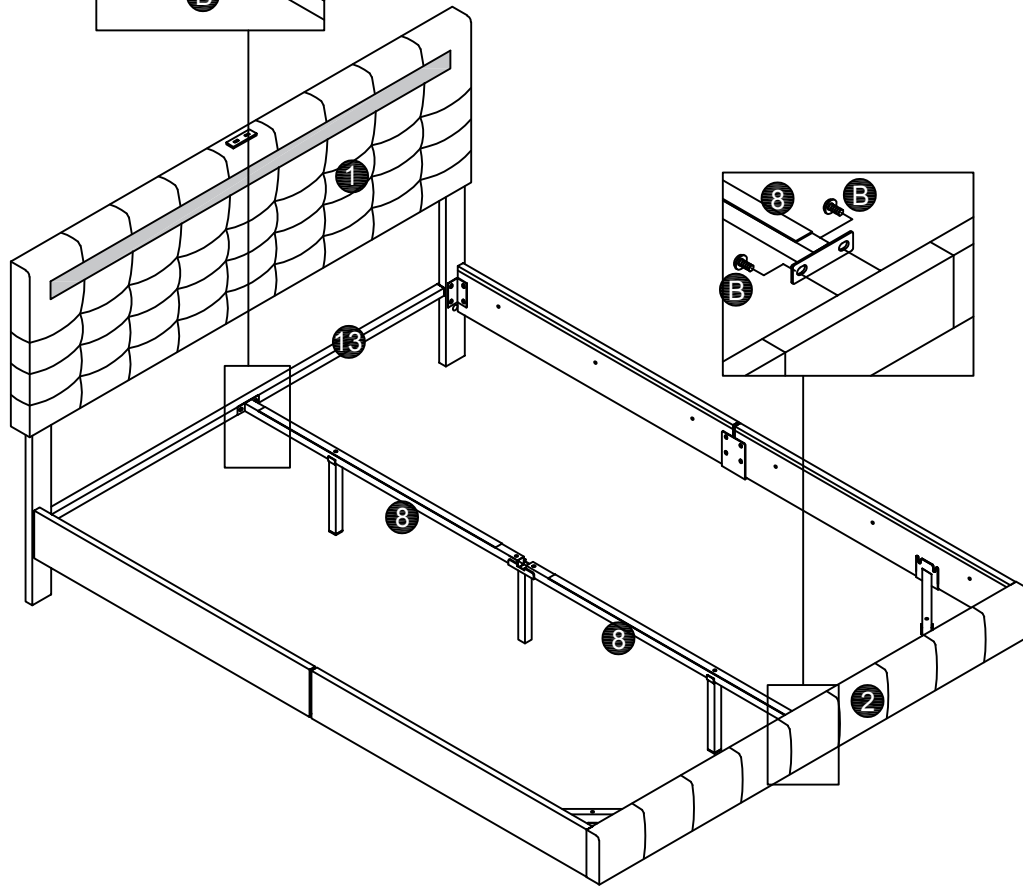
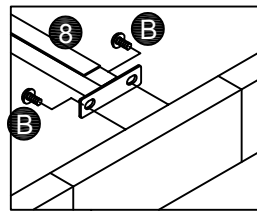
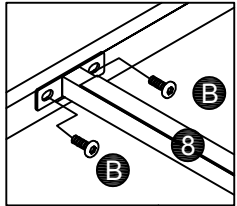
# Assembly Instruction



# Assembly Instruction



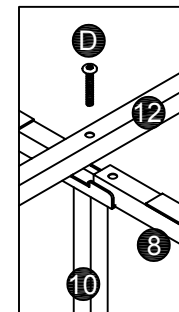
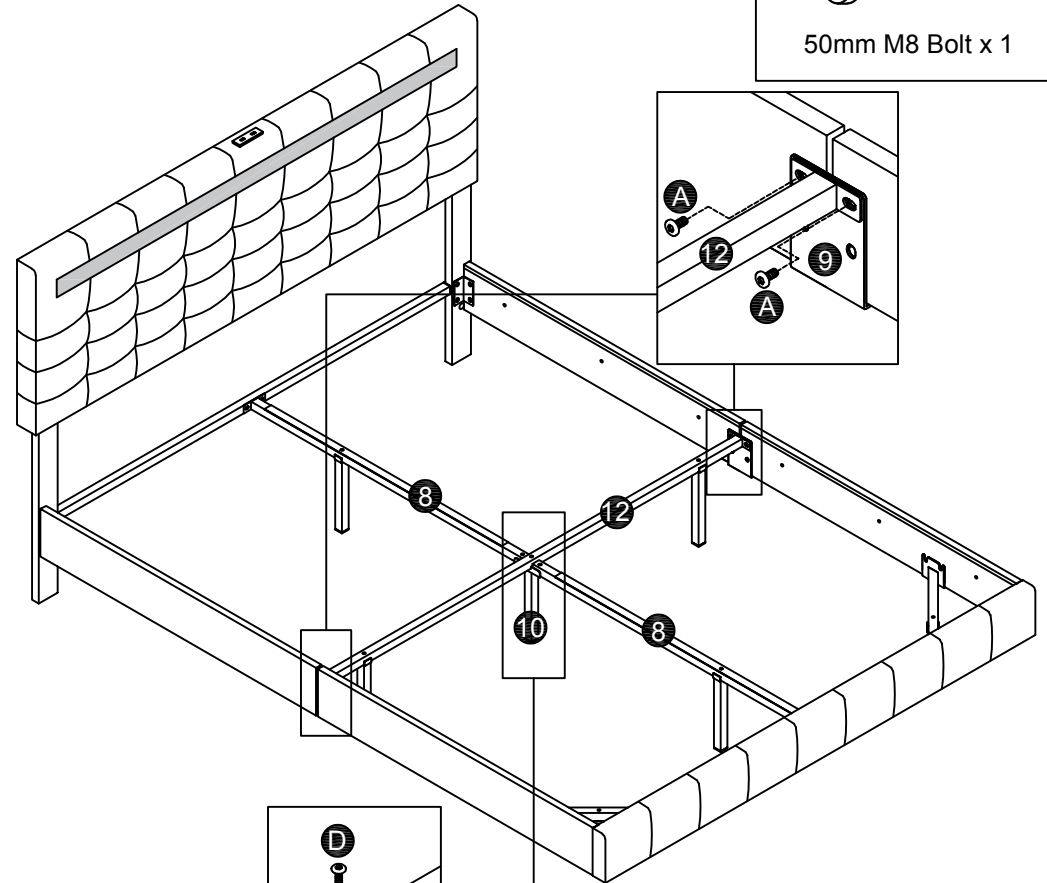
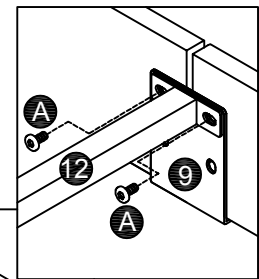
25mm M8 Bolt x 4



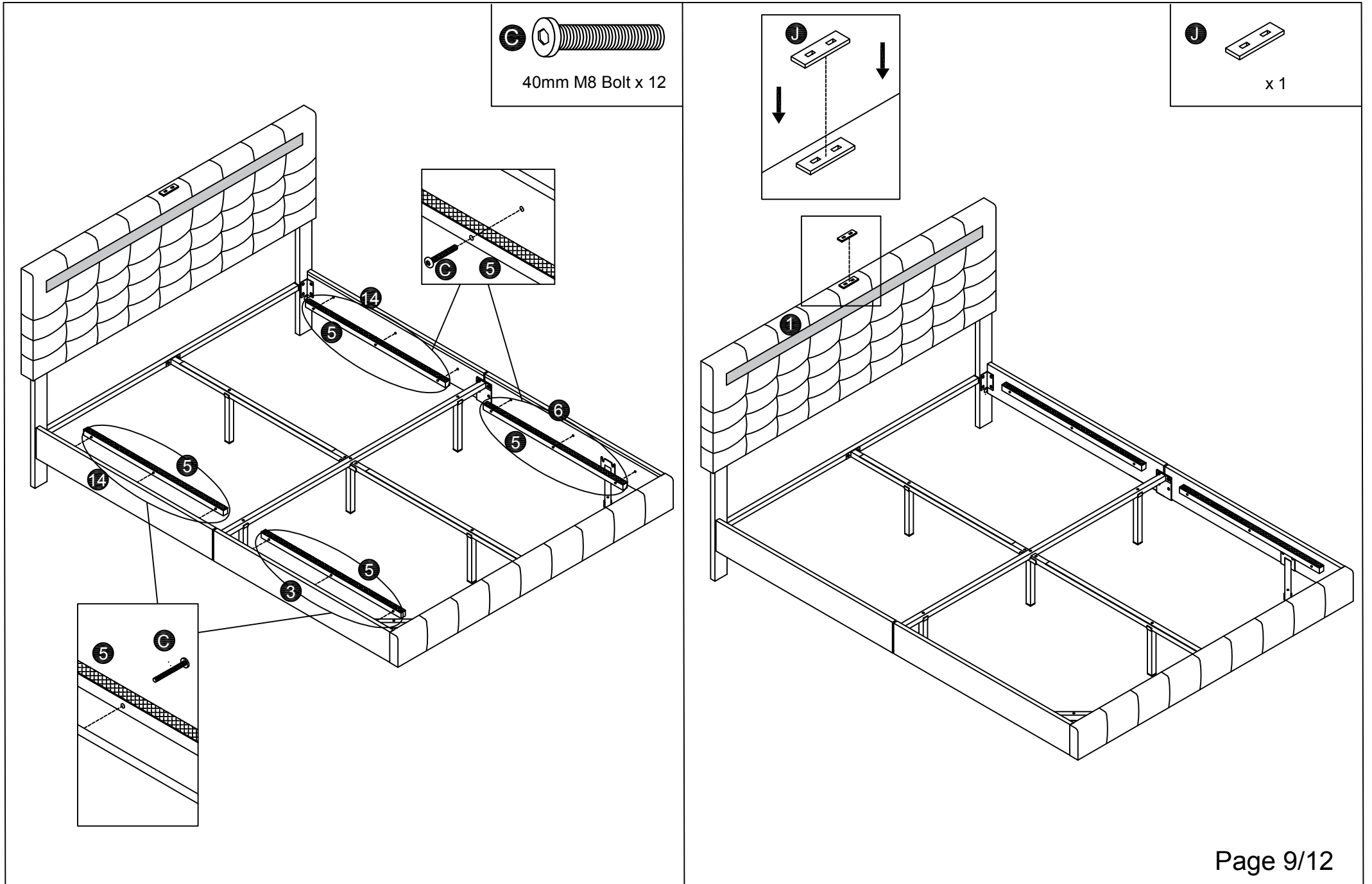
18mm M8 Bolt x 4



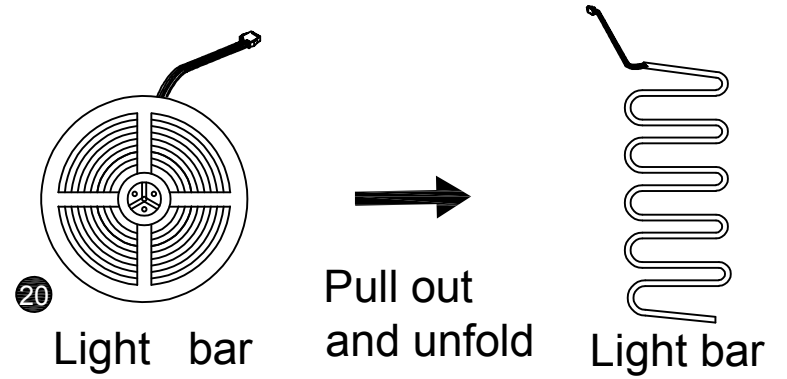
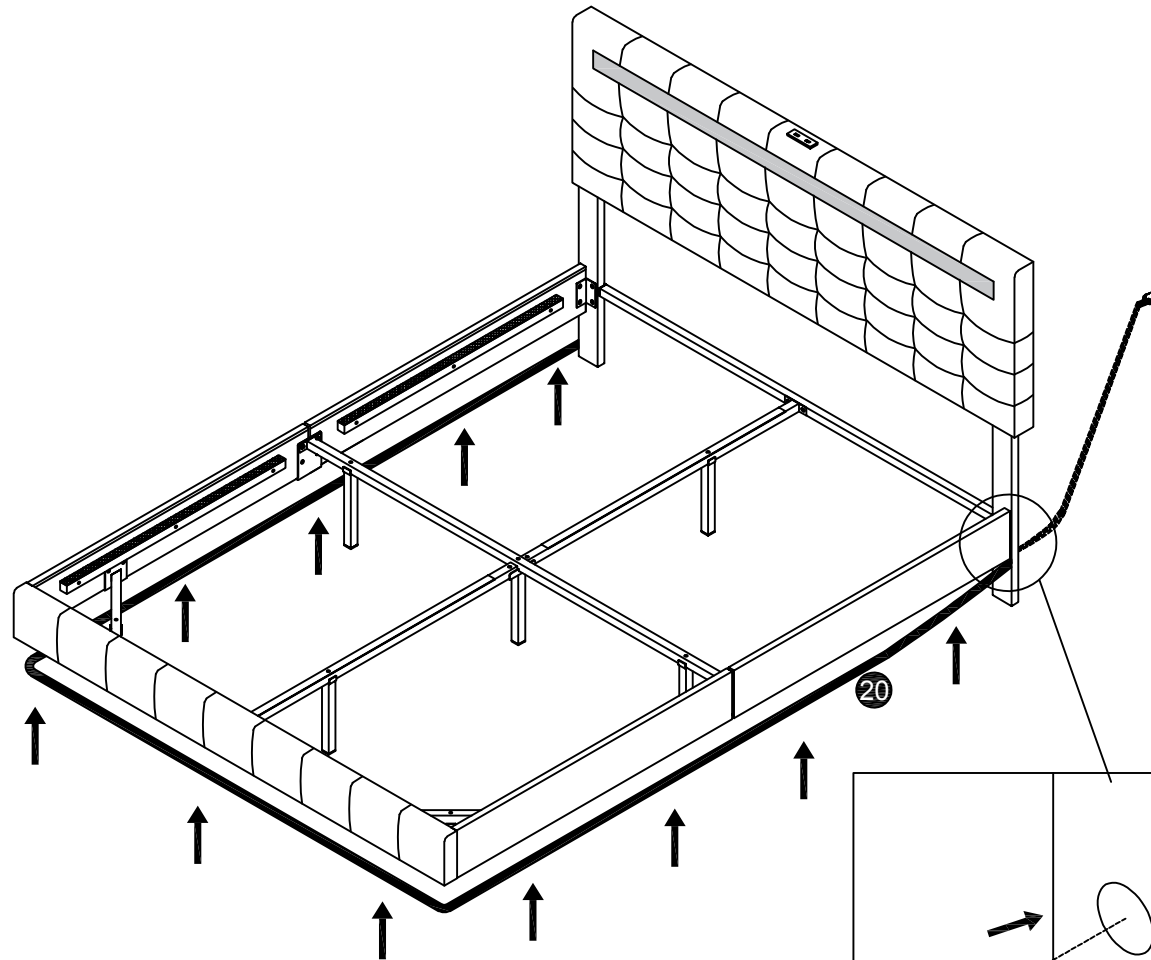
50mm M8 Bolt x 1



# Assembly Instruction



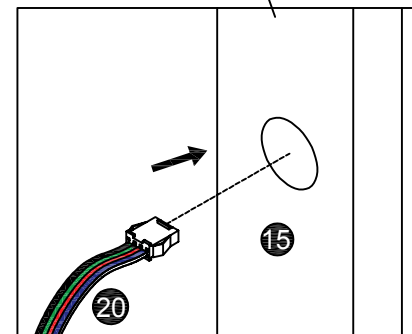
# Assembly Instruction



1. One side of the light bar is the luminous surface, and the other side is the velcro tape A.

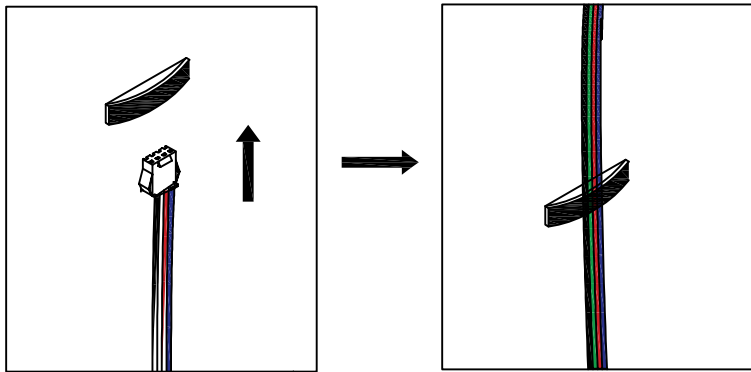
2. There are corresponding velcro tape B under the bed side and under the bed tail, which can be firmly bonded

Please fit the light belt to the bottom of the bed side

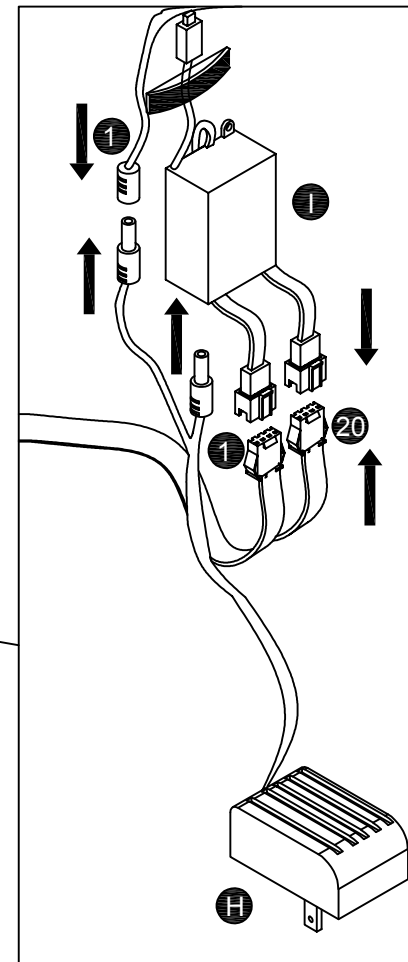
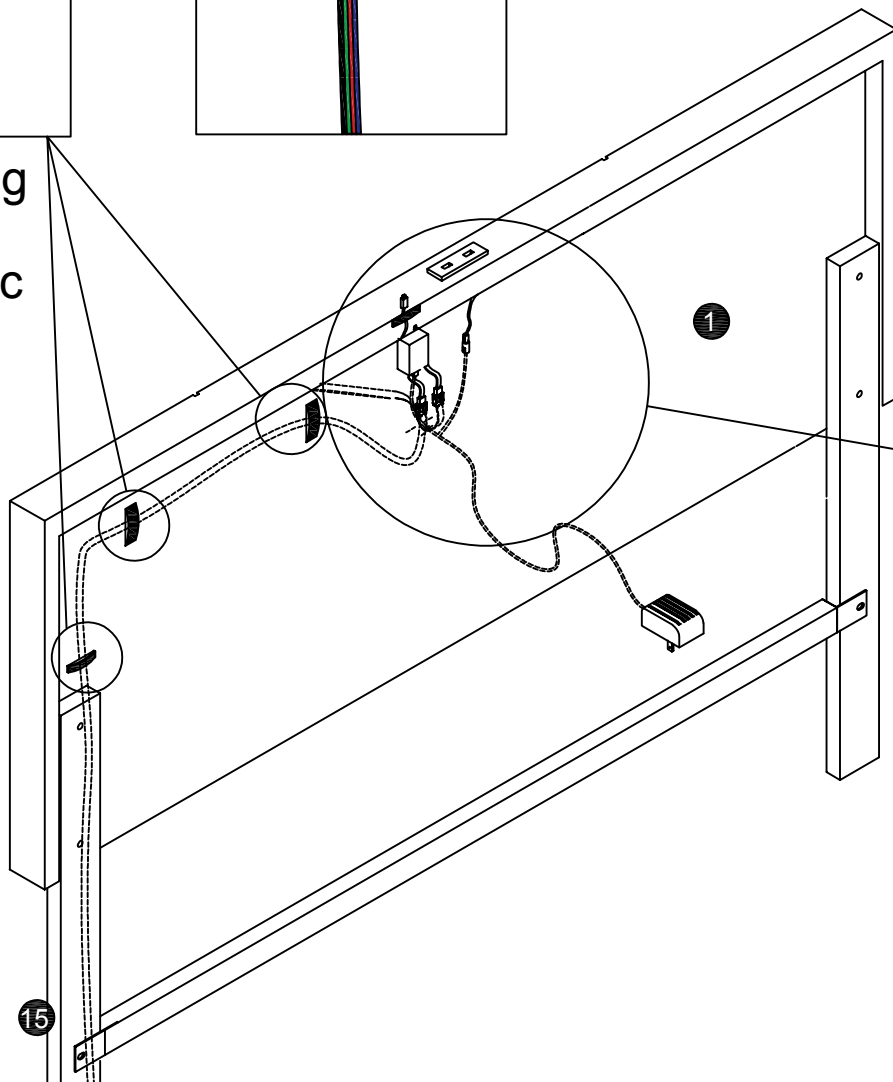


come through the hole

# Assembly Instruction



Please string the thread to the elastic band



Please attach the infrared receiver to the elastic bag

# Assembly Instruction

