

ASSEMBLING & INSTALLATION INSTRUCTIONS

The drawing shown may not exactly match the product enclosed.
However, the installation instructions do apply to this product.

- ◆ **WARNING! SHUT POWER OFF AT FUSE OR CIRCUIT BREAKER.**
- ◆ **ATTENTION! COUPER LE COURANT AU FUSIBLE OU UN DISJONCTEUR.**

ASSEMBLING THE FIXTURE (Fig.2).

- Determine the desired hanging height and thread rods (I, S,H, G and/or F) to lamp body (L). Feed the wires carefully through each rod during assembling.
- Attach the canopy (E), the reinforced plate (D) and the metal plates (C) with the washer (B) and the hex nut (A) to the top of the rod (F), then lock the canopy (E), the reinforced plate (D) and the metal plates (C) with the hex nut (A).
- Attach the glass shade (K) onto the socket of lamp body (L), and then lock it securely with the check ring (J).
- Install the light bulbs (Not included) **TYPE A** in accordance with the fixture specifications. **NOTE: DO NOT EXCEED THE SPECIFIED WATTAGE!** Install the light bulbs **GU10** in accordance with the fixture specifications. **NOTE: DO NOT EXCEED THE SPECIFIED WATTAGE!**

HANGING THE FIXTURE (Fig.1)

- Shut off the power at the circuit breaker and remove old fixture from ceiling, including the old single bar.
- Carefully unpack new fixture and lay all the parts on a clear surface.
- Mount the plastic anchor (R) to the ceiling. Secure the mounting plate (Q) onto the outlet box, using Outlet Box Screws (O) and uses the wood screw (P) to tighten the mounting back plate. The side of the mounting back plate marked "GND" must be facing out (See illustration). **The junction is not included.**
- With the help of another person to hold the weight of the light fixture, unscrew the closable link screw cap from the closable link (N) of the canopy (E), and attach the closable link (N) of the canopy (E) onto the closable link (N) from the mounting plate (Q). Tighten each closable link screw cap. Now the lighting fixture is supported by the steel wire.

CONNECTING THE WIRES (Fig.3)

- Take the black wire from the ceiling junction box and the smooth wire leg from the fixture and twist bare ends together. Twist wire connector onto end of wire until snug.
- Repeat same process with white junction box wire and ribbed wire leg of fixture wire. **NOTE:** Twist wires together in the same direction you twist the wire connector onto wires.
- If your junction box has a grounding wire (green or bare copper), attach this wire and the bare copper wire from the fixture together as **step 1**. If junction box has no ground wire, attach the bare copper fixture wire to the green ground screw on the mounting plate.
- Put the Lamp Body onto the ceiling, aligning the screws on the mounting plate with the mounting holes on the canopy (E). Lock it securely with the Ball Nut (M).

Your installation is now complete. Return power to the junction box and test the fixture.

FIG.2

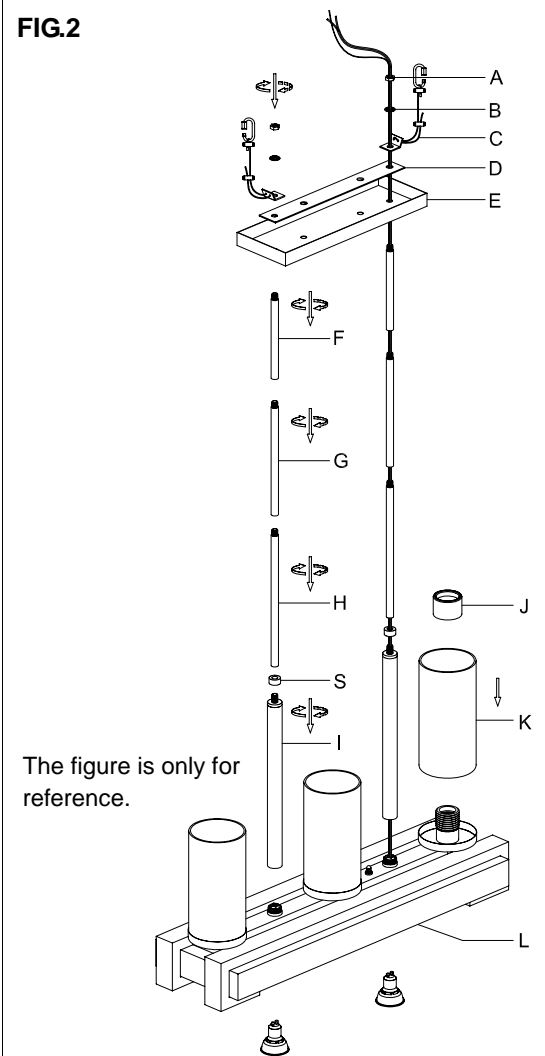


FIG.1

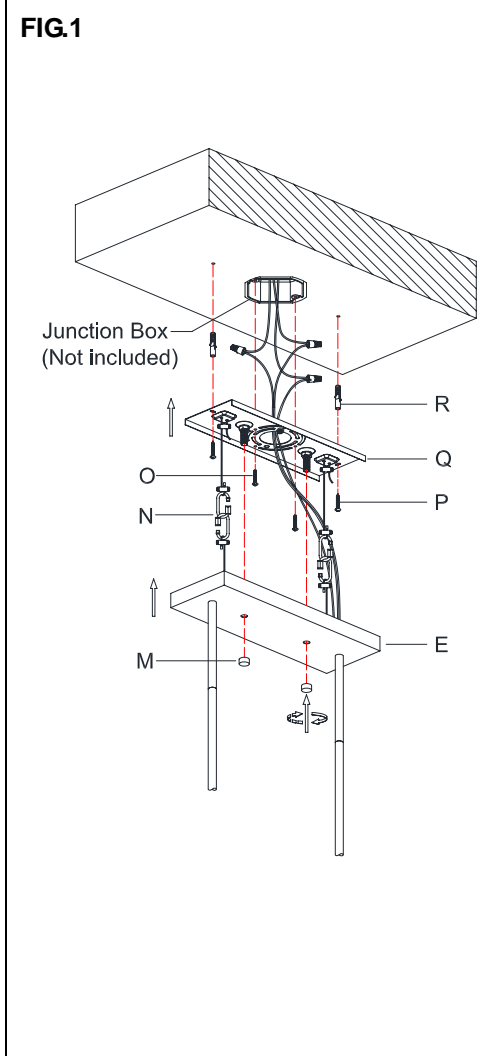
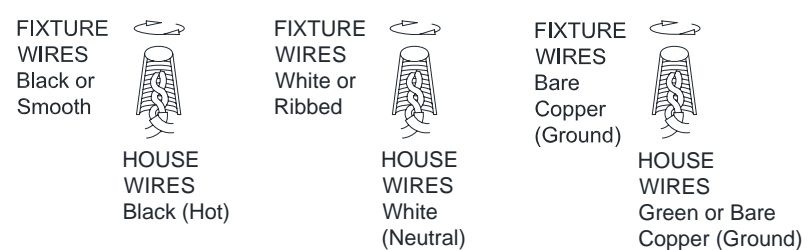


FIG.3



Thank you for purchasing a product.
Need assistance with parts or assembly? Please call customer service