

INSTALLATION

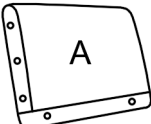

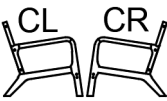
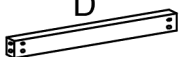
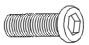


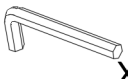


- If you have any questions with the product, please contact us

Assembly Instructions

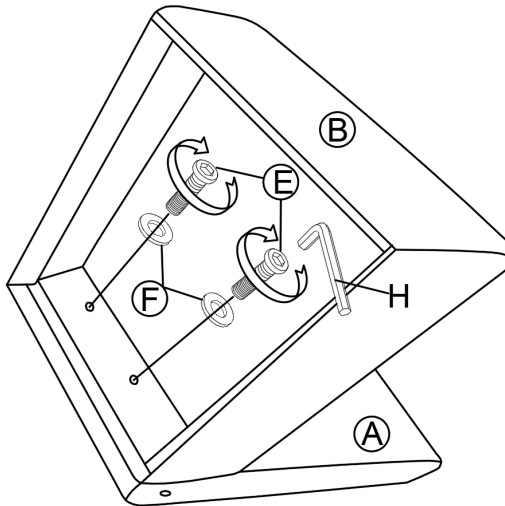
Your recliner comes packaged in one box. Carefully remove all of components from the packaging and set aside for assembly.

CAUTION:
DO NOT use any sharp objects to open plastic wrapped components as damage to product or components may result.

Package Contents

 A X1	 B X1	 CL CR EL ER X2	 D X1		
 X12	 X2	 X4	 X1	 X5	 X1
E: 5/16*6CM	F: 5/16*19MM	G: Ø25*3MM	H: M5*6CM	I: 5/16*1.5CM	K: Pillow

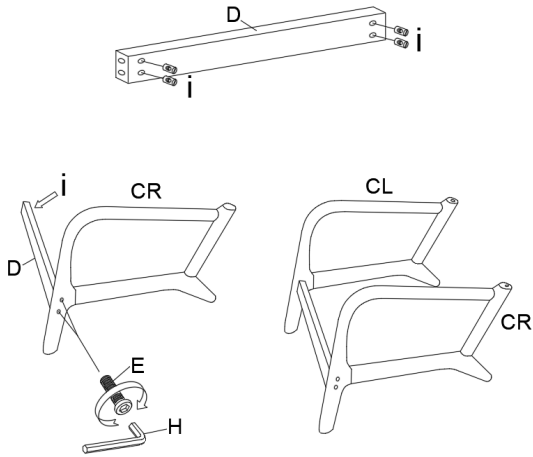
Step 1: Turn the chair upside down and lay on protective carpet. Using allen wrench(H) to loosely tighten bolts(E), flat washers(F) as illustration below:



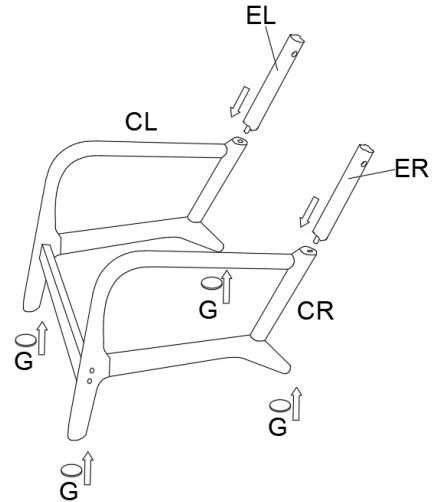
ATTENTION!!

Ensure the backrest is fully inserted to the bottom along the metal slot to avoid tilting or moving. And please not sit on the armrests for the user's safety.

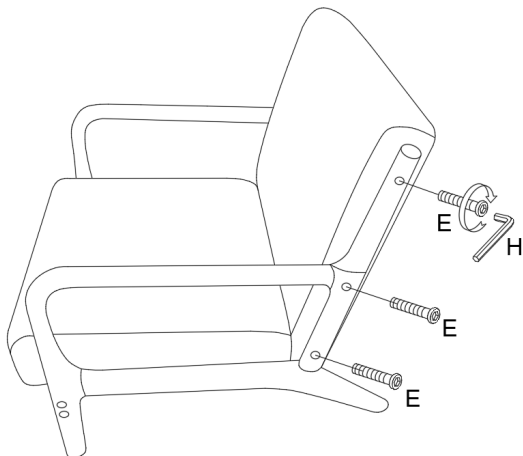
Step 2: Install the horizontal canopy(i) in the hole drilled in the wooden bar(D).Insert wooden bar to the leg right(CR) and leg left(CL).Using allen wrench(H) to loosely tighten bolts(E) as illustration below



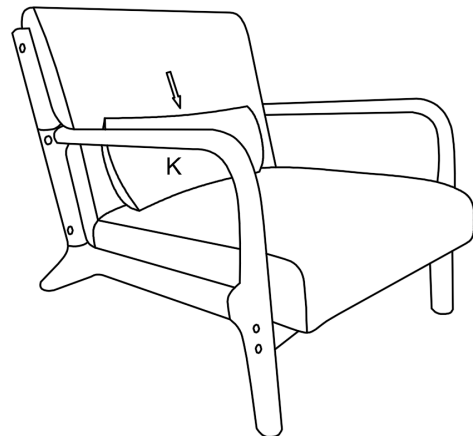
Step 3: assembly wooden bar(ER & EL) to the leg right(CR) and leg left(CL). Glue the foot pads(G) to the bottom of the chair legs



Step 4: Insert chair frame to the leg frame and using allen wrench(H) to loosely tighten bolts(E) as illustration below



Step 5: Put Pillow(K) on the chair. Assembly is completed



ATTENTION!!

Ensure the backrest is fully inserted to the bottom along the metal slot to avoid tilting or moving. And please not sit on the armrests for the user's safety.

Warnings

1. Please check if the components of the chair are all included and can be used normally.
2. Assemble all components according to the instruction correctly before you connect the chair to the power.
3. Please DO NOT sit on the armrests or footrest to eliminate the risk of tipping over.
4. If the chair is damaged or doesn't match the website description, please send clear pictures of the product and label of the carton to our service team for further help.
5. If the recliner doesn't work, you may try the following measures for self-checking firstly:
 - a) Check if all the cables are connected;
 - b) Check if the light of transformer is on.If the chair still doesn't work, please feed the information back to our customer service in time and we'll help you solve the matter as soon as possible.
6. If you have any questions with the product, please contact us

