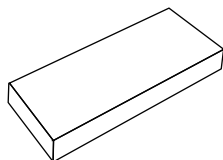


# PRODUCT MANUAL

## HARDWARE INCLUDED



Tool box



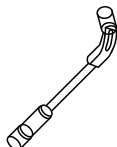
A: Expansion Sleeve



B: Custom Screw



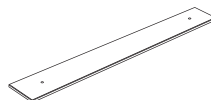
C: Leveler



D: Wrench



E: Socket

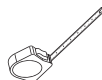


F: Auxiliary Ruler

## ADDITIONAL TOOLS REQUIRED



G: Multifunctional Drill

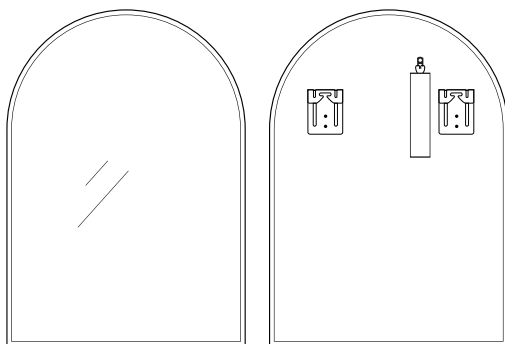


H: Tape Measure



I: Pencil

## MIRROR DETAILS

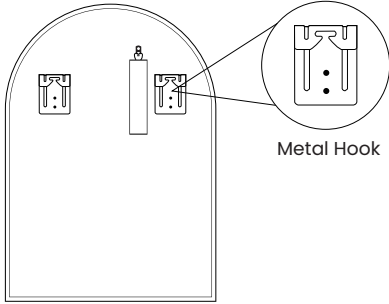


## WARNING

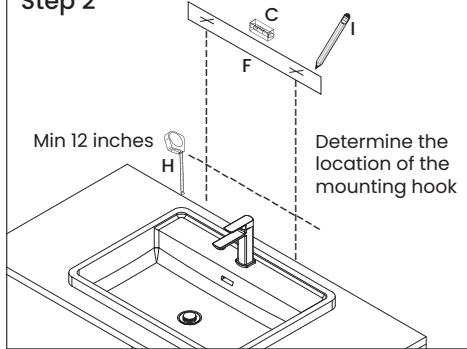
- ⚠ This product may contain delicate parts - be careful during handling and maintenance to avoid breakage.
- ⚠ Ensure that the hanging location has been decided upon and marked clearly to avoid unwanted damage to the wall due to incorrect positioning.
- ⚠ Keep small parts and fittings out of children's reach and keep children well away from construction.

## INSTALLATION GUIDE

### Step 1

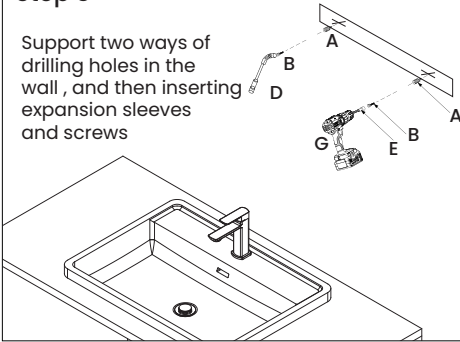


### Step 2



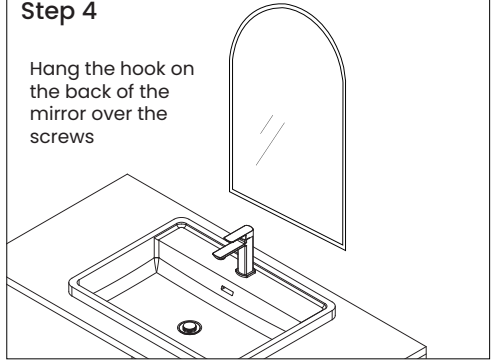
### Step 3

Support two ways of drilling holes in the wall, and then inserting expansion sleeves and screws



### Step 4

Hang the hook on the back of the mirror over the screws



## WARRANTY

#### 1 30-Days Money Back Guarantee :

If the mirror arrives damaged or chipped, there is no need to return it and we will provide you with the most satisfactory solution within 24 hours.

#### 2 2-Year Warranty for Quality-Related Issues :

Customer can contact us for refund or replacement if it is defective during normal use due to faulty materials, craft or funtion within 2 years after purchase or delivery. (Notice: Photos or videos that can prove the problem of the product itself must be provided as the basis for judgment.)