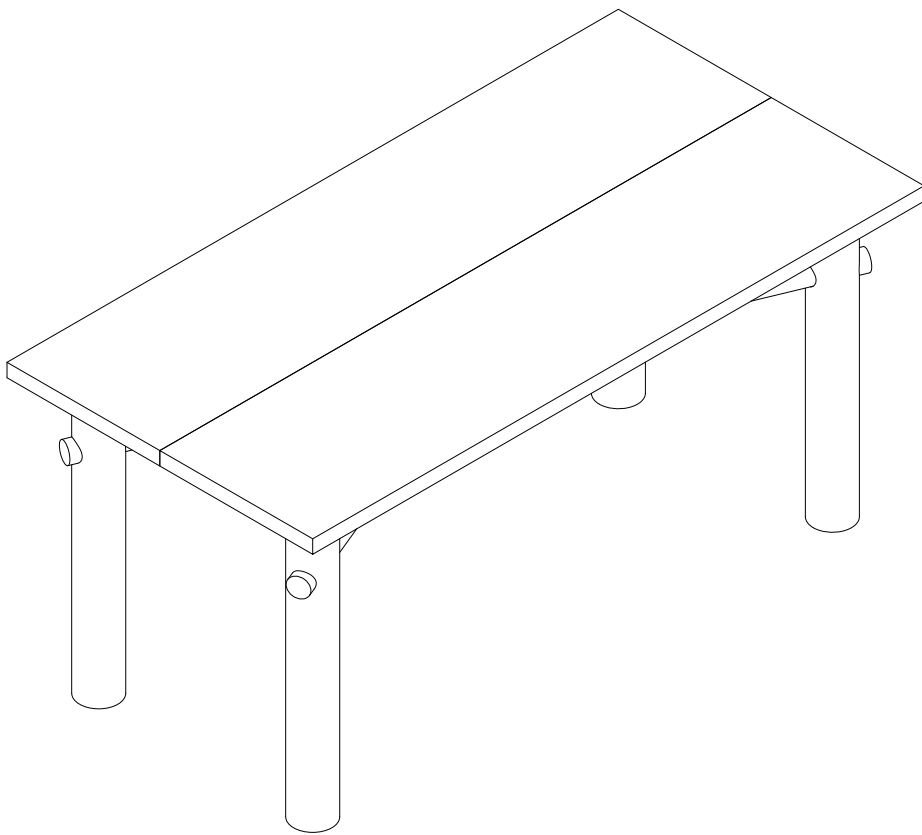


Assembly Instructions



Dining Table

Model No.
HOGA-LD0088

Contact Us

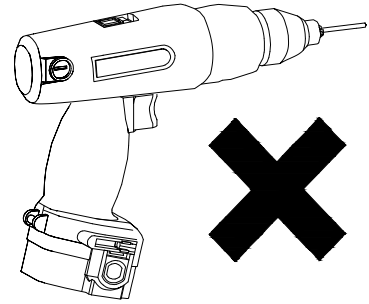
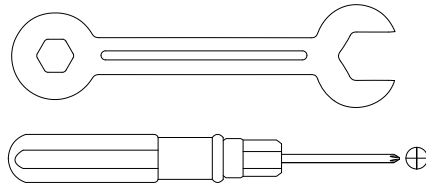
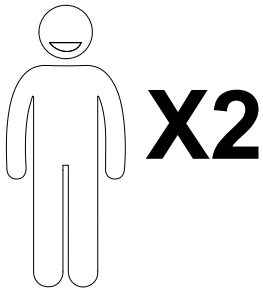
We're here to help you.



Your satisfaction is our top priority. If you encounter any issues with this product, such as missing or damaged parts, we're here to help. Please retain the original packaging and take photos of the packaging and the product, then contact us as soon as possible.

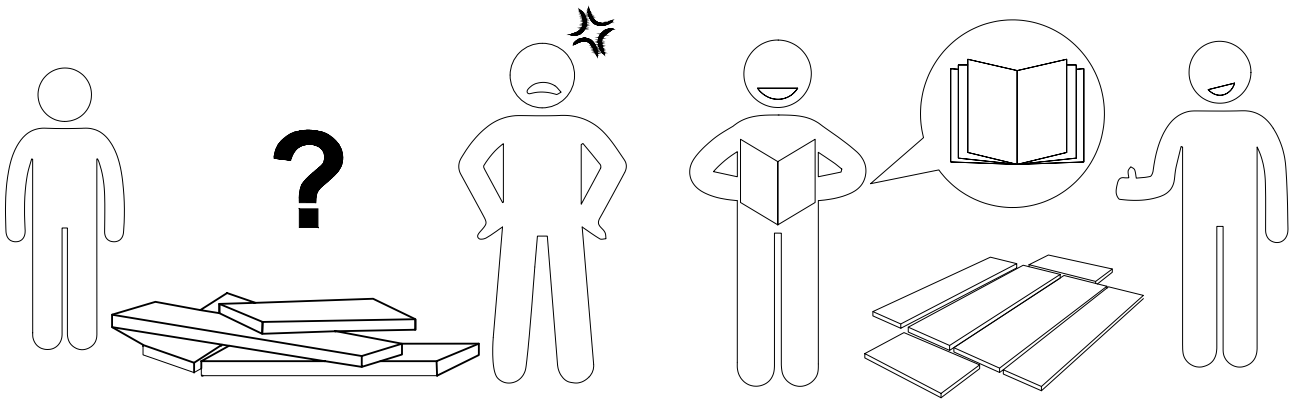
Warm Tips

1. Carefully read these instructions and keep them for future reference.
2. Check the parts list and confirm everything's there before starting assembly.
3. When assembling, put all parts on a soft, smooth surface like a carpet to avoid scratches.
4. Don't fully tighten screws until all parts are confirmed in place to avoid misalignment.



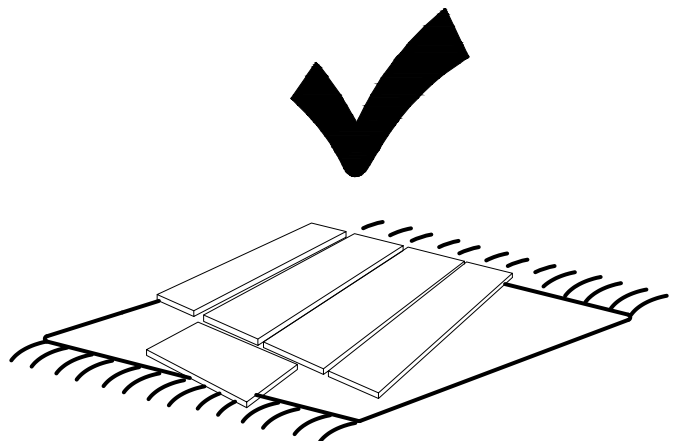
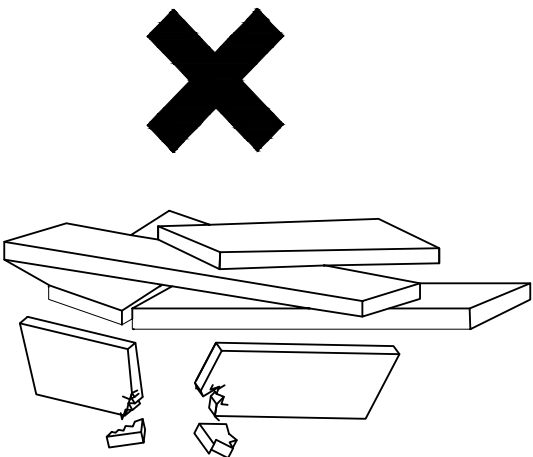
We recommend using hand tools for assembly.

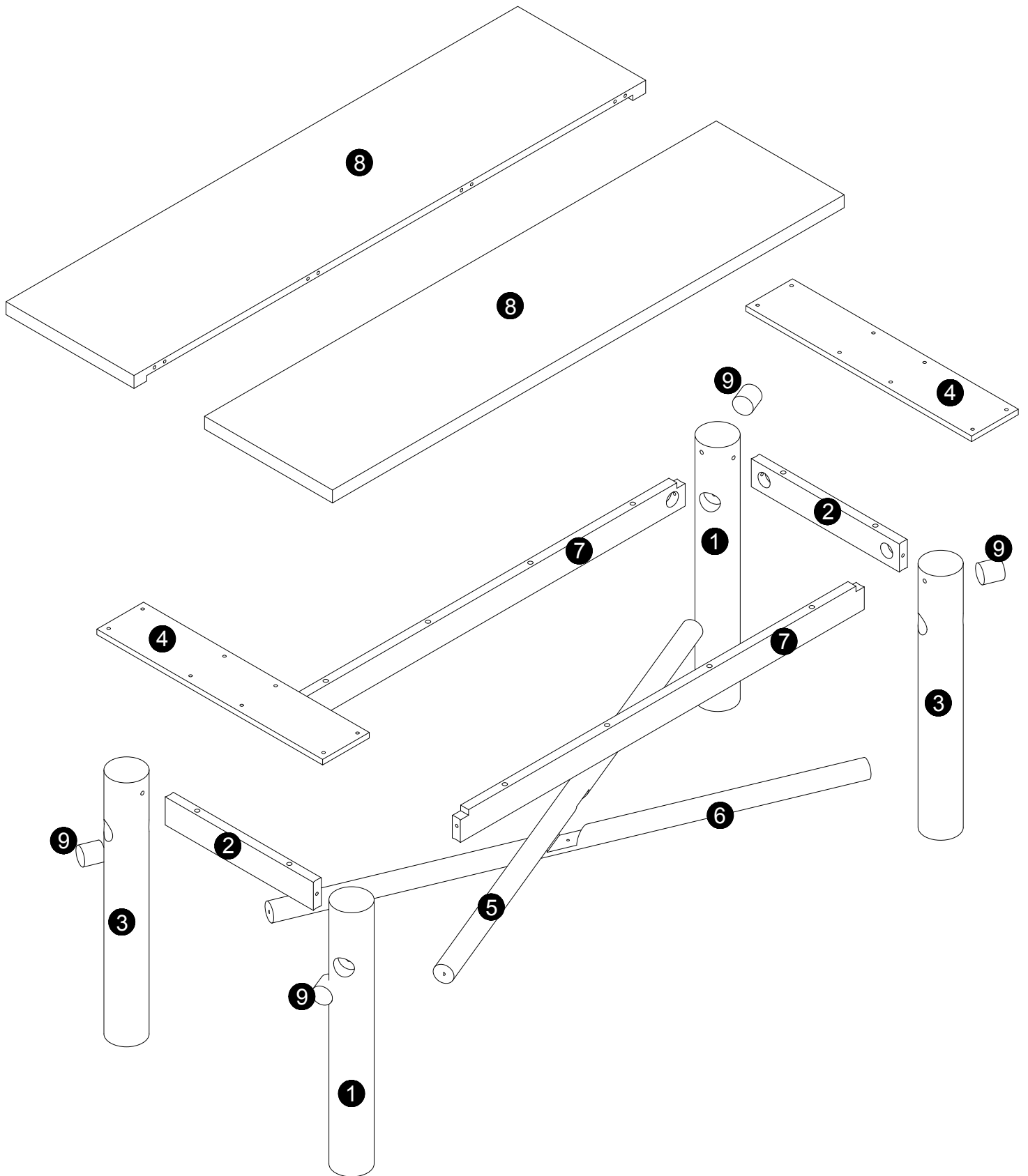
If an electric screwdriver is used, reduce power and torque to avoid damage to the product.



AVOID SCRATCHES

In order to avoid scratching this furniture should be assembled on a soft layer-could be a rug.

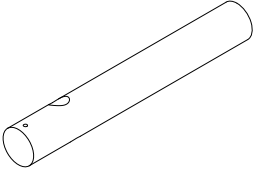
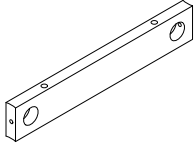
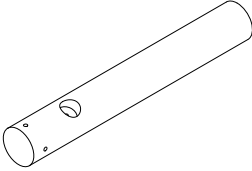
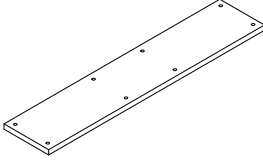
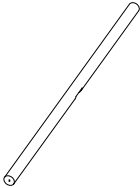
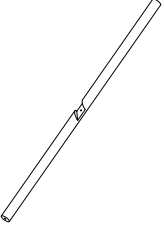
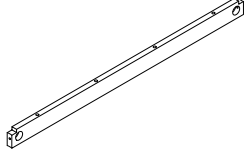
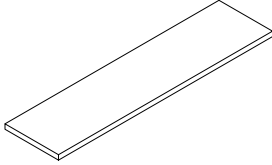





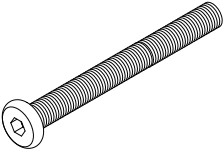
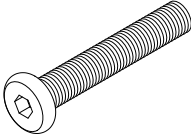
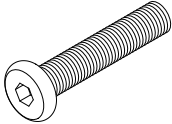
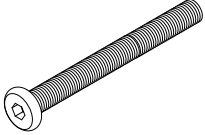
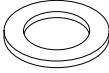

⚠ Caution


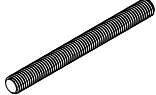
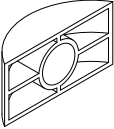
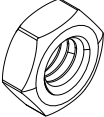
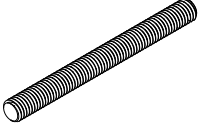
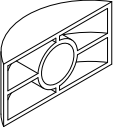
Make sure all parts are included. Most board parts are labeled or stamped on the raw edge. Contact us for a free replacement if you encounter any damaged or missing parts.

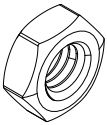

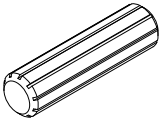
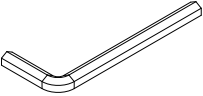
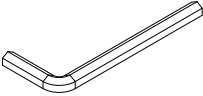

Parts List



1  2 pcs	2  2 pcs	3  2 pcs	4  2 pcs	5  1 pc
6  1 pc	7  2 pcs	8  2 pcs	9  4 pcs	

Hardware List

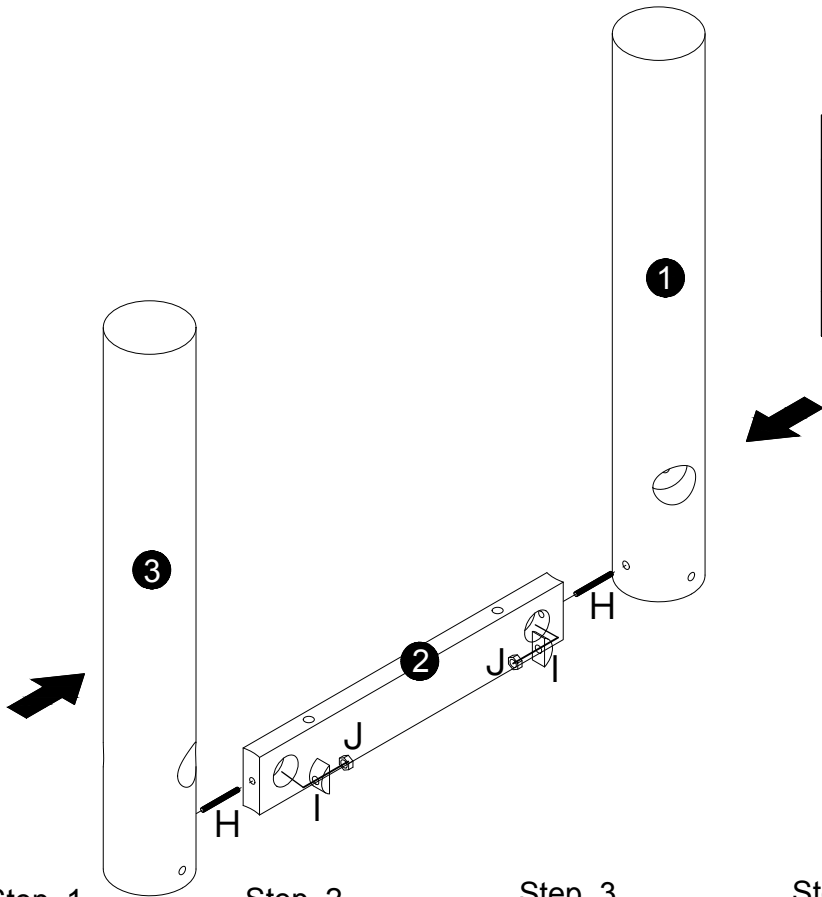
A	B	C	D	E	F
					
M8x85mm	M8x55mm	M8x30mm	M6x80mm	M8	M6
8+1 pcs	4+1 pcs	16+1 pcs	4+1 pcs	28+1 pcs	4+1 pcs

G	H	I	J	K	L
					
Ø3.5x40mm	Ø8x60mm	M8	M8	Ø6x80mm	M6
1+1 pcs	8+1 pcs	8+1 pcs	8+1 pcs	4+1 pcs	8+1 pcs

M	N	O	P	Q	R
					
M6		Ø8x30mm	M5	M4	Wrench M8
8+1 pcs	4+1 pcs	4+1 pcs	1pc	1pc	1pc

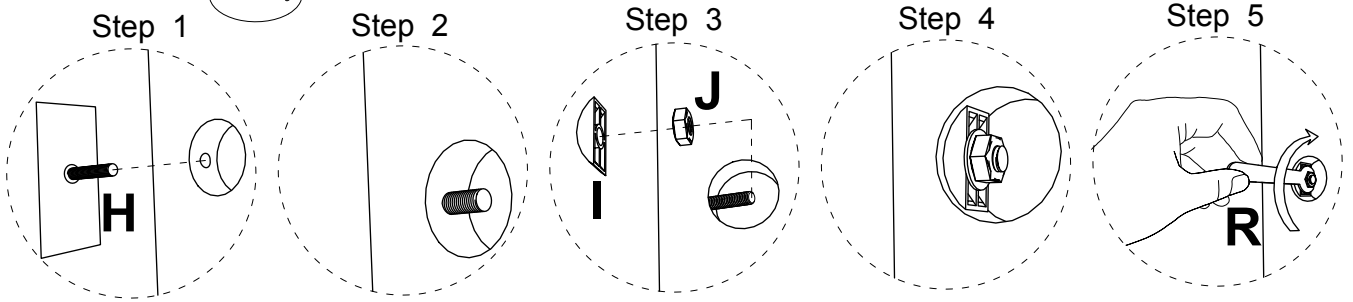
S	T				
					
Wrench M6	Screwdriver				
2 pcs	1pc				

1

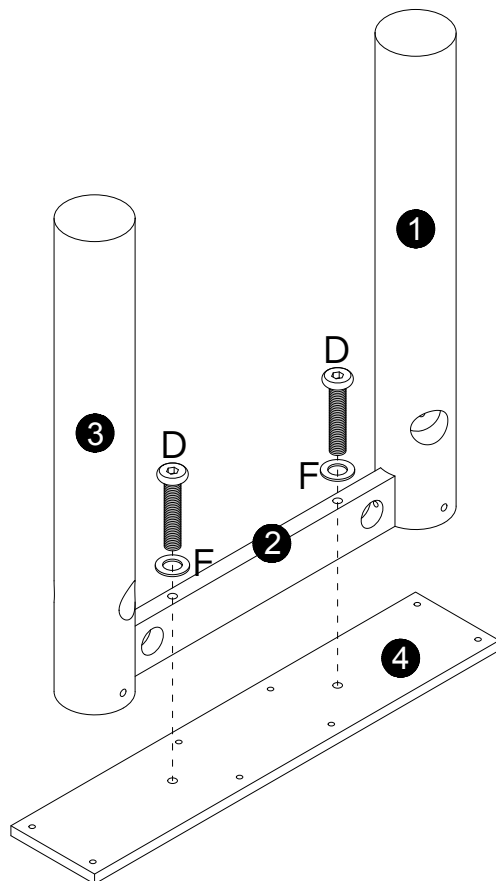


H	I	J
Ø8x60mm	M8	M8
4 pcs	4 pcs	4 pcs

x2

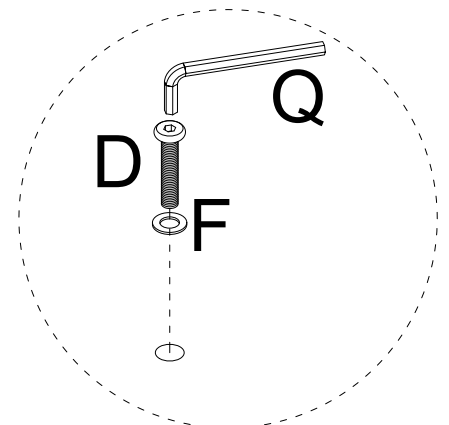


2




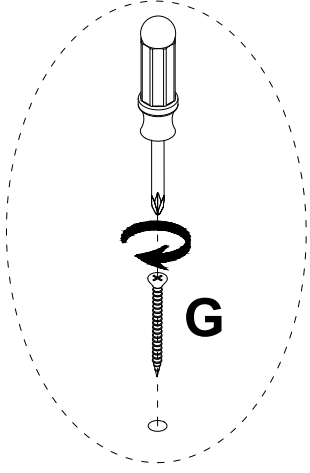
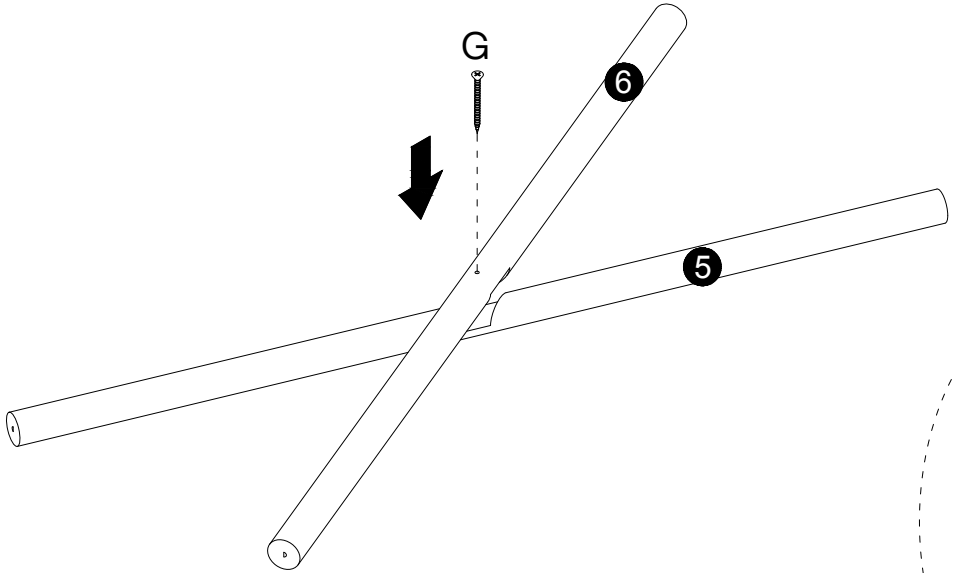
F	D
M6	M6x80mm
4 pcs	4 pcs

x2






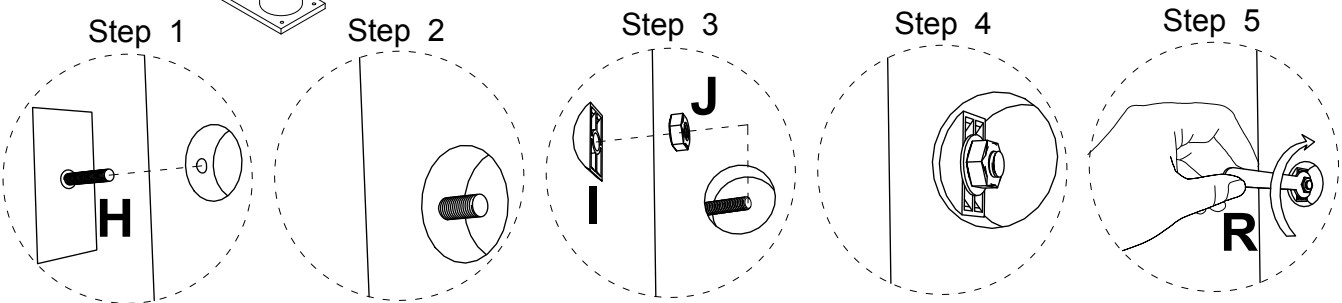
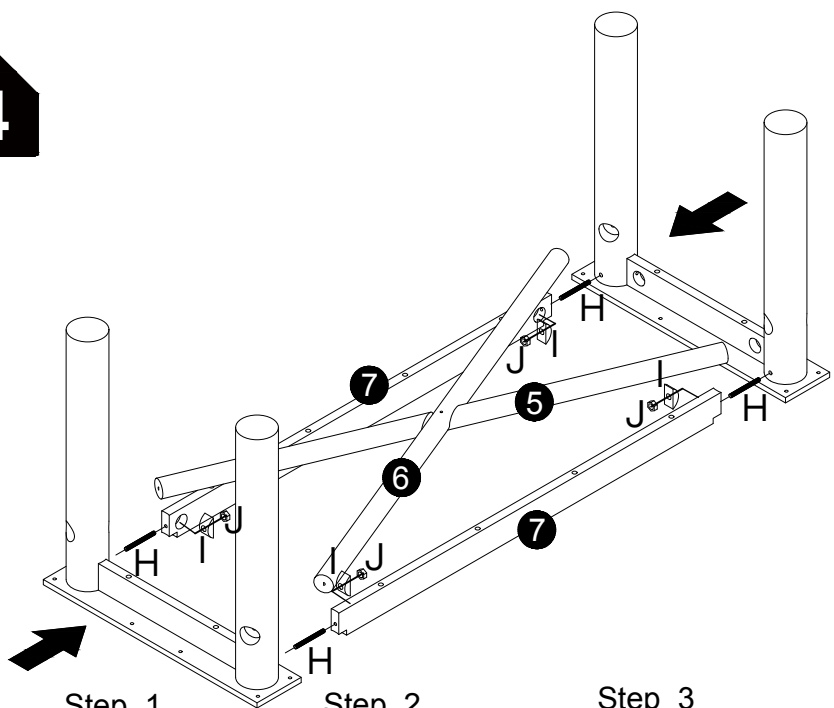
3

G

Ø3.5x40mm
1 pc

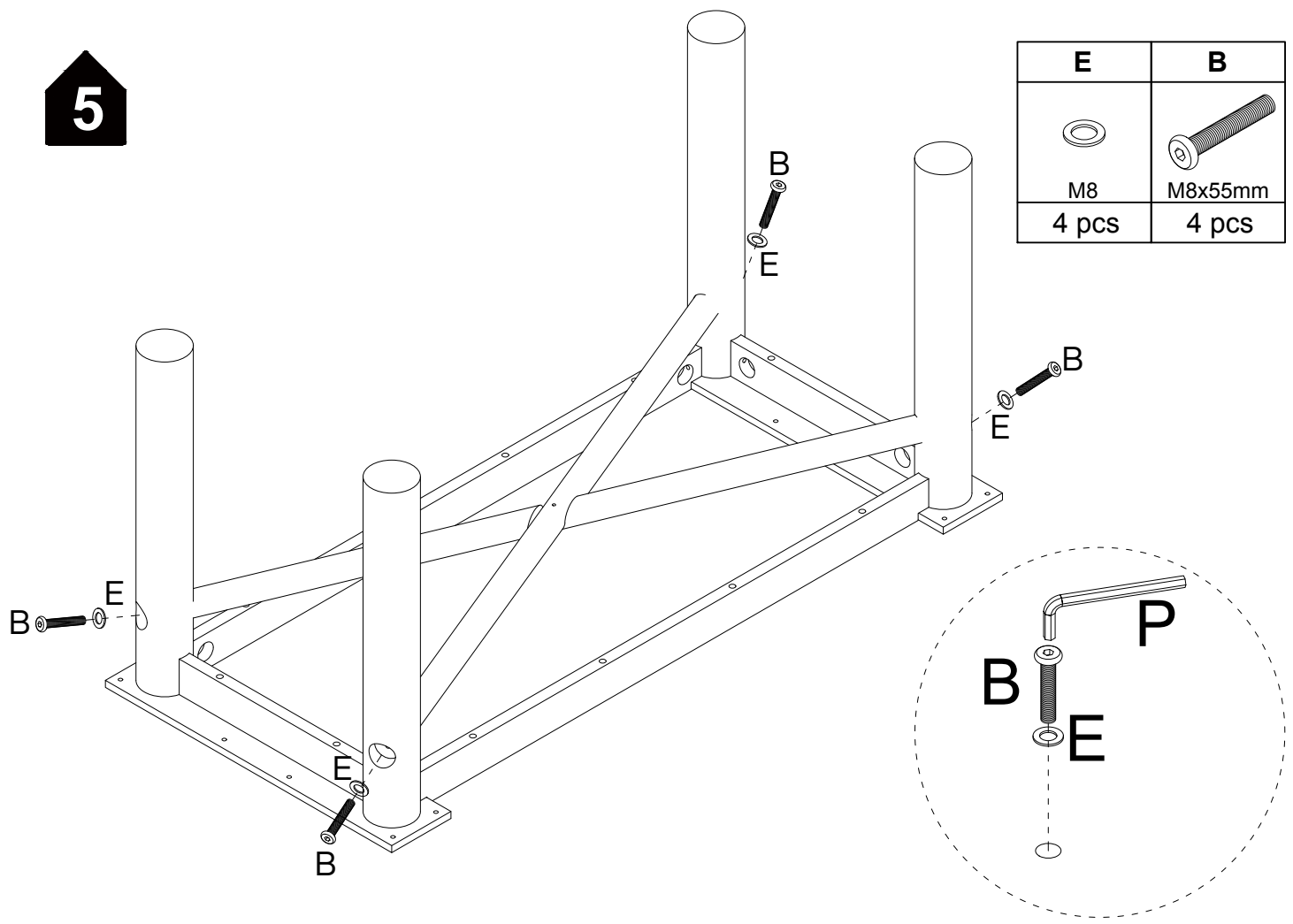



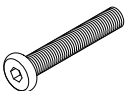
4

H	I	J
		
Ø8x60mm	M8	M8
4 pcs	4 pcs	4 pcs

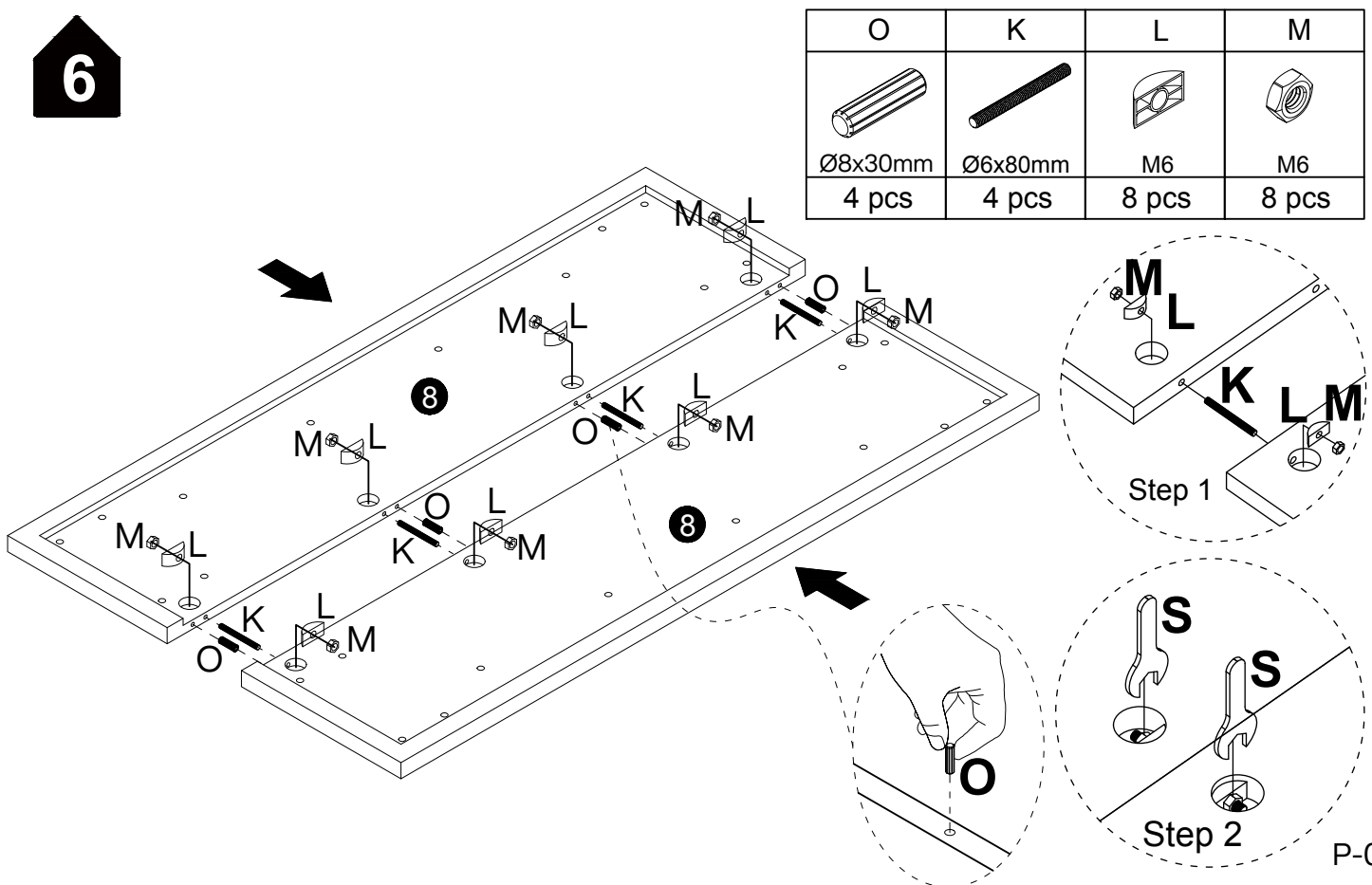




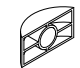

5



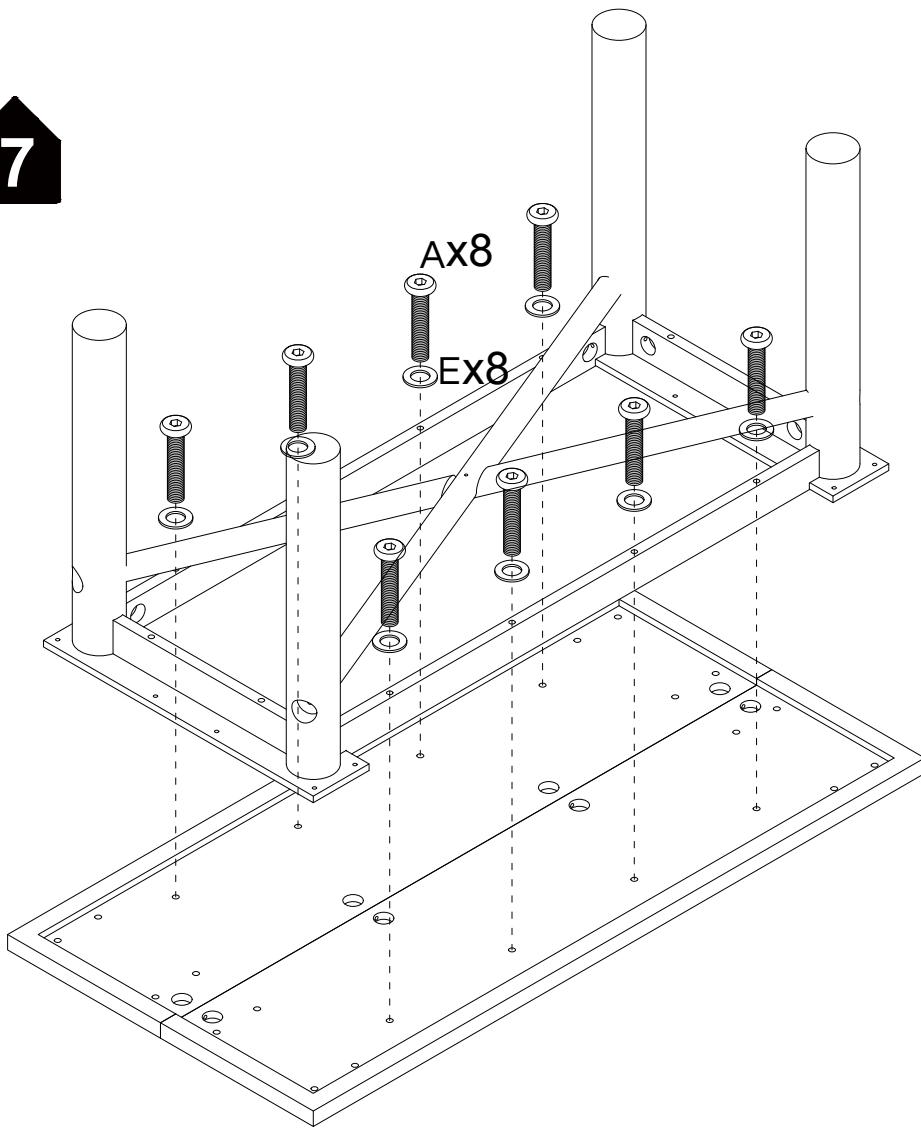
E	B
	
M8	M8x55mm
4 pcs	4 pcs

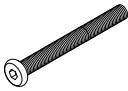

6

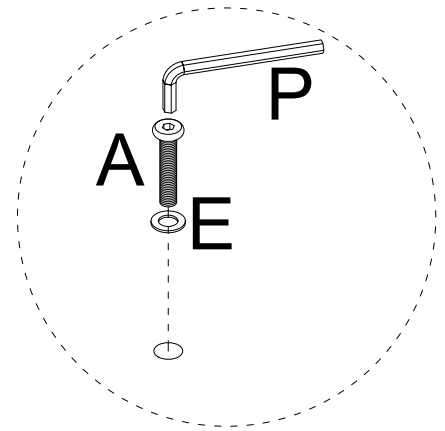


O	K	L	M
			
Ø8x30mm	Ø6x80mm	M6	M6
4 pcs	4 pcs	8 pcs	8 pcs

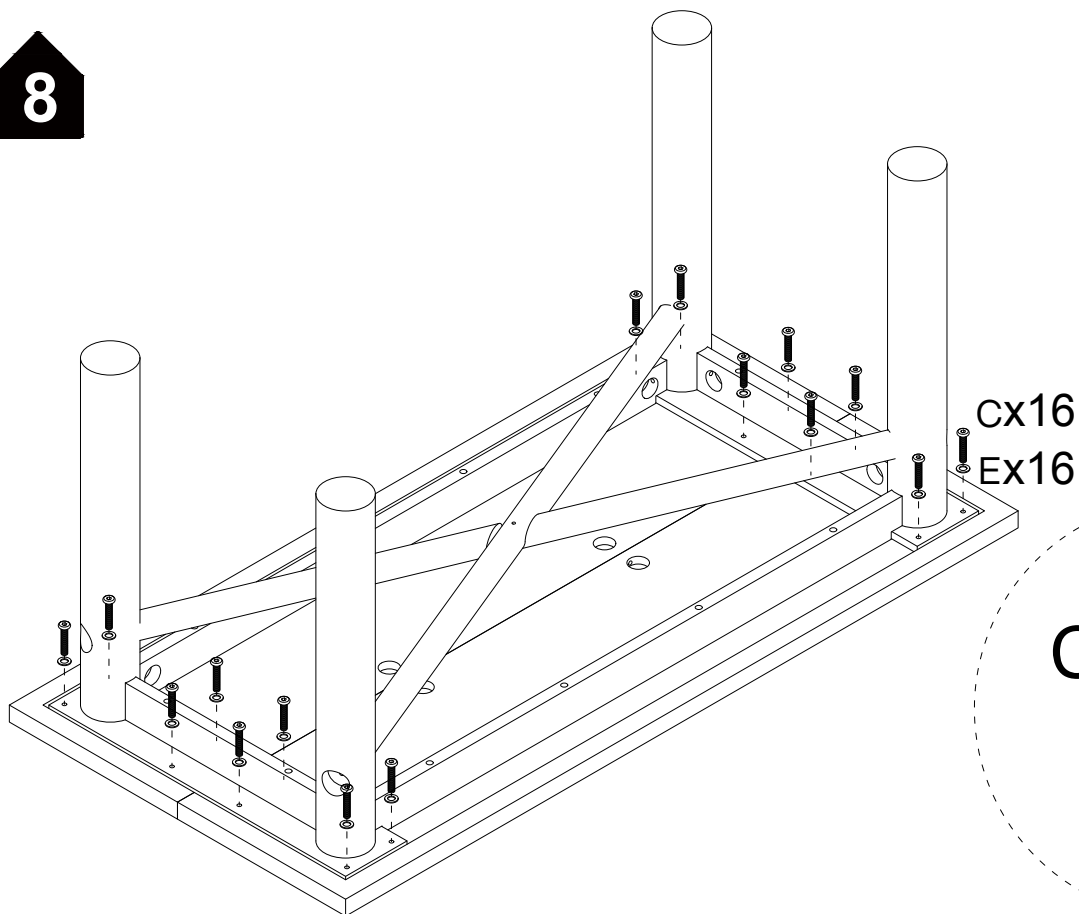
7

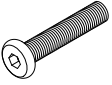



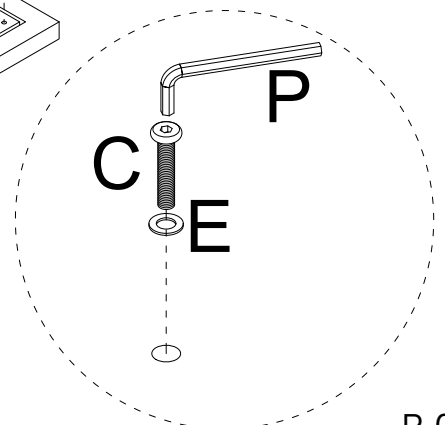
A	E
	
M8x85mm	M8
8 pcs	8 pcs



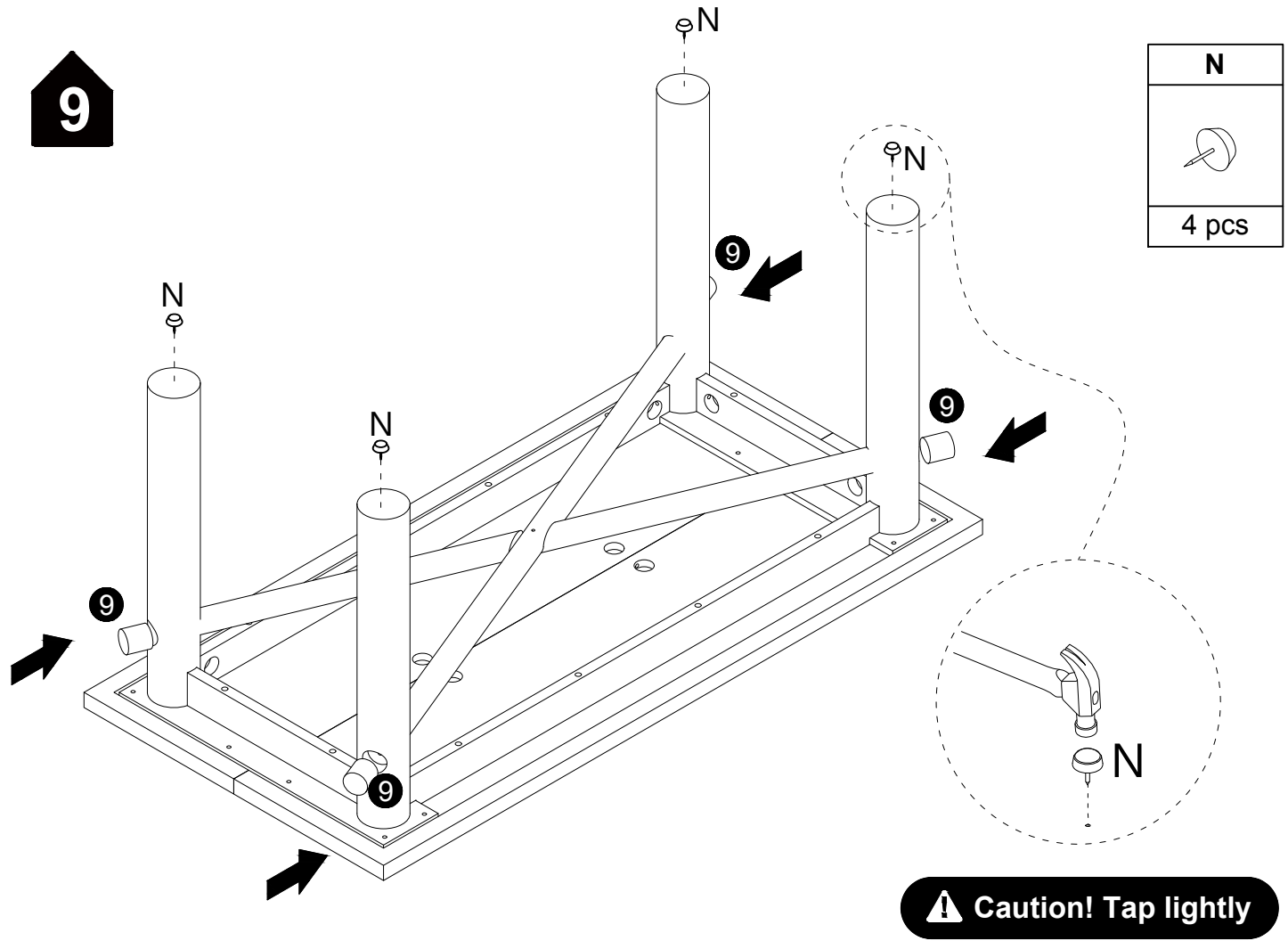
8



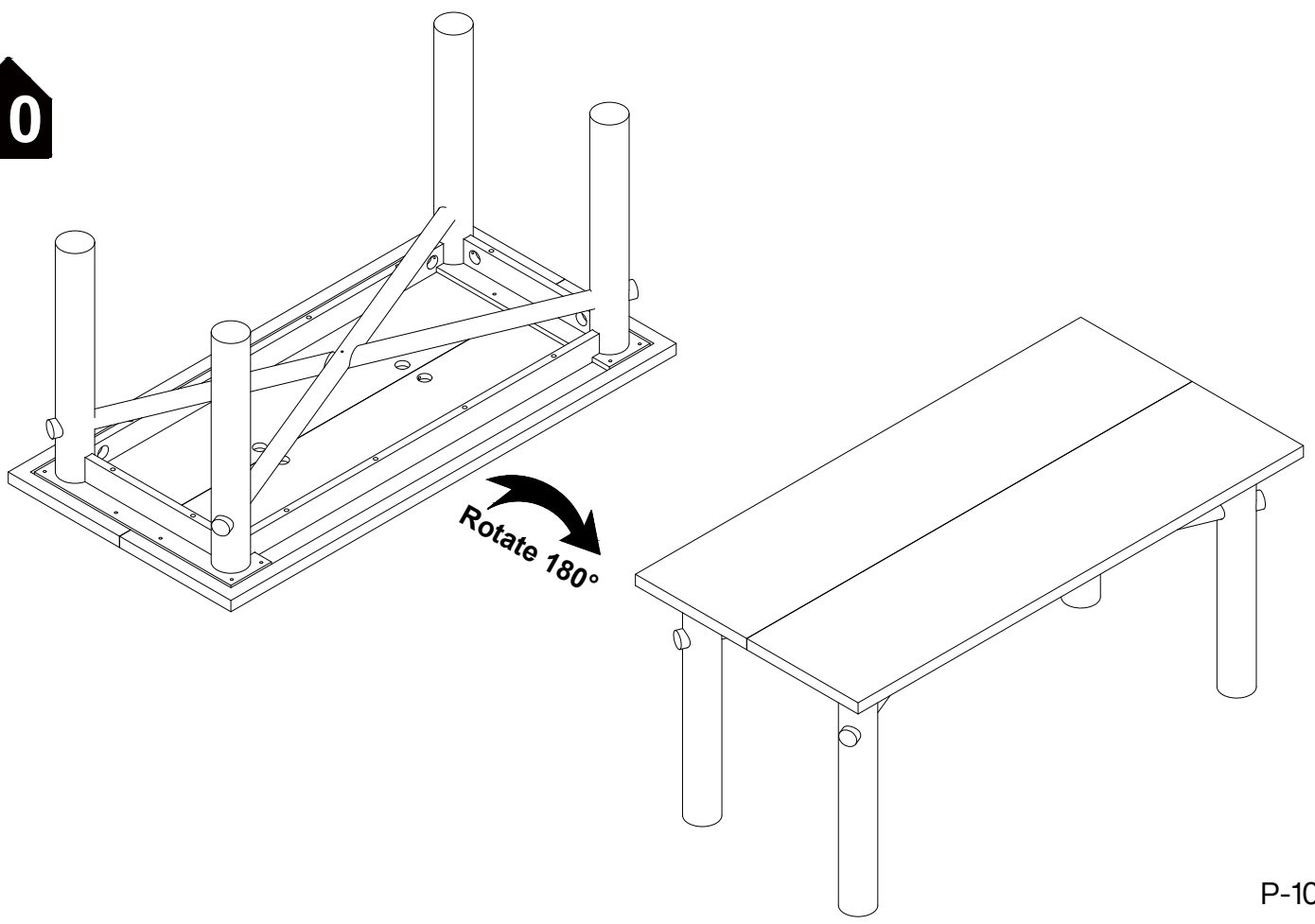
C	E
	
M8x30mm	M8
16 pcs	16 pcs



9



10



Thank you for your support!

