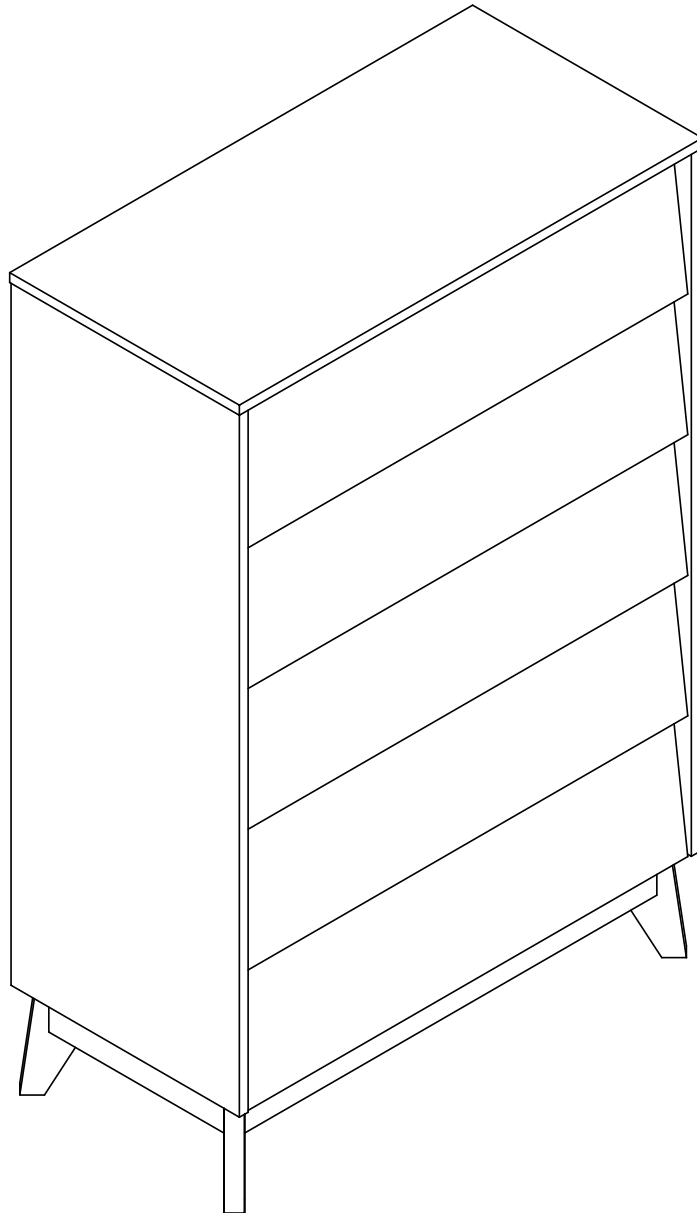


Cabinet

Assembly Instructions - Please keep for future reference



Dimensions

Width-31.4 inch
Depth-15.6 inch
Height-47.9 inch

Important – Please read these instructions fully before starting assembly



Safety and Care Advice

Important – Please read these instructions fully before starting assembly

- Check you have all the components and tools listed on the following pages.
- Remove all fittings from the plastic bags and separate them into their groups.
- Keep children and animals away from the work area, small parts could choke if swallowed.
- Make sure you have enough space to layout the parts before starting.

- During assembly do not stand or put weight on the product, this could cause damage.
- Assemble the item as close to its final position (in the same room) as possible.
- Assemble on a soft level surface to avoid damaging the unit or your floor.
- Parts of the assembly will be easier with 2 people.



- To reduce the likelihood of damaging your product please ensure that your power drill is set on a low torque setting.

Care and maintenance

• Only clean using a damp cloth and mild detergent, do not use bleach or abrasive cleaners.

• From time to time check that there are no loose screws on this unit.

• This product should not be discarded with household waste. Take to your local authority waste disposal centre.

Handy Hints

• Assemble all parts and bolts loosely during assembly, only once the product is complete should you fully tighten the bolts.

• Regularly check and ensure that all bolts and fittings are tightened properly.

WARNING

In order to help prevent overturning – please follow these instructions

To help prevent product toppling over please follow the below steps:-

Use the anti tip strap or wall fixing method provided (if applicable)

Do not allow children to climb or hang on the furniture

Do not open more than one drawer at a time

Do not place heavy items in the top drawers

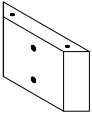

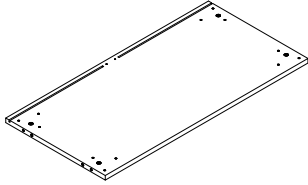
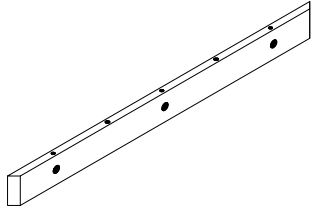
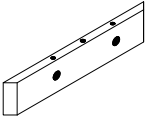
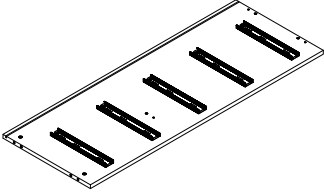
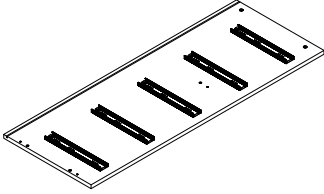
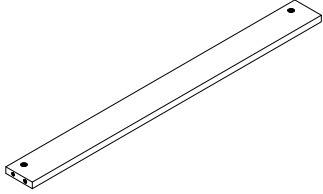
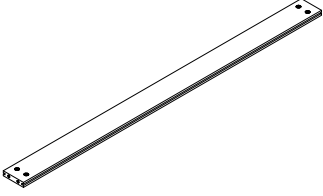
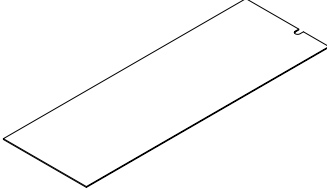
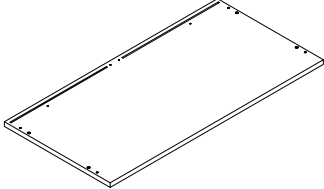
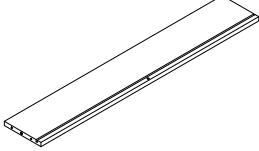
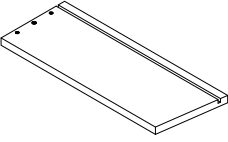
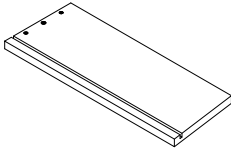
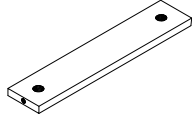
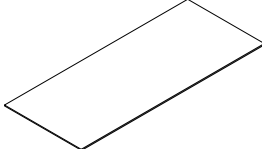
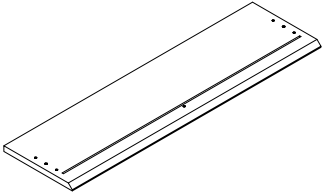
Do not place heavy items on top of the furniture, unless the furniture has been designed for this purpose

please note that only the anti tip strap is provided.

You will need to provide wall plugs and screws applicable for your wall type

Components - Panels


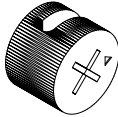
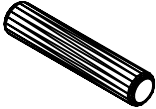


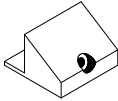

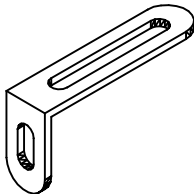
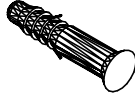

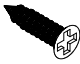
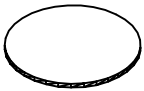
Please check you have all the panels listed below

<p>1</p>  <p>(100*60*15mm)*4</p>	<p>2</p>  <p>(154*80*25mm)*4</p>	<p>3</p>  <p>(764*375*15mm)*1</p>	<p>4</p>  <p>(712*60*15mm)*2</p>
<p>5</p>  <p>(302*60*15mm)*2</p>	<p>6</p>  <p>(1050*394*15mm)*1</p>	<p>7</p>  <p>(1050*394*15mm)*1</p>	<p>8</p>  <p>(764*70*15mm)*1</p>
<p>9</p>  <p>(1035*70*15mm)*1</p>	<p>10</p>  <p>(1046*358*3mm)*2</p>	<p>11</p>  <p>(798*396*15mm)*1</p>	<p>12</p>  <p>(714*120*12mm)*5</p>
<p>13</p>  <p>(308*120*12mm)*5</p>	<p>14</p>  <p>(308*120*12mm)*5</p>	<p>15</p>  <p>(296*60*12mm)*5</p>	<p>16</p>  <p>(725*305*3mm)*5</p>
<p>17</p>  <p>(760*209*15mm)*5</p>			

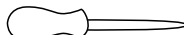
Components – Fittings

Please check you have all the panels listed below

Note: The quantities below are the correct amount to complete the assembly. In some cases more fittings may be supplied than are required.

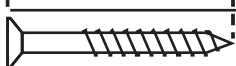
<p>A</p>  <p>Cam Bolt *54</p>	<p>B</p>  <p>Cam Lock *54</p>	<p>C</p>  <p>8*30mm Wooden Dowel*20</p>
<p>D</p>  <p>6*30mm Wooden Dowel *20</p>	<p>E</p>  <p>4*35mm Screw *40</p>	<p>F</p>  <p>Back Panel Stiffener *8</p>
<p>G</p>  <p>3.5*16mm Screw *8</p>	<p>H</p>  <p>50*24mm Wall Fixing Pack*2</p>	<p>I</p>  <p>Plastic cover*2</p>
<p>J</p>  <p>4*45mm Screw *2</p>	<p>K</p>  <p>4*13mm Screw *2</p>	<p>L</p>  <p>Sticker*20</p>

Tools required

 Phillips screwdriver
(medium & large)

Ruler - Use this ruler to help correctly identify the screws

0 5 10 15 20 25 30 35 40 45 50 55 60 65 70 75 80 85 90 95 100 105 110 115 120 125 130 135 140 145 150 155 160 165 170

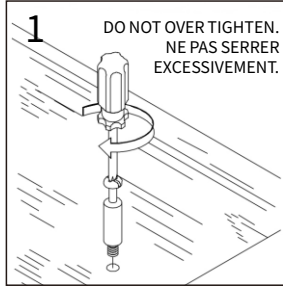


The screws length is measured from the head to the point (30mm screw shown).

Using Camlocks

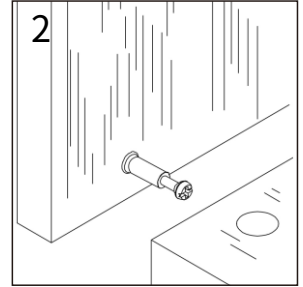
Step 1

Connect the male camlock as directed in the assembly instructions using a screwdriver.



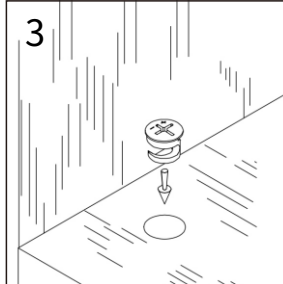
Step 2

Push the male camlock into the entry hole.



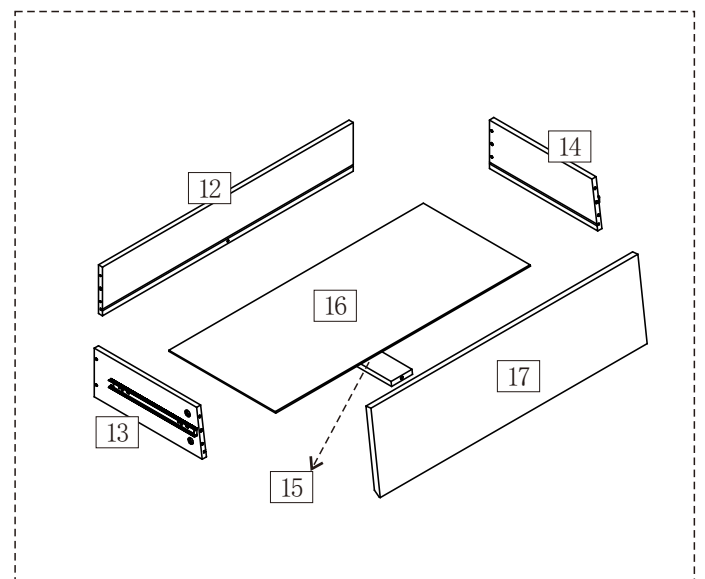
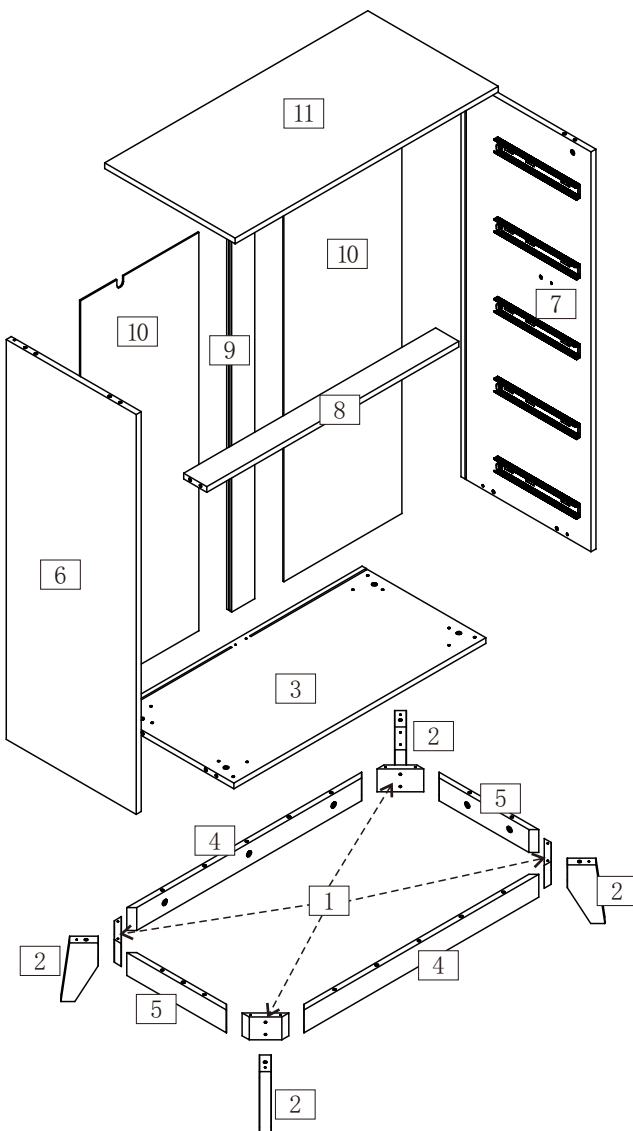
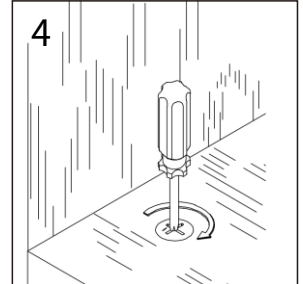
Step 3

Insert the female camlock as shown in the instruction.
Note: ensure that the arrow on the top of the camlock points towards the entry hole for the male camlock.



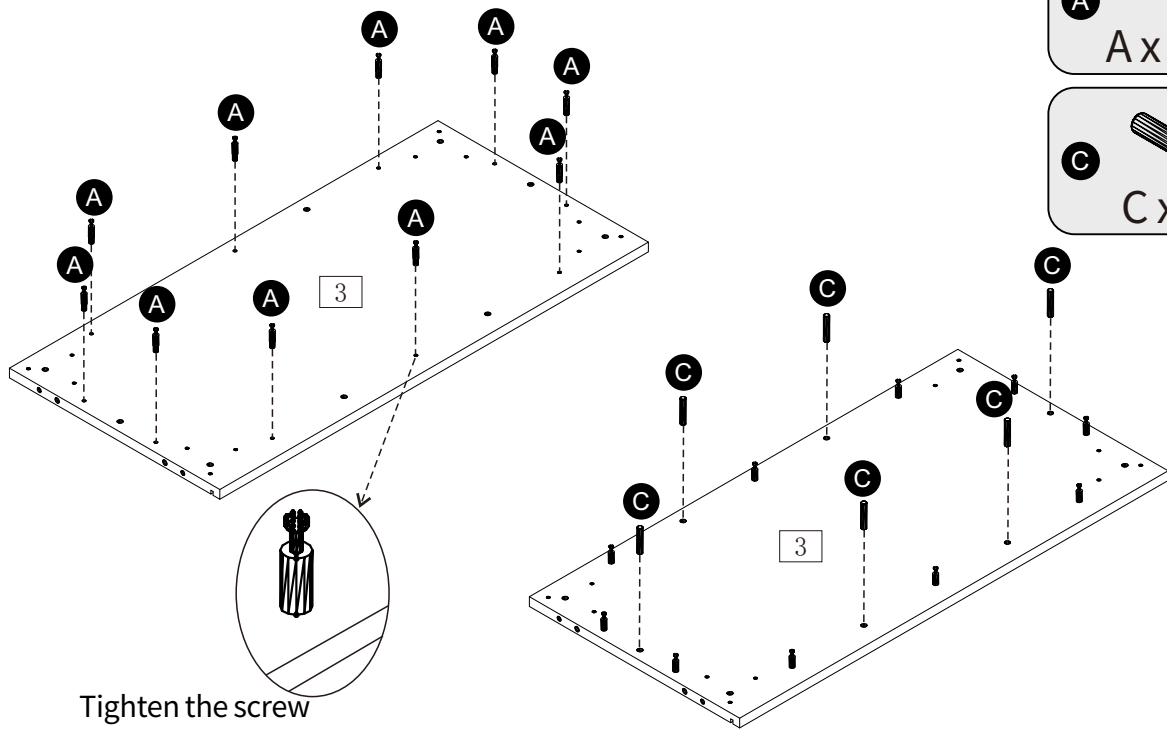
Step 4

Turn the female camlock clockwise with a screwdriver. You should feel a click when the camlock is locked in place. The joint is now secure.



Assembly instructions

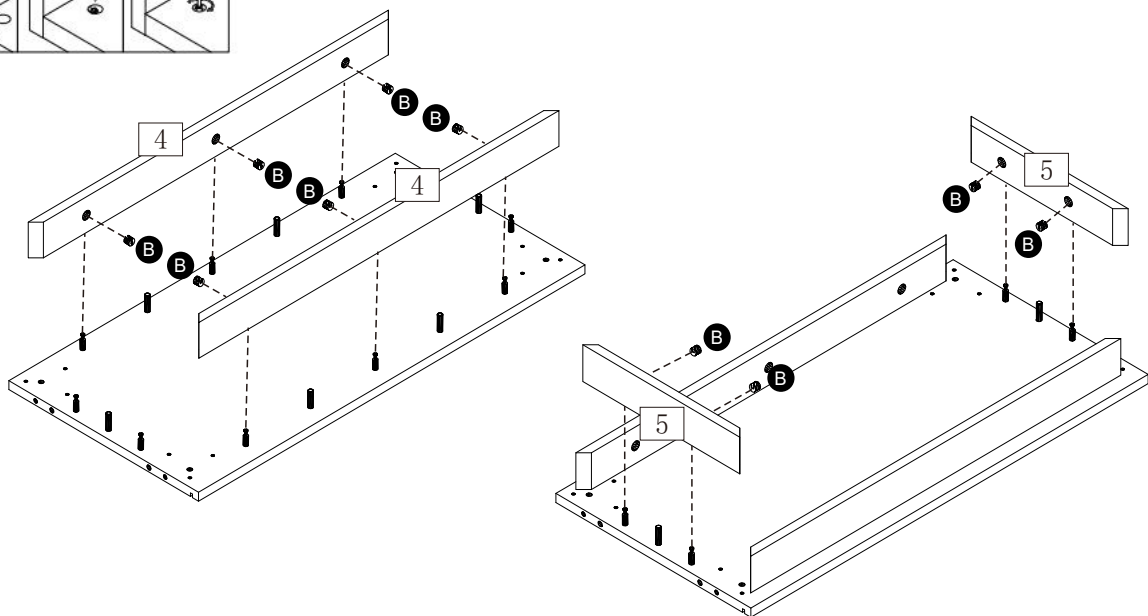
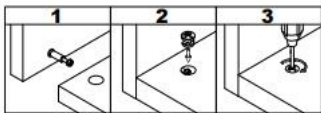
Step 1



Tighten the screw

Install Cam Bolt (A) and Wooden Dowel (C) on the bottom panel (3).

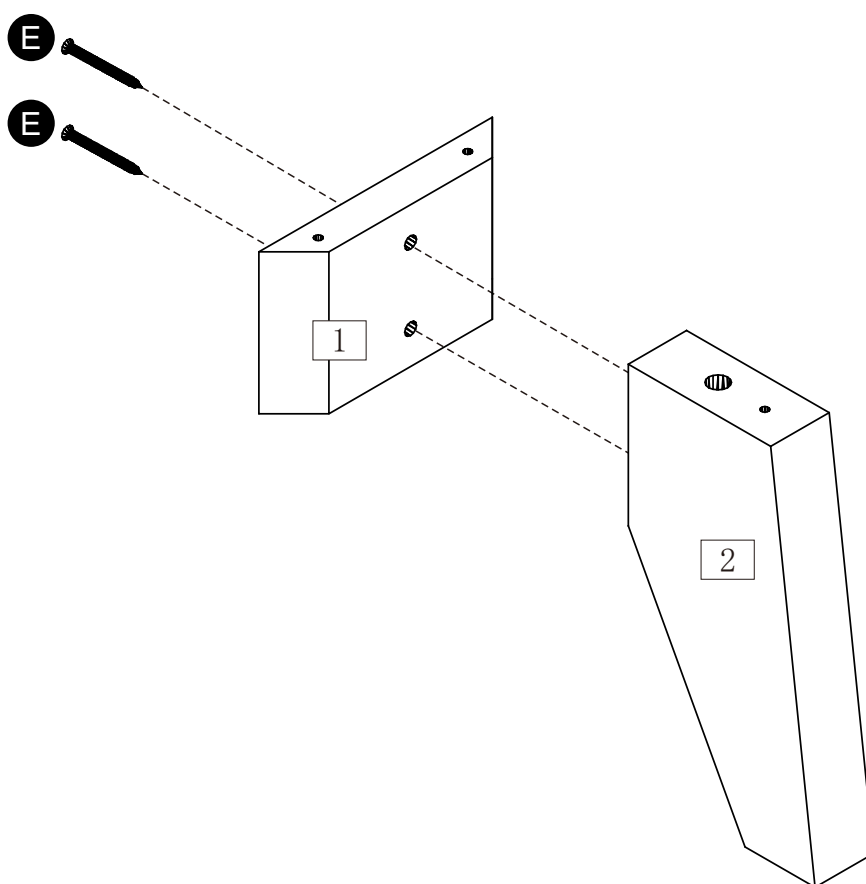
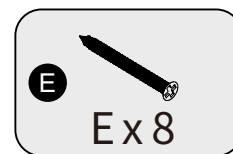
Step 2



Attach long slat (4) and short slat (5) to panel (3), then use Cam Lock (B) to lock it.

Assembly instructions

Step 3

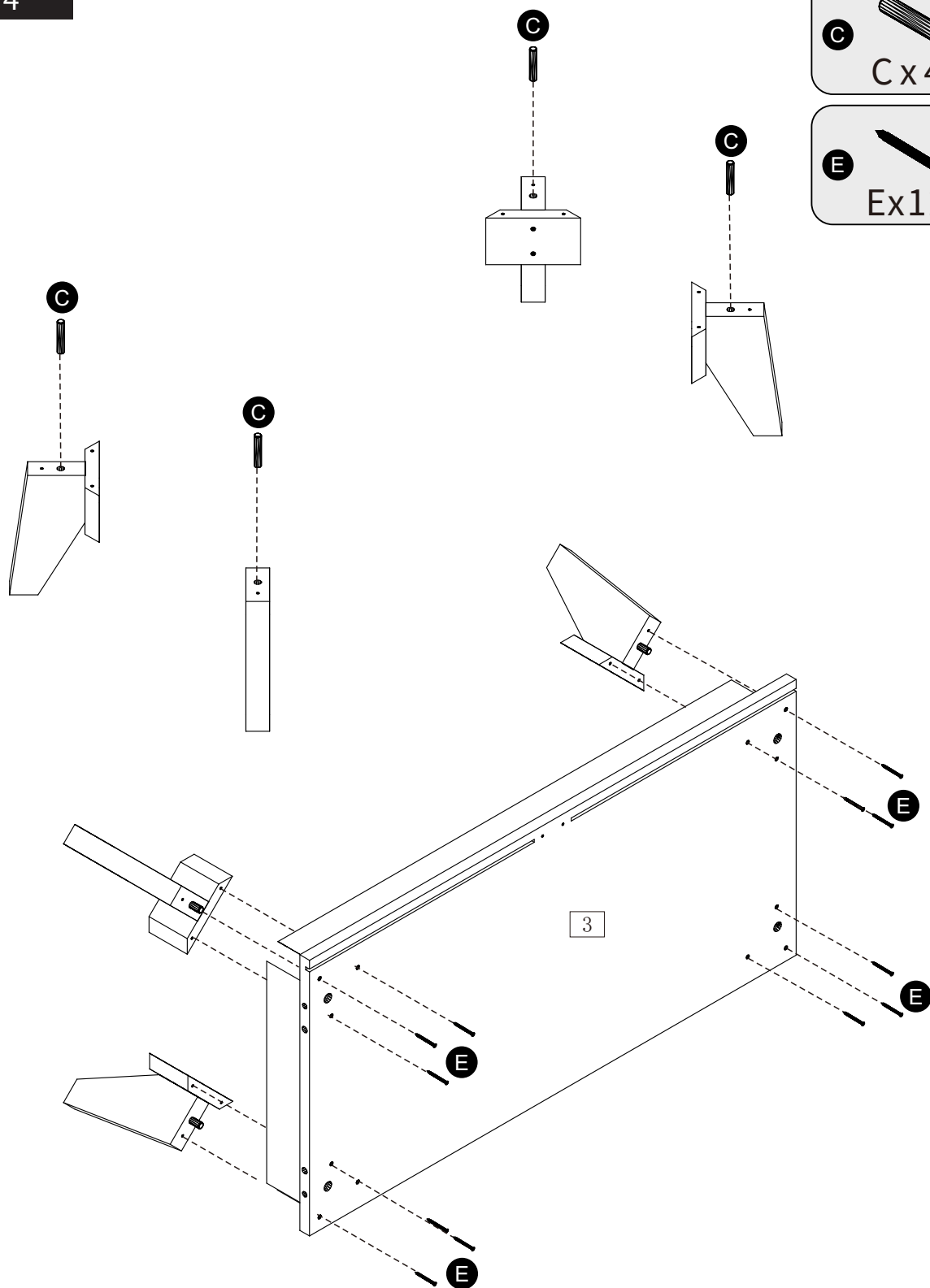


× 4

Use screw (E) to secure block(1) to block (2) with a screwdriver.

Assembly instructions

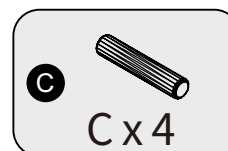
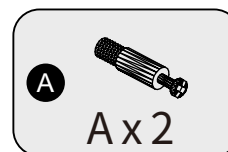
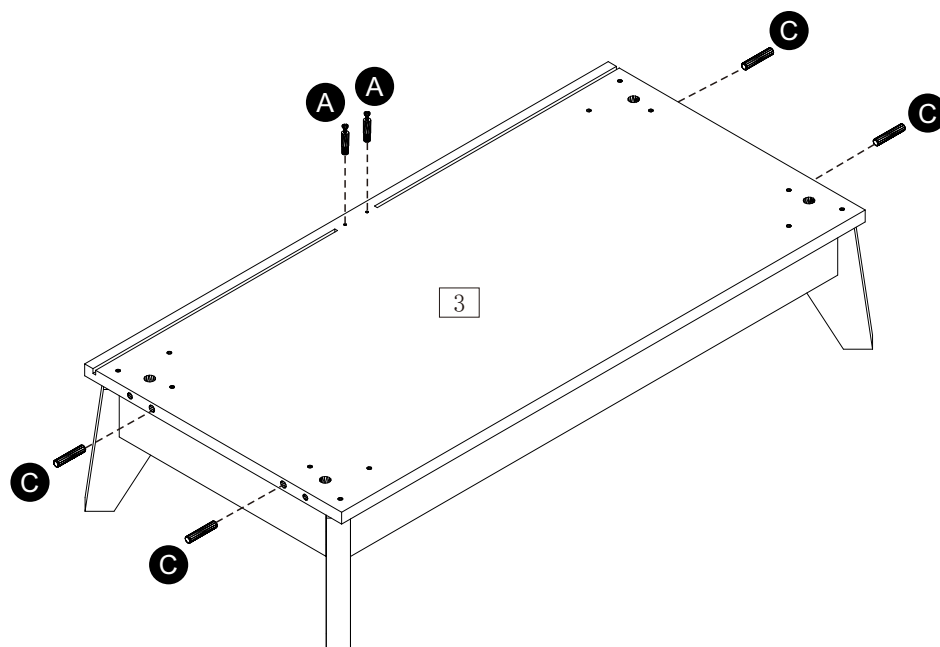
Step 4



Insert Wooden Dowel (C) to the connected leg, then, attach legs to part (3) and use screw (E) to lock it.

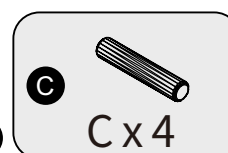
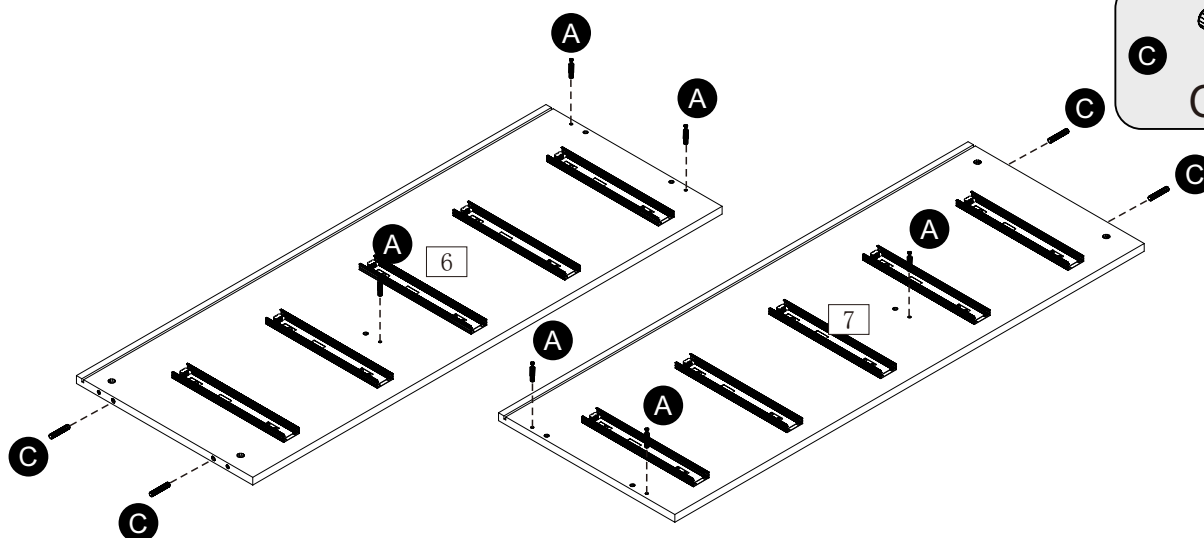
Assembly instructions

Step 5



Attach Wooden Dowel(C) and Cam Bolt(A) to the bottom panel(3)

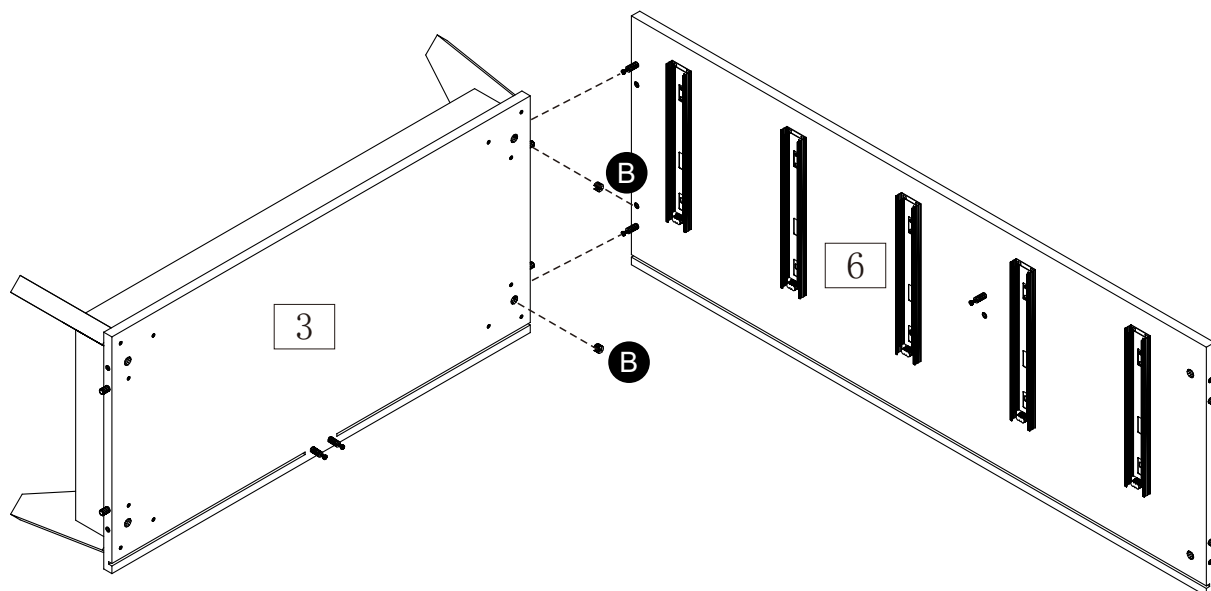
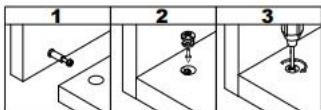
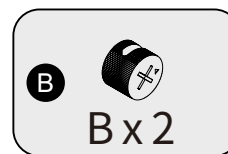
Step 6



Attach Cam Bolt(A) and Wooden Dowel(C) to the panel(6&7)

Assembly instructions

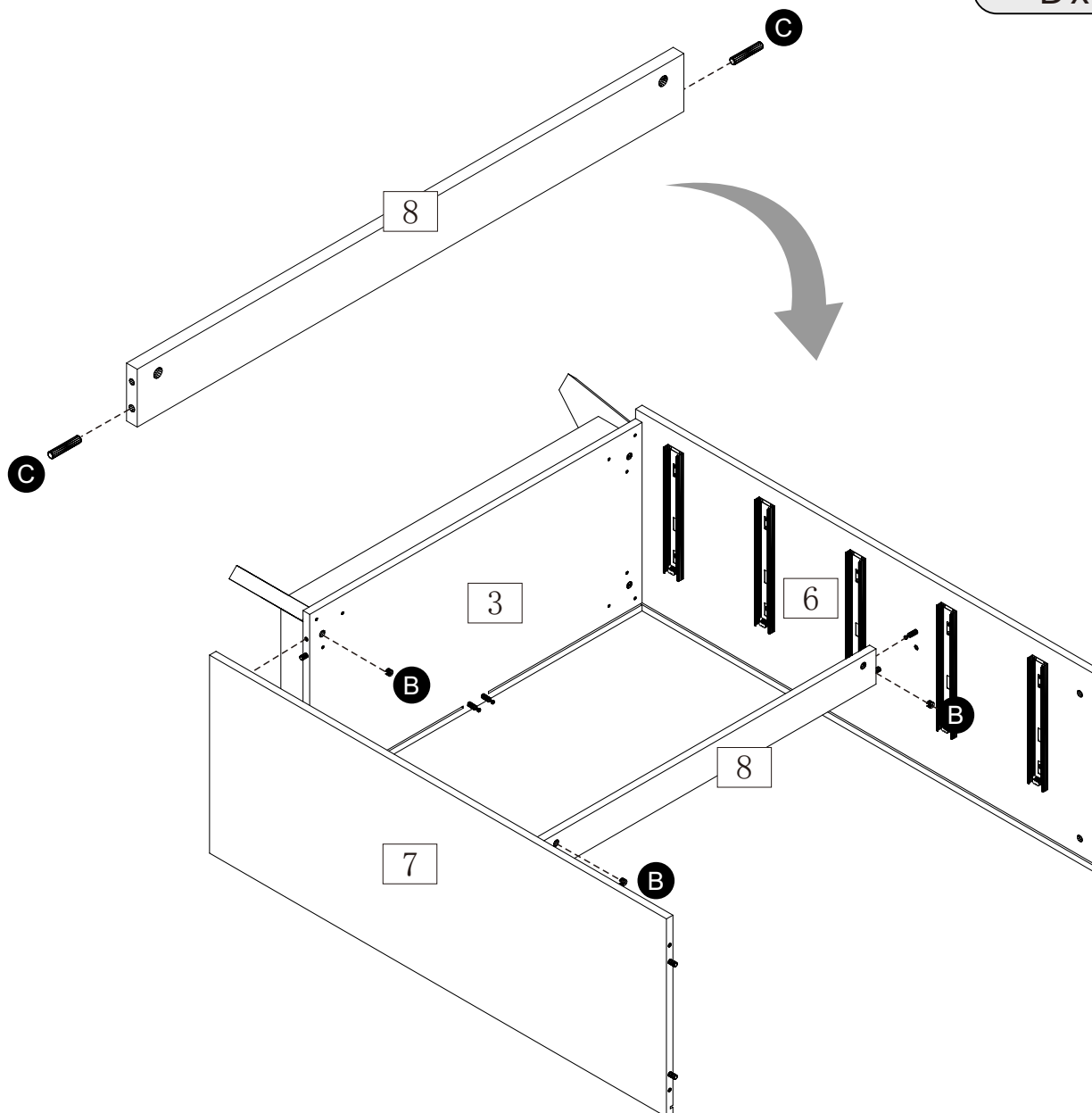
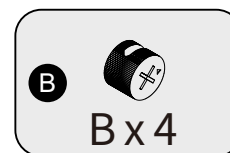
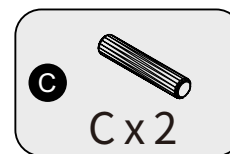
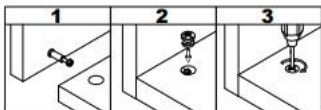
Step 7



Attach panel (6) to panel (3), then insert Cam Lock (B) to panel (3) to lock it.

Assembly instructions

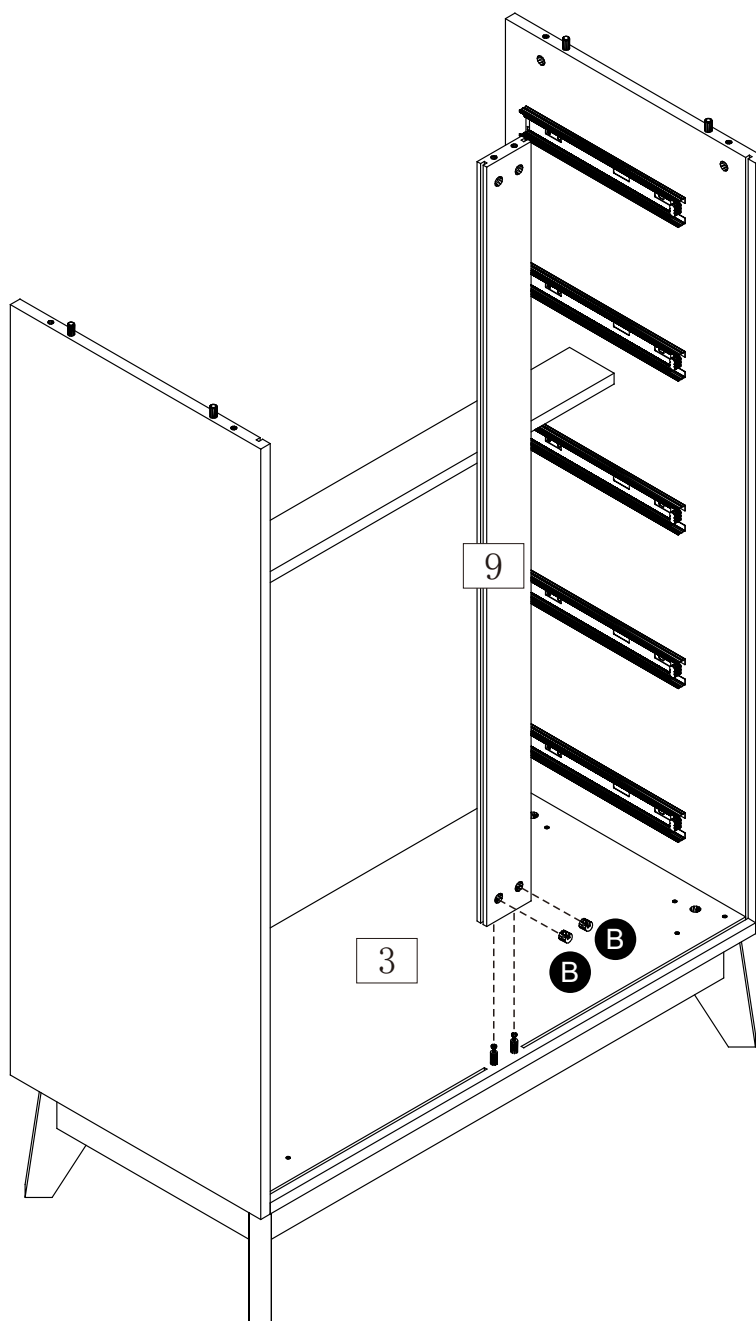
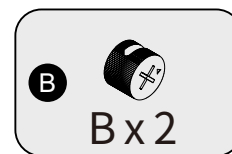
Step 8



Insert the Wooden Dowel (c) to part(8),then attach it to panel(6), and insert Cam Lock(B) to panel(8) to lock it. Slide panel (7) to into panel (3.8) , and insert Cam Lock(B) to panel(3.8) to lock it.

Assembly instructions

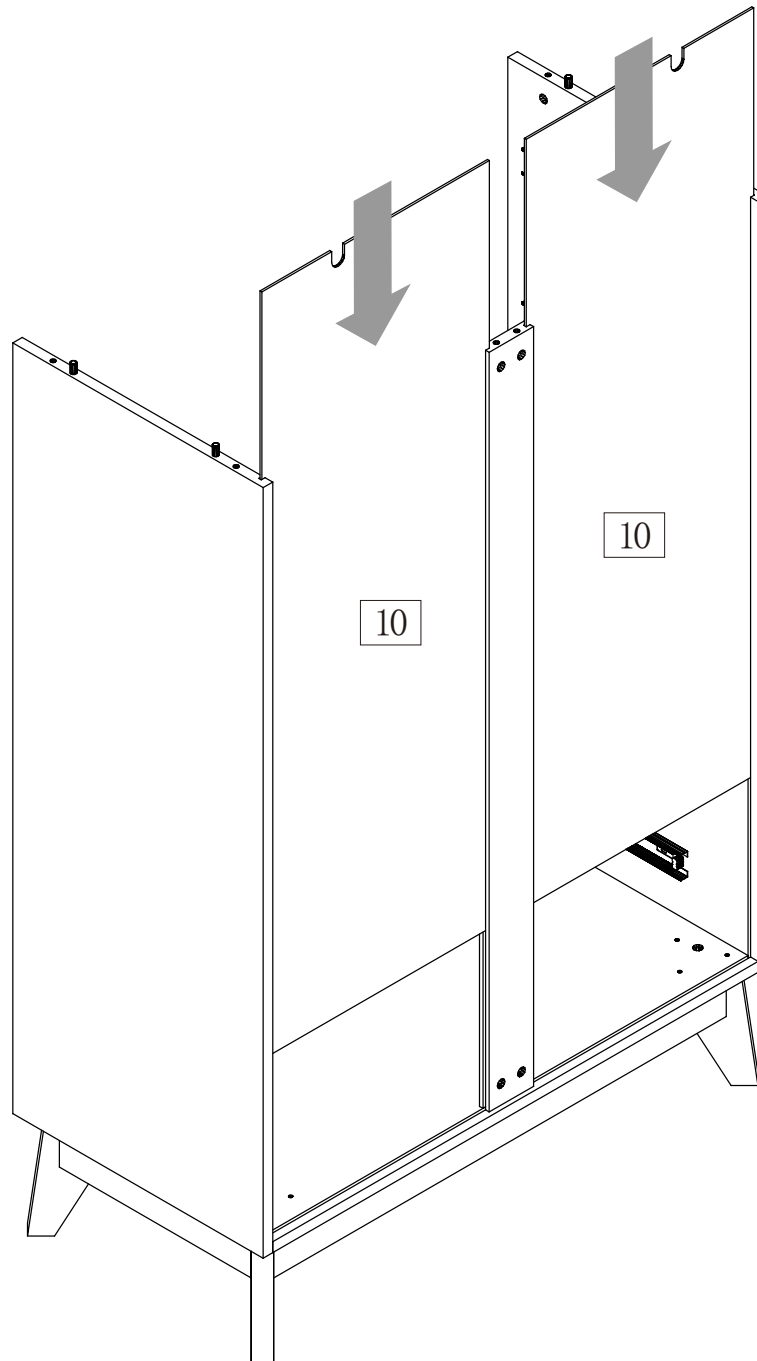
Step 9



Attach part(9) to panel(3), then insert Cam Lock(B) to panel(9) to lock it.

Assembly instructions

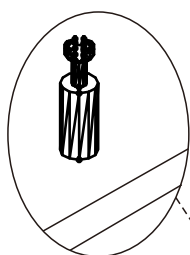
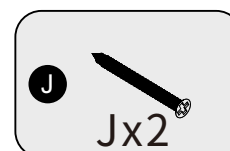
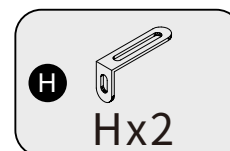
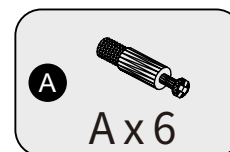
Step 10



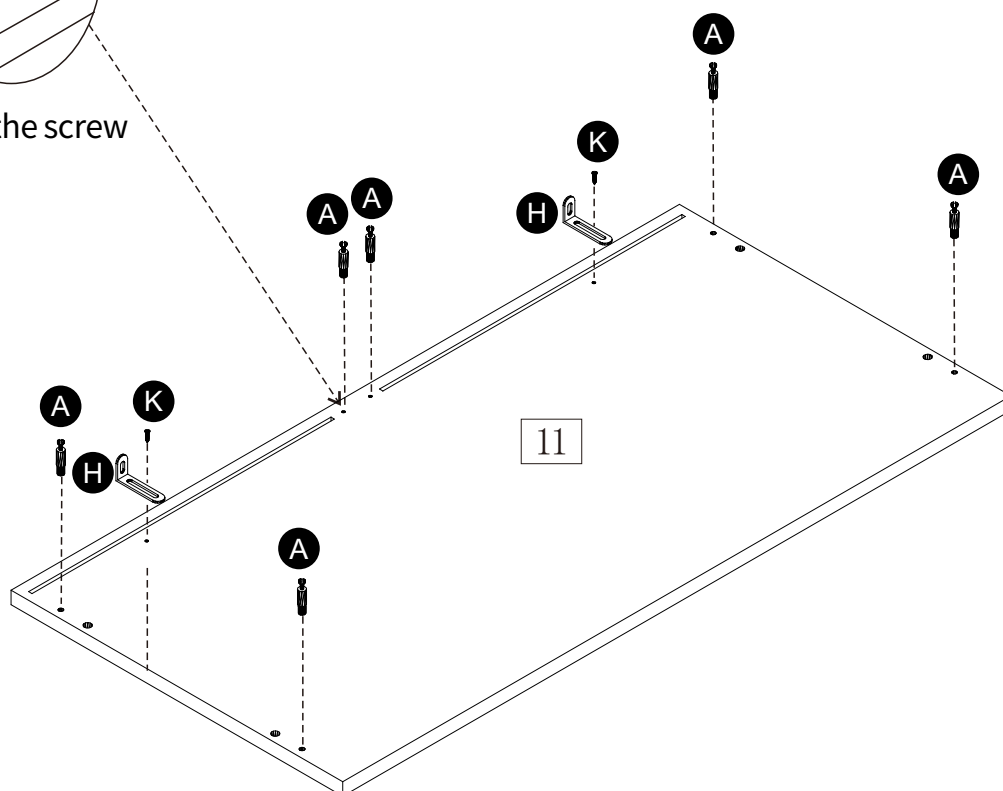
Slide the back panel(10) into grooves as per diagram.

Assembly instructions

Step 11



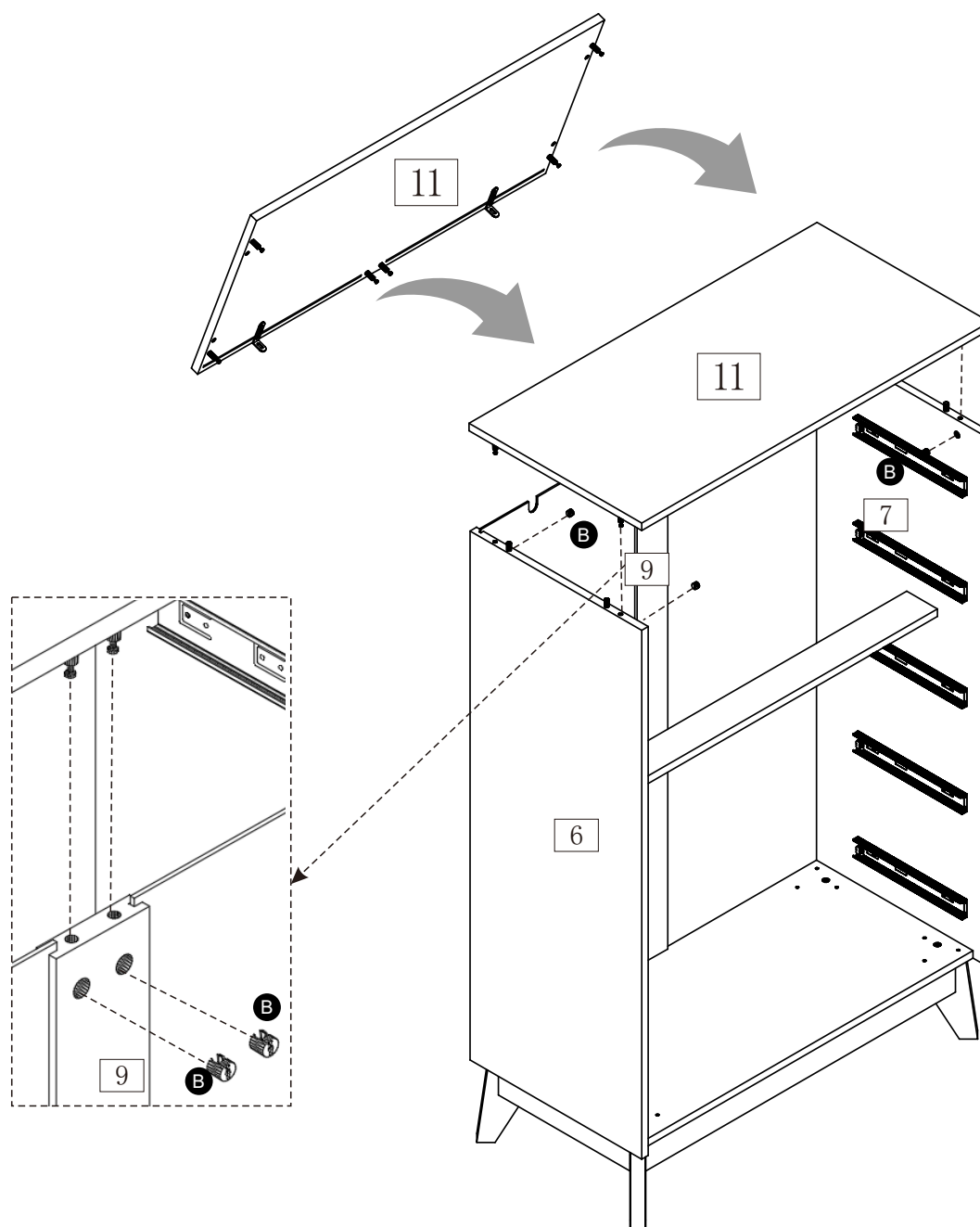
Tighten the screw



Attach Cam Bolt (A) to the top panel (11) with a screwdriver. Then use screw (K) to attach part (H) and part (11) , do not tighten the screw.

Assembly instructions

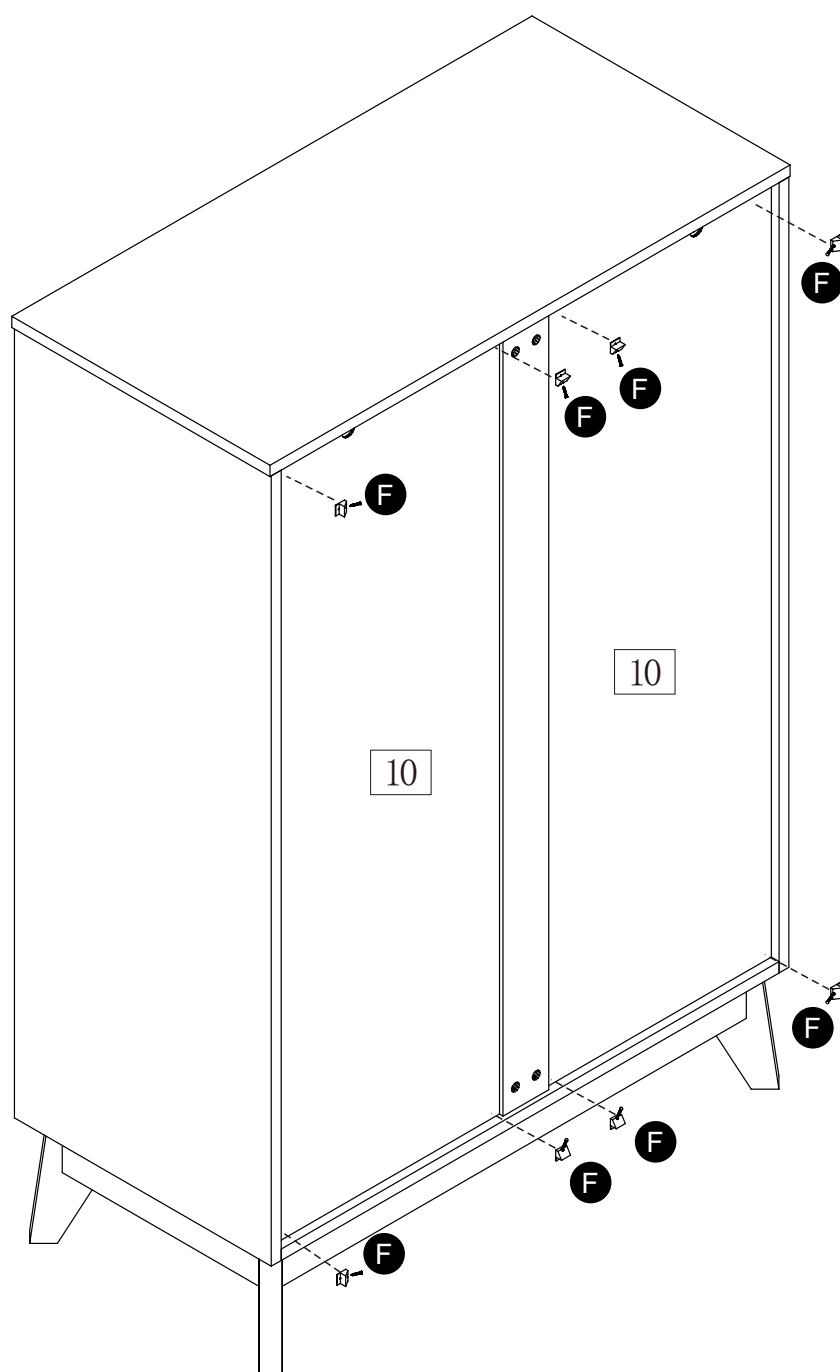
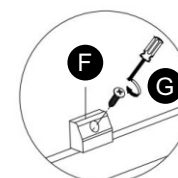
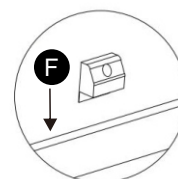
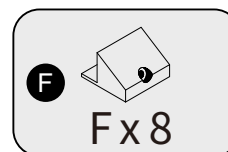
Step 12



Turn over the panel(11) and attach it to the panel(6&7) and panel(9), then insert Cam lock(B) to panel(6,7,9) to lock it.

Assembly instructions

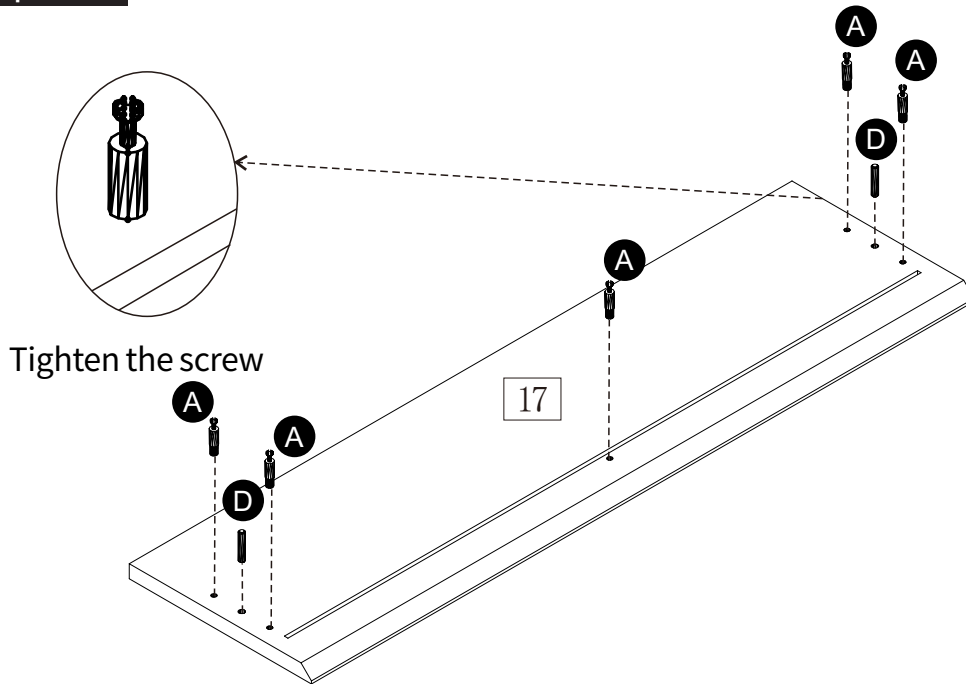
Step 13



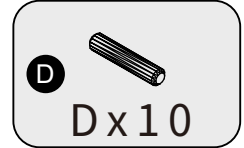
Install the Back Panel Stiffener (F), use screw (G) to lock it.

Assembly instructions

Step 14



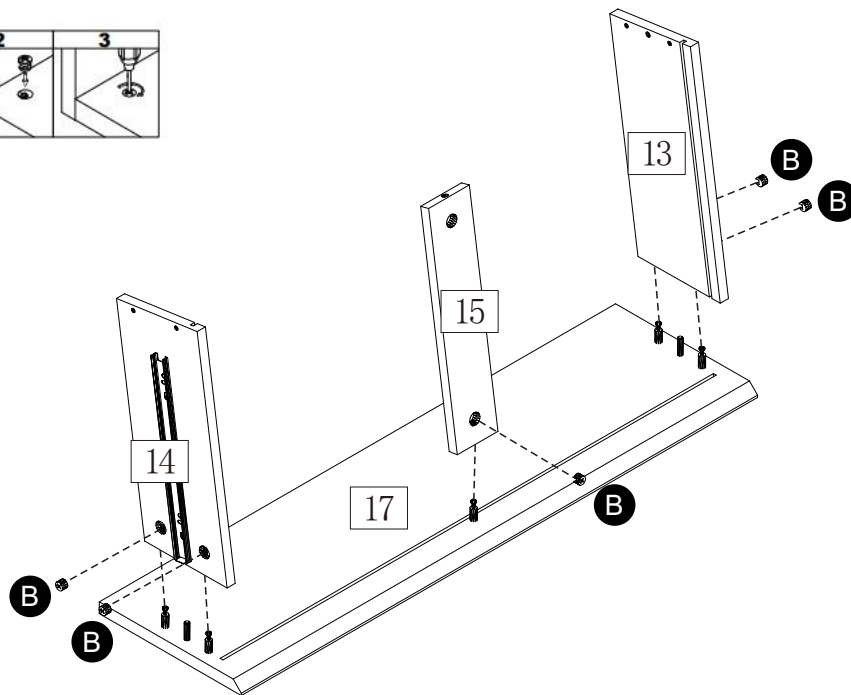
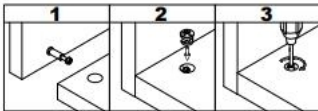
Tighten the screw



×5

Attach cam bolt (A) and wooden dowel (D) to the panel (17) and lock it.

Step 15

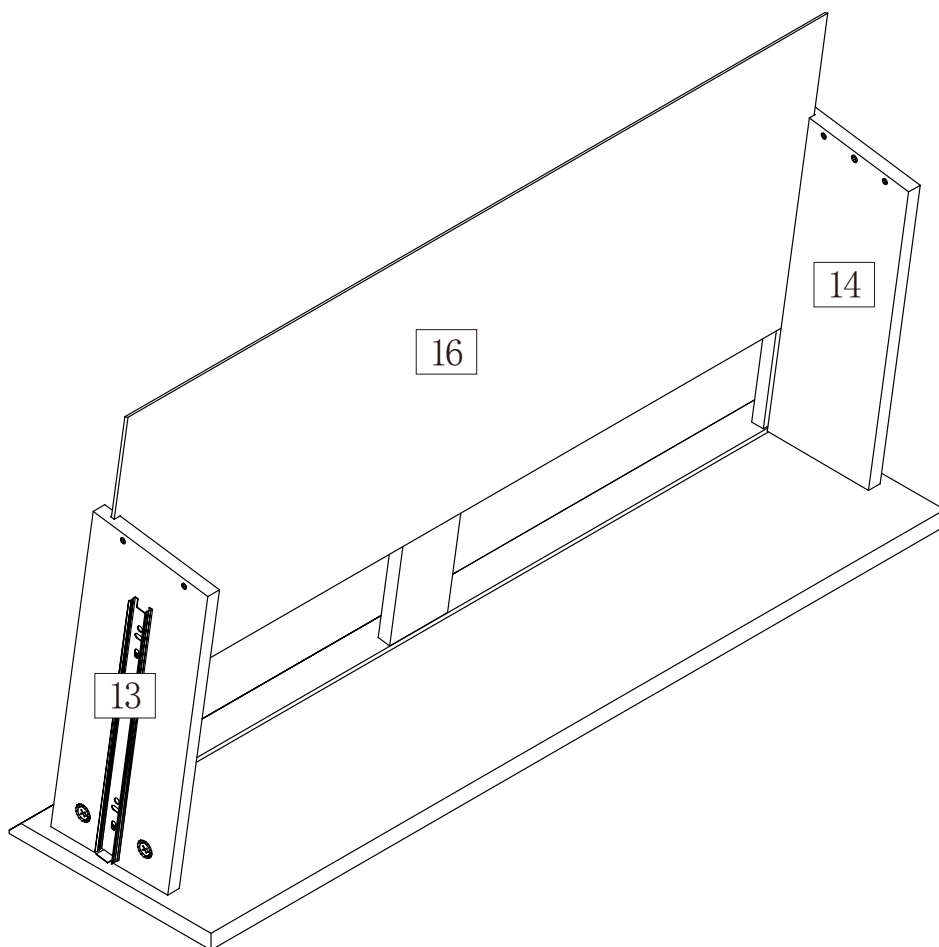


×5

Attach part (13) to part (14,15,17), then use Cam Lock(B) to lock it.

Assembly instructions

Step 16

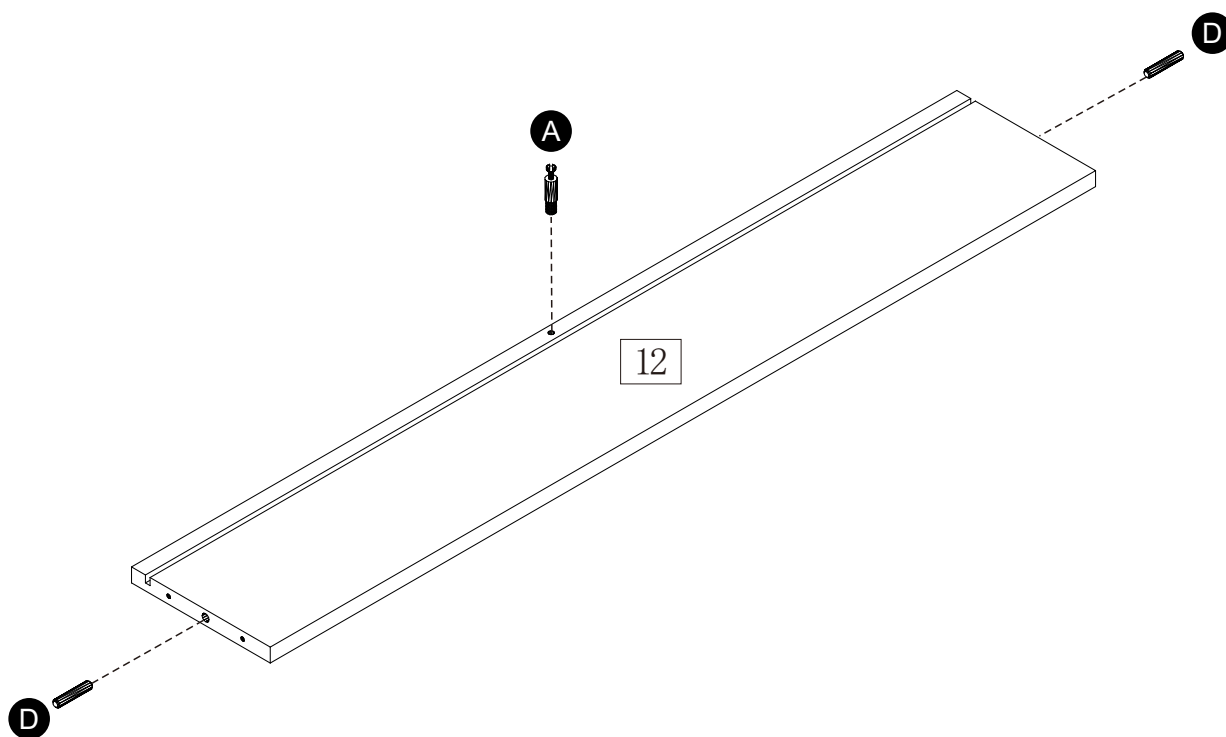
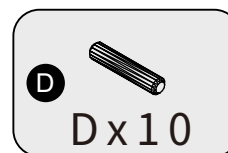


× 5

Slide panel (16) into grooves as per diagram.

Assembly instructions

Step 17

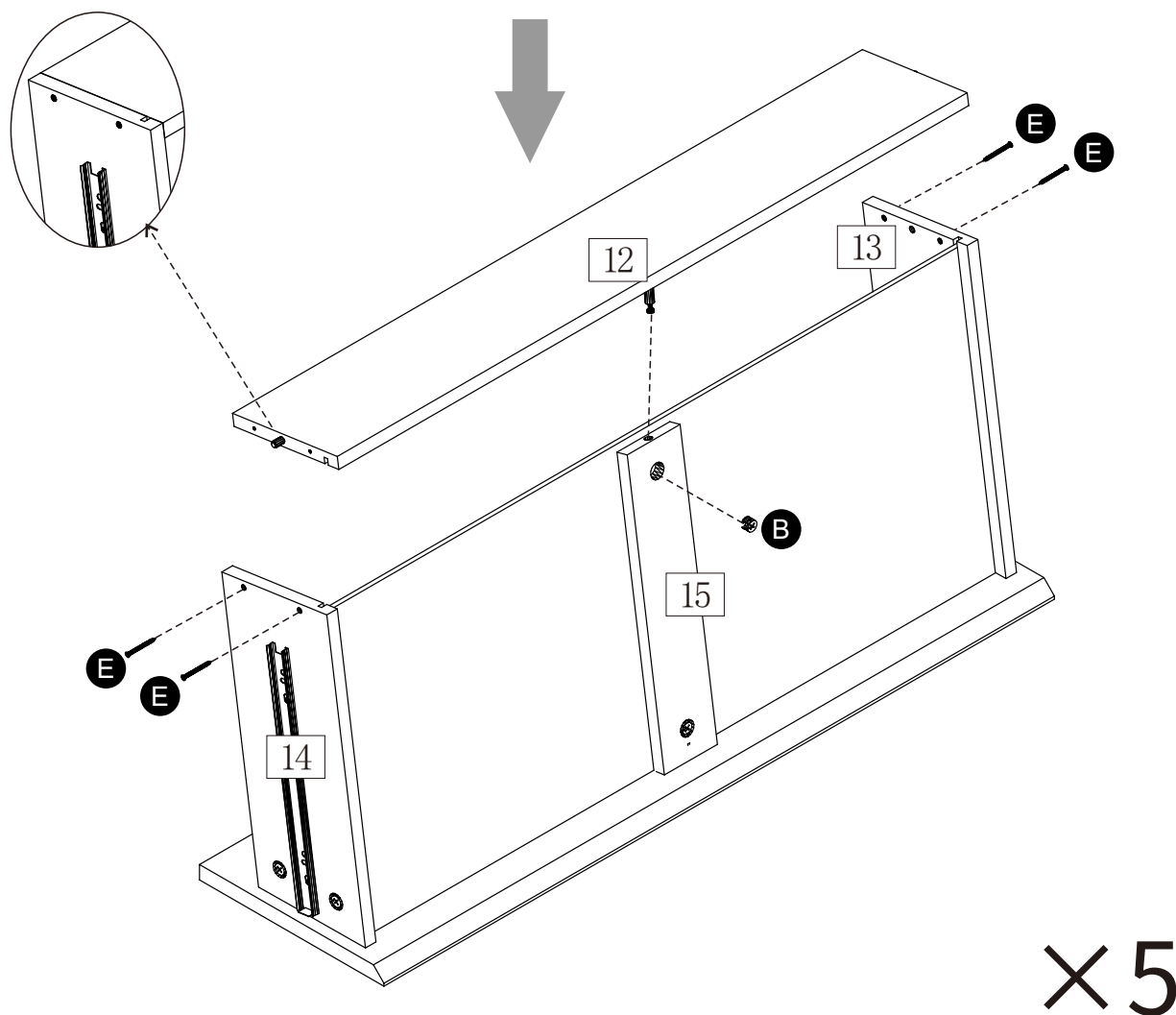
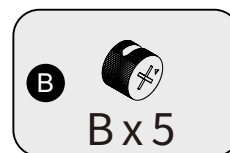
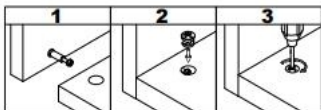


× 5

Attach Cam bolt (A) and wooden dowel (D) to panel (12) with a screwdriver.

Assembly instructions

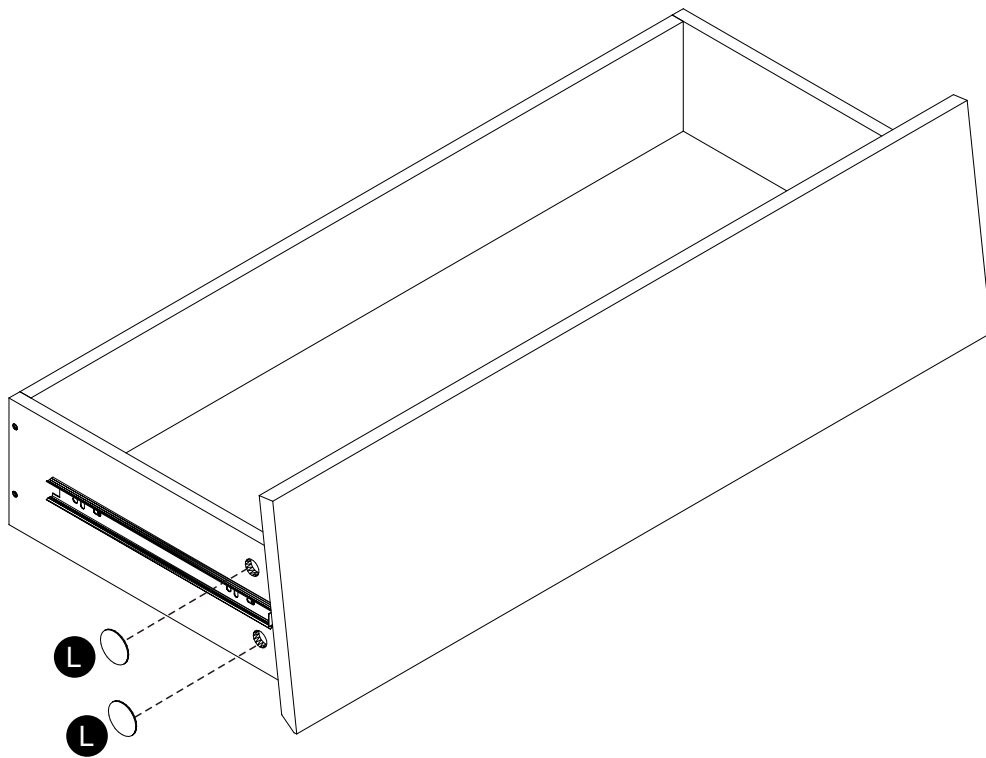
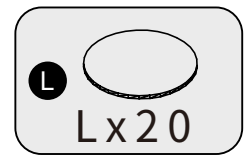
Step 18



Slide panel (12) into the drawer, use screw (E) to attach to panel (13.14), then insert Cam lock(B) to panel(15) and lock it.

Assembly instructions

Step 19

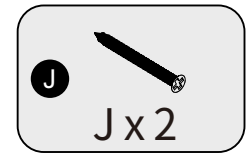
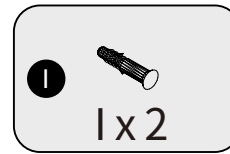


×5

Use sticker (L) to cover screw holes.

Assembly instructions

Step 20



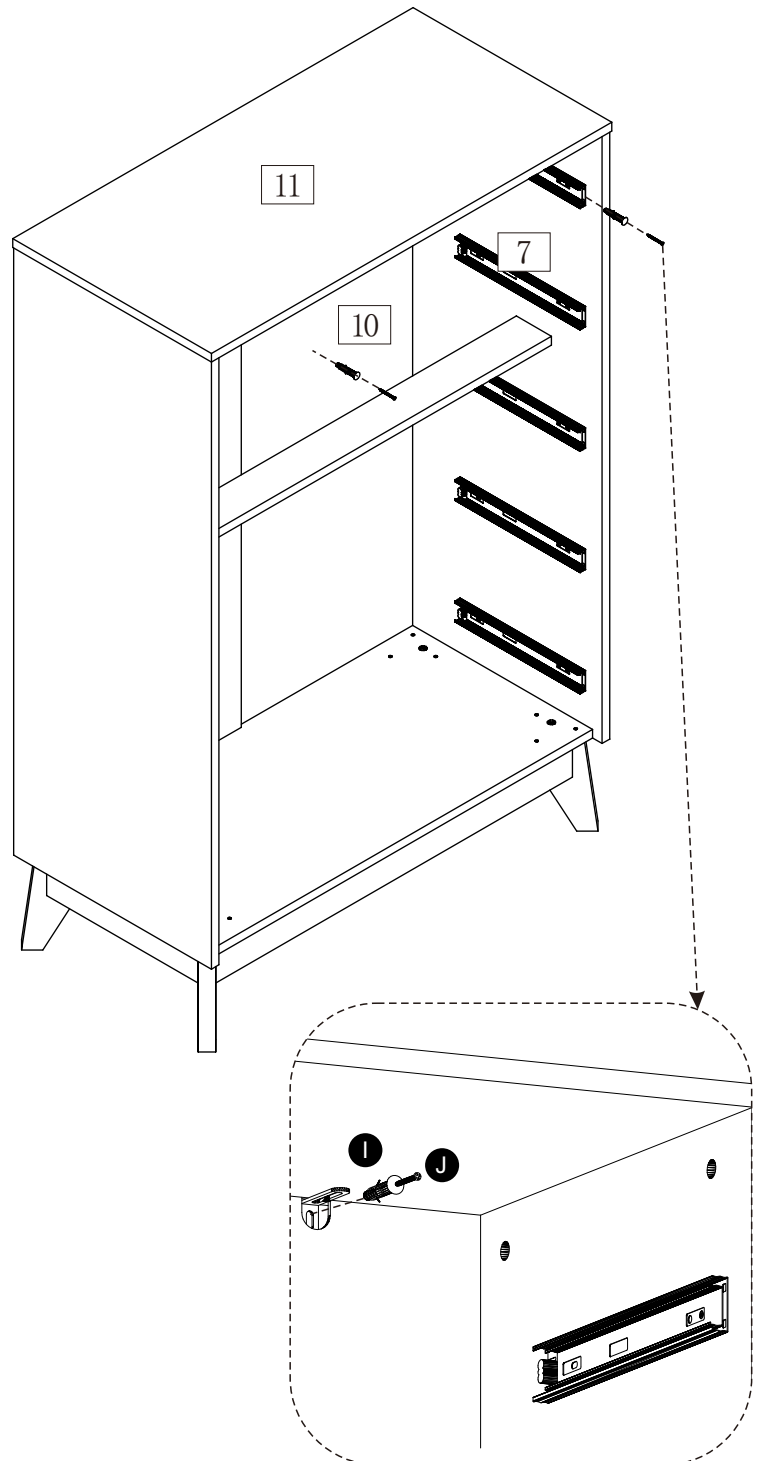
It is highly recommended that the unit is secured to the wall.

1. Move the unit into desired position.
2. Mark the wall on which the fixing holes needed to be drilled
3. Drill holes and insert wall plugs (I). Only one type of wall plug is provided.



Warning:
Before drilling, check wall for hidden pipes and cables!

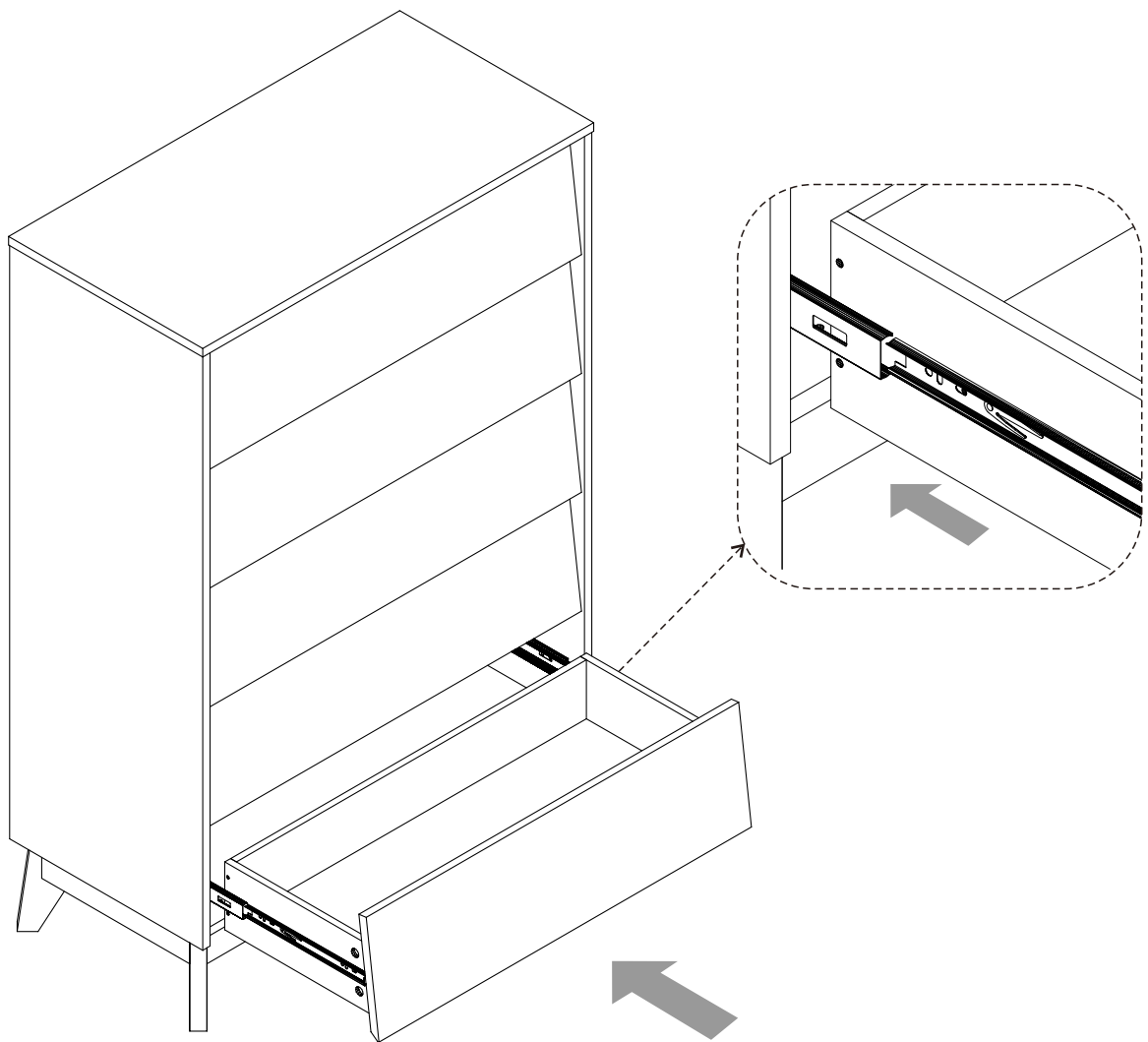
4. Pass L-shaped fixture (H) through the notch of the back panel (10), then secure it to the wall using screws (J) and plastic cover (I), finally, use screws (k) to lock the panel (11)



Assembly instructions

Step 21

⚠ It is highly recommended that the unit is secured to the wall. You can skip to the next step first, then come back to this step once the dresser is secured to the wall.



Attention:

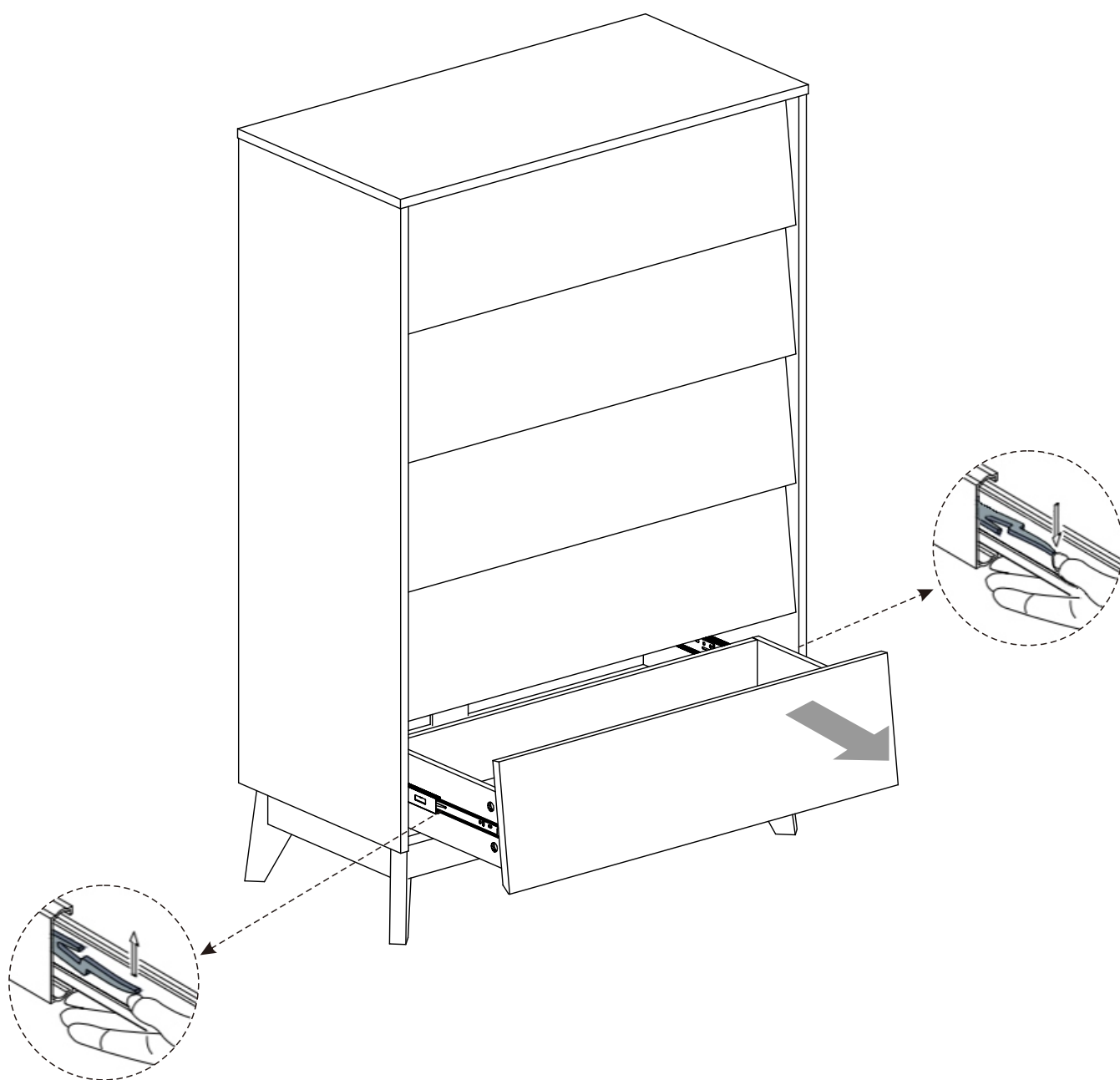
1. Pull out the rail installed on the cabinet.
2. Align the slide runners on the drawer with the unit and push it carefully inside until it stops.

★ If the drawer does not go in smoothly please take it out and repeat the steps.

Assembly instructions

Step 22

⚠ If you need to remove the drawer, please follow these steps:
Fully extend the drawer and locate the release latch on the drawer rail.
Push the latch on the left side up and the latch on the right side down.
While supporting the drawer, pull it outwards to detach it.



A Guide to Wall Mounting & Fixings

Important note:



Important: when drilling into walls always check that there are no hidden wires or pipes etc.

If plastic wall plugs (rawl plugs) are supplied with your product, e.g.:




–these are only suitable for use in masonry walls.

If you are in any doubt about the correct wall plugs for your wall, seek professional advice.

Failure of the product due to using the incorrect fixings is the responsibility of the installer.

Make sure that the screws and wall plugs being used are suitable for **supporting your unit**. **Consult a qualified tradesperson if you are unsure.**

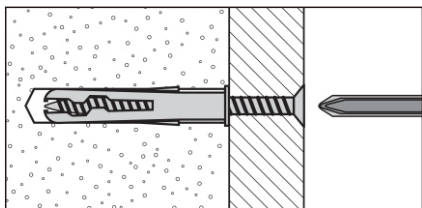
Hints:

- 1: General rule:  always use a larger screw and wall plug if you are not sure.
- 2: Ensure you use the recommended drill bit to match the wall plug and hole size.
- 3: Ensure you drill the hole horizontally; do not force the drill or enlarge the hole.
- 4: Take extra care when drilling high walls, ceilings and ceramic tiles. Ensure wall plugs are inserted beyond the thickness of the ceramic tiles to avoid the tiles splitting or cracking.
- 5: Ensure wall plugs are well fitted and are a tight fit in the drilled hole.

Types of walls

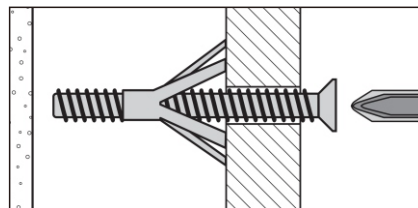
You can use one of the following types of wall plug if your walls are made of brick breeze block, concrete, stone or wood.

No.1 "General Purpose" wall plug



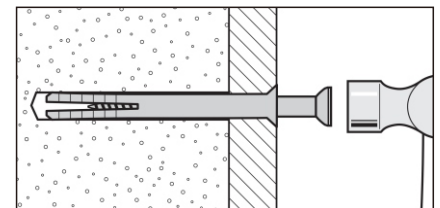
Generally aerated blocks should not be used to support heavy loads, use a specialist fitting in this case. For light loads, general purpose wall plugs can be used.

No.3 "Cavity Fixing" wall plug



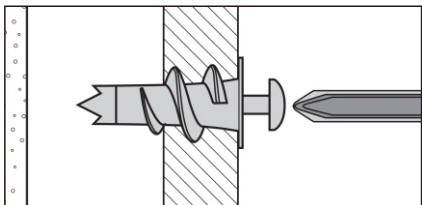
For use with plasterboard partitions or hollow wooden doors.

No.5 "Hammer Fixing" wall plug



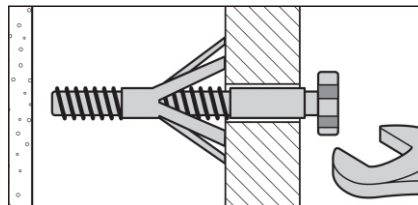
For use with walls stuck with plasterboard. The hammer fixing allows it to be fixed to the wall rather than the plasterboard. Always check the fixing is secure to the retaining wall.

No.2 "Plasterboard" wall plug



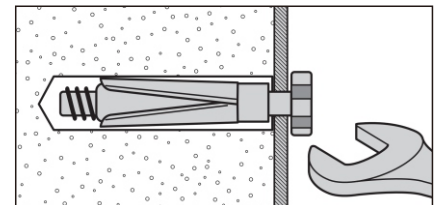
For use when attaching light loads onto plasterboard partitions.

No.4 "Cavity Fixing - Heavy Duty" wall plug



For use when fitting or supporting heavy loads such as shelving, wall cabinets and coat racks.

No.6 "Shield Anchor" wall plug - heavy loads



For use with heavier loads such as TV and HiFi speakers and satellite dishes etc.



Care & Maintenance

Safety: always check the fitting and location to ensure your safety in and around the home

Fitting: from time to time check the fitting to ensure the wall plugs or screws do not become loose