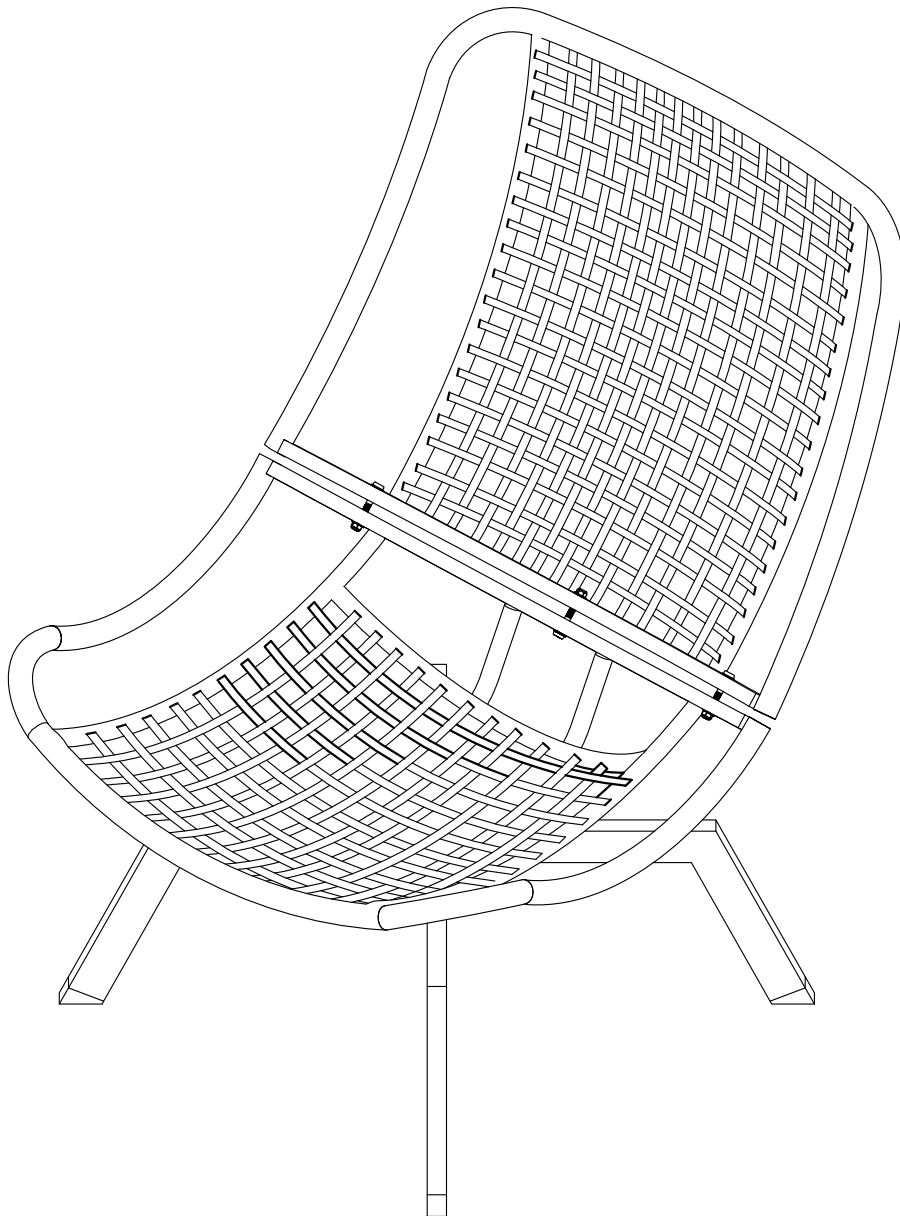


INSTRUCTION MANUAL

Swivel chair

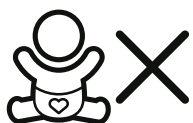


Thank you for shopping with us!

If any parts is missing, broken upon receipt or you need any help from us. For the FASTEST solutions, please FIRSTLY CONTACT US.

IMPORTANT

Please follow the instruction manuals and use a pad to avoid damage during assembly.



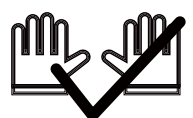
Not intended for use by children. Please keep your children closely supervised.



Keep away from fire or other heat sources.



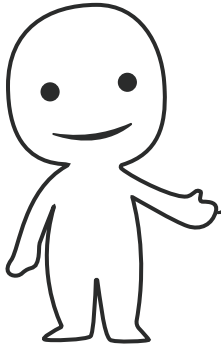
Do not use harsh cleaner for cleaning!



We recommend wearing protective gloves for assembly.



Identify, sort and count the parts before assembly.

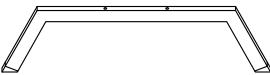
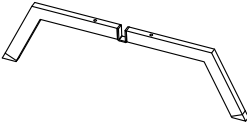
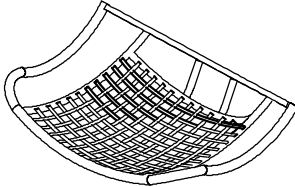
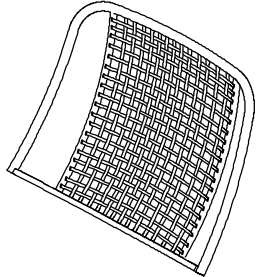
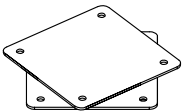
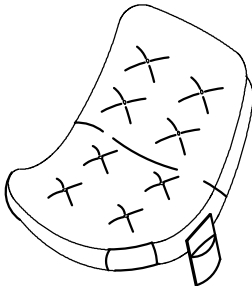


Please prepare the following tools



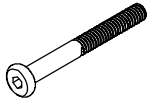
When installing, please carefully confirm whether each screw corresponds to the manual, accessories with similar shapes can be distinguished by size

Parts List

			
(A) UP LEG 1PC	(B) LOW LEG 1PC	(C) SEAT 1PC	(D) BACK 1PC
			
(E) TURNPLATE 1PC	(F) TURNPLATE 1PC		

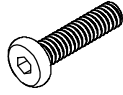
Hardware List

① x 4



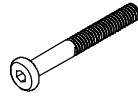
M6 x 55 mm

② x 4



M6 x 20 mm

③ x 3



M6 x 50 mm

④ x 18



Washer

⑤ x 7



Nut

⑥ x 1

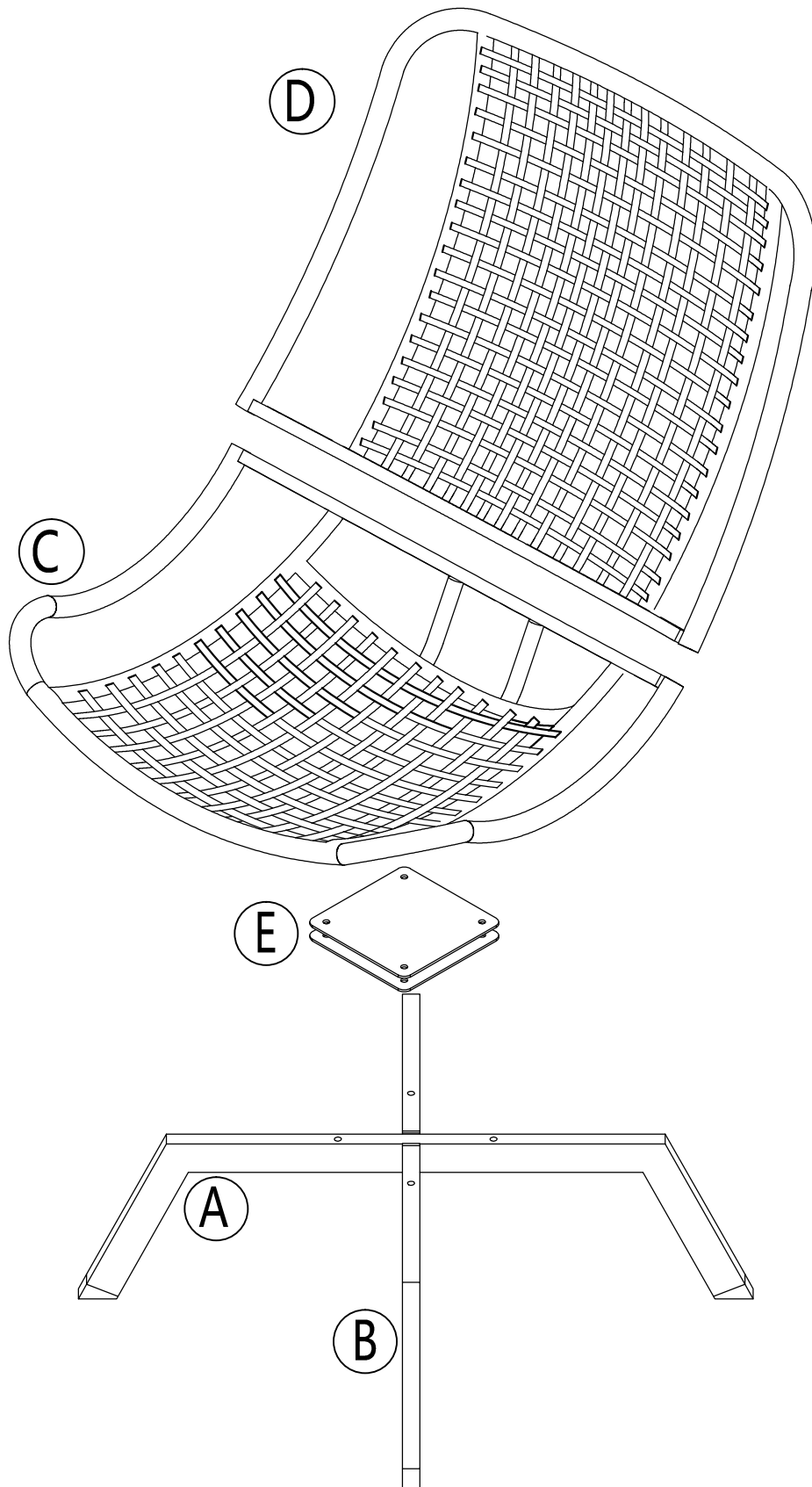


⑦ x 1

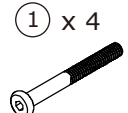
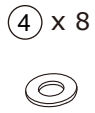


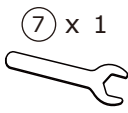


Wrench

EXPLODED VIEW

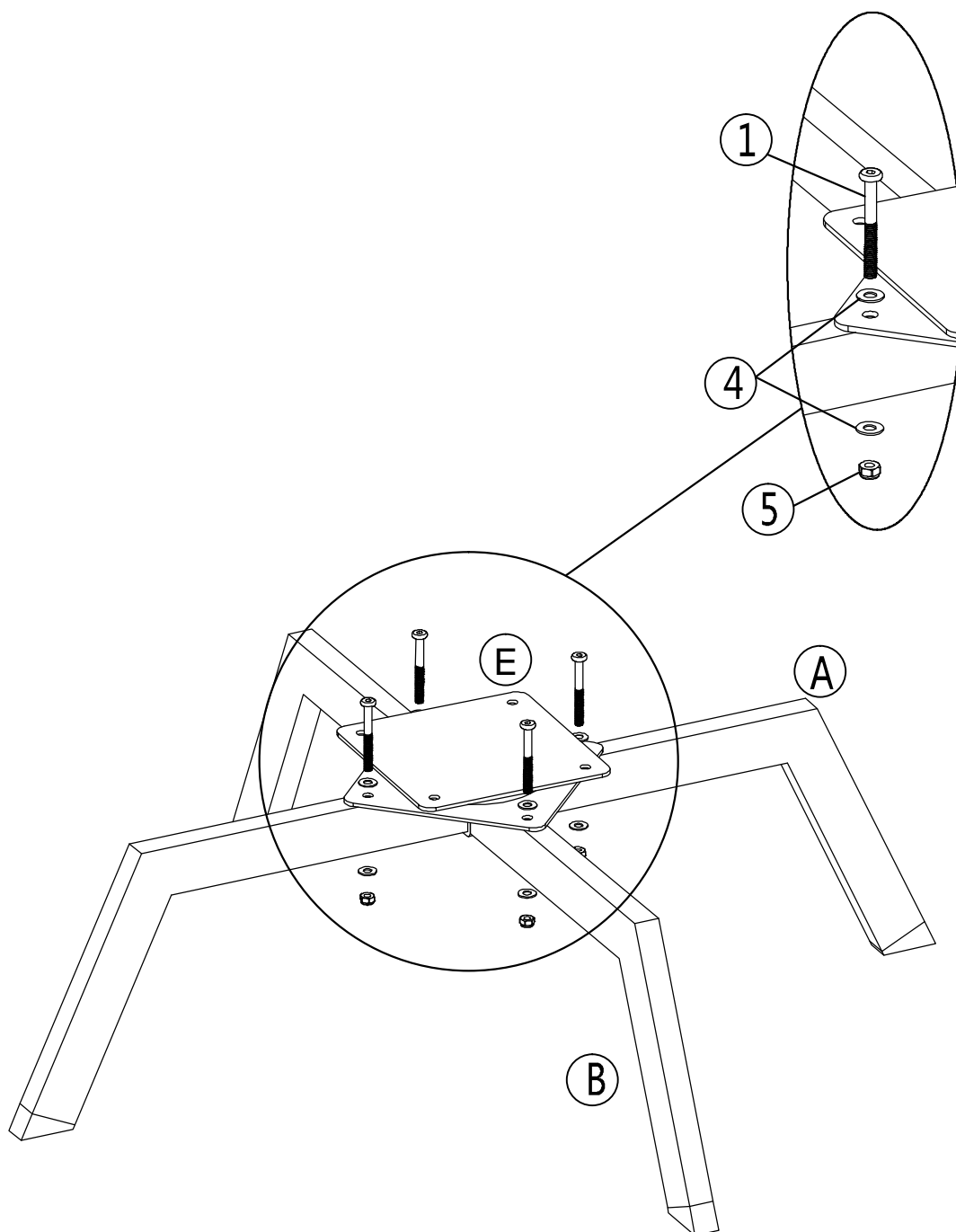


STEP 1

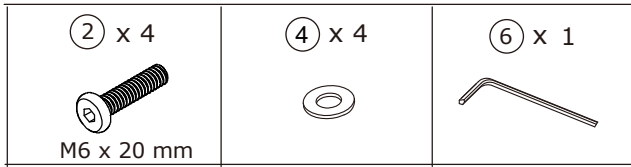
 M6 x 55 mm					
---	---	---	---	--	--

Fix part A and part B with part E with four M6x55mm Screws (1) and Flat Washers (4) and nut (5). Use Allen key (6) and Wrench (7).

DO NOT FULLY TIGHTEN.

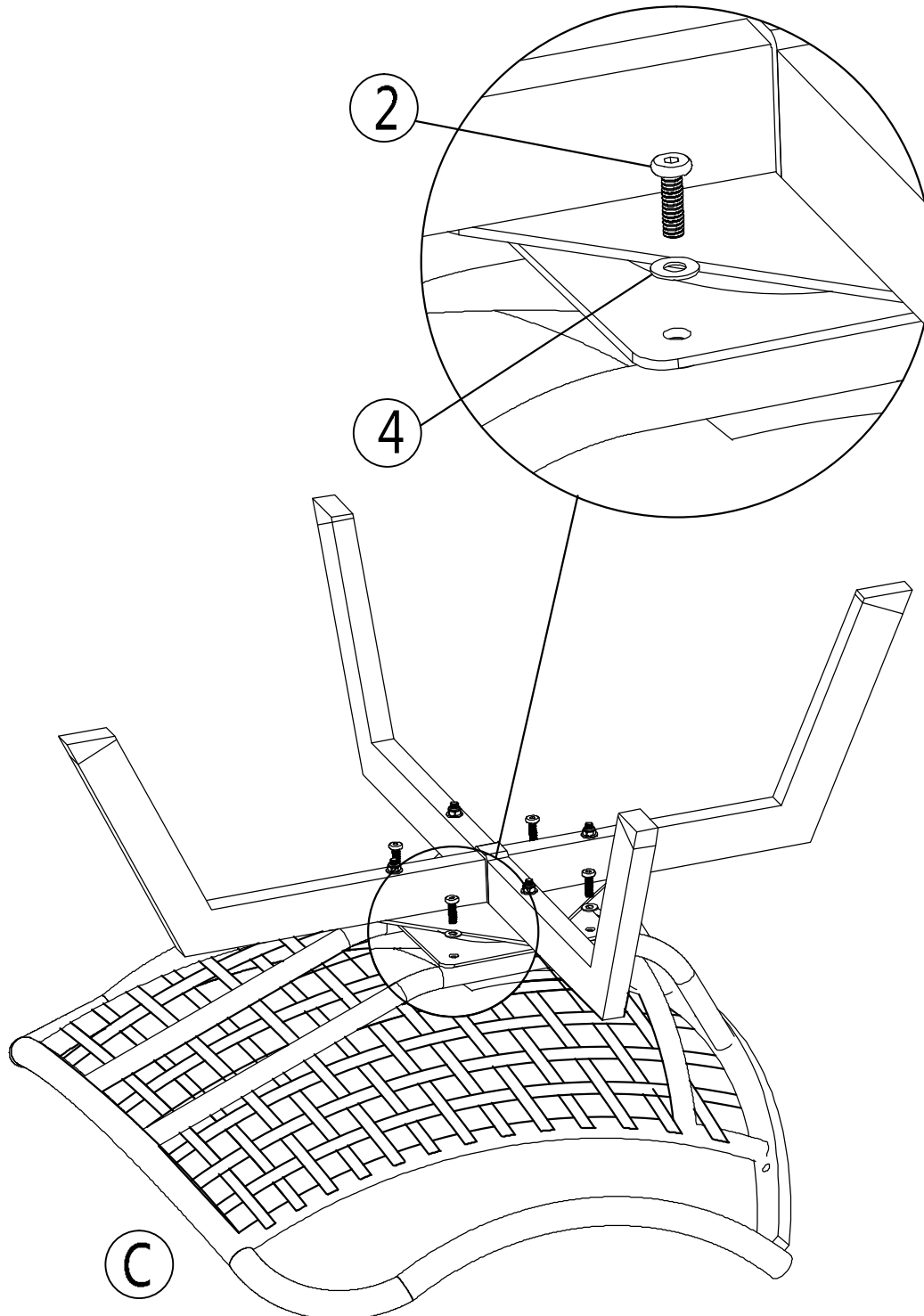


STEP 2

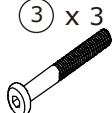






Fix part C with part E with four M6x20mm Screws (2) and Flat Washers (4) .Use Allen key (6).

DO NOT FULLY TIGHTEN.

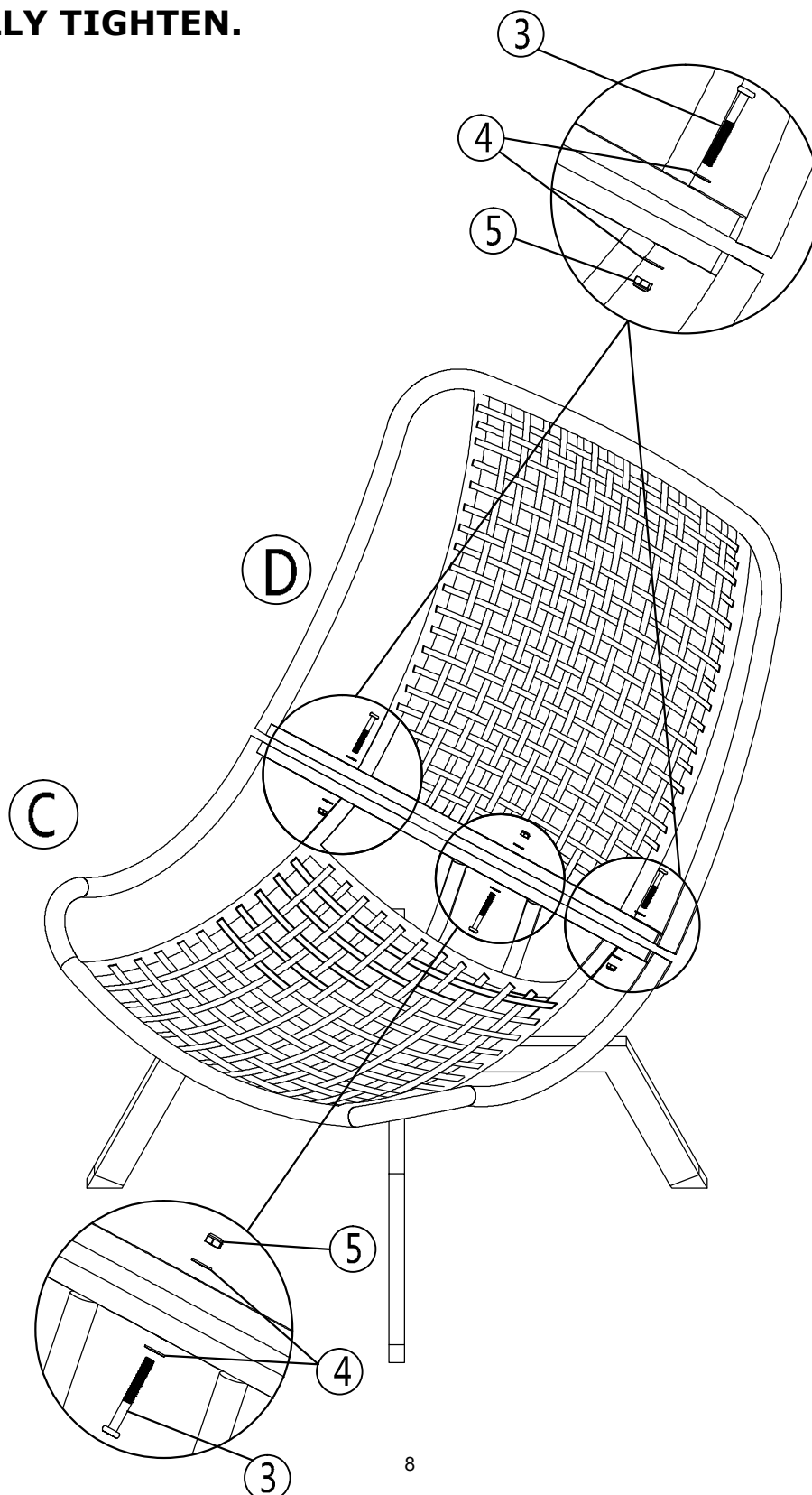


STEP 3

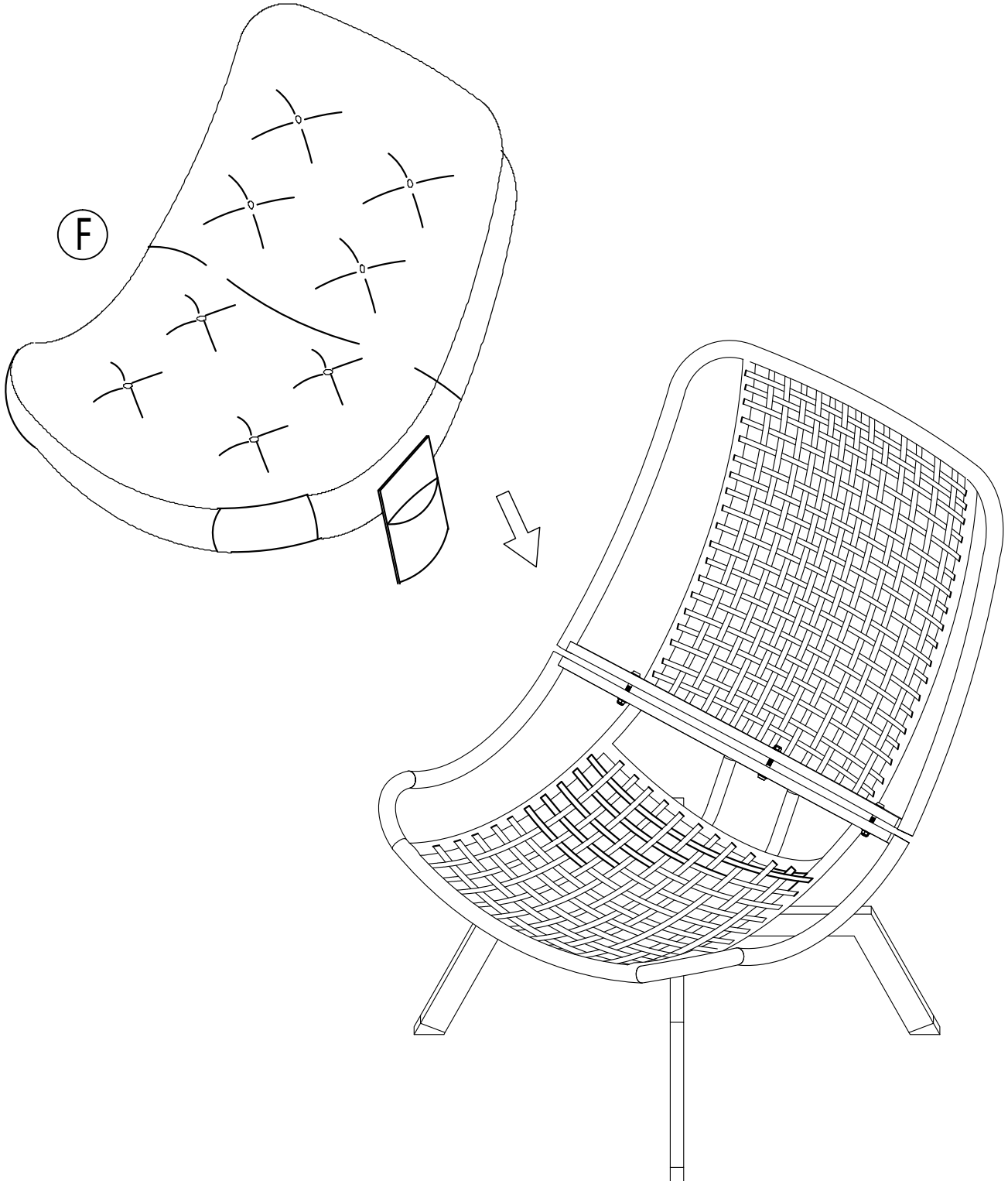
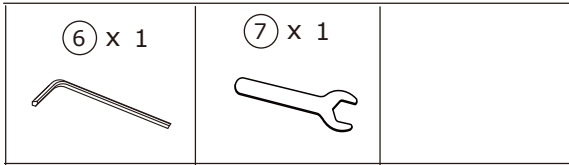
 M6 x 50 mm					
---	---	---	---	--	--

Fix part C with part D with three M6x50mm Screws (3) and Flat Washers (4) and nut (5). Use Allen key (6) and Wrench (7).

DO NOT FULLY TIGHTEN.



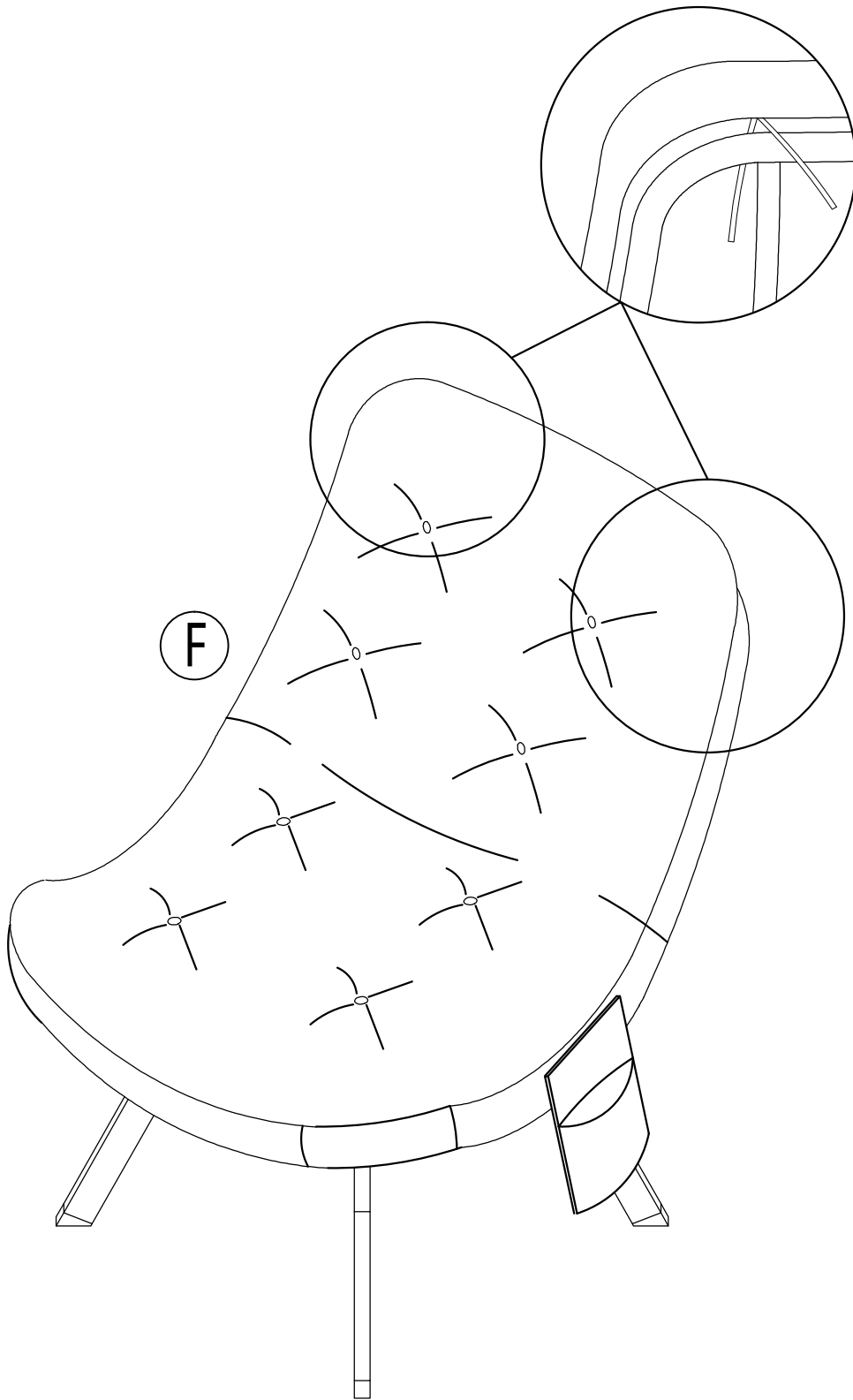
STEP 4



**Adjust alignments and NOW
TIGHTEN ALL SCREWS
with wrench (6) with Allen key (7).**

STEP 5

Put the cushion in the chair and tie.



Assembly Finished

Warning

Seller is responsible for the product-related issues occurred upon receipt, but will not be responsible for the personal injury, property damage or loss resulting from the incorrect assembly, improper use, inadequate maintenance or neglect of this product.