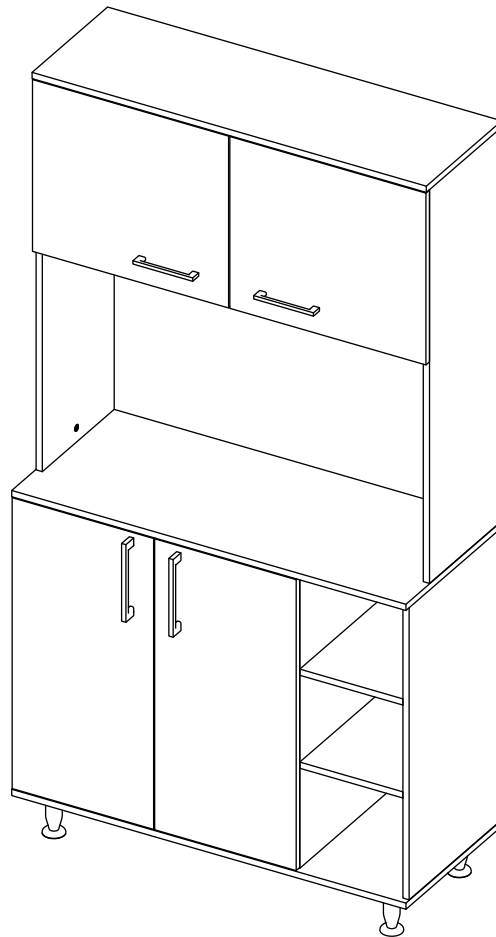


ASSEMBLY INSTRUCTIONS

95 PANTRY CABINET / ALACENA 95



⚠ WARNING

--	--	--	--

Children have died from furniture tip over. To reduce the risk of tip over:

- ALWAYS secure this furniture to the wall using an anti-tip device.
- NEVER allow children to stand, climb, or hang on drawers, doors or shelves.
- Do not defeat or remove the drawer interlock system.
- Place heaviest items in the lowest drawers.
- NEVER put a TV on this furniture.

To ensure the safety of those using this cabinet, it is crucial to properly secure it to the wall using a tip-over device. This product includes the necessary items for fixing the furniture to the wall. However, it is important to note that incorrect installation or failure to use the tip-over device can result in serious injury or even death.

For this reason, we highly recommend that a professional installer handle the installation of the cabinet to the wall.



IMPORTANT RECOMMENDATIONS

Do not paint the cabinet.

The cabinet **MUST** be used exclusively indoors, do not expose to direct sun.

Clean metallic hardware with a dry cloth.

Do **NOT** overload the cabinet (see suggested loads).

Do not hit or hammer the cabinet (just when indicated).

Clean with a slightly damp cloth, use gentle soaps.

Do not drag, lift and move between two people.

Avoid direct contact with water, fire or exposure to heat sources.

RECOMENDACIONES IMPORTANTES

No pintar el mueble.

El mueble debe ser usado únicamente en interiores, no exponer al sol directo.

Limpiar los herrajes metálicos con un paño seco.

NO sobrecargar el mueble (ver las cargas sugeridas).

No golpear ni martillar el mueble (solo cuando se indique).

Limpiar con un paño ligeramente húmedo, usar jabones suaves.

No arrastre el mueble, levántelo entre dos personas.

Evite el contacto directo con el agua, el fuego o la exposición a fuentes de calor.



WARNING

Never allow children to climb or manipulate the cabinet, furniture tip over can cause serious injuries or death.



ADVERTENCIA

Nunca permita que los niños escalen o manipulen el mueble, la caída de este puede provocar lesiones graves o la muerte.

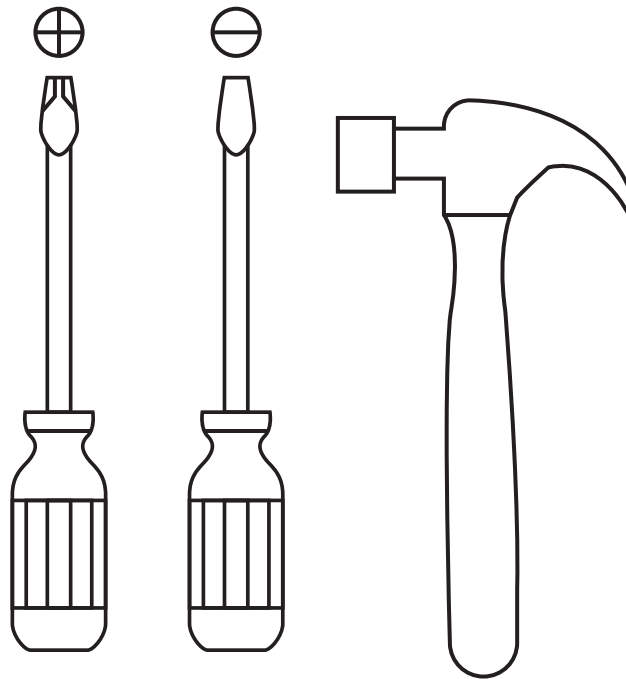
INDEX

ÍNDICE

Assembly Hardware	4	Herrajes para Armado.....	4
Assembly Parts	5	Piezas de Armado.....	5
Suggested Loads.....	6	Cargas Sugeridas.....	6
Assembly Recommendations.....	6	Recomendaciones de Ensamble.....	6
Assembly Steps	7-23	Pasos de Armado.....	7-23
Warranty.....	24	Garantía	24

REQUIRED TOOLS*

HERRAMIENTAS NECESARIAS*



*Not included, and not shown actual size.

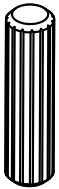
*No incluidas y no se muestran en tamaño real.

ASSEMBLY HARDWARE

Please check that the hardware content is correct. If any item is missing, please call to our customer service line.

HERRAJES PARA ARMADO

Compruebe que el contenido de los herrajes sea el correcto. En caso de que falte alguna pieza, por favor llame a nuestra línea de atención al cliente.



x48

Wood Dowel
Tarugo



x36

Spreading Bolt
Perno Minifix



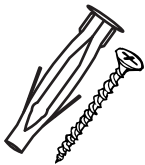
x36

Minifix Cams
Minifix



x40

Cover Caps
Tapa Adhesiva
Minifix



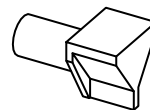
x2

Wall Anchor +
Drywall Screw
Chazo Mariposa +
Tornillo Ensemble



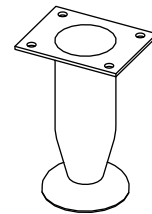
x16

Flat Head Screw
Tornillo Lámina



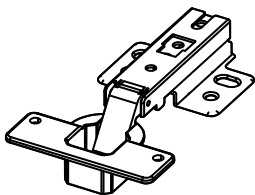
x1

Mobile Shelf
Support
Soporte Entrepaña
Movil



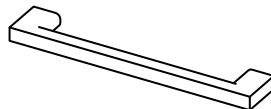
x4

Leg
Pata



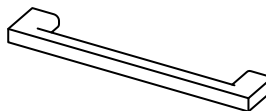
x8

Full Overlay Hinge
(Screws Included)
Bisagra Parche
(Incluye tornillos)



x2

Handle 1
Manija 1



x2

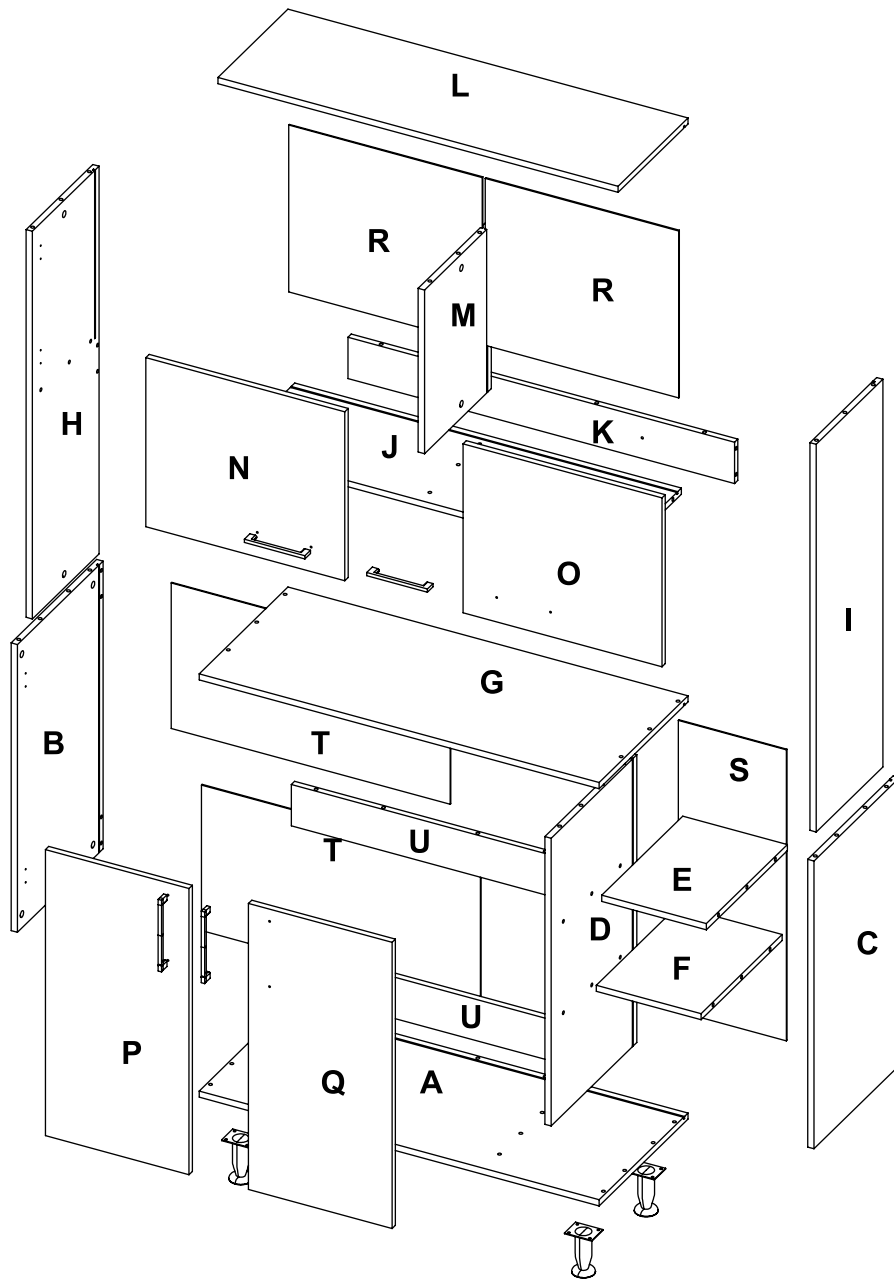
Handle 2
Manija 2

Hardware items are NOT shown actual size.

Los herrajes no se muestran en el tamaño real.

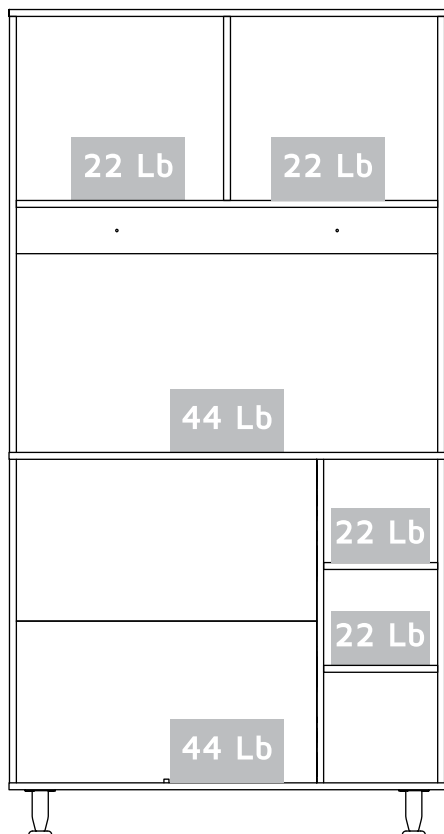
ASSEMBLY PARTS

PIEZAS DE ARMADO



A - x1	E - x1	I - x1	M - x1	Q - x1	U - x2
B - x1	F - x1	J - x1	N - x1	R - x2	
C - x1	G - x1	K - x1	O - x1	S - x1	
D - x1	H - x1	L - x1	P - x1	T - x2	

MAX SUGGESTED LOADS



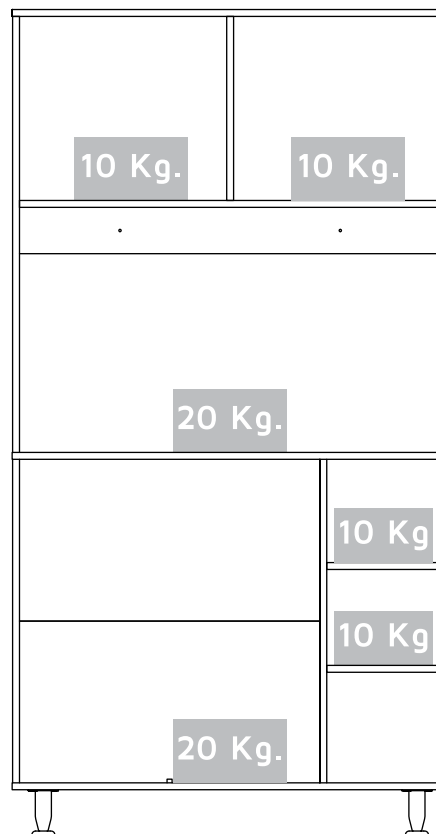
ASSEMBLY RECOMMENDATIONS

Two people are recommended to assemble the product.

Assemble the cabinet on a flat, smooth surface, preferably on a carpeted floor or the carton box of the product.

Carefully read the assembly instructions and identify every wood and hardware part before start assembling the cabinet.

CARGAS MÁXIMAS SUGERIDAS



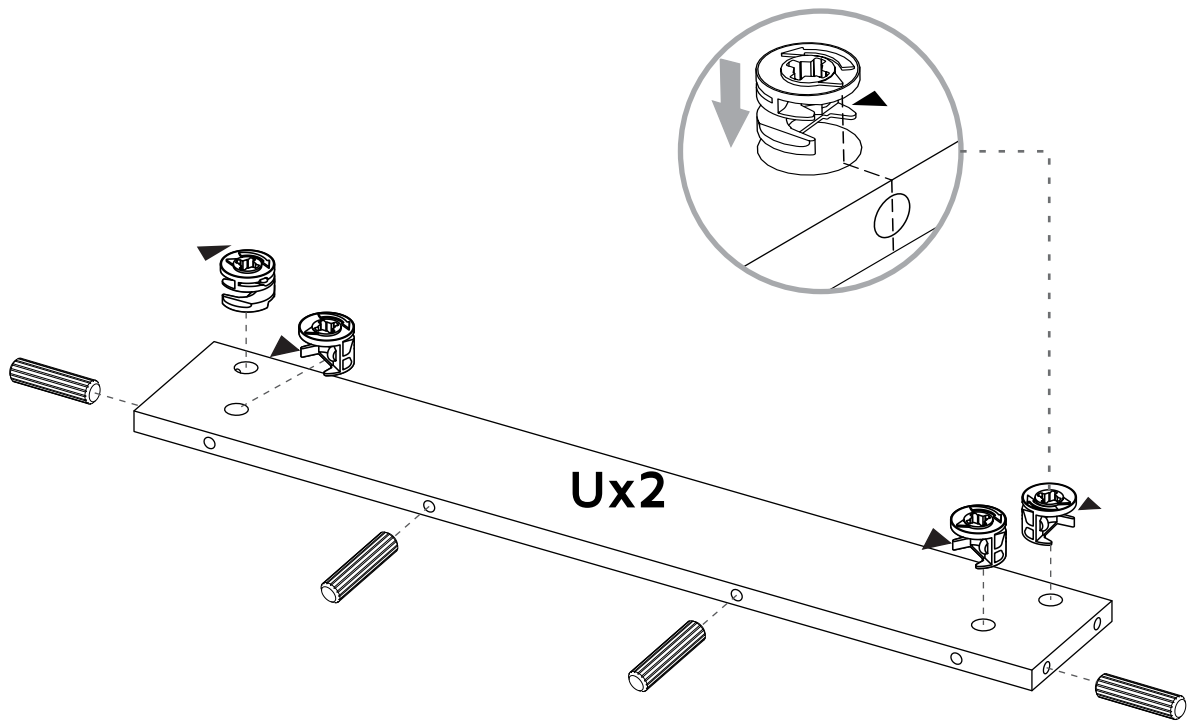
RECOMENDACIONES DE ENSAMBLE

Ensamble el mueble entre dos personas.

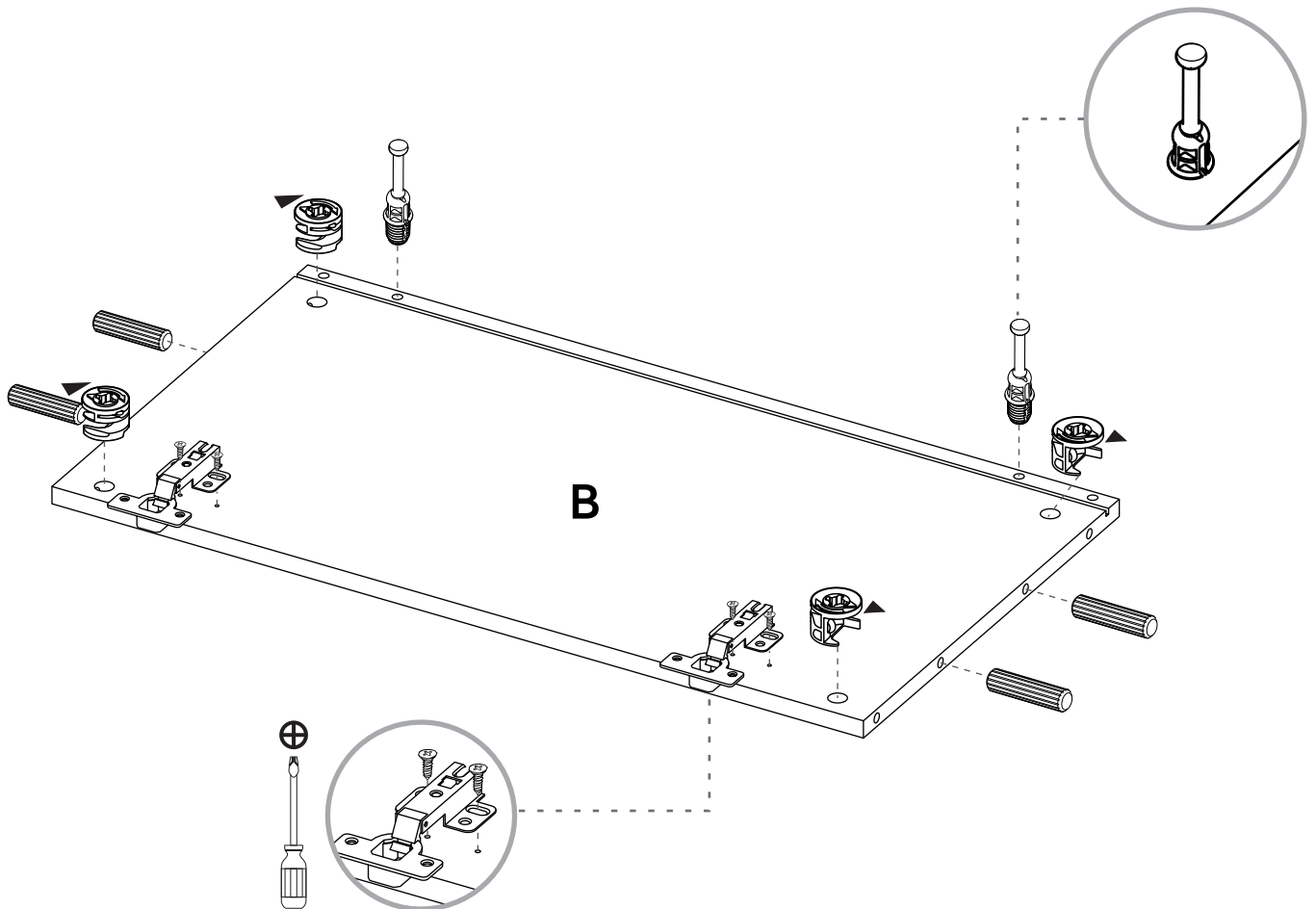
Ensamble el mueble sobre una superficie plana y lisa, preferiblemente sobre un tapete o el cartón de la caja

Lea cuidadosamente las instrucciones e identifique todas las piezas y herrajes antes de empezar a armar el mueble.

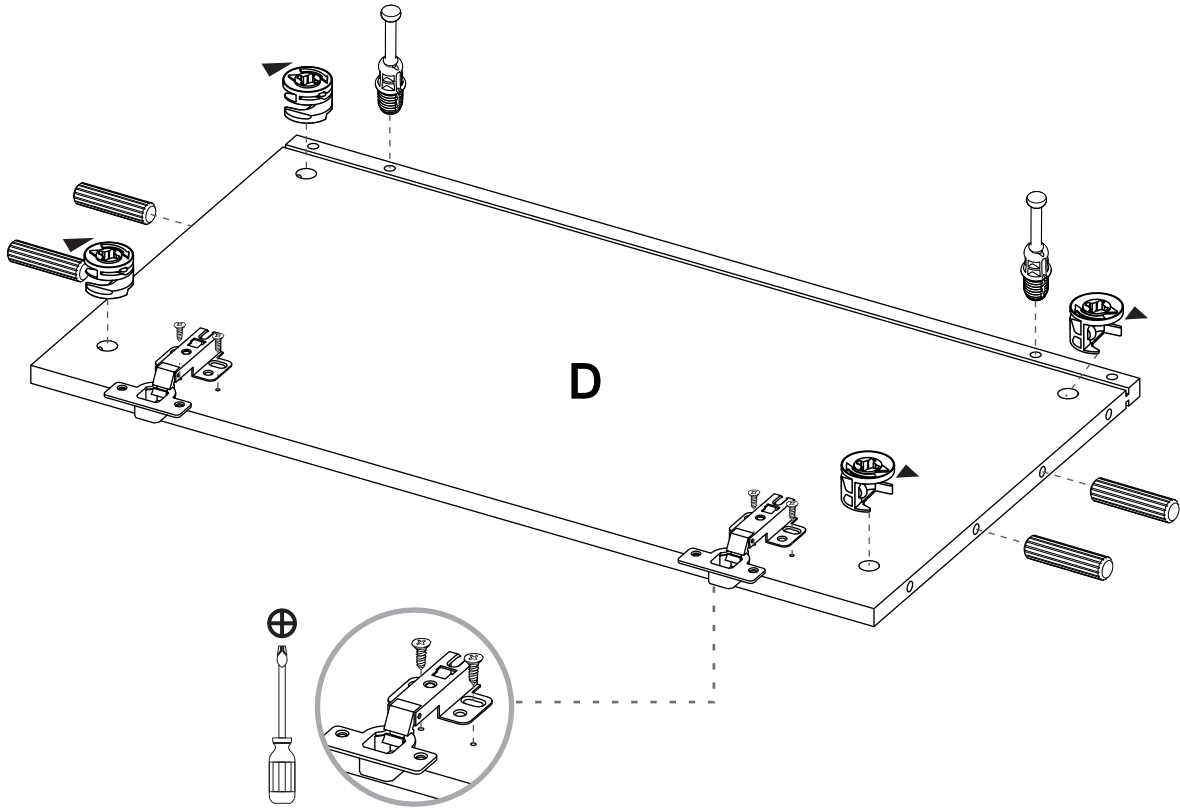
1



2

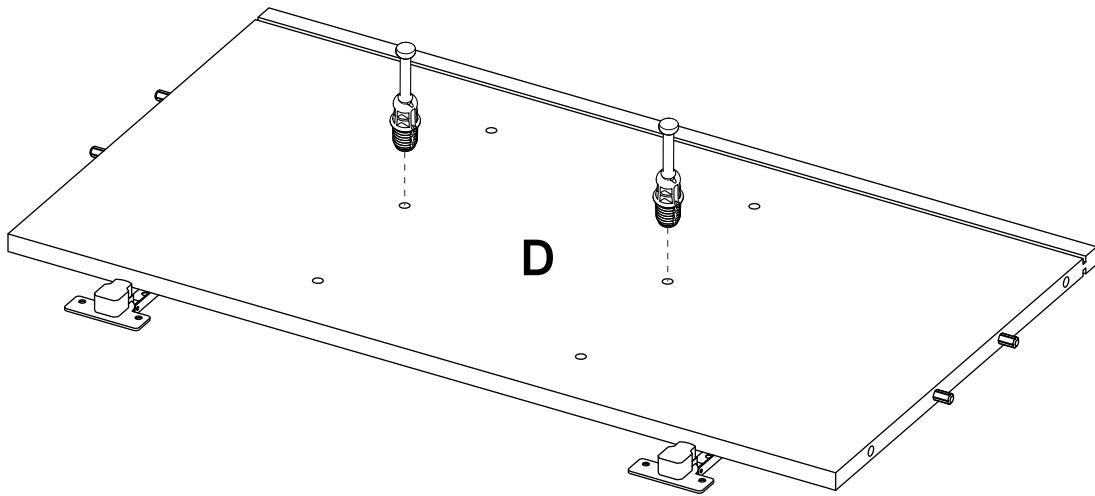


3

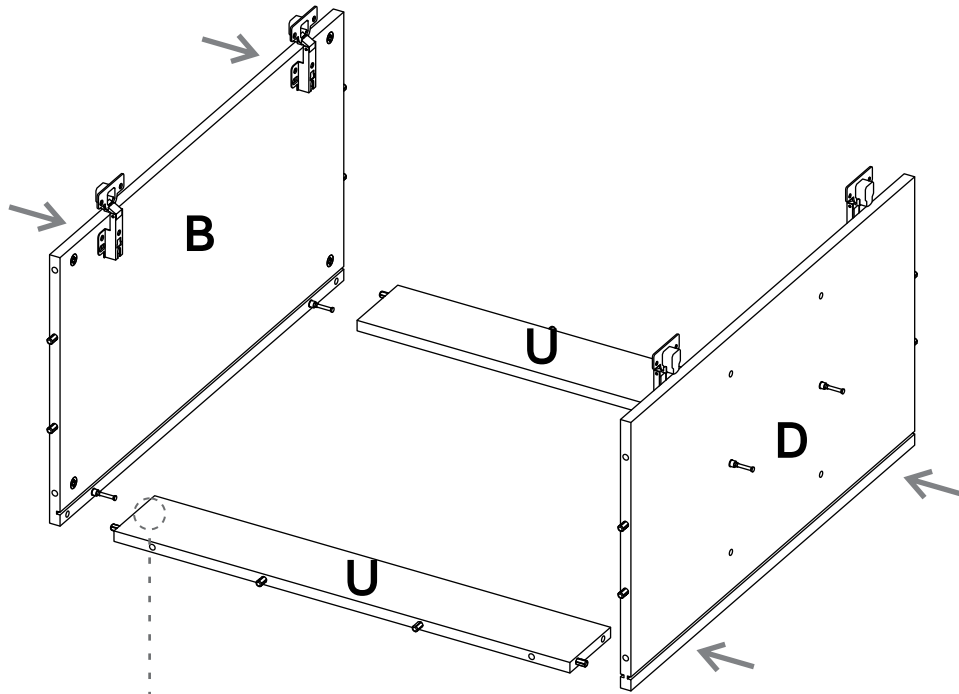


4

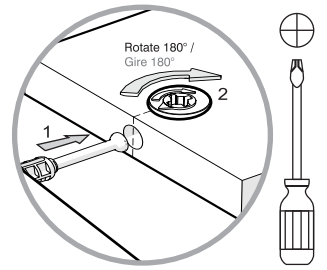
Turn Over
Voltear



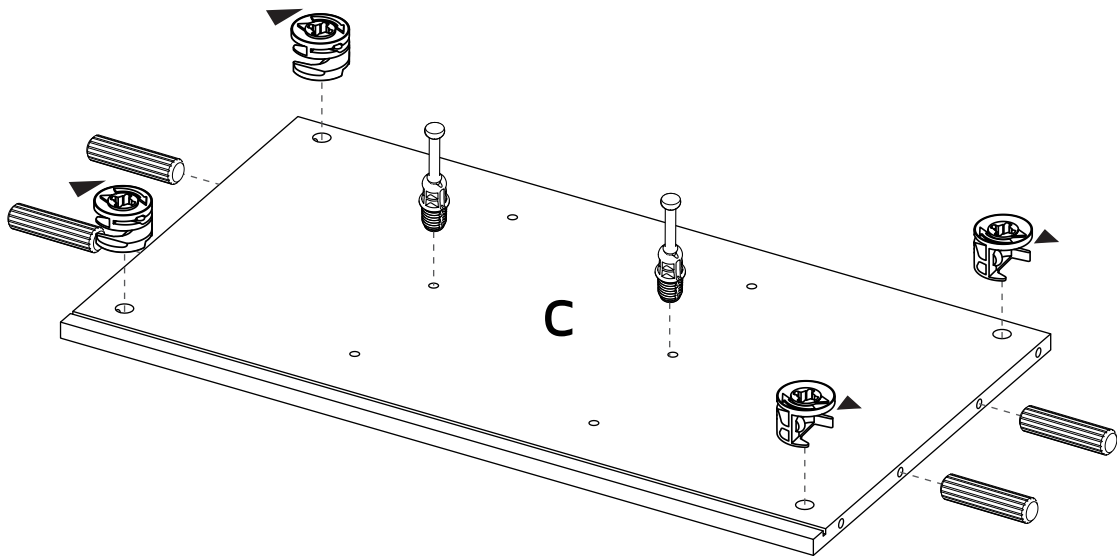
5



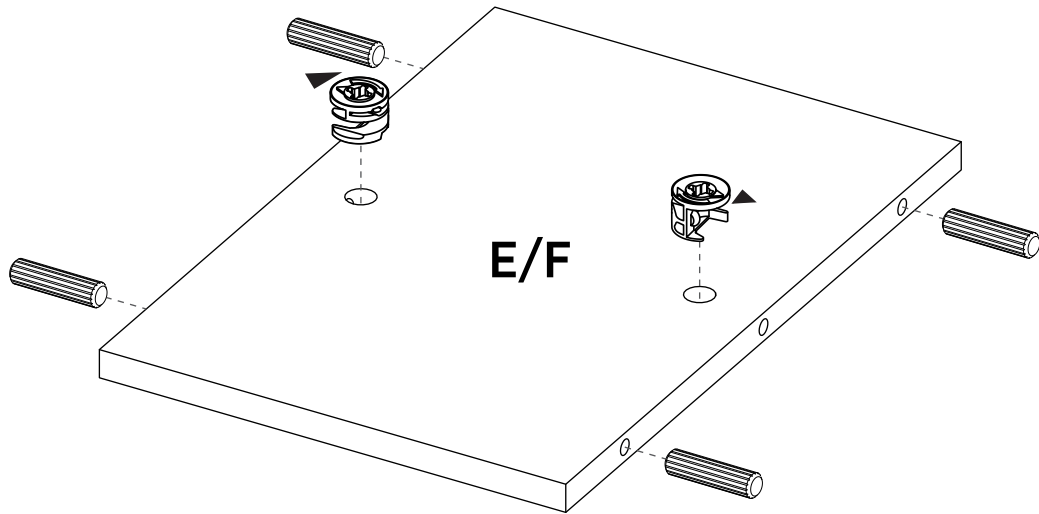
Turn minifix cams to the right to tighten.
Gire las cajas minifix hacia la derecha
para apretar las piezas.



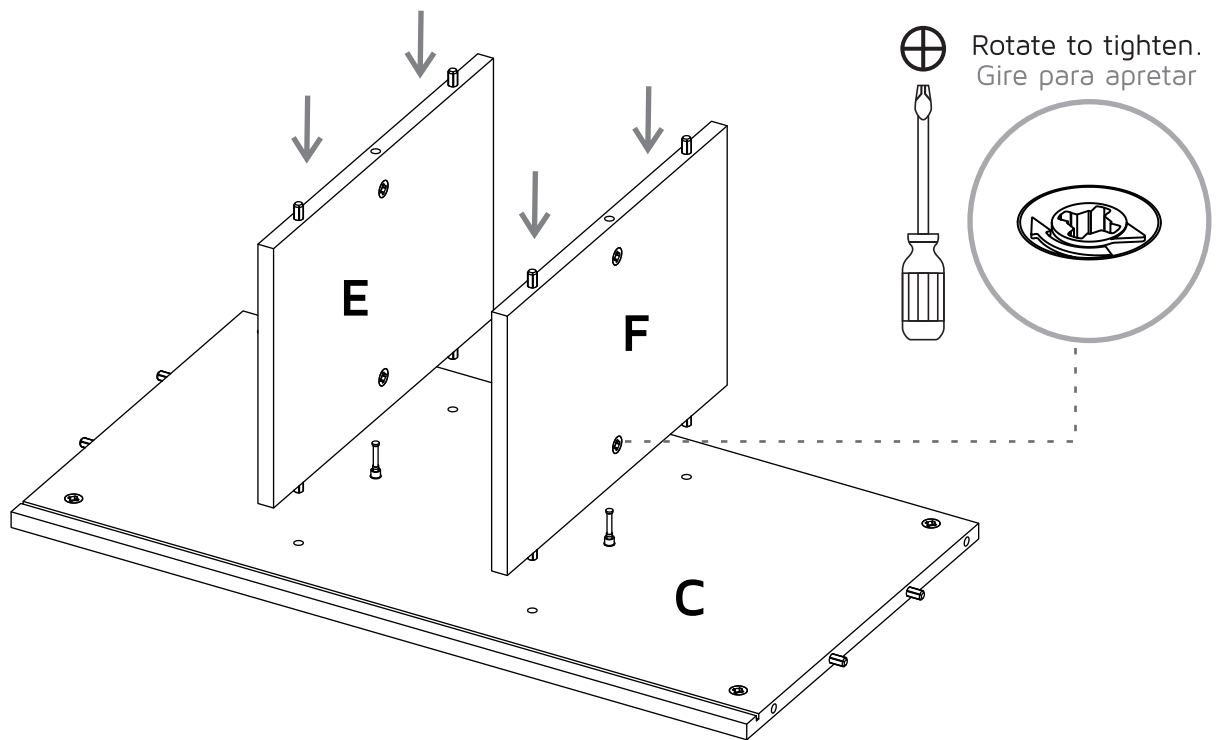
6



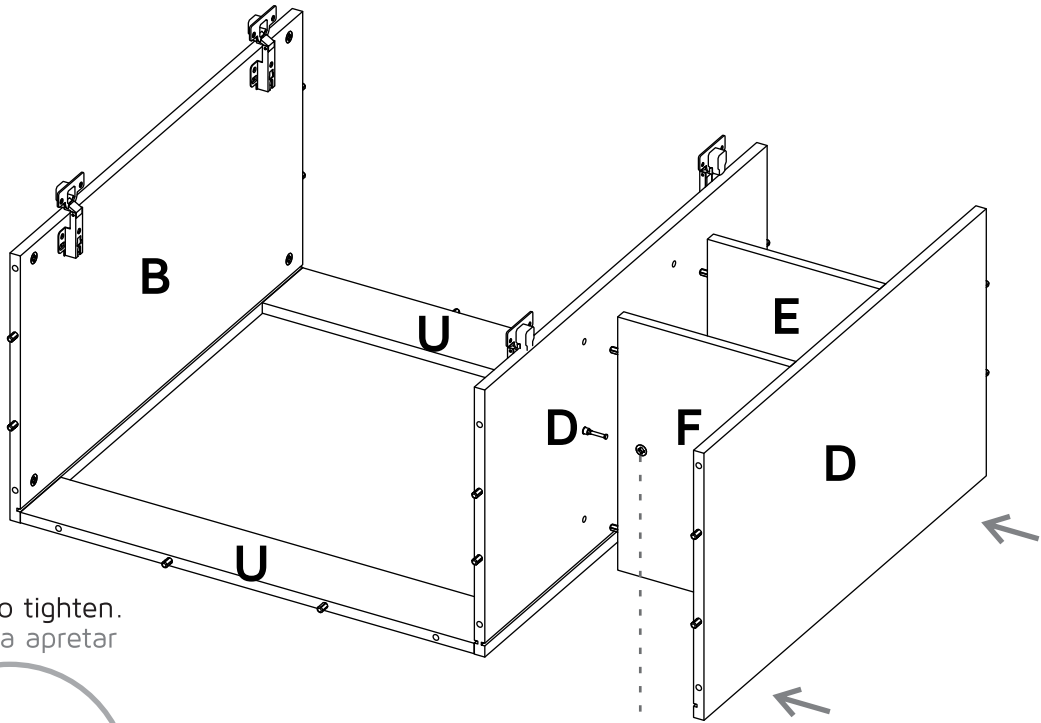
7



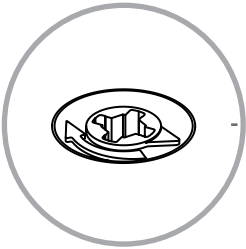
8



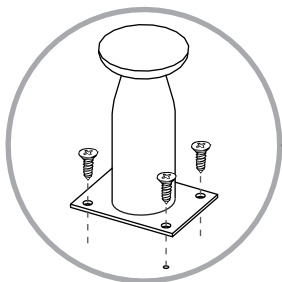
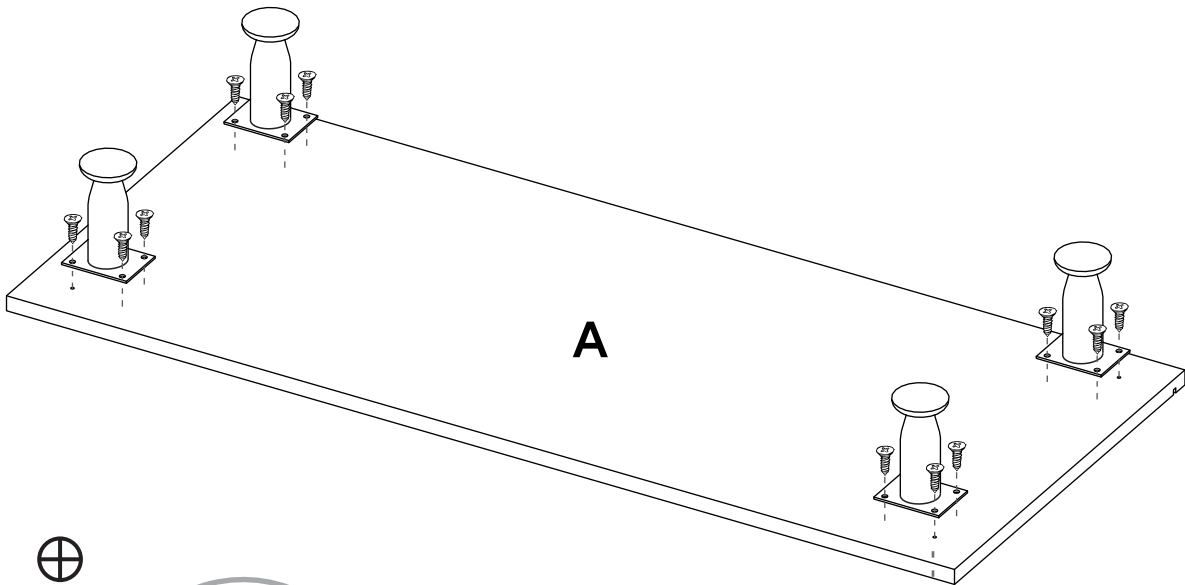
9



Rotate to tighten.
Gire para apretar

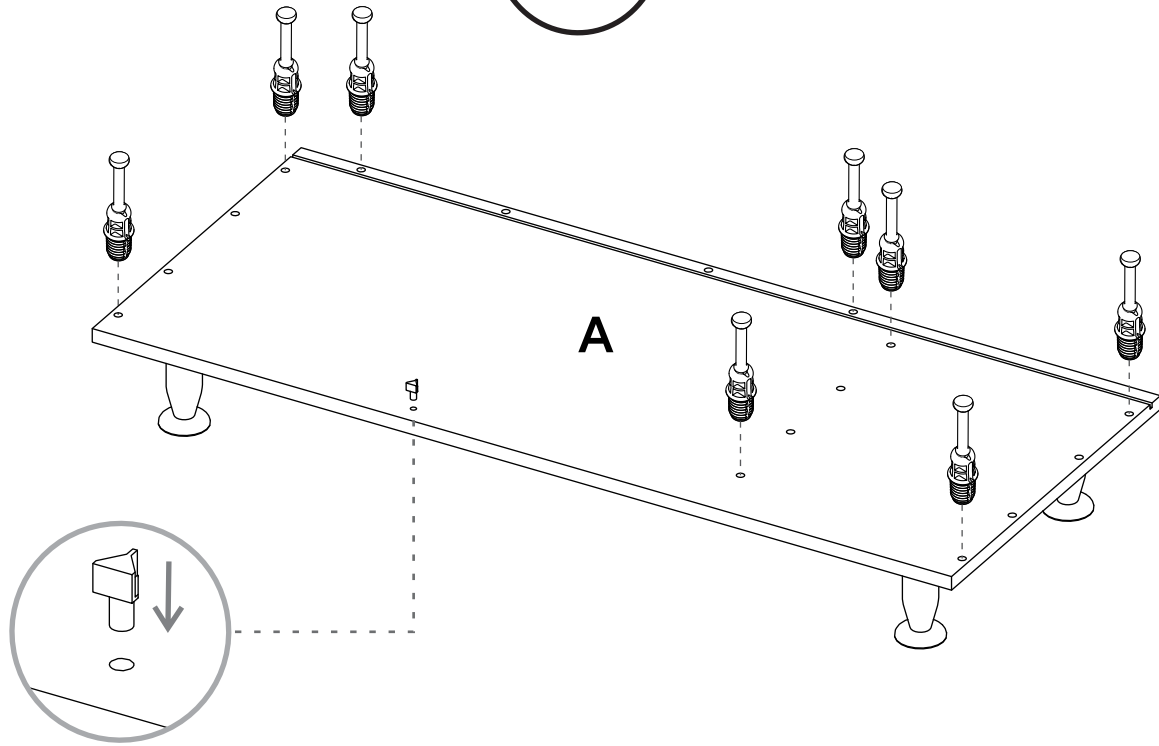


10



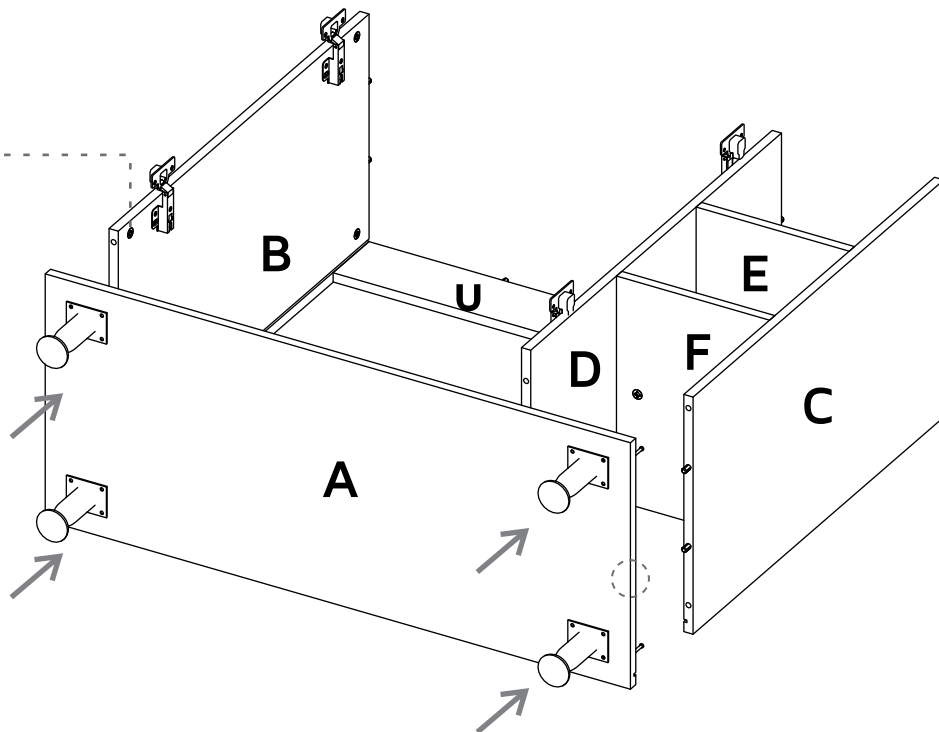
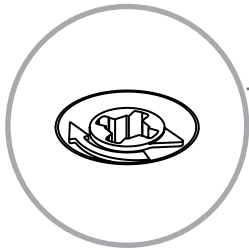
11

Turn Over
Voltear

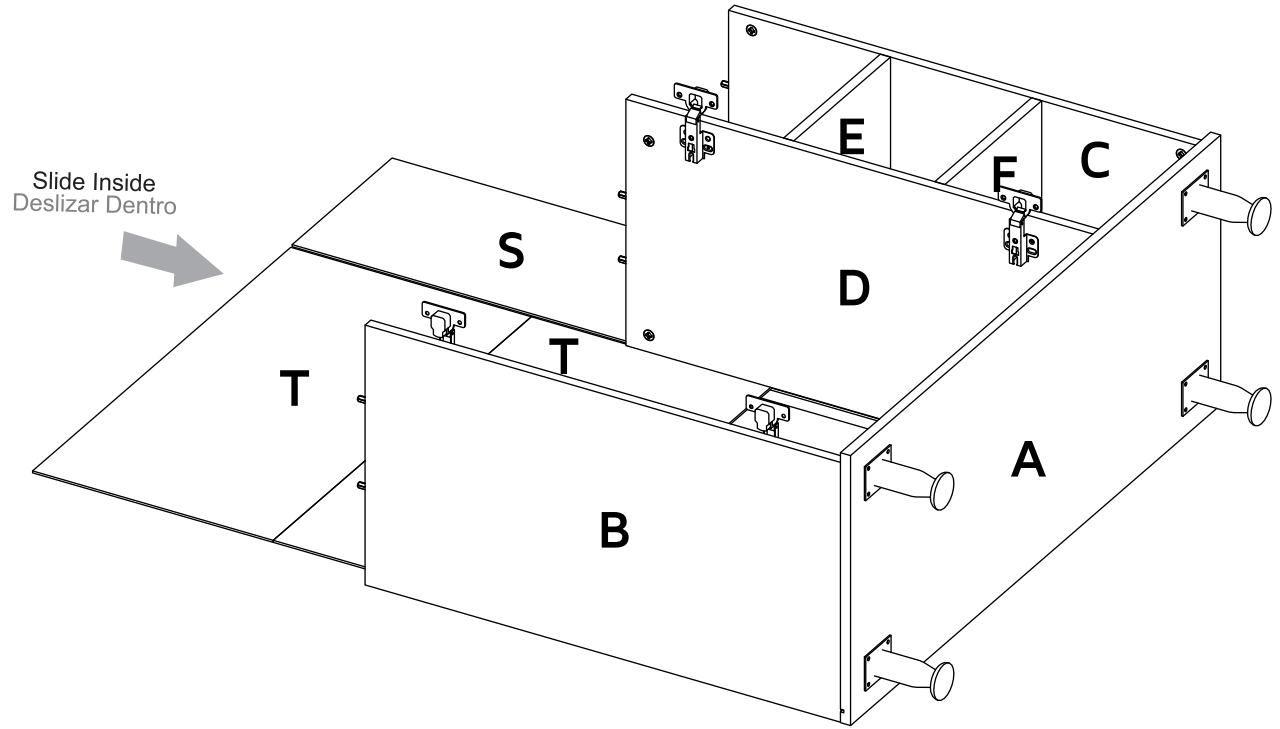


12

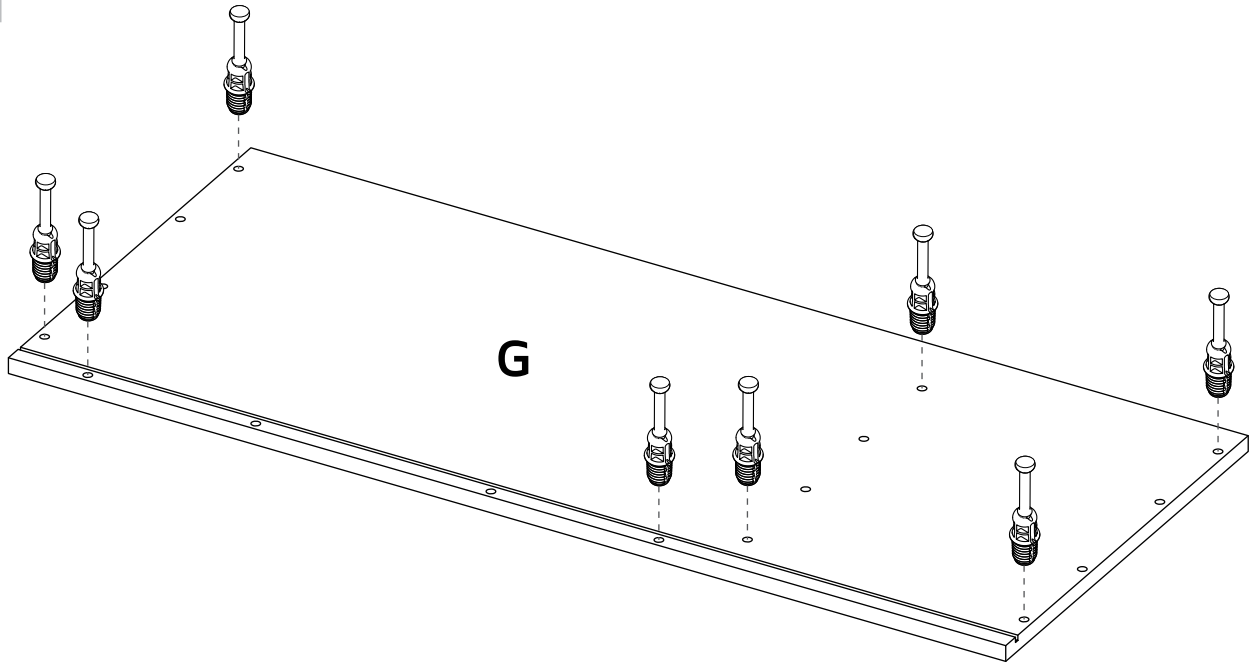
⊕ Rotate to tighten.
Gire para apretar



13

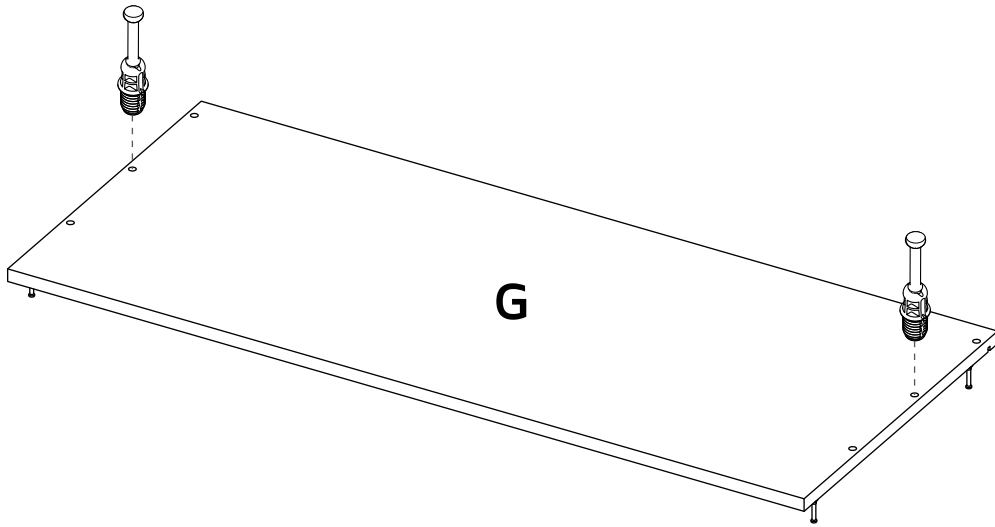


14



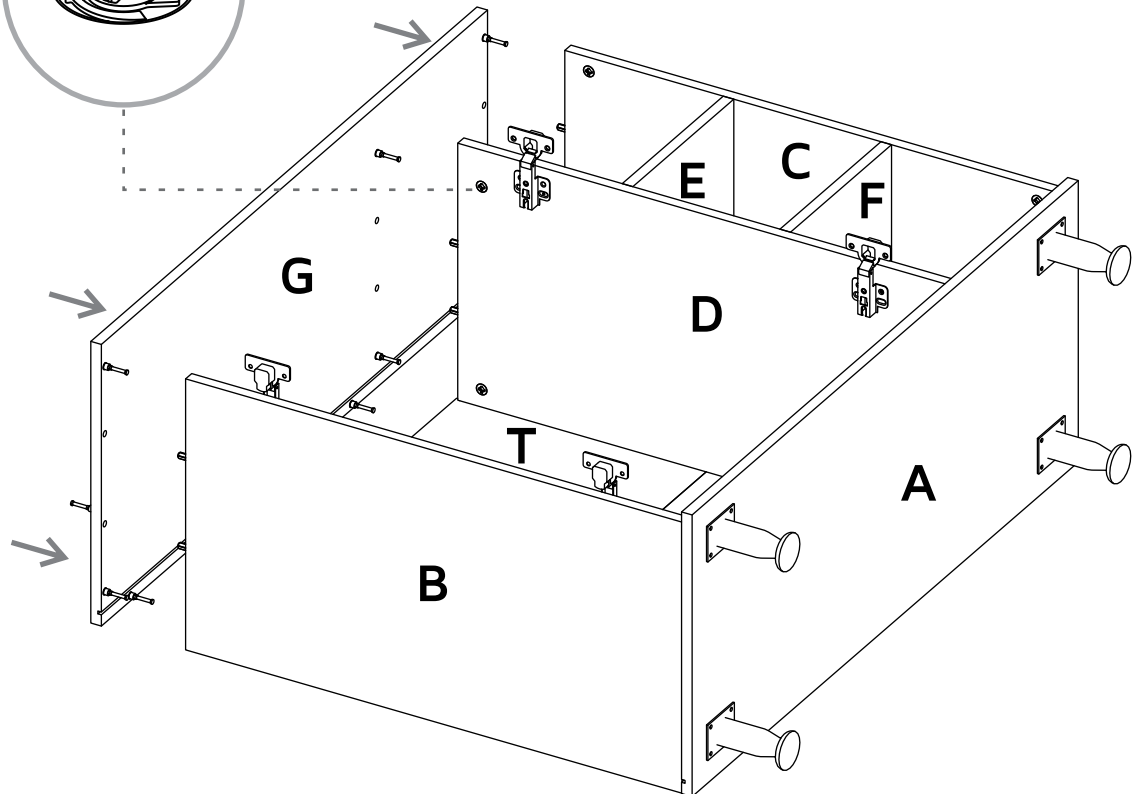
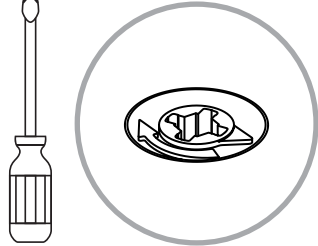
15

Turn Over
Voltear

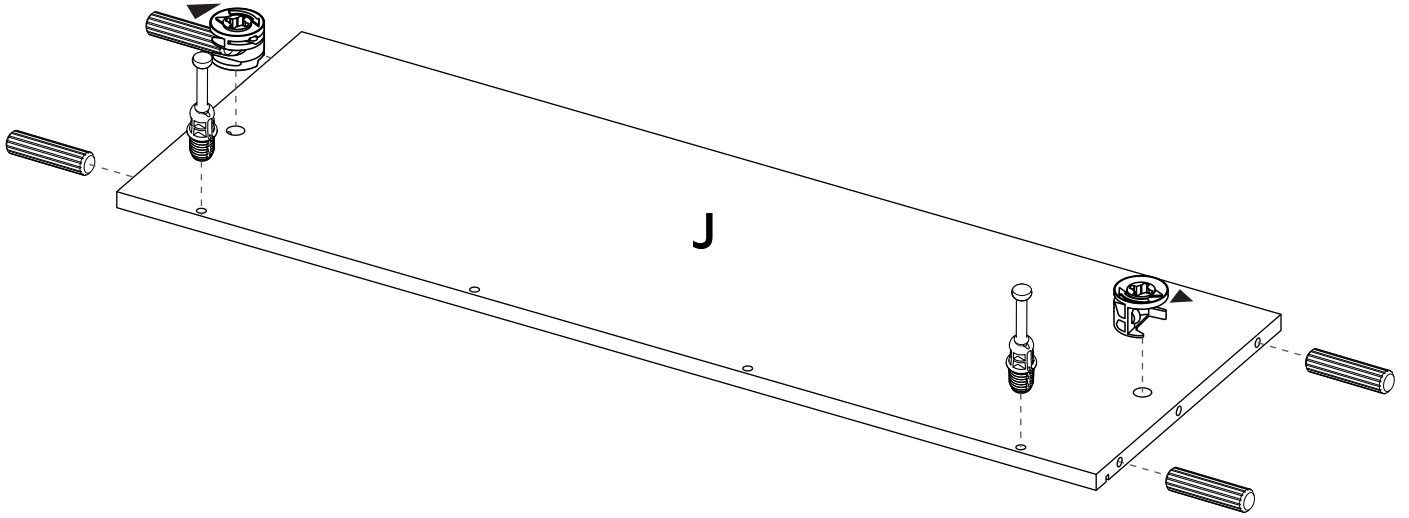


16

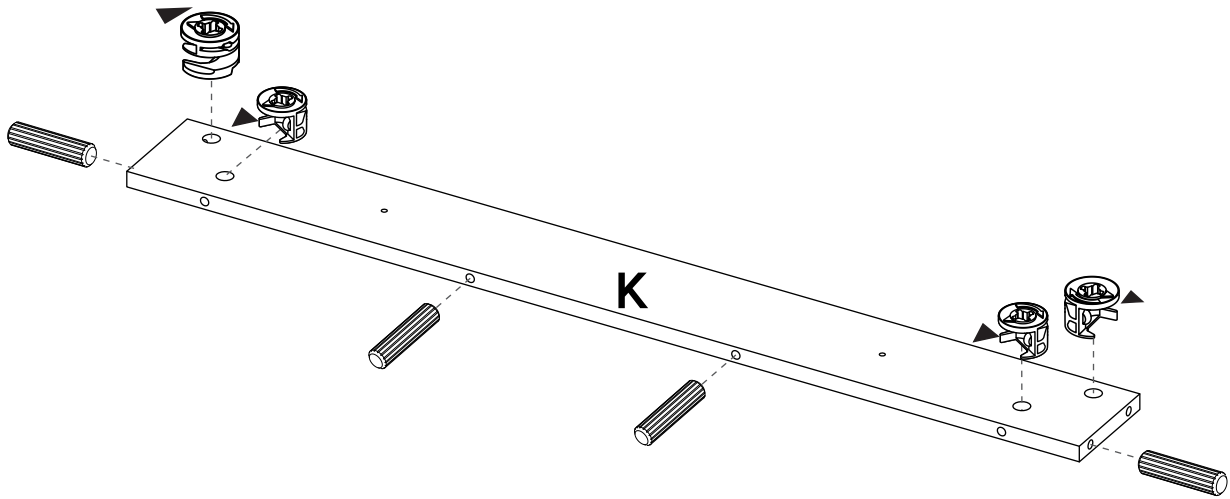
Rotate to tighten.
Gire para apretar



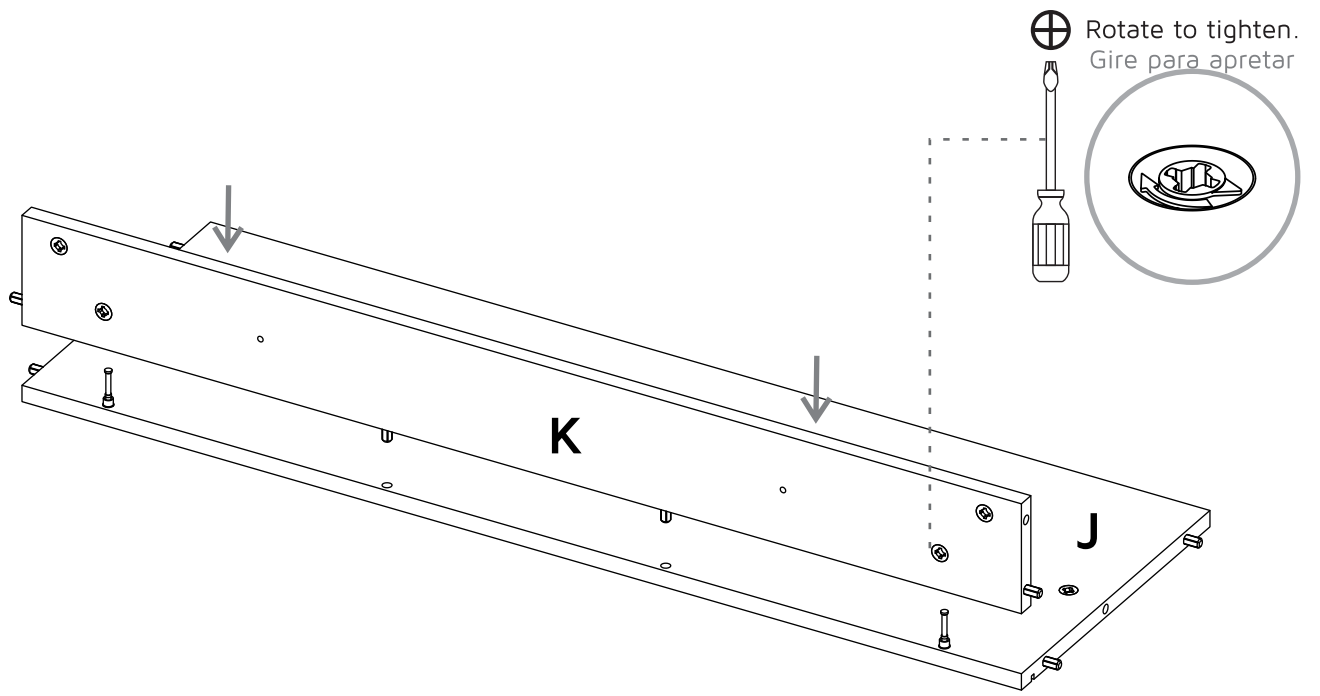
17



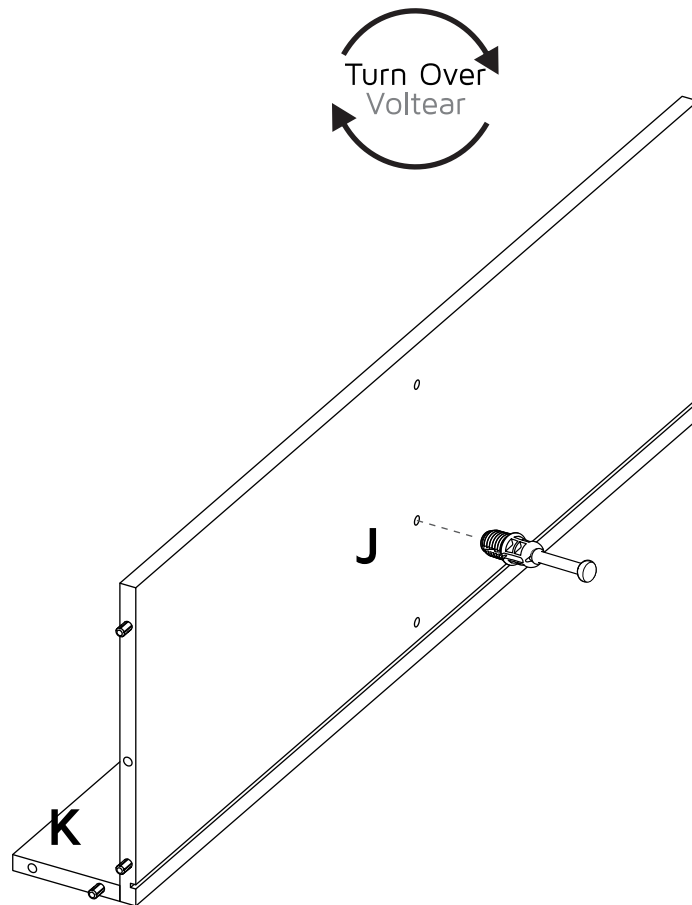
18



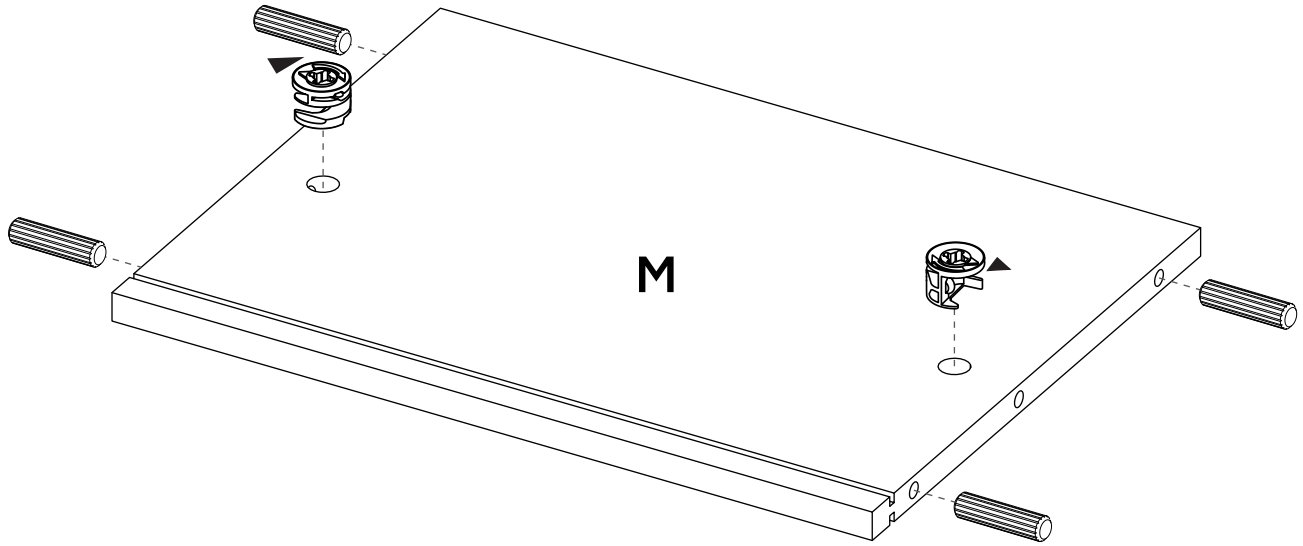
19



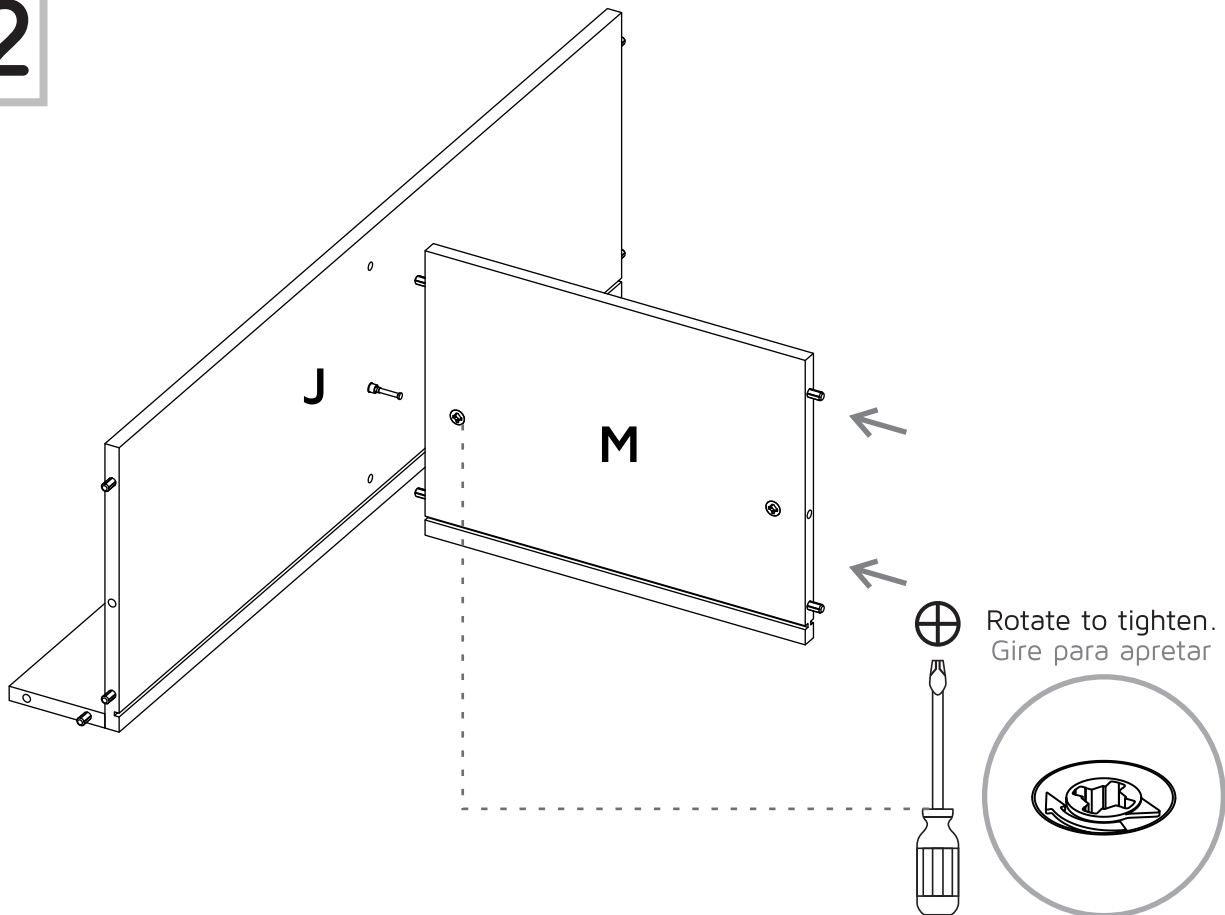
20



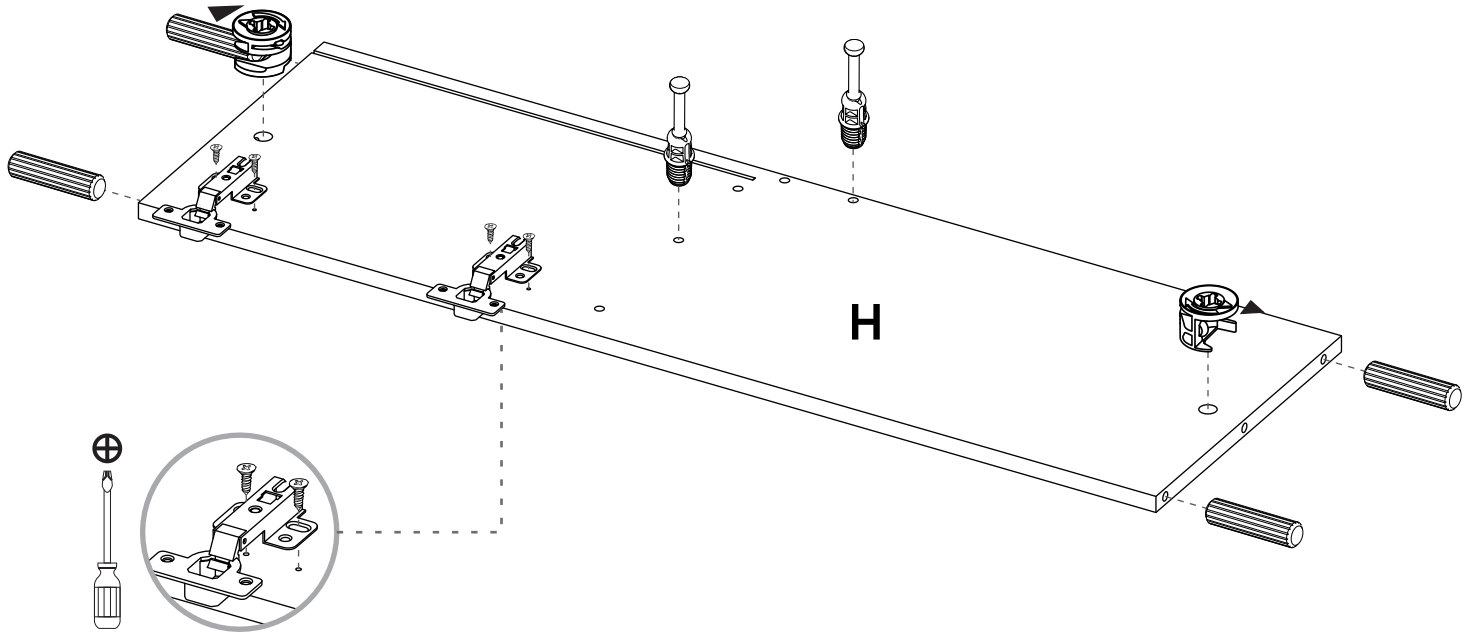
21



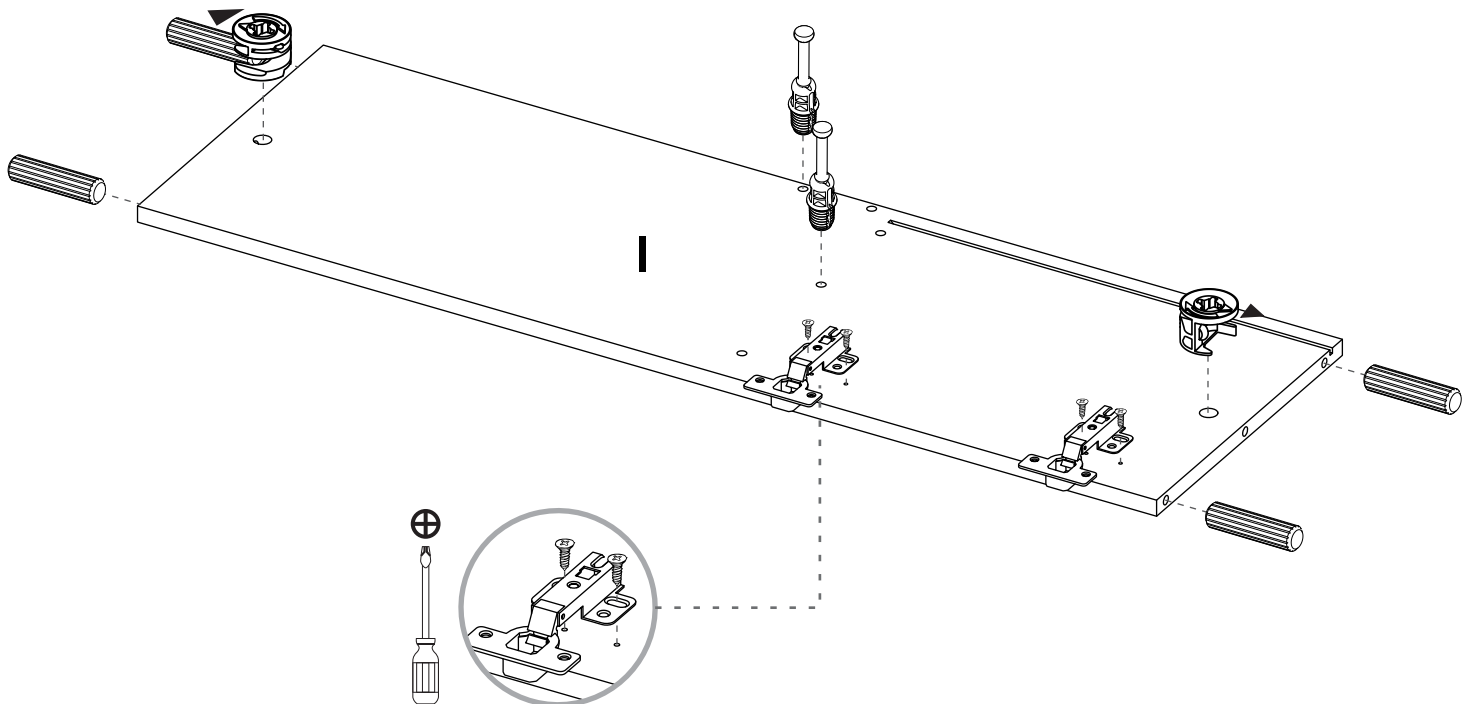
22



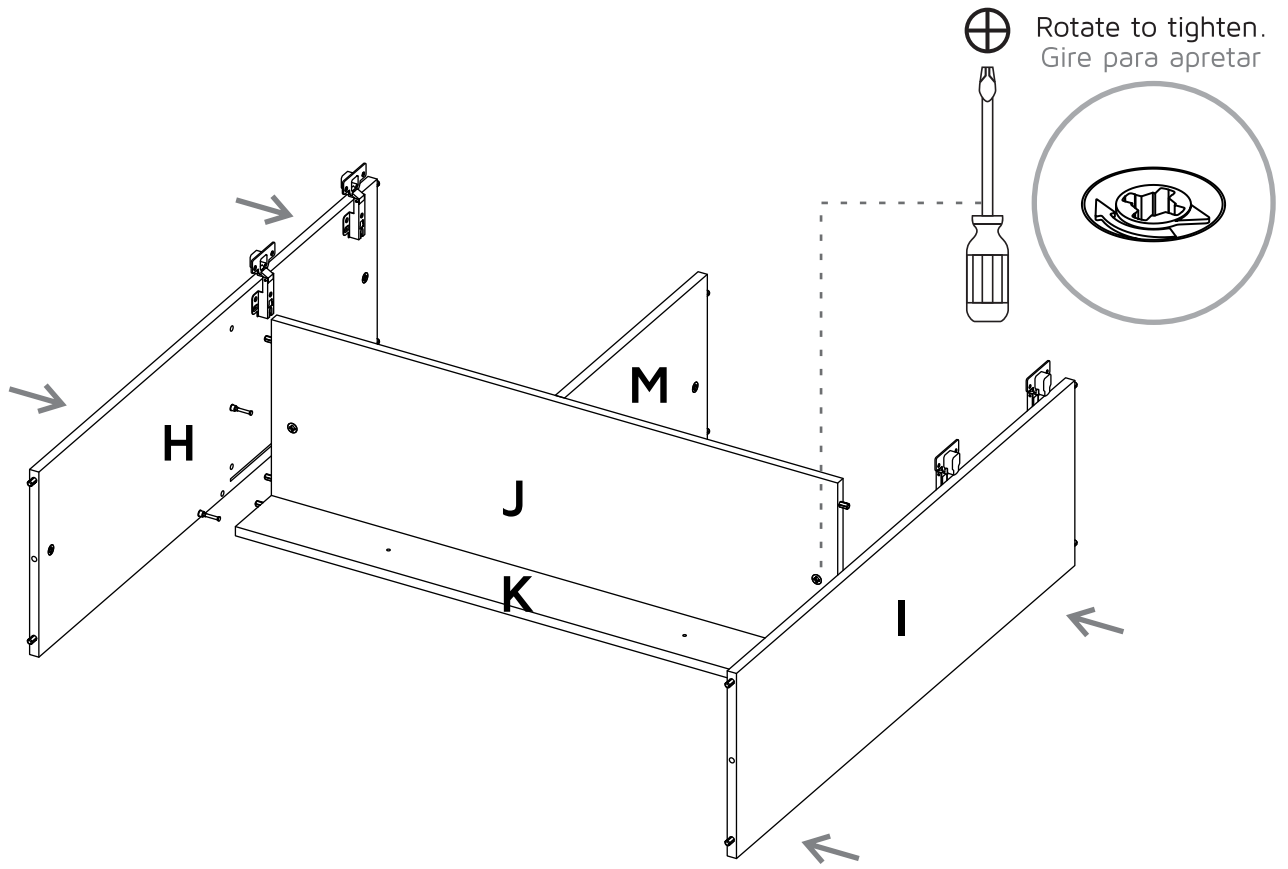
23



24



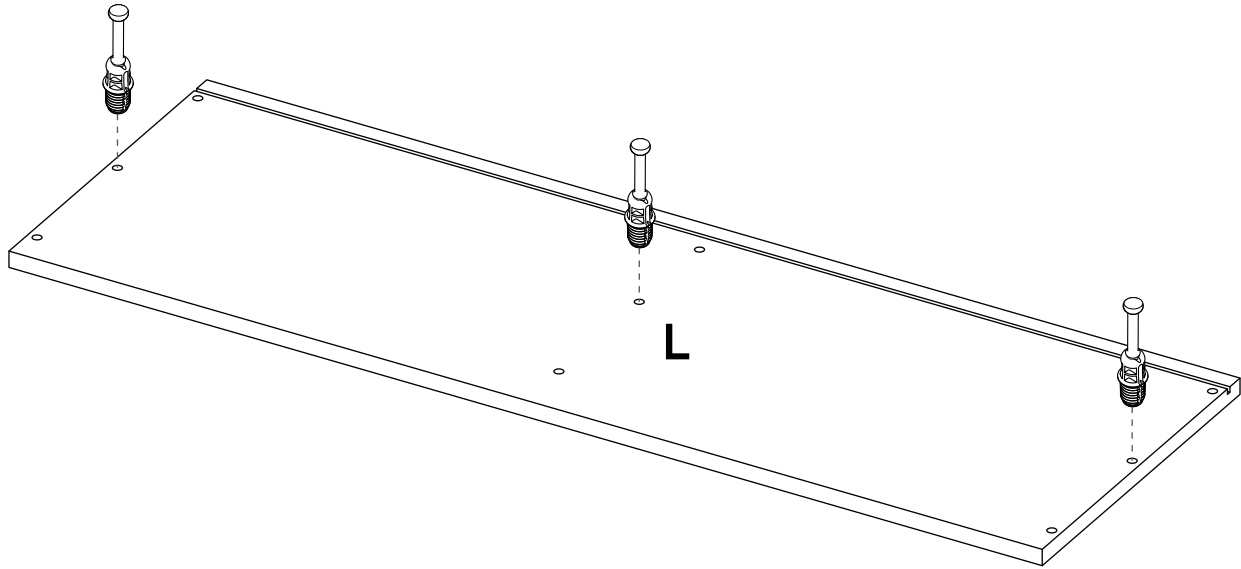
25



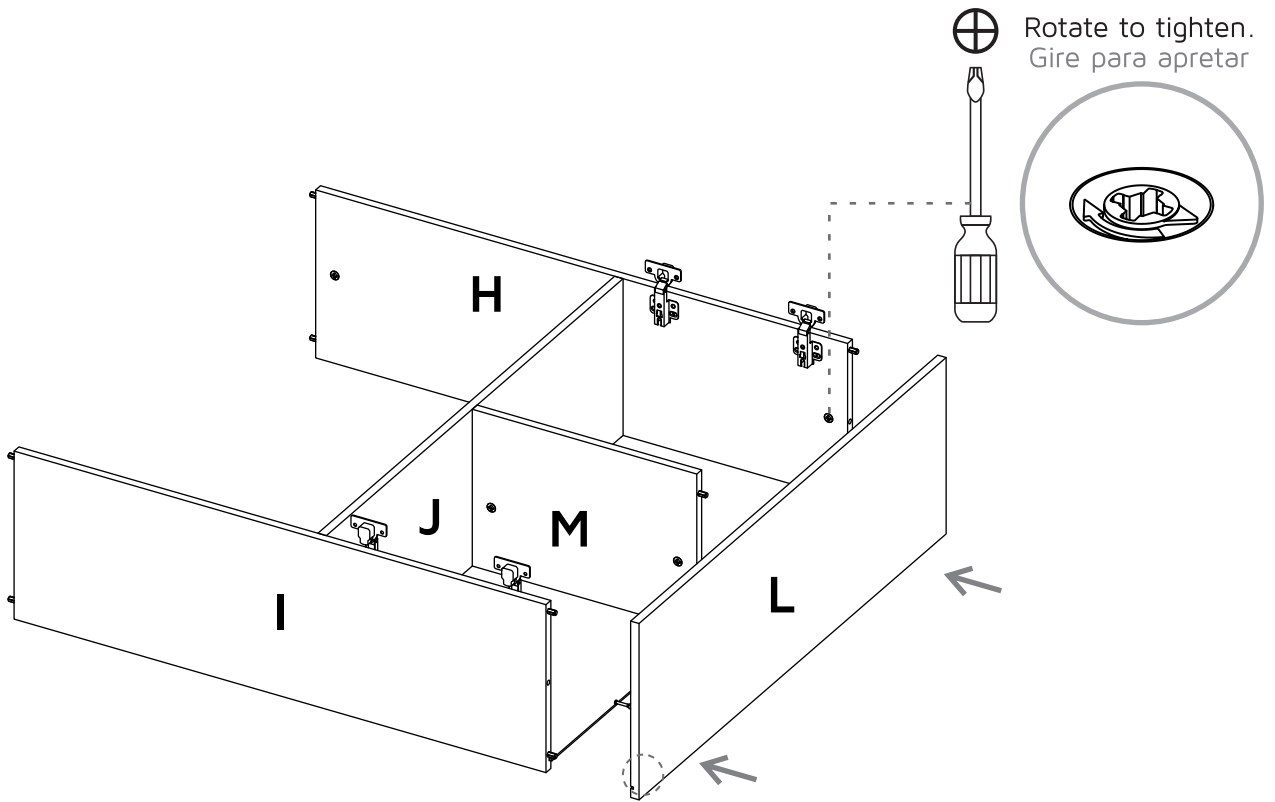
26



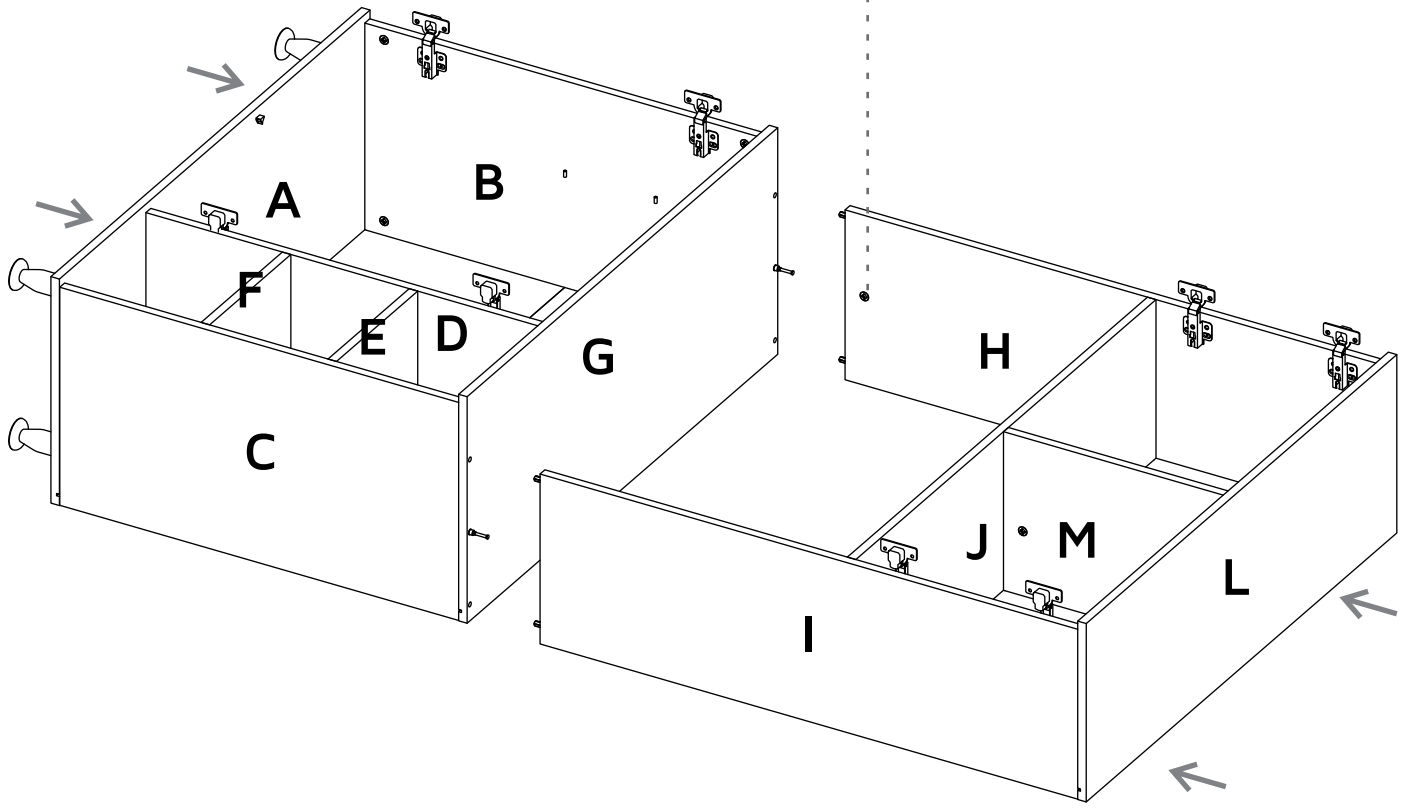
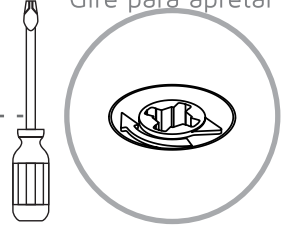
27



28



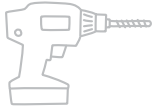
⊕ Rotate to tighten.
Gire para apretar



30

Fixing the cabinet to the wall Instalación del mueble a la pared

1 You must drill the bottoms guided by the holes in the structures with a 3/16" drill bit. / Debes perforar los fondos guiandote de las perforaciones de las estructuras con una broca 3/16".



2 On the wall, measure and mark the points shown below / En la pared, mide y marca los puntos que te indicamos abajo.



3 Drill on the markings with a 5/16" drill bit / Debes perforar en los puntos con taladro y una broca de 5/16".



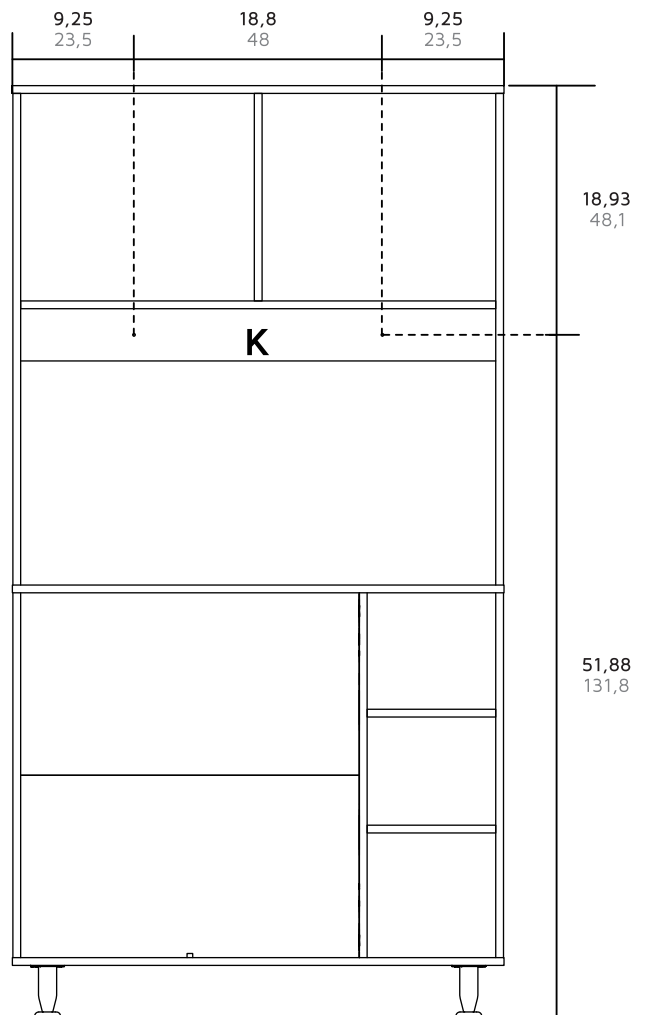
4 Insert the wall anchors inside the drillings / Inserta los chazos plásticos en las perforaciones.



5 Place the cabinet and secure it with the screws / Ubica el mueble y asegúralo con los tornillos.

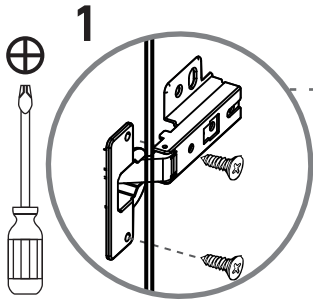
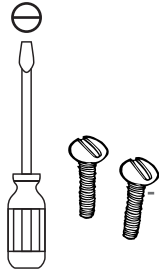
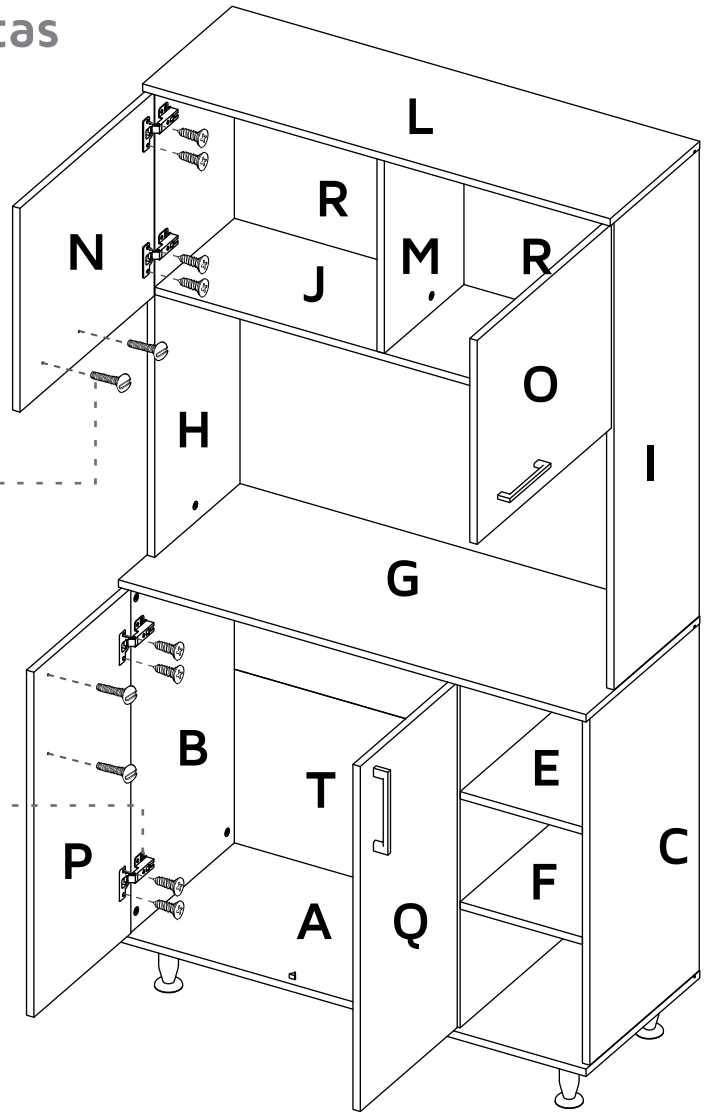


*Inches
Centimetros

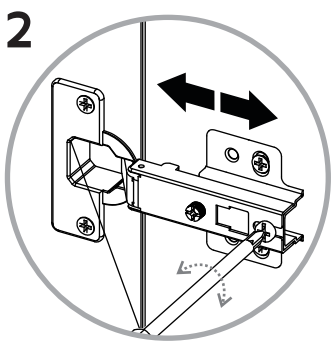


31

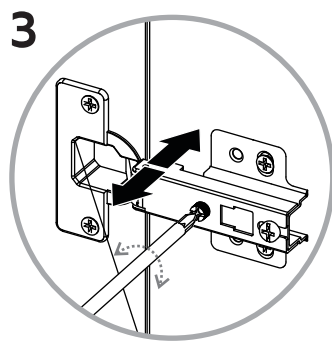
Door Installation Instalación de las Puertas



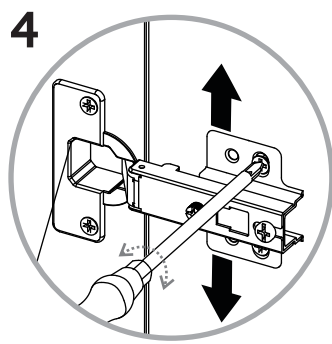
Hinge adjustment
Ajuste de las bisagras



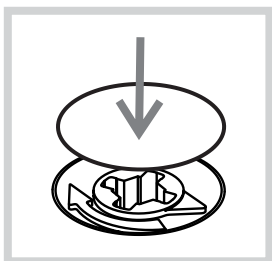
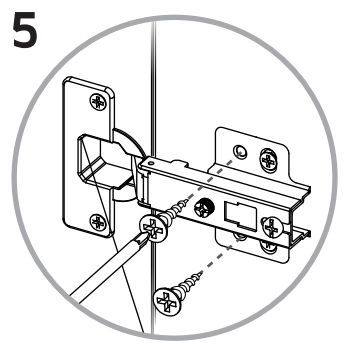
Depth adjustment
Ajuste de profundidad



Side adjustment
Ajuste lateral

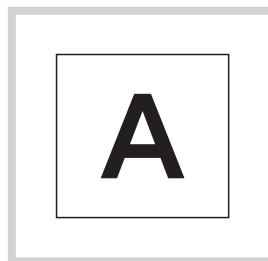


Height adjustment
Ajuste de altura



After you finish the adjustment of the cams, cover them with the cover caps.

Después de ajustar todas las cajas minifix, cúbralas con las tapas adhesivas.



After you finish assembling the cabinet, take off the adhesive letters.

Al terminar de armar, desprenda las letras adhesivas.

WARRANTY POLICY

PÓLIZA DE GARANTÍA

Furniture has a 1 year warranty coverage in wooden parts and hardware pieces since its manufacturing date, which you can see in the lot number printed on the product box and the assembly instructions leaflet.

Warranty covers materials and workmanship imperfections which impair the assembly or correct functioning of the cabinet.

This warranty is not valid if the defects or imperfections are caused by the incorrect following of the assembly instructions, warnings and recommendations, misuse, intentional damage, fire or flood, or after modifications or any kind of alteration, or repaired by someone not authorized, when it's been assembled 3 months after the date of purchase. These defects **MUST** be reported before the warranty coverage period ends. Once the product has been assembled, the company will not be responsible for defective and/or damaged parts.

This warranty is **ONLY** valid for the **ORIGINAL PURCHASER**, it doesn't apply if the product has been resold, rented, etc.

Furniture will take no liability for incidental or consequential damages caused to or by the product (This may not apply in your state).

To make this warranty valid you must write to our customer service email describing the product defect, lot number and submitting your sales receipt or proof of purchase, or contact us at our customer service line. Replaced parts will be under the product's original warranty coverage period. Damaged parts will become property of the company.

There are no other warranties applicable to this product.