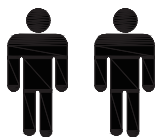
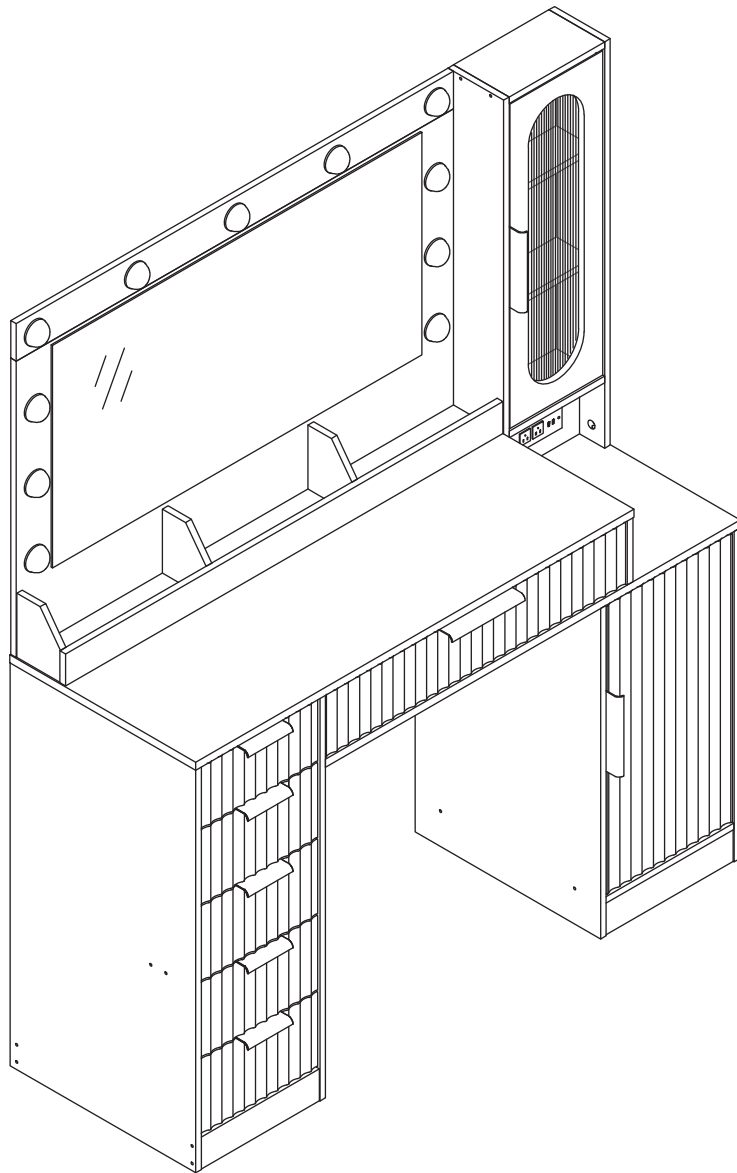


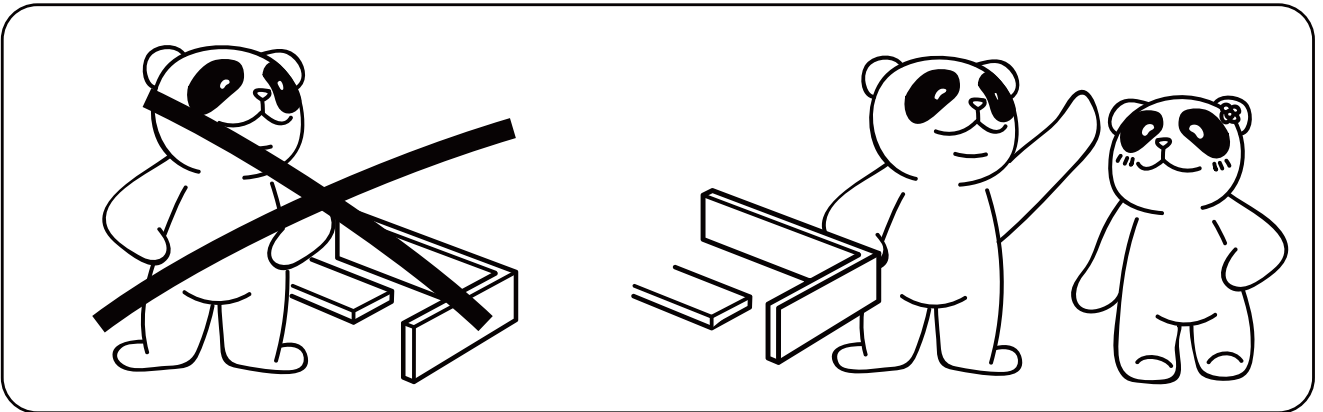
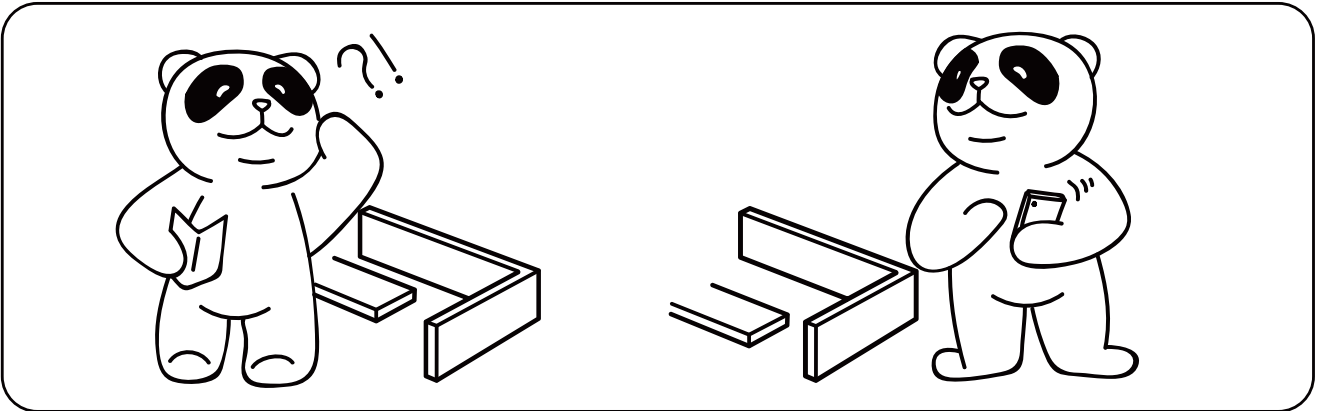
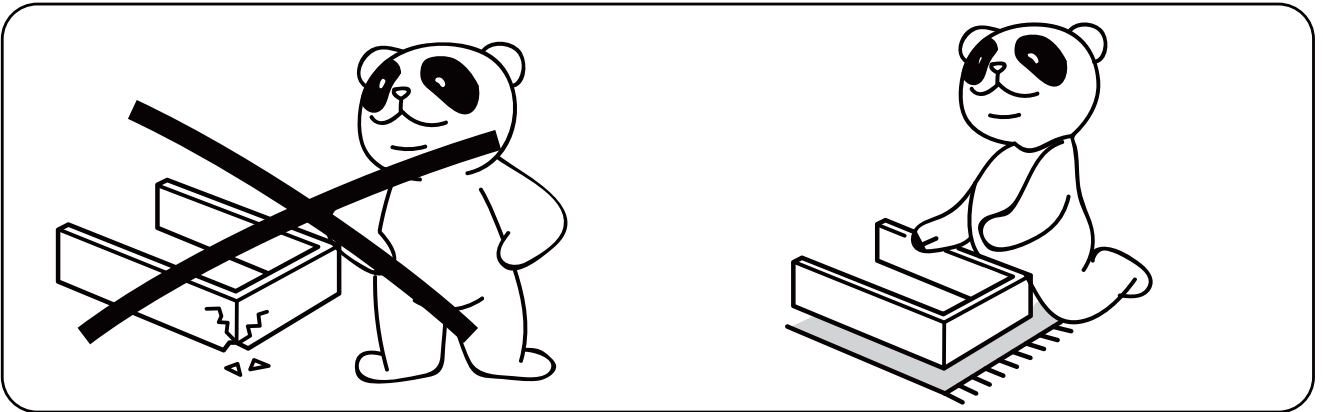
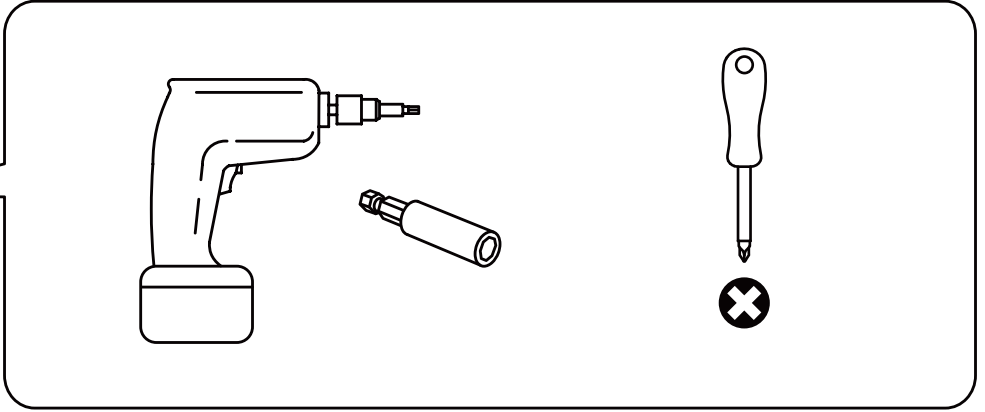
Version:1.0



2 PERS.



DJ504425



Installation Parts



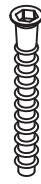
A
x43(+2)
Ø6x35mm



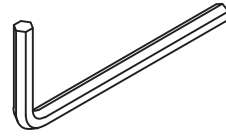
B
x43(+2)
Ø15x9mm



C
x35(+2)
Ø6x30mm



D
x54(+4)
Ø5x40mm



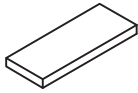
E
x1
Ø3mm



F
x96(+5)
Ø3.5x12mm



G
x36(+2)
Ø20mm



H
x8(+2)
30x12mm



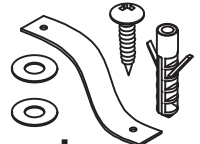
I
x3



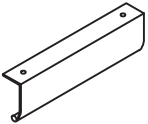
J
x5(+1)
Ø3x12mm



K
x27(+2)
Ø4x40mm



L
x2



M
x3



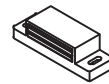
N
x1



O
x24(+2)



P
x28(+2)
Ø3x14mm



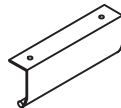
Q
x2



R
x2



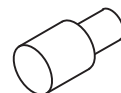
S
x3



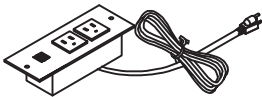
T
x5



U
x4



V
x4



W
x1



x10
Y-1



x1
Y-2

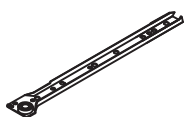


x11
Y-3

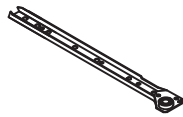


x1
Y-4

Y



CL
x6
L300mm



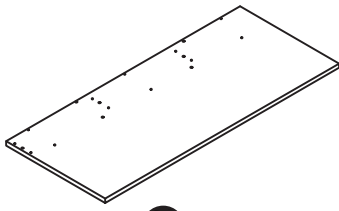
CR
x6
L300mm



DR
x6
L300mm



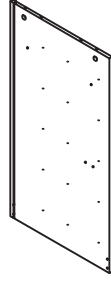
DL
x6
L300mm



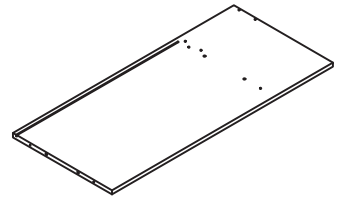
1
x1



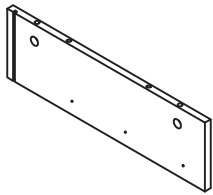
2
x1



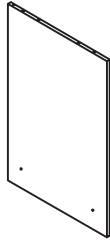
3
x1



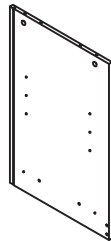
4
x1



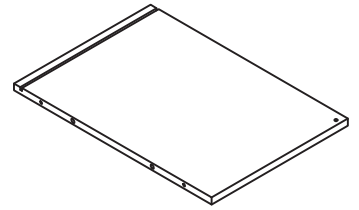
5
x1



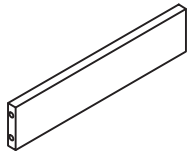
6
x1



7
x1



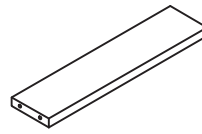
8
x1



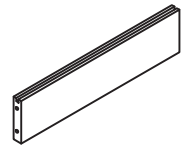
9
x1



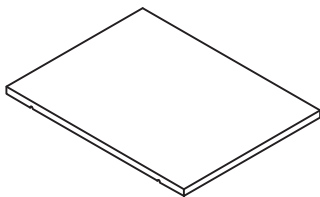
10
x1



11
x2



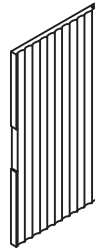
12
x1



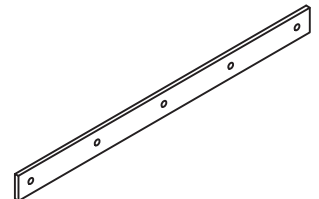
13
x1



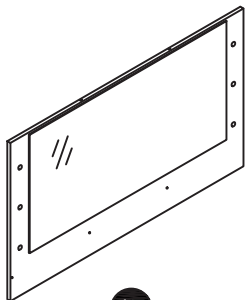
14
x1



15
x1



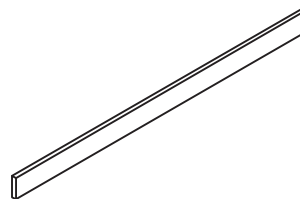
16
x1



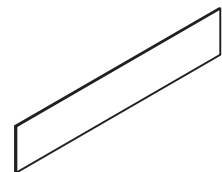
17
x1



18
x3



19
x1



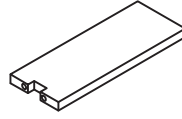
20
x1



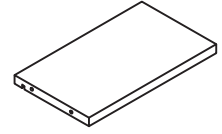
21
x1



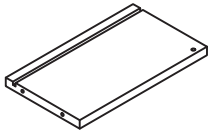
22
x1



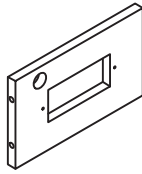
23
x2



24
x1



25
x1



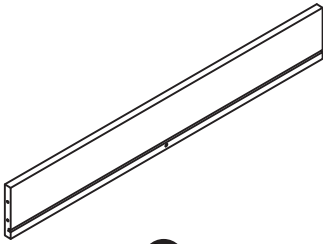
26
x1



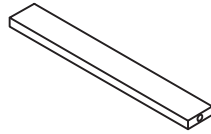
27
x1



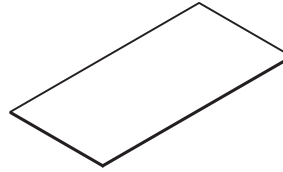
28
x1



29
x1



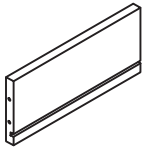
30
x1



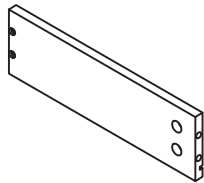
31
x1



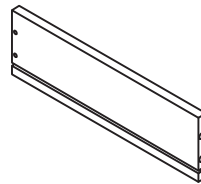
32
x1



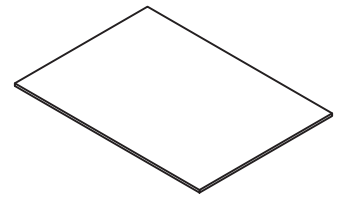
33
x5



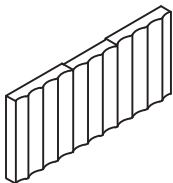
34
x6



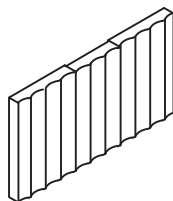
35
x6



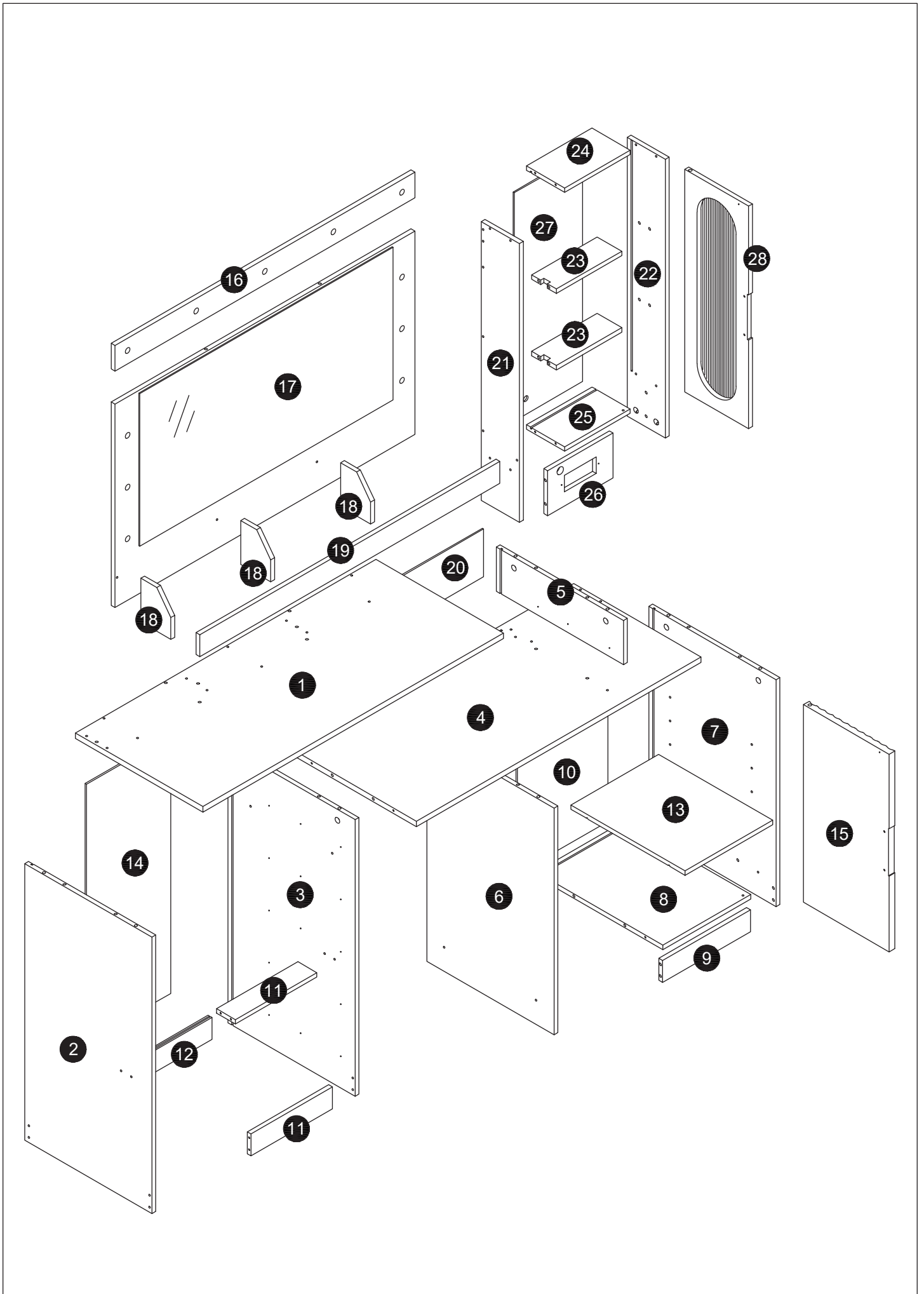
36
x5

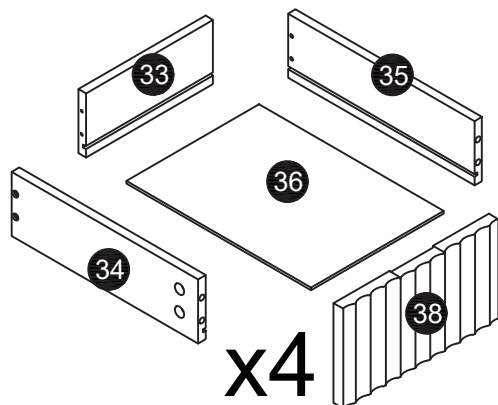
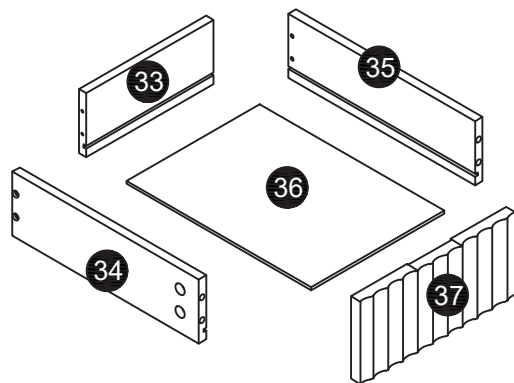
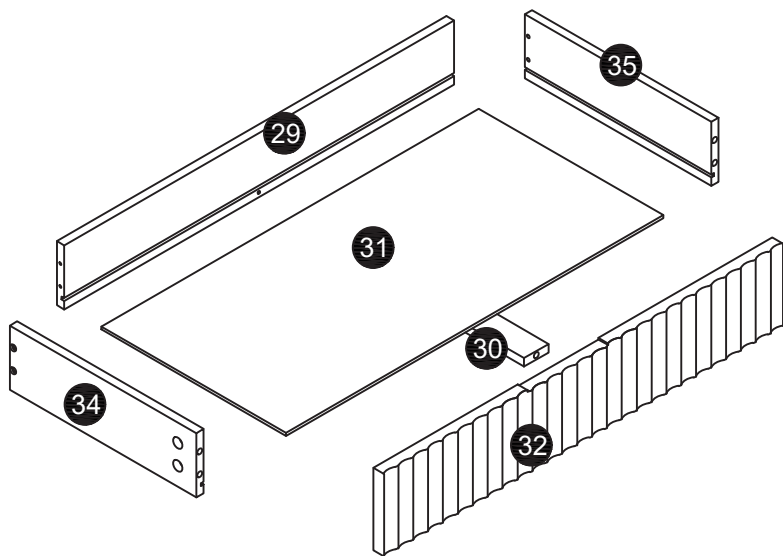


37
x1



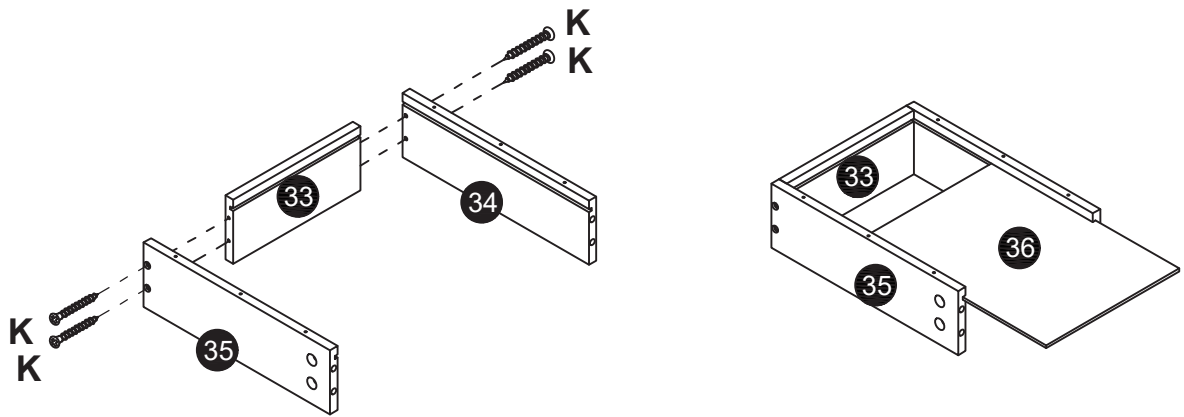
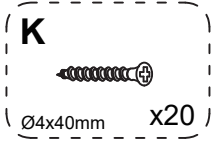
38
x4



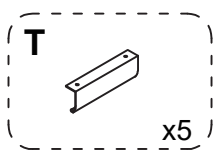
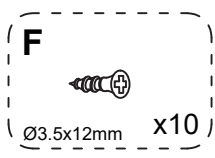
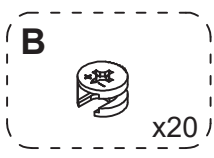
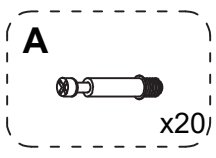


1

x5

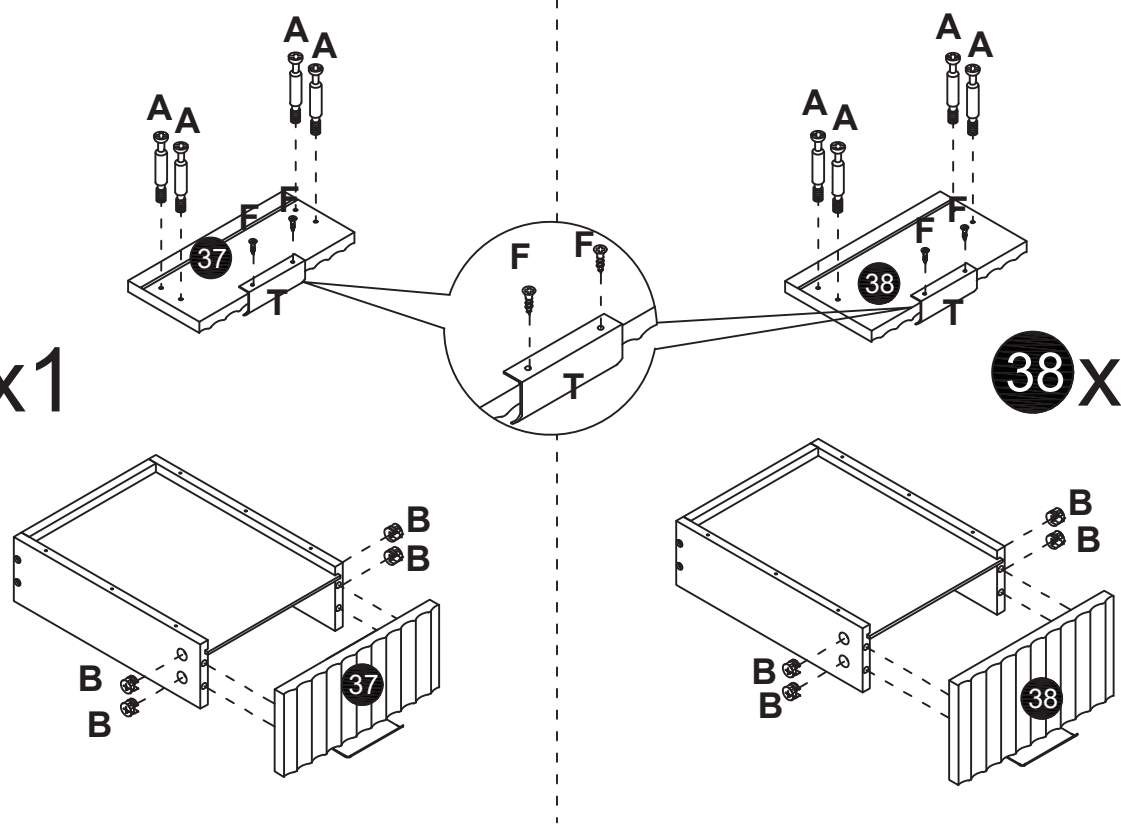


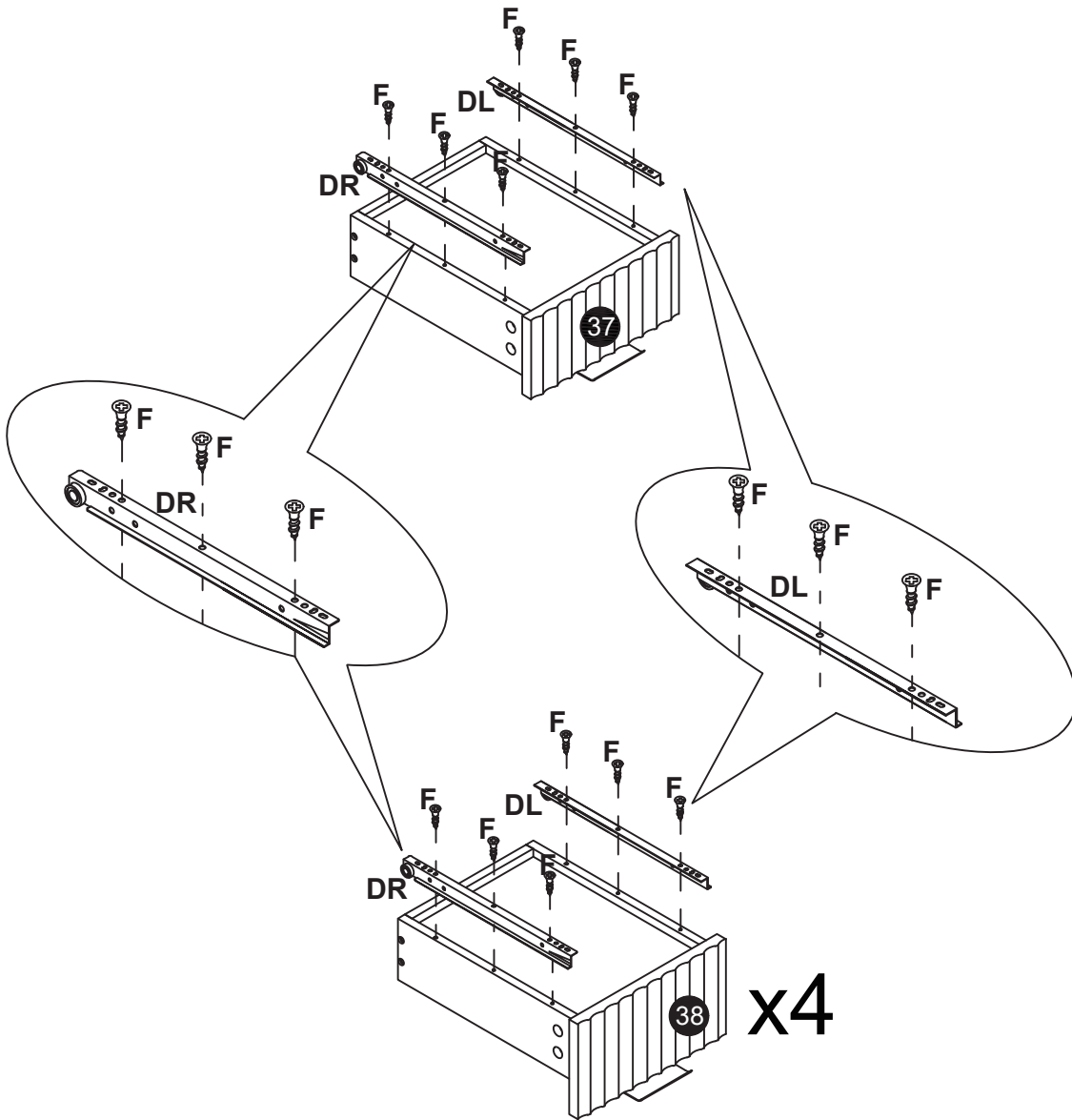
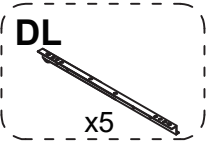
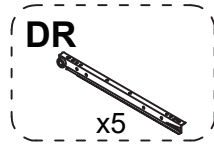
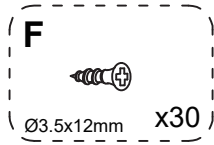
2

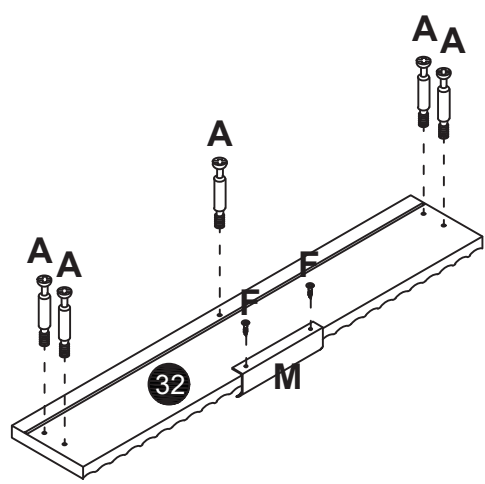
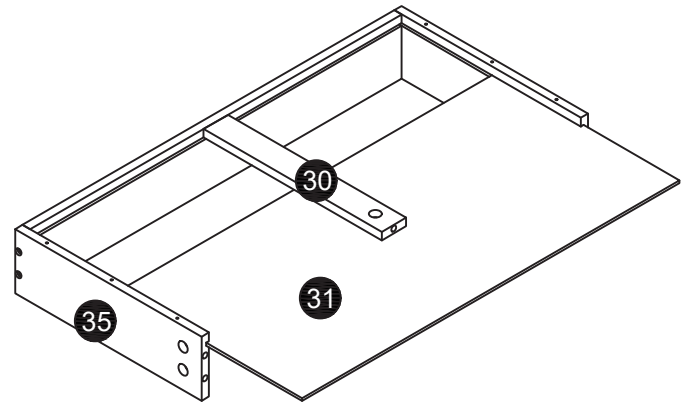
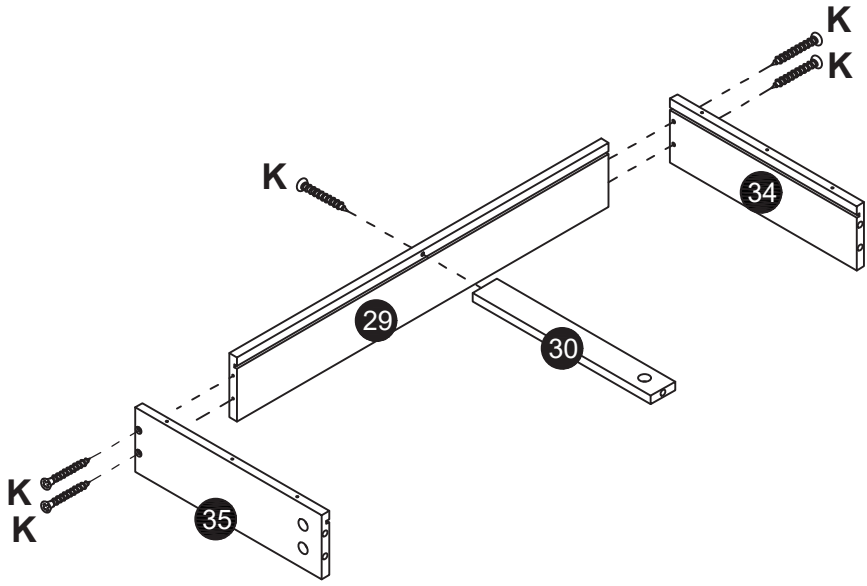
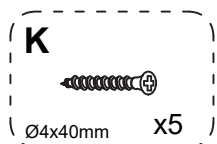
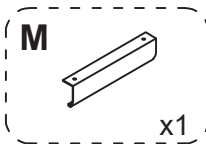
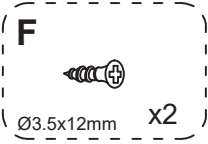
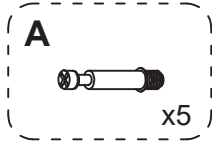


37 x1

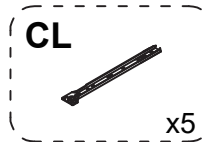
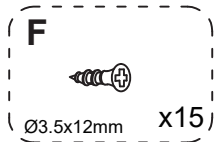
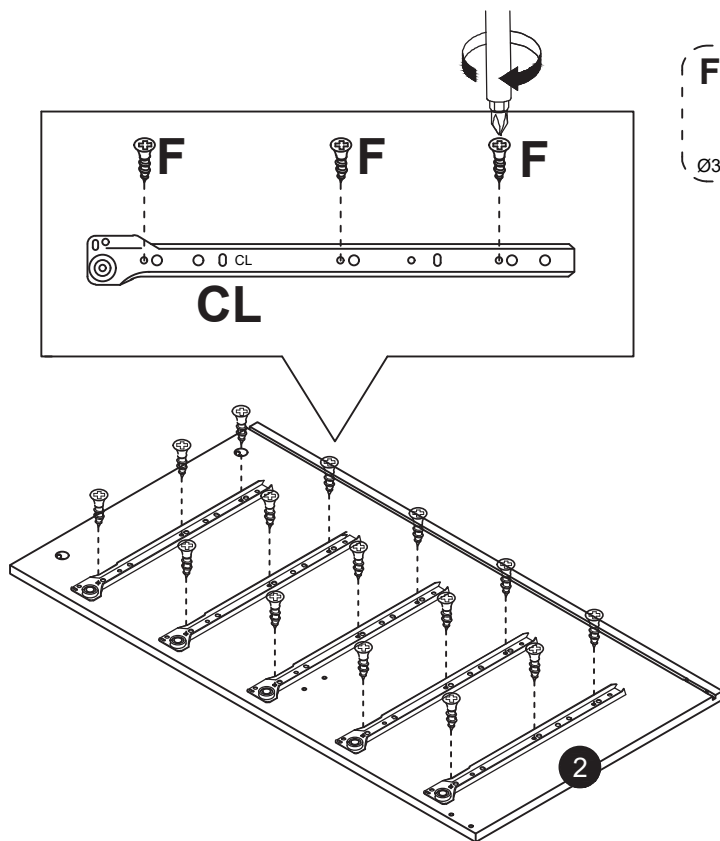
38 x4



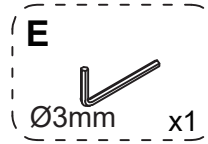
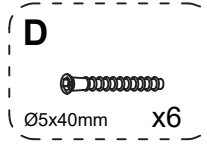
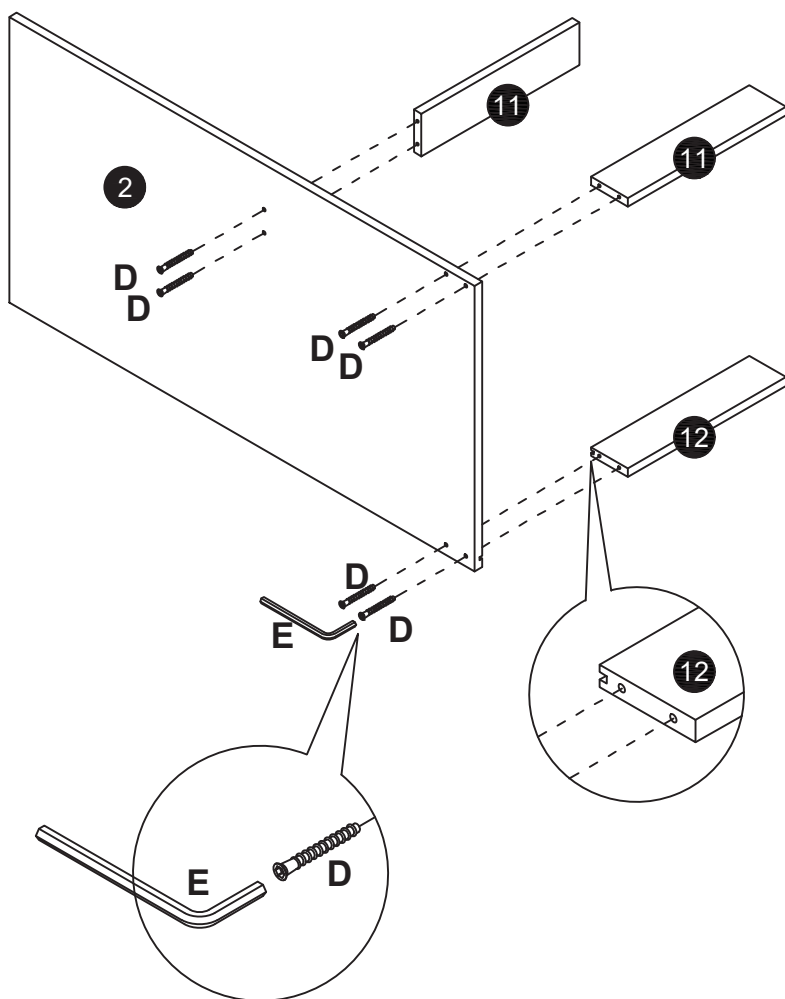


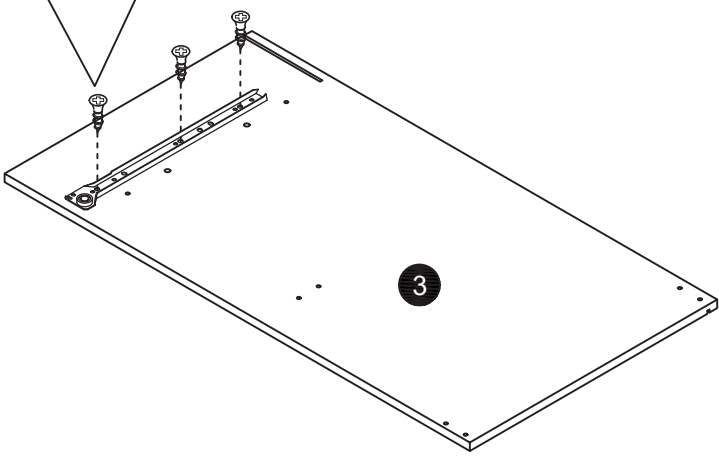
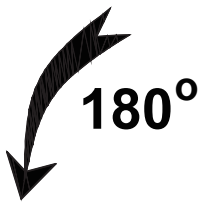
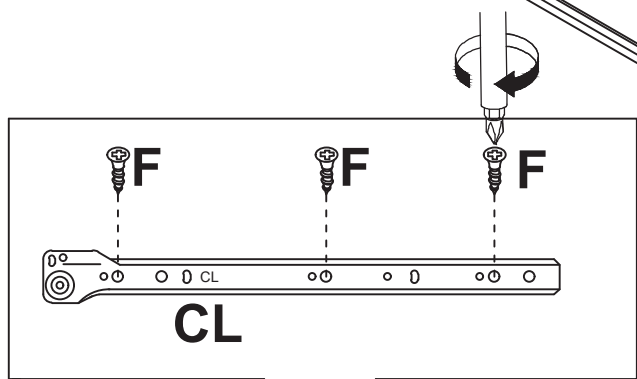
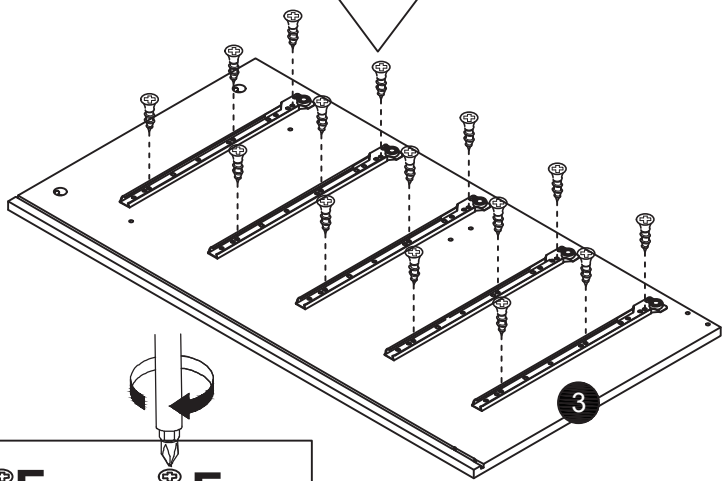
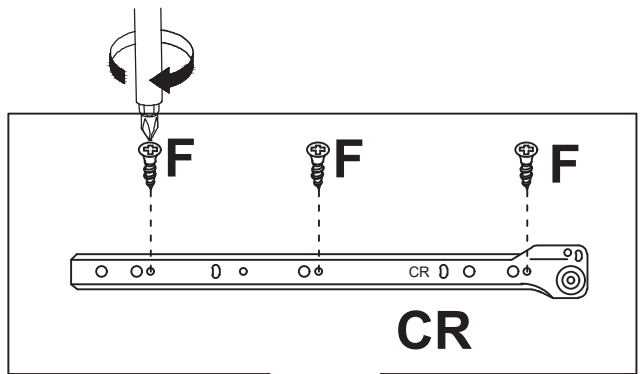
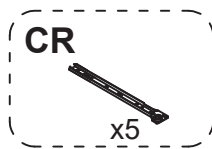
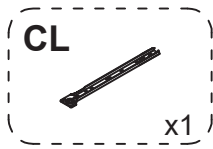
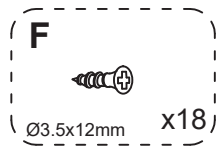


6



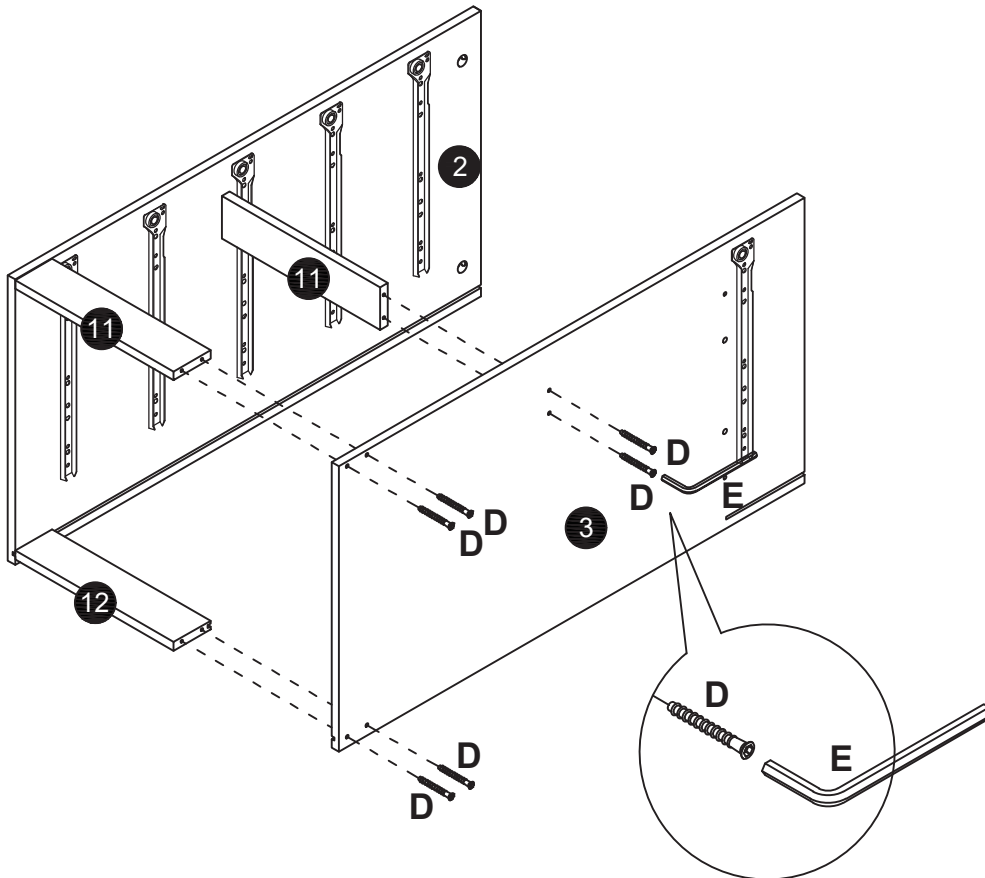
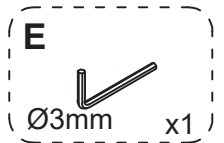
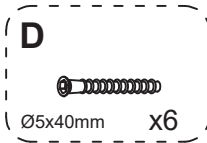
7



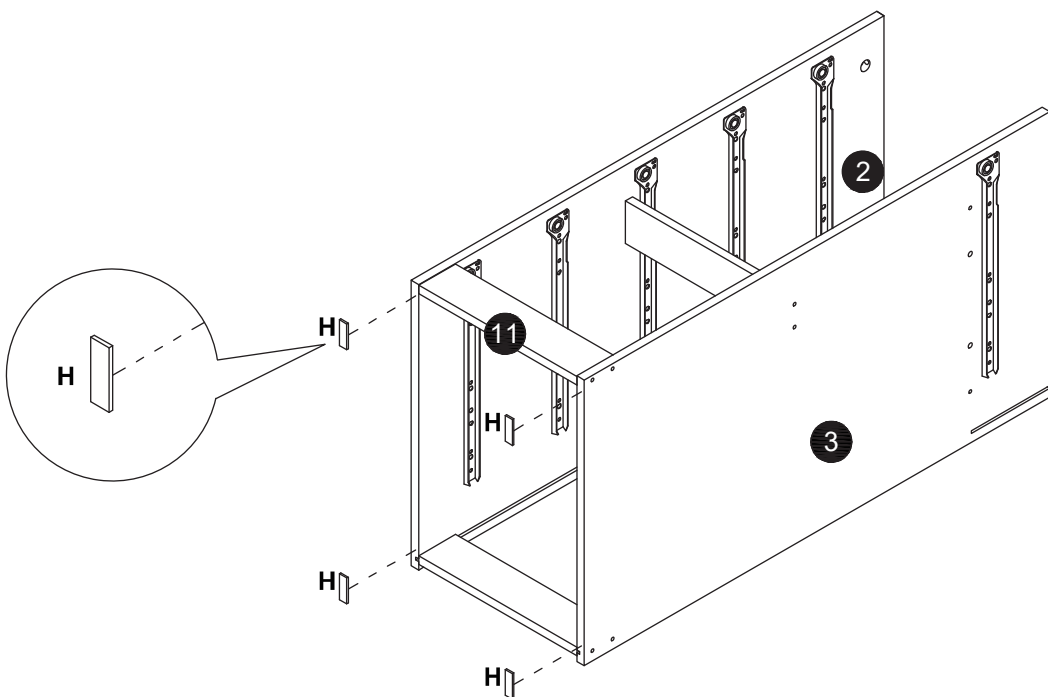
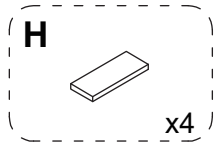


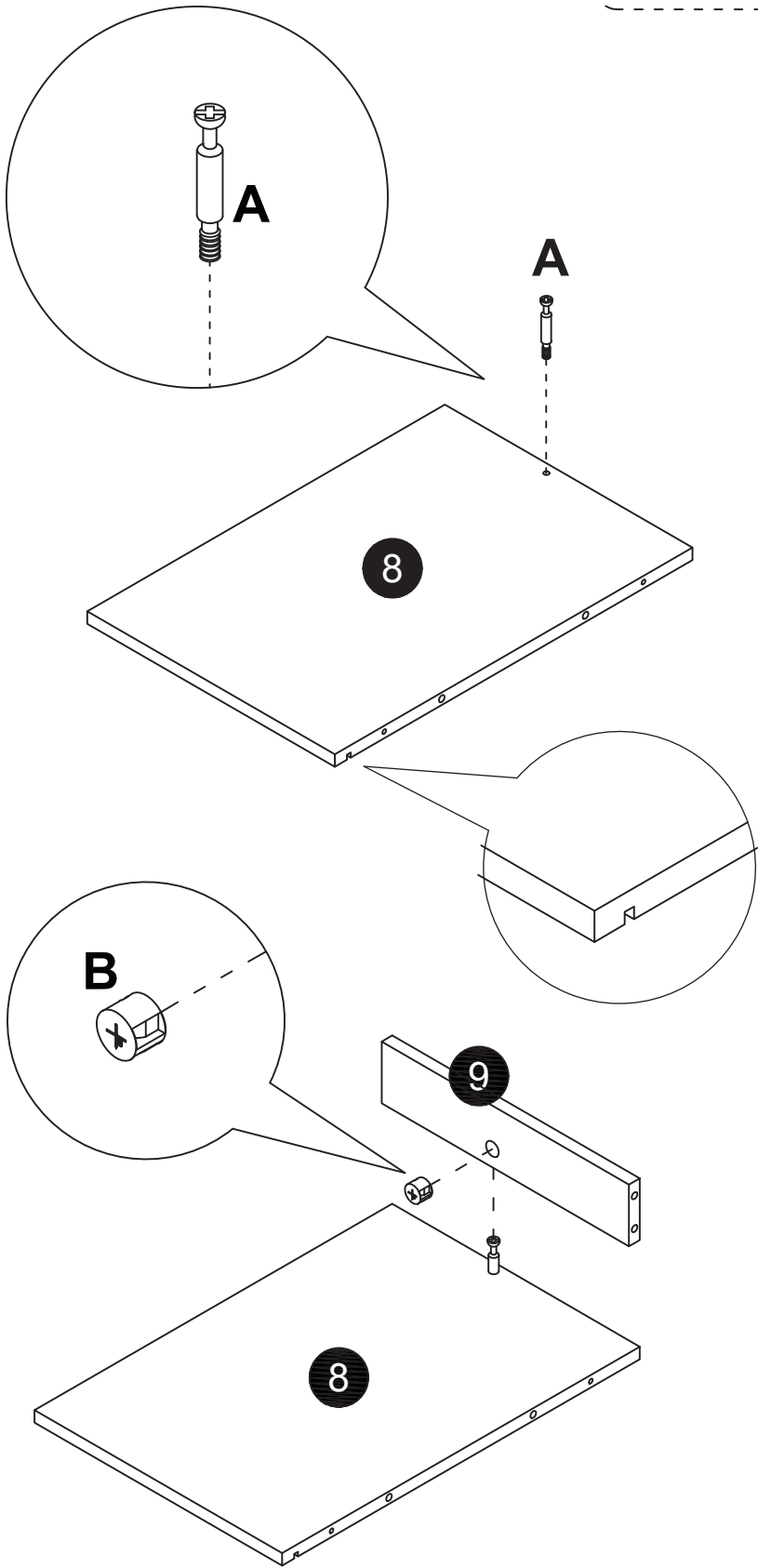
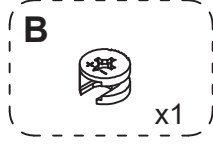
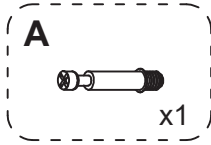
9

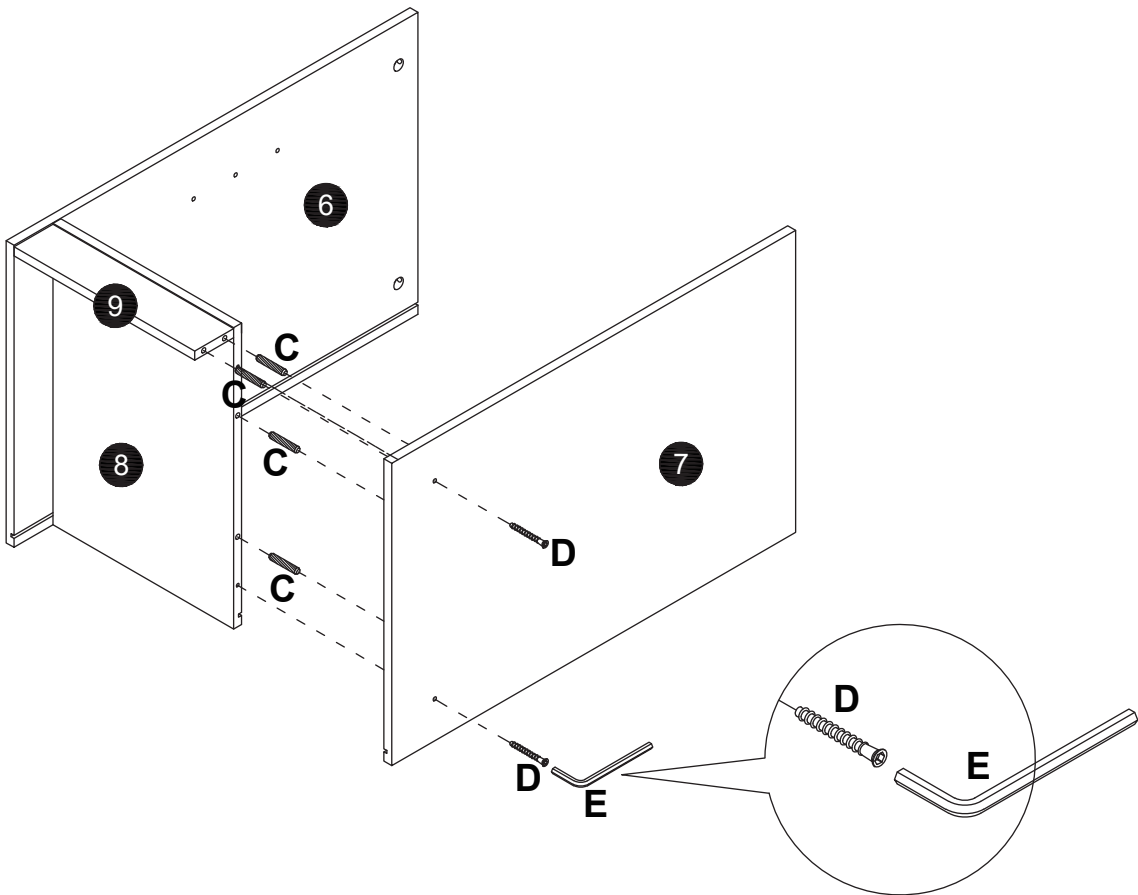
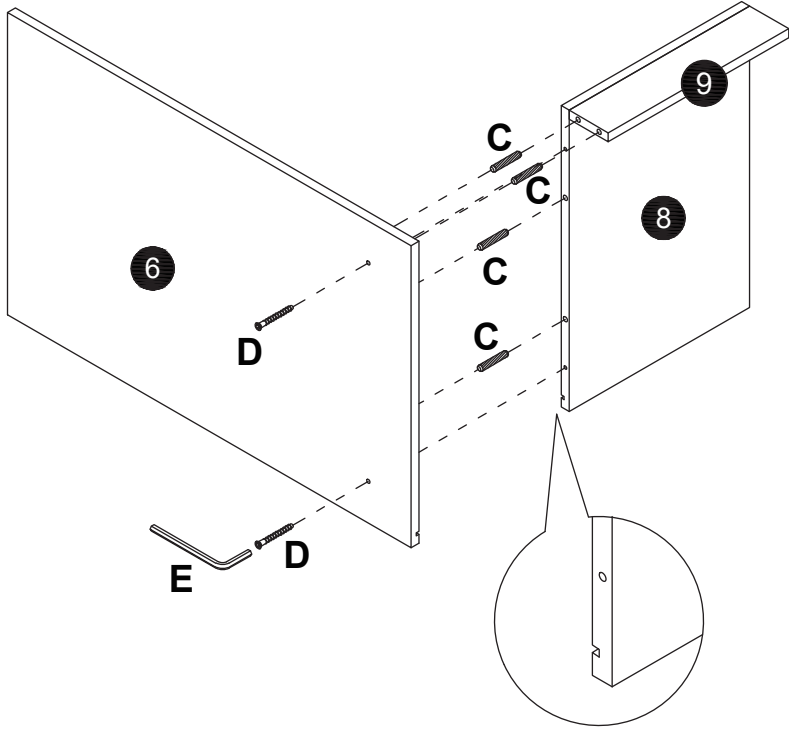
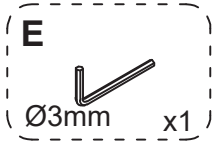
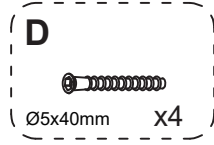
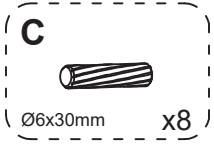
Note: At least two people are needed to complete this step to prevent the desktop from being damaged.



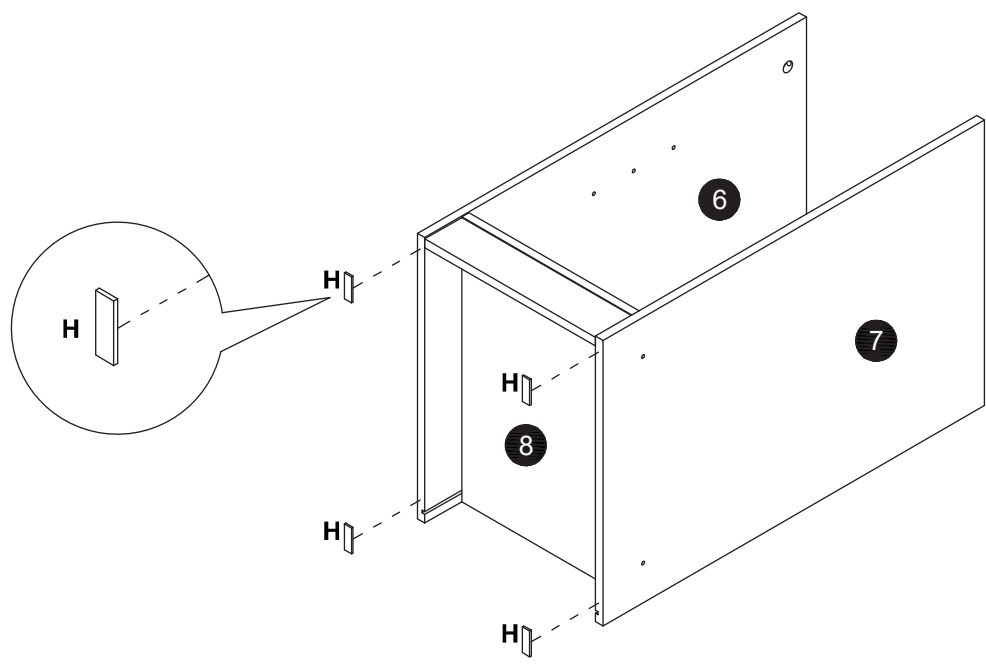
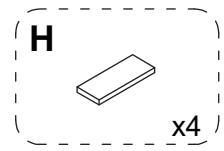
10



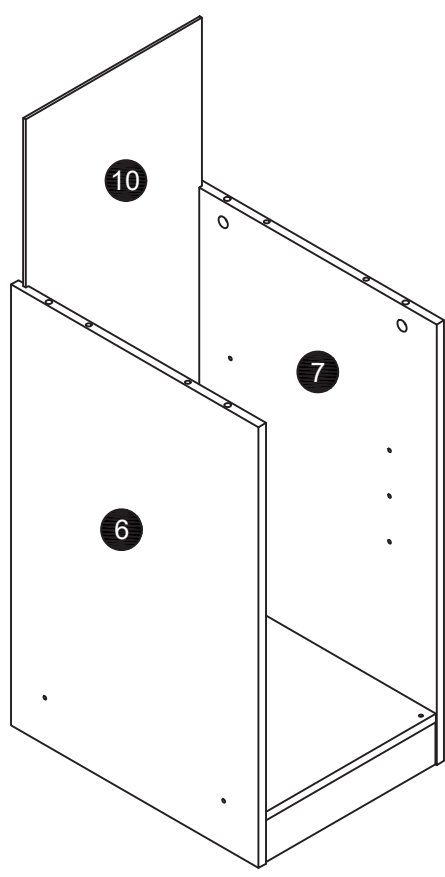


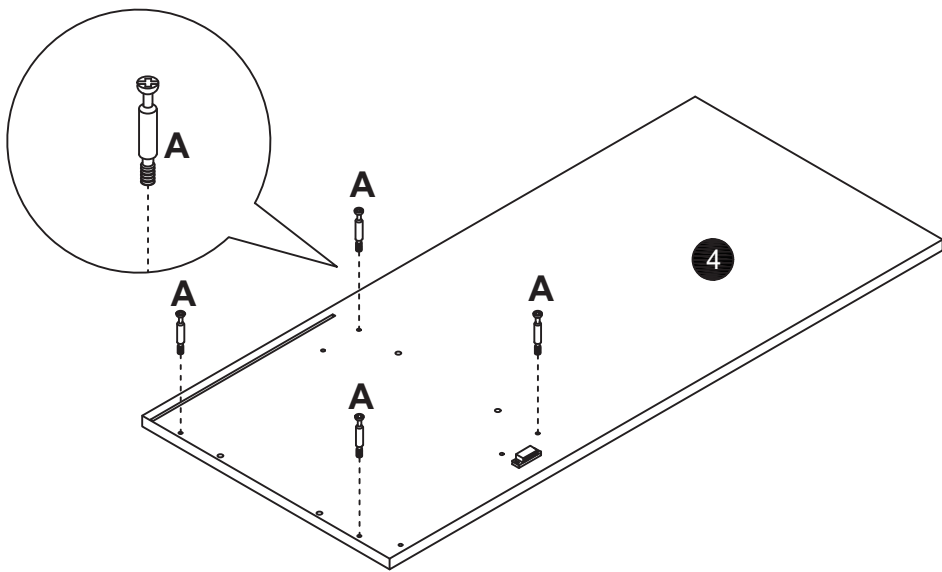
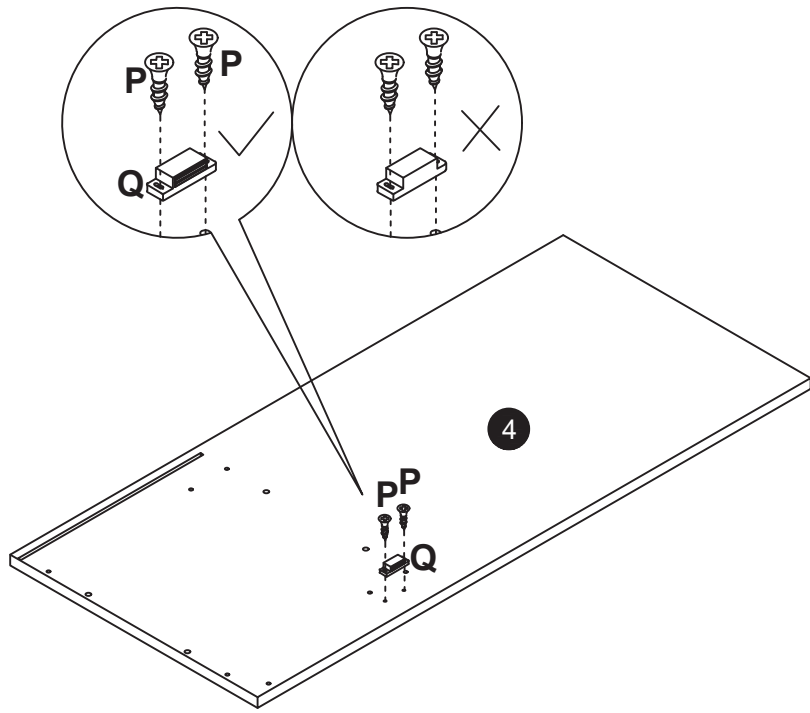
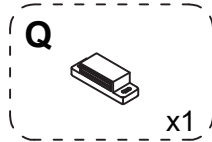
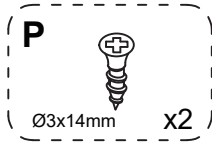
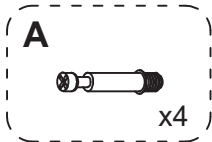


13



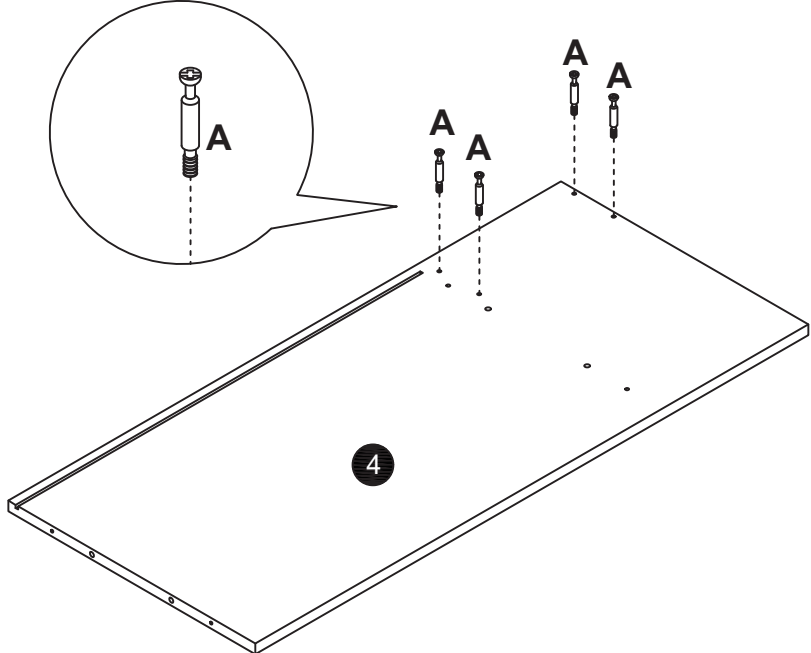
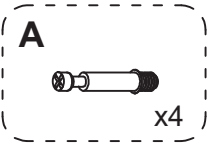
14



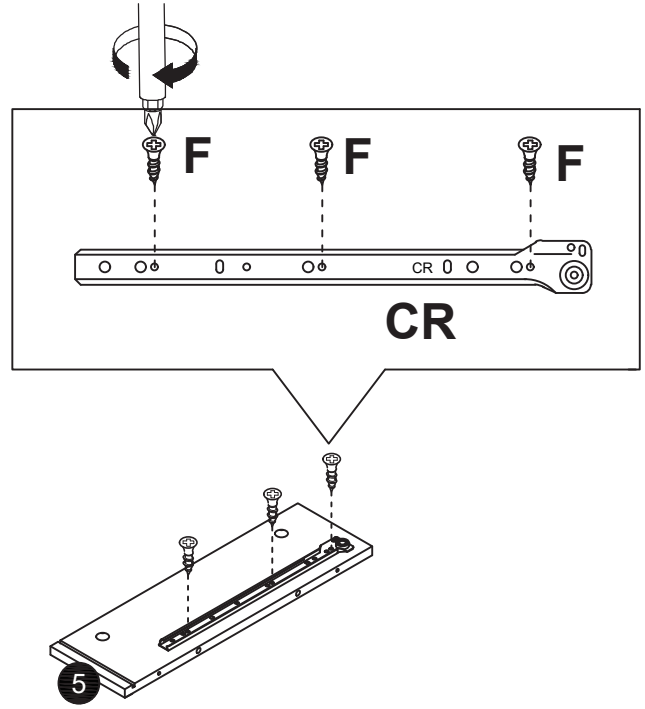
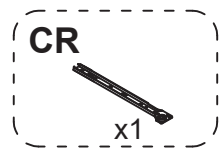
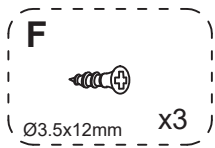


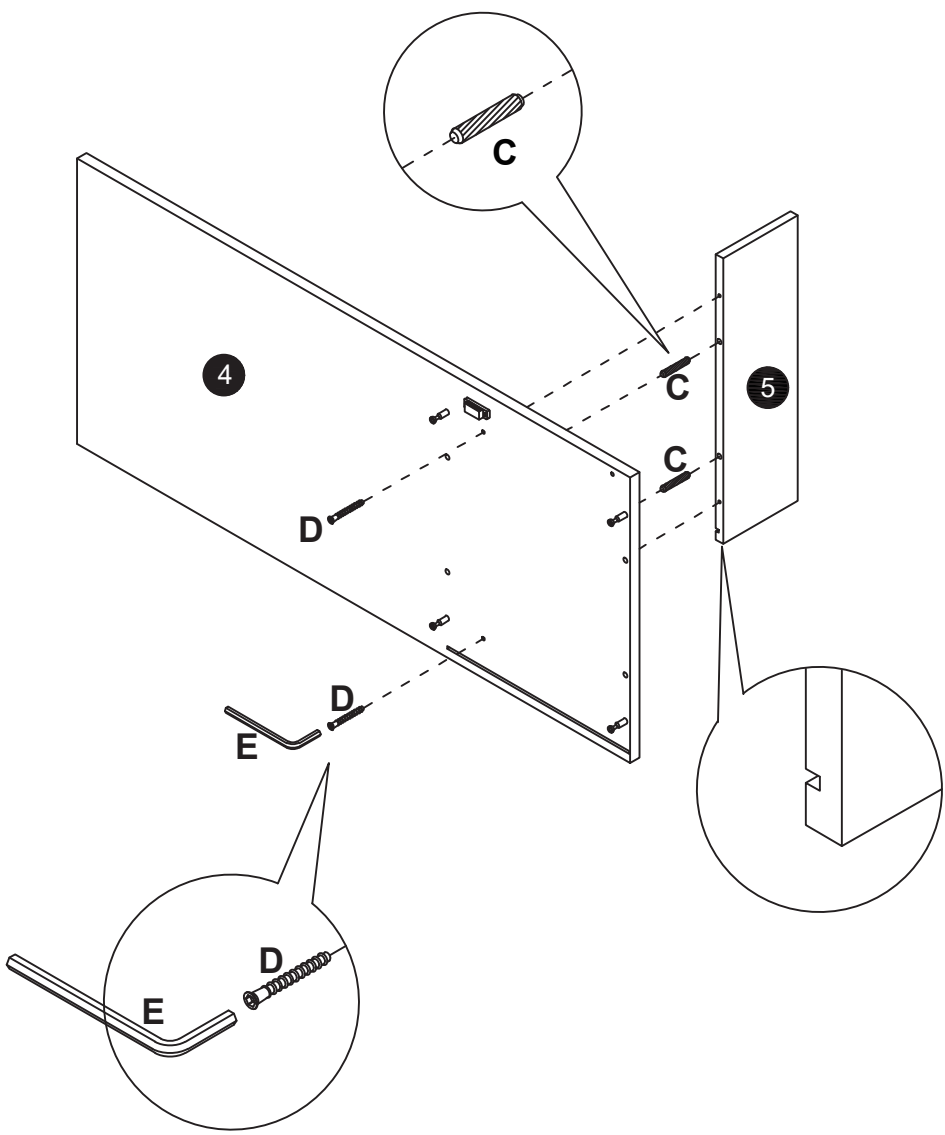
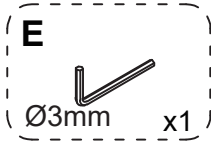
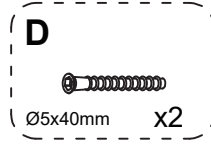
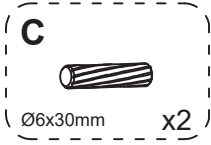
16

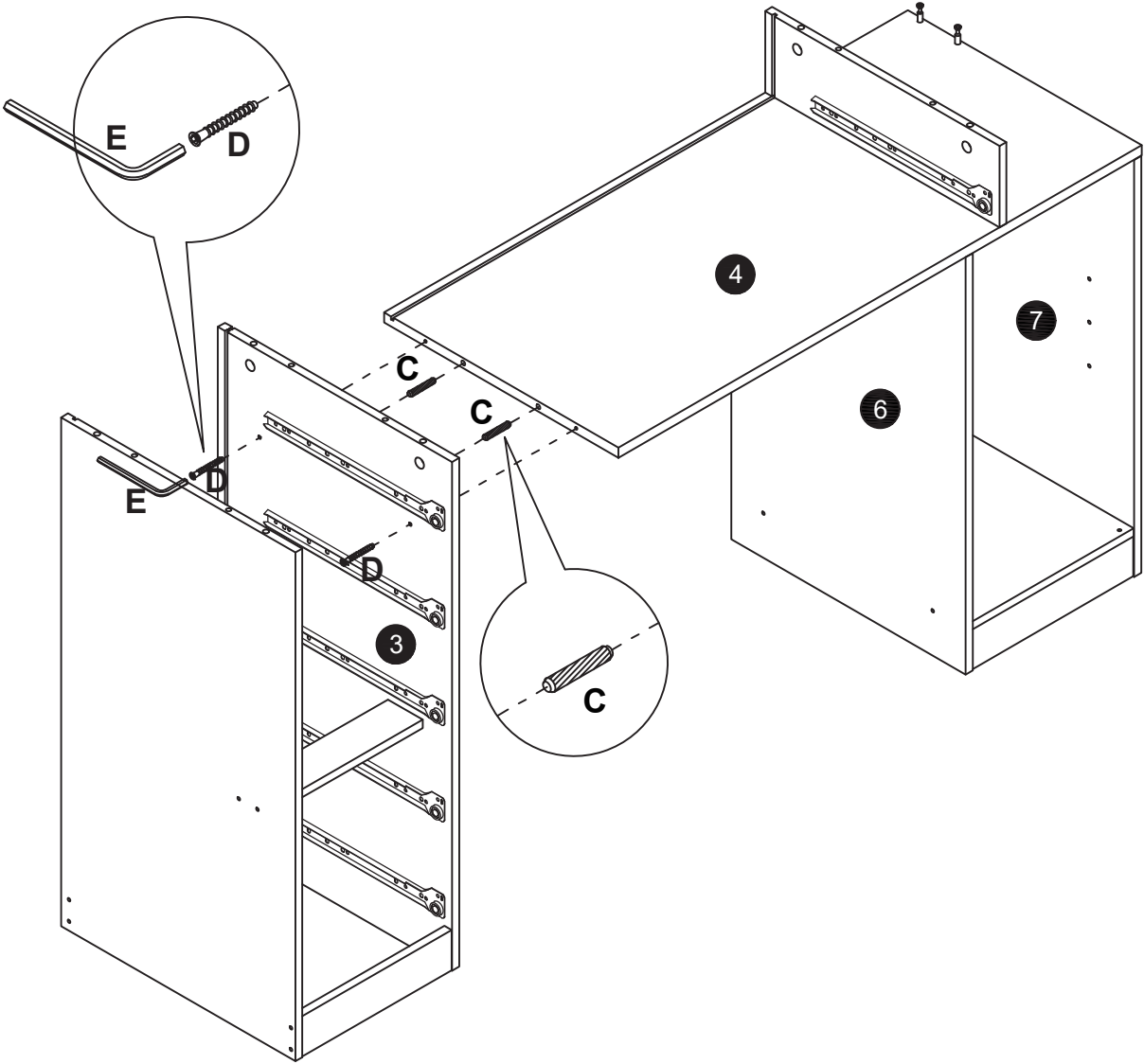
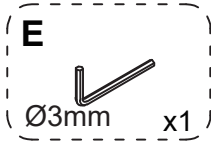
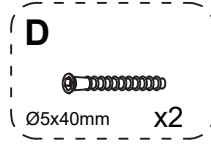
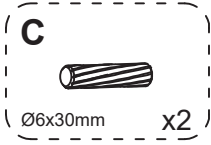
Note: Before performing this step, you need to use the foam inside the package to lay the bottom flat to prevent damage to the board.

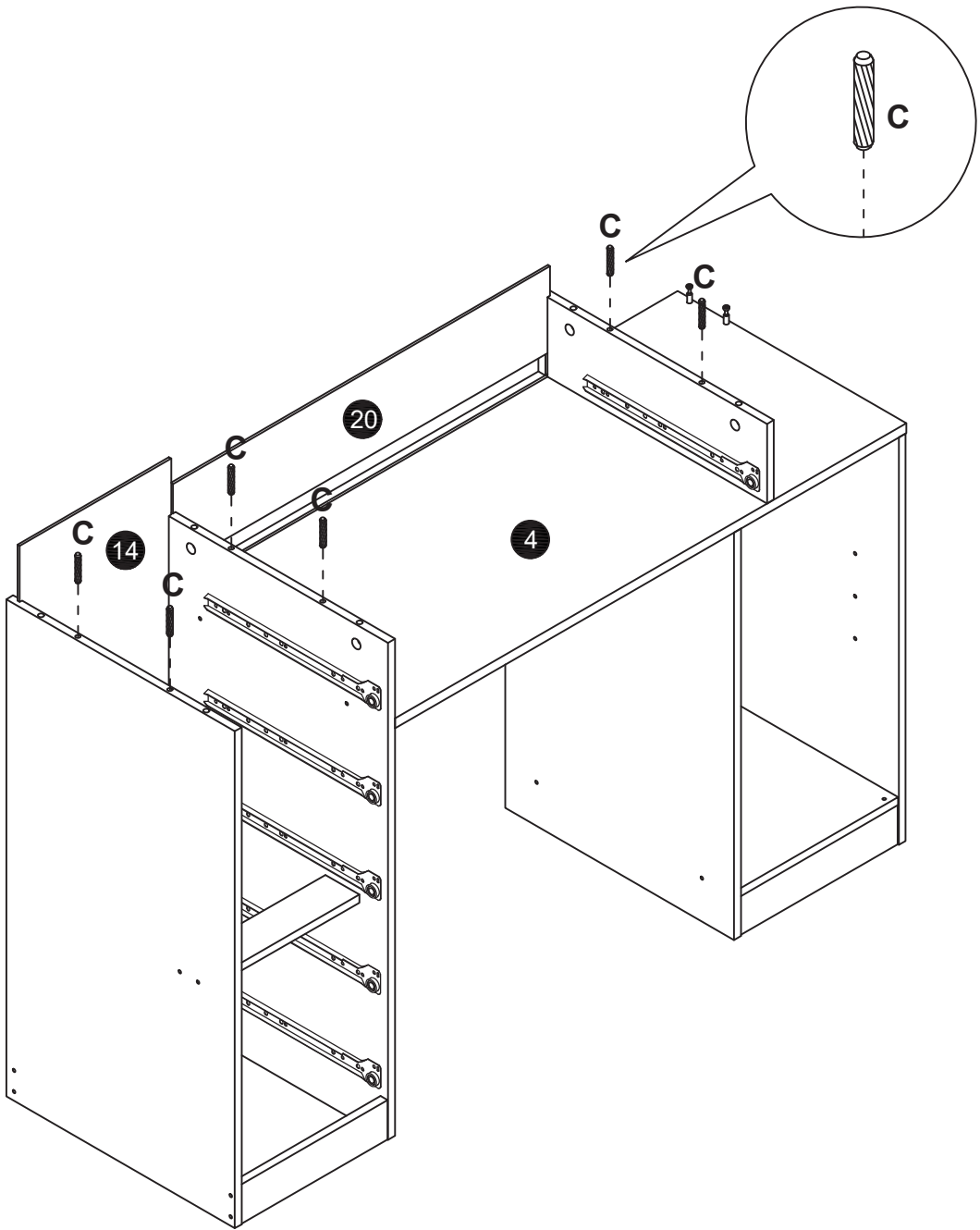
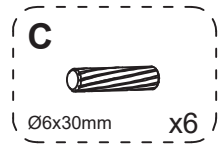


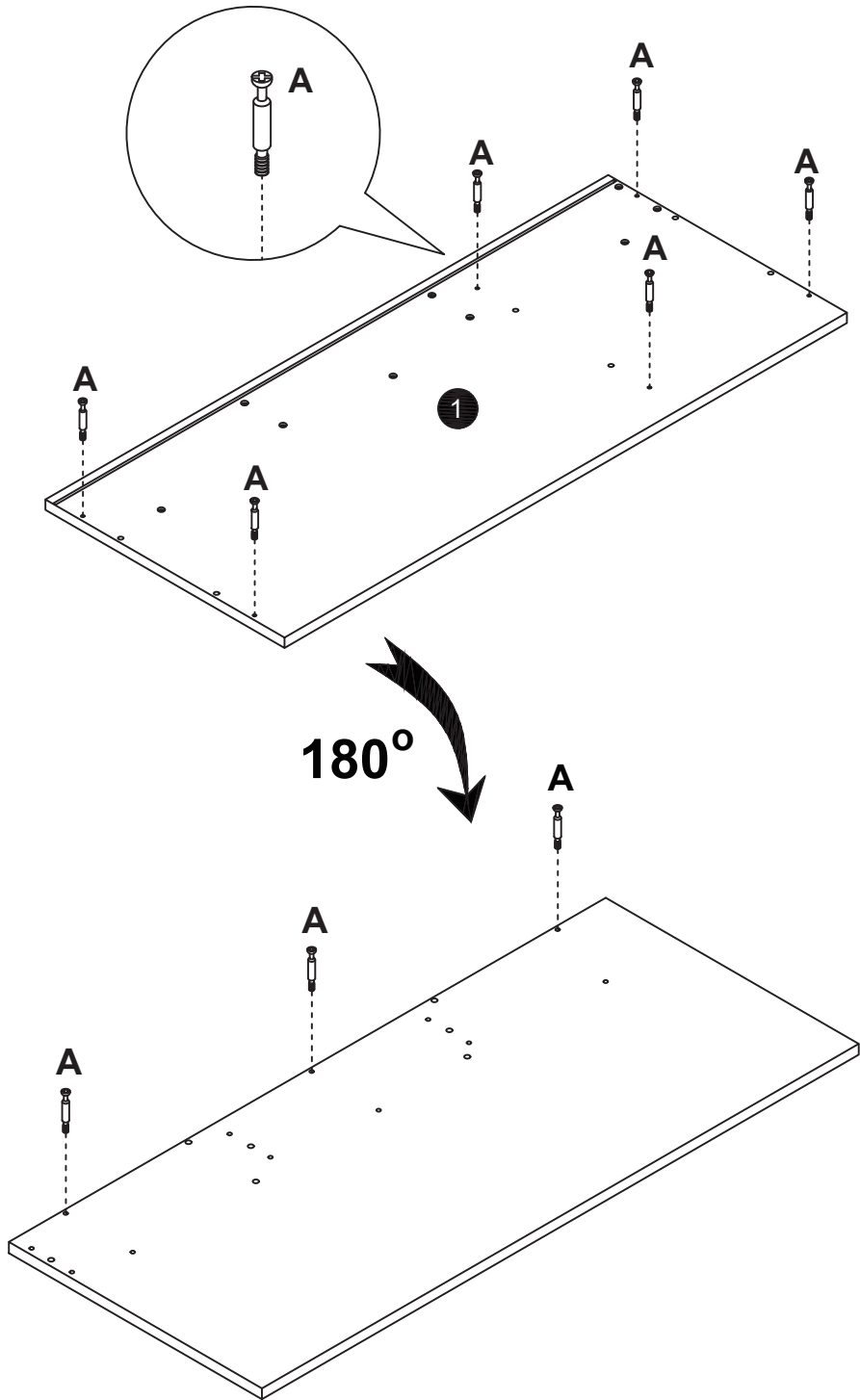
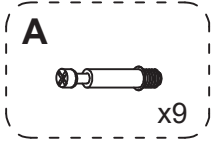
17

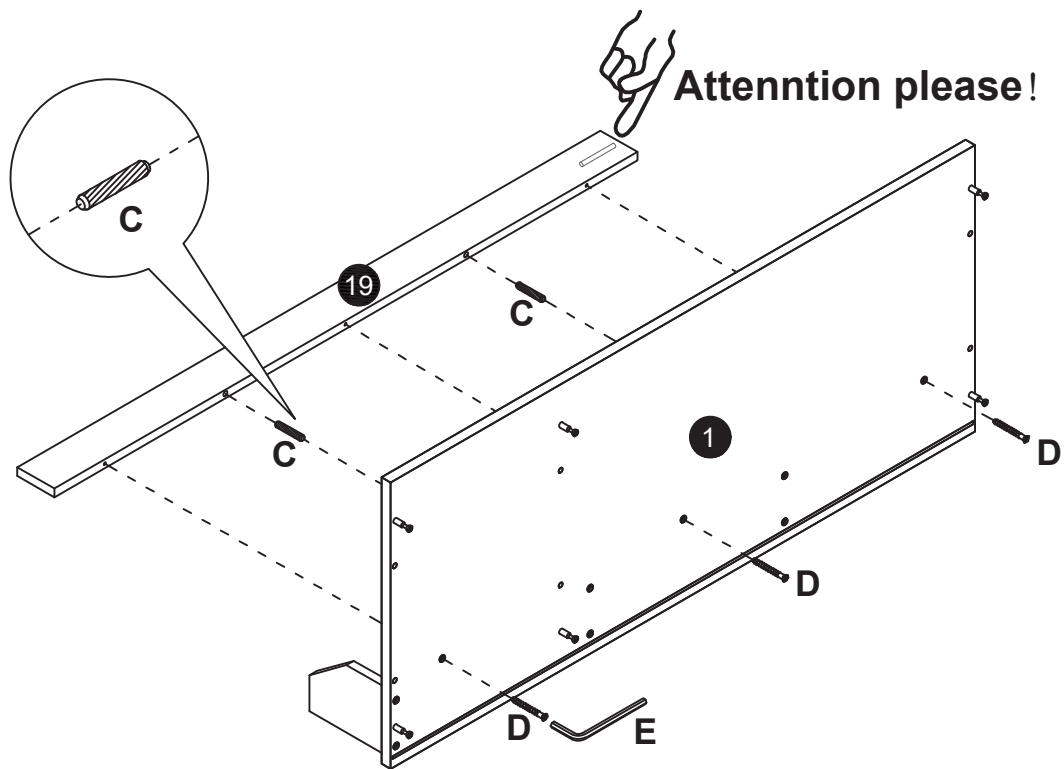
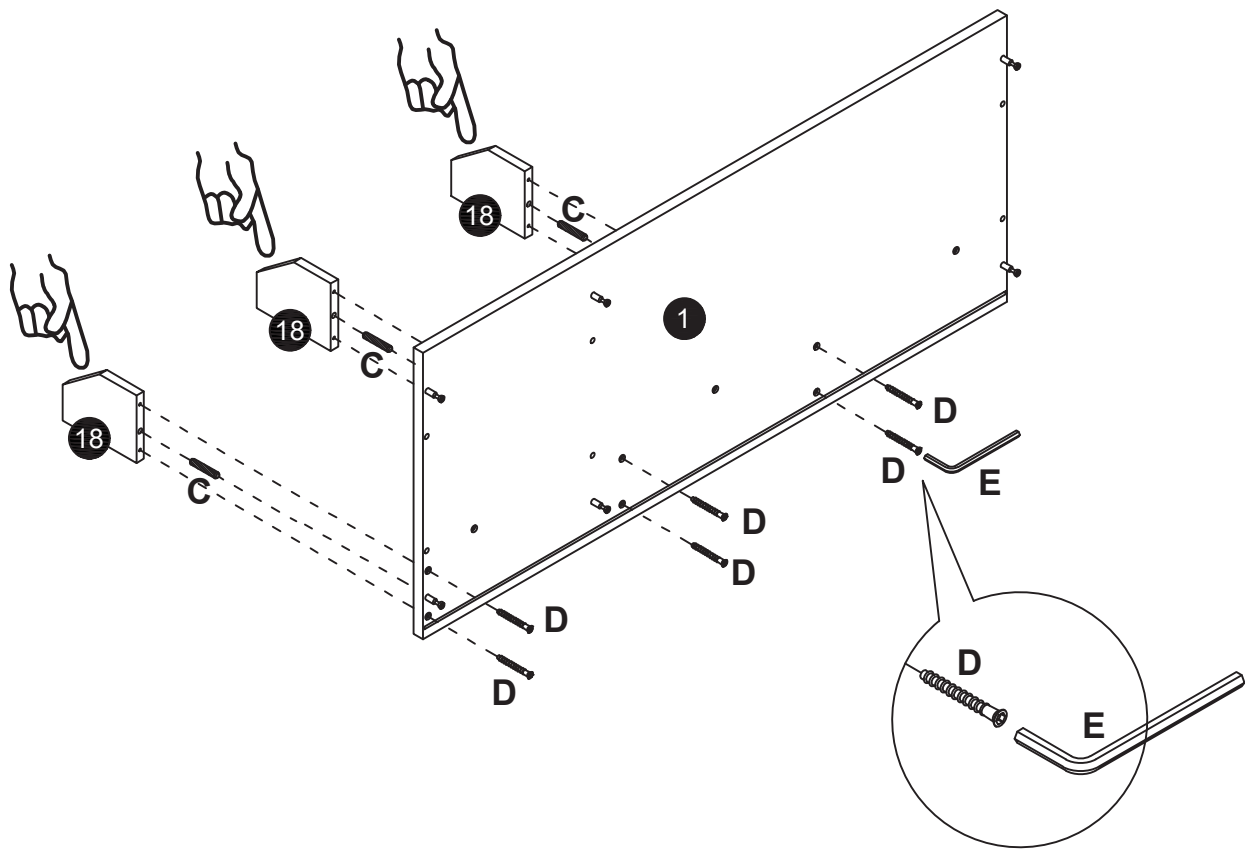
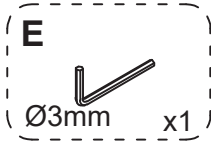
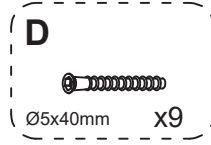
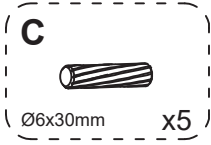




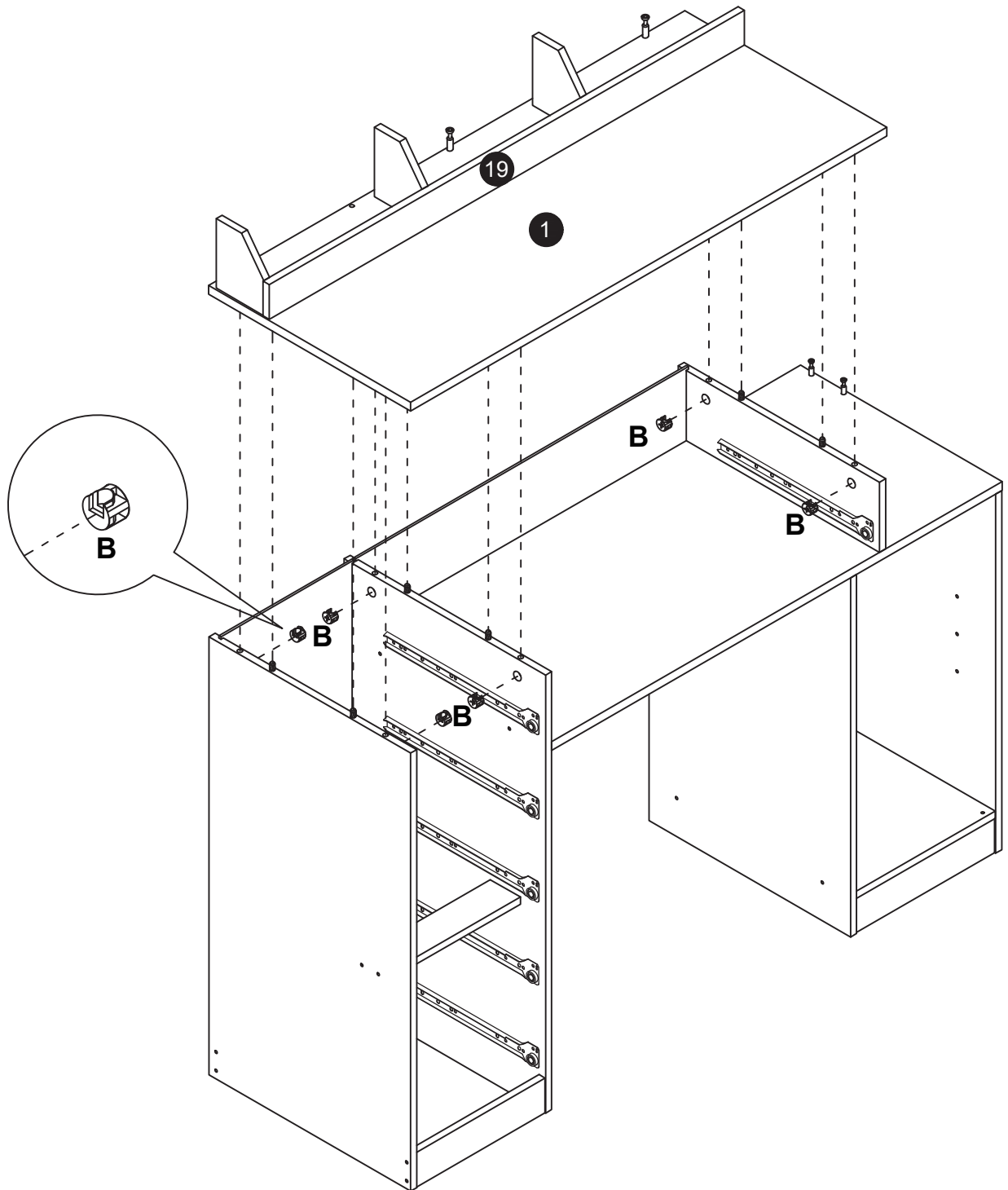


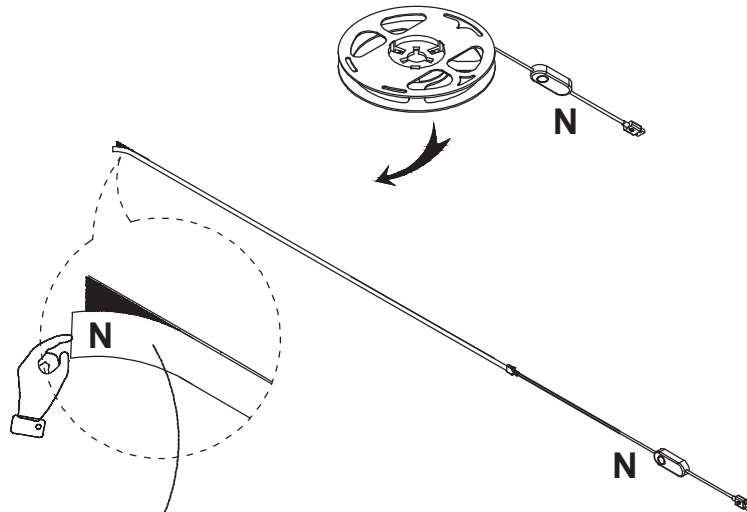
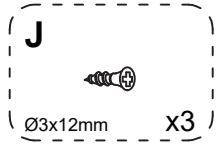
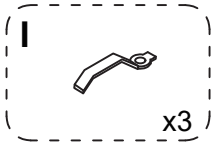
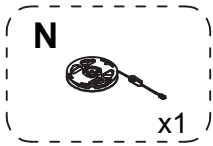




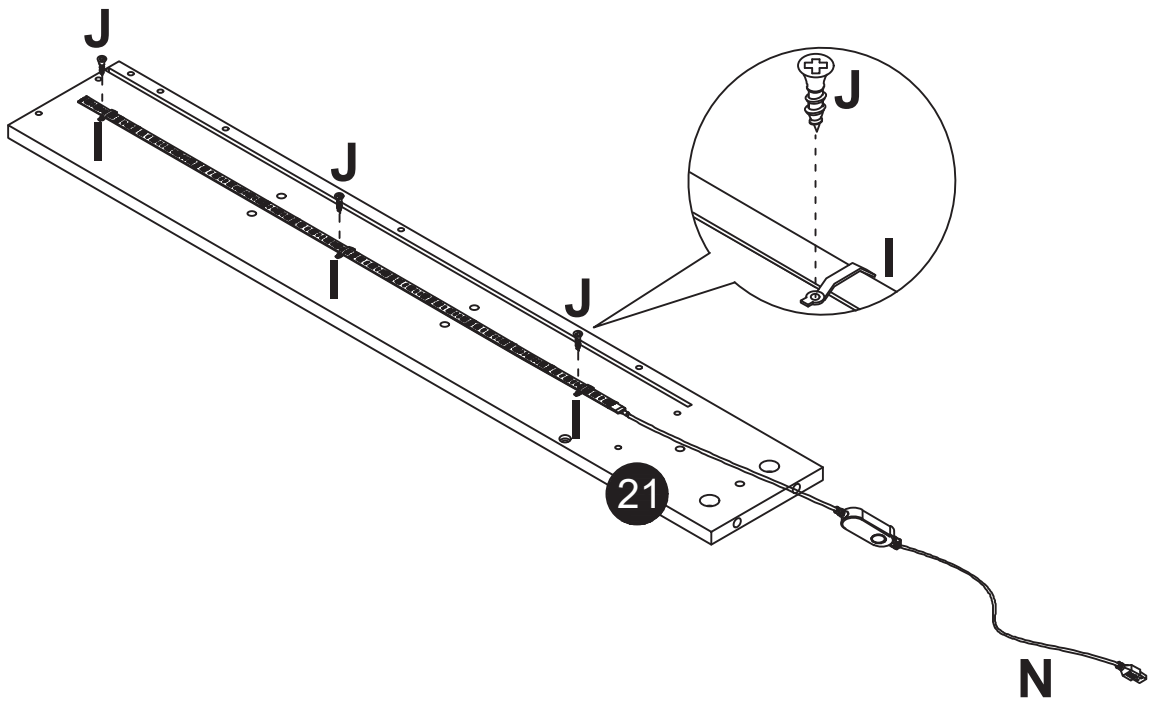


Note: At least two people are needed to complete this step to prevent the desktop from being damaged.

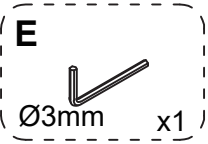
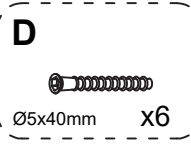




Tear off the back glue of the light strip

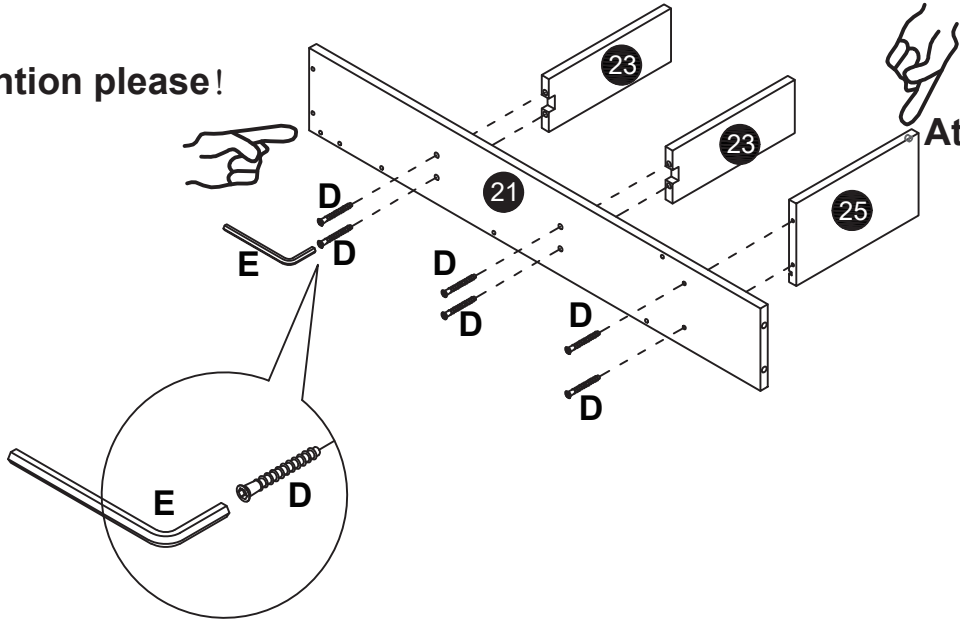


26

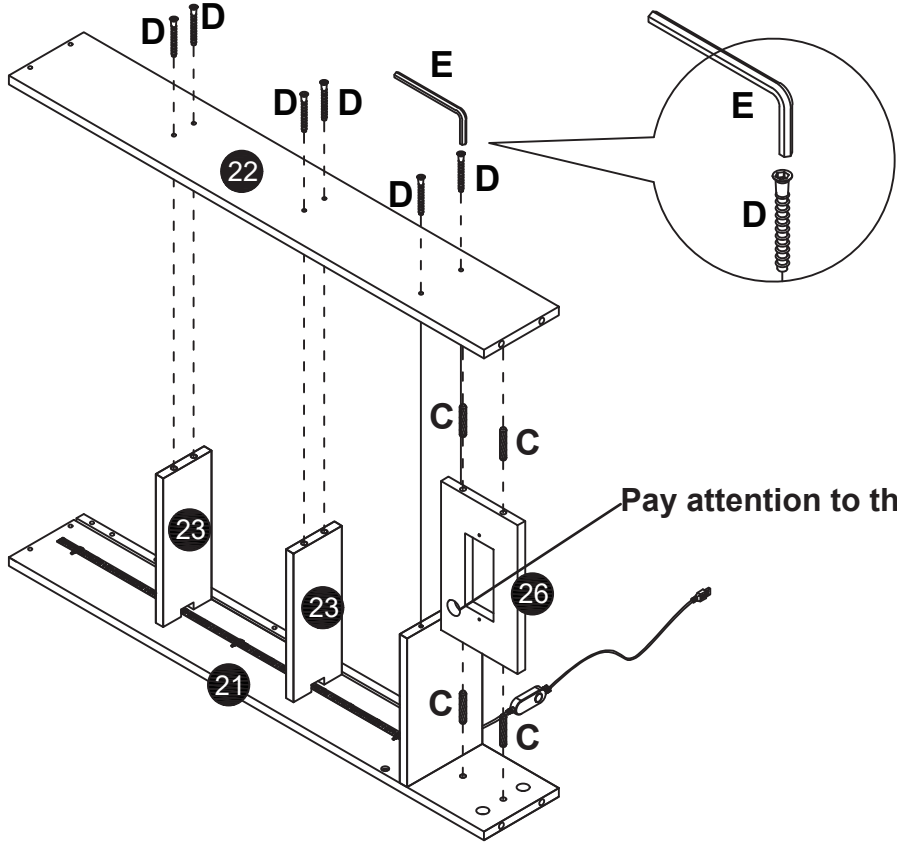
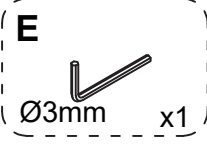
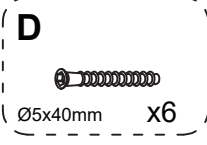
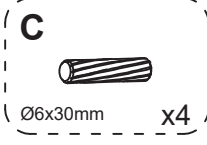


Attention please!

Attention please!

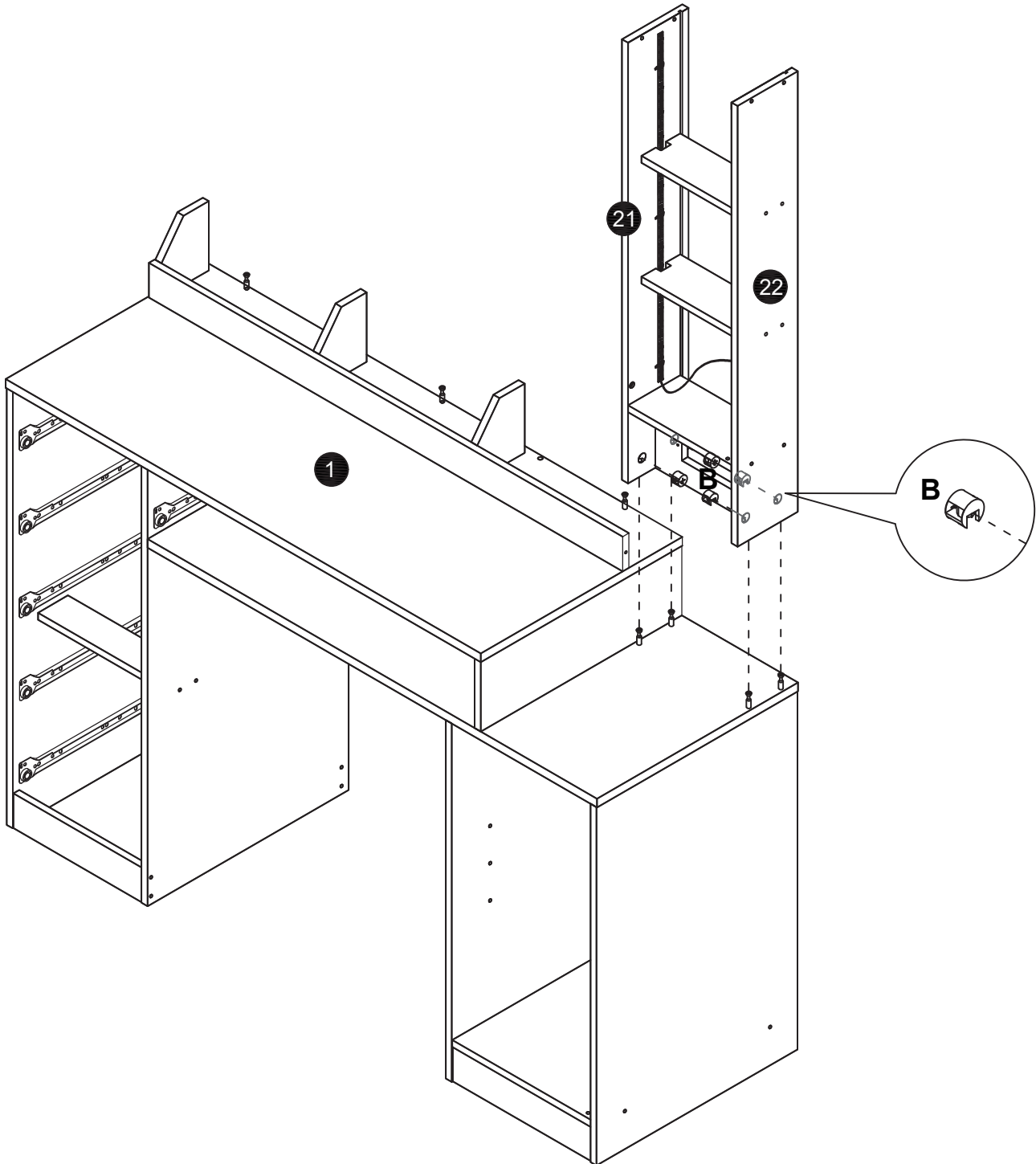


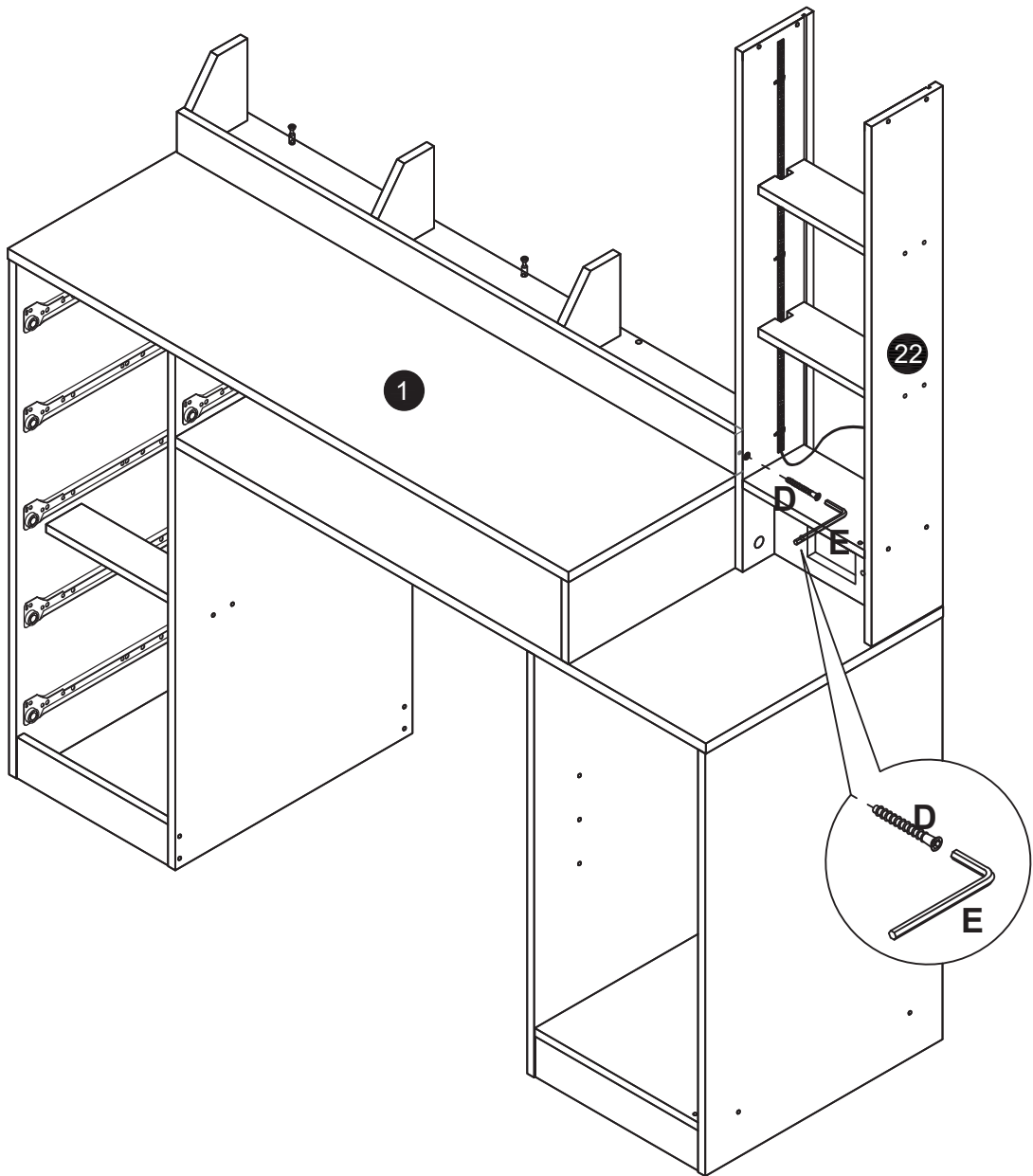
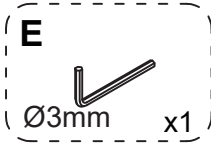
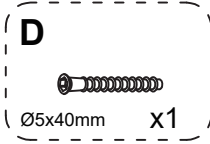
27

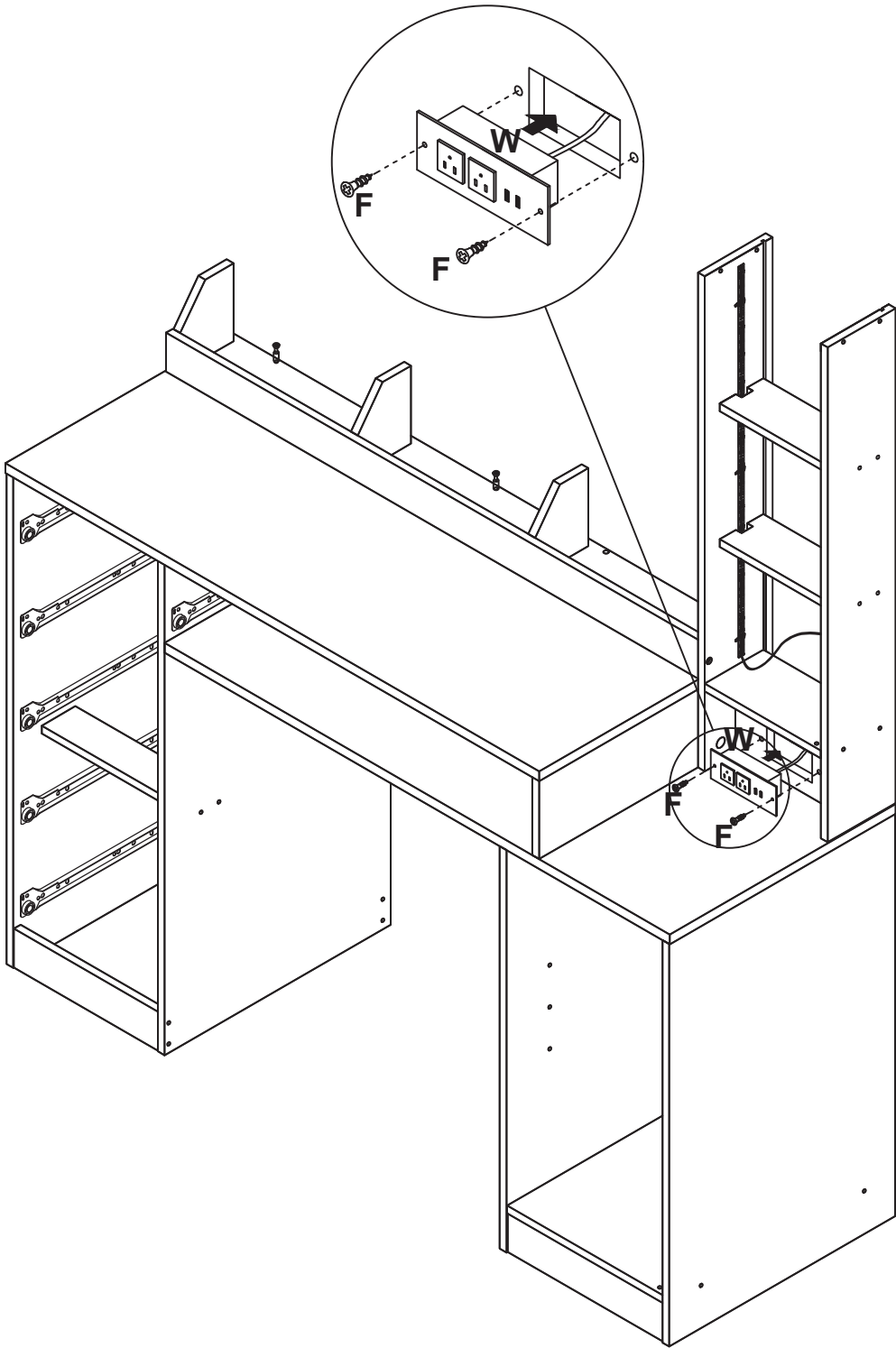
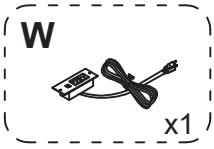
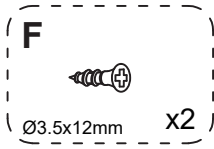


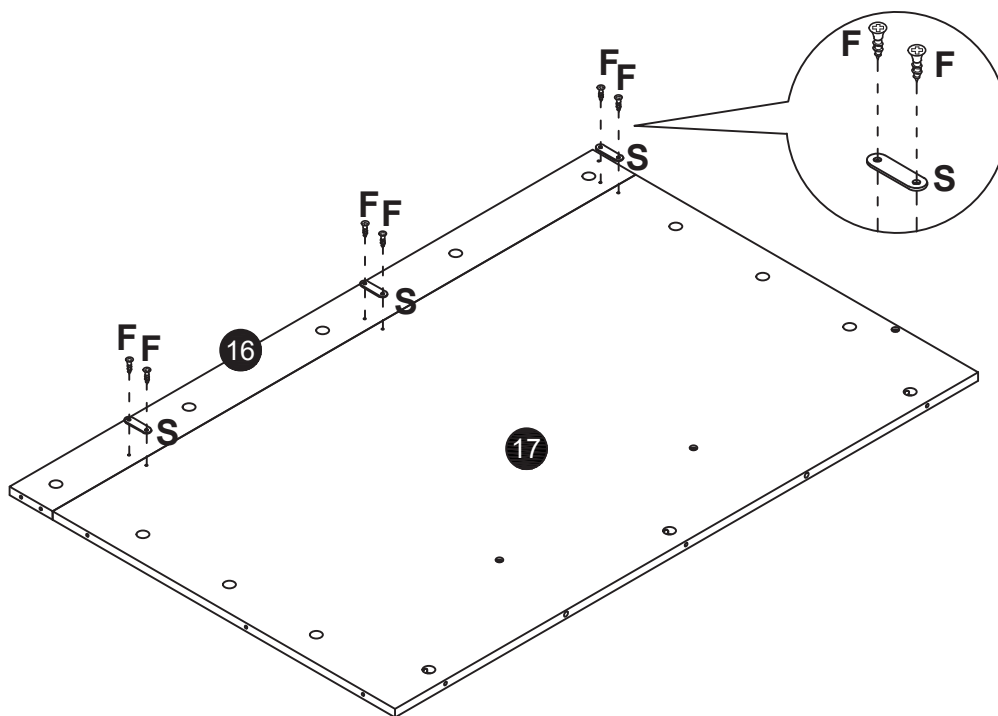
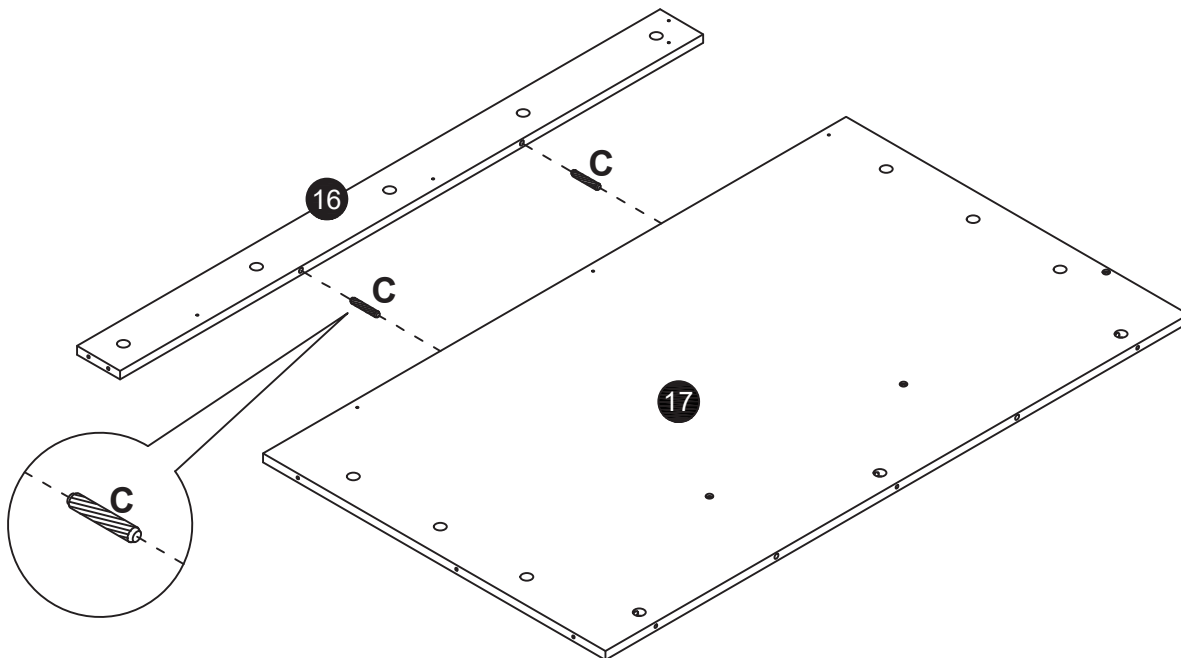
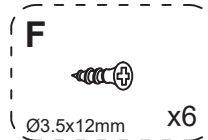
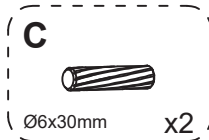
B

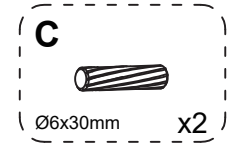
x4



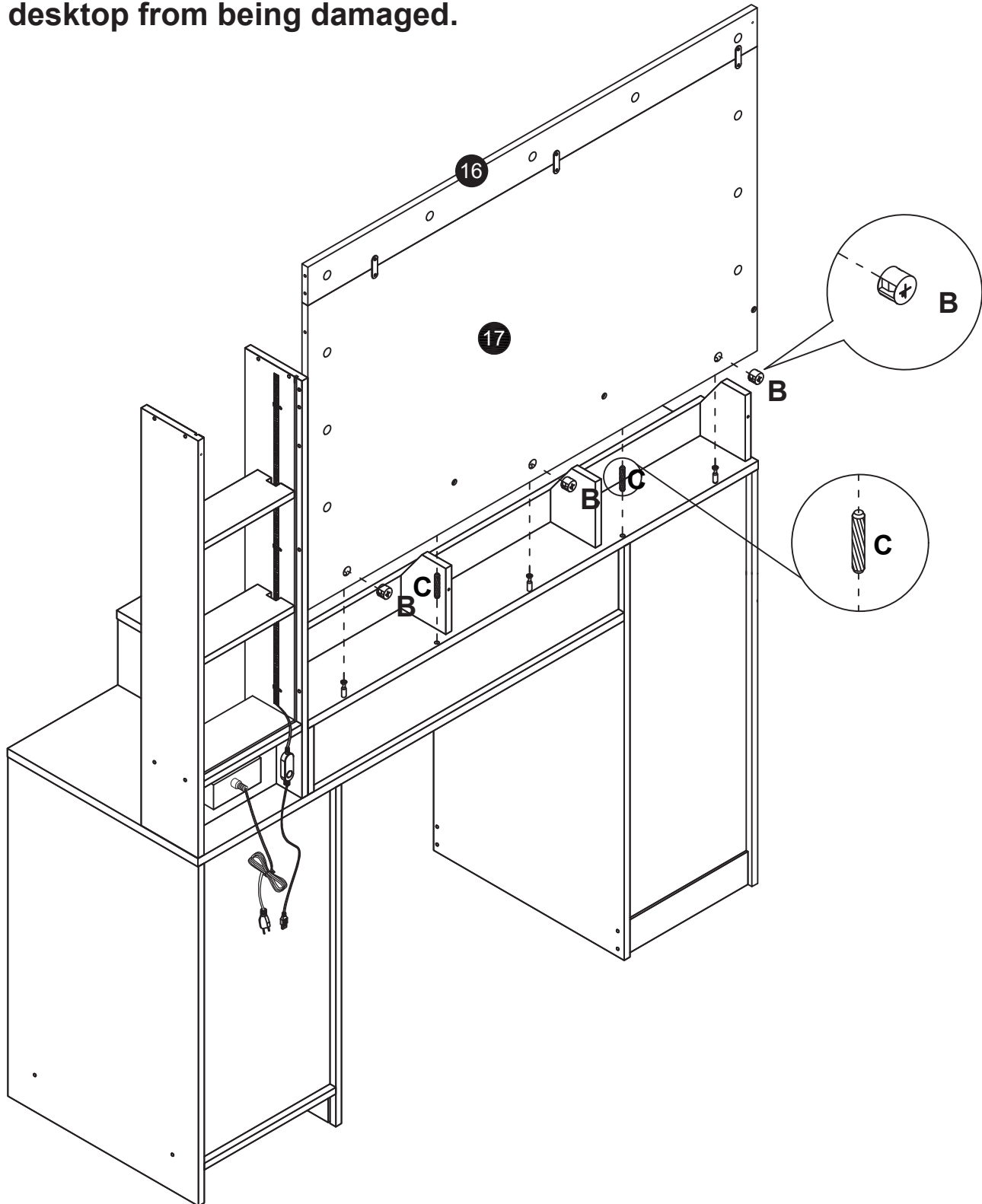


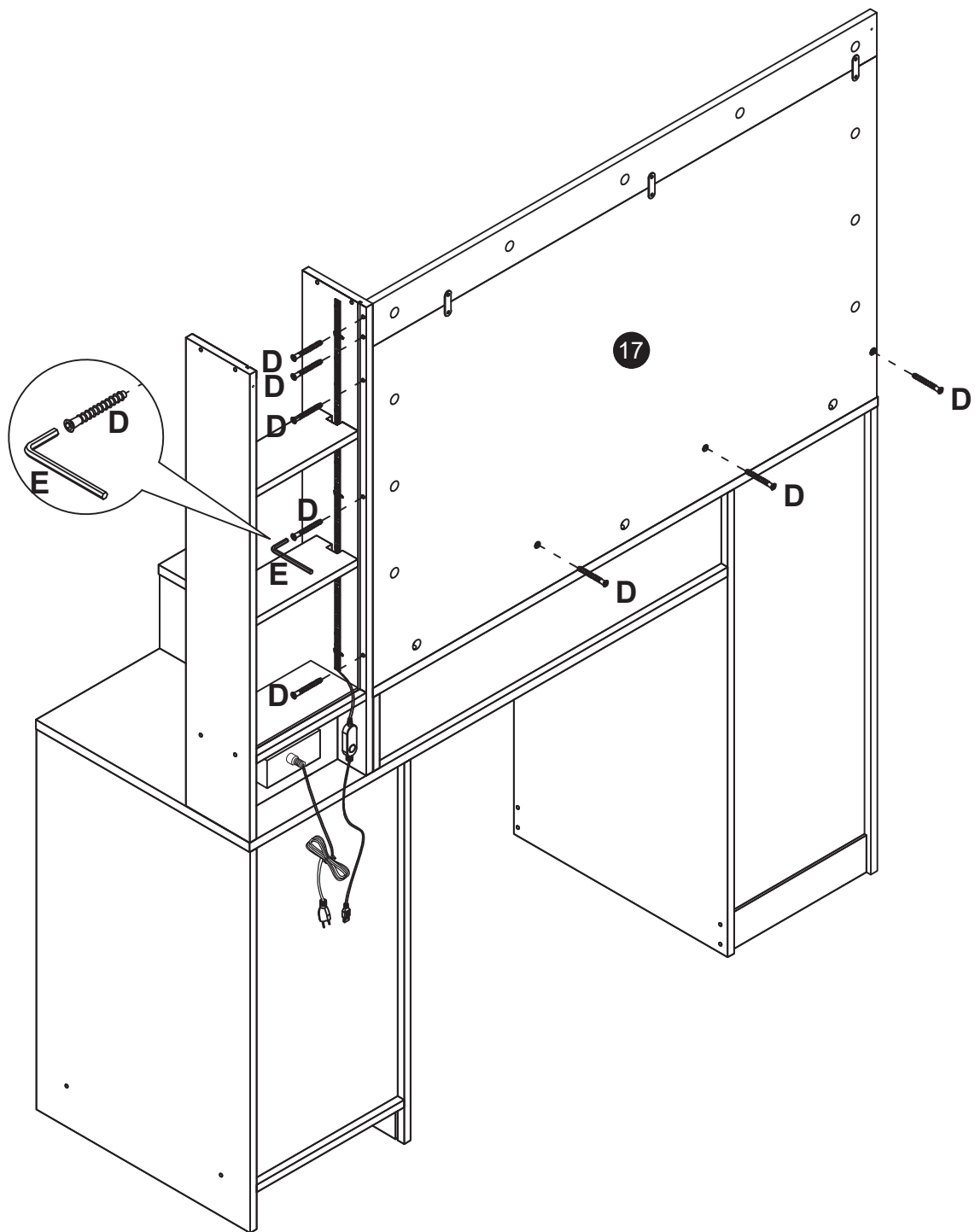
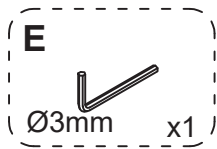
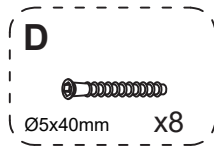


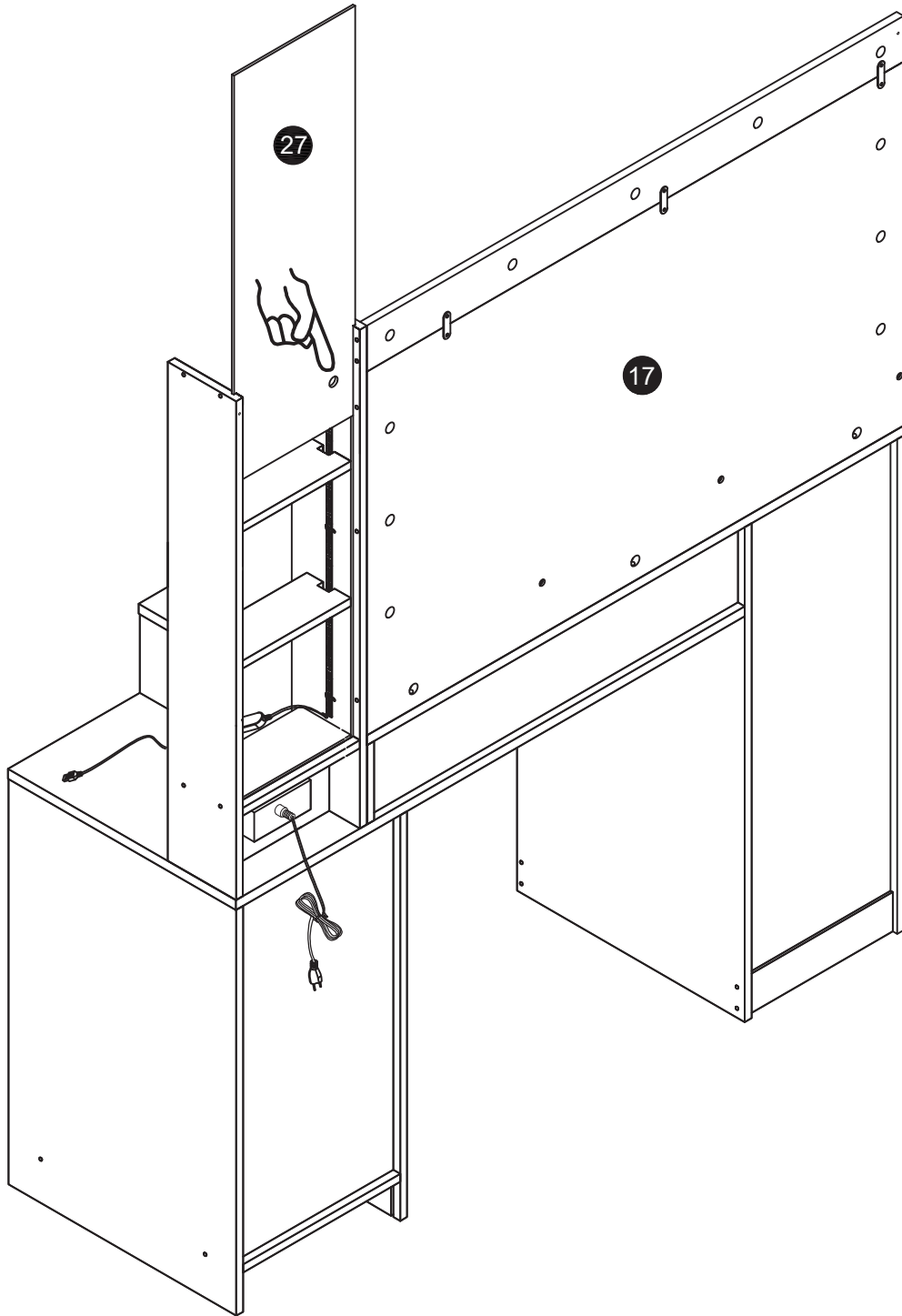


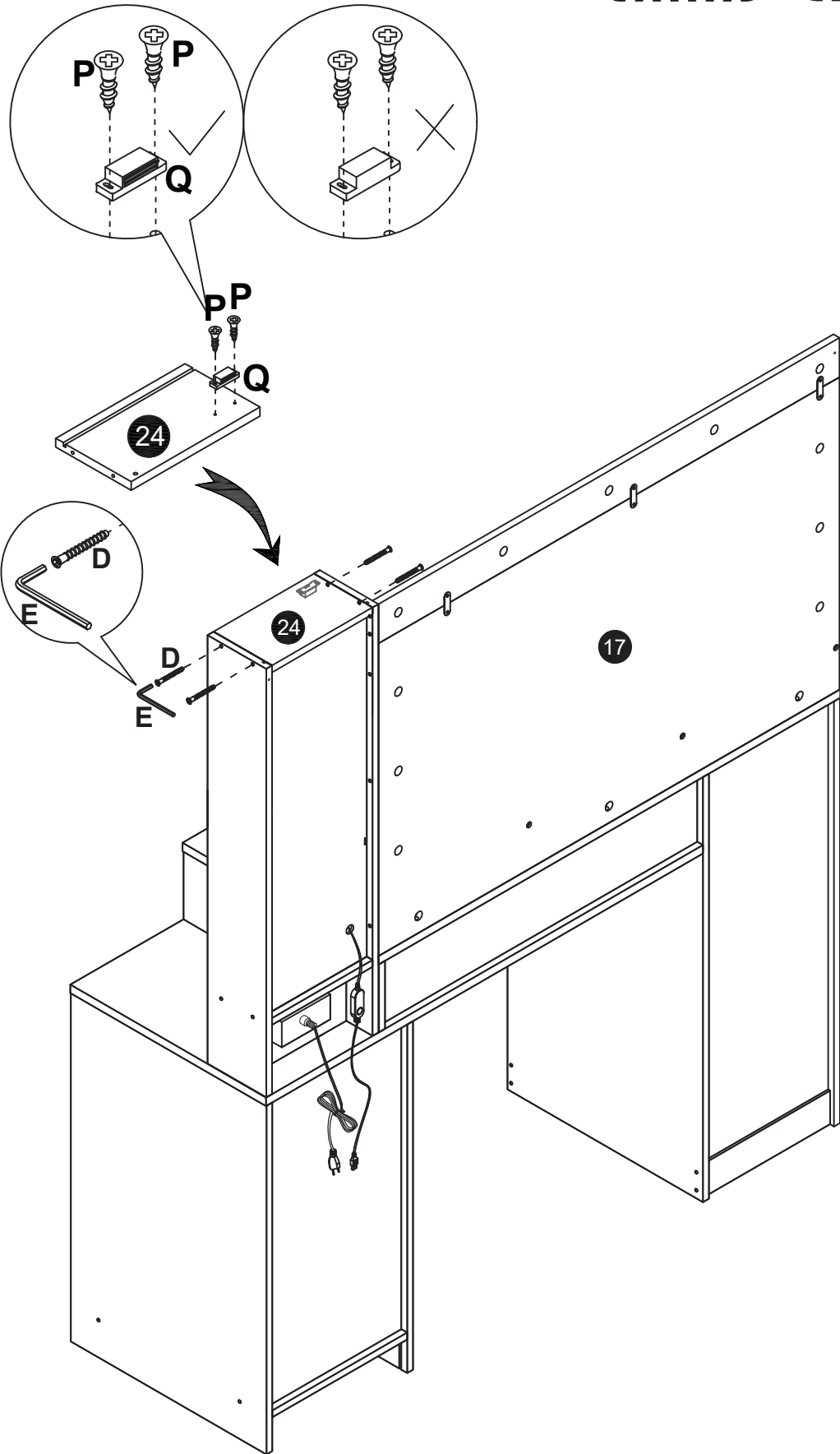
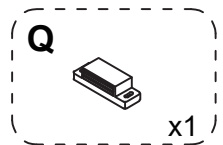
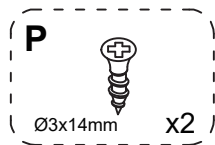
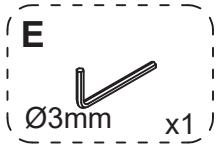
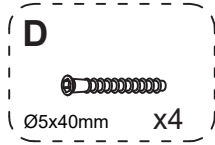


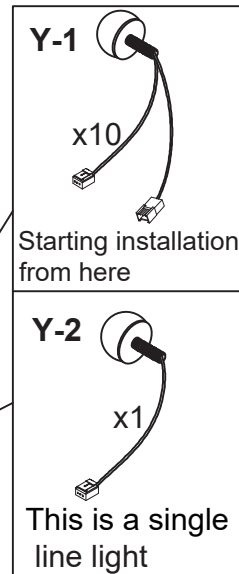
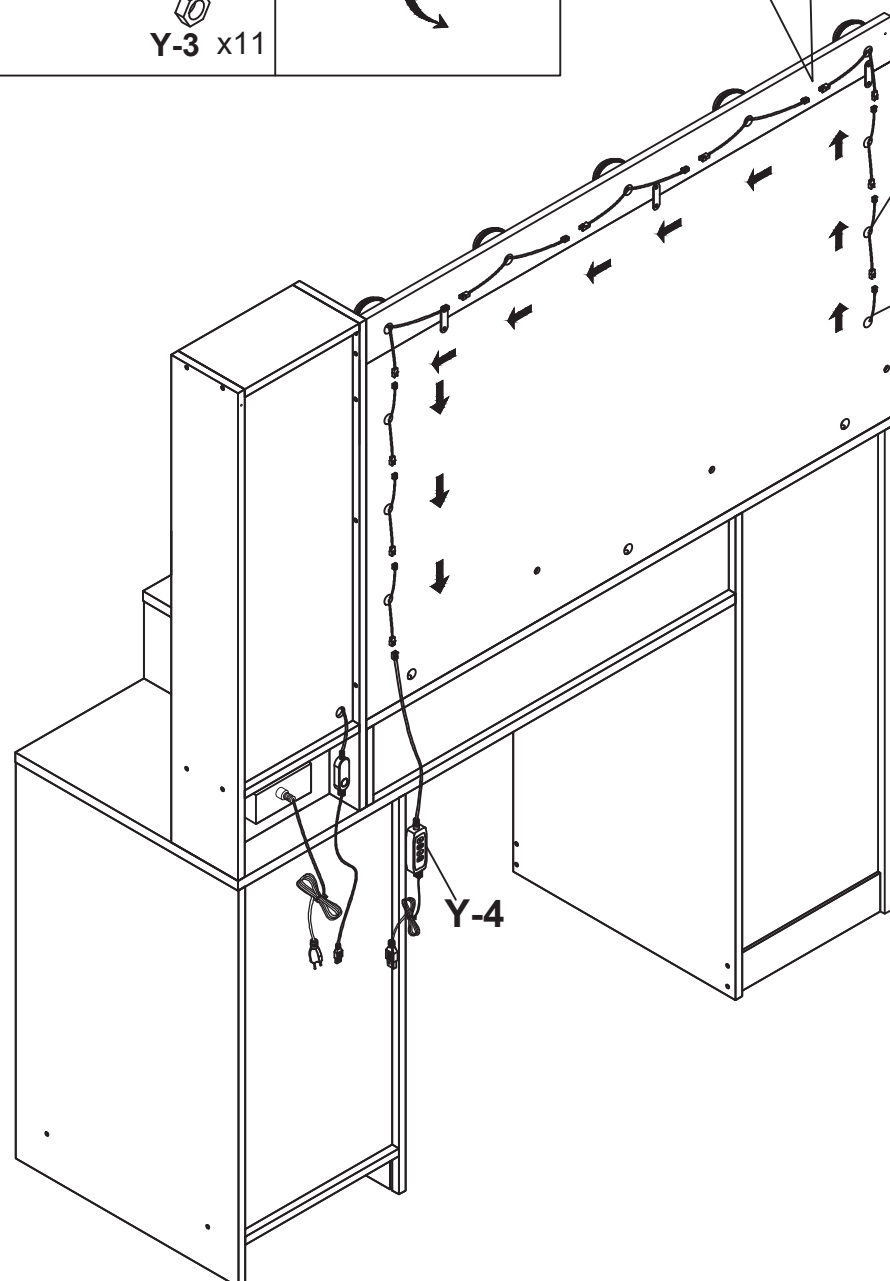
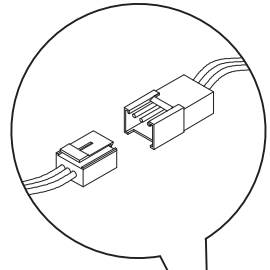
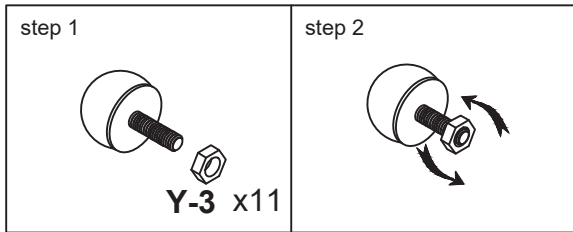
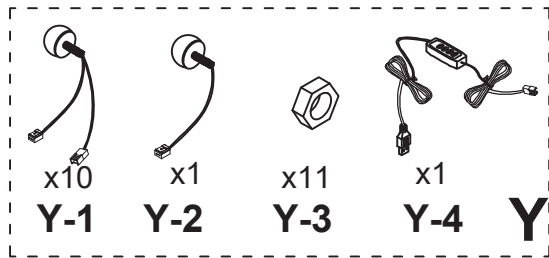
Note: At least two people are needed to complete this step to prevent the desktop from being damaged.

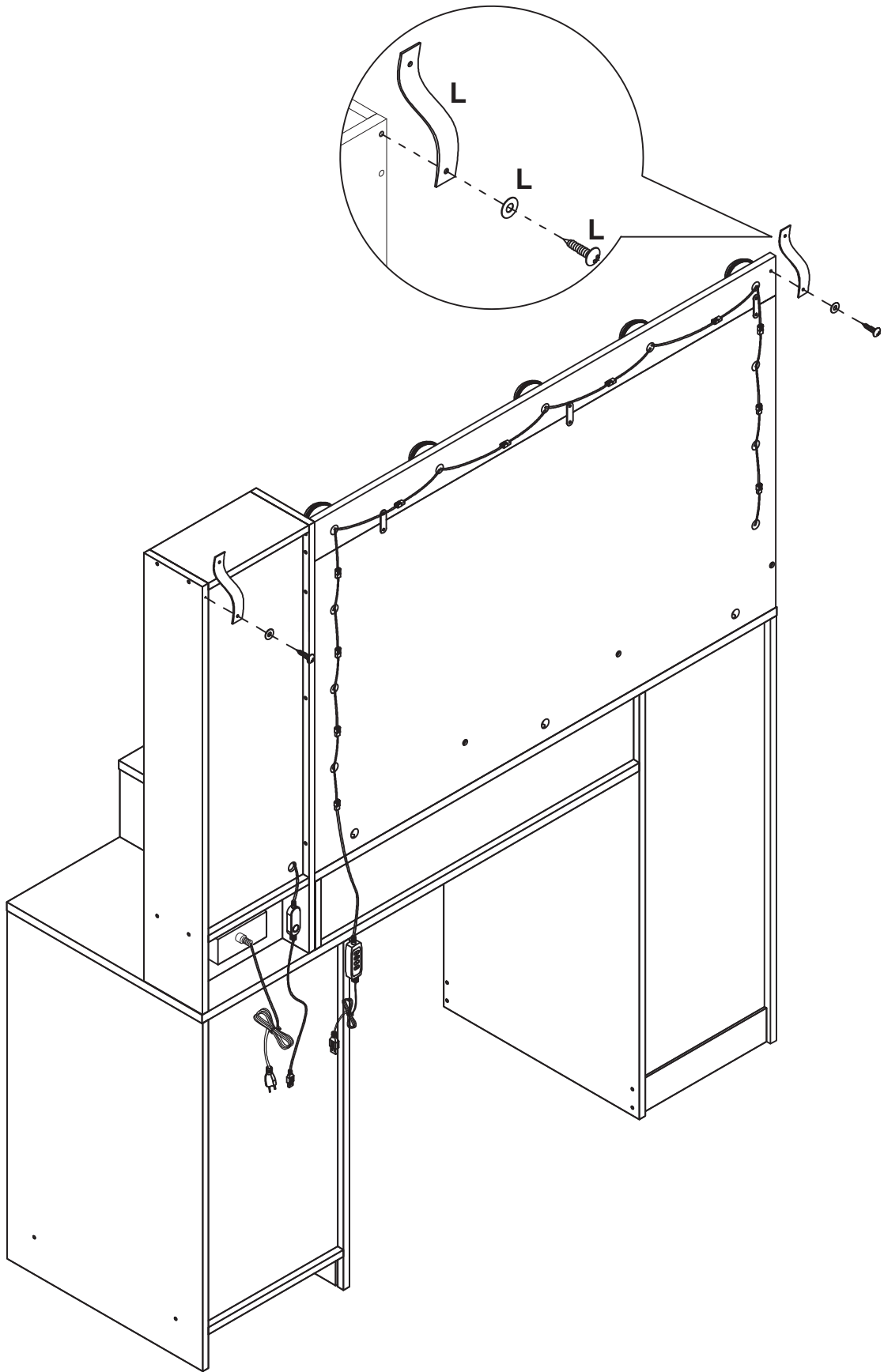
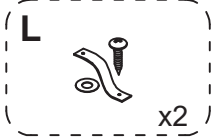


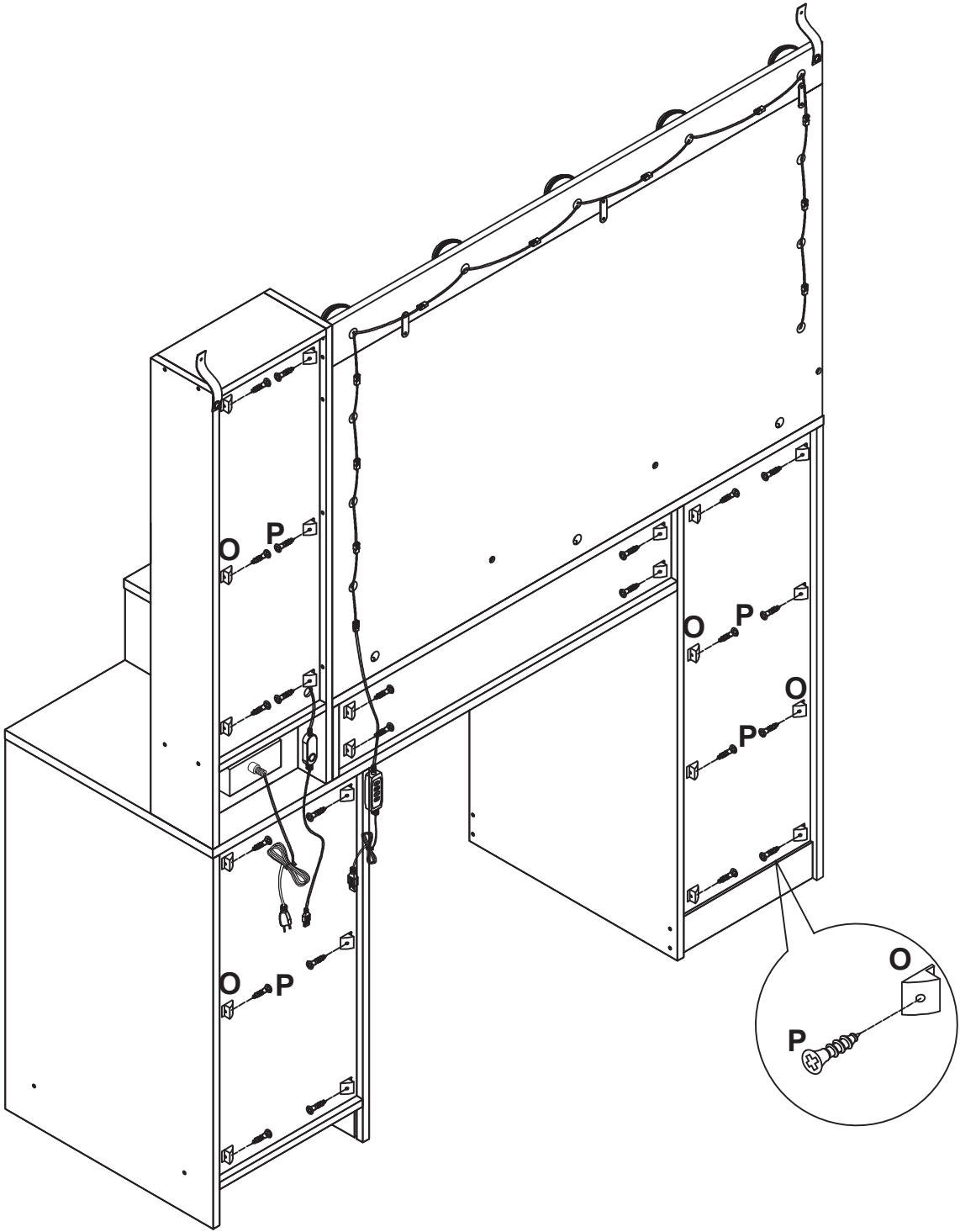
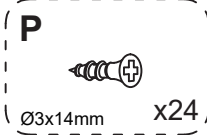
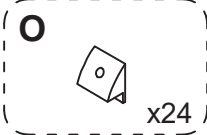


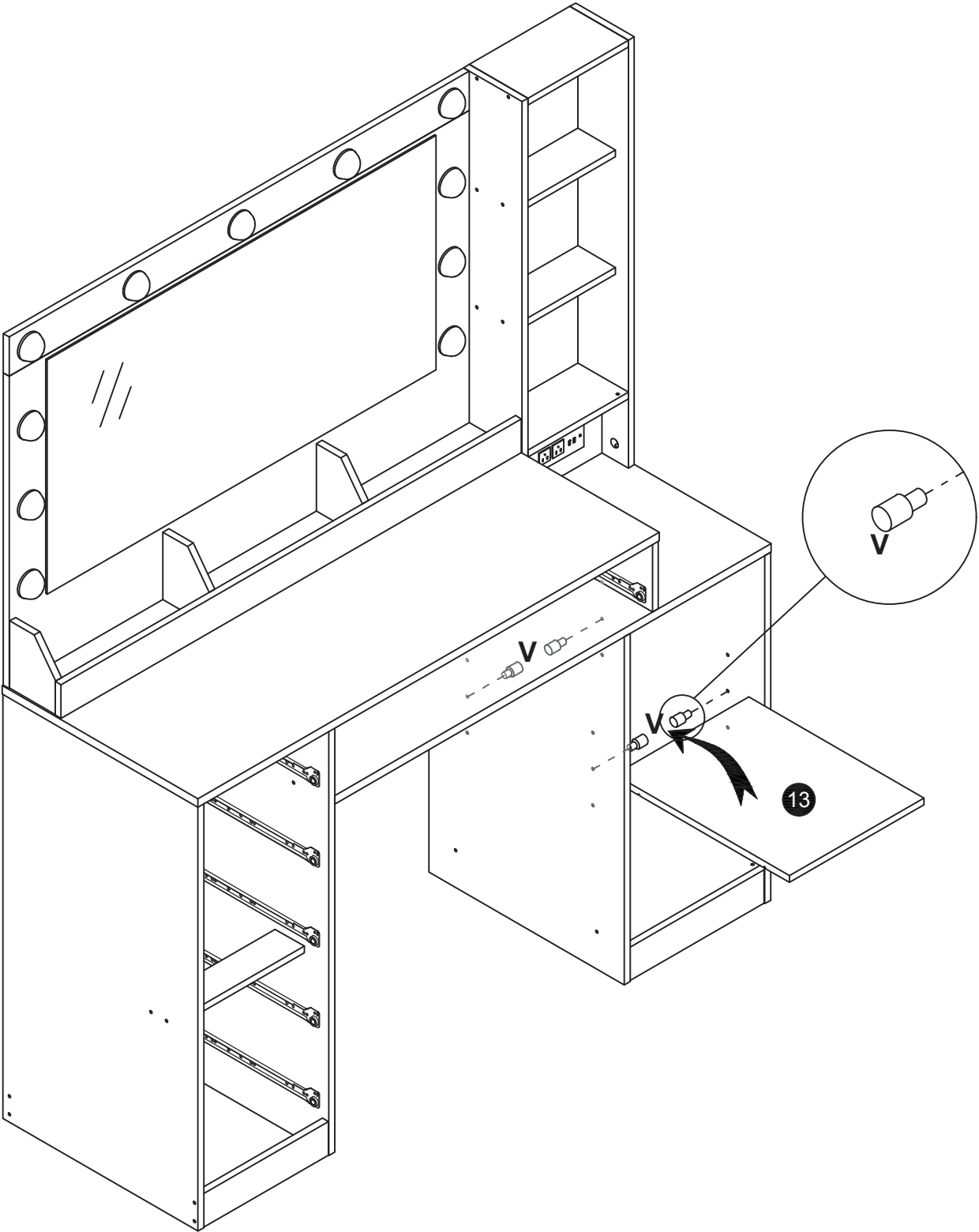
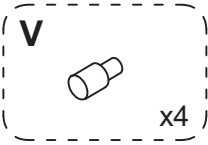


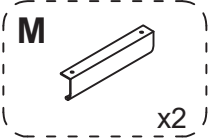
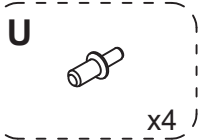
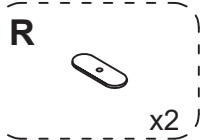
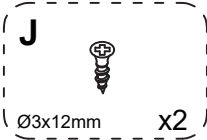
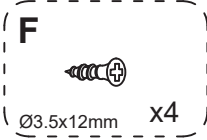




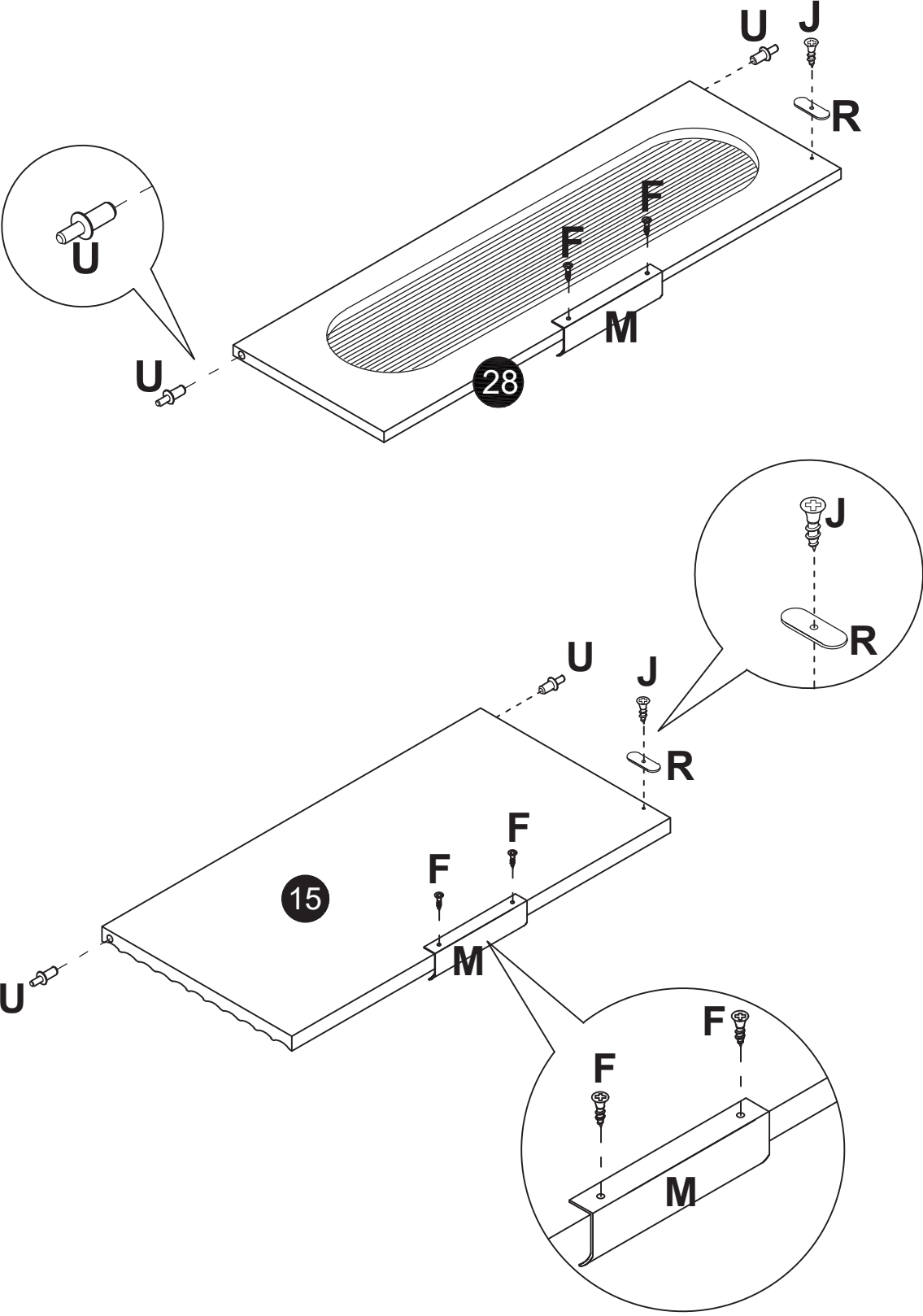


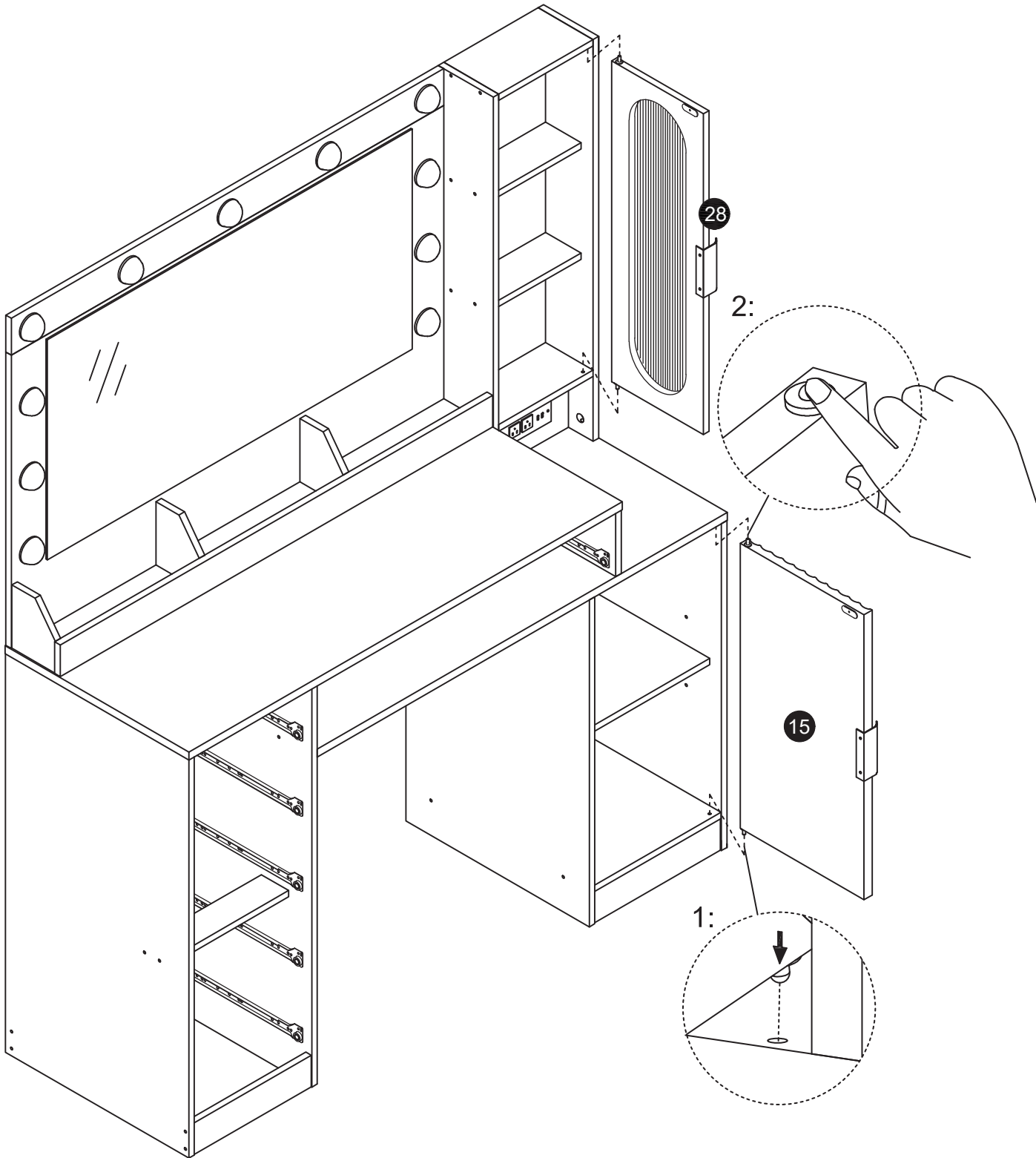


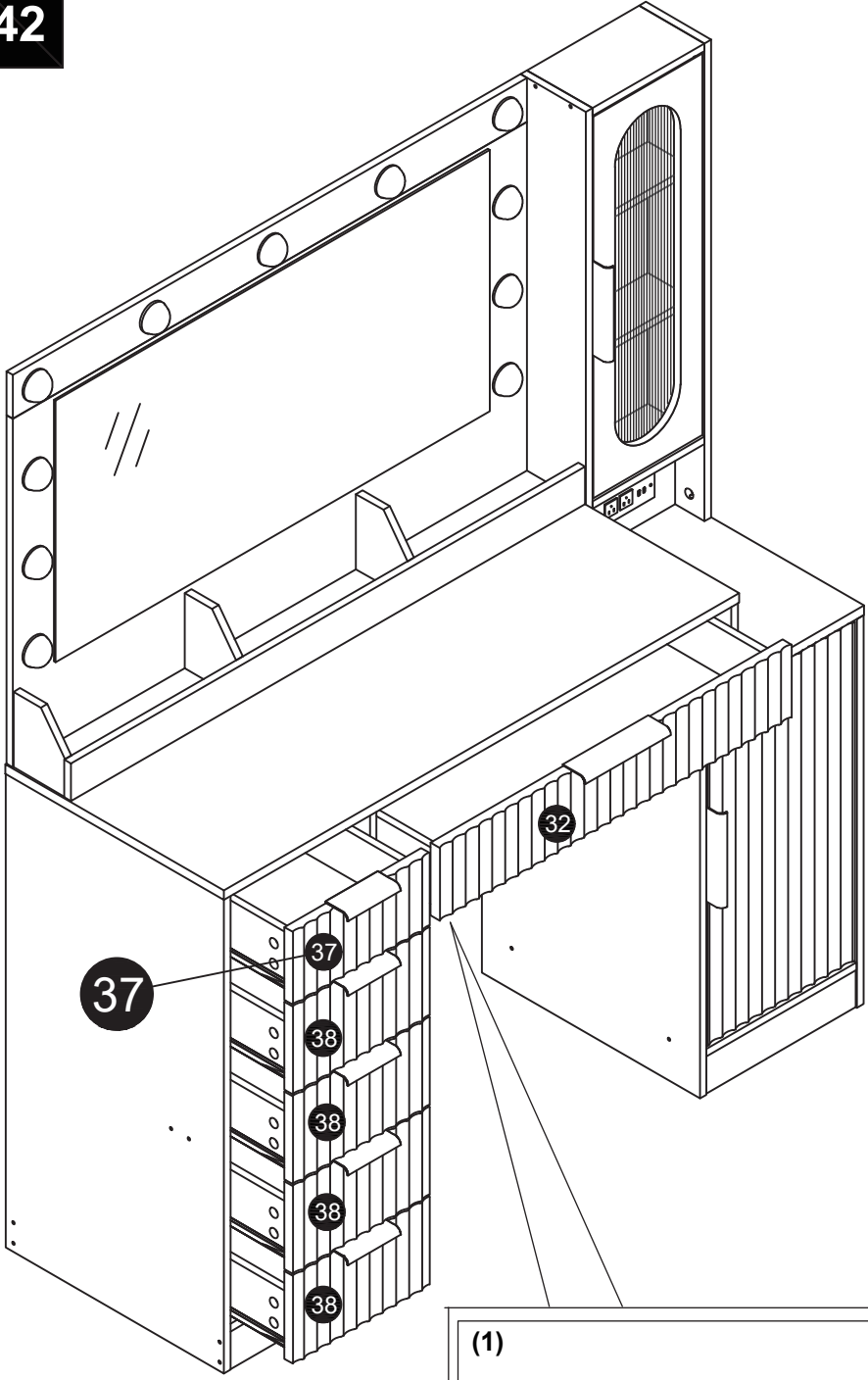




Note the use of screws F and J







x6

