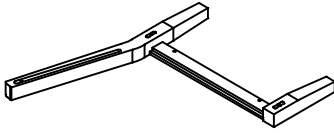


ASSEMBLY INSTRUCTIONS

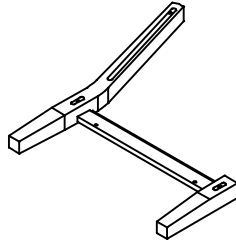
WOODEN EXTENSION CHAIR

A Right side frame



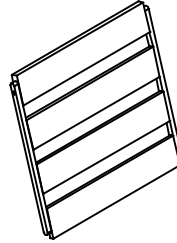
1pc

B Left side frame



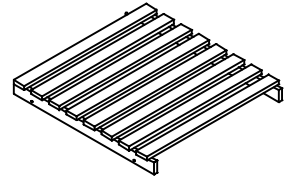
1pc

C Back Rest



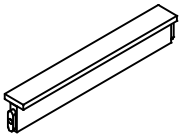
1pc

D Seat



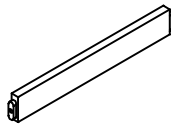
1pc

E Front apron



1pc

F Back apron



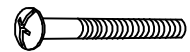
1pc

G 1 3/4" Bolt



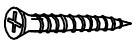
2pcs + 1pc reserve

H 2 1/4" Bolt



6pcs + 1pc reserve

I 1" Screw

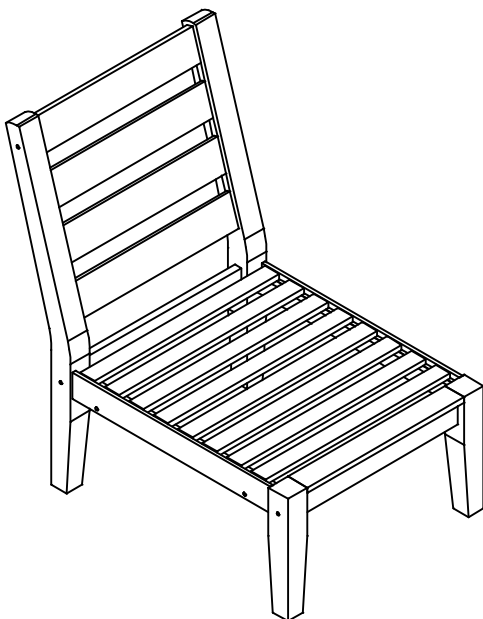


4pcs + 1pc reserve

J Wooden cap

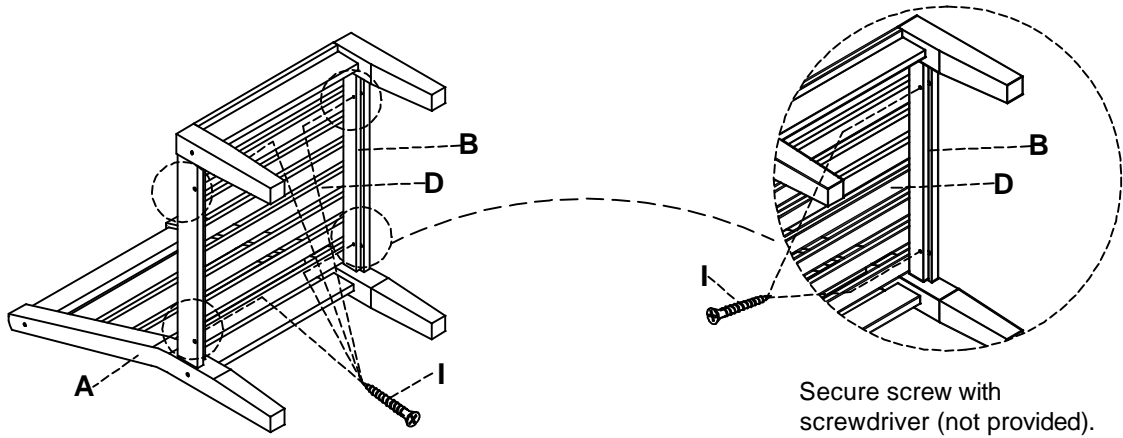


6pcs + 1pc reserve

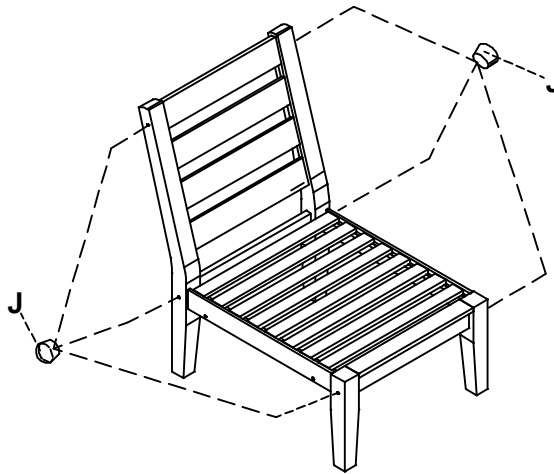


This page lists all the contents included in the box. Please take time to identify the hardware as well as the individual components to this product. As you unpack and prepare for assembly, place the contents on a carpeted or padded area to protect them from damage.

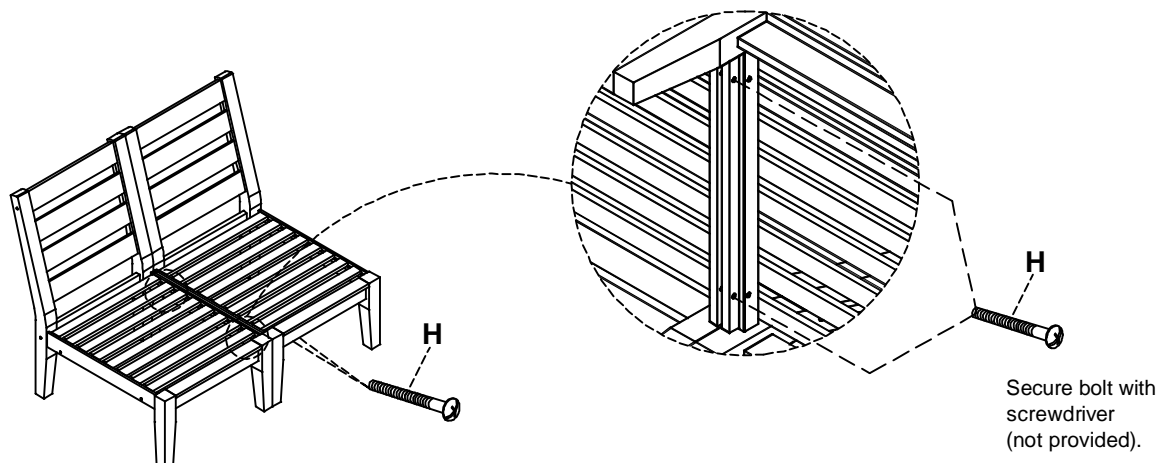
- 3** Secure the seat(D) and frame(A&B), using 1" screws(I), position as shown. Tighten all bolts and screws using screwdriver (not provided).



- 4** Tapping the wooden caps(J) to cover bolts using rubber mallet (not provided).The chair is now ready to use.



- 5** To joining the other chair, secure using 2 1/4" bolts(H) with screwdriver (not provided) from underneath of seat.



Cleaning & Care

Treat surface with care. Surface is resistant to scratches but is not scratch resistant. Clean surfaces with a dry or damp soft cloth. Do not use abrasive cleaners. Hardware may loosen over time. Periodically check that all connections are tight.