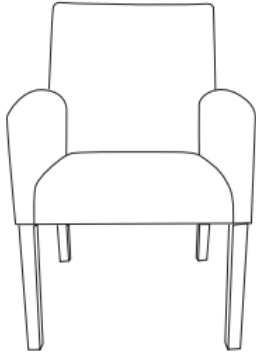


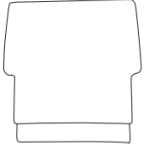
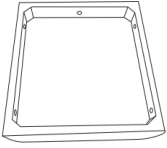

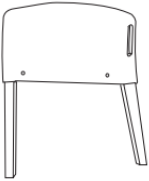
# Assembly Instructions

**Caution: You must read this before you proceed**


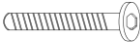

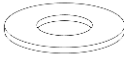

## Chair



## Part List

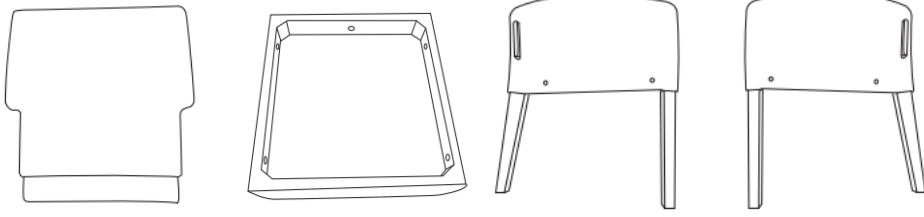
Label	Picture	Description	QTY
A		Back	1
B		Seat	1
C		Right Armrest	1
D		Left Armrest	1






## Hardware

Label	Picture	Description	QTY
①		Bolt (M8*50mm)	5
②		Bolt (M8*40mm)	2
③		Spring Washer	6
④		Washer	6
⑤		Allen Key	1

## Assembly Preparation

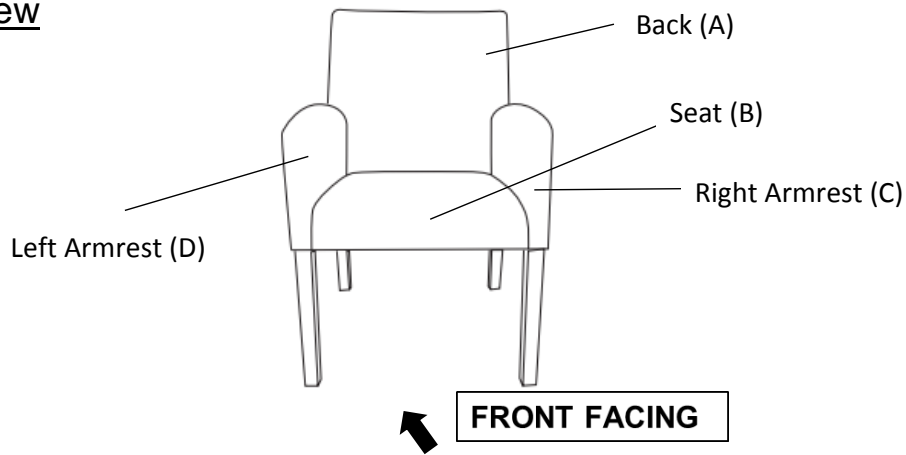
Before Beginning Assembly:  
Unpack and place all parts for clear visibility



-  • Read instructions, cover to cover-
-  • Have 2 adults on hand for assembly-
-  • Do not assemble on flooring or carpet-
-  • Assemble on a clean non-marring surface (packing foam)-
-  • Save all packaging until finished-

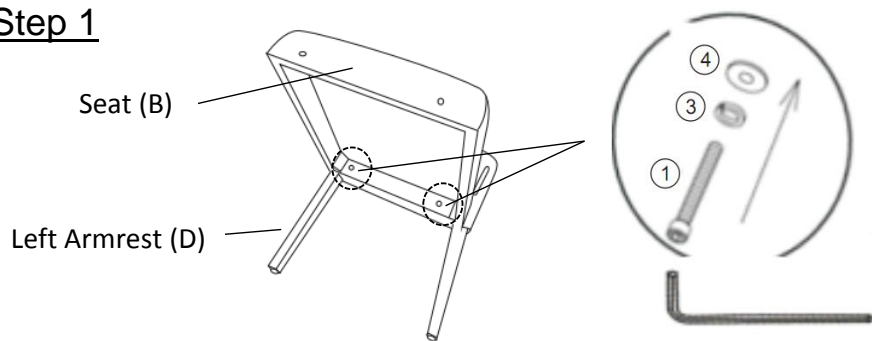
## Assembly Steps

### Overview



This Chair has multiple parts and may require up to 30 minutes to assemble. To give you an overview of the Chair parts, the above picture is to help you put the various parts into perspective. Please read through the instructions below to familiarise yourself with the parts and steps before assembly.

### Step 1

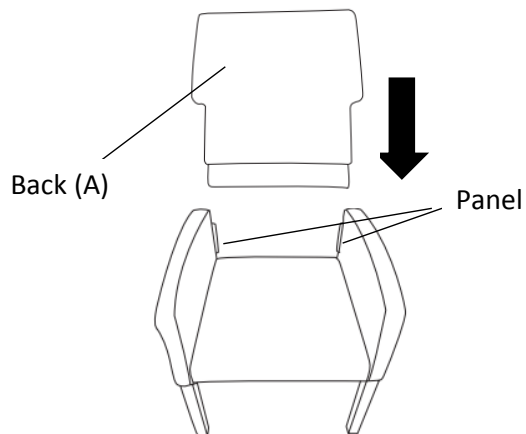


Put the Left Armrest(D) onto a flat table or panel.  
Attach Seat(B) to Left Armrest(D) using Bolts(1), Spring Washers(3), and Washers(4) with Allen Key(5).

**Do not fully tighten the Bolts.**

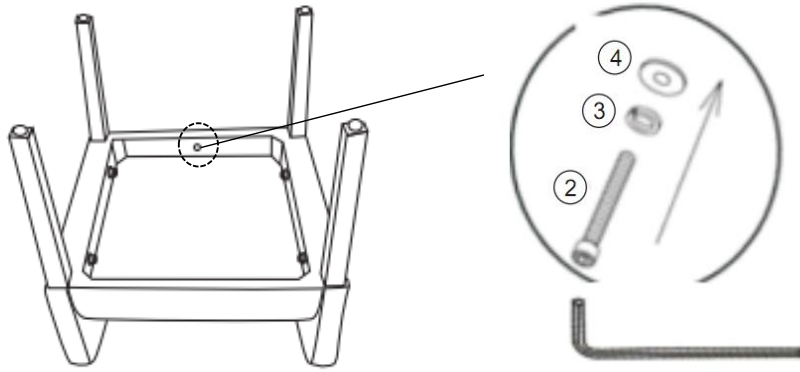
Repeat the same process with the Right Armrest(C).

### Step 2



Insert the Back(A) along the Armrest's panels as pictured.

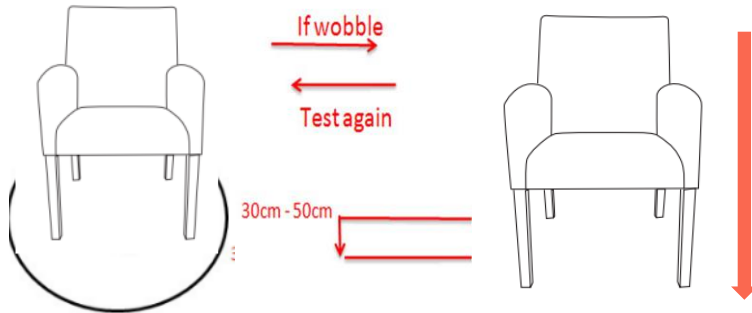
### Step 3



Attach Seat(B) to Back(A) using Bolt(②), Spring Washer(③), and Washer(④) with the Allen Key(⑤)

**Do not fully tighten the Bolt.**

### Step 4



Place the Chair on a LEVEL SURFACE to see if it wobbles.

If it wobbles, lift the Chair some 30cm to 50cm high from the ground.

Keep your feet and toes well away from the drop zone.

Drop the Chair freely and vertically with the four legs, hitting the ground, at the same time.

This Drop Test will help to ensure that all the Bolts, and gaps reach full alignment status.

Test again for evenness on a LEVEL SURFACE.

If no wobbles found, proceed to tighten all Bolts.

When tightening these Bolts, tighten sequentially.

**DO NOT tighten any Bolt fully and then move on towards the next one.**

**This could cause the frame to warp.**

**If there are still wobbles, loosen the Bolts and execute this same drop test.**

Your Chair is ready for use.

**This Chair can only be used on a flat, level surface.**

## Care & Maintenance

-  ● Do not put hot items directly on furniture surface.
  -  ● Do not clean furniture with harsh cleansers or polish.
  -  ● Do not place furniture under direct sunlight.
  -  ● Do not place furniture near heating or cooling vents.
  -  ● Do not write on furniture without a padded barrier to protect the surface.
  -  ● Do not place furniture outside. For indoor use only.
  -  ● Not for commercial use. For residential use only.
  -  ● Stains may be removed with mild soap solution and damp cloth.
  -  ● Children should not climb or jump on the furniture.
- 
-  ● Dust and pick-up spills using a clean, non-colored, lint-free cloth.

## Questions & Answers about Proposition 65

- What is Proposition 65?

Proposition 65 requires businesses to provide warnings to Californians about significant exposures to chemicals that cause cancer, birth defects or other reproductive harm. These chemicals can be in the products that Californians purchase, in their homes or workplaces, or that are released into the environment. By requiring that this information be provided, Proposition 65 enables Californians to make informed decisions about their exposures to these chemicals.

Proposition 65 also prohibits California businesses from knowingly discharging significant amounts of listed chemicals into sources of drinking water.

Proposition 65 requires California to publish a list of chemicals known to cause cancer, birth defects or other reproductive harm. This list, which must be updated at least once a year, has grown to include approximately 900 chemicals since it was first published in 1987.

- What types of chemicals are on the Proposition 65 list?

The list contains a wide range of naturally occurring and synthetic chemicals that include additives or ingredients in pesticides, common household products, food, drugs, dyes, or solvents. Listed chemicals may also be used in manufacturing and construction, or they may be byproducts of chemical processes, such as motor vehicle exhaust.

- What does a warning mean?

If a warning is placed on a product [label] or posted or distributed at a workplace, a business, or in rental housing, the business issuing the warning is aware or believes that it is exposing individuals to one or more listed chemicals.

By law, a warning must be given for listed chemicals unless the exposure is low enough to pose no significant risk of cancer or is significantly below levels observed to cause birth defects or other reproductive harm.

- Where can I get more information on Proposition 65?

If you have specific questions on the administration or implementation of Proposition 65, you can contact OEHHA's Proposition 65 program at [P65.Questions@oehha.ca.gov](mailto:P65.Questions@oehha.ca.gov), or by phone at (916) 445-6900.