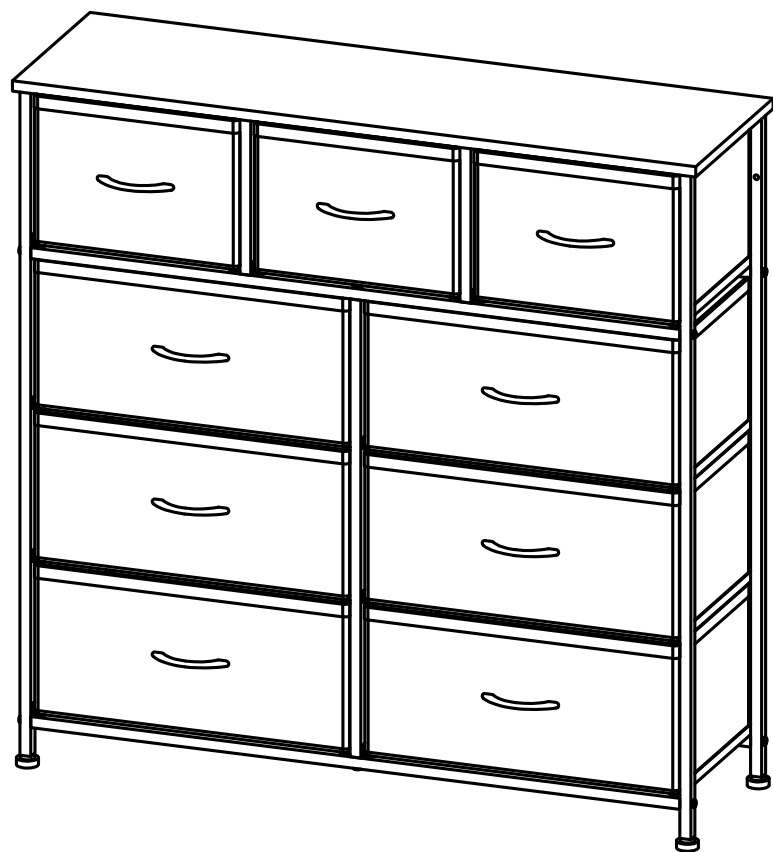
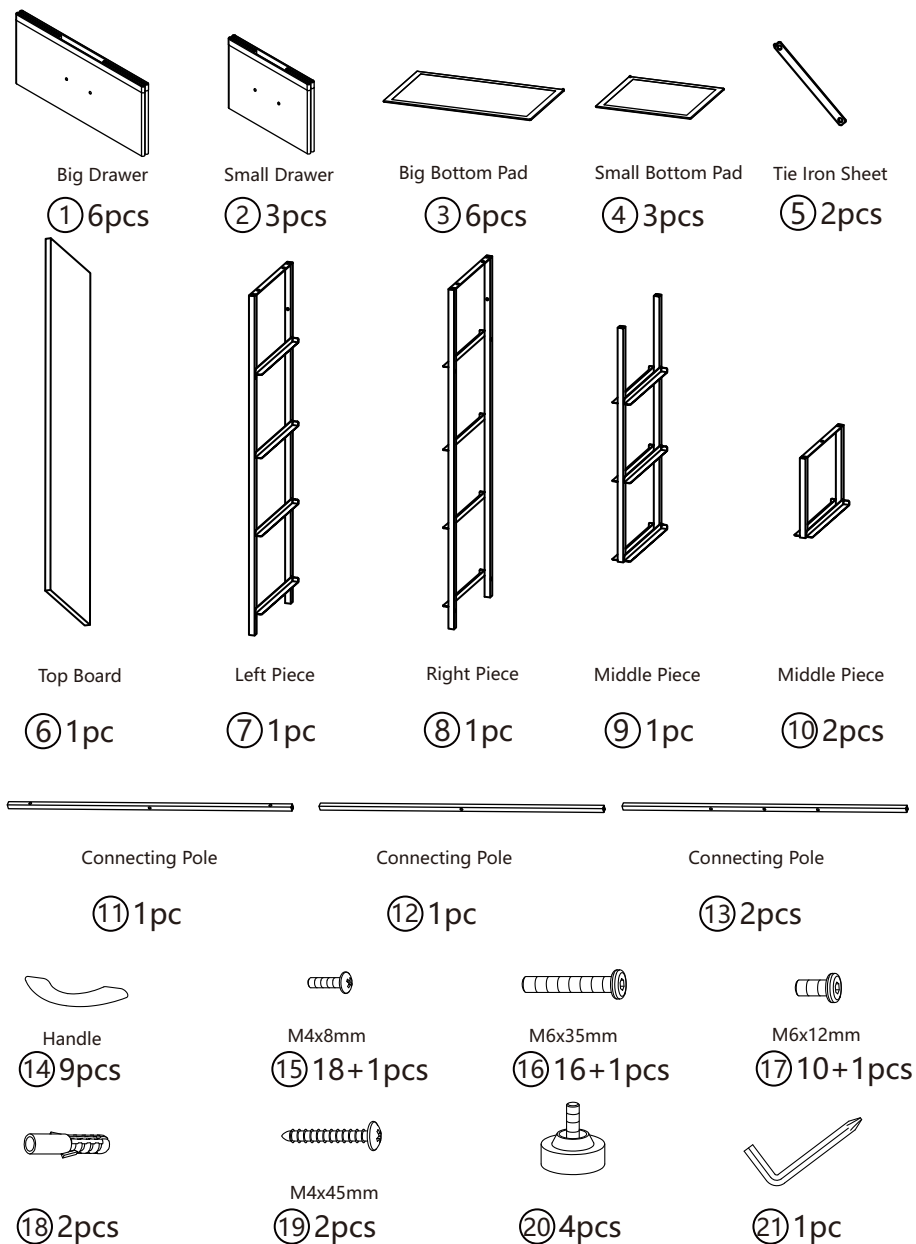


ASSEMBLY INSTRUCTIONS

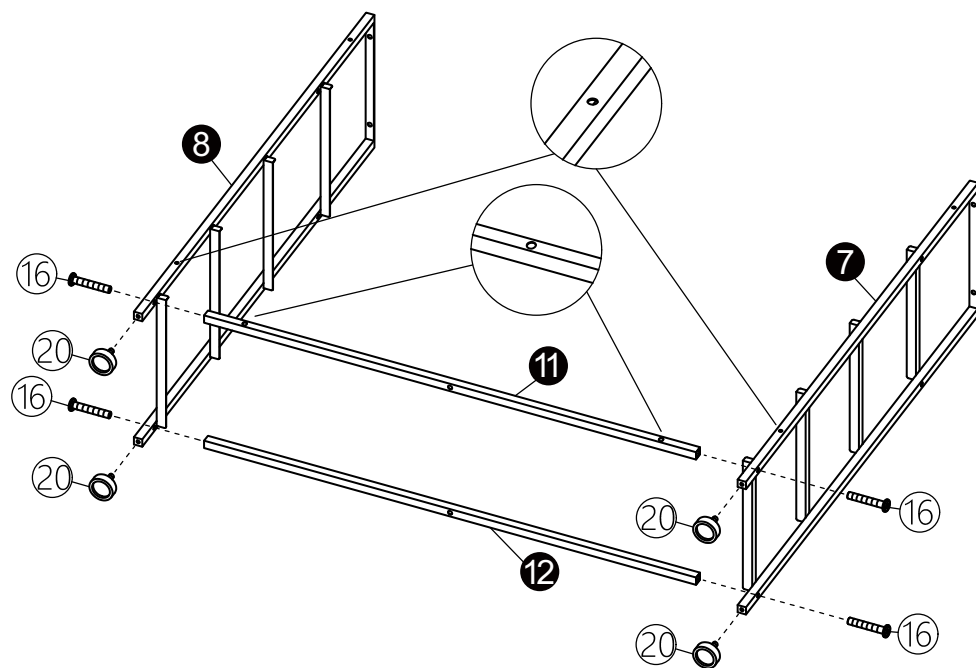
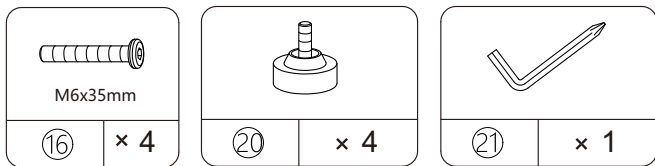


Board Identification

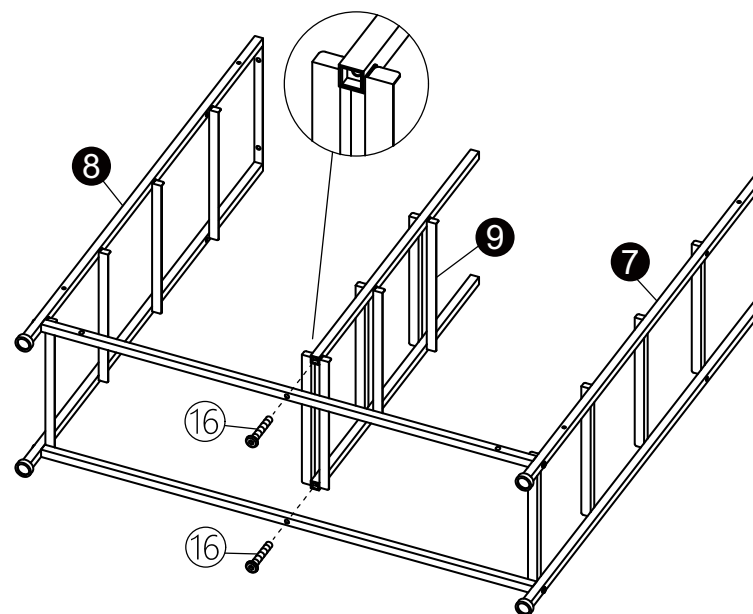
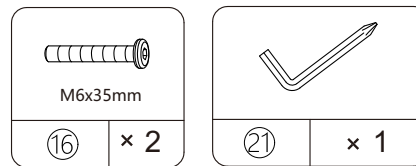
Not actual size



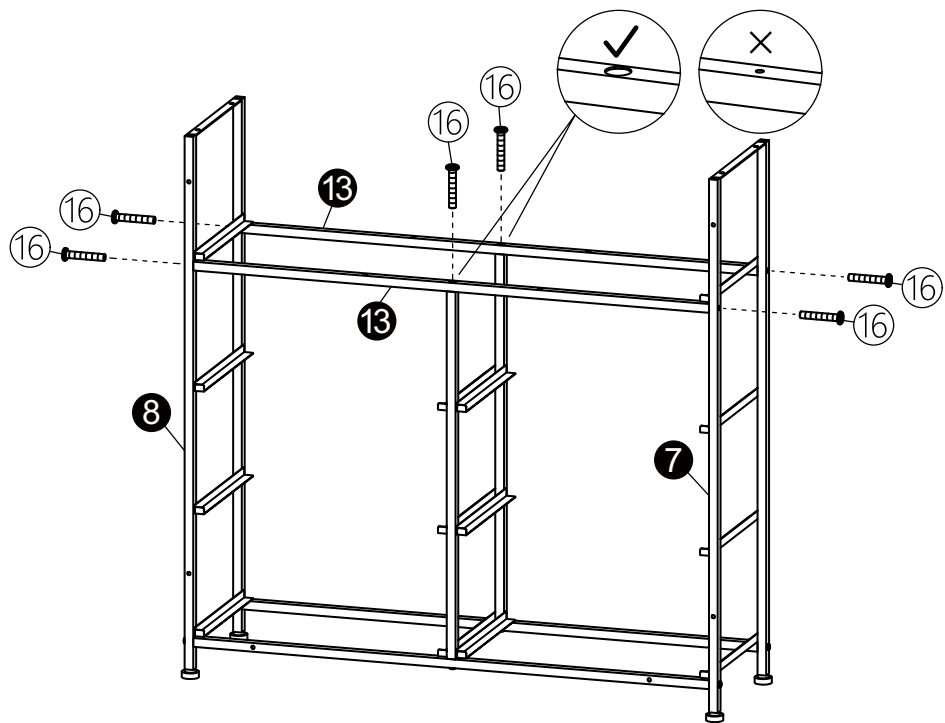
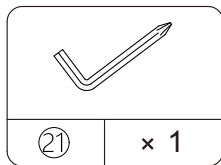
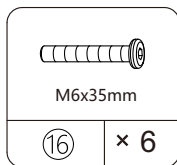
STEP 1



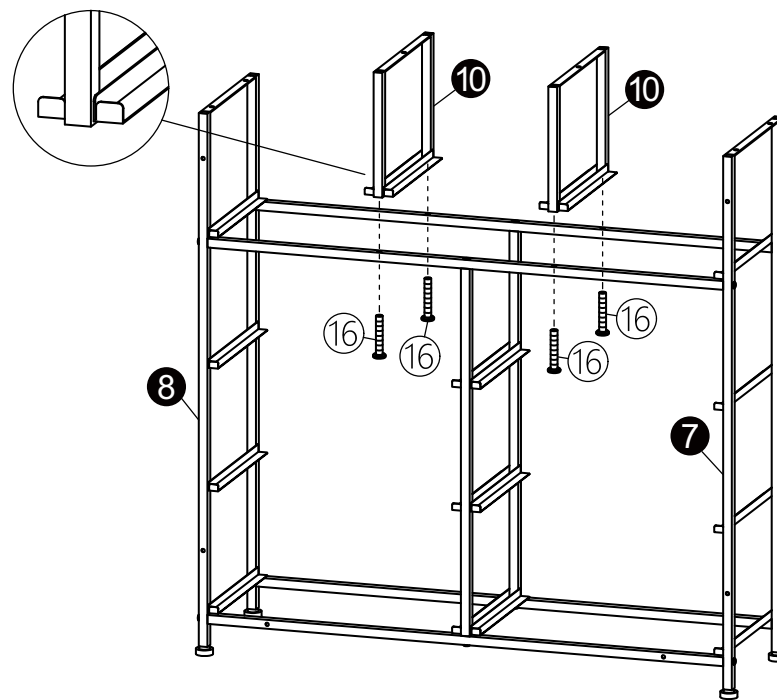
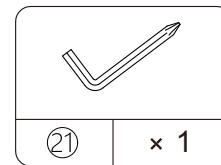
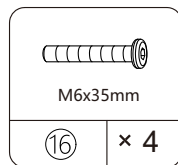
STEP 2



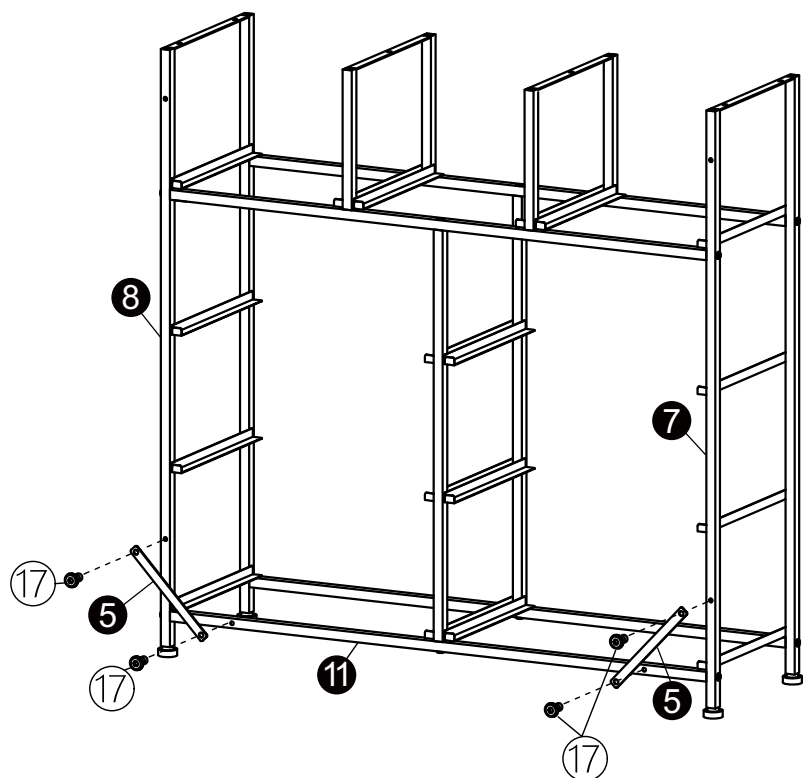
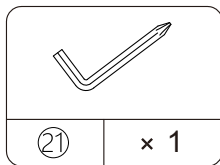
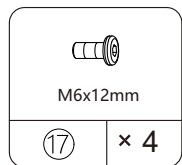
STEP 3



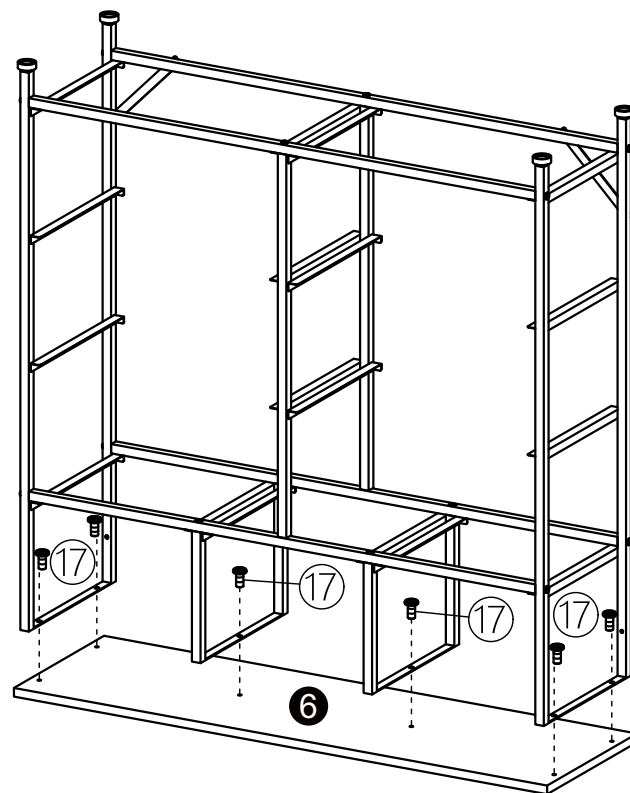
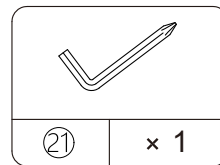
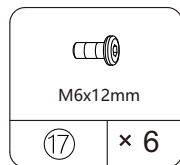
STEP 4



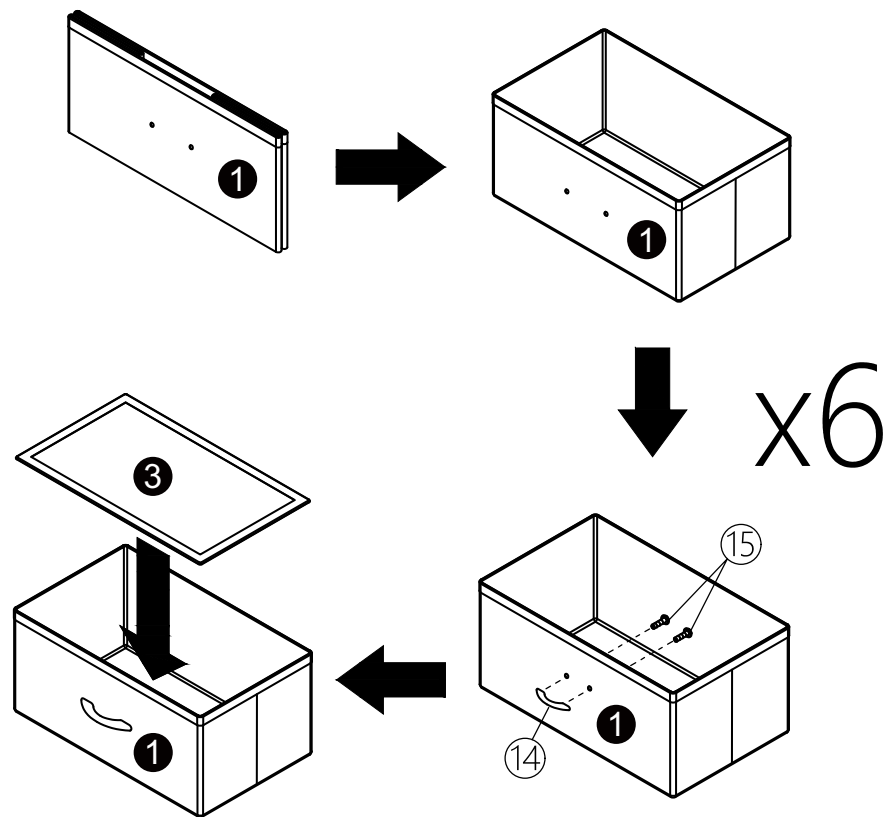
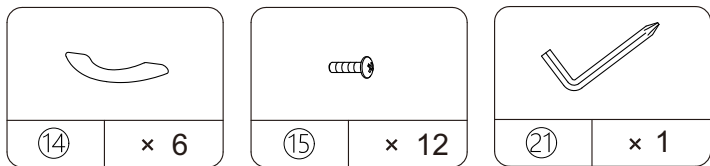
STEP 5



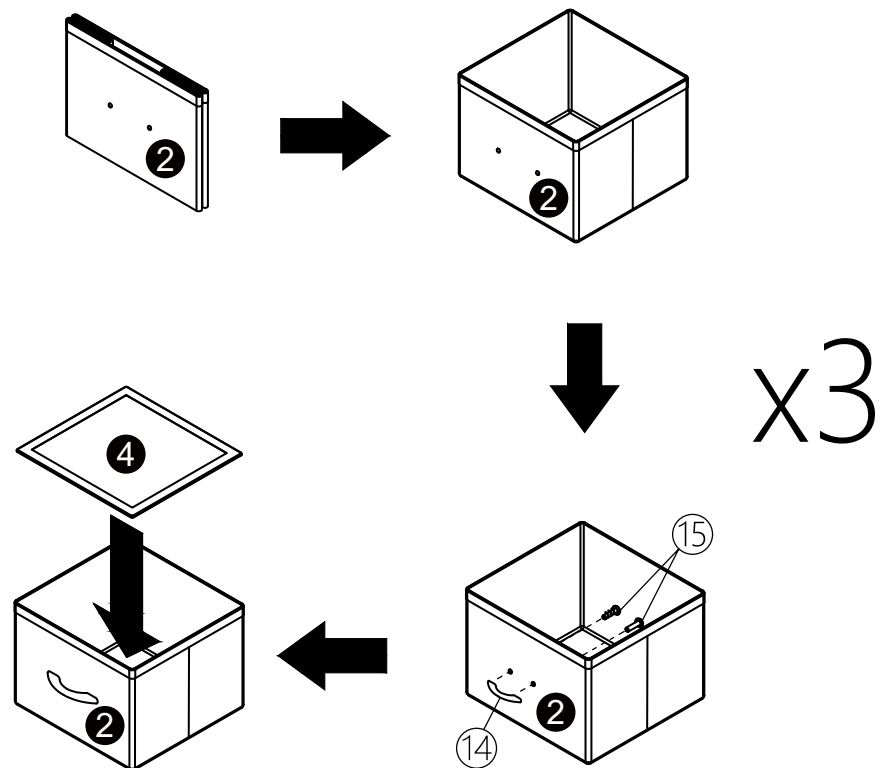
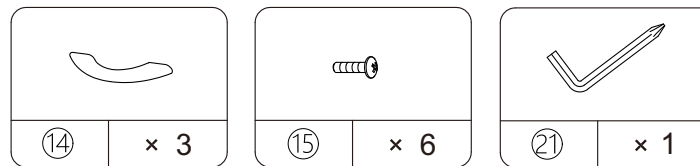
STEP 6



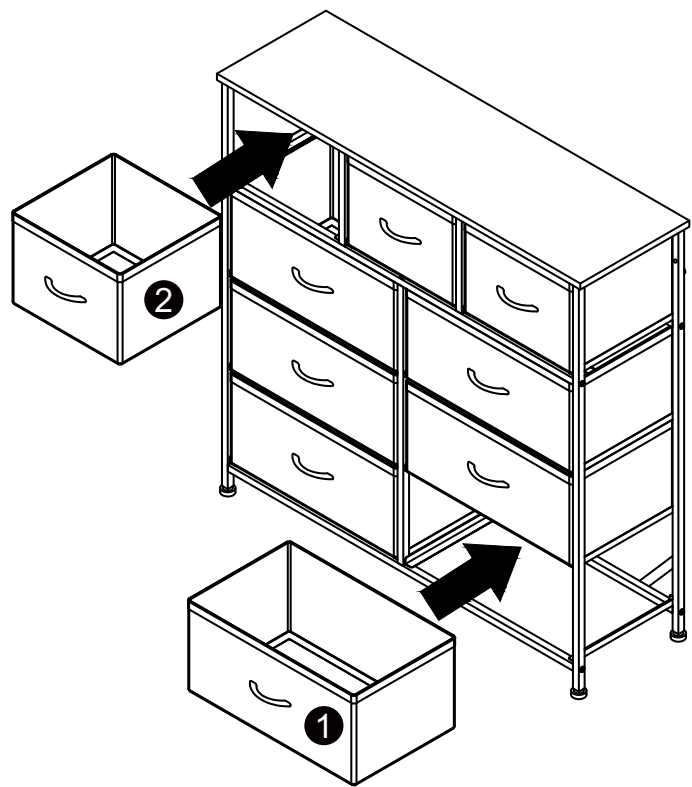
STEP 7



STEP 8



STEP 9



STEP 10

