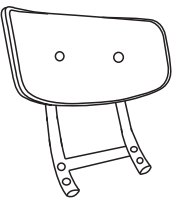

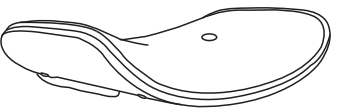
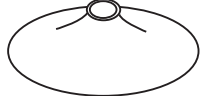
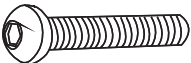



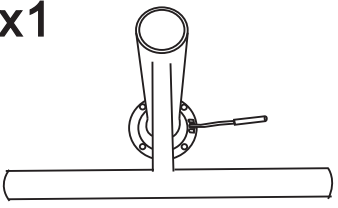
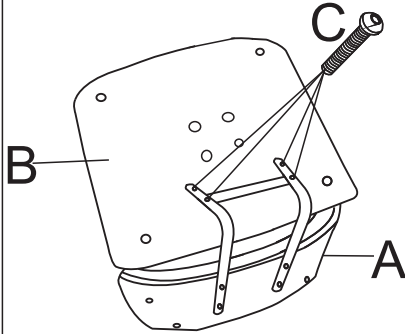
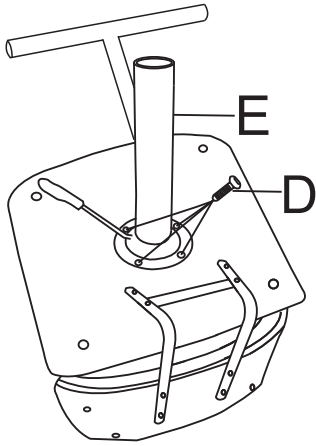
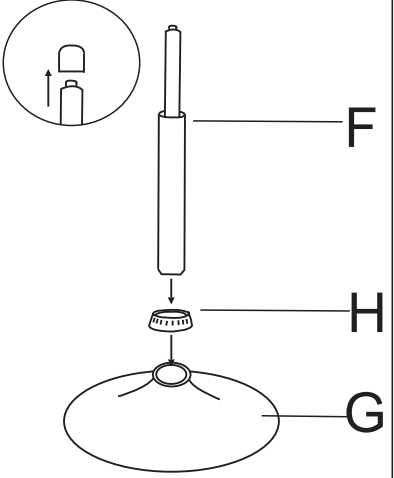
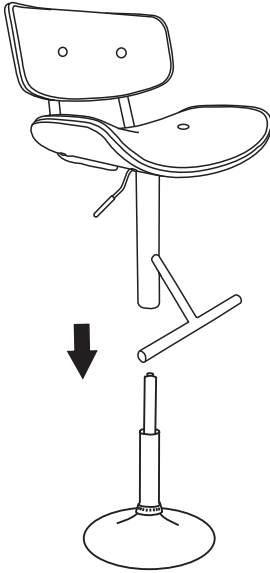


ASSEMBLING INSTRUCTION

Ax1 	Fx1 
Bx1 	Gx1 
Cx4  M6x30mm	Hx1 
Dx4  M616mm	Ix1 
Ex1 	

1 	2 	3 Remove cap from tip of gas lift. 
4 	5 