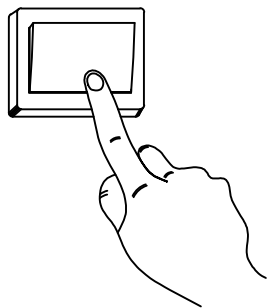
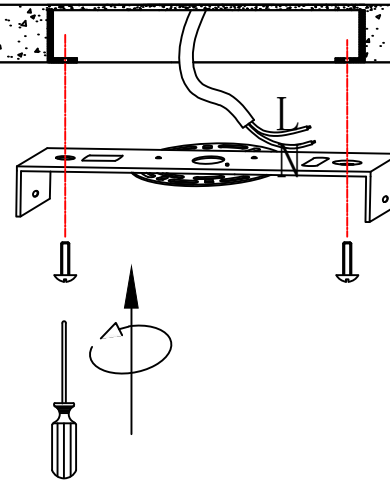


INSTALL INSTRUCTION

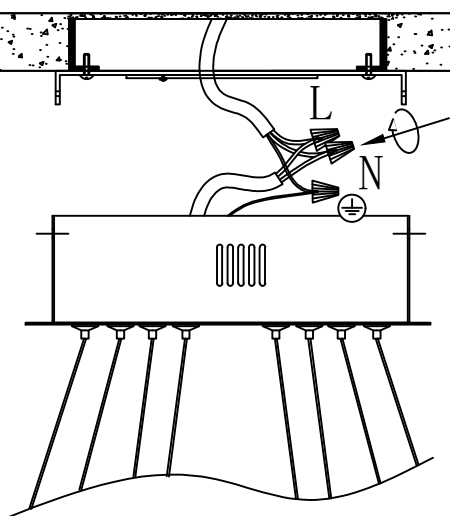
1



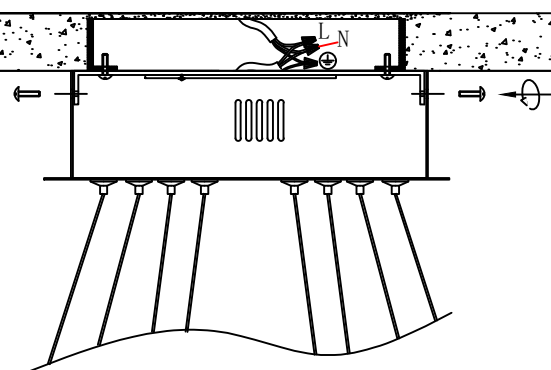
2



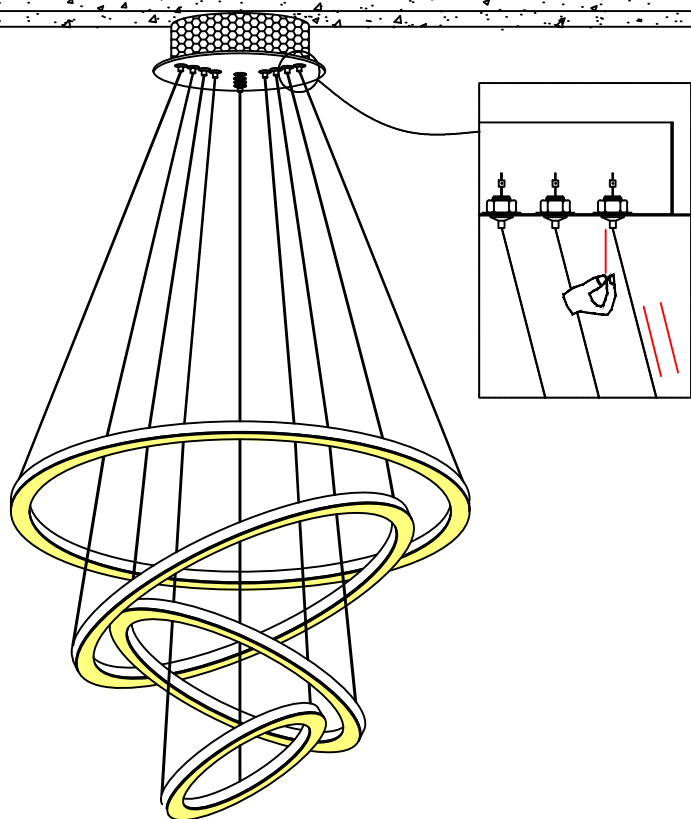
3



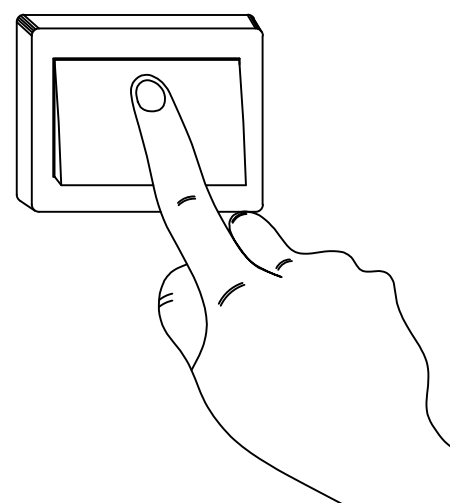
4



5



6



1 turn off the power

4 Locking Plate screw, fixed lamp body

2 Padlock panel

5 Adjust the lamp body balance

3 Connect the power cord

6 Connect the power cord