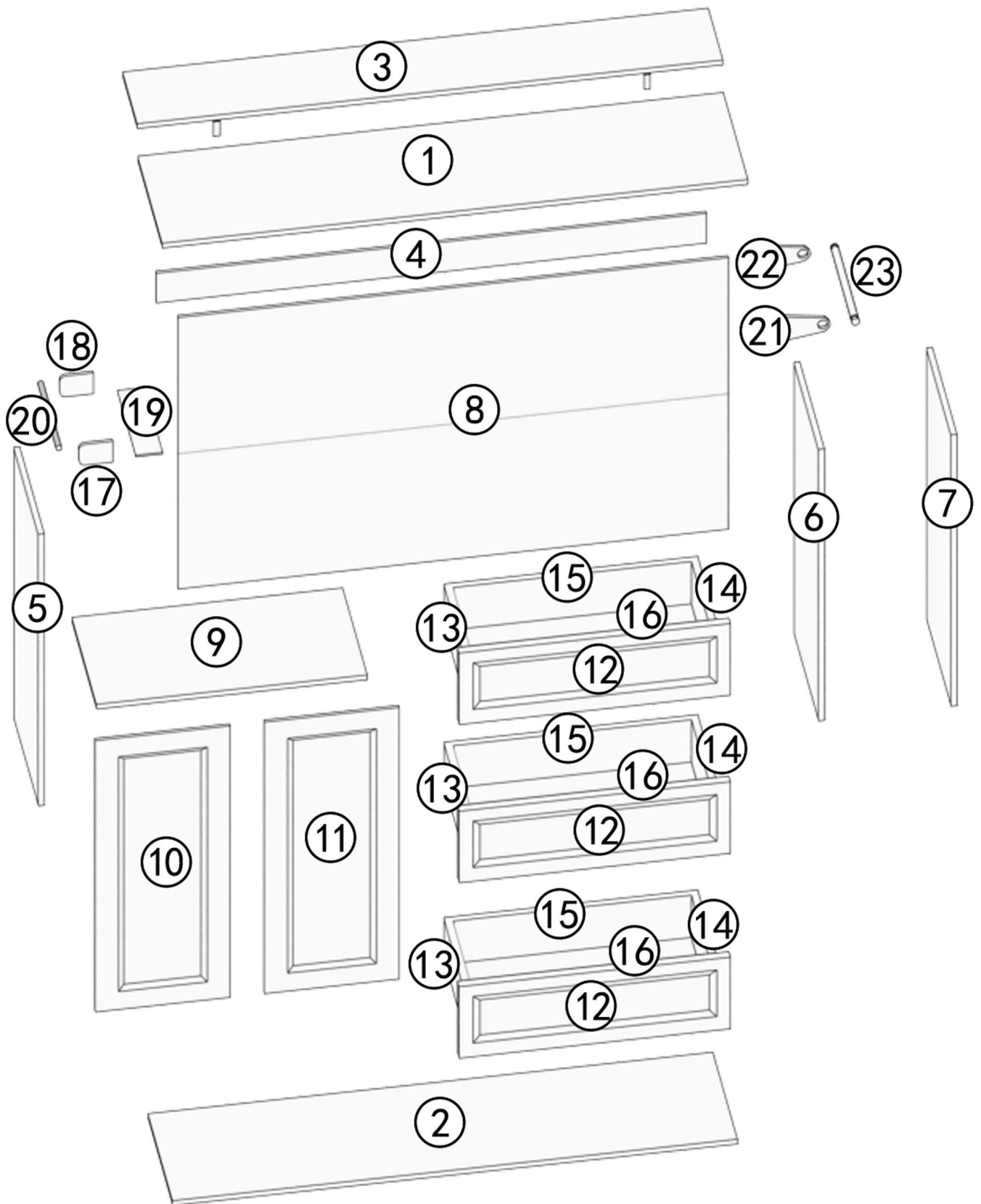




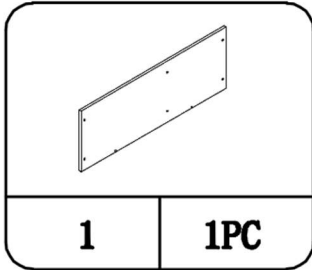
KITCHEN ISLAND
USER'S MANUAL
SKU:KD003601
KD005201

NOTE: THIS INSTRUCTION
BOOKLET CONTAINS **IMPORTANT**
SAFETY INFORMATION

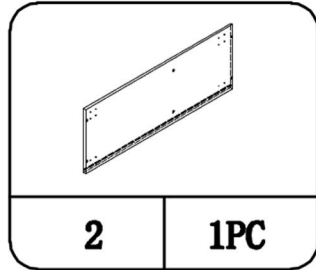
BOARD IDENTIFICATION



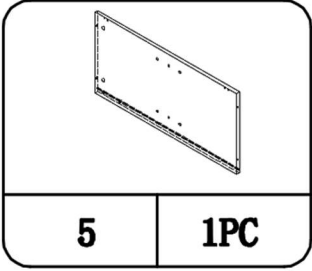
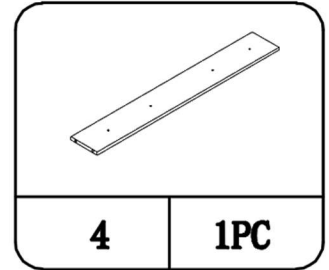
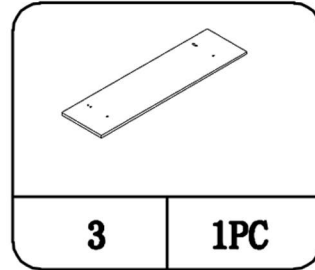
Part List



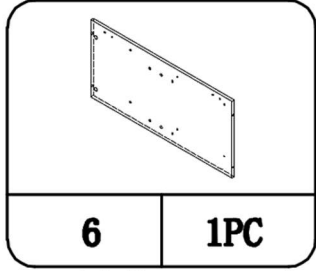
Desktop Board



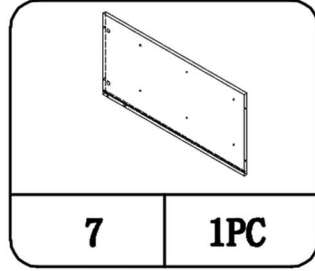
Bottom Board



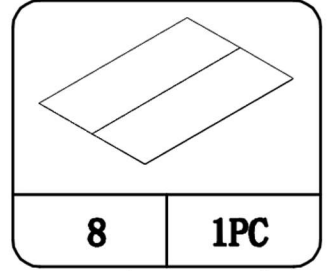
Bottom Board



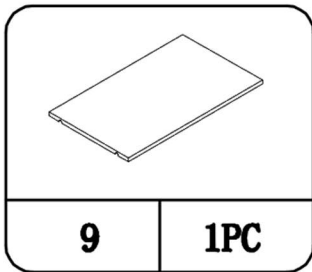
Middle Board



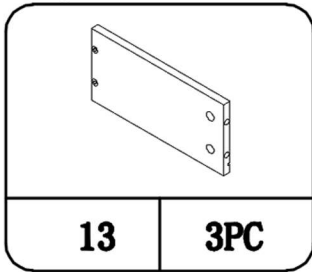
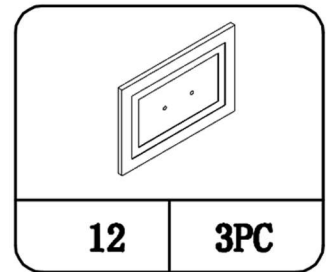
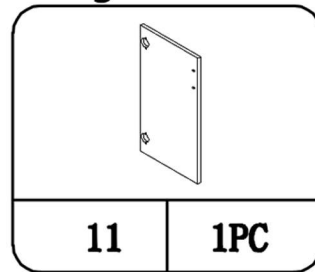
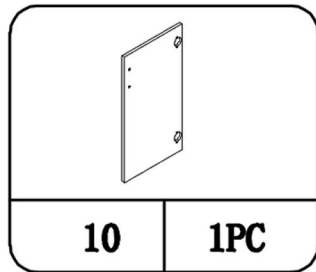
Right Board



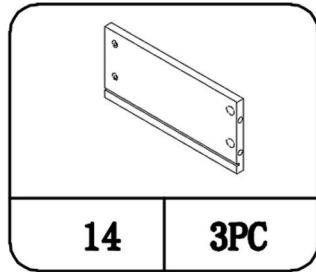
Back Board



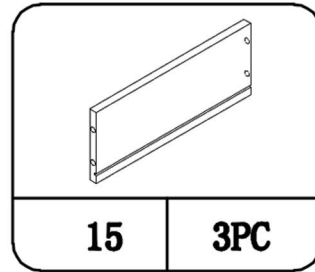
Adjustable Shelf



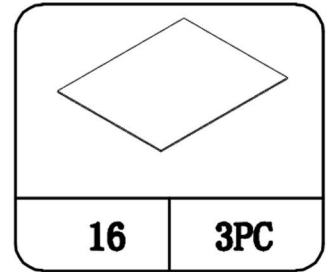
Left Board of Drawer



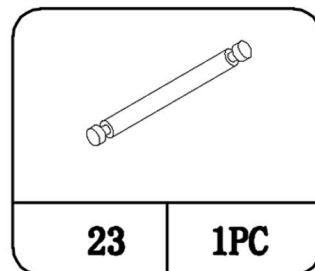
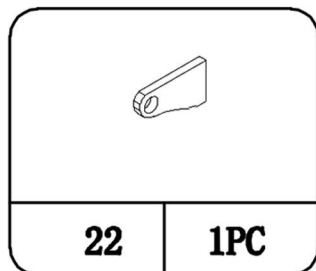
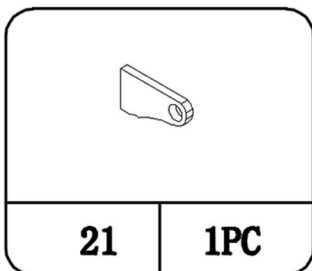
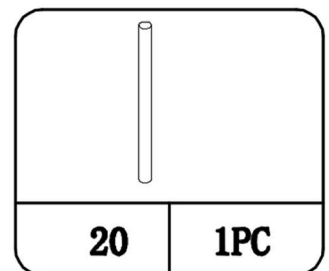
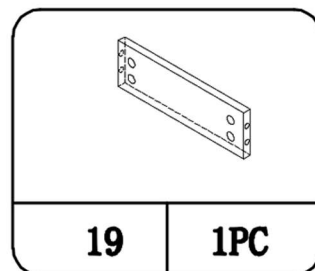
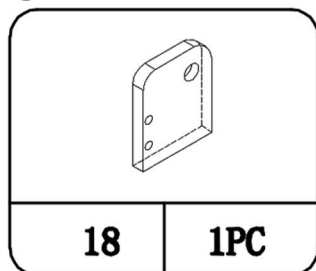
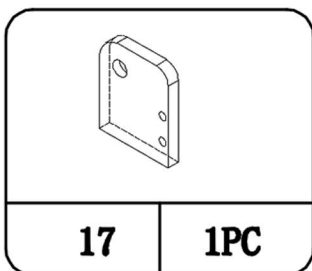
Right Board of Drawer



Back Board of Drawer



Bottom Board of Drawer



Hardware List



A **28PC**



B **28PC**

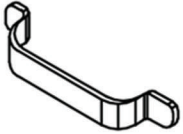


C **16PC**



ø8*30mm

D **6PC**



E **5PC**



M4*18mm

F **10PC**



ø4*40mm

G **26PC**



ø3.5*24mm

H **54PC**



RIGHT

I **3SETS**

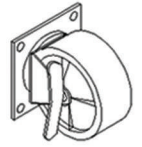


LEFT

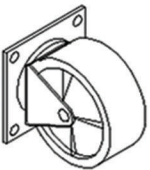
J **3SETS**



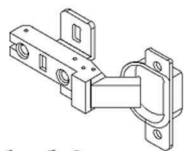
K **4PC**



L **2PC**

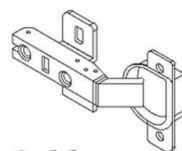


M **2PC**



half cover

N **2PC**



full cover

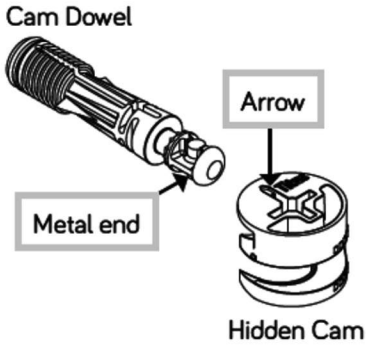
O **2PC**



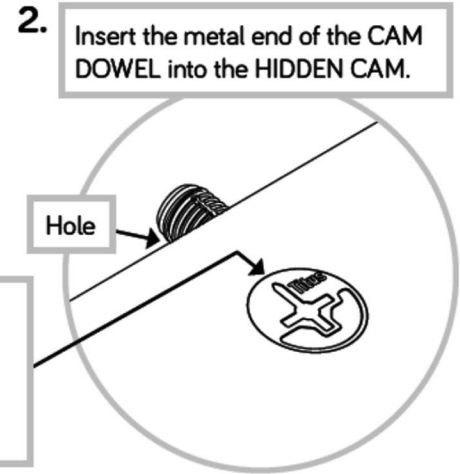
P **2PC**

Hardware Usage Guide

HOW TO USE A HIDDEN CAM & CAM DOWEL



1. Push a HIDDEN CAM into the part. The arrow in the HIDDEN CAM must point toward the hole in the edge of the board.

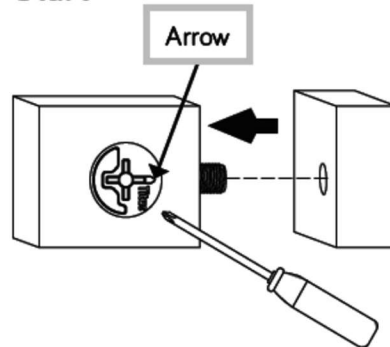


3.

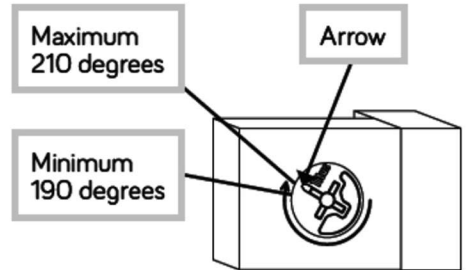
⚠ Caution

Risk of damage or injury. HIDDEN CAMS must be completely tightened. HIDDEN CAMS that are not completely tightened may loosen, and parts may separate. To completely tighten:

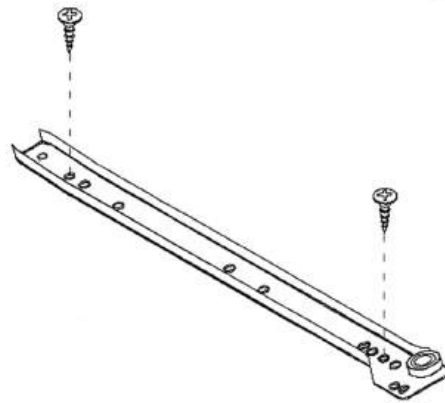
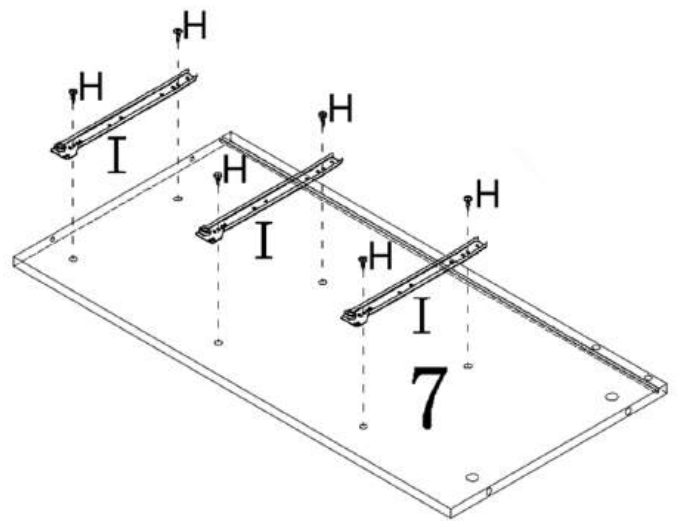
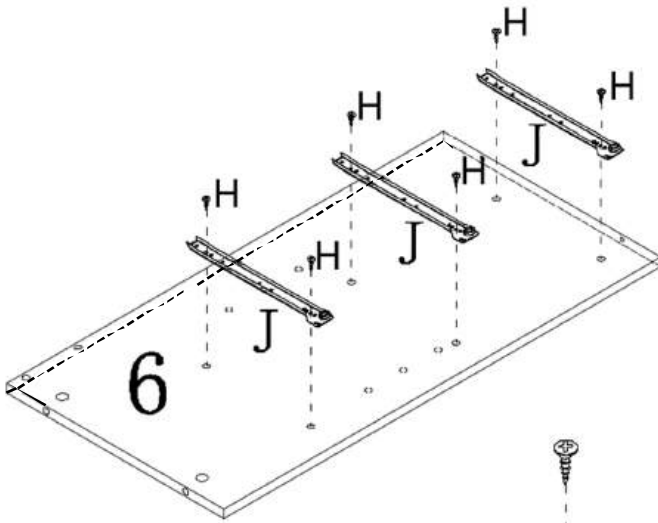
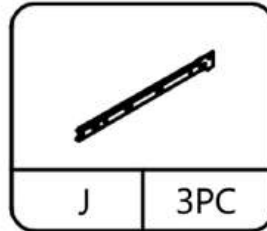
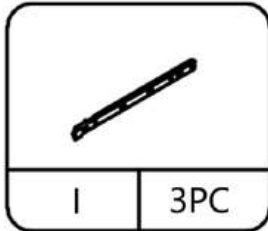
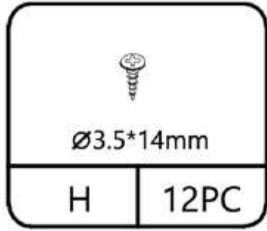
Start



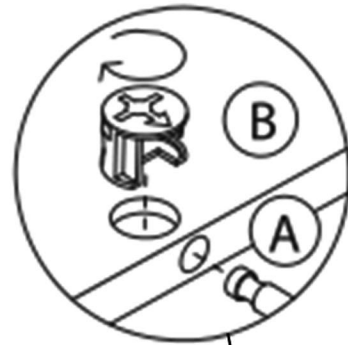
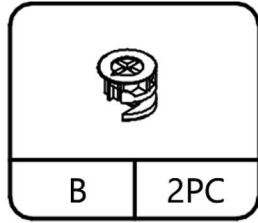
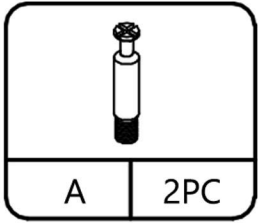
Tighten



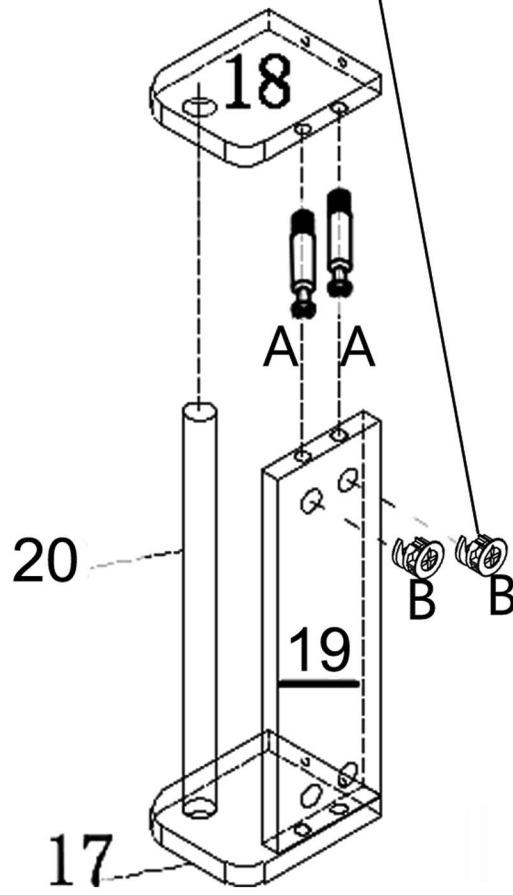
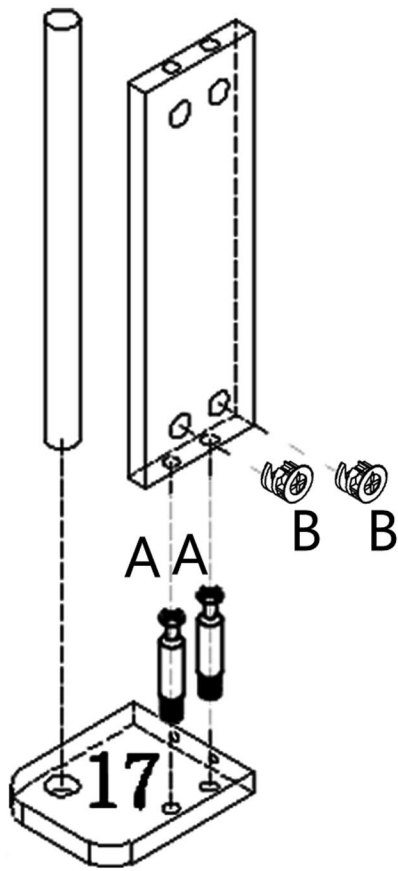
Step 1




Step 2

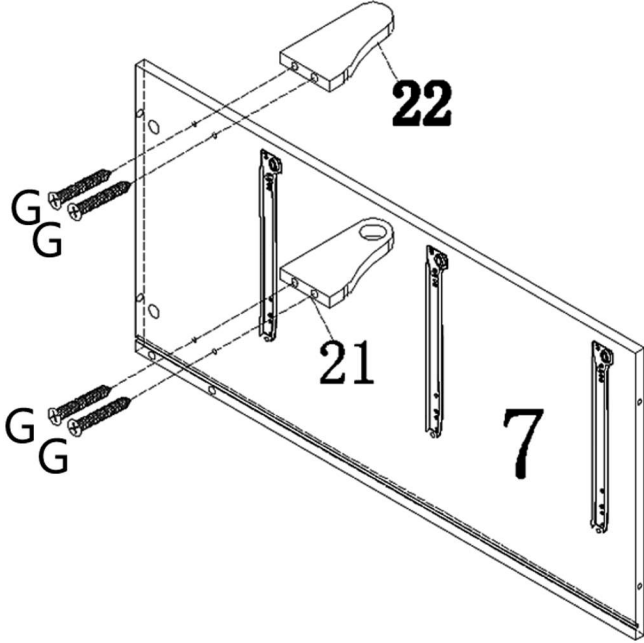
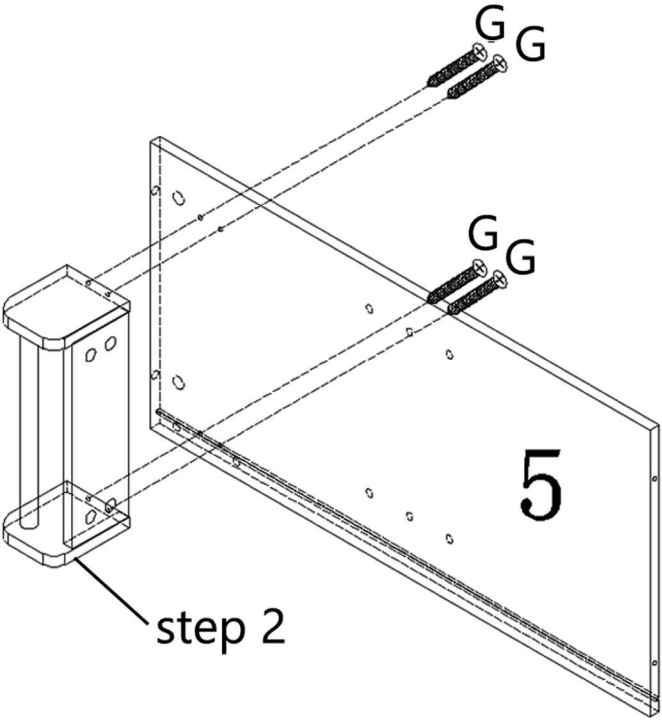


Be careful not to over tighten.

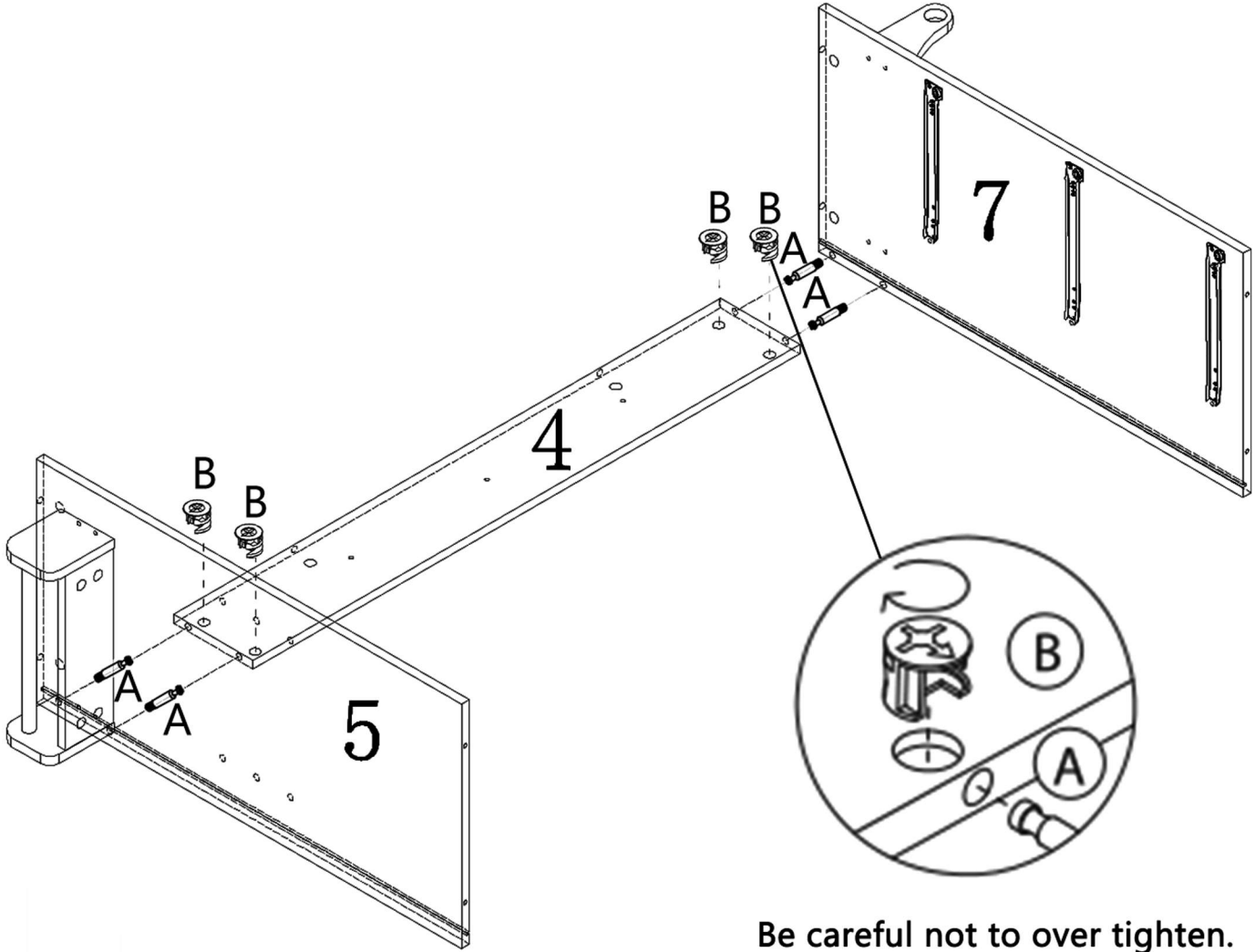
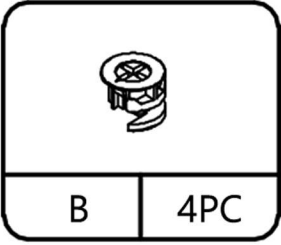
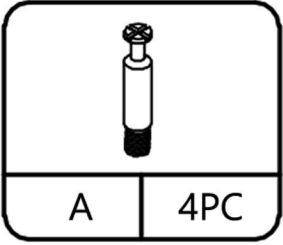


Step 3

 Ø4*40mm	
G	8PC





Step 4

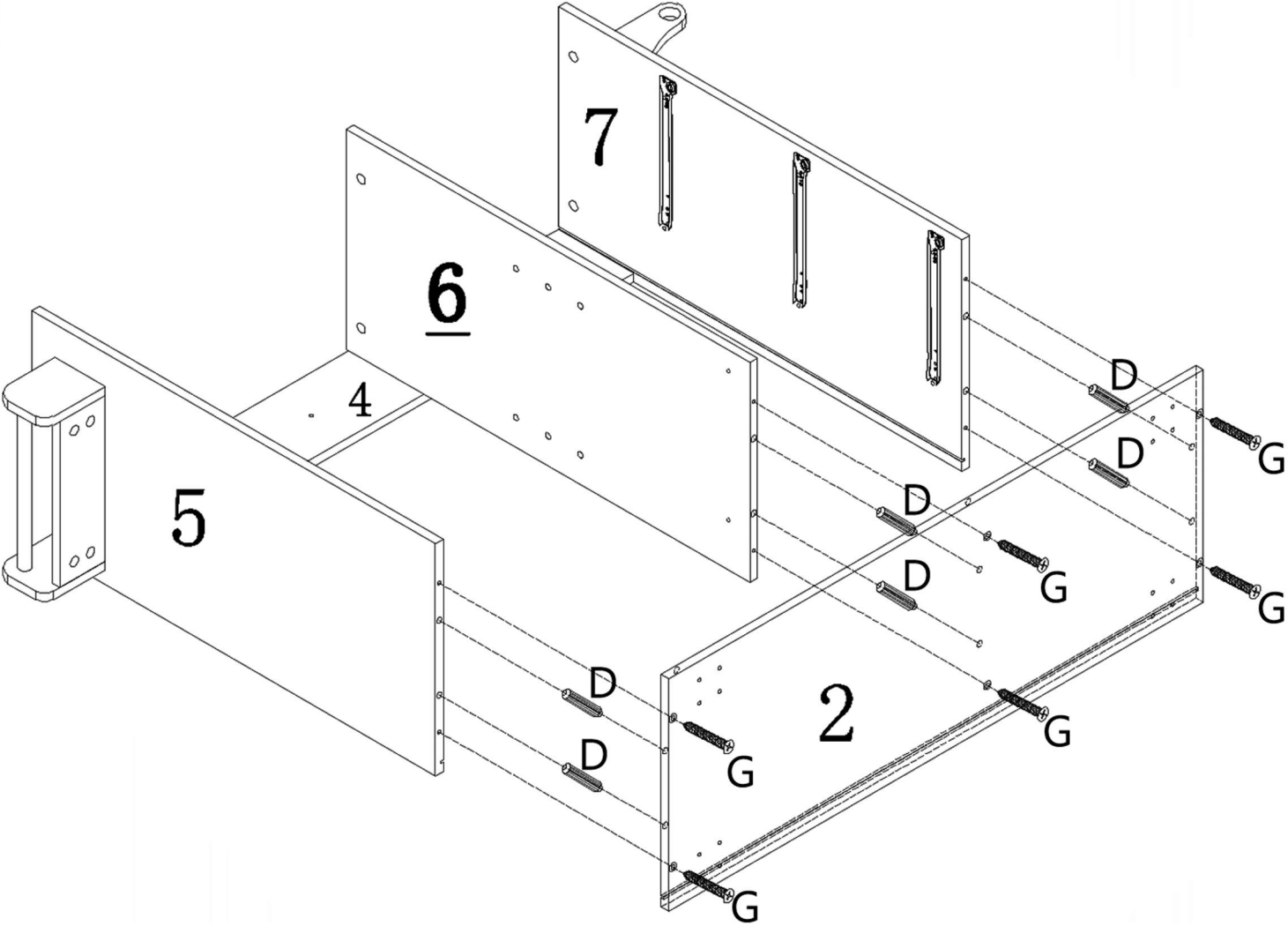


Be careful not to over tighten.

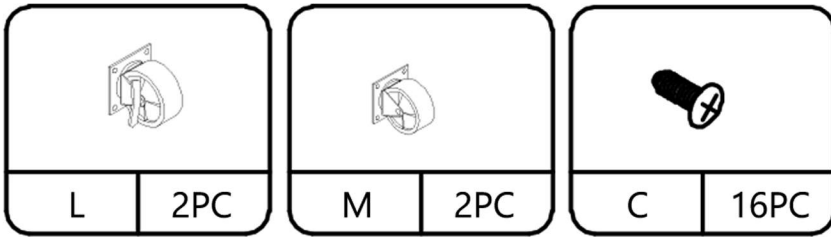
Step 5

	
Ø4*40mm	
G	6PC

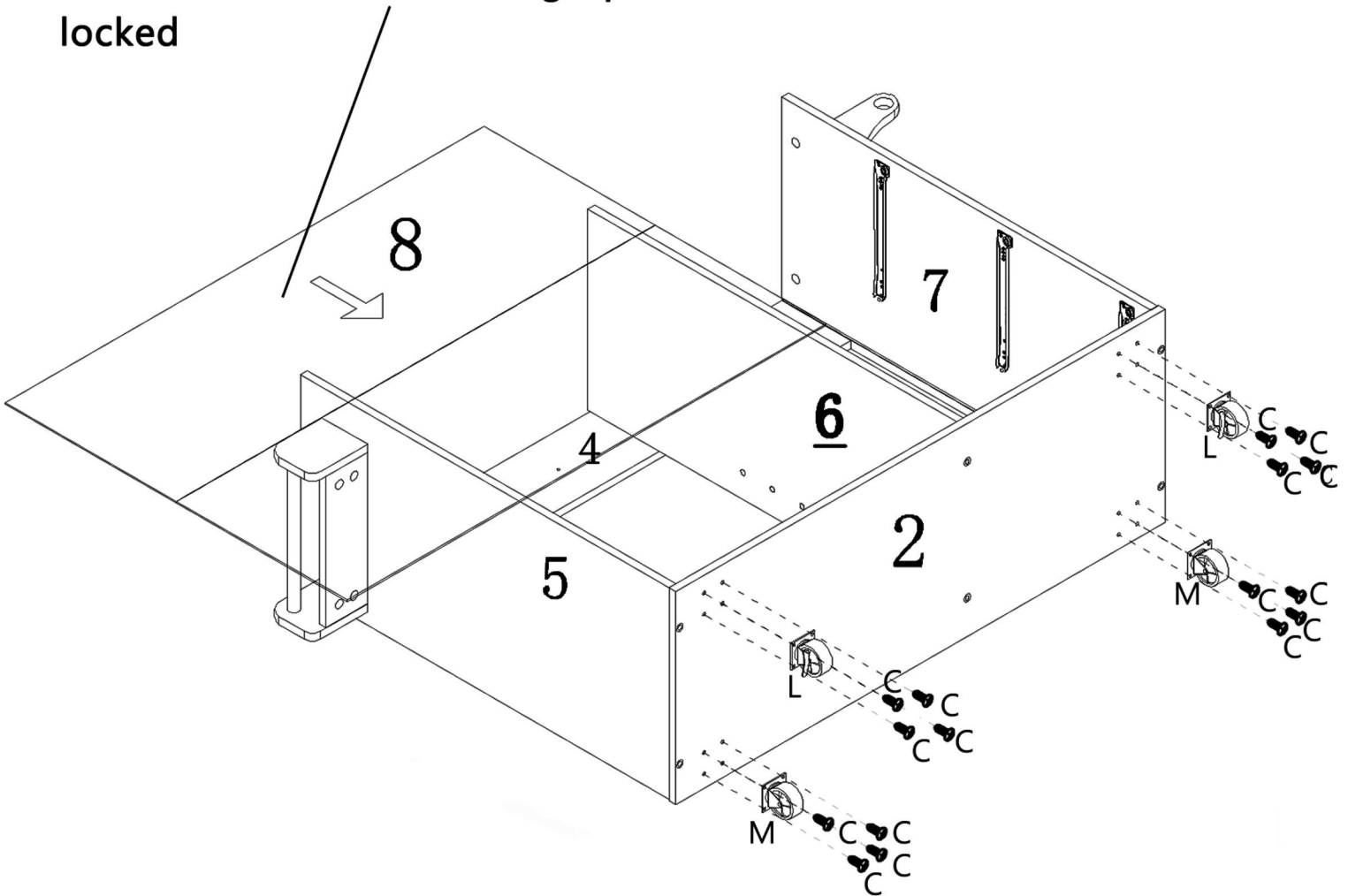
	
Ø8*30mm	
D	6PC




Step 6

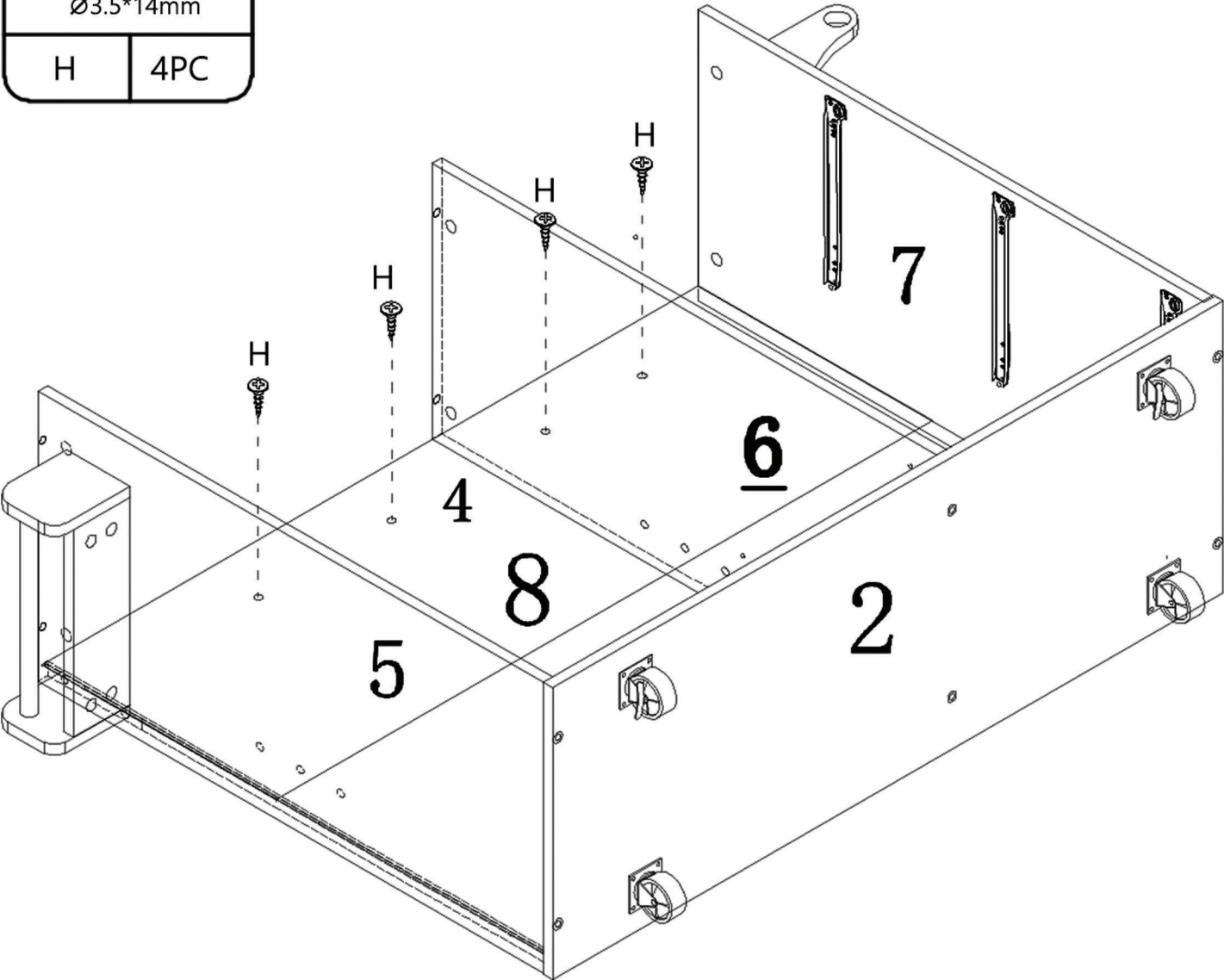


!!! Note: There is 4 holes on one side of the board (8), and the side with the hole is facing up, otherwise the screw cannot be locked

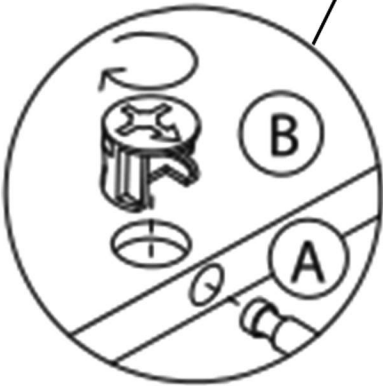
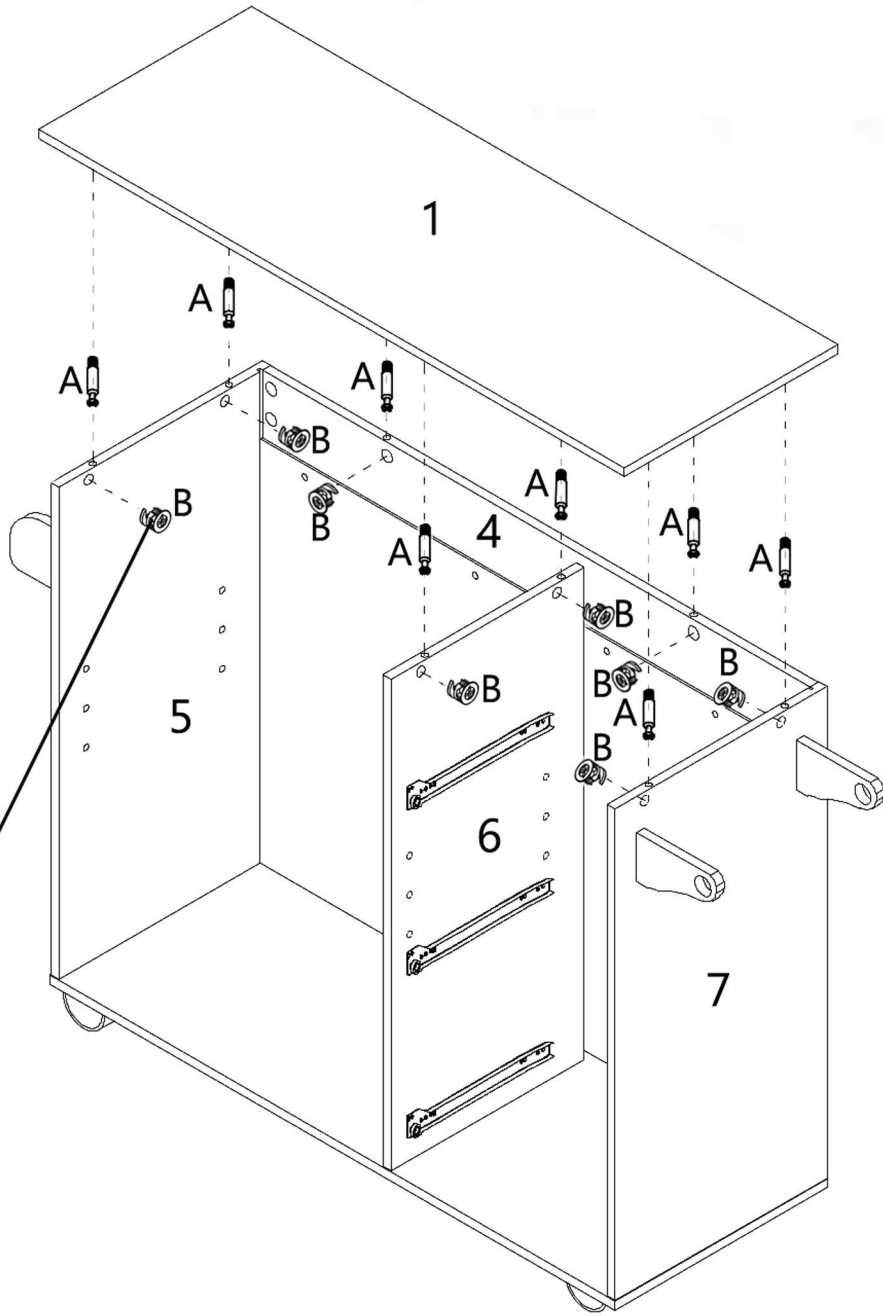
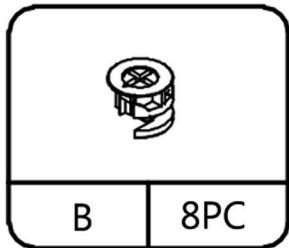
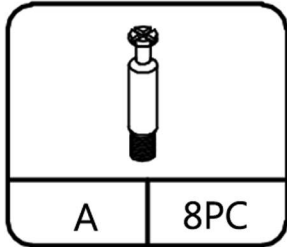


Step 7

	
Ø3.5*14mm	
H	4PC

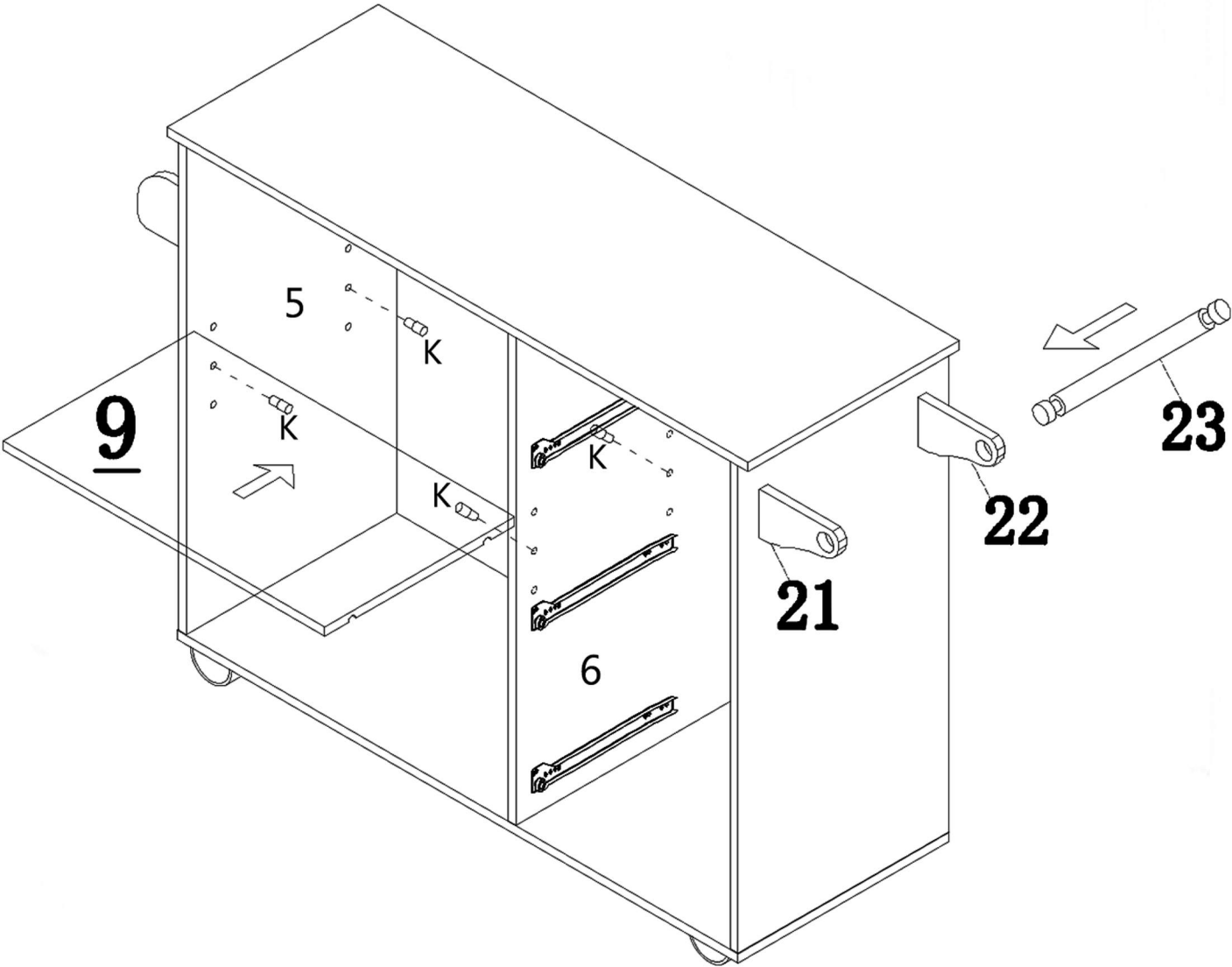
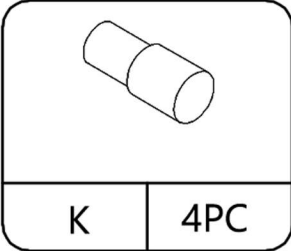


Step 8

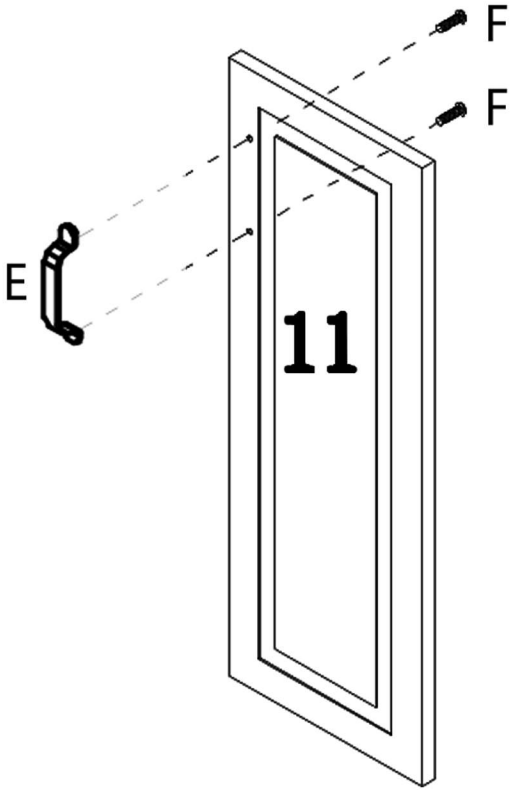
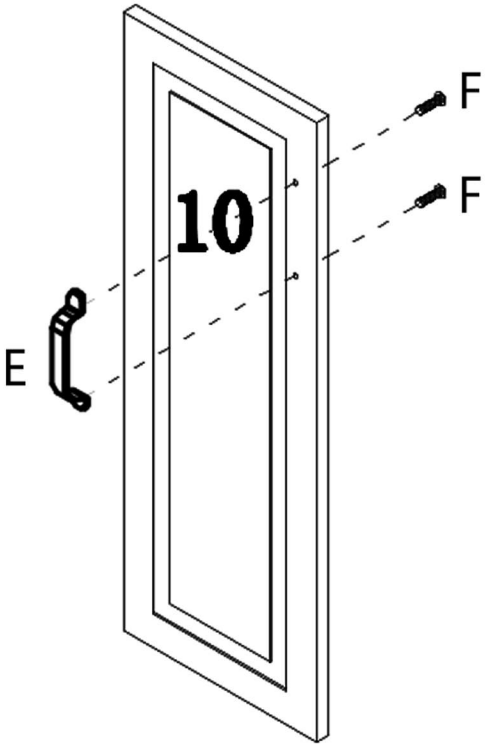
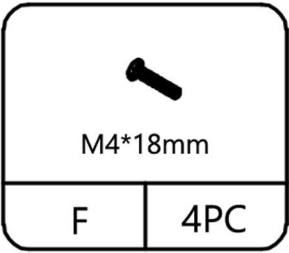
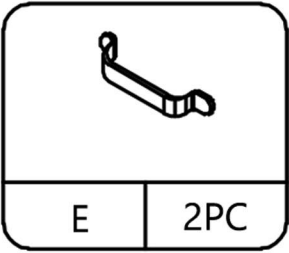


Be careful not to over tighten.


Step 9

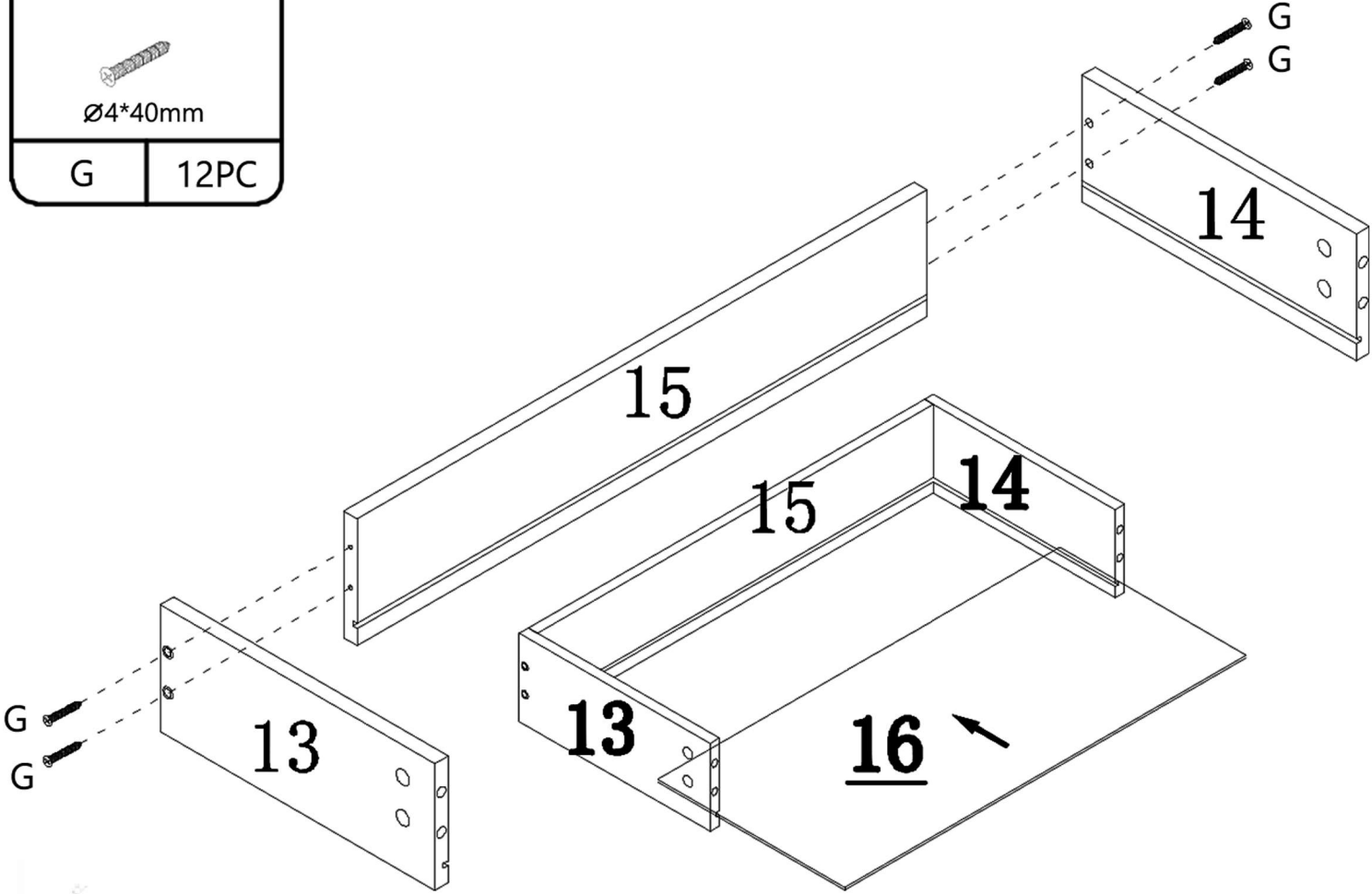


Step 10

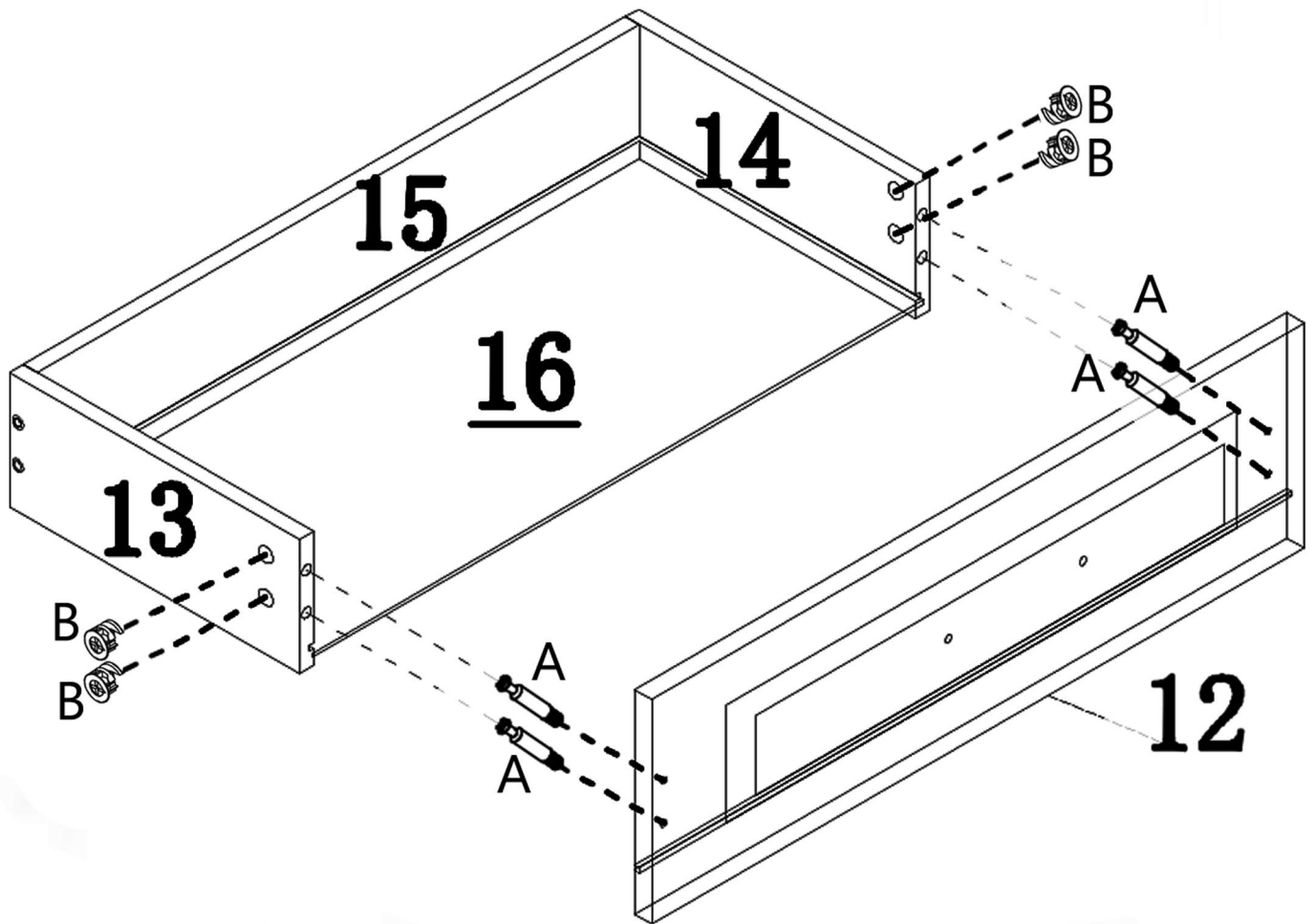
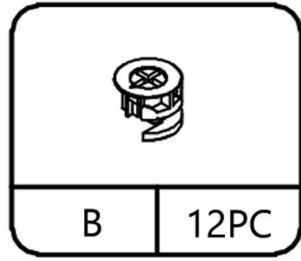
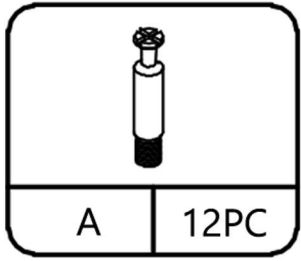


Step 11

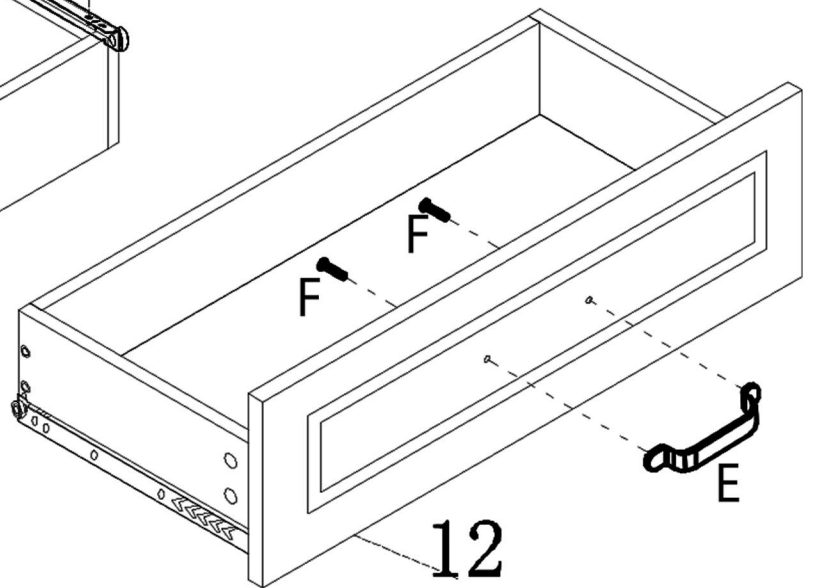
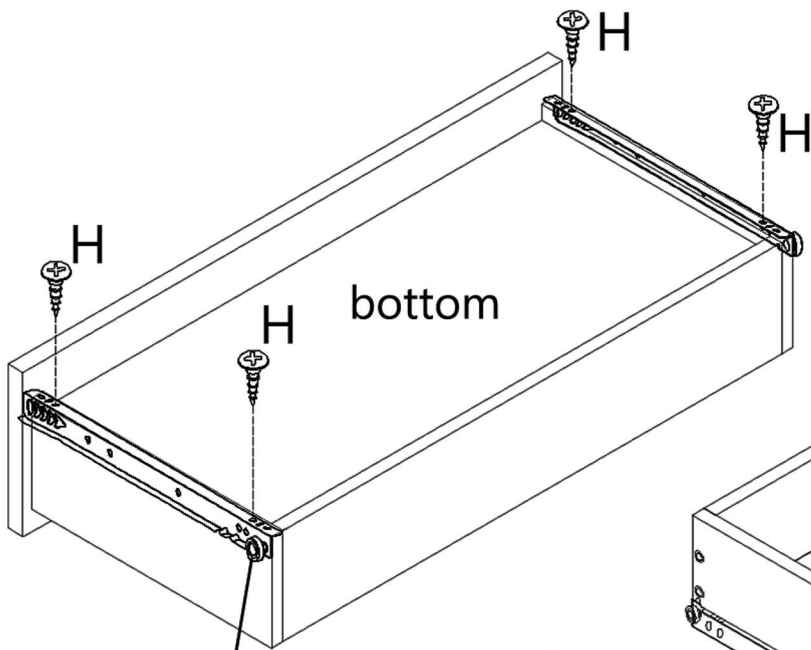
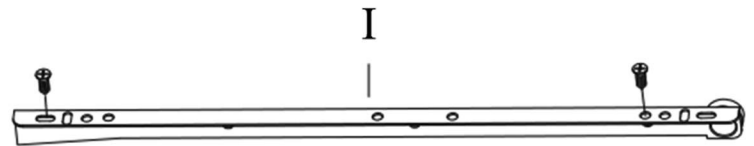
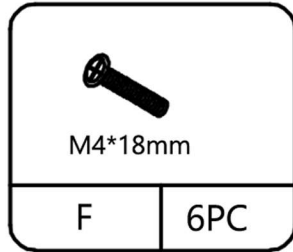
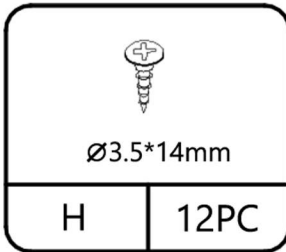
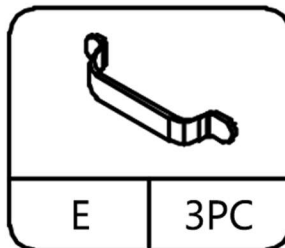
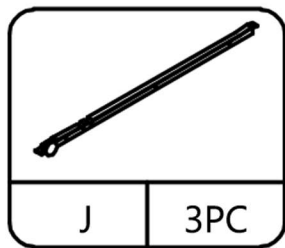
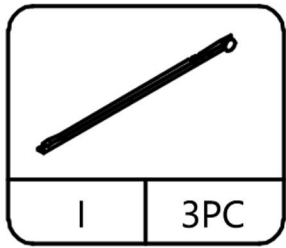
 Ø4*40mm	
G	12PC



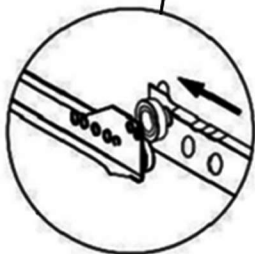
Step 12



Step 13



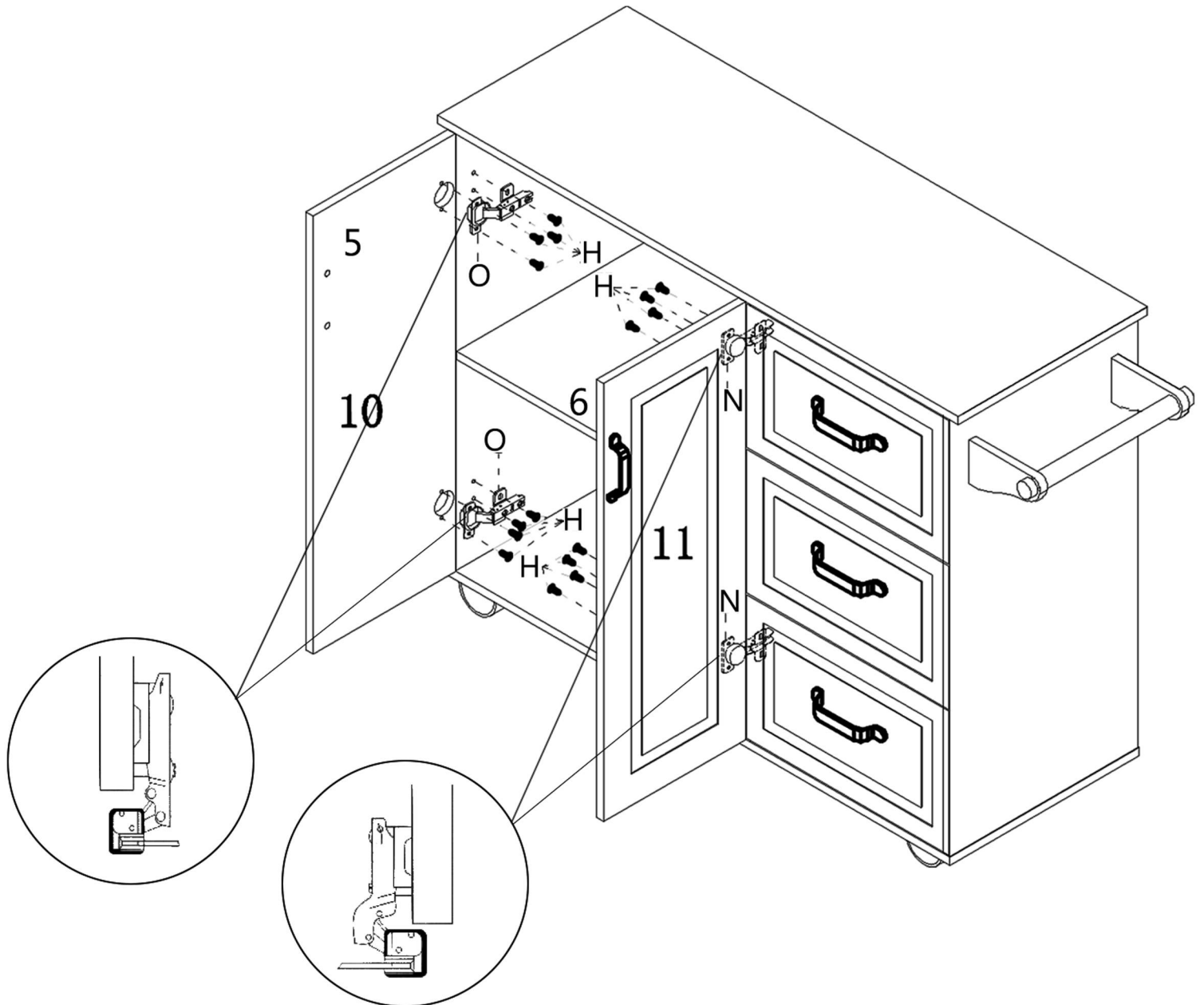
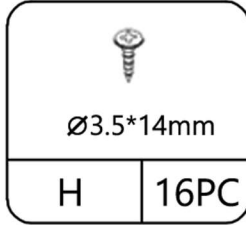
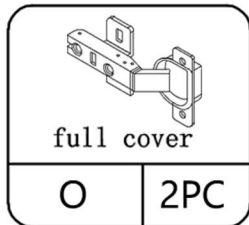
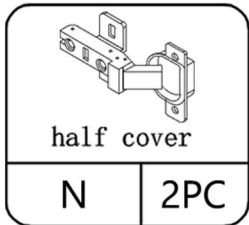
× 3



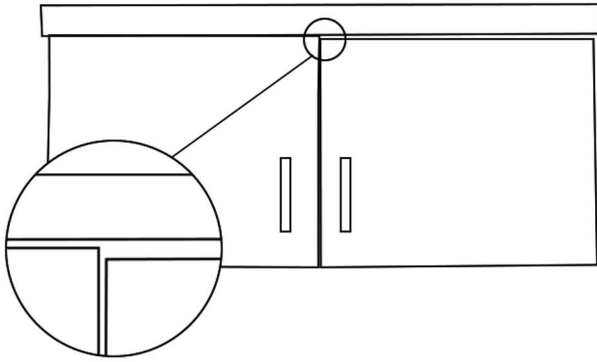
Place the assembled drawer into the slides

Step 14

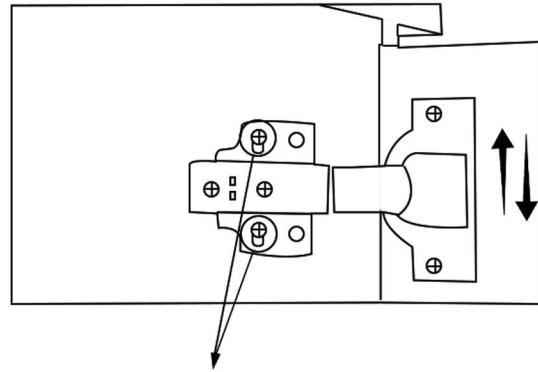
!!!Note: Part (O) connect part (5,10),part (N) connect part (6,11).Do not install it backwards, otherwise it will cause the cabinet door and drawer to collide



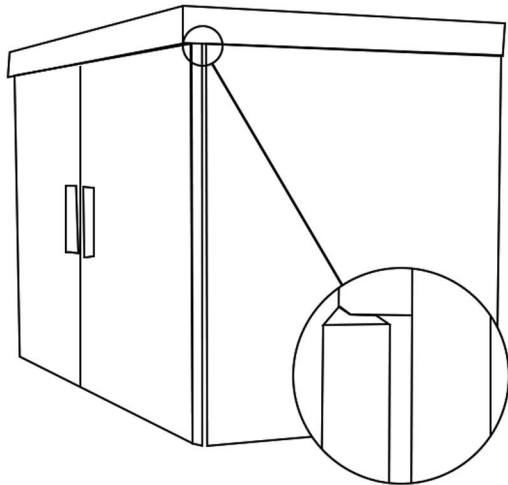
Step 15



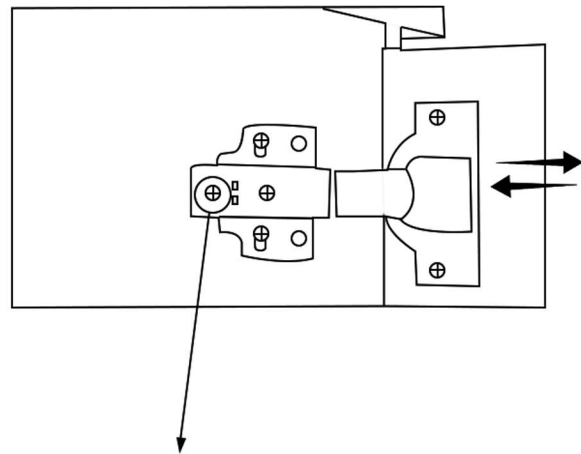
1.If the height of two doors is different



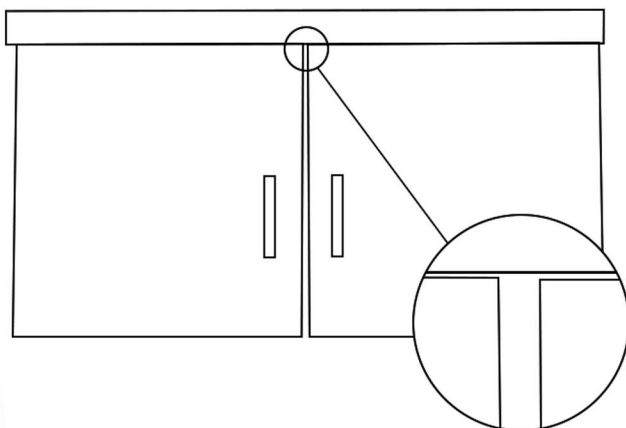
Unbolt up and down screw on the hinge
Adjust the height, then screw down



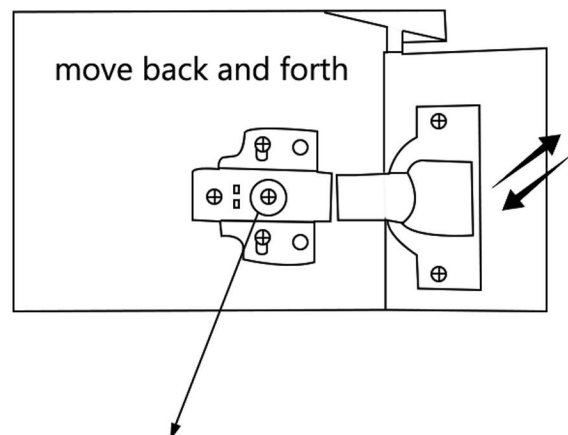
2.If big gap for door and side board



Adjust the gap, then screw down

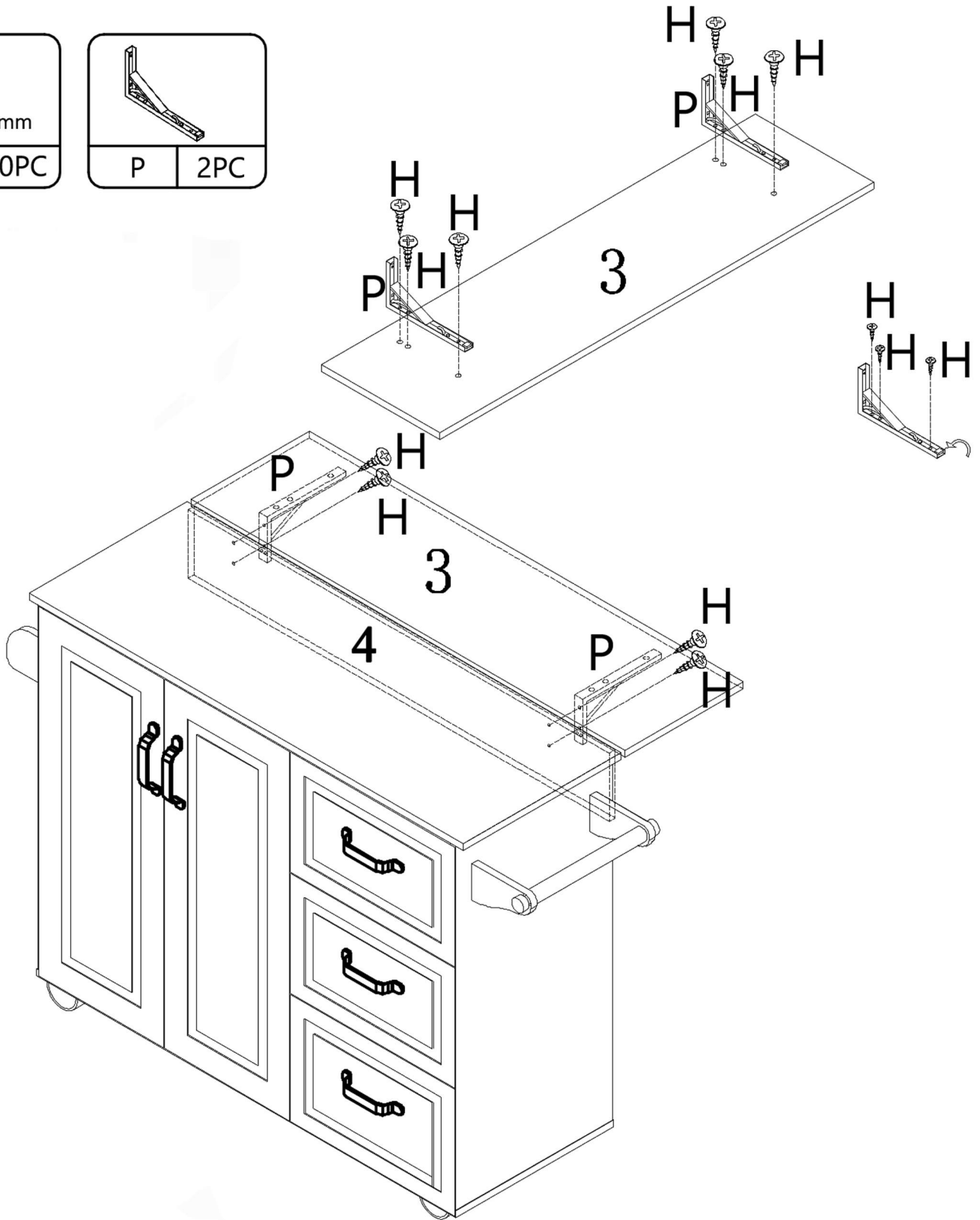
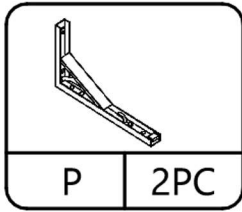
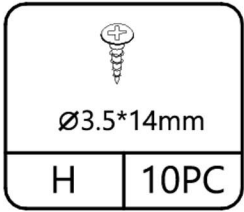


3.If big gap for two doors



Adjust the outside screw for door hinge

Step 16



Well done! You've finally finished installing.

