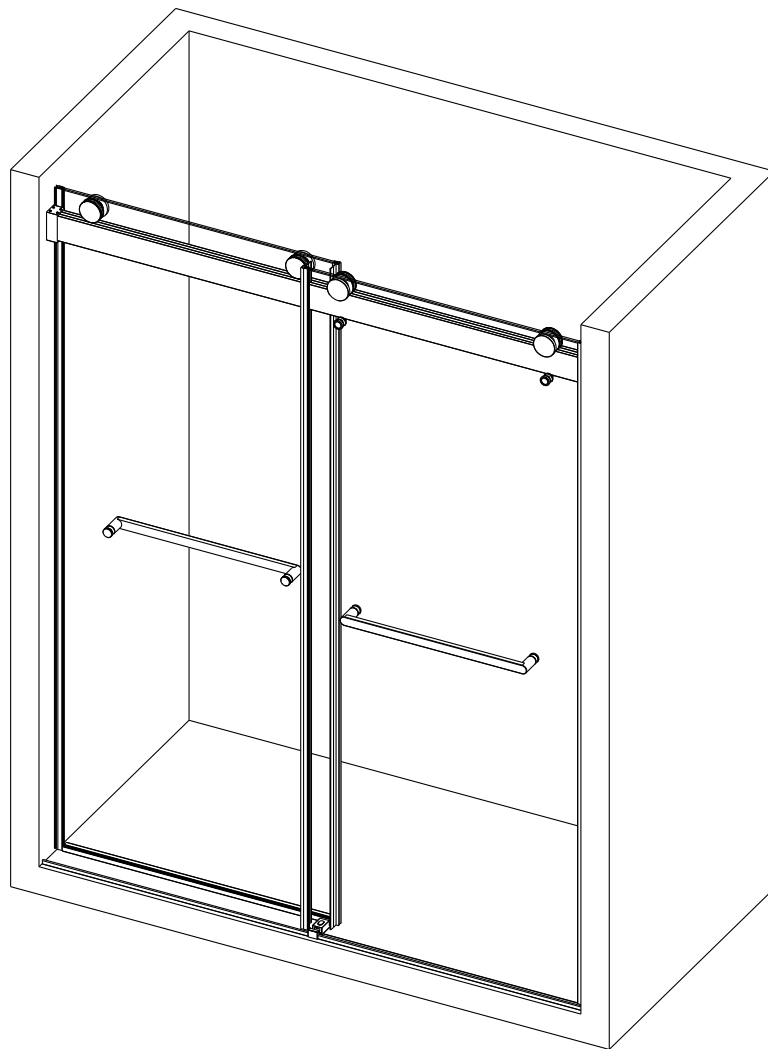


SHOWER DOOR

If you have any questions about the shower door, please feel free to contact us.

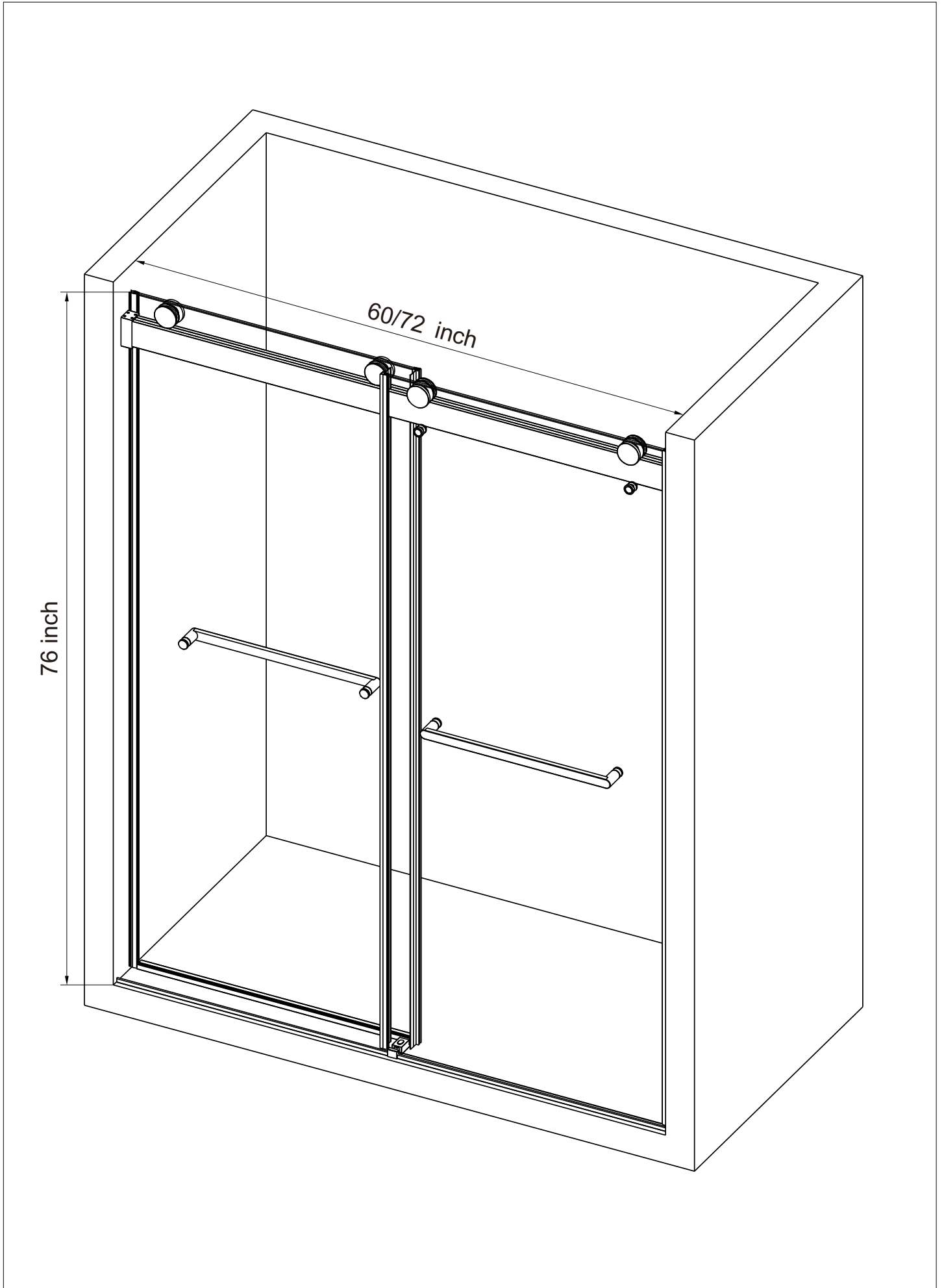
Customer Service Email: Service@alaulm.com



22D02

Follow the guidelines in this user guide to ensure correct assembly and care for this product.

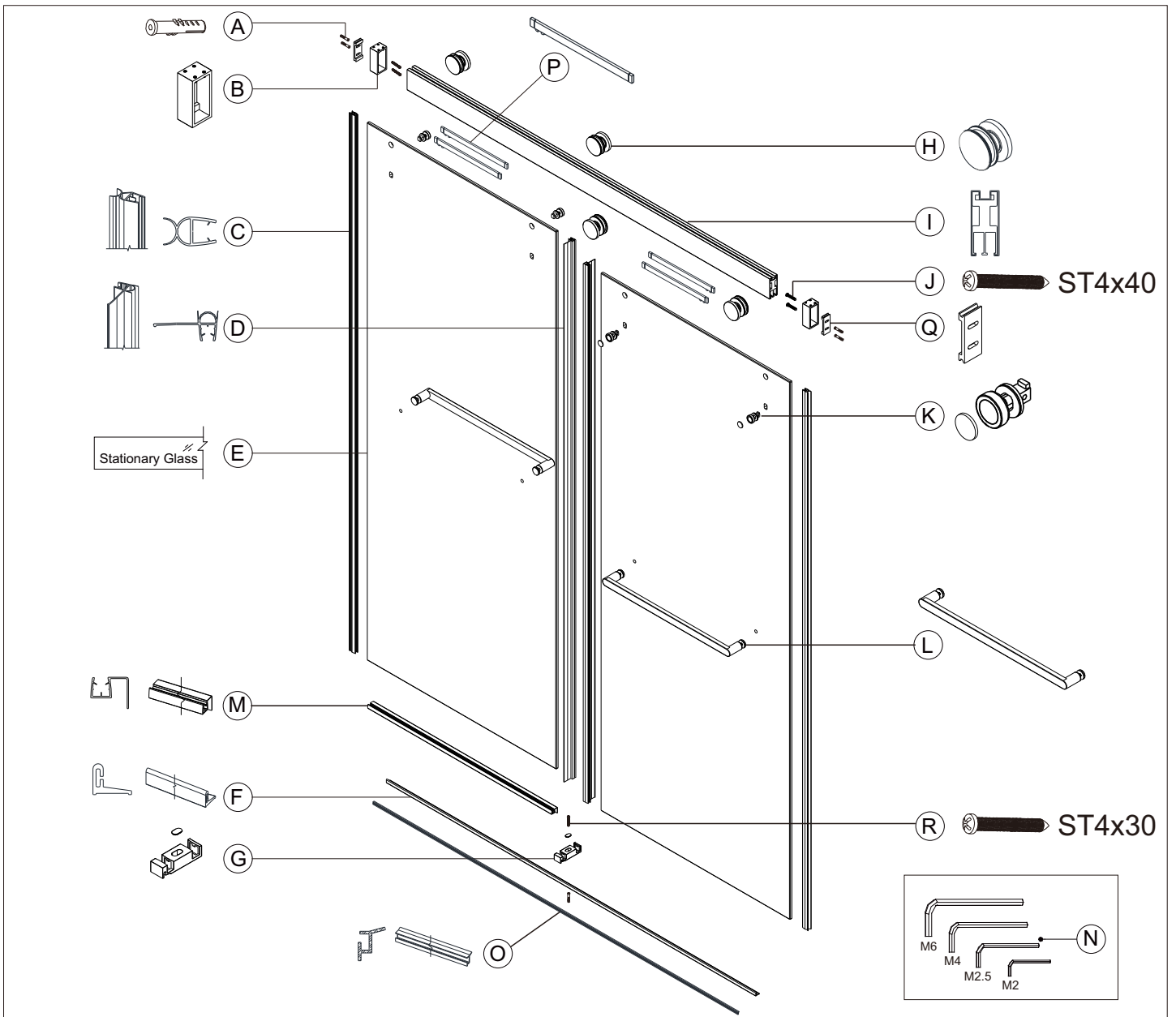
SPECIFICATIONS



Catalog

Specifications	01
Catalog	02
Exploded Views	03
Part List And Extra	04
How to Assemble a Shower Door	05

EXPLODED VIEWS

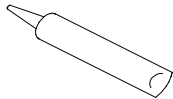


REMOVE THE SOFT PROTECTIVE FILM FROM THE GLASS BEFORE INSTALLATION

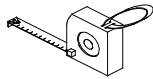
TOOLS REQUIRED



Soft Cloth
or Blanket



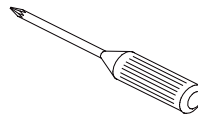
Caulk



Tape
Measure



Pencil



Phillips
Screwdriver



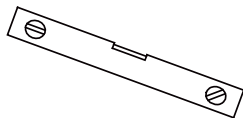
Drill Bit
(Ø=5/16'')



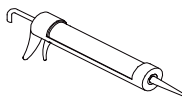
Drill Bit
(Ø=3/8'')



Safety Glass



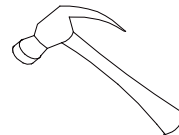
Level



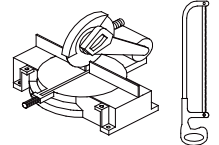
Caulk Gun



Drill




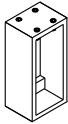


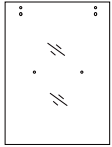
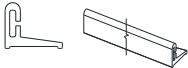
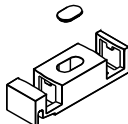
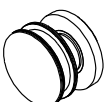


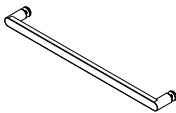
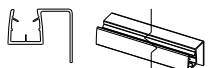
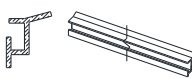
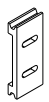
Hammer



Miter Saw
or Hacksaw

OTHER TOOLS MAY BE REQUIRED

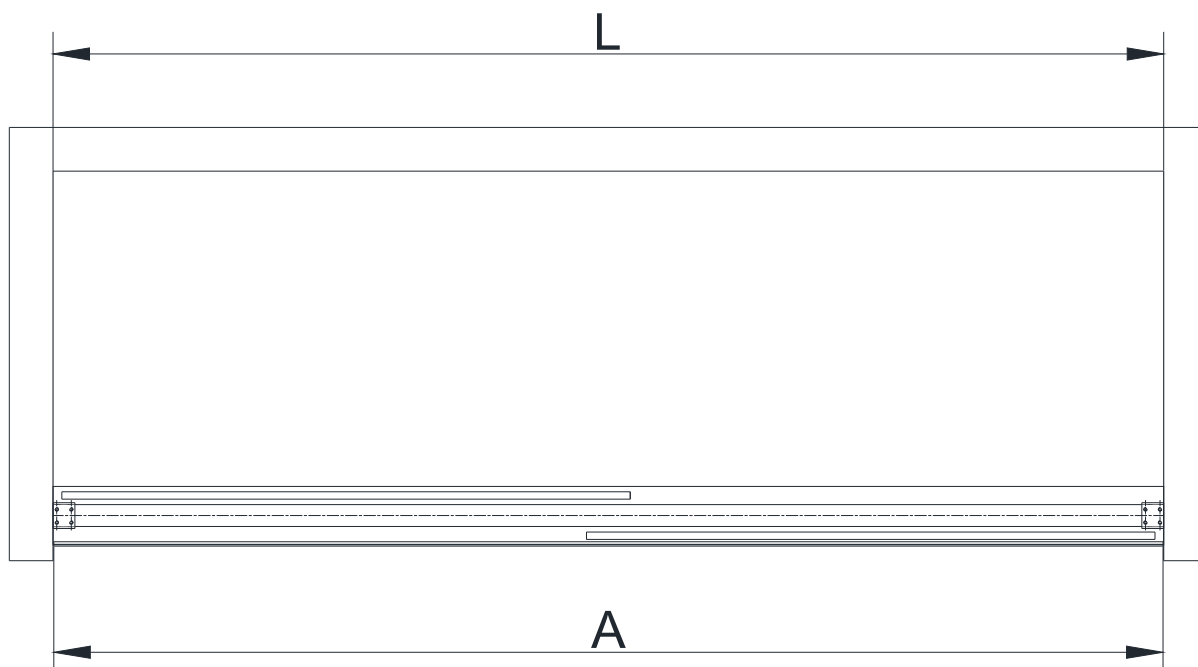
PART LIST

Parts List				
<p>A</p>  <p>35mm Wall Anchor</p>	<p>B</p>  <p>Wall bracket</p>	<p>C</p>  <p>Door seal</p>	<p>D</p>  <p>Fixed panel seal</p>	<p>E</p>  <p>Sliding door</p>
5 PCS	2 PCS	2 PCS	2 PCS	2 PCS
<p>F</p>  <p>Anti-splash threshold</p>	<p>G</p>  <p>Guide block</p>	<p>H</p>  <p>Roller</p>	<p>I</p>  <p>Rail</p>	<p>J</p>  <p>ST4x40</p>
1 PCS	1 PCS	4 PCS	1 PCS	4 PCS
<p>K</p>  <p>Anti-jumping knob</p>	<p>L</p>  <p>Towel bar</p>	<p>M</p>  <p>Lower cross tape</p>	<p>N1</p>  <p>M5 Allen key</p>	<p>N2</p>  <p>M4 Allen key</p>
4 PCS	2 PCS	1 PCS	1 PCS	1 PCS
<p>N3</p>  <p>M2.5 Allen key</p>	<p>N4</p>  <p>M2 Allen key</p>	<p>O</p>  <p>Lower water retaining tape</p>	<p>P</p>  <p>Buffer (optional)</p>	<p>Q</p>  <p>Wall mounting</p>
1 PCS	1 PCS	1 PCS	4 PCS	2 PCS
<p>R</p>  <p>ST4x30</p>				
1 PCS				

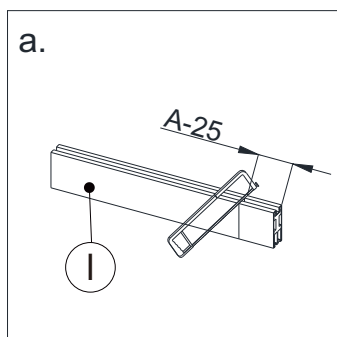
How to Assemble a Shower Door

REMOVE THE SOFT PROTECTIVE FILM FROM THE GLASS BEFORE INSTALLATION

Step 1: Measure the height of the shower to fit the door frame(1) Measure the wall width of your shower. If your wall-to-wall opening is equal to the size of your shower model (60" or 72"), it is unnecessary to cut the Guide Rail. If it is less than your shower model, you will need to cut the Guide Rail to the length of your shower model.

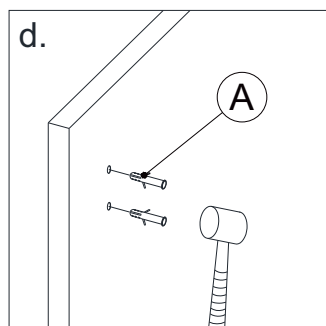
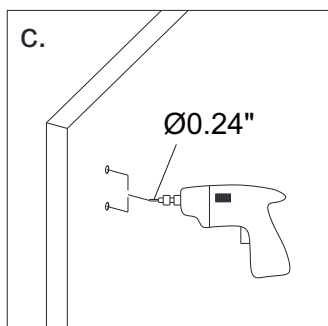
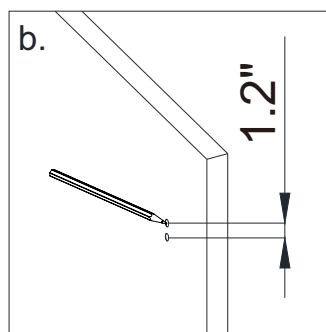
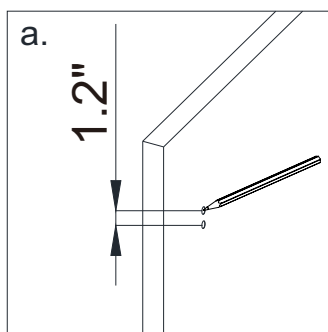
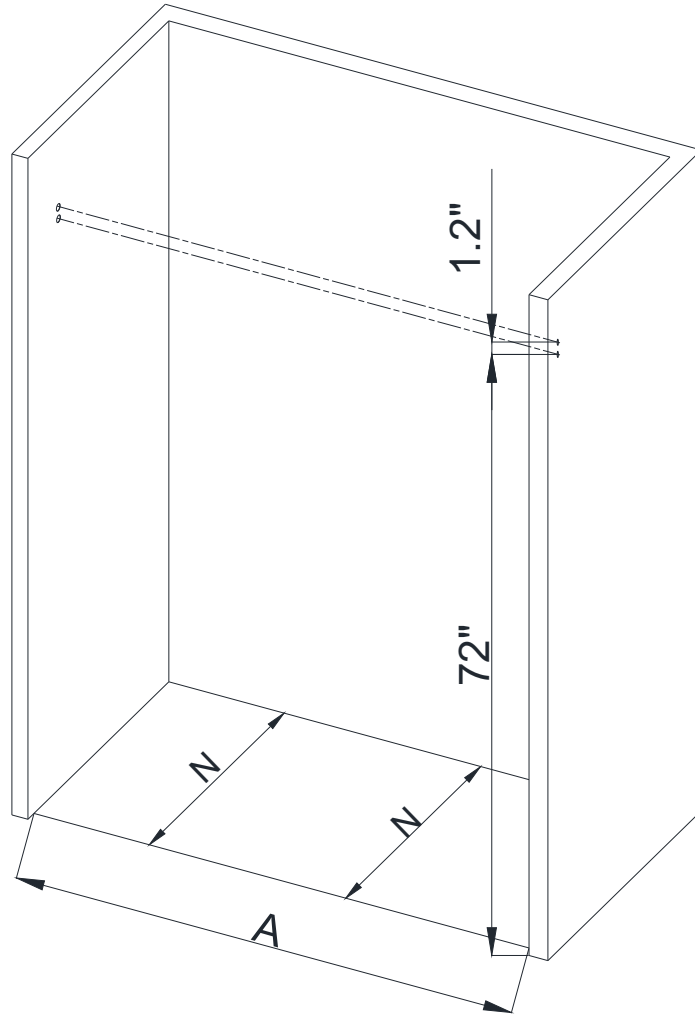


L	A(inches")
60"	59.6-60"
70"	71.6-72"



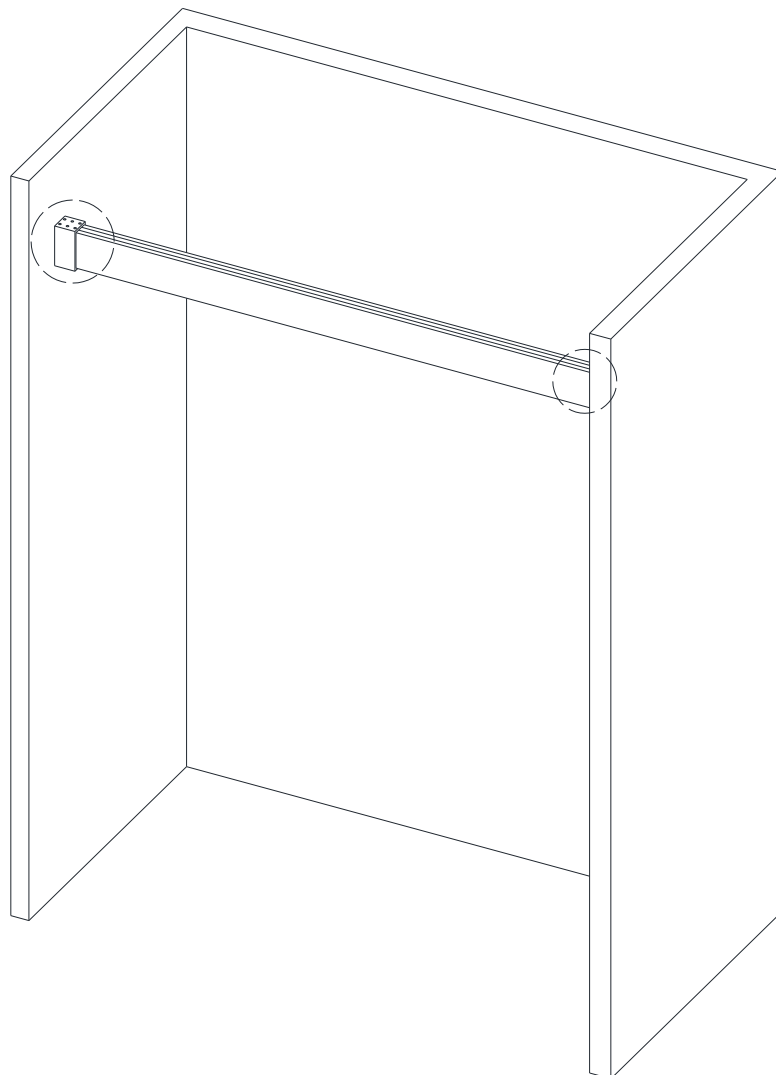
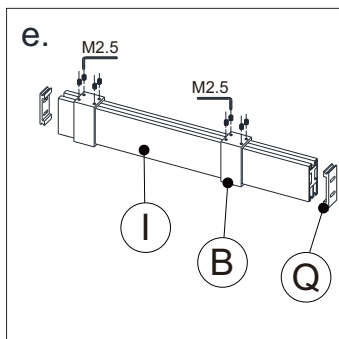
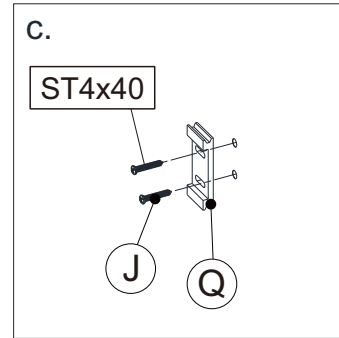
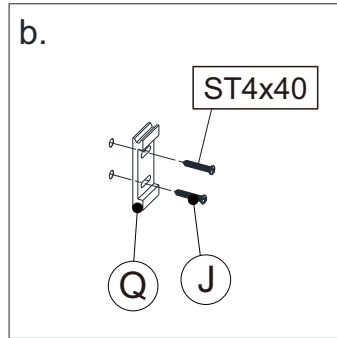
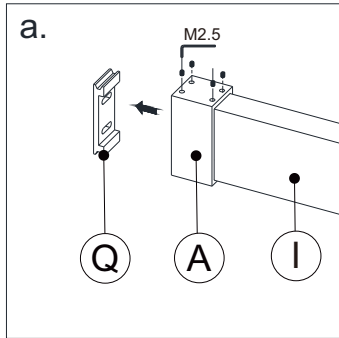
Installation steps

Step 2: Drill a hole in a fixed position, and insert the wall anchors.



Installation steps

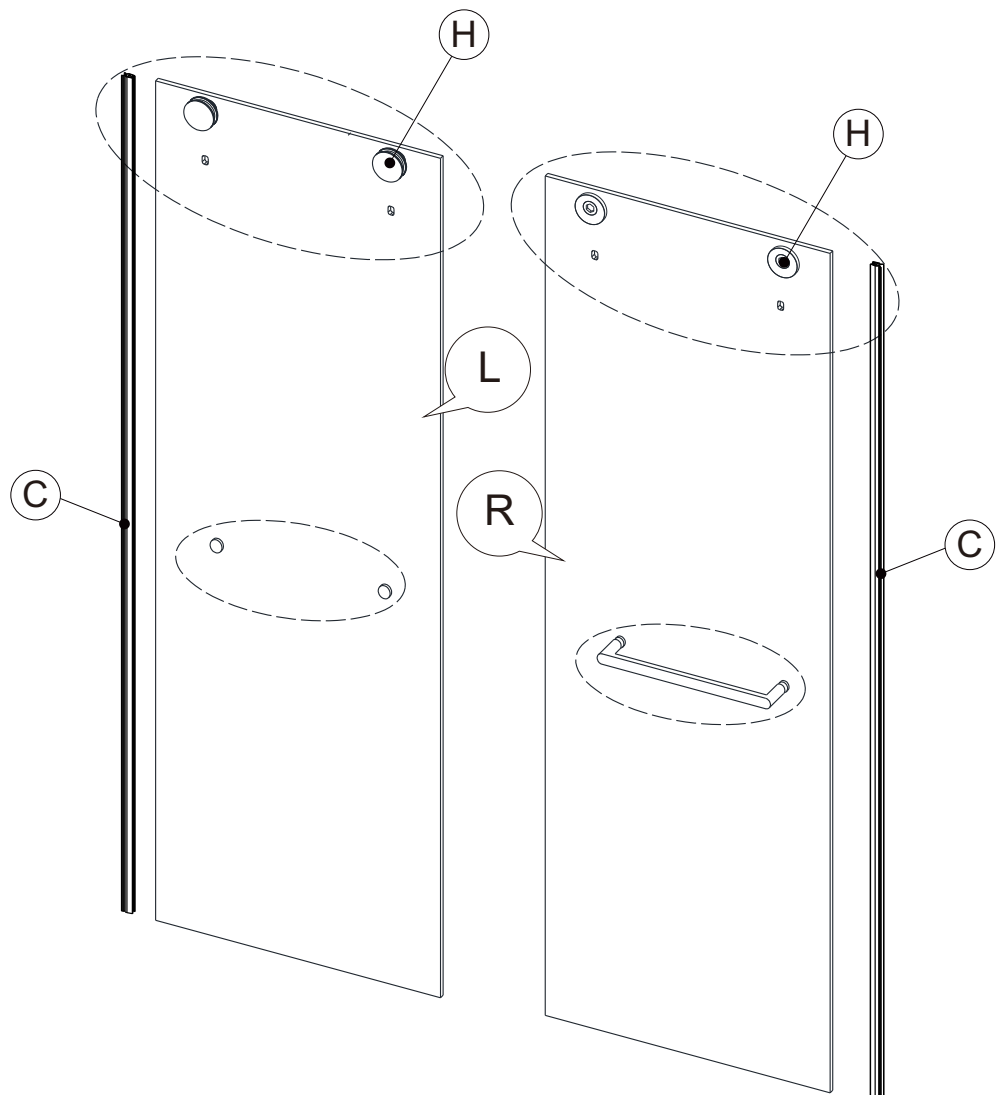
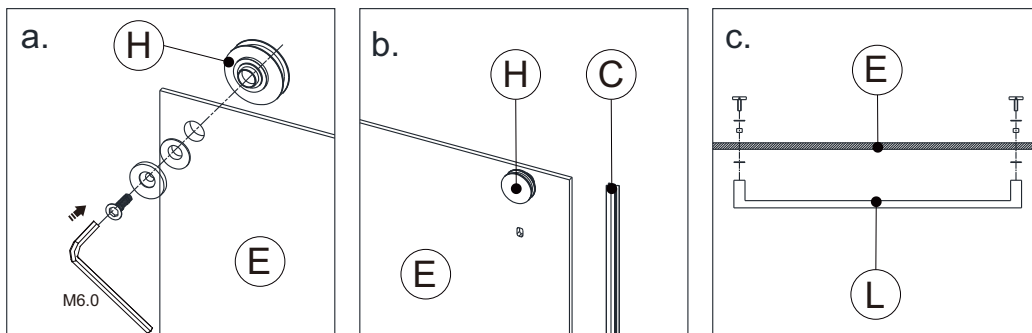
Step 3: Place the bracket on the guide rail and tighten the screw slightly (1) And make sure the hooks on both walls are the same height (2) Hang the guide rail on the wall (3) Tighten the screws on both sides (4)



Installation steps

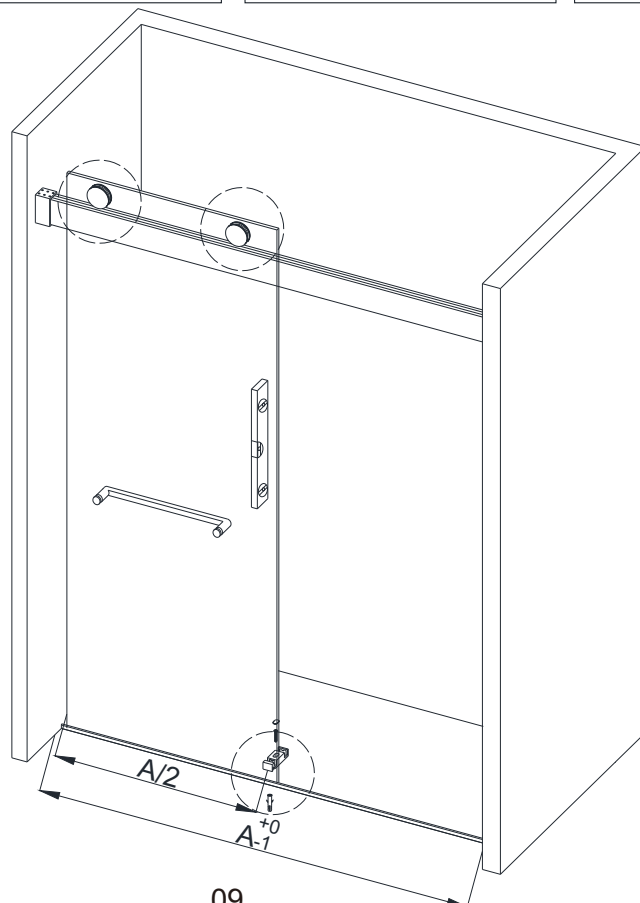
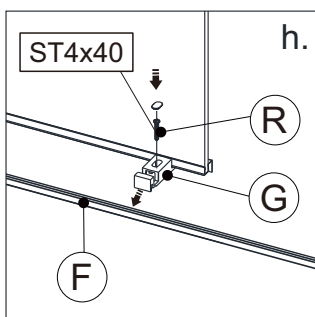
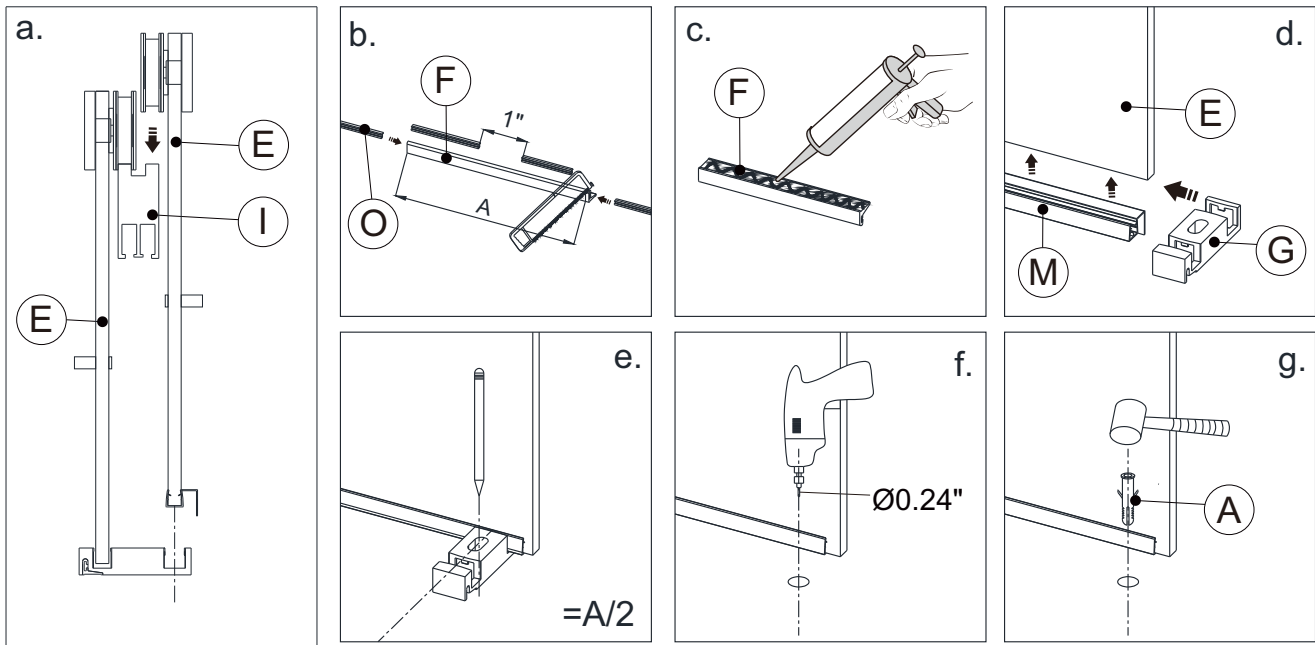
Step 4: Align the rollers with the mounting holes on the top of the door and tighten the screws(1) Install side seals for door frames(2) Install two door handles(3)

Attention: Mount the left door rollers inward and the right door rollers outward. Install the left door handle inward; the right door handle comes pre-installed from the factory.



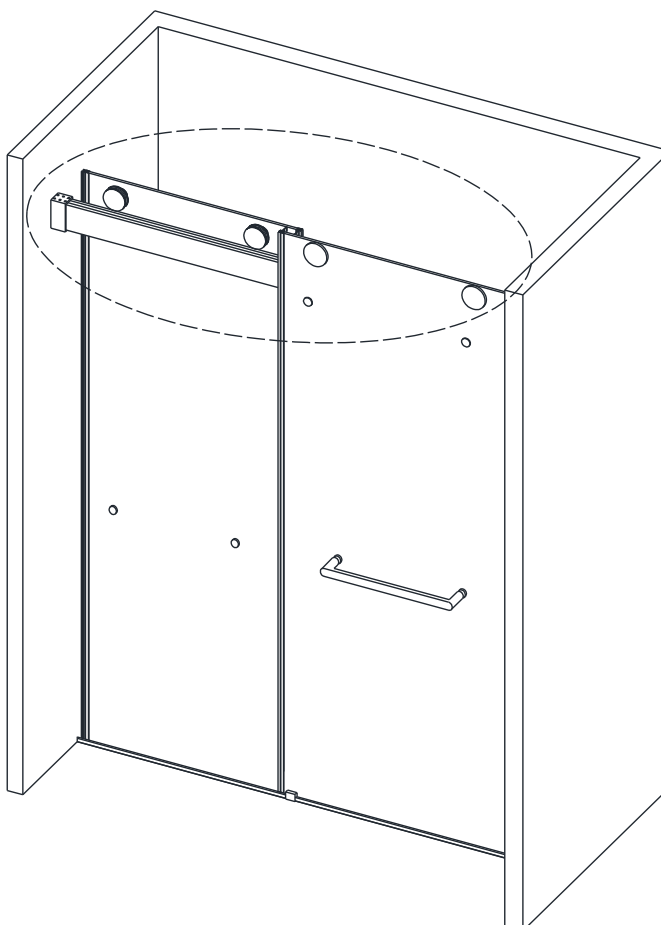
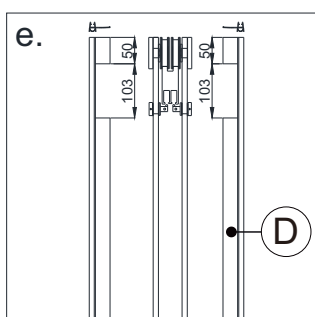
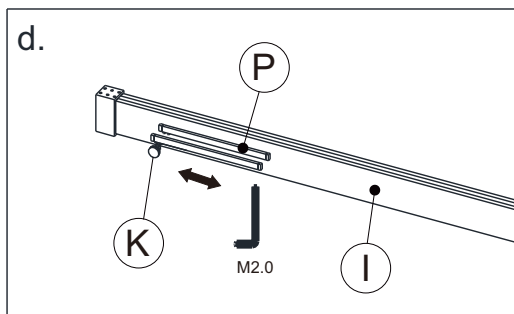
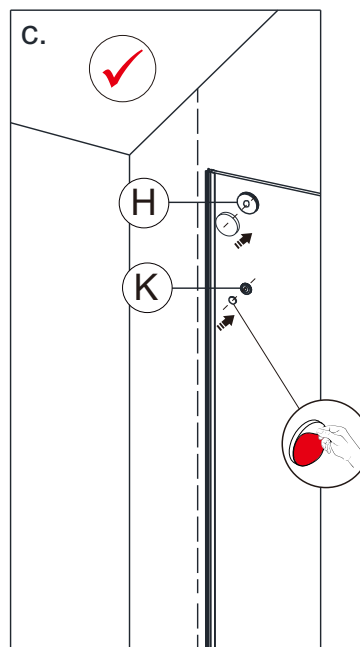
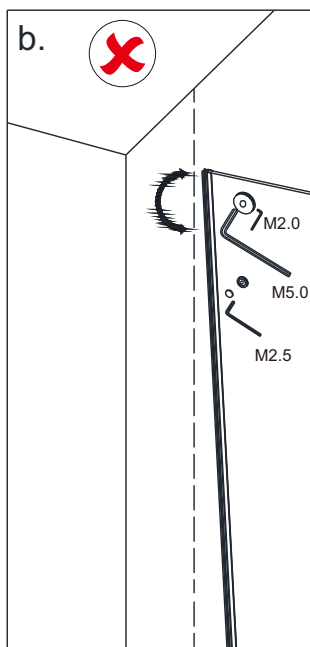
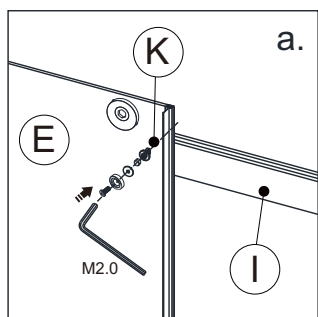
Installation steps

Step 5: Hang the door on the Guide Rail, making sure the sticker side is facing inwards as the glass inside has an easy-to-clean coating(1) Turn the wrench clockwise or counterclockwise to adjust the height of the roller and tighten it(2) Locate the hole and insert the wall anchor. Place the guide block in the middle and secure it(3) Install a splash barrier at the bottom and seal with a ring of sealant(4) Fix the guide block and cover it(5)



Installation steps

Step 6: The Anti-jumping Knob is arranged in the middle of the buffer device(1)Adjust Anti-jumping Knob to proper height(2)Adjust Anti-jumping Knob to proper height(3)Remove the film from the back of the lid and attach it to the Knob(4)Cover with a roller(5)Install two sealing, strips in the middle of the door frame cut the gap according to the drawing size(6)



Installation steps

Step 7: Apply silicone sealant on the seams between the stationary glass and the shower base/bathtub, and between the wall and the stationary glass.

Attention: After installation is complete, check whether the shower door slides properly.

