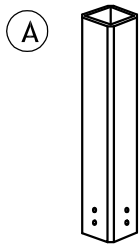


ASSEMBLY INSTRUCTIONS

Read this instruction carefully. Refer hardware and furniture parts list for guidance. Be sure all parts are complete before assembling. Place all wooden furniture parts on a clean and flat soft surface to prevent scratches. Refer steps provides as assembling guide.

PART LIST		
ITEM	DESCRIPTION	QTY
A	Pedestal	1 PC
B	Empire Leg	4 PCS
C	Cross Bar	1 SET
D	Table Top	1 PC

HARDWARE LIST		
ITEM	DESCRIPTION	QTY
1	JCBC Screw M6 x 40mm	4 PCS
2	Flat Washer M8 x 22mm	4 PCS
3	Allen Key Small M4 x 55	1 PC
4	CSK Screw M4 x 32mm	8 PCS
5	Hex Nut M8 x 22mm	4 PCS
6	Adjuster M6 x 23mm	4 PCS
7	Spanner 12.8mm	1 PC
8	Spring Washer M8 x 14mm	4 PCS



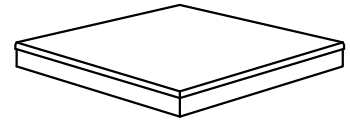
(B)



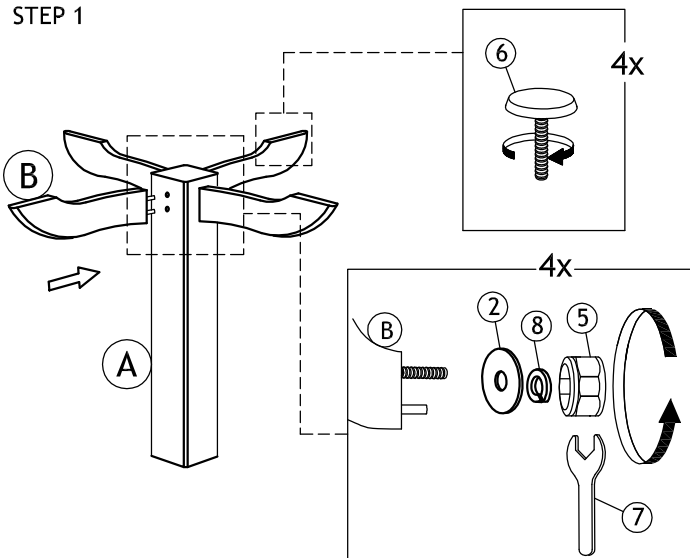
(C)



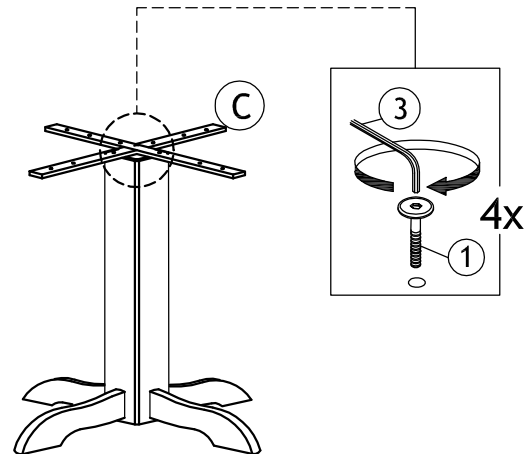
(D)



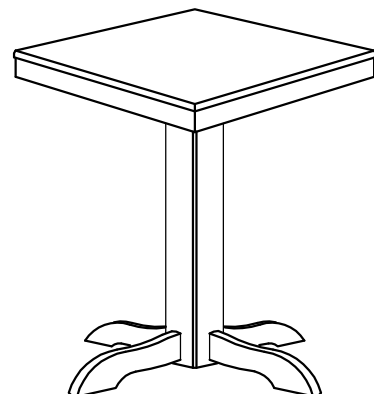
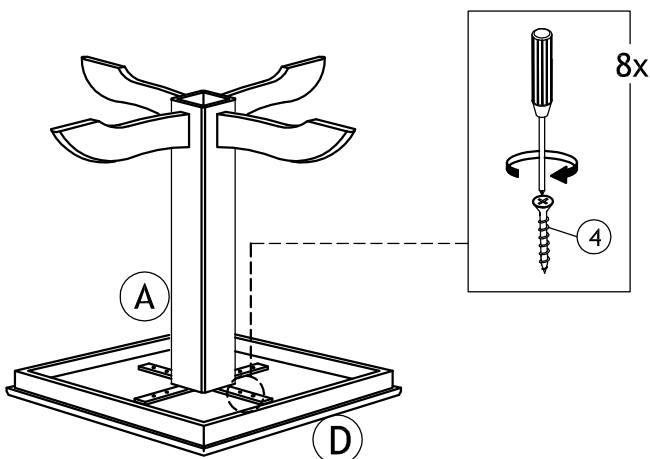
STEP 1



STEP 2



STEP 3



COMPLETED ASSEMBLY