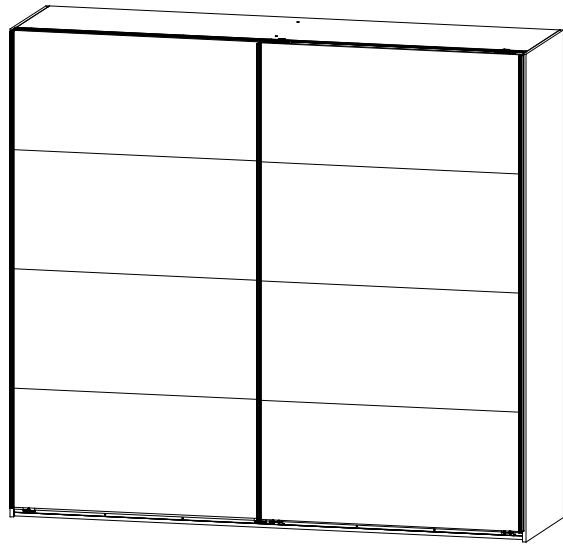
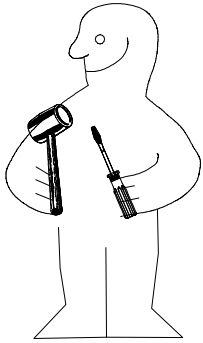
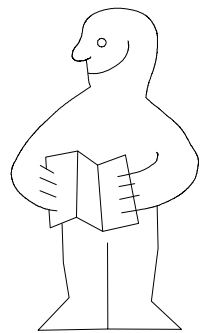
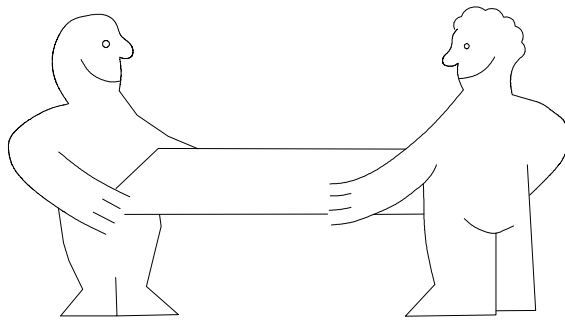
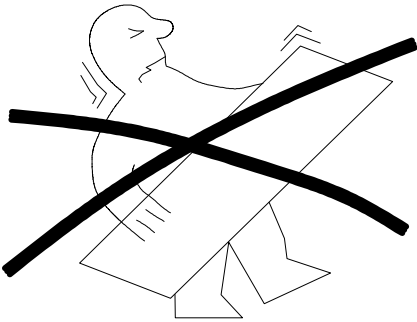


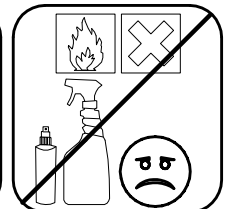
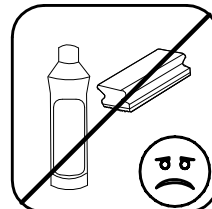
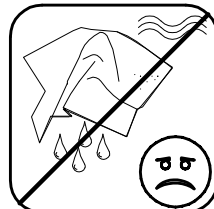
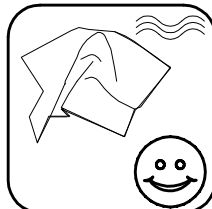
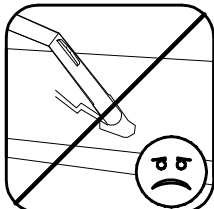
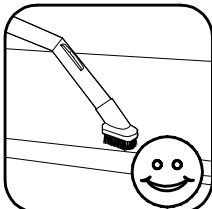
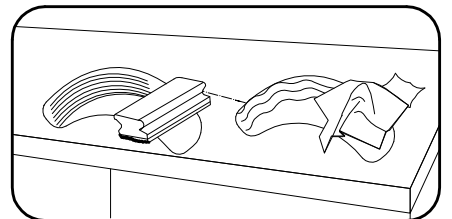
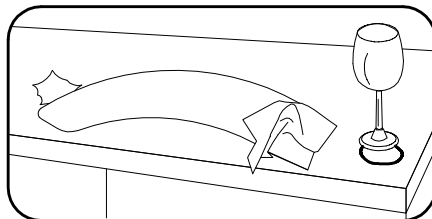
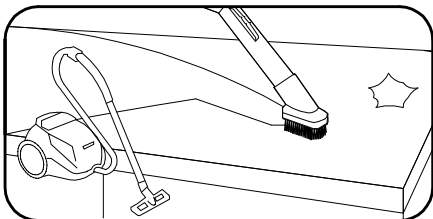
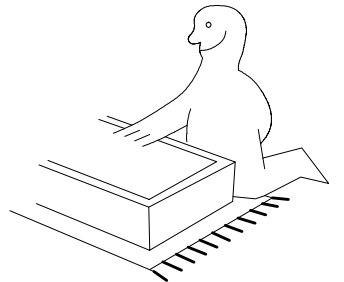
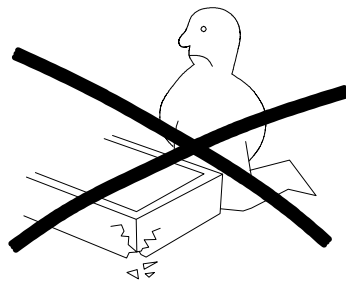
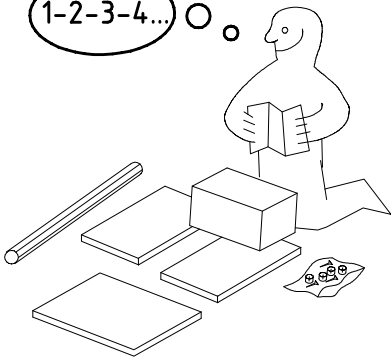
980864



H 225 1MS



1-2-3-4... ○ ○

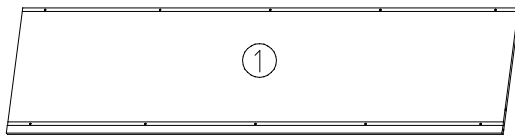
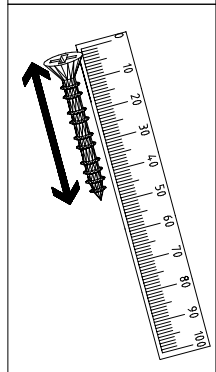
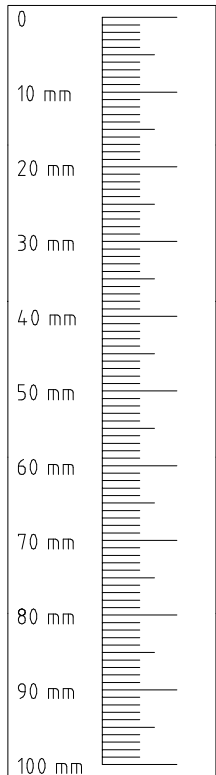
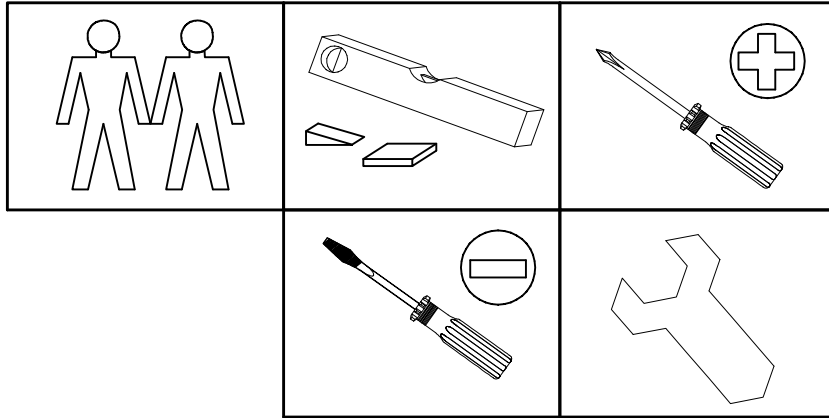


980864

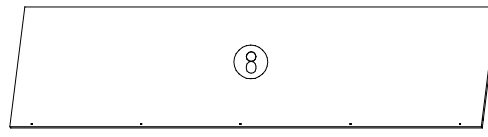
12.12.12 / 01.09.22

09 22

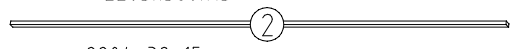
1/16



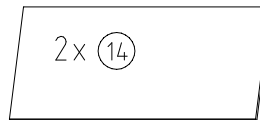
2205x560x15



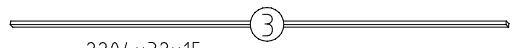
2205x560x15



2204x32x15

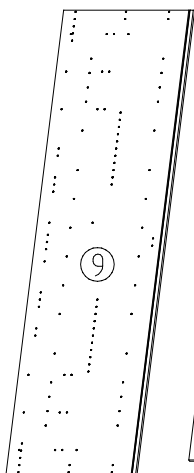


2x 14

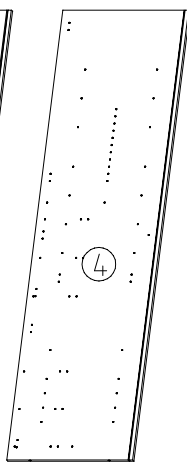


2204x32x15

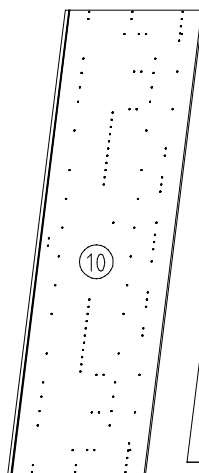
1095x500x18



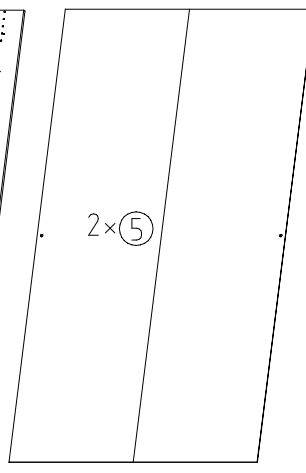
9



4



10



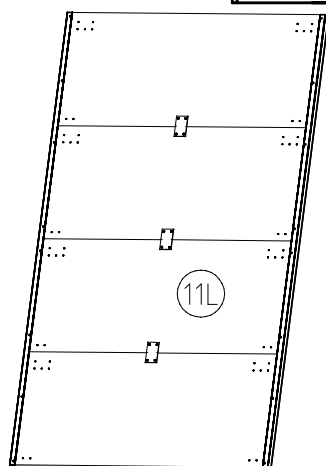
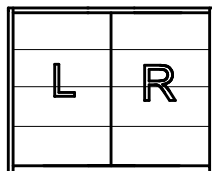
2x 5

2064x577x15

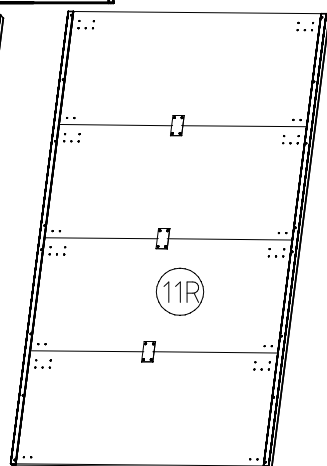
2001x560x15

2064x607x15

2015x1104x2,5



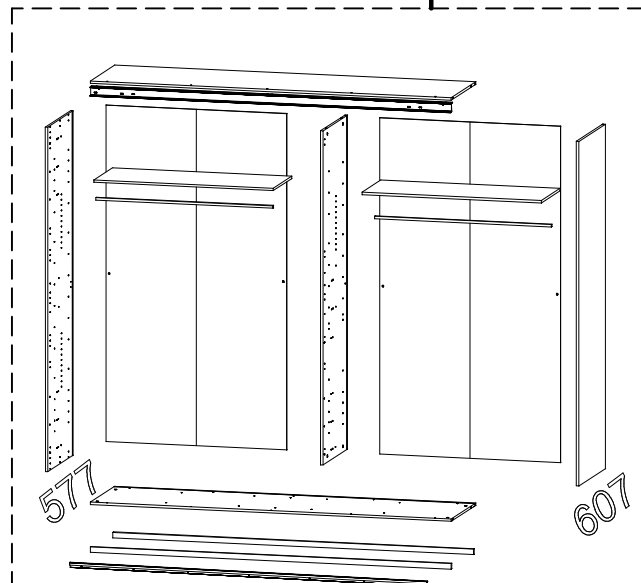
11L



11R

2018x1135x15

2018x1135x15

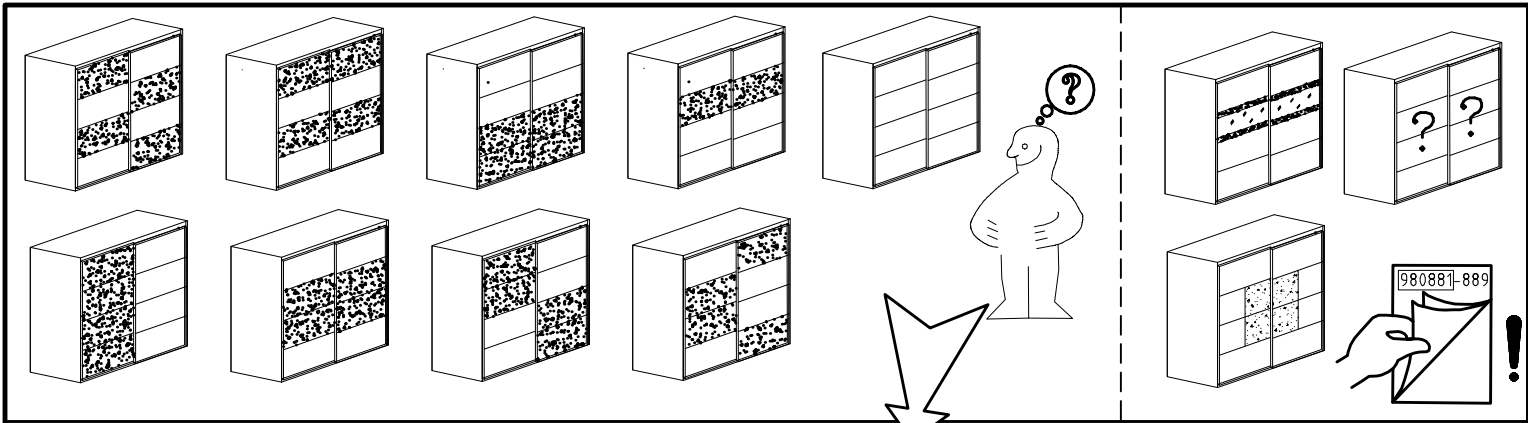


980864

12.12.12 / 01.09.22

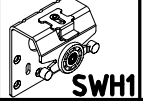
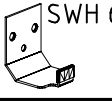
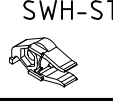




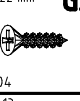


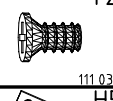
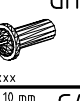

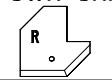
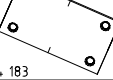

09 22

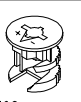
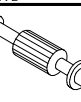
2/16

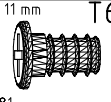
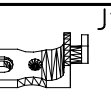




1x
FPN
1316/1760
2204/2648/3092/3536


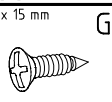
1x
LP
1316/1760
2204/2648/3092/3536

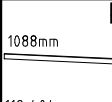
 SWH1	2x	 SWH 6	2x	 SWH-ST	2x	 SP13 4 X 13mm	65x
 SWH2	1x	 SWH 7	2x	 SWH-MS 6,3 x 10,5 mm T2	2x	 G24 3,5 x 22 mm	9x
 SWH3	1x	 SWH-SKL	1x	 111 030	24x	 GH13 M4 x 13 mm	5x
 SWH-D	1x	 SWH-SKR	1x	 114 183	6x	 121 xxx M4 x 10 mm	5x

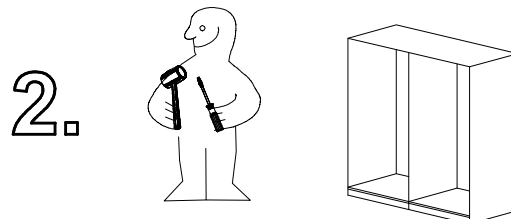
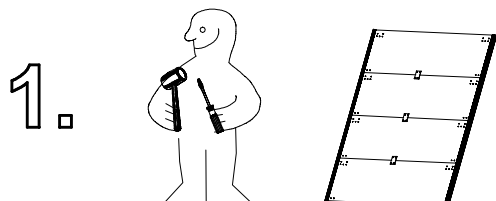
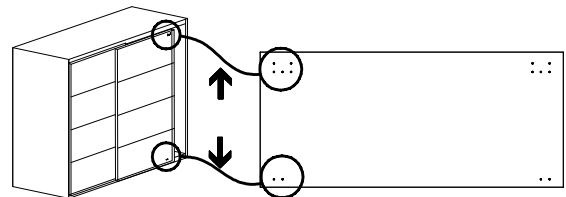
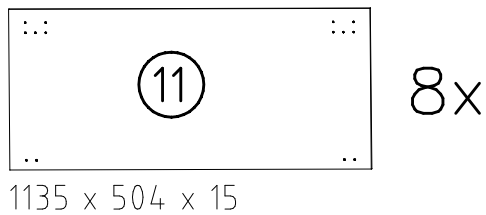
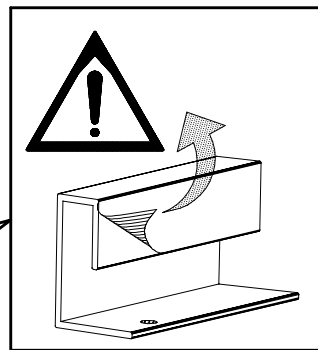
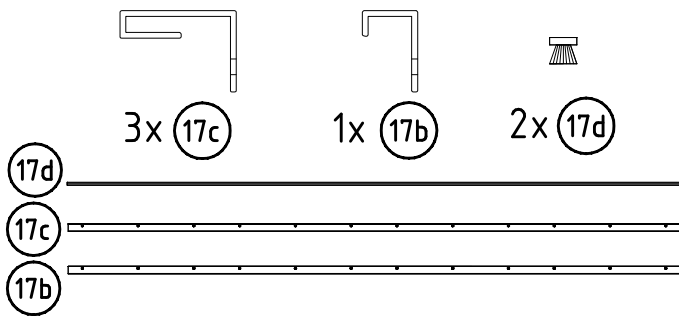
 A	12x
 C	12x

 M6 x 11 mm T6	4x
 J1	4x

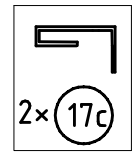
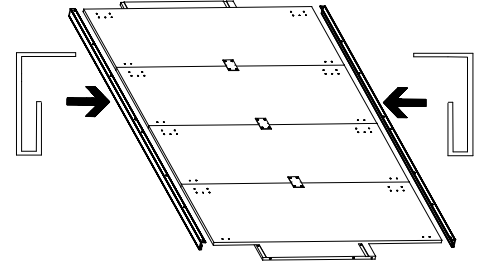
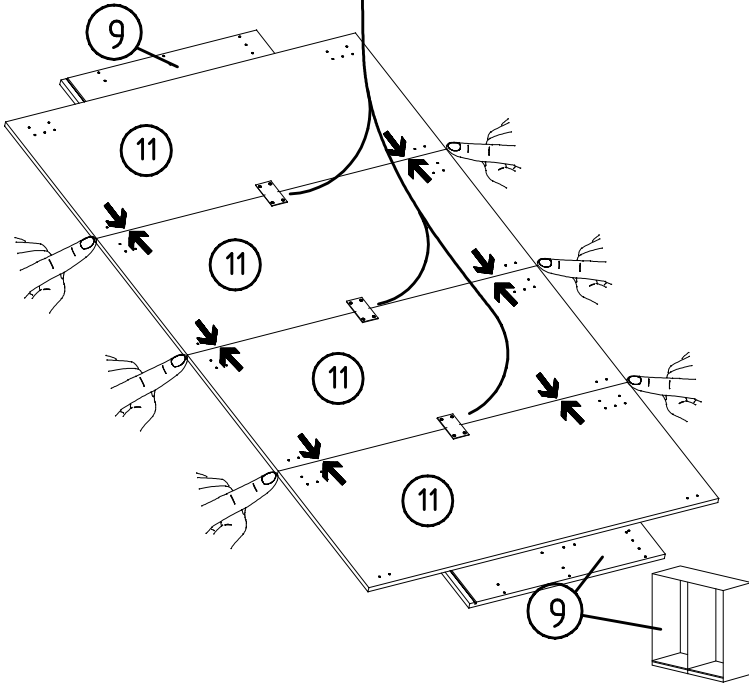
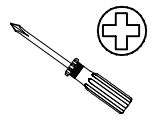
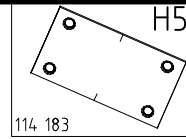
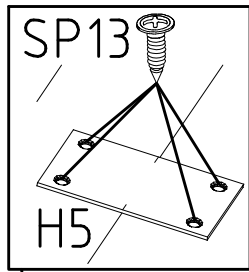
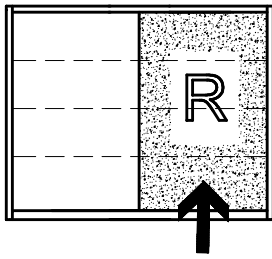
 L7	8x
 K1	4x

 3,5 x 35 mm G14	10x
 3,5 x 15 mm G1	8x

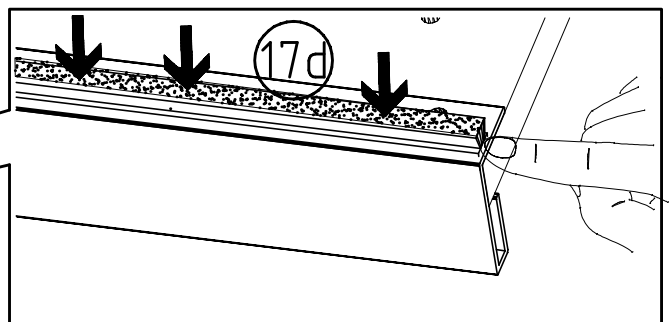
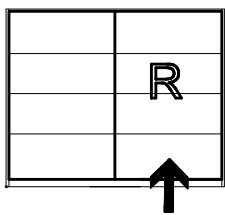
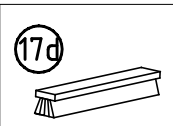
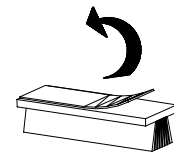
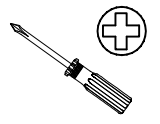
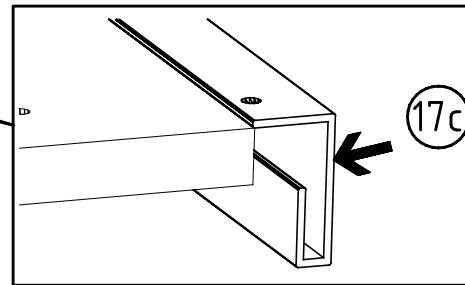
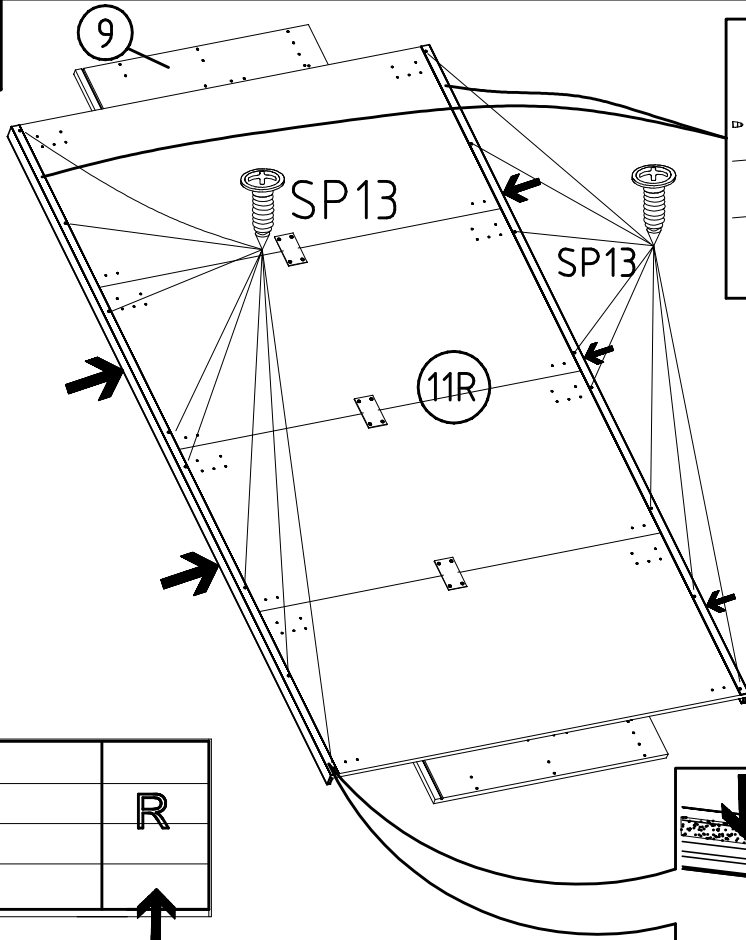
 K22 1088mm	2x
---	----



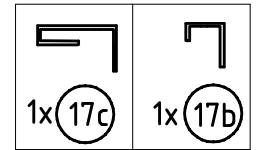
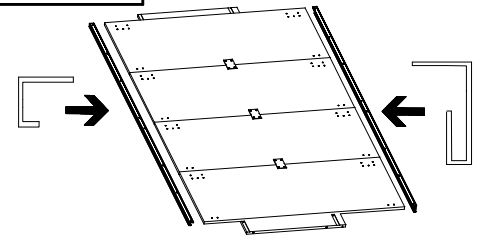
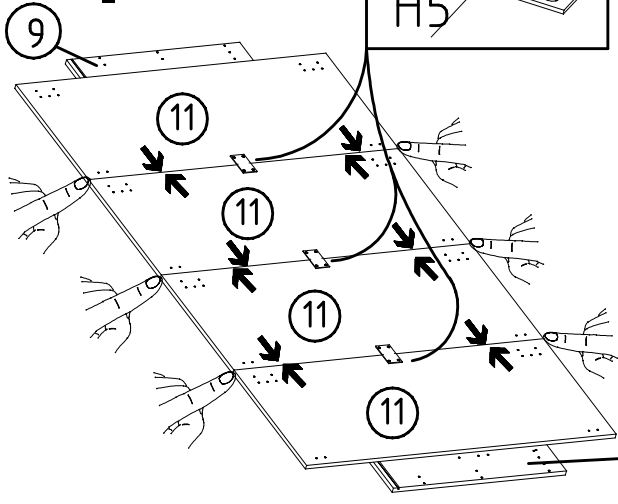
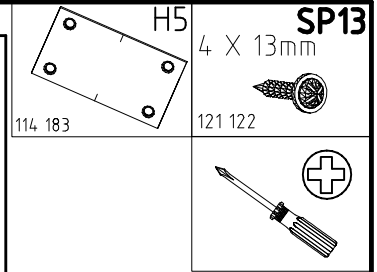
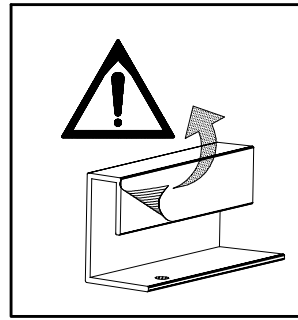
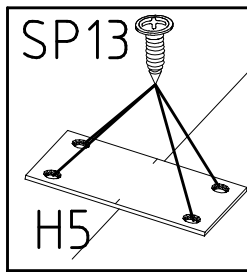
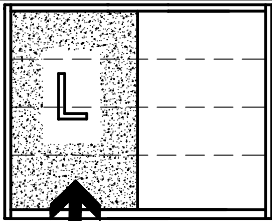
1



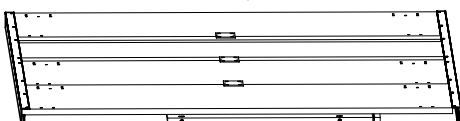
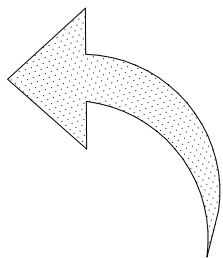
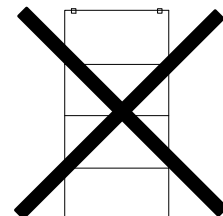
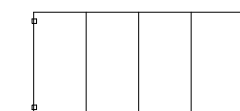
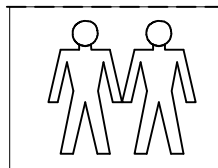
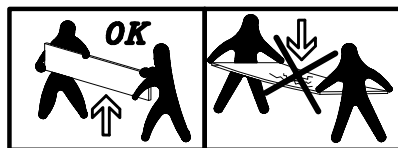
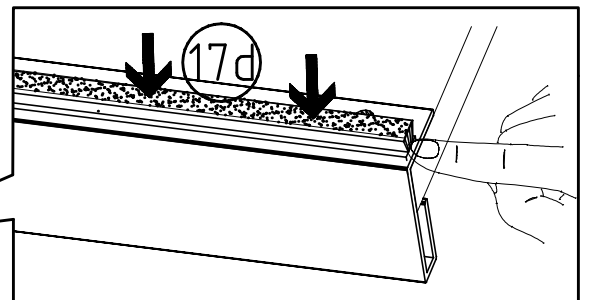
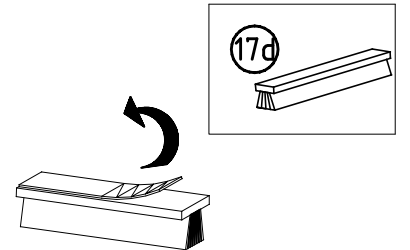
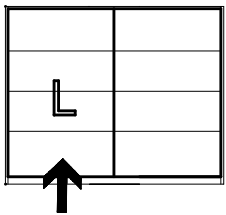
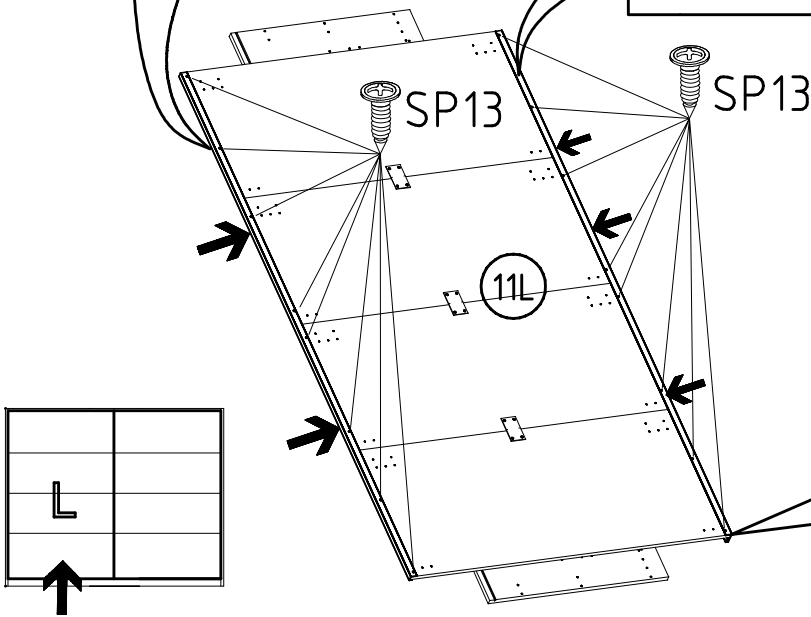
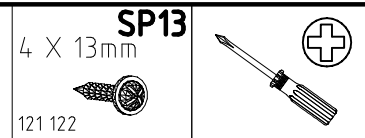
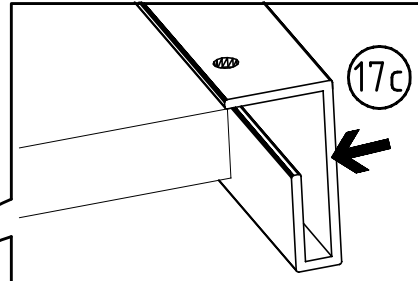
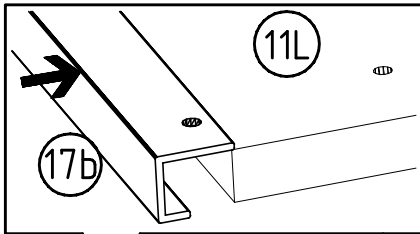
2



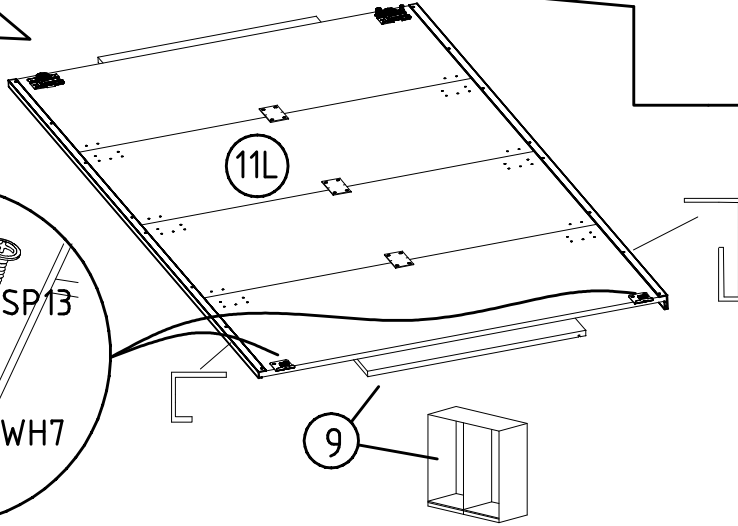
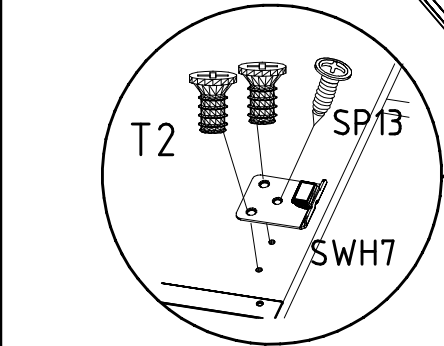
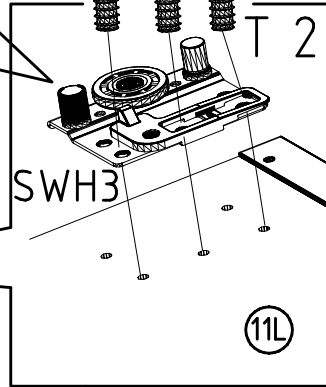
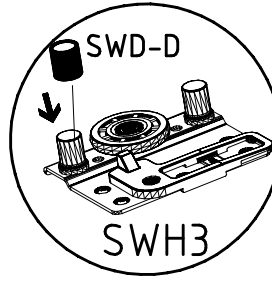
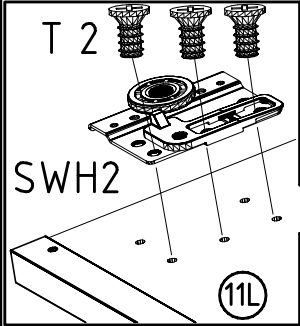
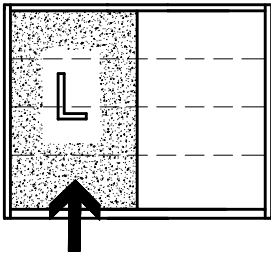
3



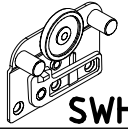
4



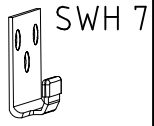
5



SWH2



SWH3



SWH7



SWH-D

6,3 x 10,5 mm T2



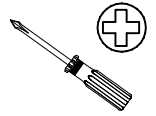
111 030

SP13

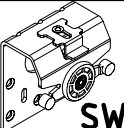
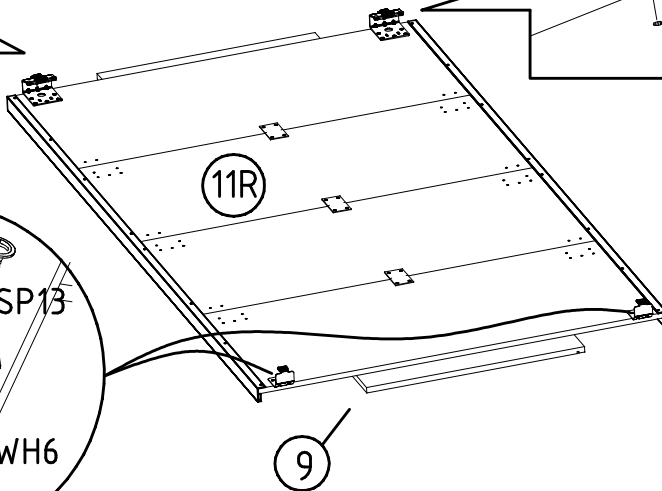
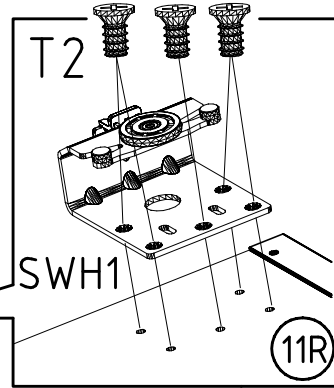
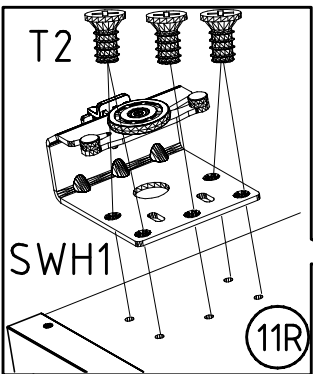
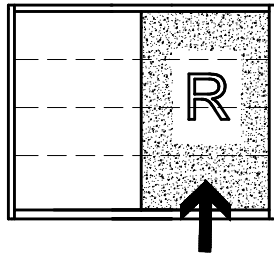
4 X 13mm



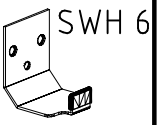
121 122



6



SWH1



SWH6

6,3 x 10,5 mm T2



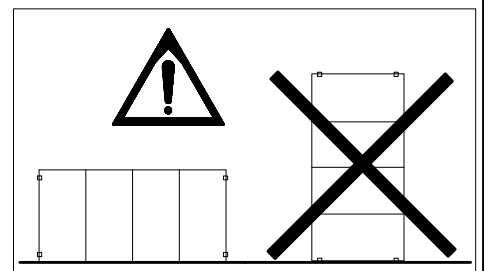
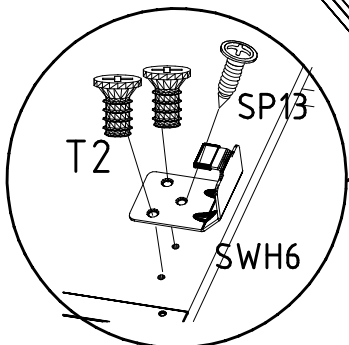
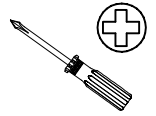
111 030

SP13

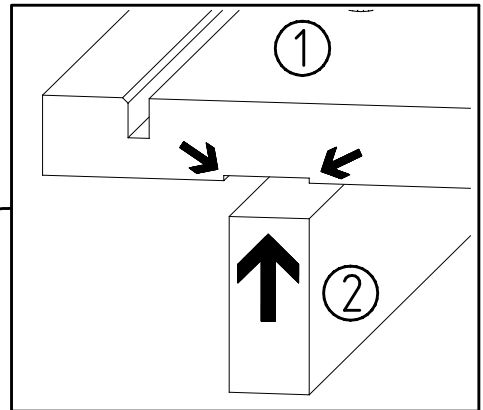
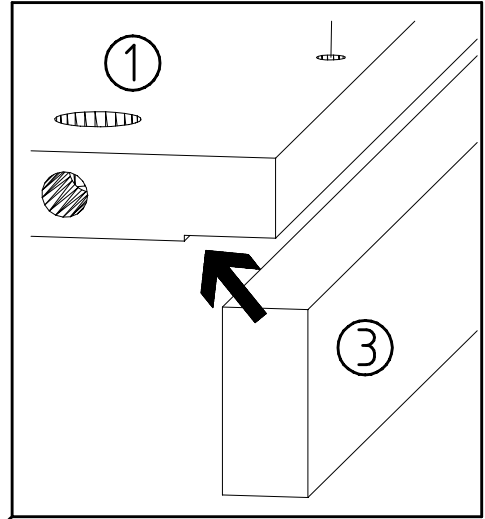
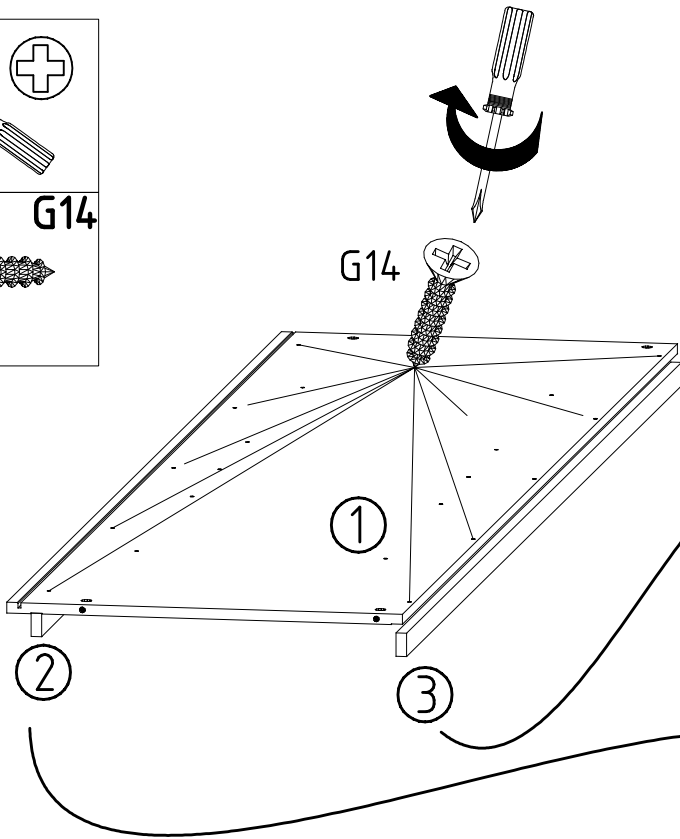
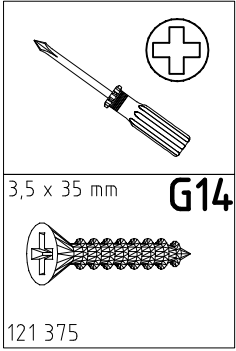
4 X 13mm



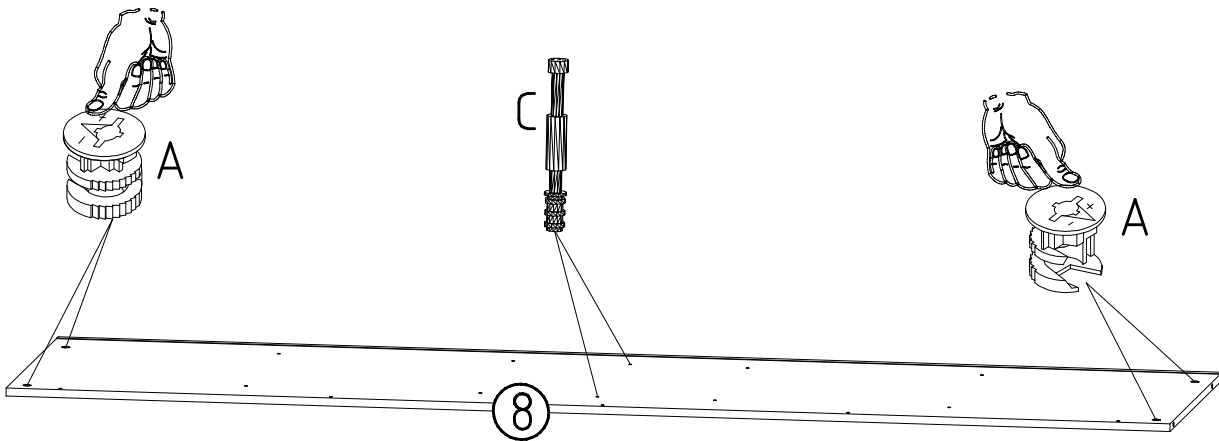
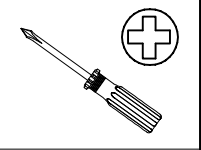
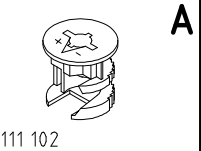
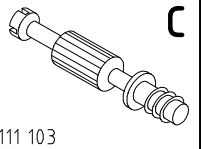
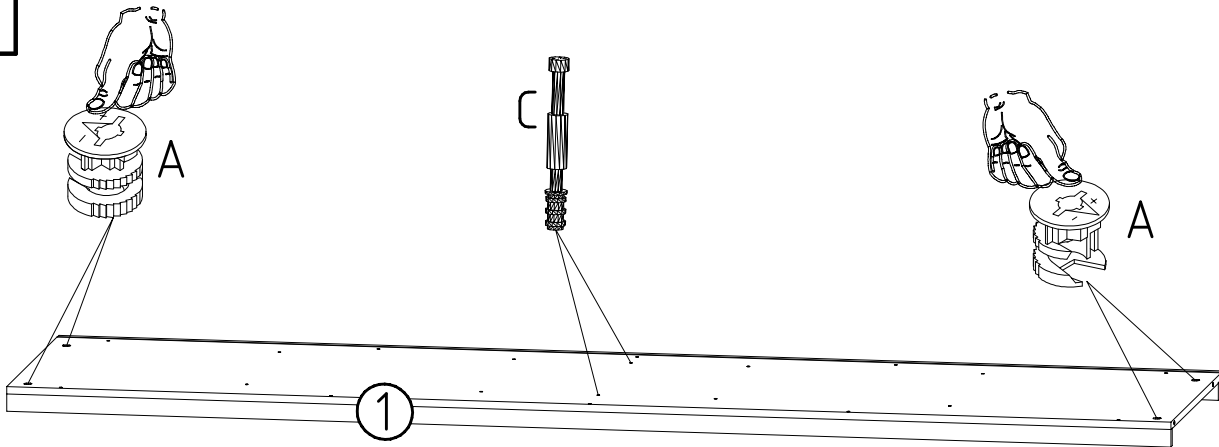
121 122



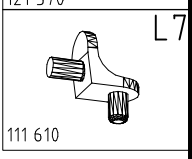
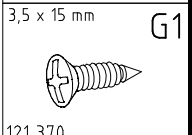
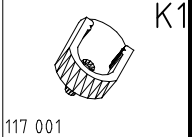
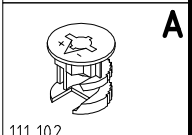
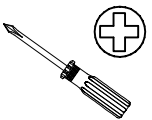
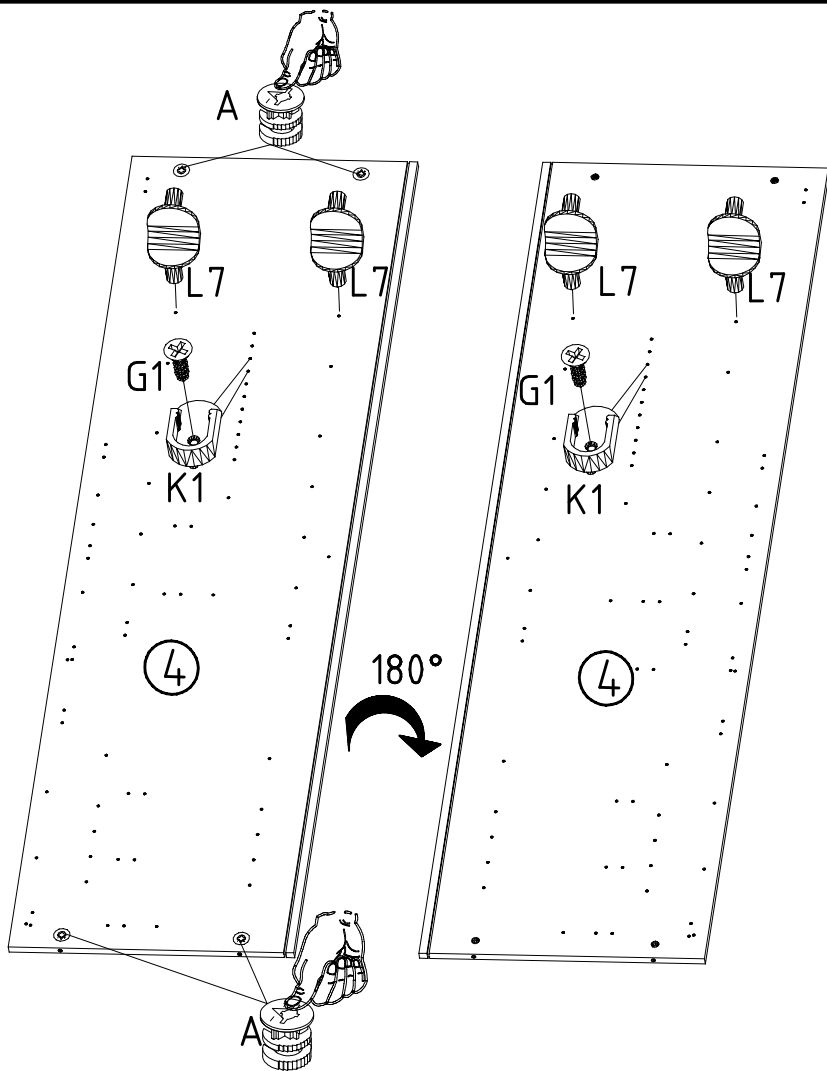
7



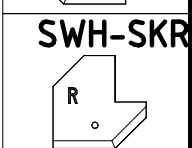
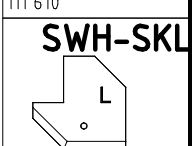
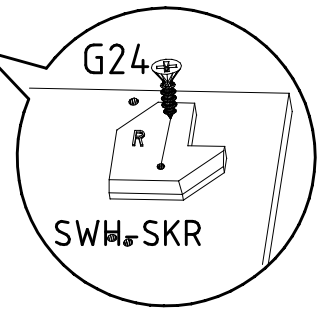
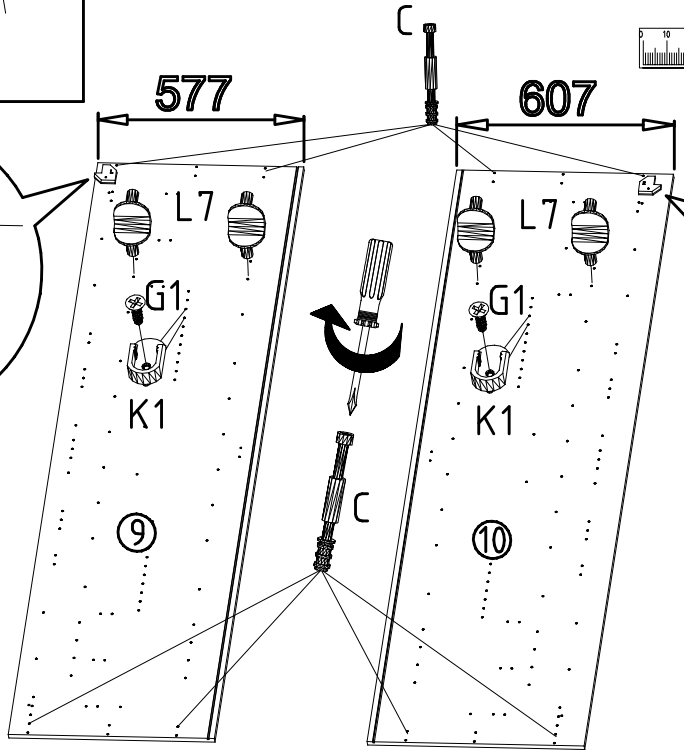
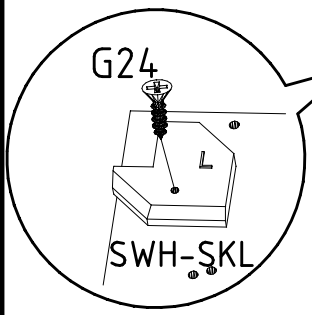
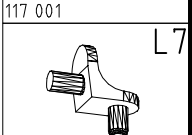
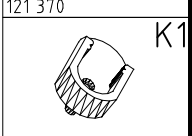
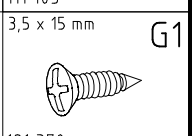
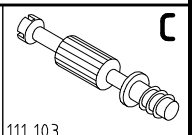
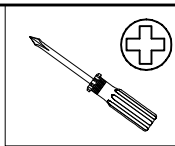
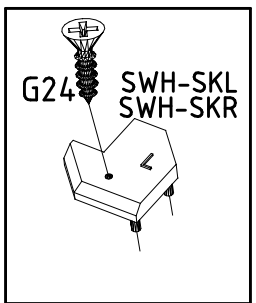
8



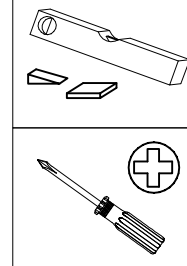
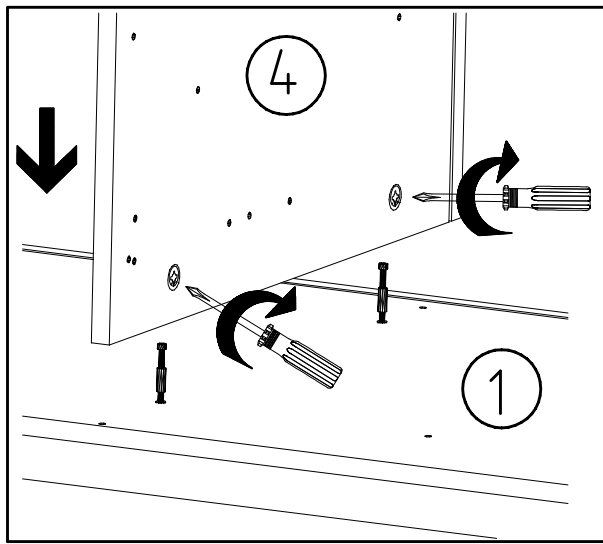
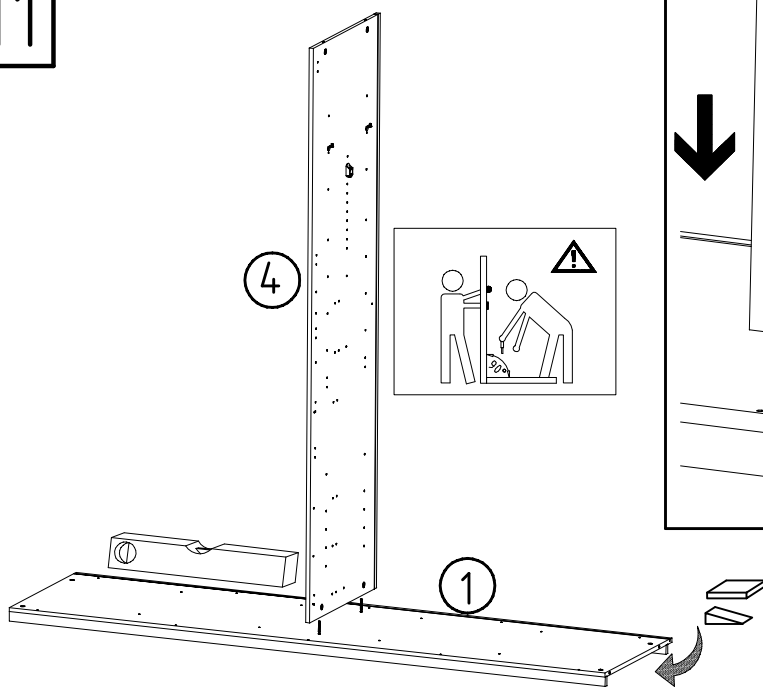
9



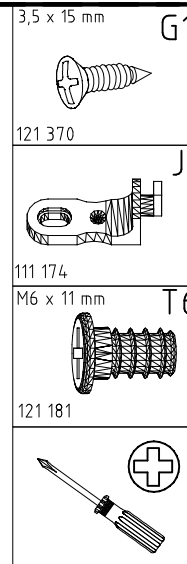
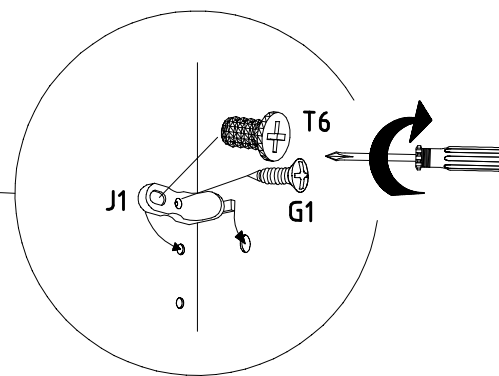
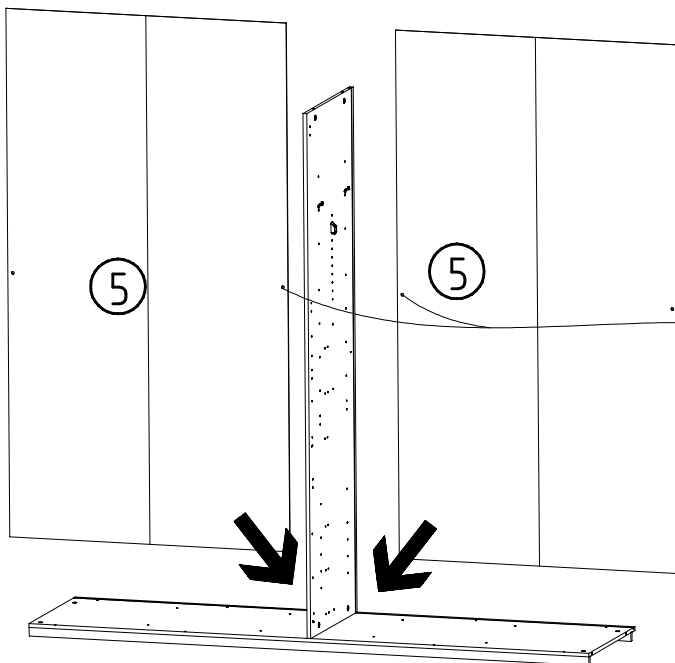
10



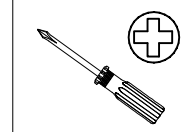
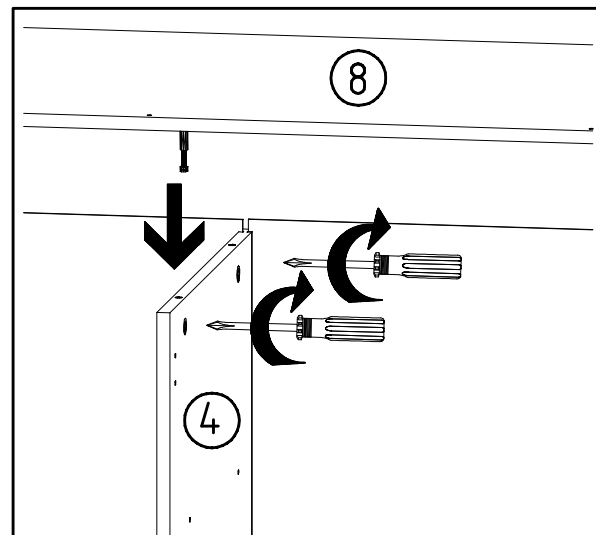
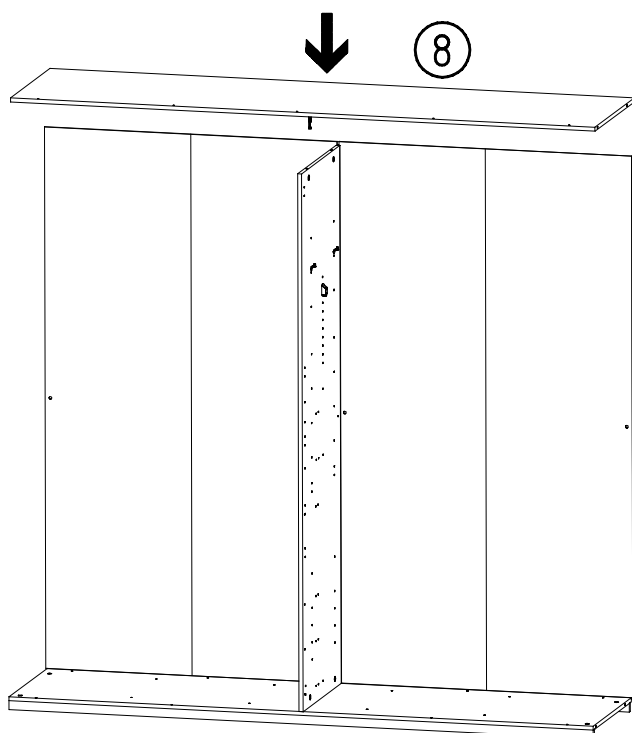
11

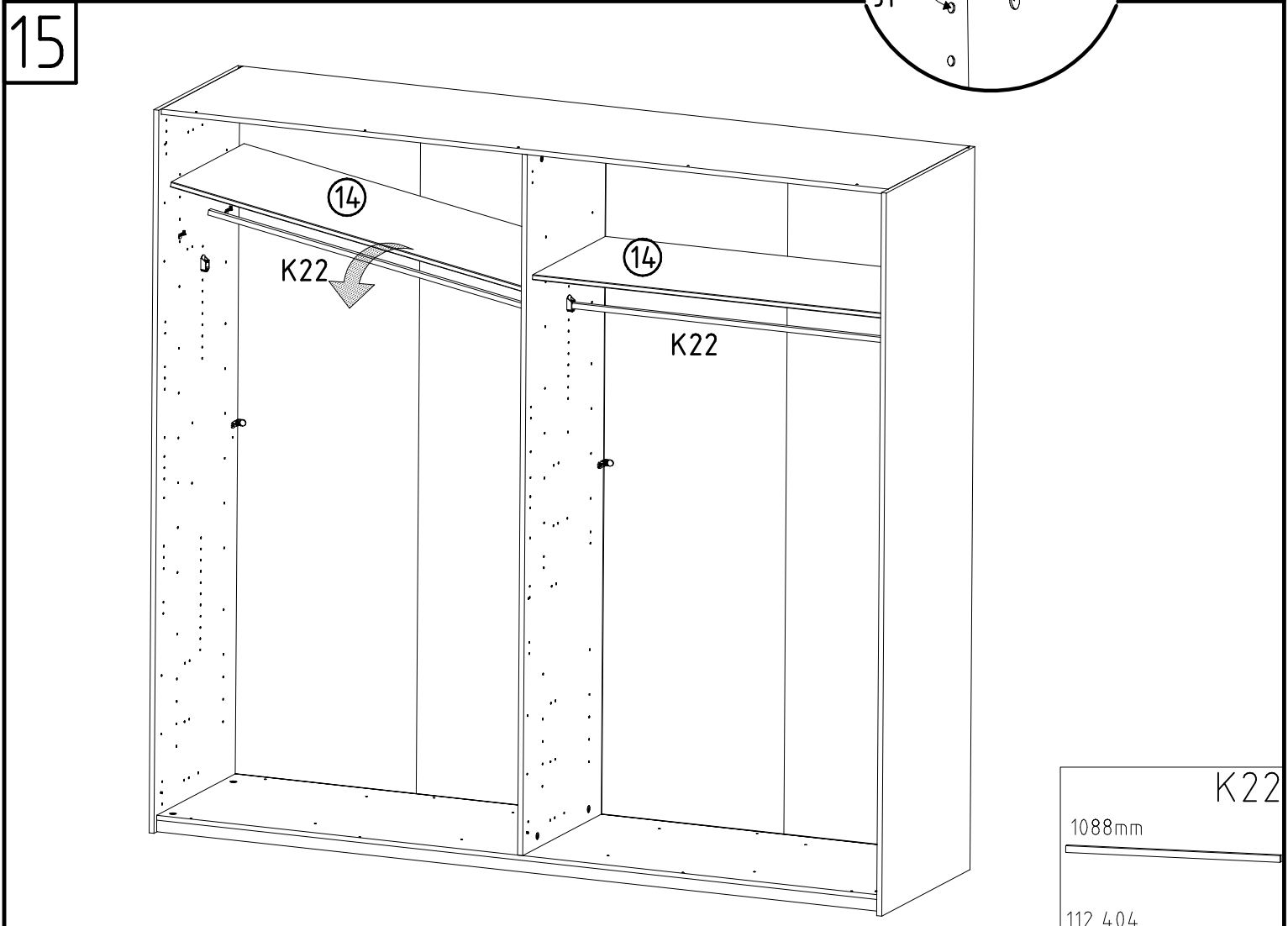
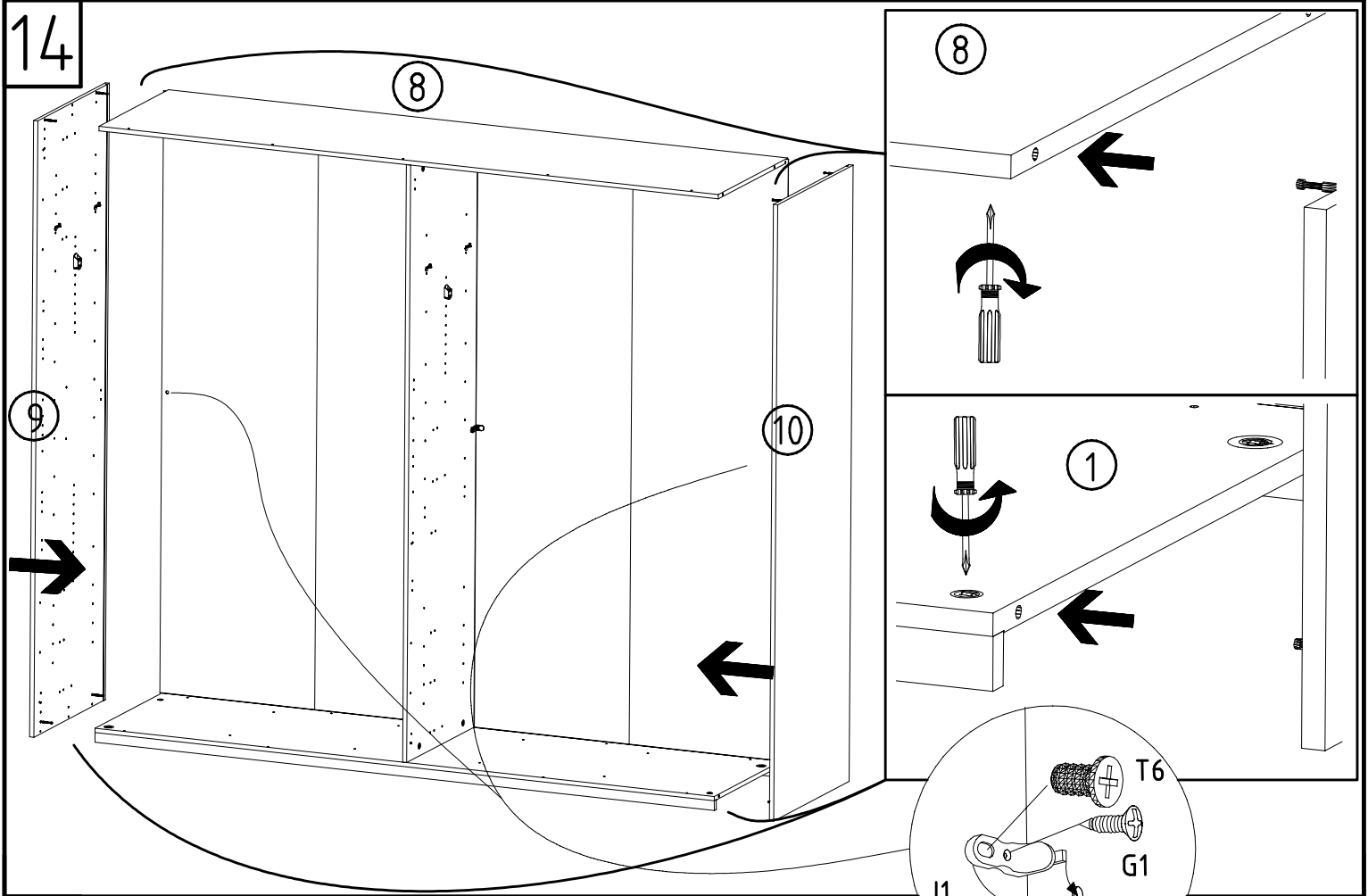


12



13



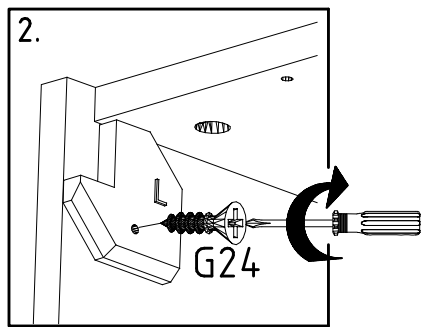
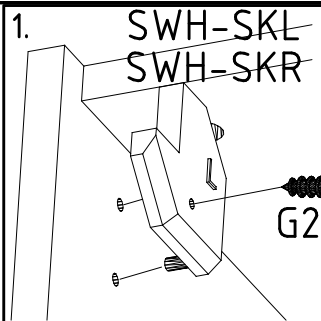


K22

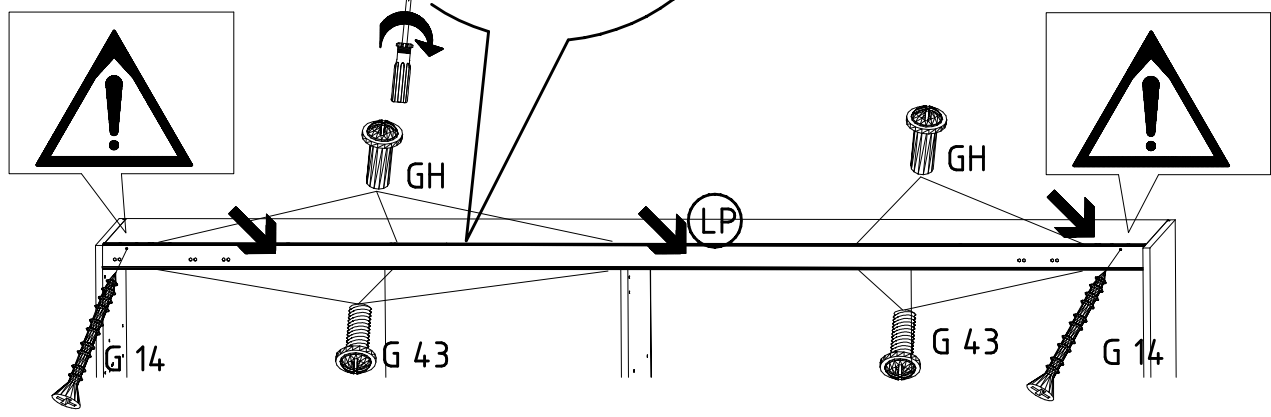
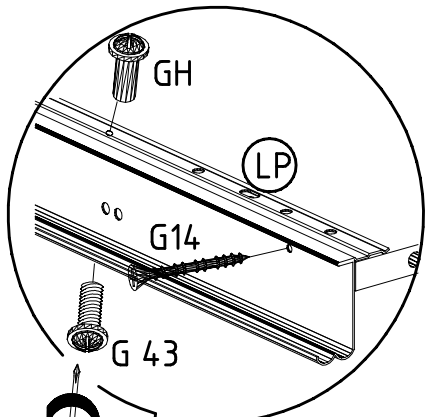
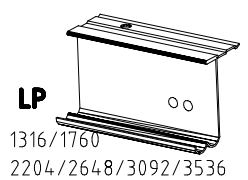
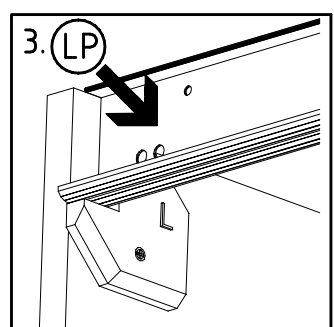
1088mm

112 404

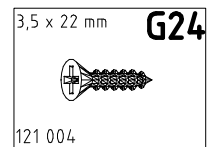
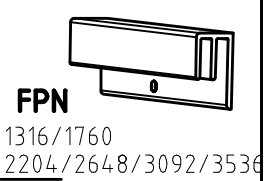
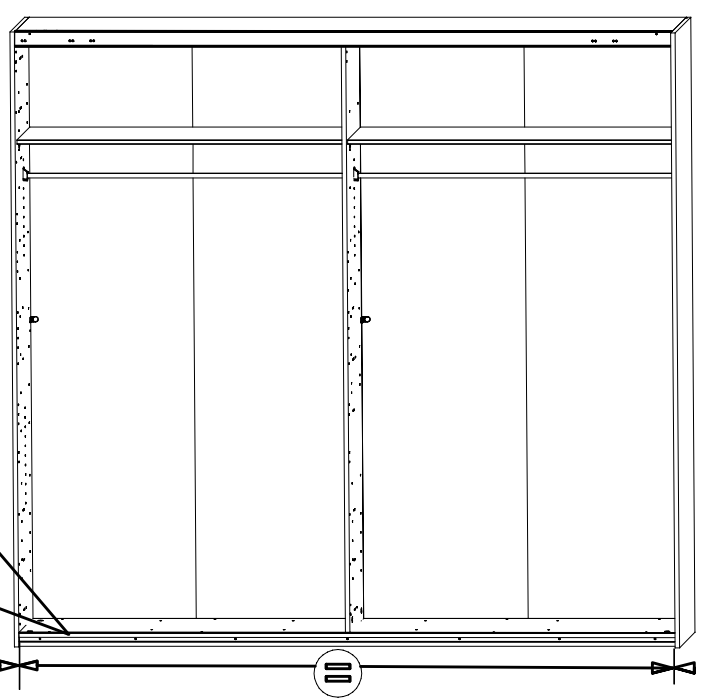
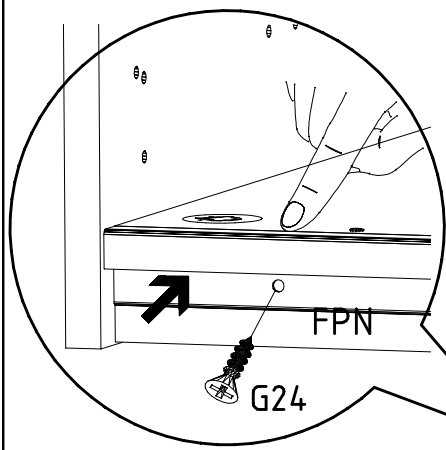
16



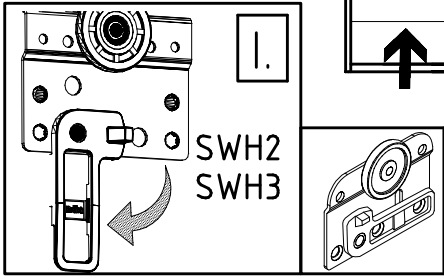
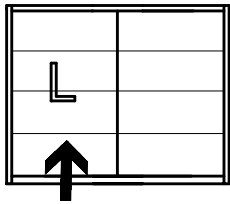
- | | | | |
|------------------------|-------------------------------------|------------------------------|------|
| 3,5 x 35 mm
121 375 | G14
M4 x 10 mm
121 xxx | G43
M4 x 13 mm
121 xxx | GH13 |
|------------------------|-------------------------------------|------------------------------|------|



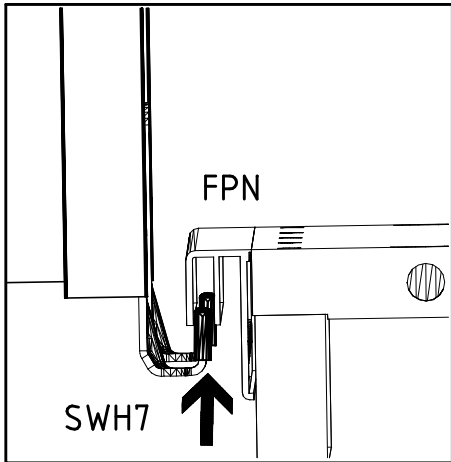
17



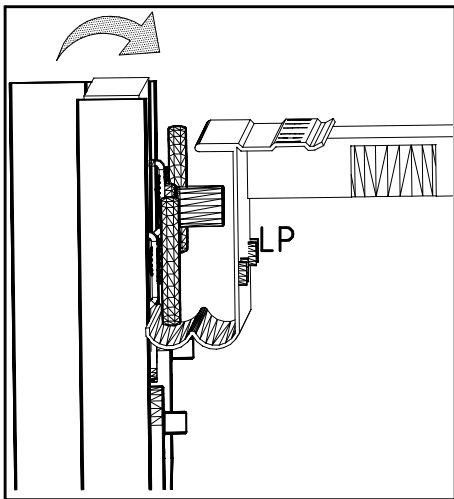
18



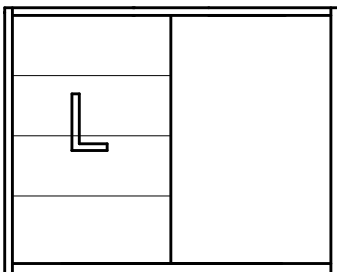
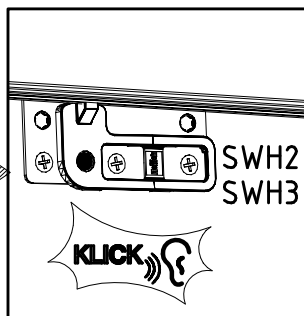
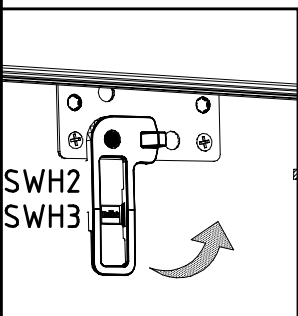
II.



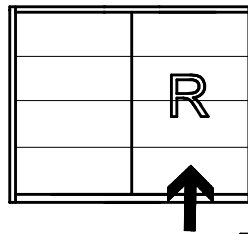
III.



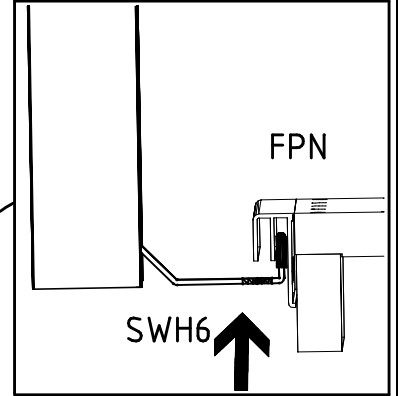
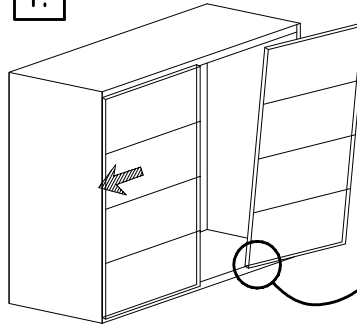
IV.



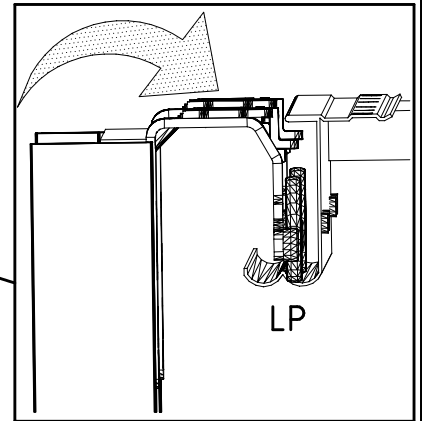
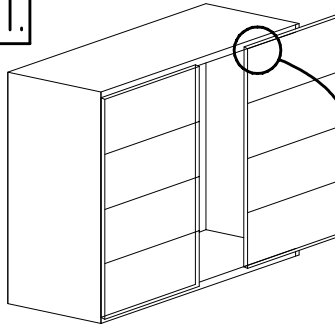
19



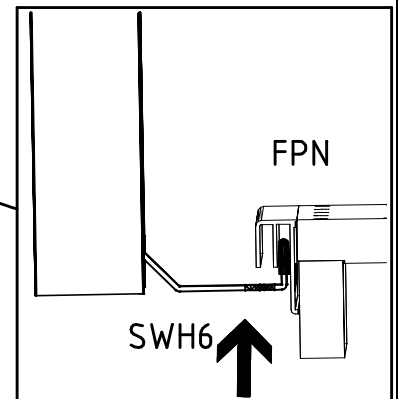
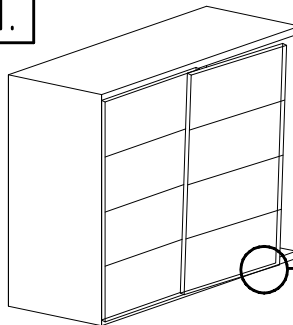
I.



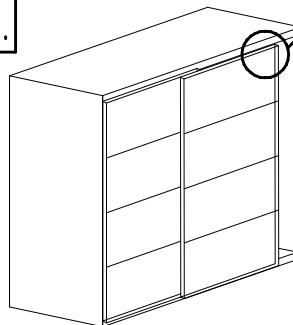
II.



III.



IV.



V.

