

# JASSFERRY<sup>®</sup>

## Kitchen Sink Installation Guide

Any questions, please contact our CUSTOMER SERVICE TEAM:  
[jassferry@163.com](mailto:jassferry@163.com) / [jassferry@qq.com](mailto:jassferry@qq.com)

[www.jassferry.com](http://www.jassferry.com) / [www.jassferry.co.uk](http://www.jassferry.co.uk)

## Tools needed

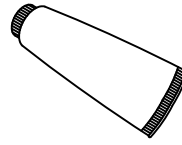
---



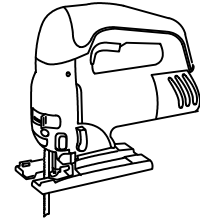
Safety Goggles



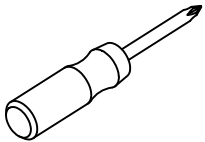
Drill



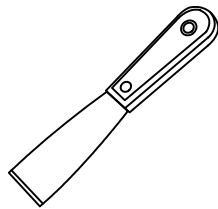
Silicone Adhesive



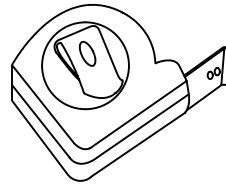
Jig Saw



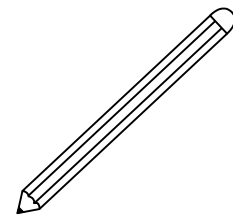
Phillips Screwdriver



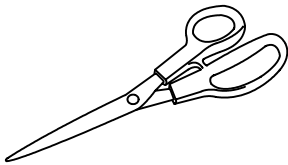
Putty Knife



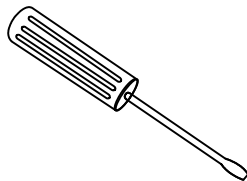
Tape Measure



Pencil



Scissors



Screwdriver

### NOTE:

Specialized tools may be necessary to install stainless steel topmount sinks with countertop materials.

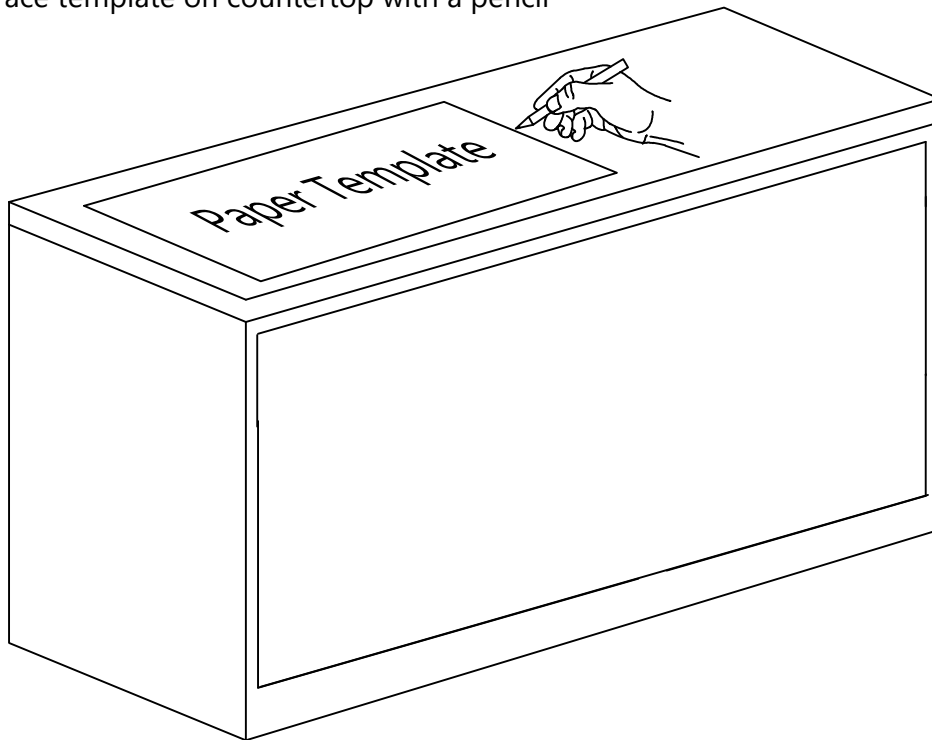
Make sure you have all necessary parts by checking the diagram.

If any part is missing or damaged, please contact CUSTOMER SERVICES for a replacement.

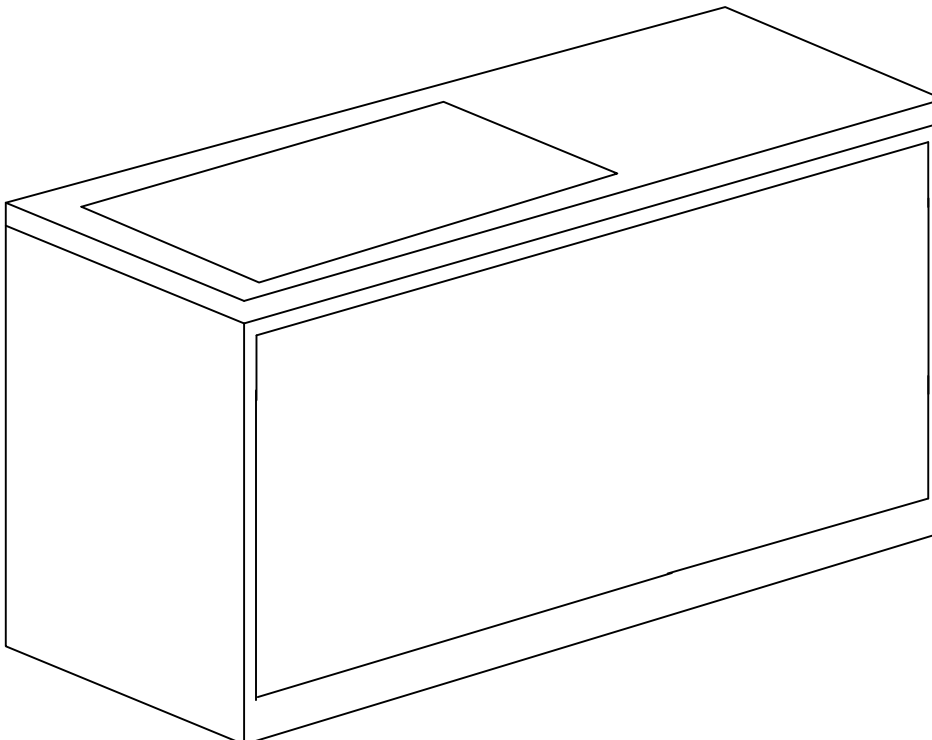
## Installation

---

- Check the cut-out template against the actual sink to ensure a proper sized cut-out
- Place the cut-out template in the desired location on the countertop
- Trace template on countertop with a pencil



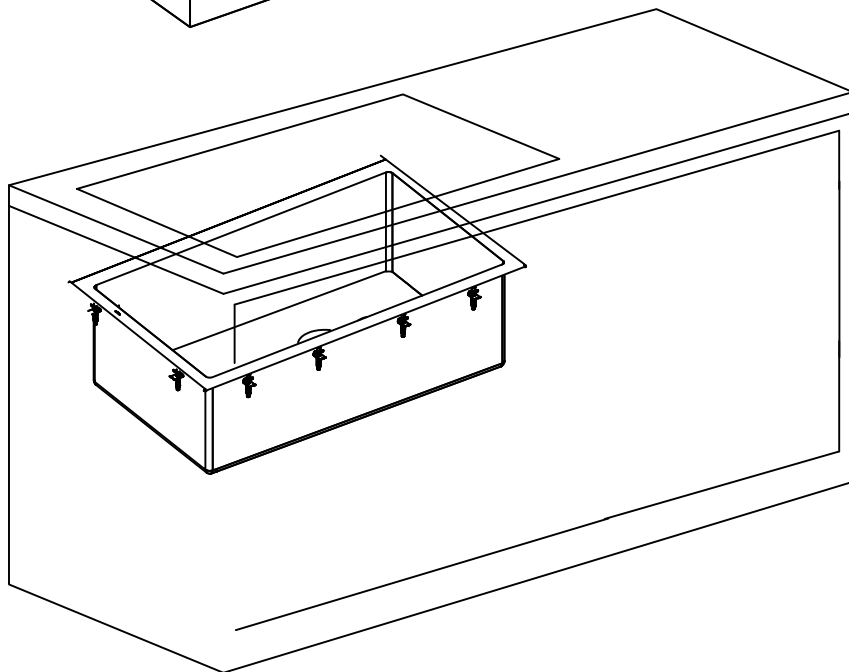
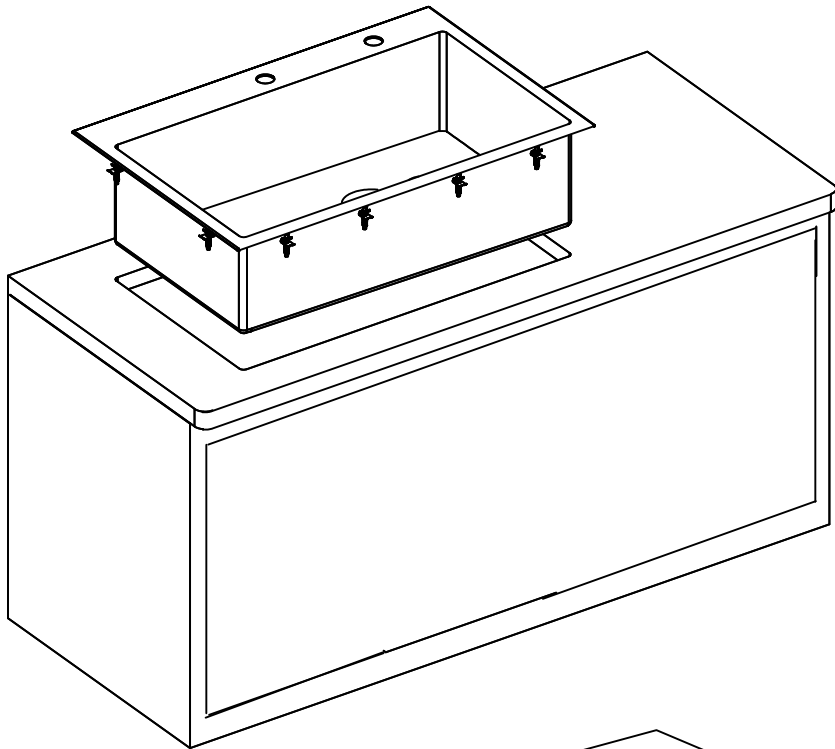
- Cut the opening in the countertop by carefully following the traced line



## Topmount / Undermount

---

- Attach mounting hardware to the prongs protruding from the underside of the sink rim.
- Make sure the hooked side of the mounting clip is facing away from the sink.
- Clean and dry the surface around the opening of the sink
- Insert the sink into the opening, check the alignment of the sink to the cutout in the countertop
- Tighten the screws



## Connections

---

- Connect drain to sink, connect trap to drain.
- Connect water supply connections to faucet according to manufacturer's instructions.
- Run water into sink and check for the leaks.

## Maintenance

---

Clean your sink on a regular basis with warm soapy water. Rinse the sink after using cleaning products.

Wipe the sink surface with a soft cloth to remove any liquid residue. Do not cut food directly on the surface of the sink. Do not leave sharp objects on the surface of the sink for an extended period of time.

Do not use abrasive cleaning products, sanding tools, steel wool, or bleaching products.

## Warranty

---

JASSFERRY kitchen sinks are manufactured and tested to the highest quality standards.

We extend this warranty to the original purchaser for personal household use of the sink in its original location.

Any product reported to the authorized dealer or to JASSFERRY as being defective within the warranty period will be replaced with a part or replaced with a new product.

The warranty is non-transferable.

This warranty extends to the original owner or end-user, and is not transferable to a subsequent owner.

**Thanks for buying on JASSFERRY plumbing fixture!**

Please keep the box and packaging materials until your product is completely fitted.

If you have any questions, require technical assistance or any problem, please feel free to contact us.

**Please contact our CUSTOMER SERVICE TEAM**

jassferry@163.com / jassferry@qq.com