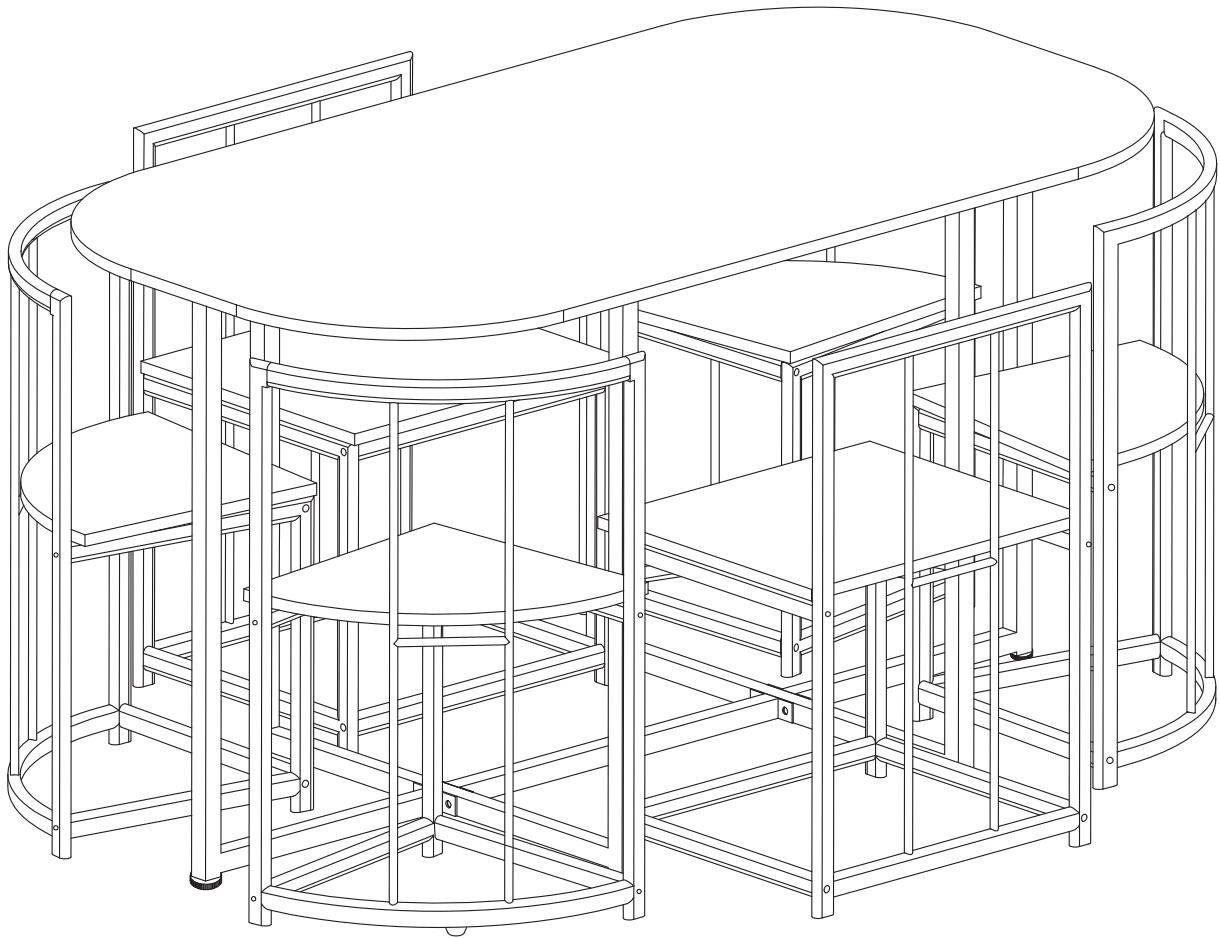


Dining Table Set



IMPORTANT NOTE:

- PLACE ALL PARTS ON A CLEAN AND SMOOTH SURFACE SUCH AS A RUG OR CARPET TO AVOID THE PARTS FROM BEING SCRATCHED.
- BEFORE YOU BEGIN, KINDLY FOLLOW THE ASSEMBLY INSTRUCTIONS STEP BY STEP.
- DO NOT TIGHTEN ALL SCREWS AND BOLTS UNTIL THE TABLE IS FULLY SET-UP.



Safety and Care Advice

Important – Please read these instructions fully before starting assembly

- Check you have all the components and tools listed on the following pages.
- Remove all fittings from the plastic bags and separate them into their groups.
- Keep children and animals away from the work area, small parts could choke if swallowed.
- Make sure you have enough space to layout the parts before starting.

- During assembly do not stand or put weight on the product, this could cause damage.
- Assemble the item as close to its final position (in the same room) as possible.
- Assemble on a soft level surface to avoid damaging the unit or your floor.
- Parts of the assembly will be easier with 2 people.



- To reduce the likelihood of damaging your product please ensure that your power drill is set on a low torque setting.

Care and maintenance

- Only clean using a damp cloth and mild detergent, do not use bleach or abrasive cleaners.
- From time to time check that there are no loose screws on this unit.
- This product should not be discarded with household waste. Take to your local authority waste disposal centre.

Handy Hints

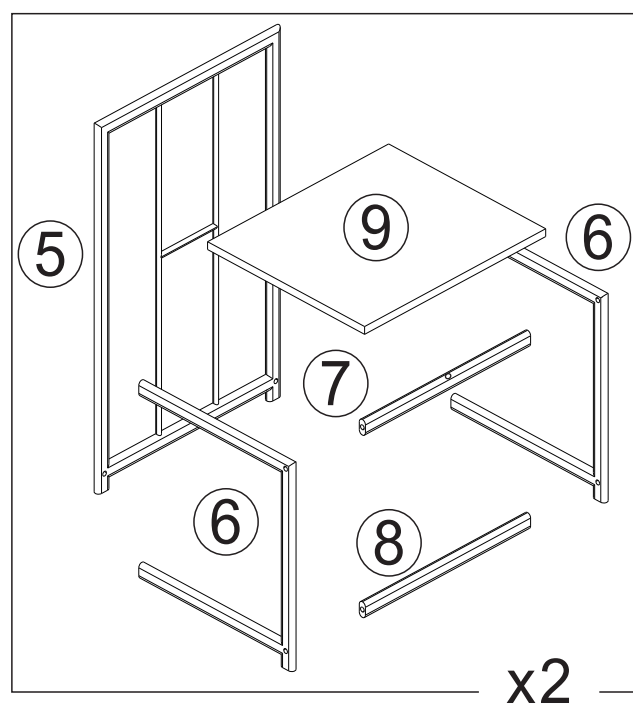
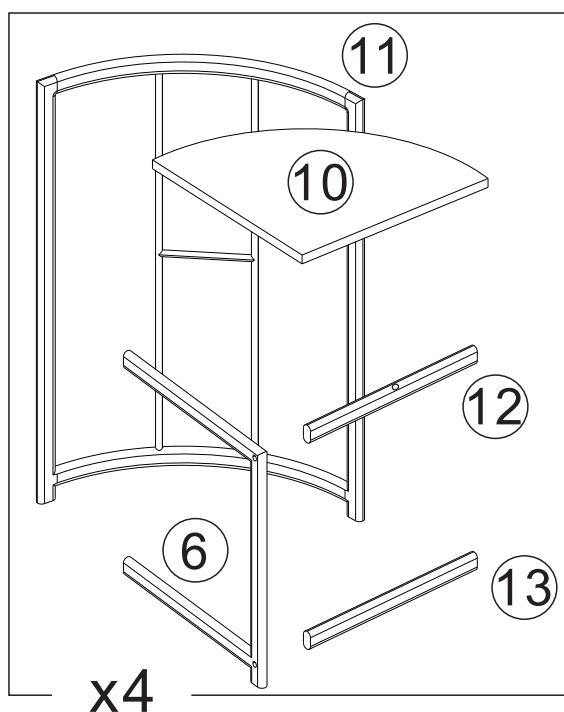
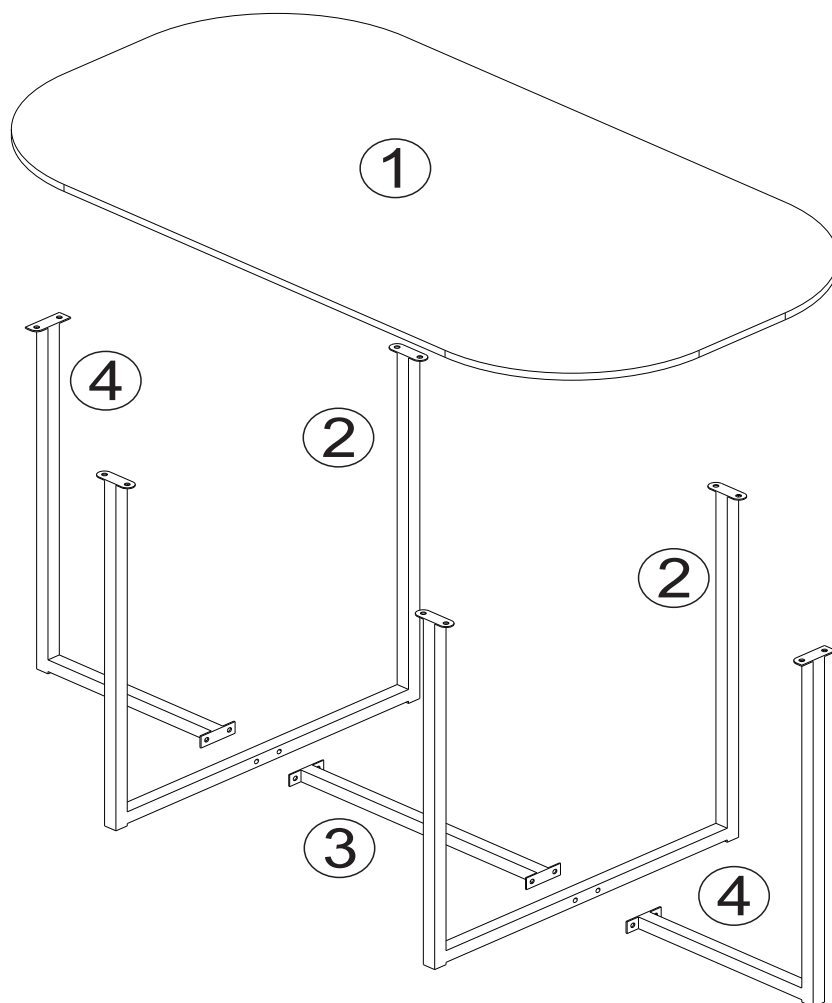
- Assemble all parts and bolts loosely during assembly, only once the product is complete should you fully tighten the bolts
- Regularly check and ensure that all bolts and fittings are tightend properly.

WARNING In order to help prevent overturning – please follow these instructions

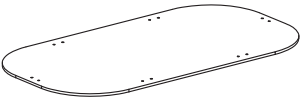
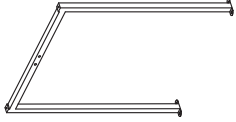
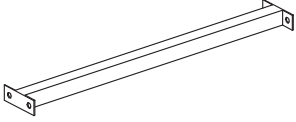

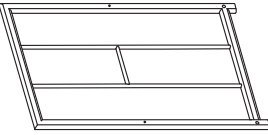
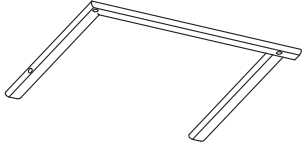
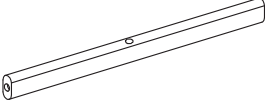
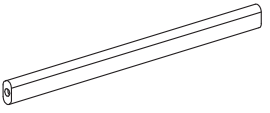
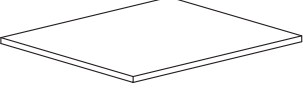

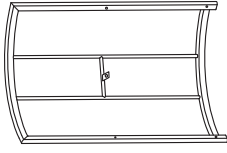
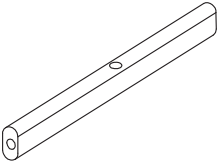
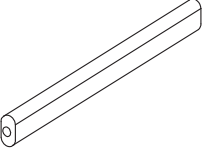
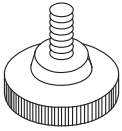
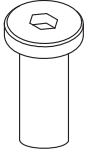

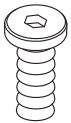
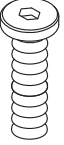
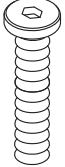

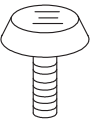
To help prevent product toppling over please follow the below steps:-

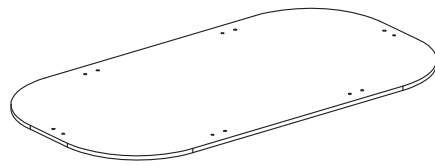
- Use the anti tip stap or wall fixing method provided (if applicable)
- Do not allow children to climb or hang on the furniture
- Do not open more than one drawer at a time
- Do not place heavy items in the top drawers
- Do not place heavy items on top of the furniture, unless the furniture has been designed for this purpose

Assembly Instructions



Part List and Hardware

 <p>① x1</p>	 <p>② x2</p>	 <p>③ x1</p>	 <p>④ x2</p>
 <p>⑤ x2</p>	 <p>⑥ x8</p>	 <p>⑦ x2</p>	 <p>⑧ x2</p>
 <p>⑨ x2</p>	 <p>⑩ x4</p>	 <p>⑪ x4</p>	 <p>⑫ x4</p>
 <p>⑬ x4</p>	 <p>A x6</p>	 <p>B x4</p>	 <p>C x16</p>
 <p>D x4</p>	 <p>E x40</p>	 <p>F x14</p>	 <p>G x2</p>
 <p>H x4</p>			



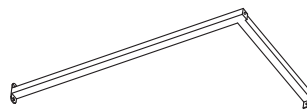
①×1



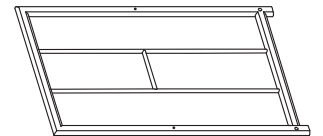
②×2



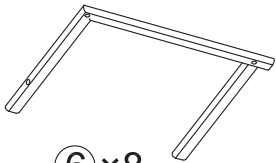
③×1



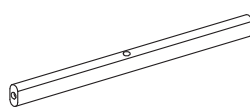
④×2



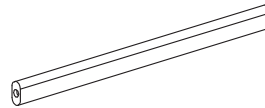
⑤×2



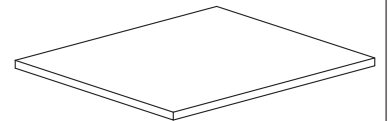
⑥×8



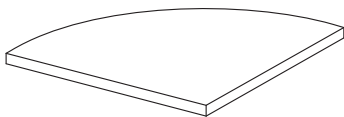
⑦×2



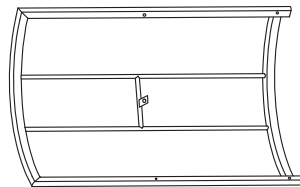
⑧×2



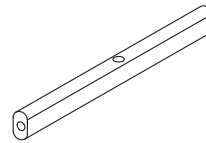
⑨×2



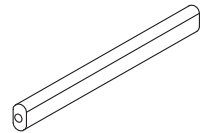
⑩×4



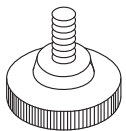
⑪×4



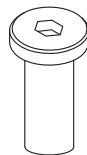
⑫×4



⑬×4



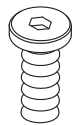
A x 6



B x 4



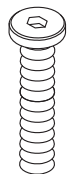
C x 16



D x 4



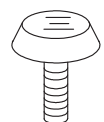
E x 40



F x 14

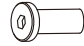



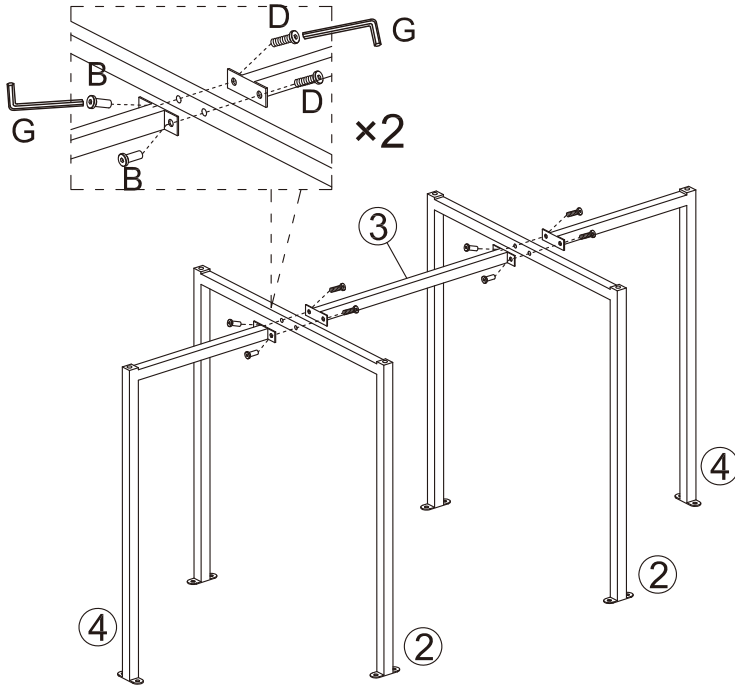
G x 2





H x 4

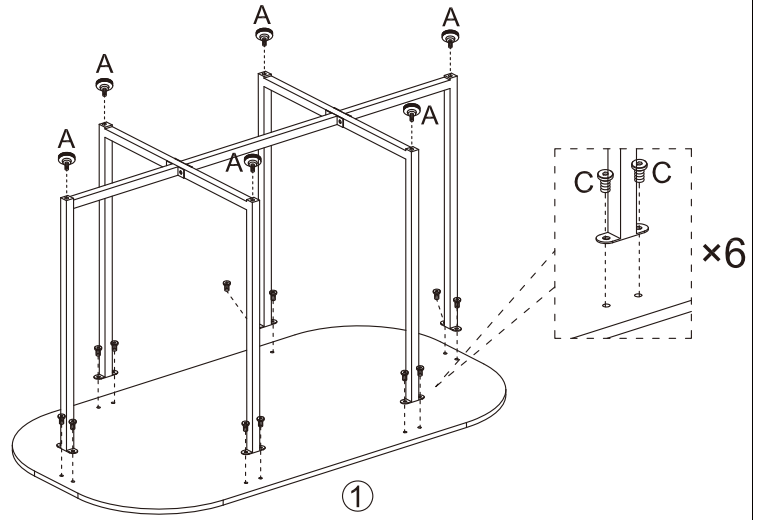
STEP 1

B		4
D		4




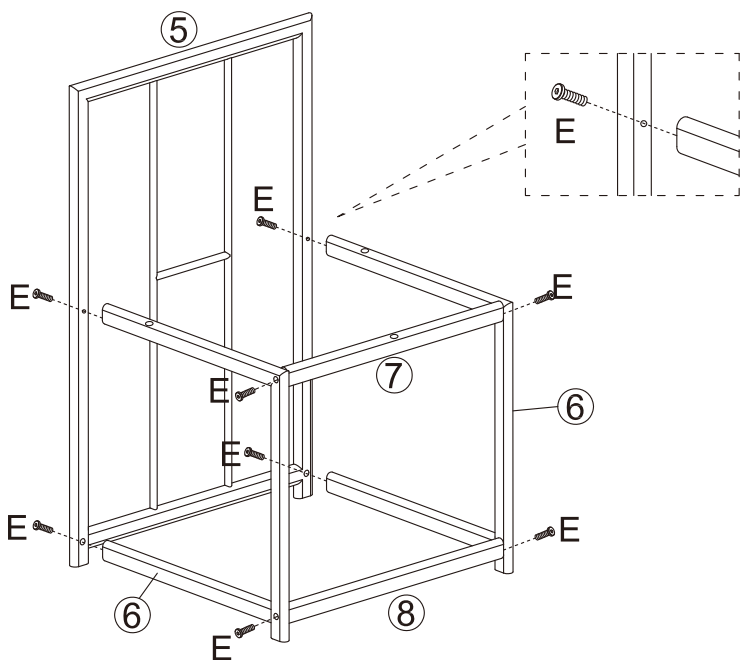
STEP 2

A		6
C		12




STEP 3

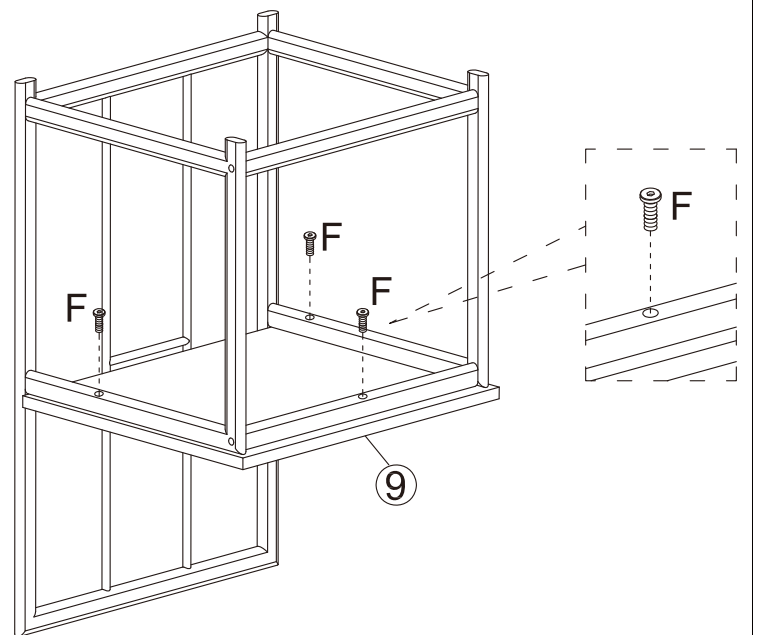
E		16
---	---	----



×2


STEP 4

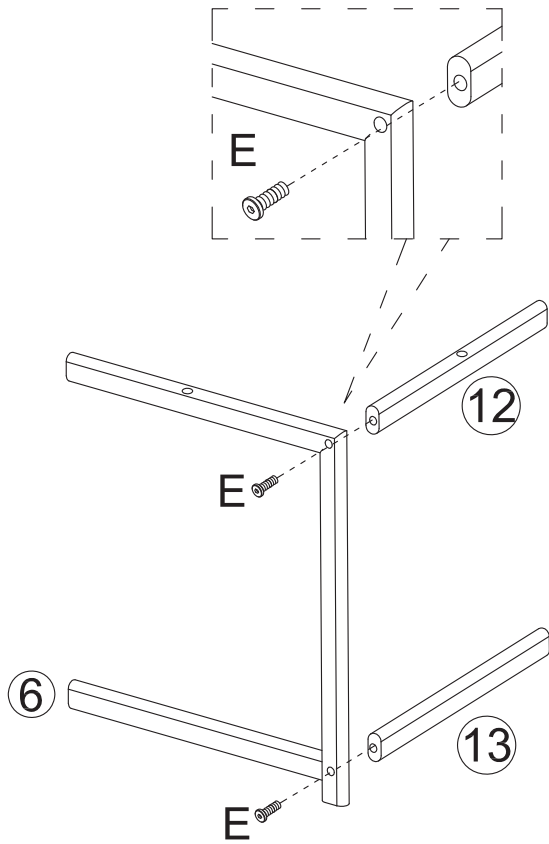
F		6
---	---	---



×2

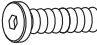
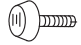
STEP 5

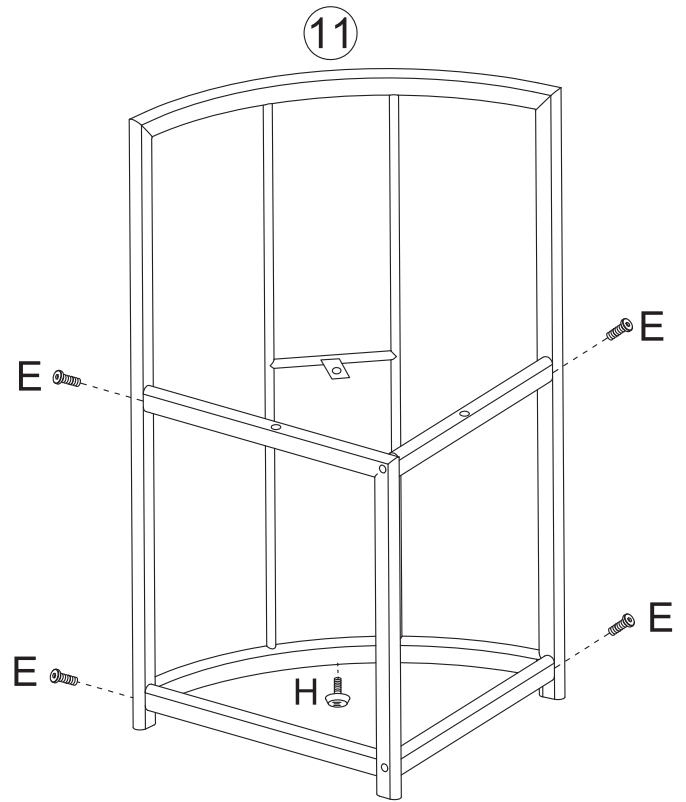
E		8
---	--	---



×4



STEP 6

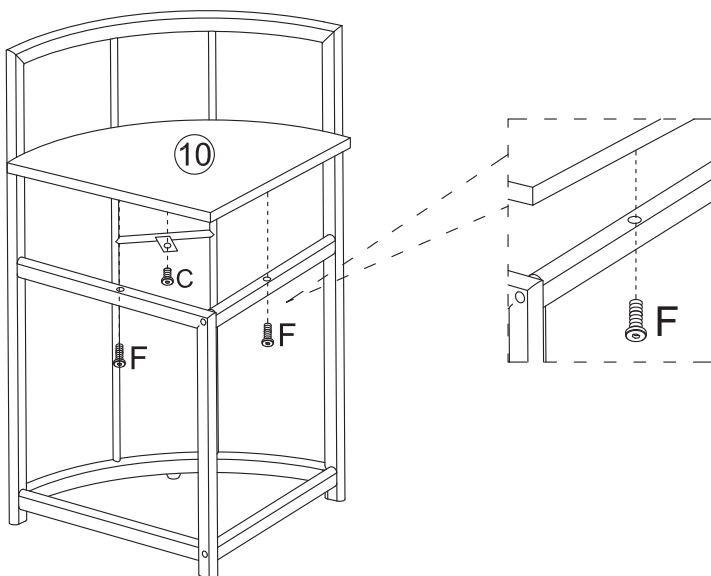
E		16
H		4



×4

STEP 7

C		4
F		8



×4

STEP 8

