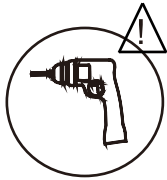


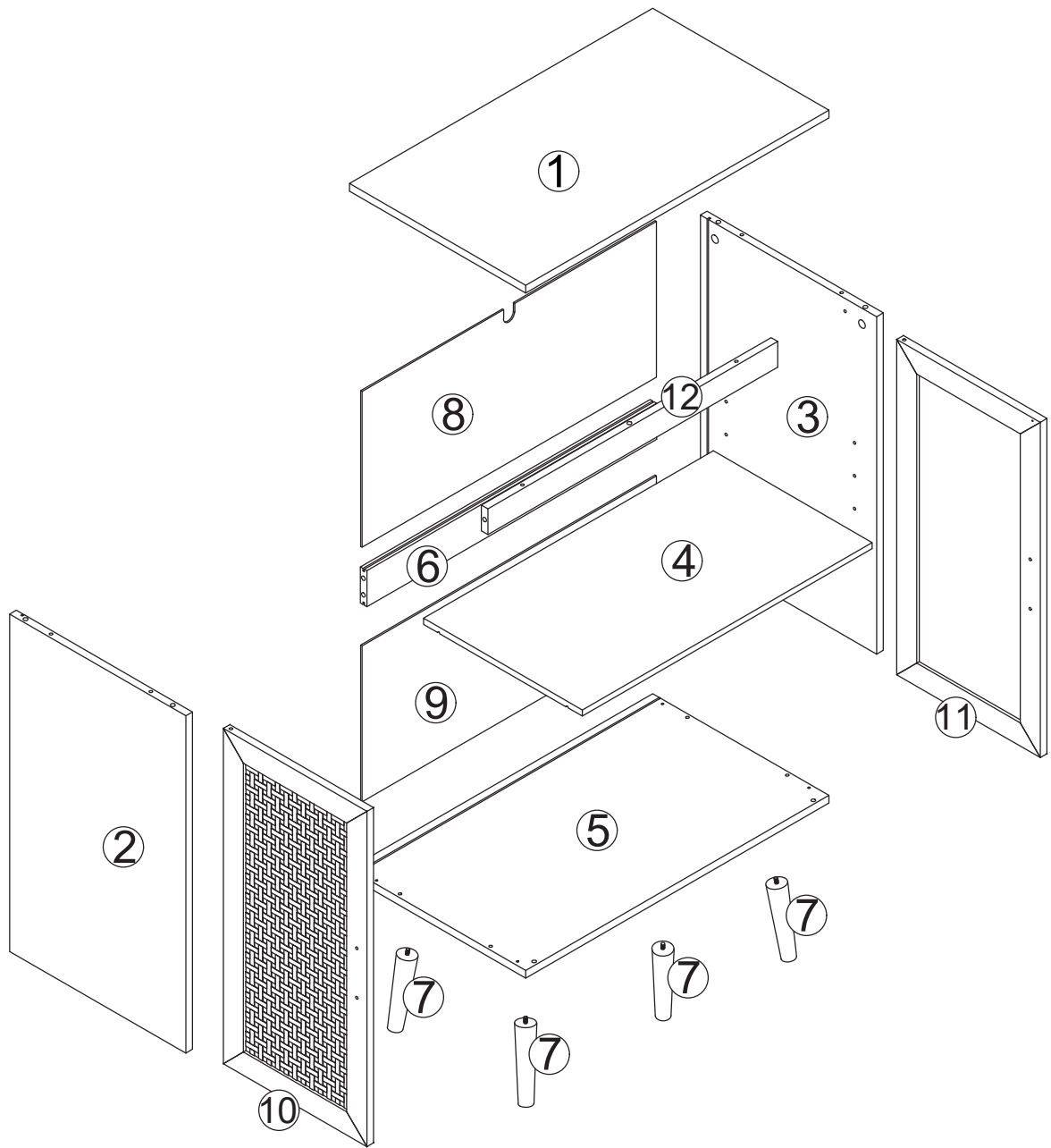
CAUTION:When tightening the screws,tighten sequentially.Do not tighten any screws fully and then towards the next one.When every part is OK, then tighten all the screws.



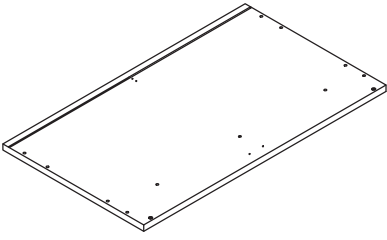
PLEASE BE CAREFUL DO NOT DAMAGE THE HOLE POSITION WHEN YOU USE POWER TOOLS !

If there are any missing parts, please contact us, and we will send you a brand new replacement.

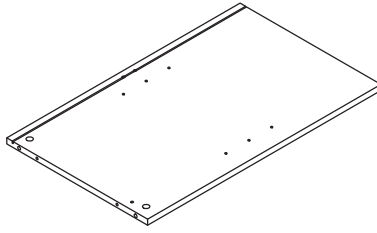
We also offer an exclusive one-month service where we provide product replacements without the need for repairs, as long as the damage is not caused by human error.



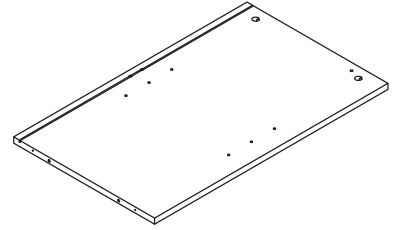
①x1



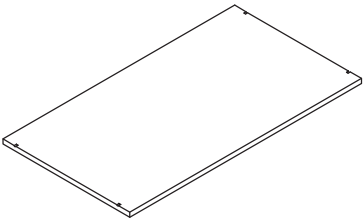
②x1



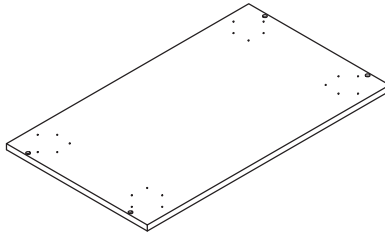
③x1



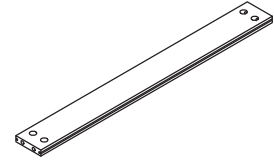
④x1



⑤x1



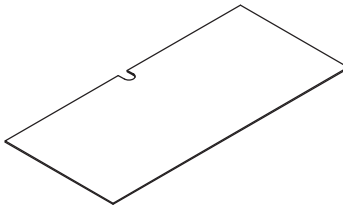
⑥x1



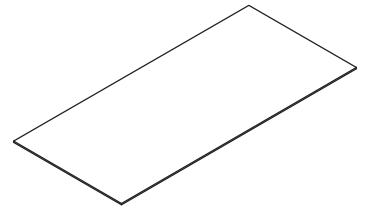
⑦x4



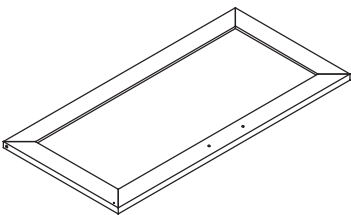
⑧x1



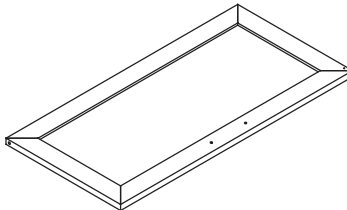
⑨x1



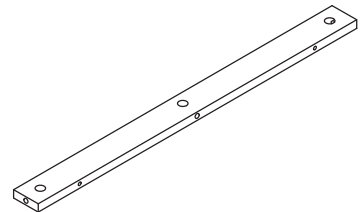
⑩x1

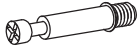



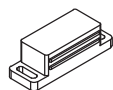






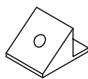




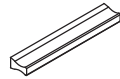

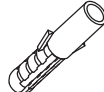


⑪x1




⑫x1




A X11 (+1)  Ø6x35mm	B X11 (+1)  Ø15x10mm	C X10 (+1)  Ø6x30mm	D X5  Ø4x35mm	E X1 
F X2 	G X2 	H X2 	I X4 	J X4 
K X4 	L X12(+1) 	M X12(+1)  Ø3x16mm	N X4 	O X1 
P X22(+2)  Ø4x12mm	Q X2 	R X4 	S X1  Ø6x30mm	

SPECIAL TIPS FOR FITTING CAM-LOCKS AND QUICKFIT

**WHEN FITTING CAMLOCK
ENSURE STARTING POSITION IS CORRECT
BEFORE YOU INSERT CONNECTING QUICKFIT
TURN CLOCKWISE UNTIL SECURE**

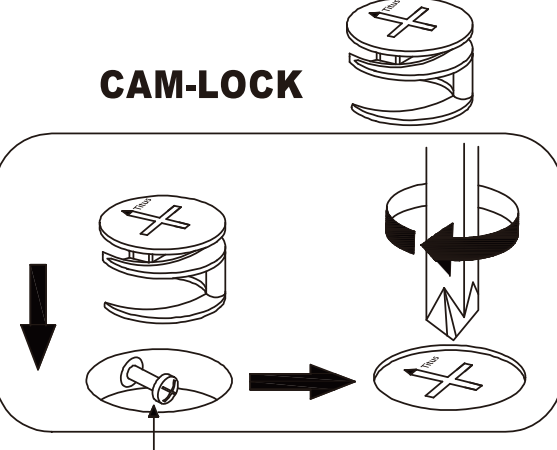


↑
CORRECT



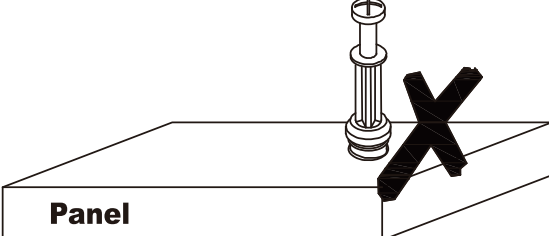
↓
WRONG

CAM-LOCK

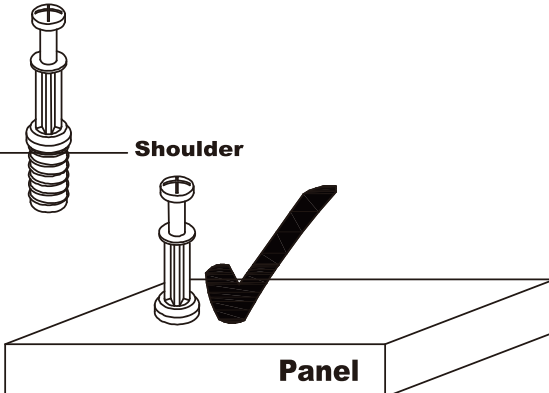


Quickfit head needs to be in centre

QUICKFIT
Tighten until shoulder is flush with panel. DO not overtighten or undertighten (see example below)



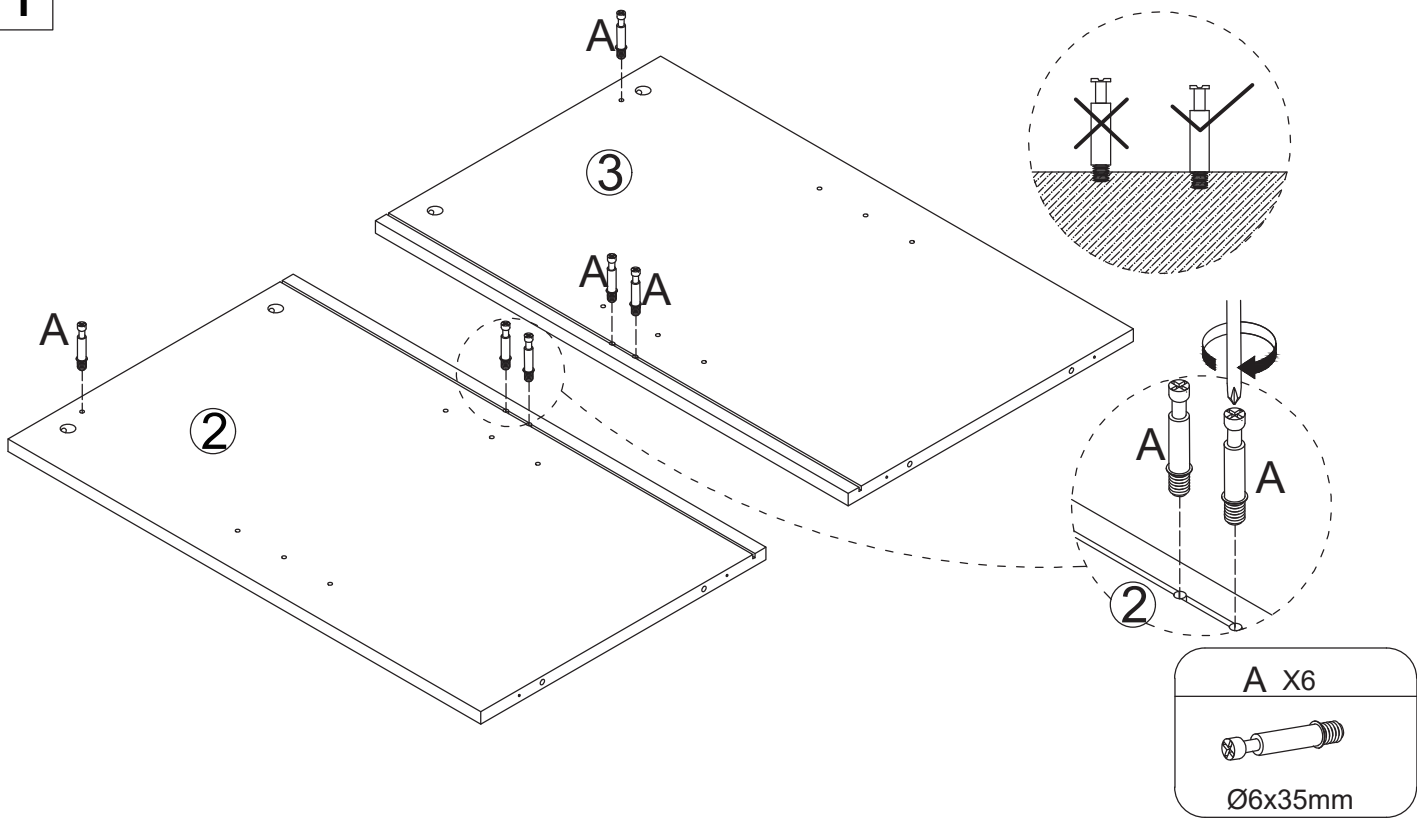
Panel



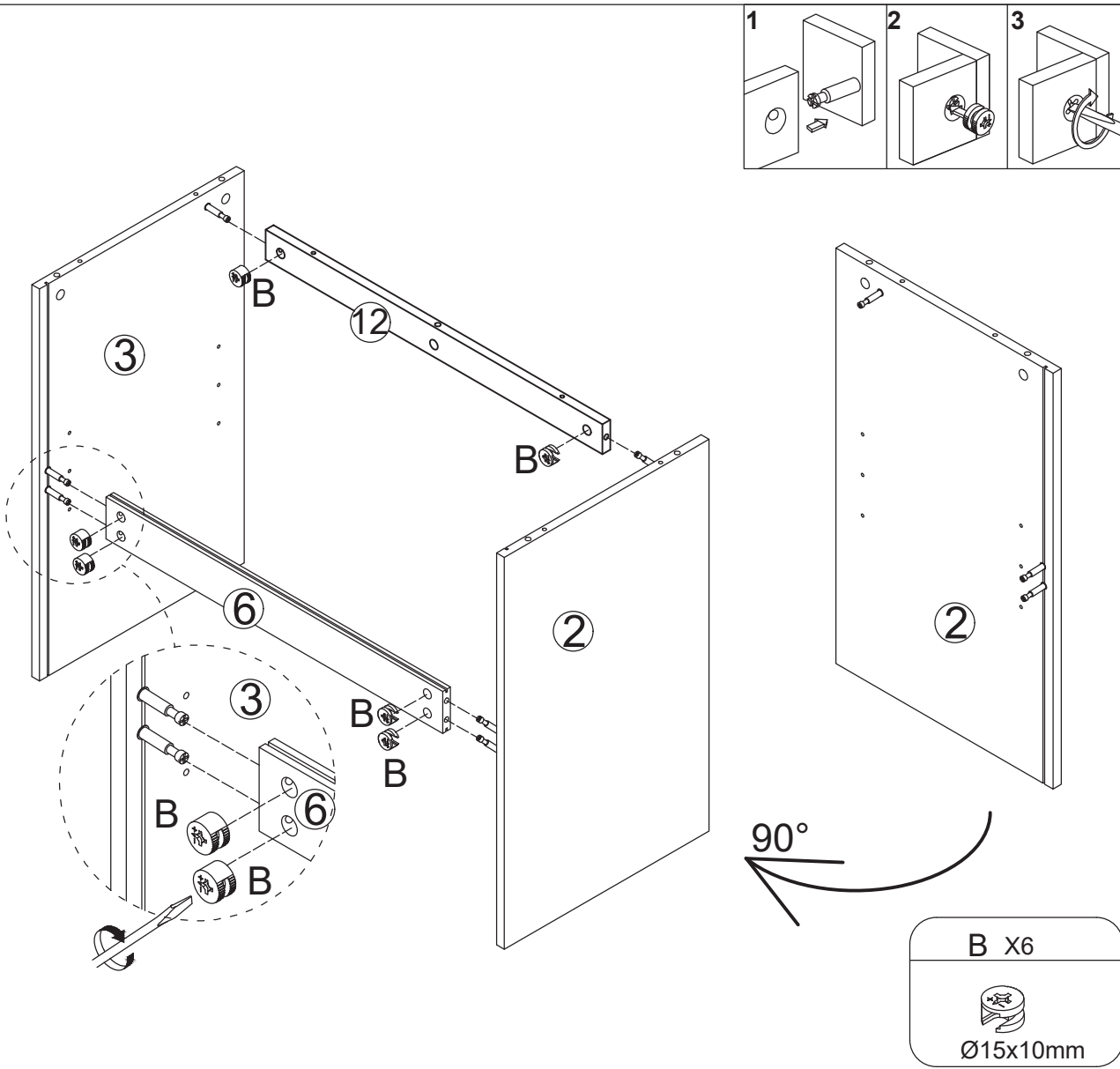
Panel

Shoulder

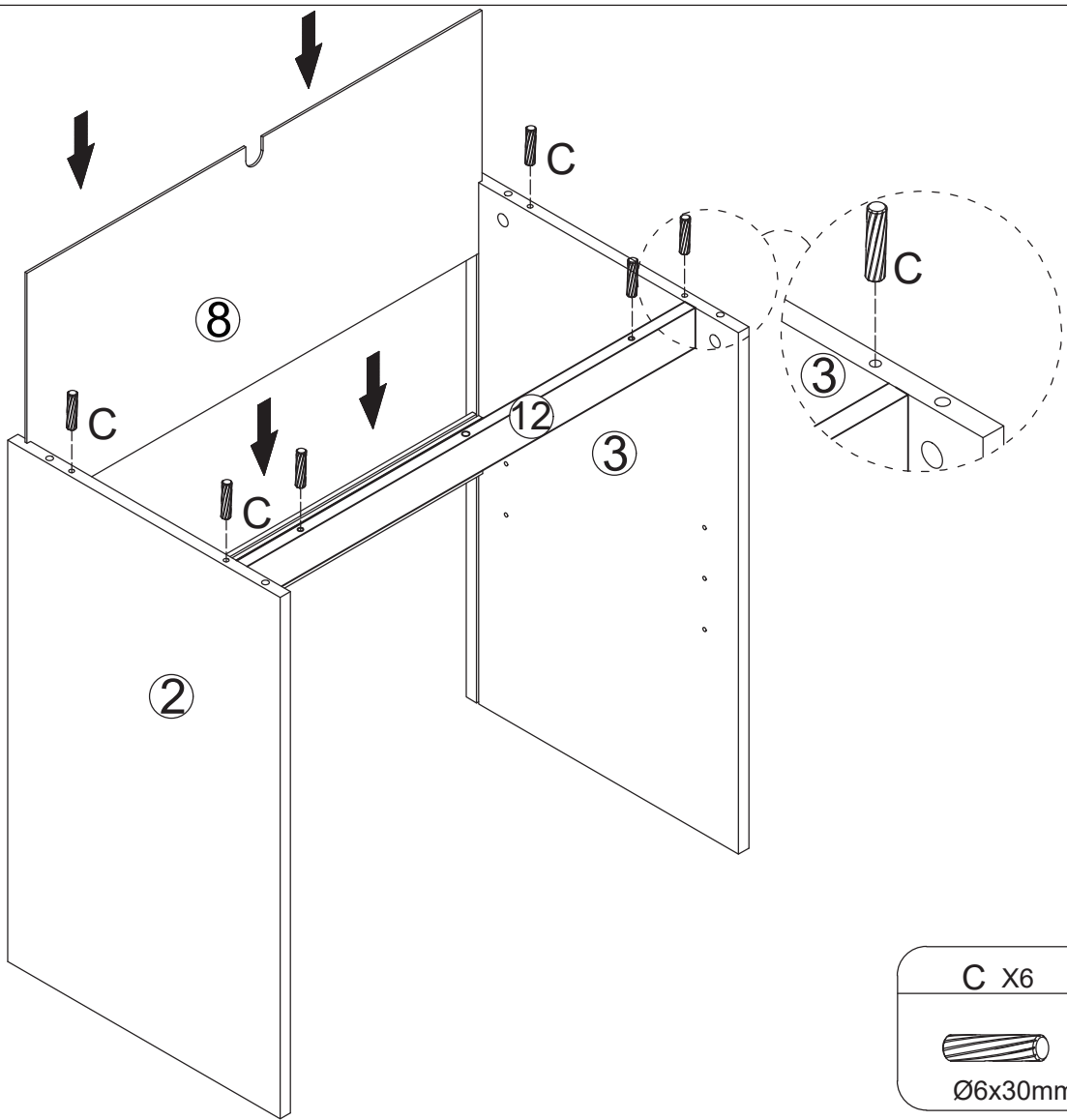
1




2

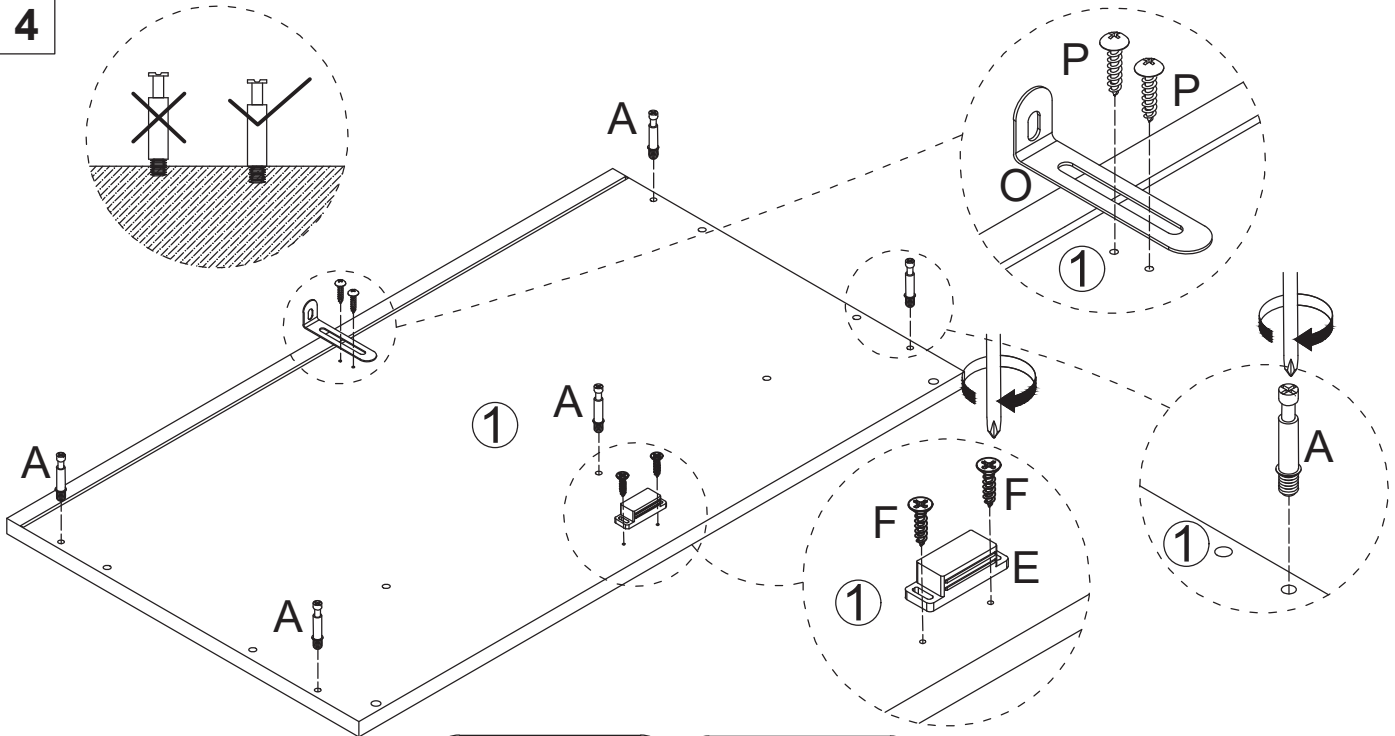



3

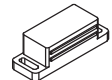



C X6

Ø6x30mm


4




A X5

Ø6x35mm

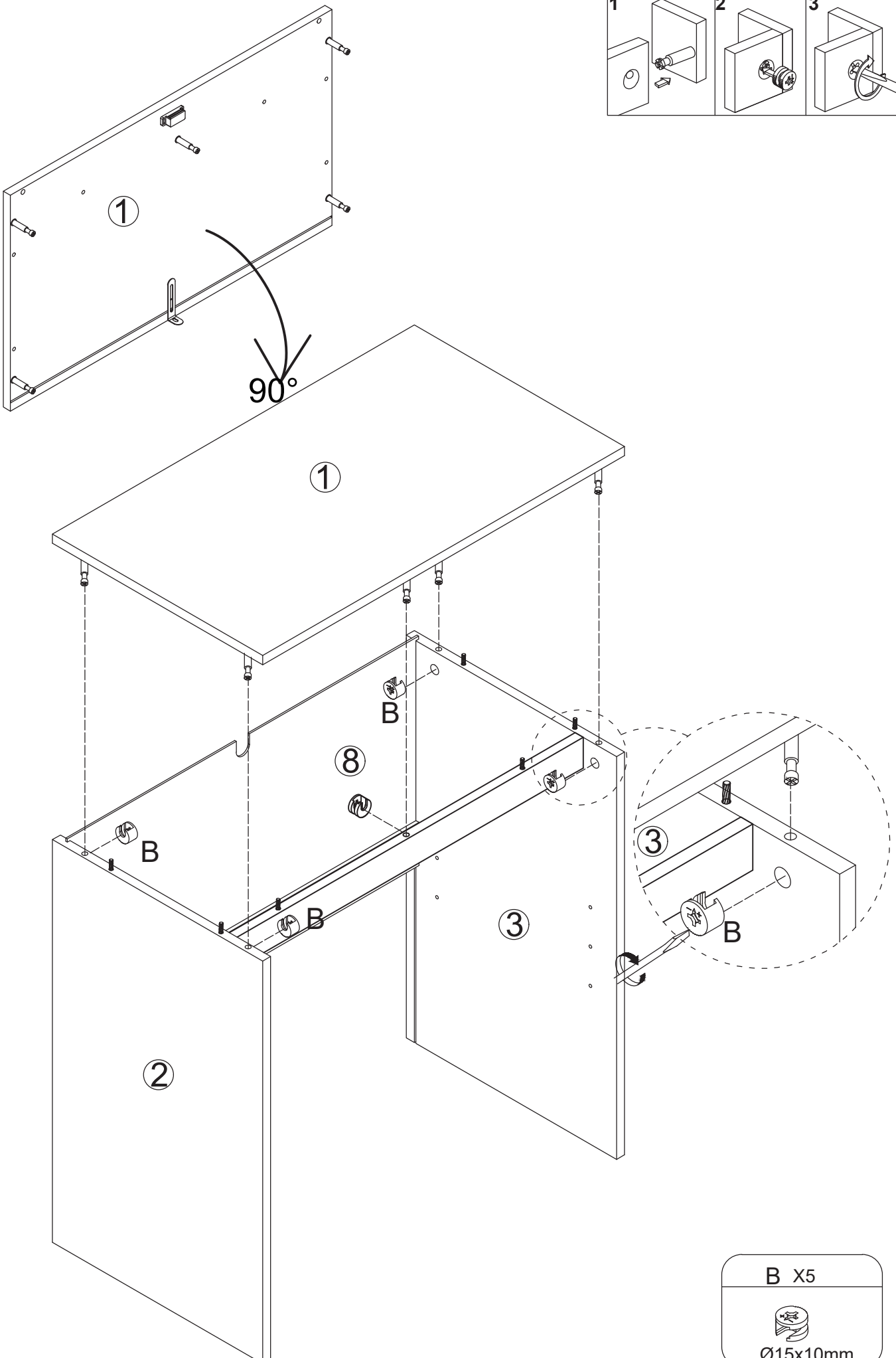
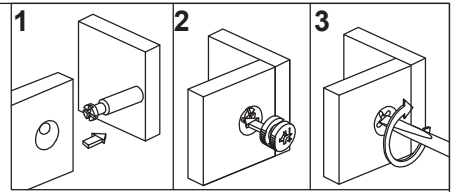
E X1



F X2


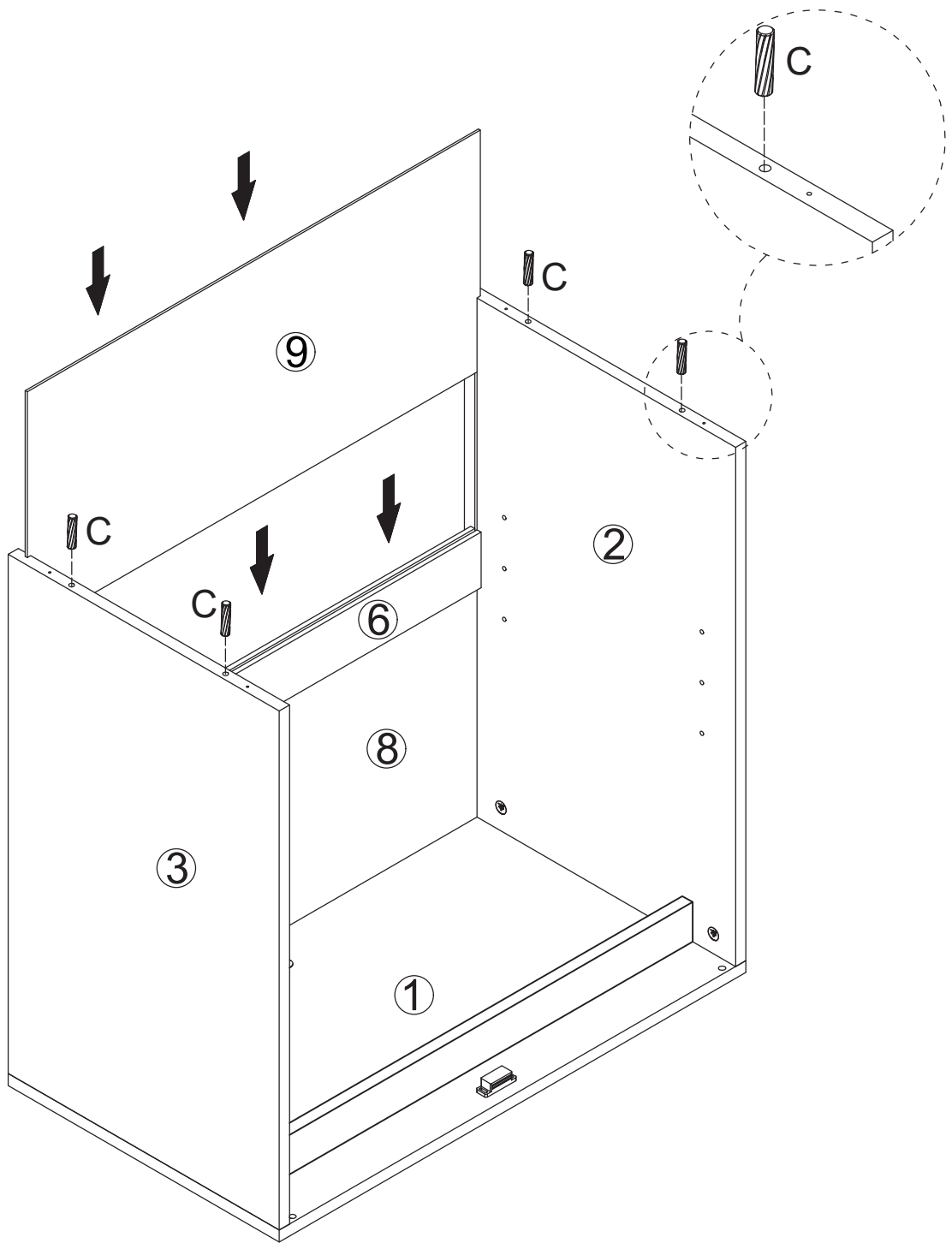
O X1



P X2

Ø4x12mm

5

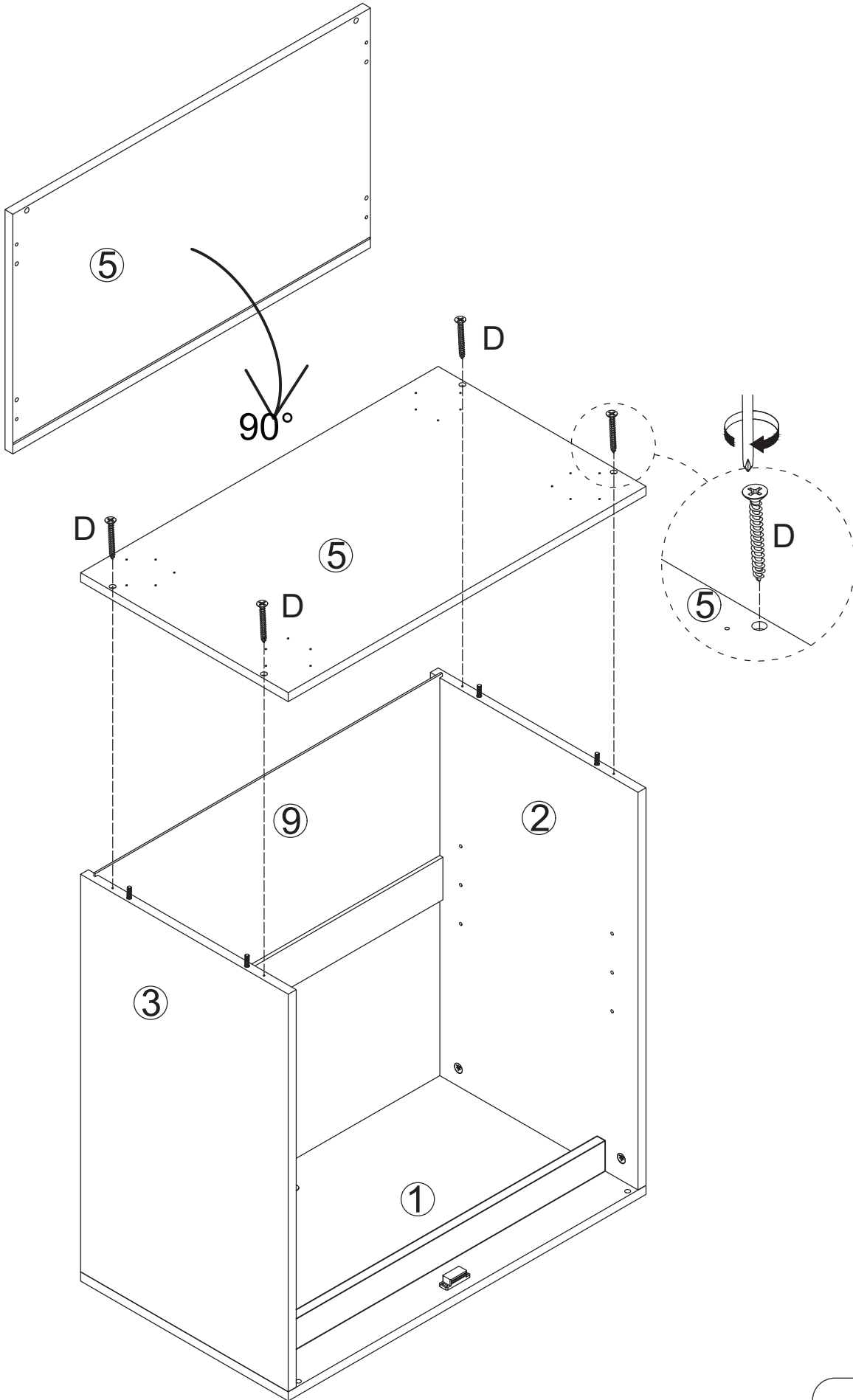



B X5

Ø15x10mm

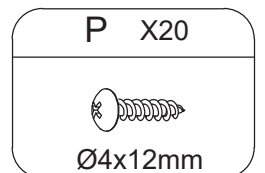
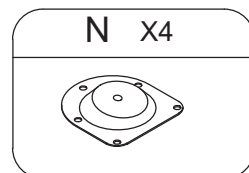
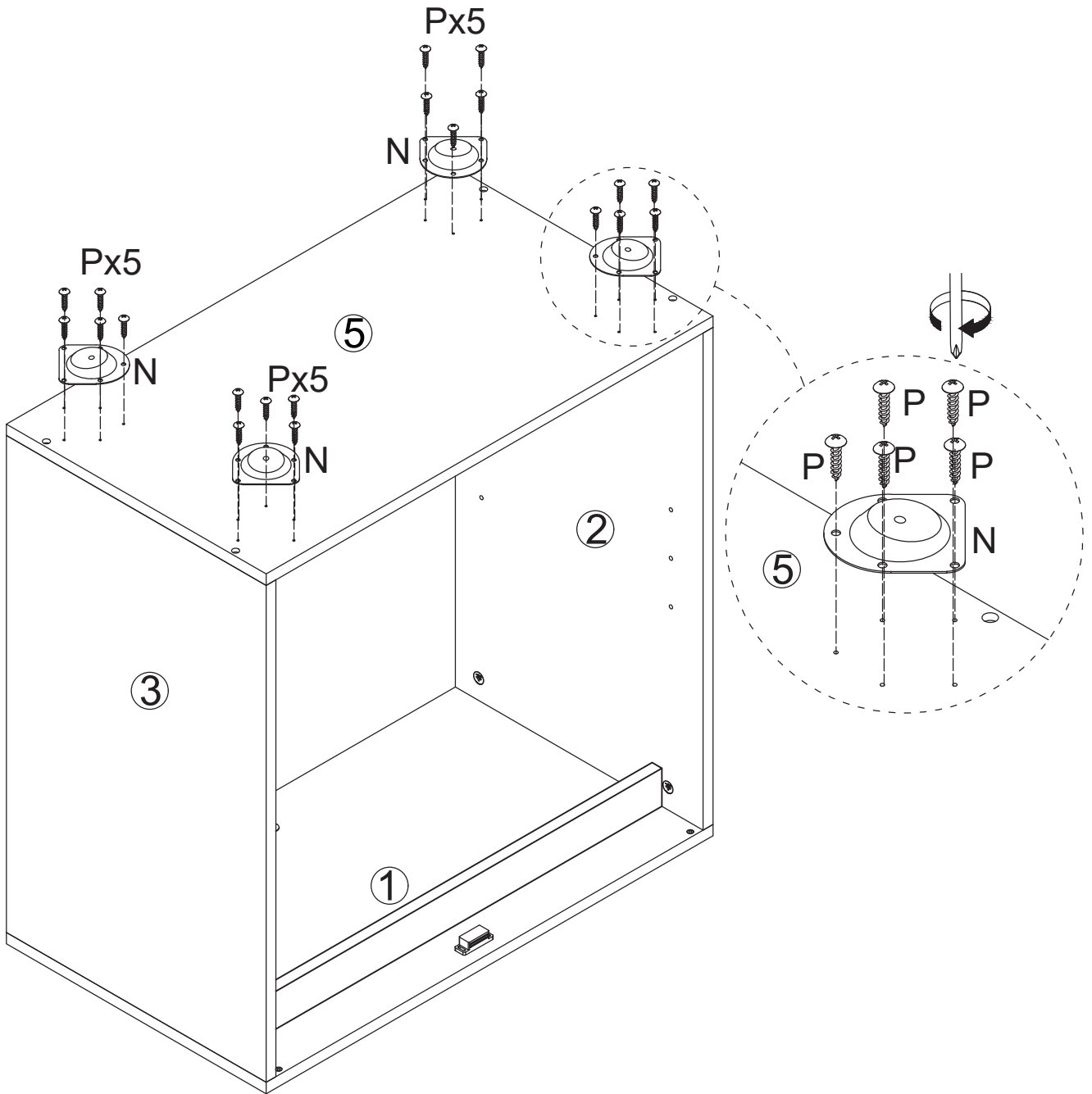


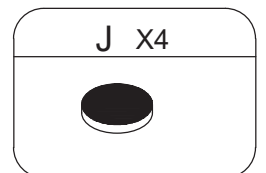
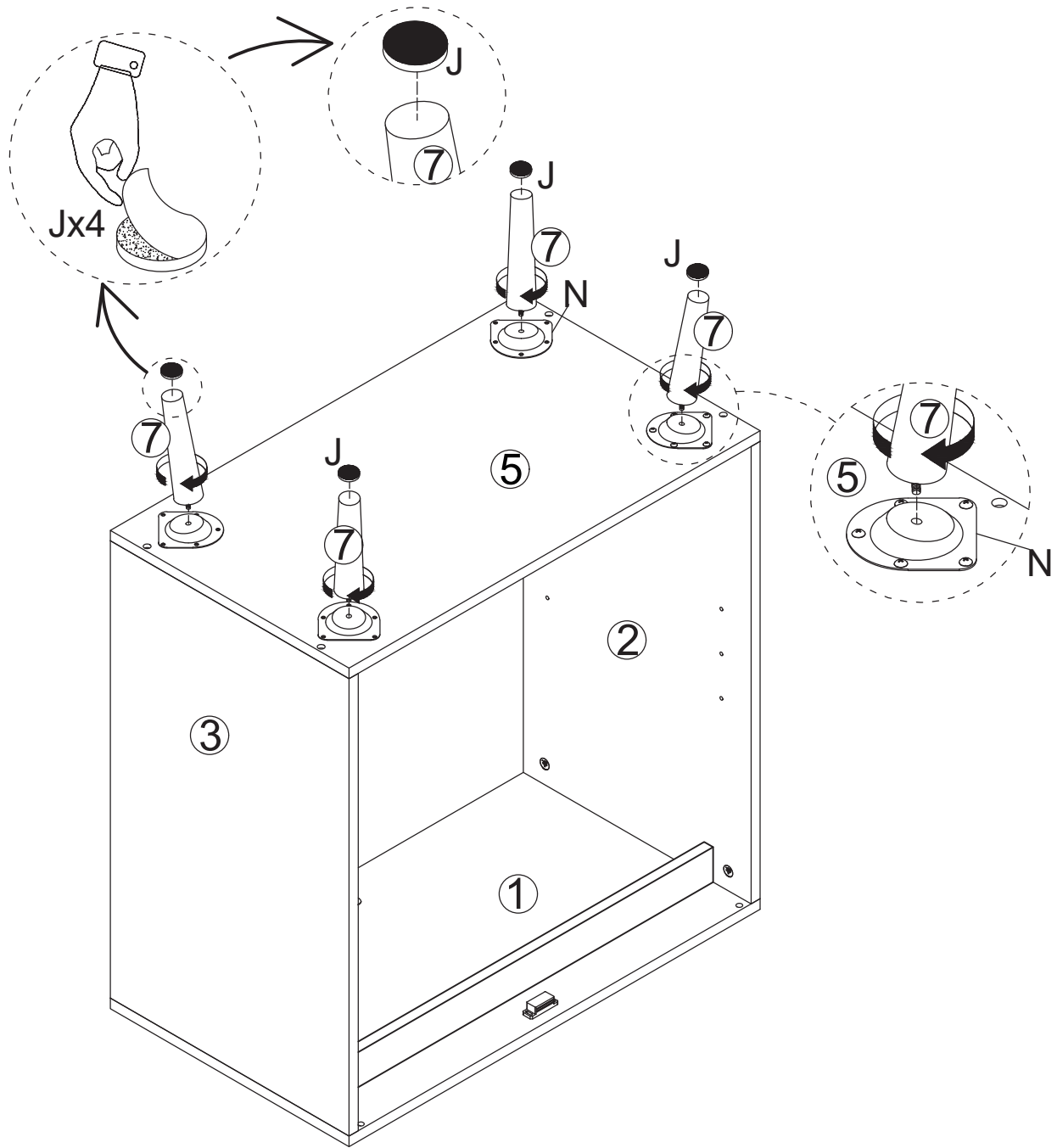
C X4

Ø6x30mm

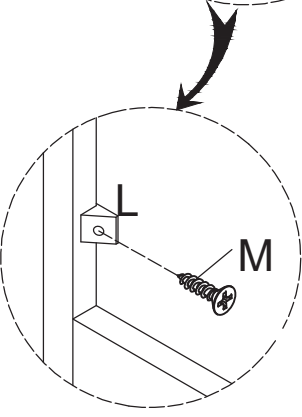
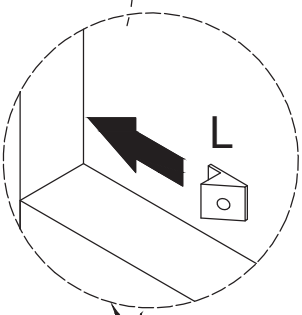
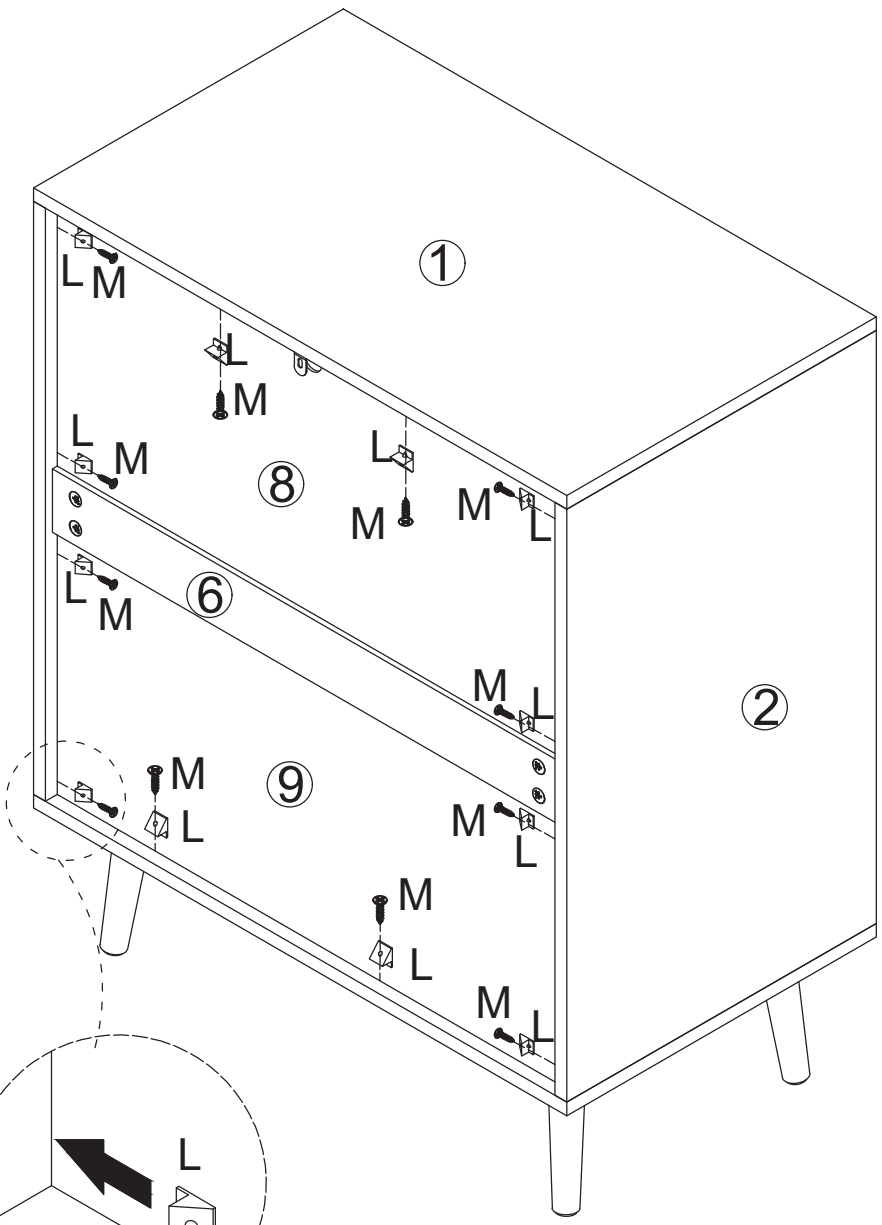
7





D X4

Ø4x35mm

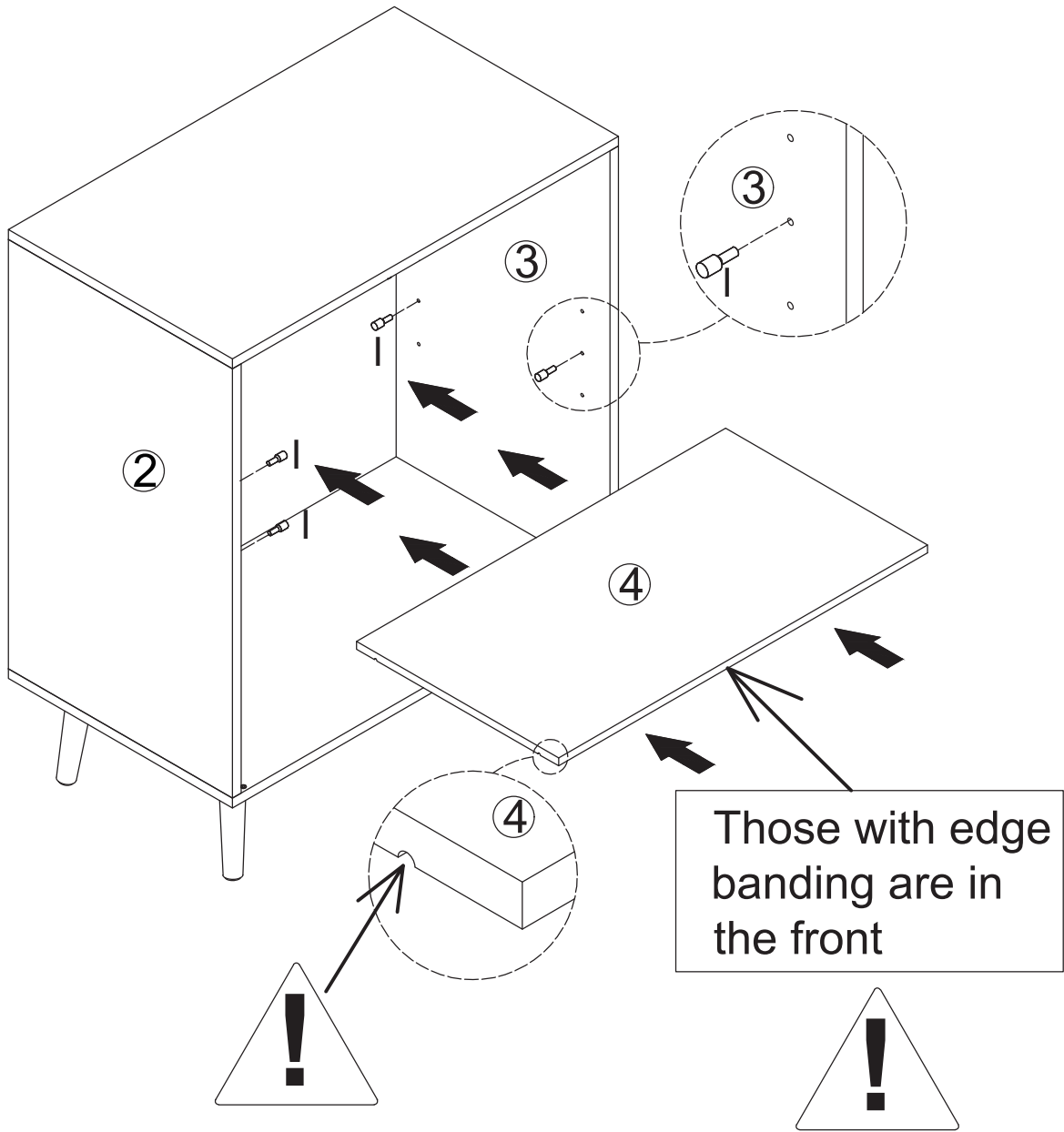


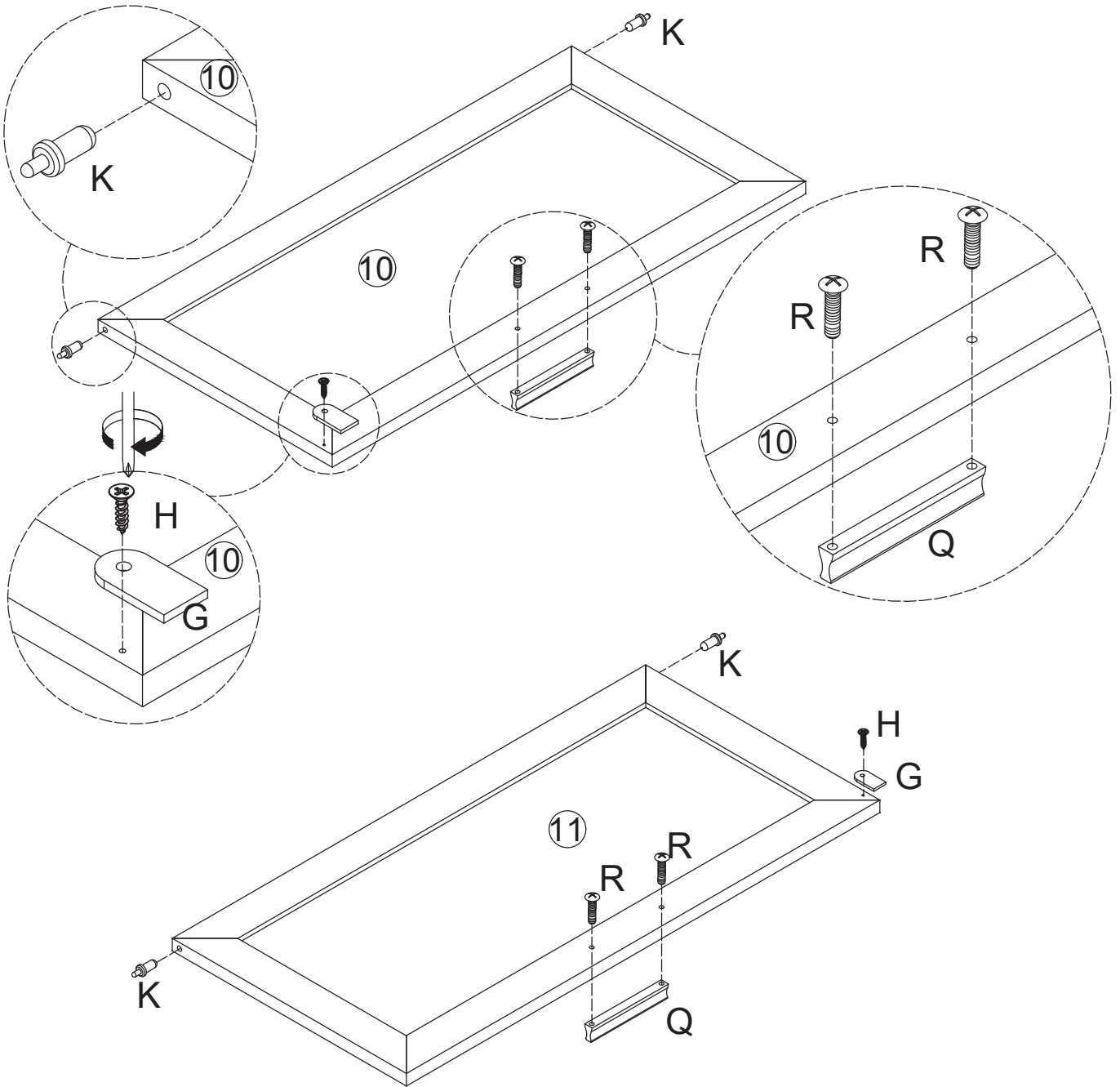




L X12


M X12
 Ø3x16mm





G X2

H X2

K X4

Q X2

R X4

