


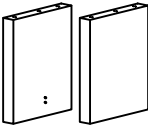
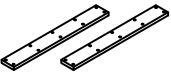


# ASSEMBLY INSTRUCTIONS

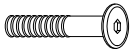
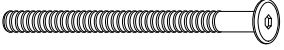
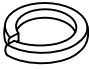


## 79" RECTANGLE DINING TABLE TOP RECTANGLE DINING TABLE BASE

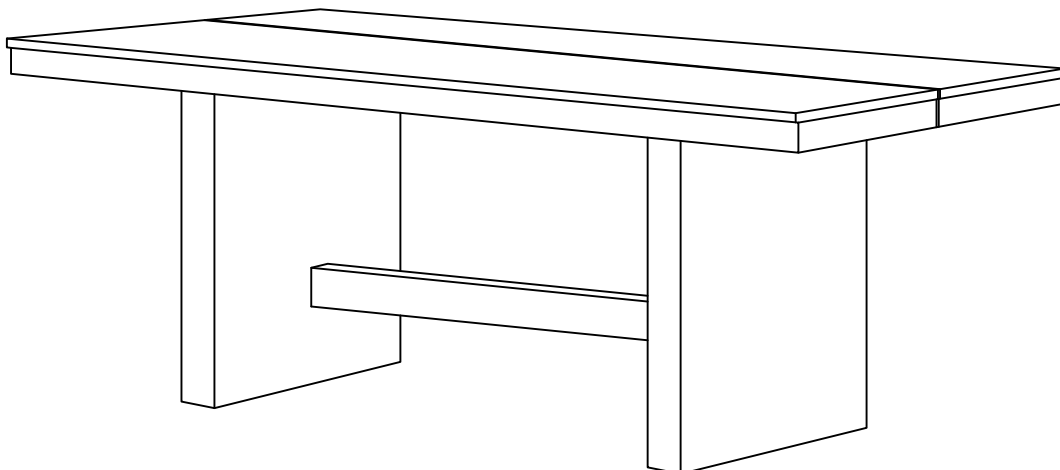
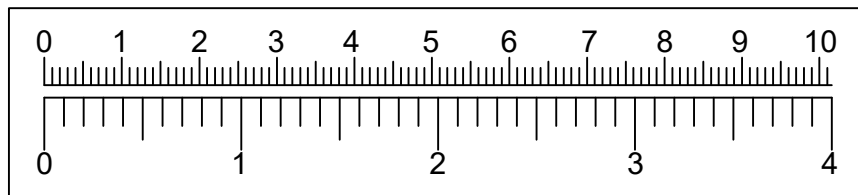
Thank you for purchasing this quality product. Be sure to check all packing materials carefully for small parts, which may have come loose inside the carton during shipment. Identify and count all items and compare with the parts list and/or hardware list shown below.

Cautions :

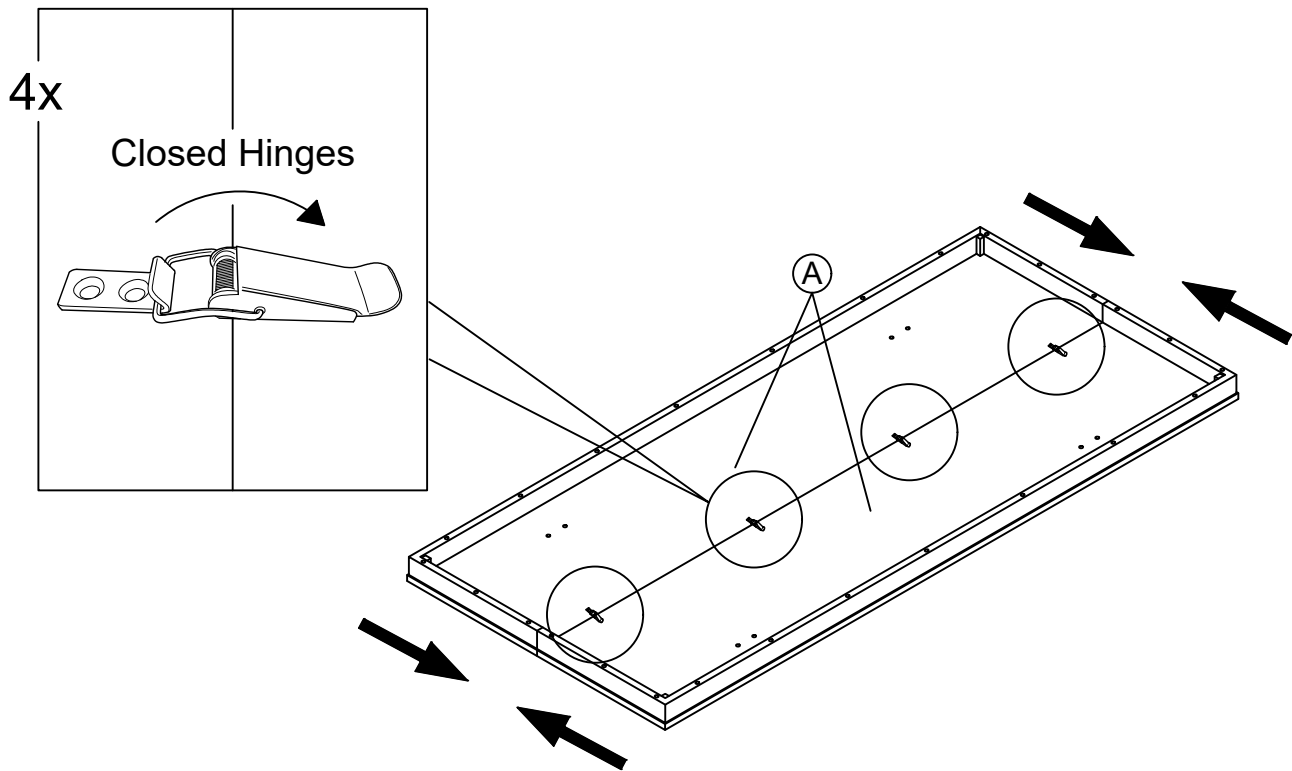
- (1) Do not fully-tighten the nuts or bolts until all nuts and bolts are assembled.  
(To avoid causing damages to the thread, do not over-tighten the nuts or bolts.)
- (2) Keep all hardware part out of reach of children.

PARTS LIST			
NO	DESCRIPTION	SKETCH	QTY
A	TABLE TOP		2 PCS
B	TABLE LEG		2 PCS
C	MOUNTING PLATE		2 PCS
D	RAIL		1 PC
E	SUPPORT BLOCK		4 PCS

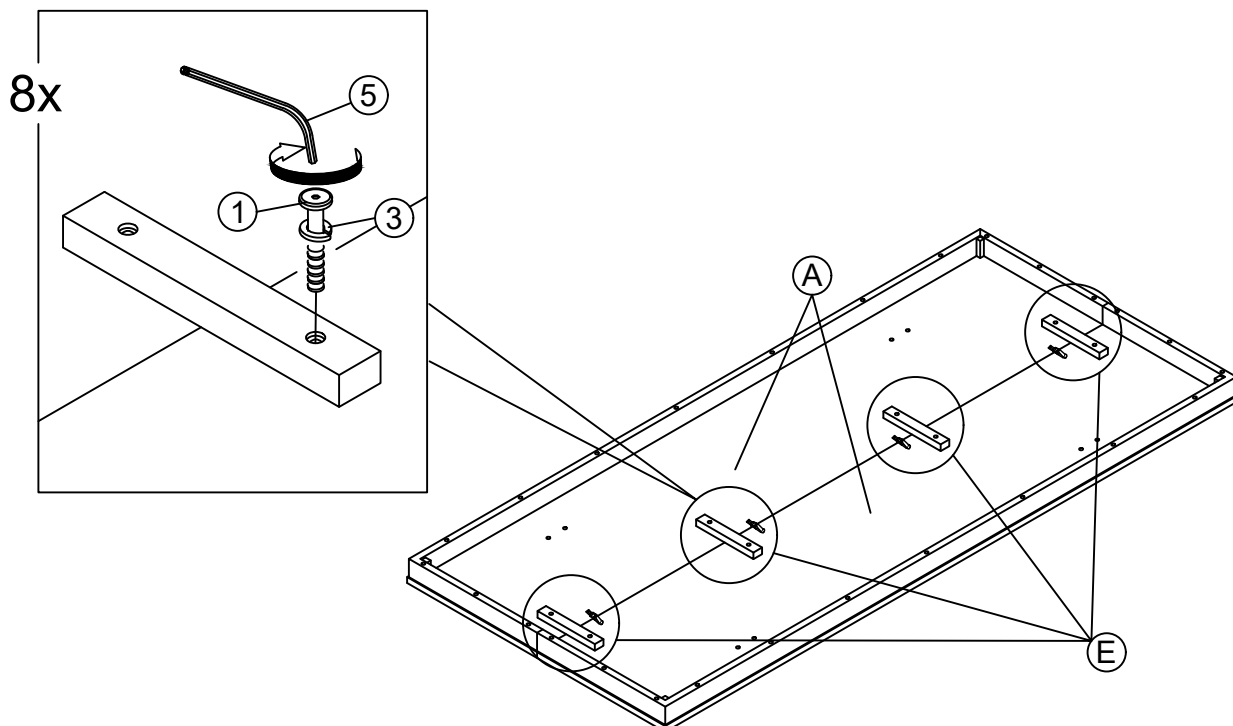
HARDWARE LIST			
NO	DESCRIPTION	SKETCH	QTY
1	BOLT 1/4" x 1 3/16"		28 PCS
2	BOLT 1/4" x 2"		2 PCS
3	SPRING WASHER 1/4"		30 PCS
4	WOOD DOWEL 1/2" x 1 5/8"		2 PCS
5	ALLEN KEY		1 PC



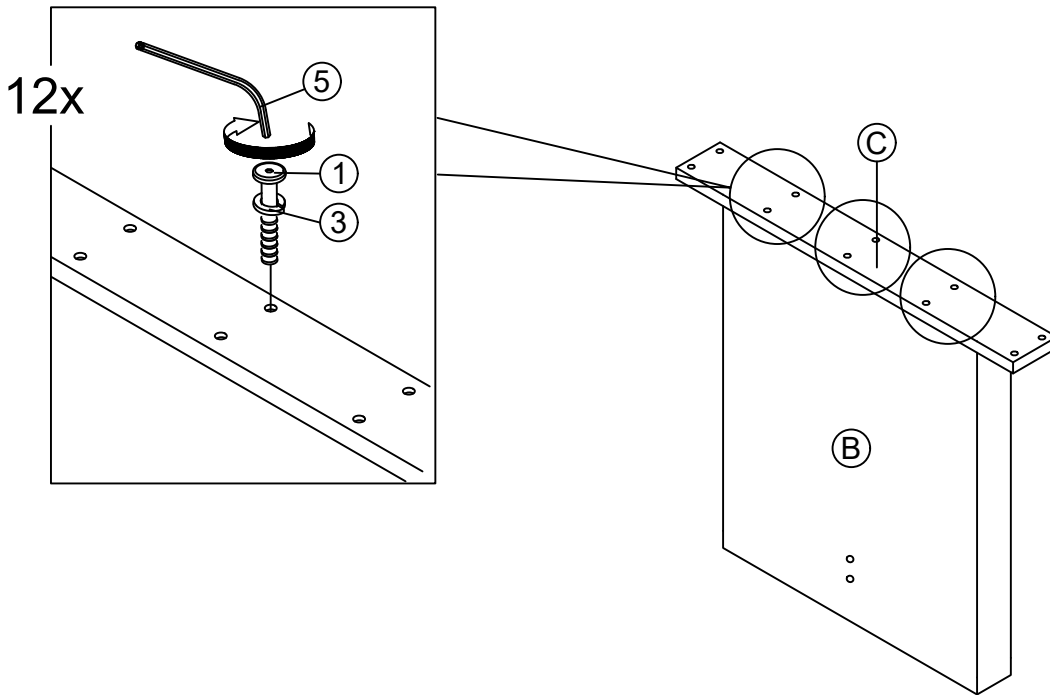
STEP 1 : Place the table top (A) upside down on a flat and clean surface. Attach the table top (A) and close the hinges.



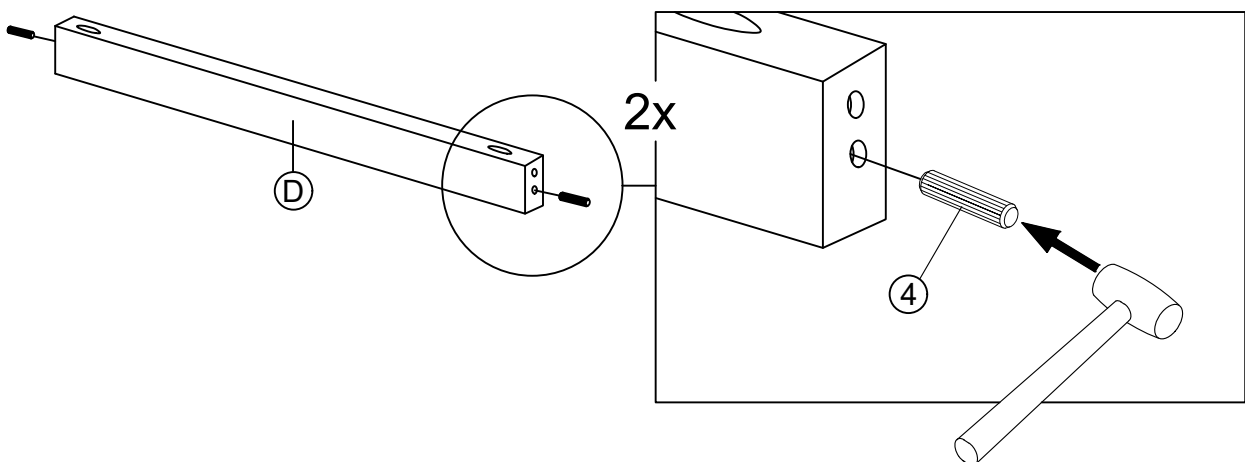
STEP 2 : Assemble the table top (A) with support block (E) by using the Allen Key (5) and the hardware Bolt 1/4" x 1 3/16" (1) & Spring washer (3).



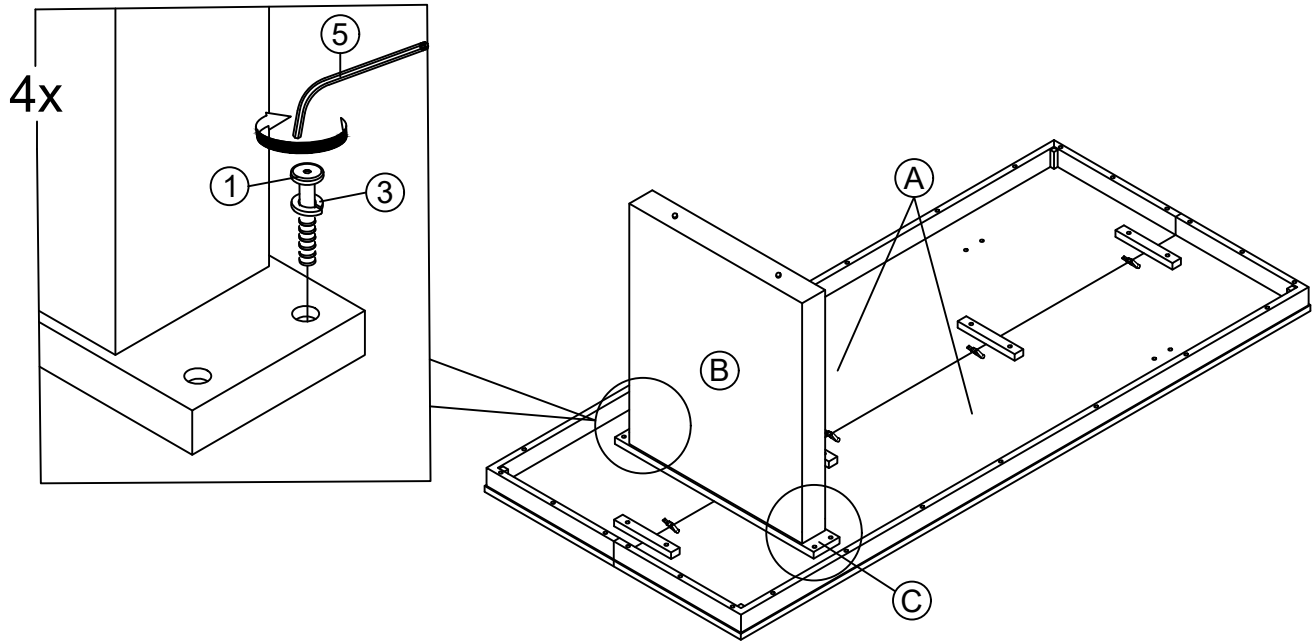
STEP 3 : Assemble the mounting plate (C) to the table leg (B) by using the Allen Key (5) and the hardware Bolt 1/4" x 1 3/16" (1) & Spring washer (3).



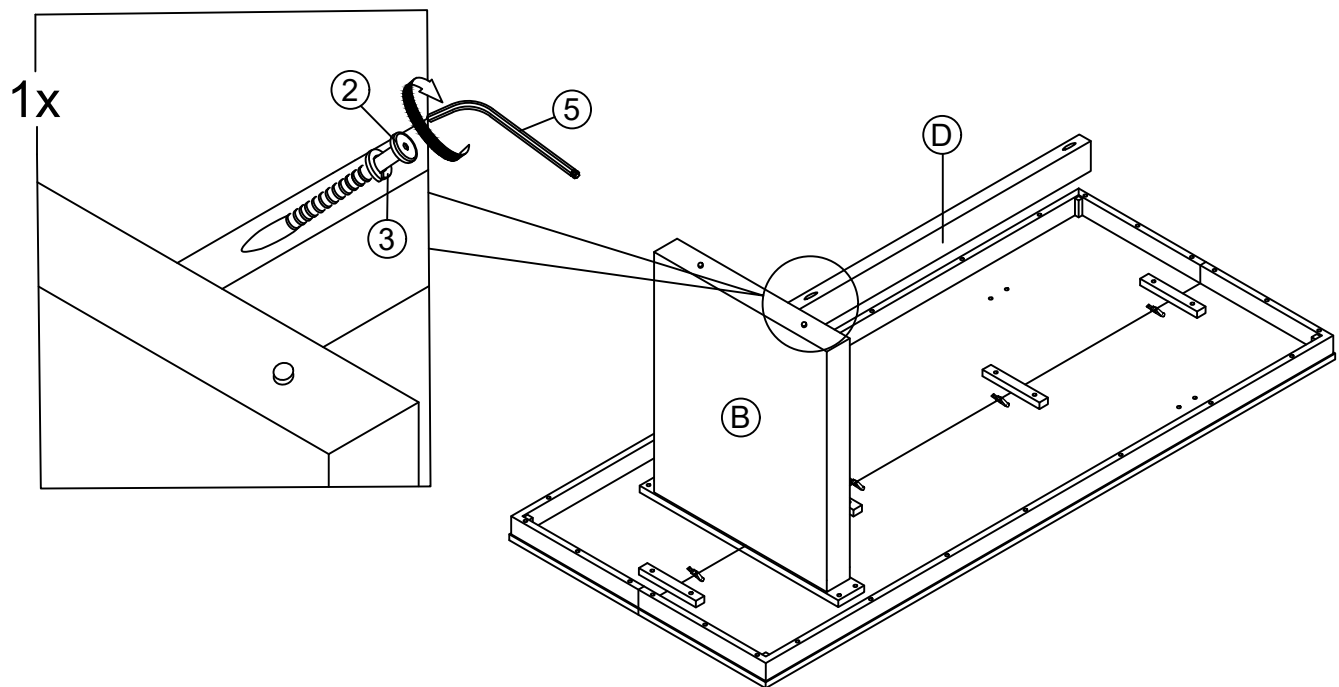
STEP 4 : Insert the wood dowel (4) into the hole on each end of the rail (D) by using a wood mallet.



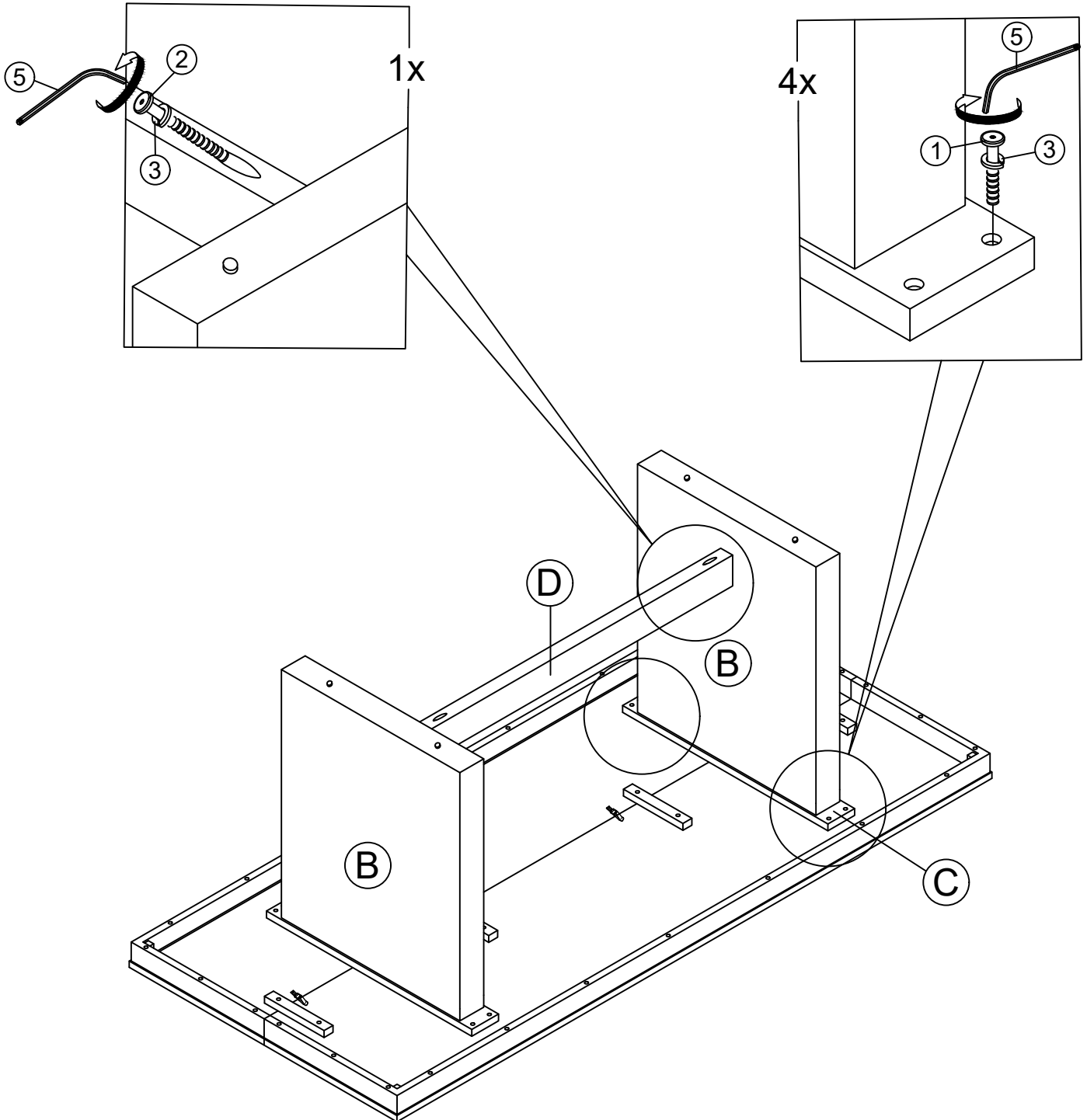
STEP 5 : Assemble the leg frames to the table top (A) by using the Allen Key (5) and the hardware Bolt 1/4" x 1 3/16" (1) & Spring washer (3).



STEP 6 : Assemble the rail (D) to the leg frames by using the Allen Key (5) and the hardware Bolt 1/4" x 2" (2) & Spring washer (3).



STEP 7 : Assemble the leg frames to the table top (A) & rail (D) by using the Allen Key (5) and the hardware Bolt 1/4" x 1 3/16" (1), Bolt 1/4" x 2" (2) & Spring washer (3).



COMPLETED ASSEMBLY.

