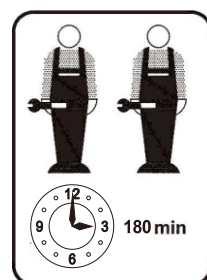
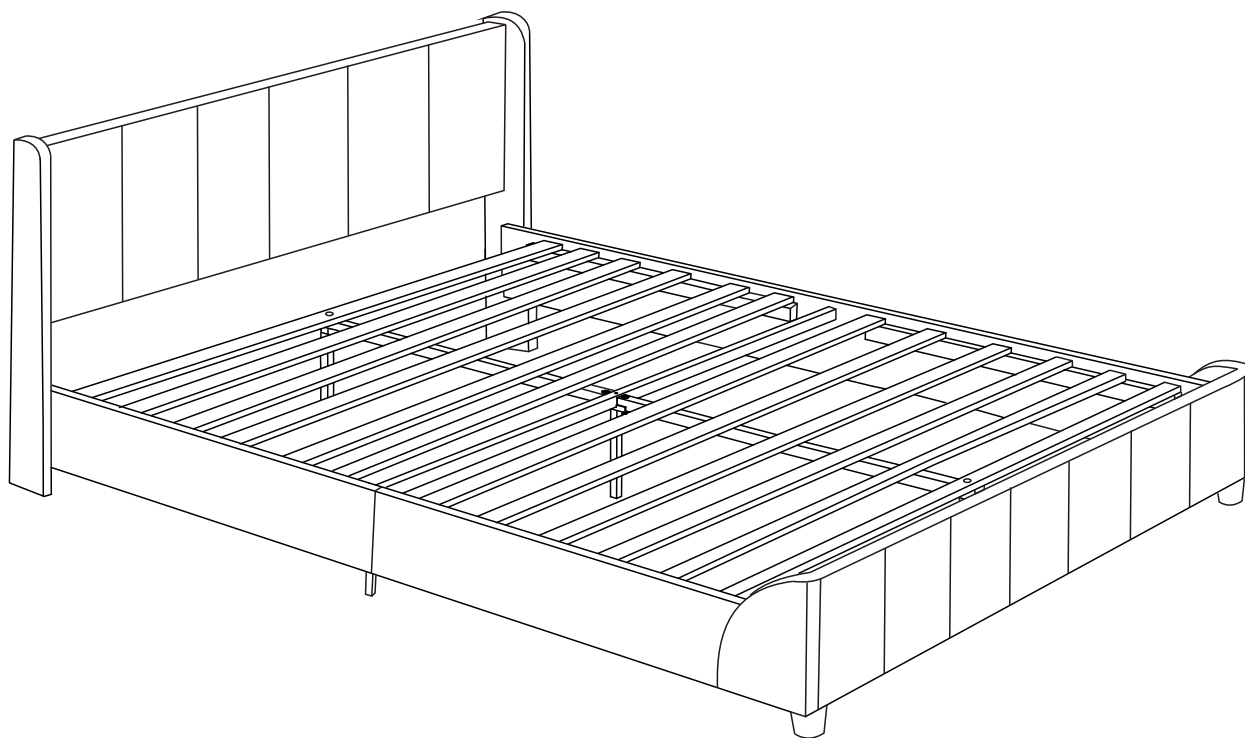


ASSEMBLY INSTRUCTIONS

Item Number : N604P186883G

BED 135*190cm

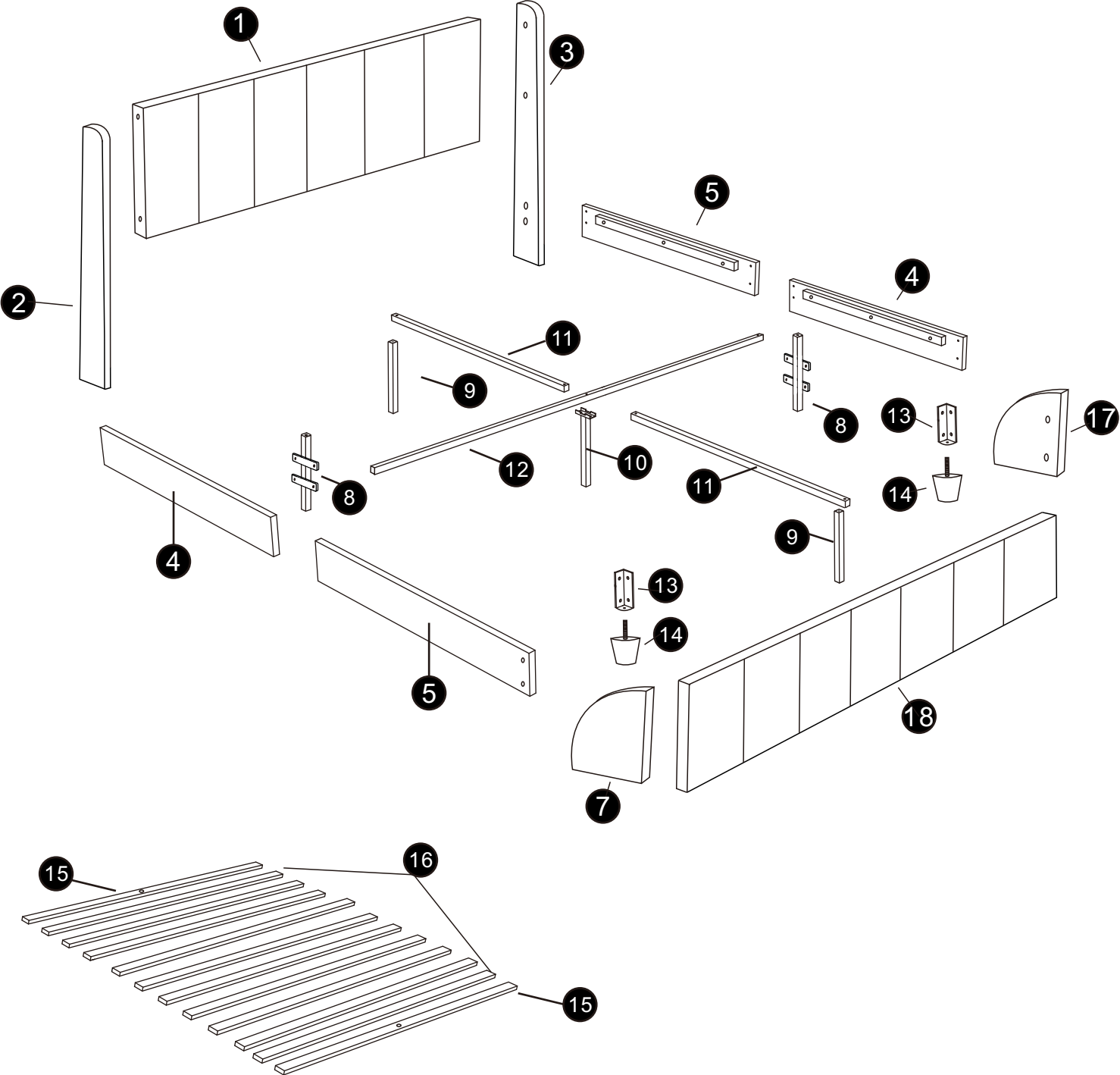


INSTRUCTIONS

IMPORTANT-READ CAREFULLY-RETAIN FOR FUTURE REFERENCE

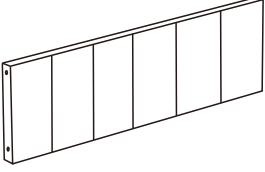


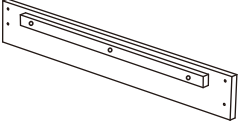
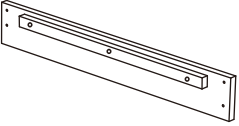
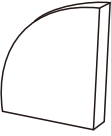
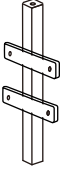

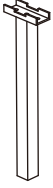
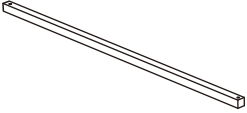
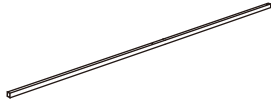
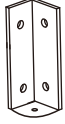

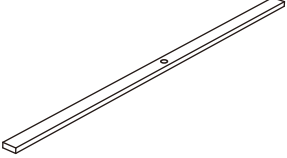
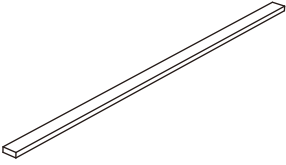
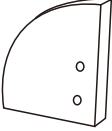
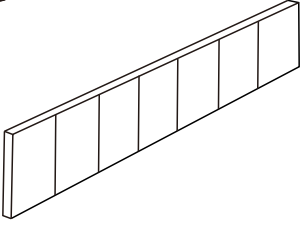
- a) WARNING** -Children can become trapped between the bed and the wall, the adjoining pieces of furniture (e.g. cupboards) and the Ikea. To avoid risk of serious injury the distance between the safety barrier and the adjoining structure shall not exceed 75 mm or shall be more than 230 mm.
- b) WARNING**-Do not use the bed if any structural part is broken or missing; Replacement parts are between requested from the manufacturer or the store.
- c) WARNING**-Do not climb or wiggle on any non-designated structures.
- d)** It is imperative to always follow the installation instructions and manufacturer's use.
- e)** The recommended size of the mattress to be used with the bed is **135x190cm**, maximum thickness mattress:**20cm**.
- f)** It is necessary to ventilate the room in order to maintain a low level moisture and prevent mold growth in the bed and its periphery.
- g)** Joining devices should always be tightened properly and regularly verified. Tighten if necessary.

EXPLODED VIEW



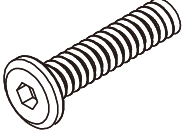

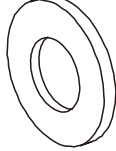
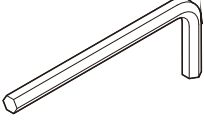
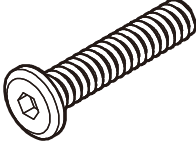
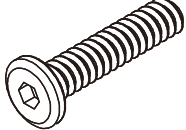
PARTS LIST

N604P186883G

1 x1 	2 x1 	3 x1 	4 x2 
5 x2 	7 x1 	8 x2 	9 x2 
10 x1 	11 x2 	12 x1 	13 x2 
14 x2 	15 x2 	16 x10 	17 x1 
18 x1 			

PARTS LIST

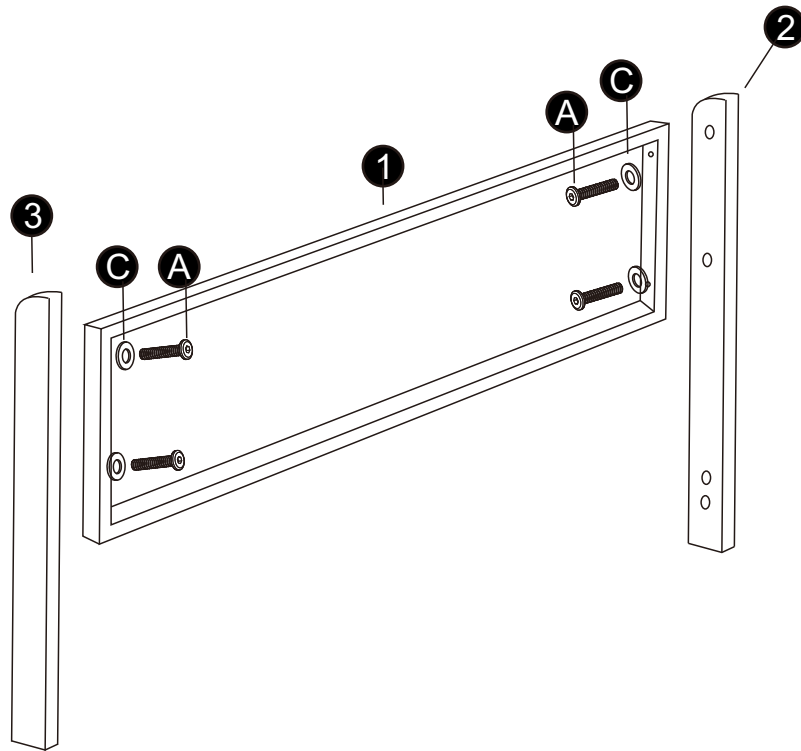
Hardware List N604P186883G

<p>A: x13</p>  <p>M6*35mm</p>	<p>B: x12</p>  <p>M6*20mm</p>	<p>C: x8</p>  <p>M8</p>	<p>D: x1</p>  <p>Allen Key M6</p>
<p>E: x4</p>  <p>M6*40mm</p>	<p>G: x2</p>  <p>M6*50mm</p>		

ASSEMBLY

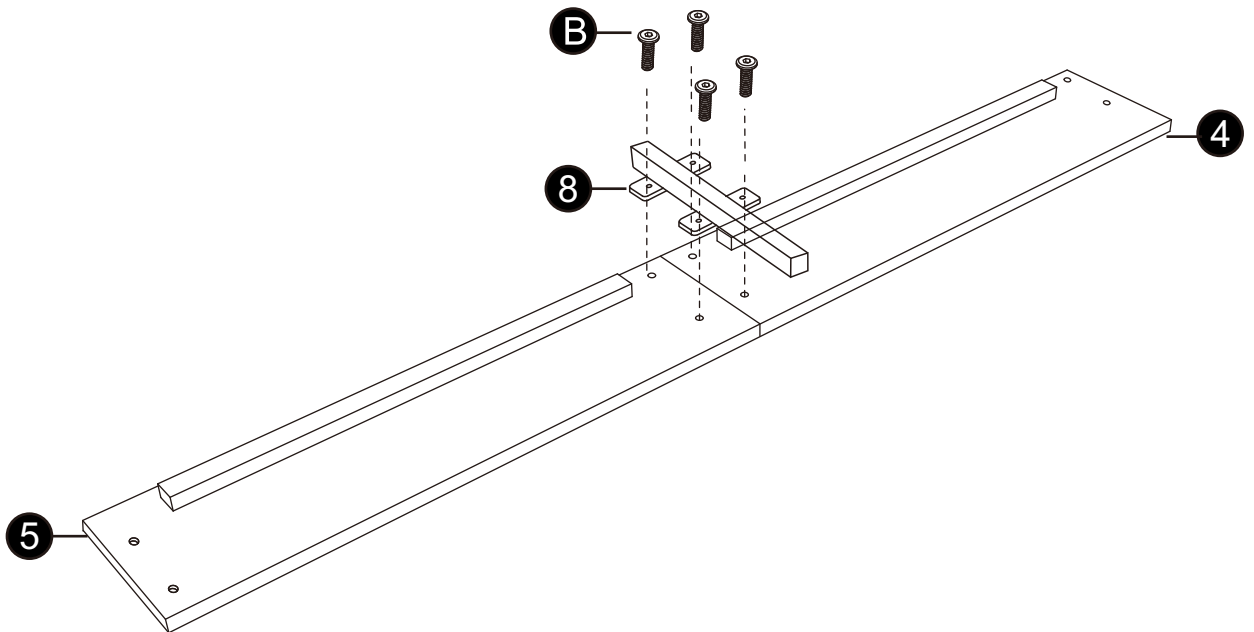
Note: Please do not tighten all bolts until the bed is assembled completely.

Step 1



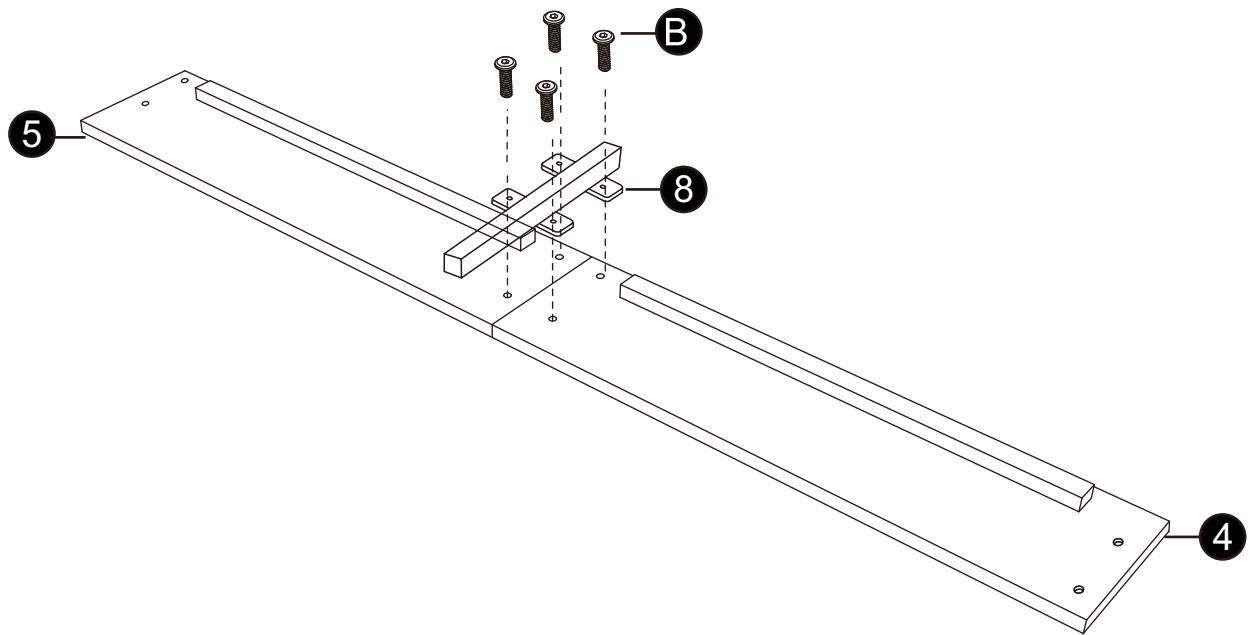
A		M6*35mm	4
C			4

Step 2



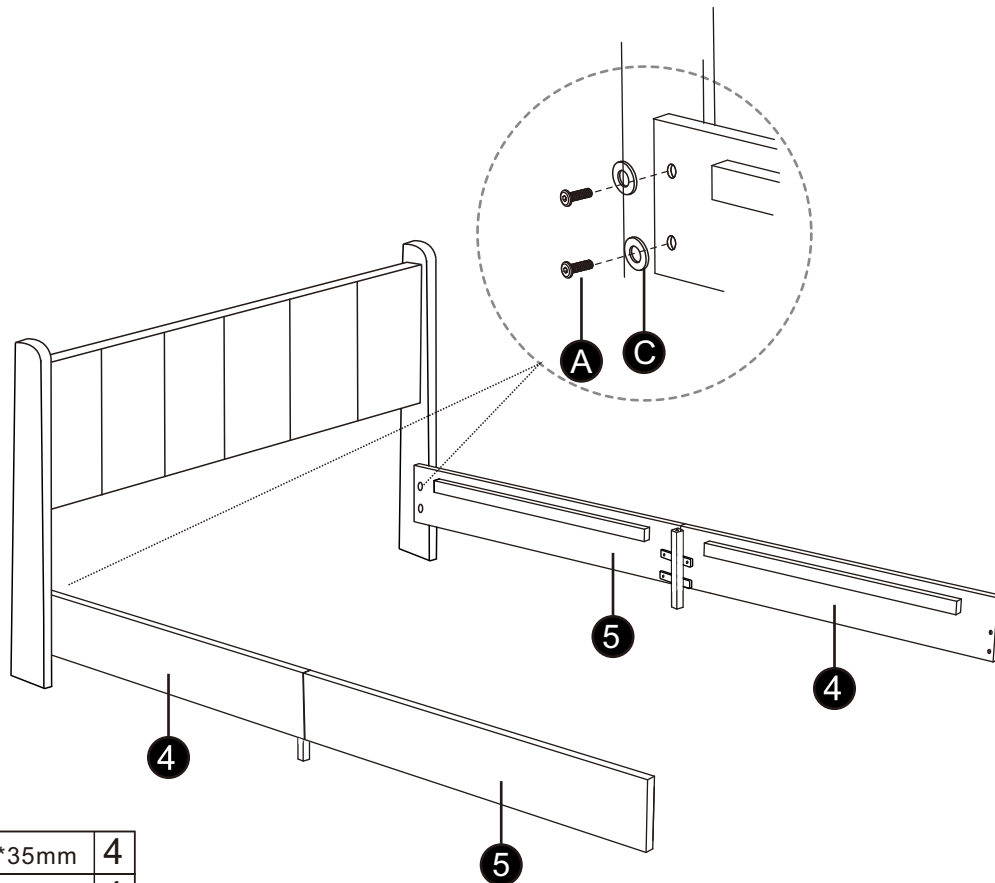
B		M6*20mm	4
---	---	---------	---

Step 3



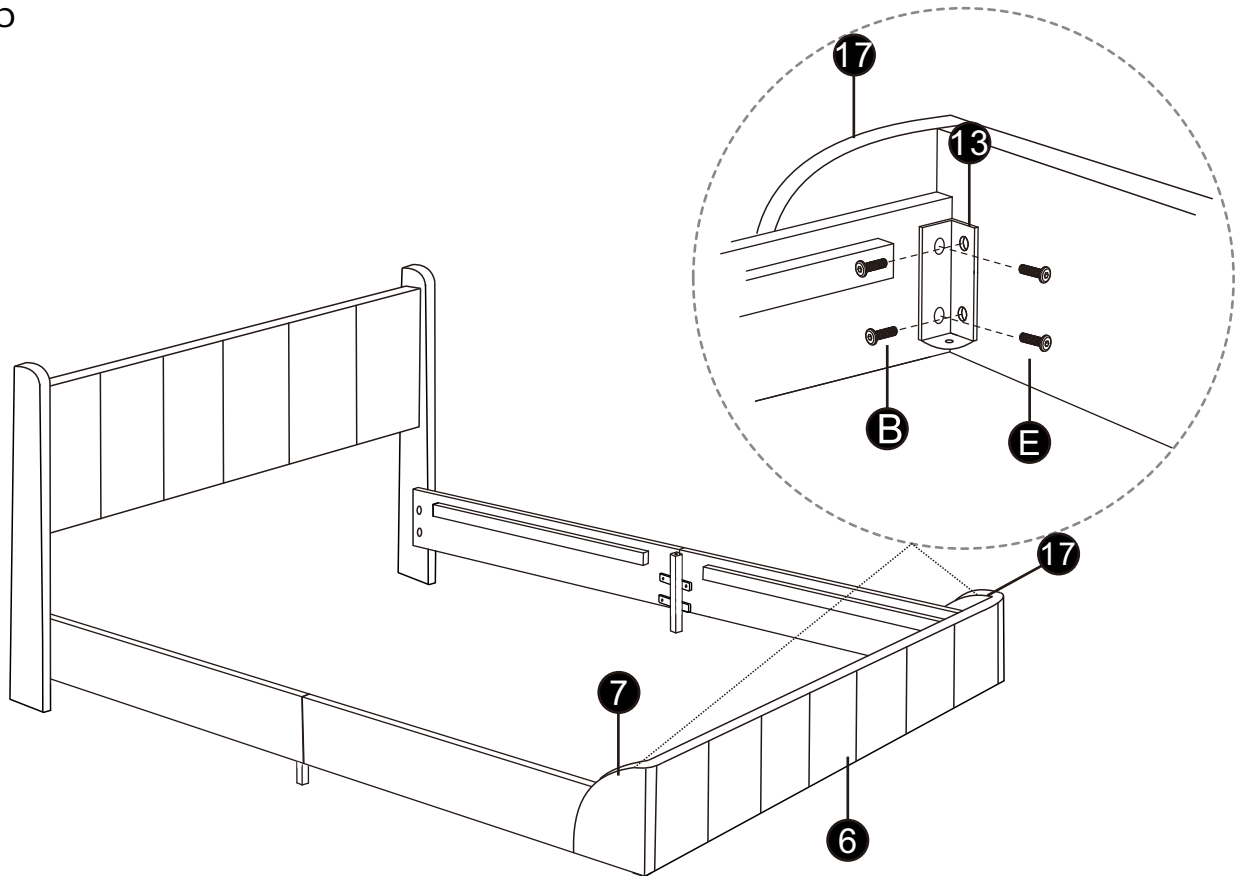
B		M6*20mm	4
---	---	---------	---

Step 4



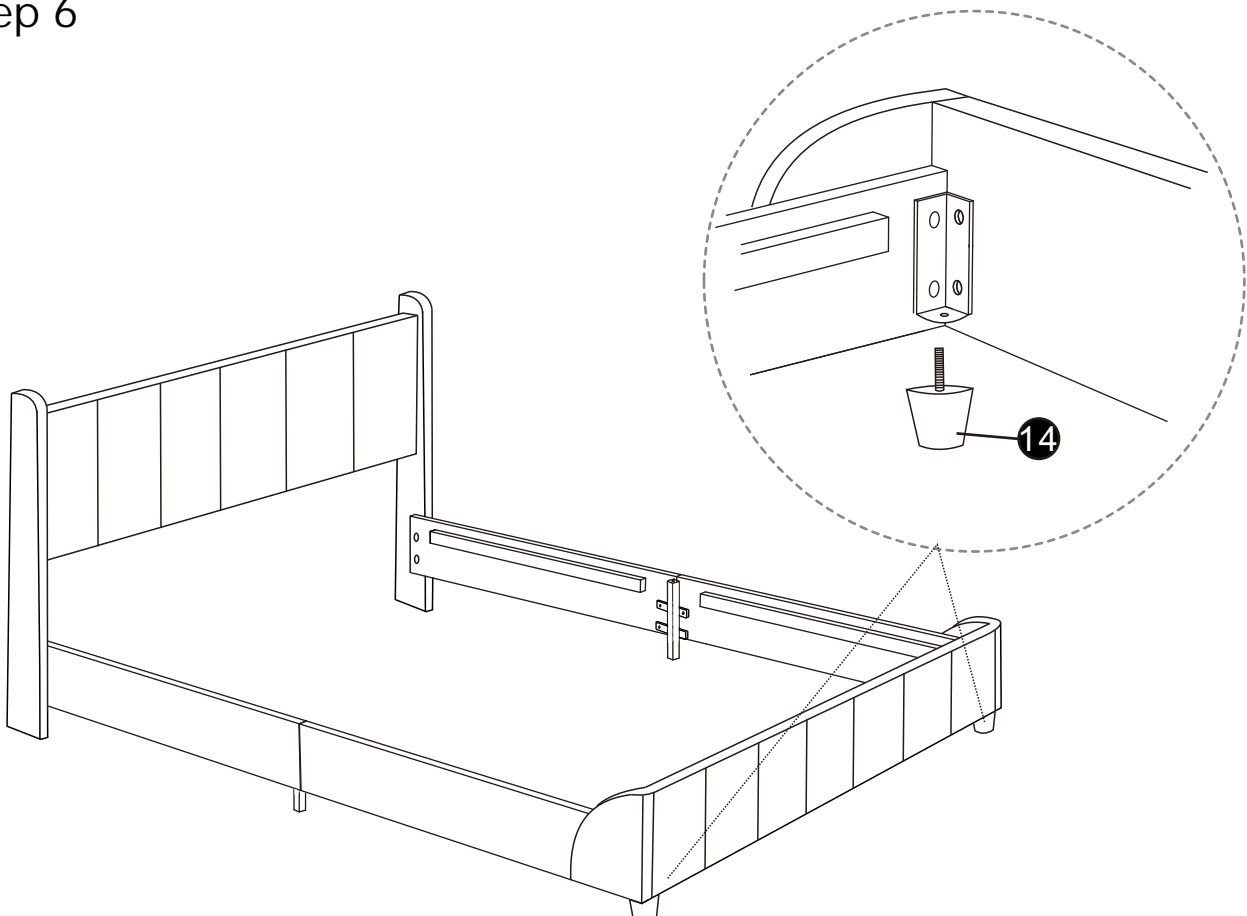
A		M6*35mm	4
C			4

Step 5

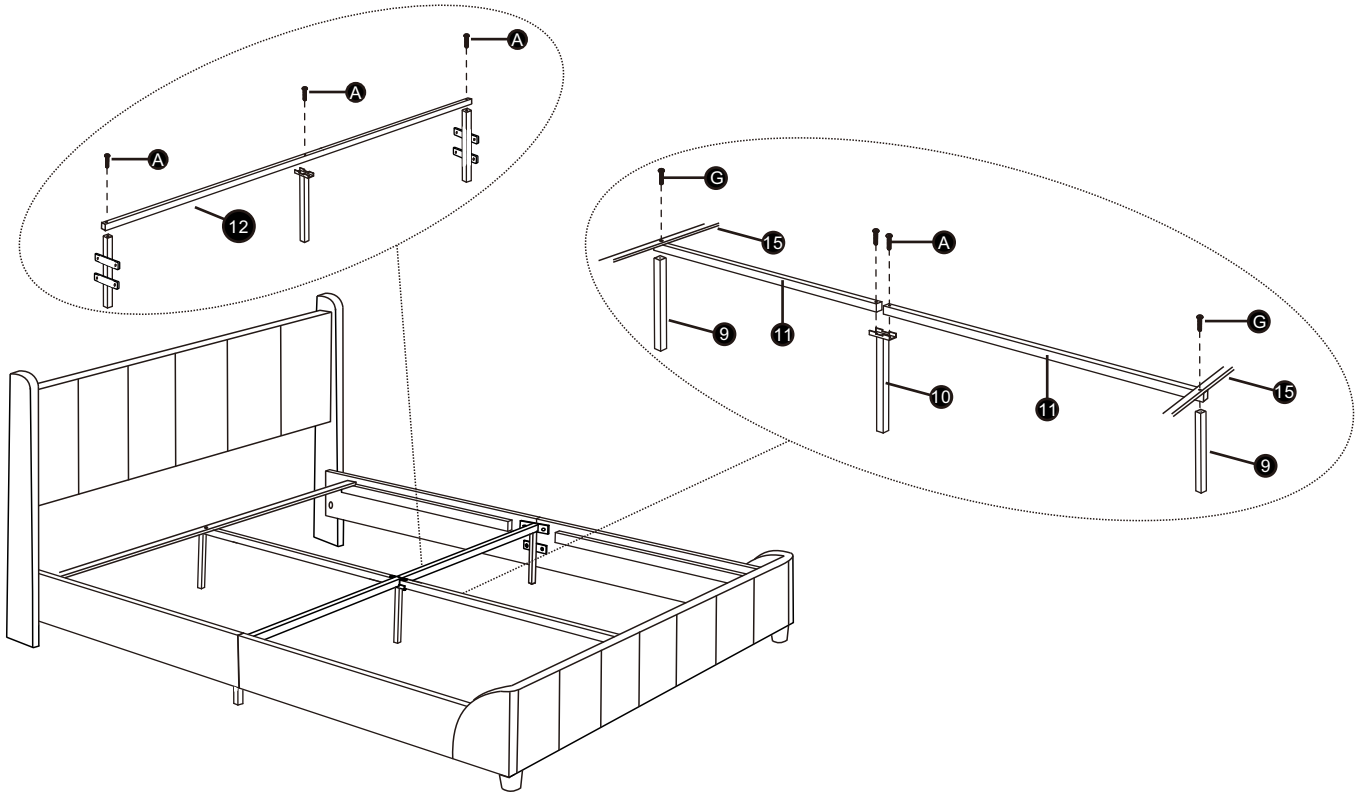




B		M6*20mm	4
E		M6*40mm	4

Step 6

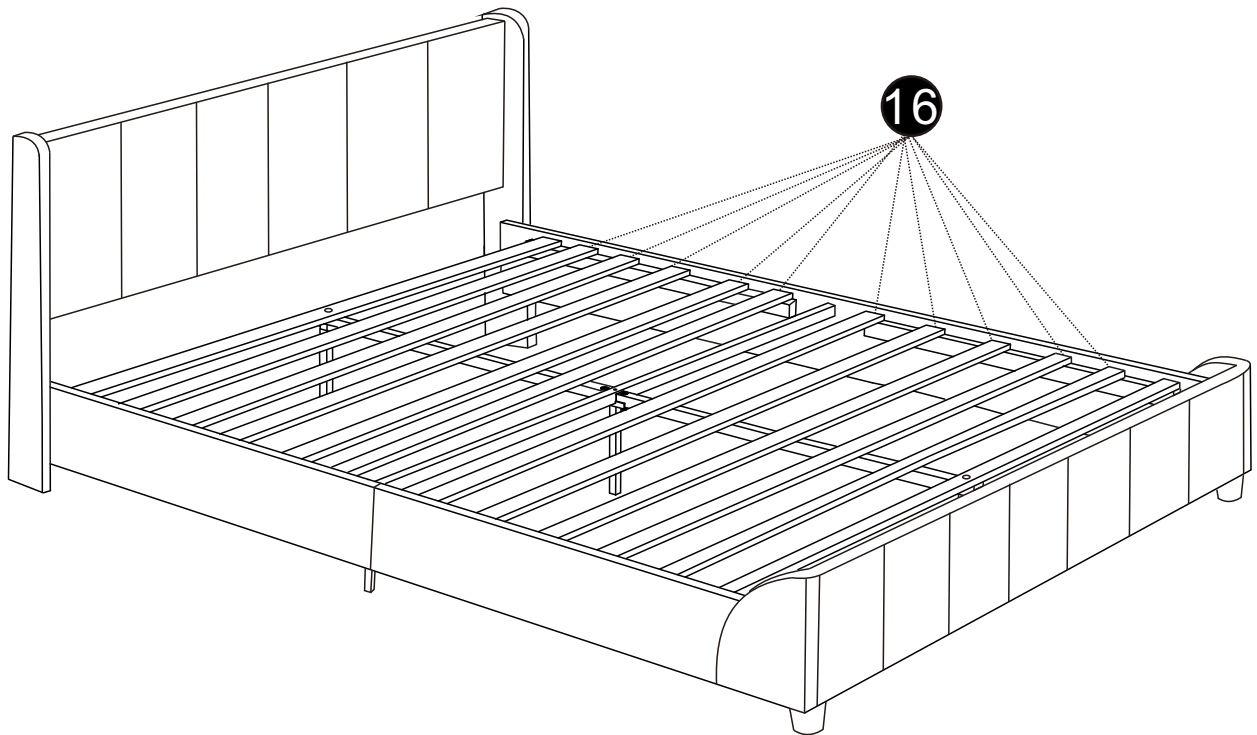


Step 7



A		M6*35mm	5
G		M6*50mm	2

Step 8



Step 9

