



ASSEMBLY INSTRUCTIONS

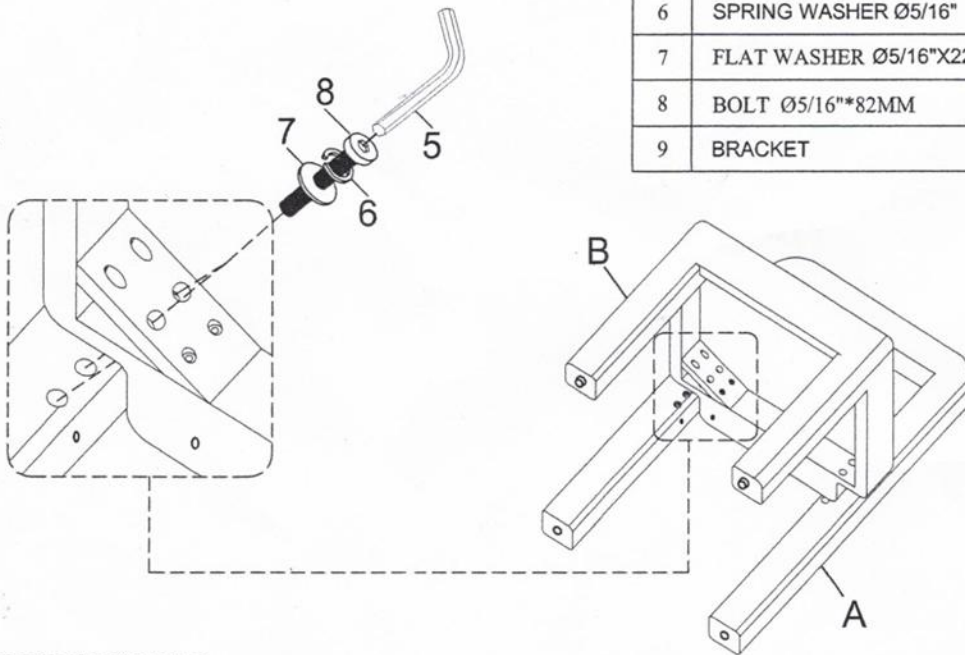
PARST LIST

No.	DESCRIPTION	SKETCH	Q'TY
A	CHAIR BACK		1PC
B	CUSHION SEAT		1PC

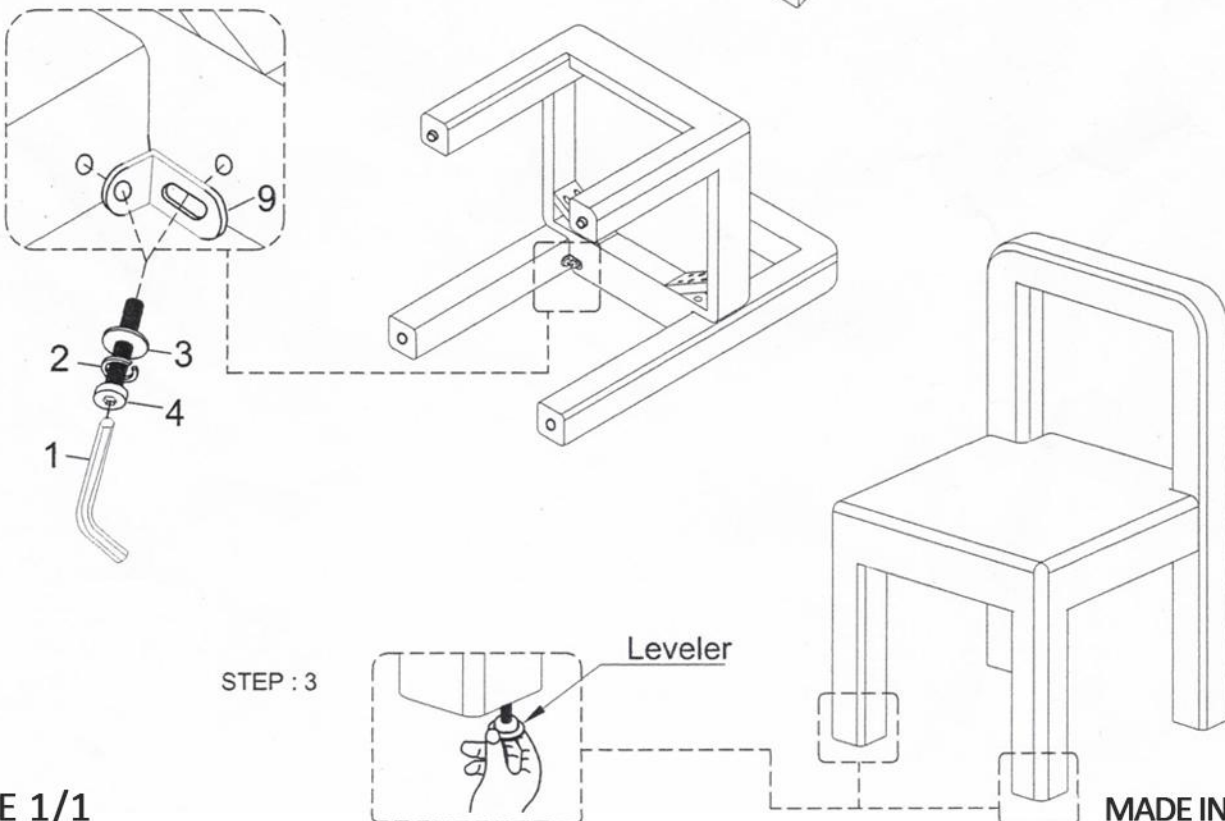
HARDWARE LIST

NO.	DESCRIPTION	SKETCH	Q'TY
1	ALLEN KEY 4MM		1PC
2	SPRING WASHER Ø1/4"		4PCS
3	FLAT WASHER Ø1/4"X16MM		4PCS
4	BOLT Ø1/4"*20MM		4PCS
5	ALLEN KEY 5MM		1PC
6	SPRING WASHER Ø5/16"		4PCS
7	FLAT WASHER Ø5/16"X22MM		4PCS
8	BOLT Ø5/16"*82MM		4PCS
9	BRACKET		2PCS

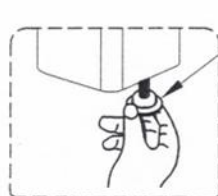
STEP : 1



STEP : 2



STEP : 3



Leveler