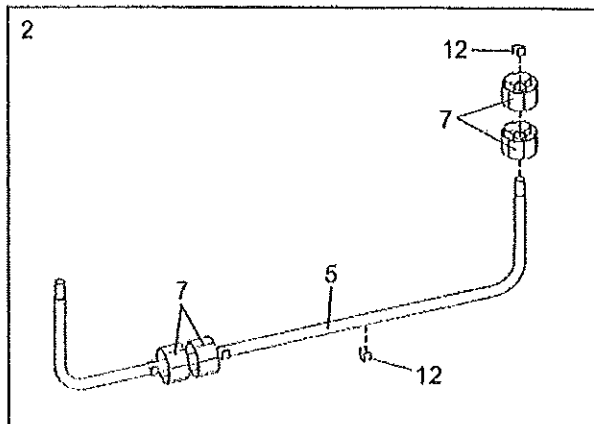


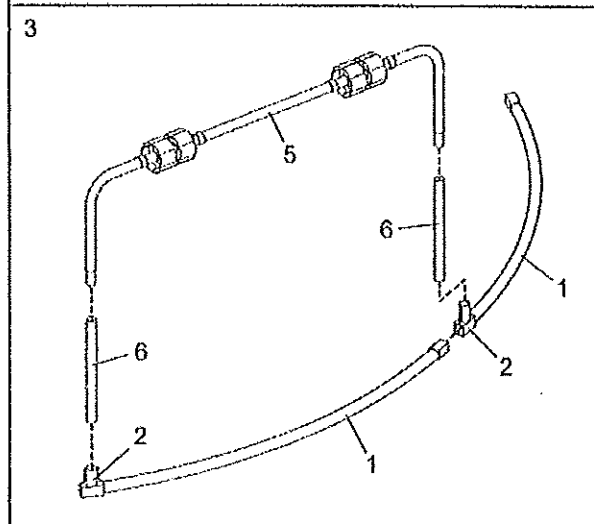
2. Snap a C-clip (12) onto the Wheel Base (5) in the location shown. Slide a Wheel (7) onto the Wheel Base until the Wheel rests against the C-clip. Slide another Wheel onto the Wheel Base until it rests against the first Wheel. Snap another C-clip onto the Wheel Base beside the second Wheel.

Repeat this step to assemble the remaining two Wheels (7).



3. Lay two Top Tubes (1) on the ground as shown. Make sure there is a Socket (2) on each Top Tube. Insert the small end of one Top Tube into the Socket on the other Top Tube.

Insert a Leg Extension (6) into each Socket (2). Insert the Wheel Base (5) into the Extension Legs (6).



4. Note: This step requires two persons. During this step, you will connect the four leg sections.

Hold two leg sections in the positions shown. Insert the small end of one Top Tube (1) into the Socket (2) on another Top Tube.

Repeat this step until all four leg sections are connected.

