

# **INSTALLATION**

*Product Manual*



### **IMPORTANT INFORMATION!**

please read the entire manual before starting to assemble and/or using this product. follow the manual thoroughly and keep it for further reference.



### **AVOID SCRATCHES!**

In order to avoid scratching this furniture should be assembled on a soft layer- could be a rug.



### **IMPROVE EFFICIENCY !**

Try to find a partner to install with you, which can speed up the installation efficiency and shorten the time.



### **ANTI-TOPPLE WARNING !**

Overturnd furniture can cause serious or fatal crush injuries. To prevent tipping over, be sure to use the wall attachment, if not included with this product. Please purchase the wall attachment that fit your wall. If unsure, seek professional advice. Please read and follow each step of the instructions carefully.

### **IMPORTANT !**

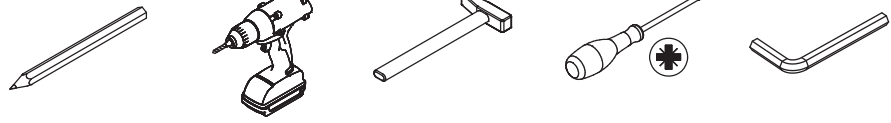
It is important that any product which is assembled using any kind of screw is re-tightened 2 weeks after assembly, and once every 3 months - in order to assure stability through-out the lifespan of the product.

For regular maintenance and cleaning of the product, for the frame, please use a rag dipped in neutral detergent to fully wipe it, and then dry it with a clean rag. For glass materials, wipe with a rag dampened with water glass cleaner, and then dry with a dry rag.

Do not use an electric screwdriver, and do not use too much force when installing, because the board is easy to break.

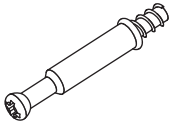


Please prepare the following tools



When installing, please carefully confirm whether each screw corresponds to the manual, accessories with similar shapes can be distinguished by size

A x 126



Ø5 x 40 mm

B x 188



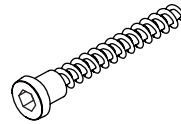
Ø3 x 12 mm

C x 126



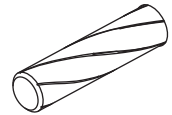
Ø15 x 10 mm

D x 1



Ø6 x 40 mm

E x 39



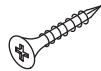
Ø6 x 30 mm

F x 42



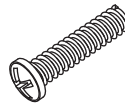
Ø3.5 x 25 mm

G x 14



Ø4 x 20 mm

H x 2

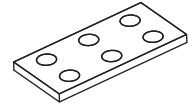


Ø4 x 28 mm

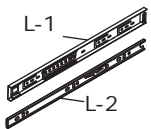
J x 24



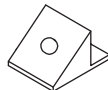
K x 4



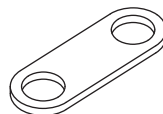
L x 12



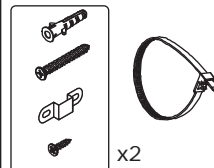
M x 40



N x 8



O x 2



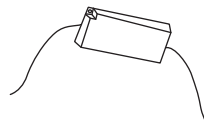
P x 2



Q x 1



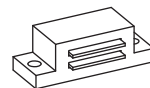
R x 1



S x 4



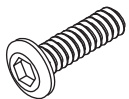
T x 8



U x 12

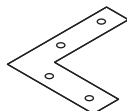


V x 8

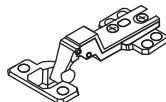


Ø6 x 25 mm

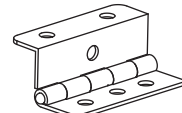
W x 2



X x 6

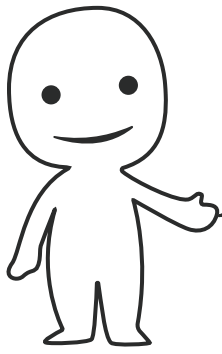


Y x 8

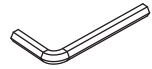
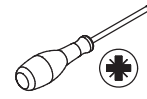
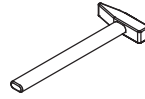
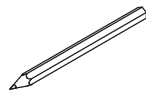


Z x 1



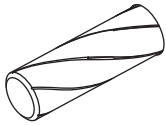


Please prepare the following tools



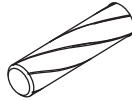
When installing, please carefully confirm whether each screw corresponds to the manual, accessories with similar shapes can be distinguished by size

a x 6



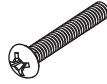
Ø8 x 30 mm

b x 12



Ø5 x 25 mm

d x 4



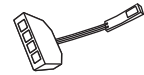
M4 x 22 mm

e x 108



Ø3 x 14 mm

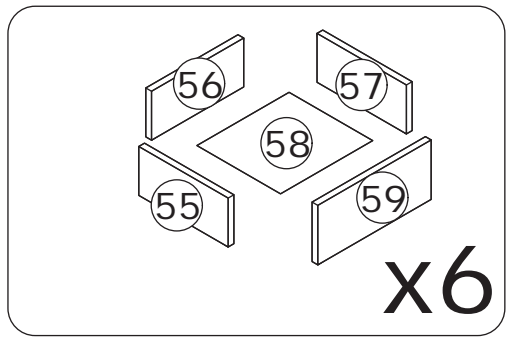
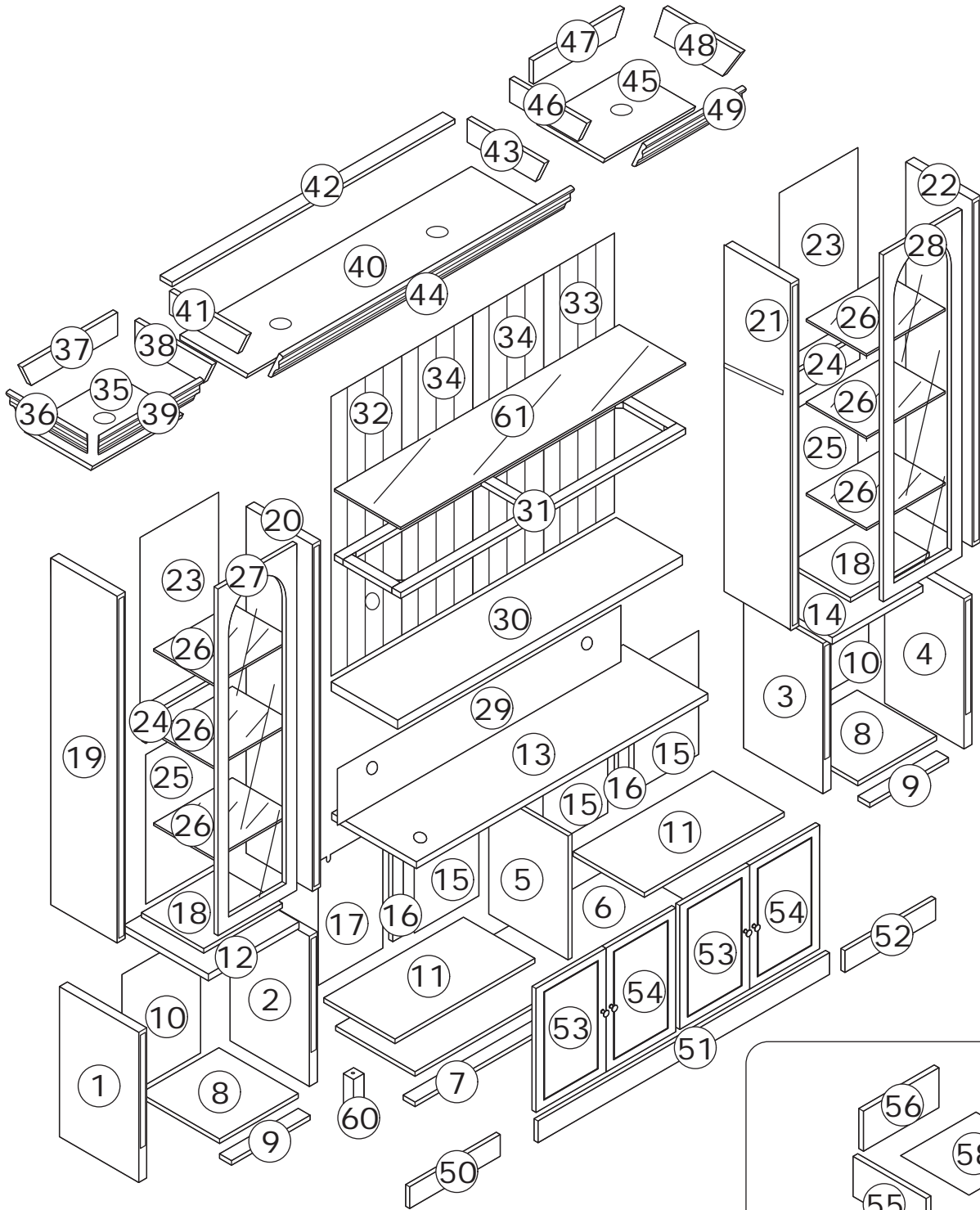
f x 1



g x 6



M4 x 20 mm

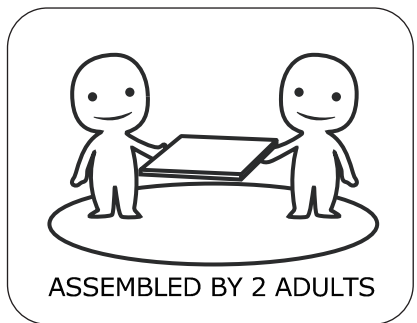


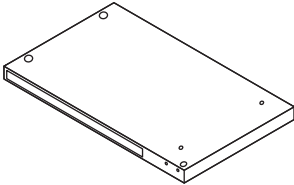
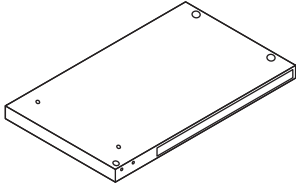
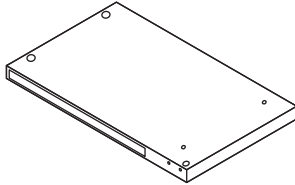
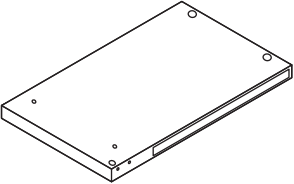
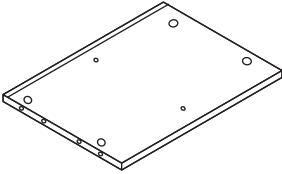
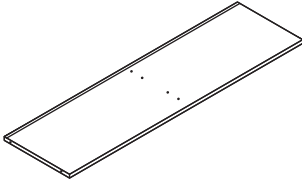
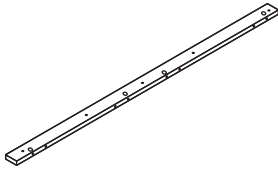
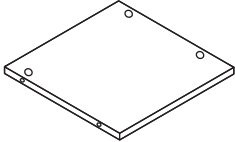
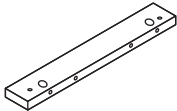
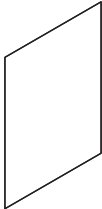
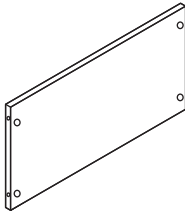
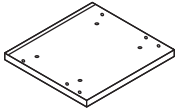
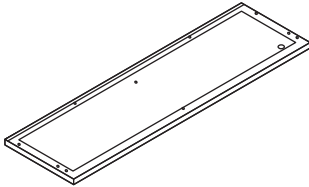
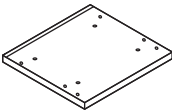


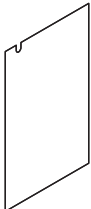
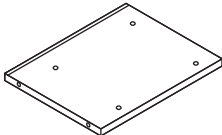
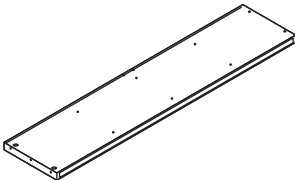
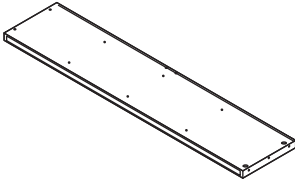
**⚠ WARNING**

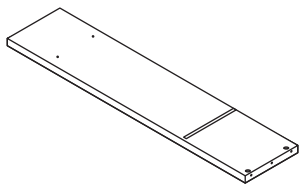
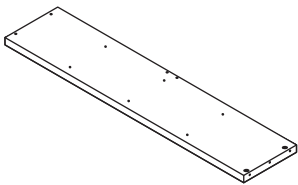

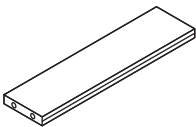
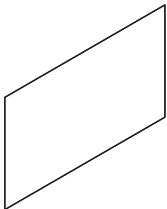
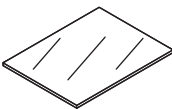


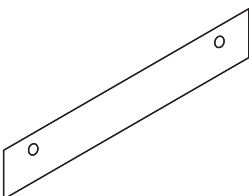
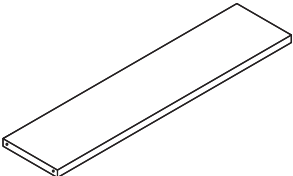
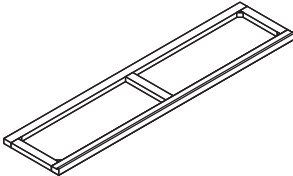

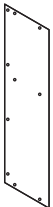
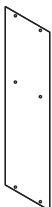
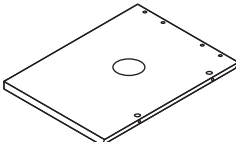
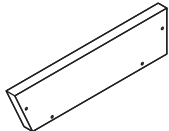
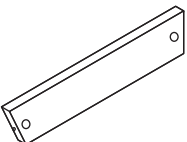
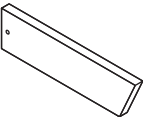
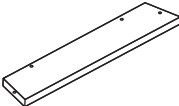
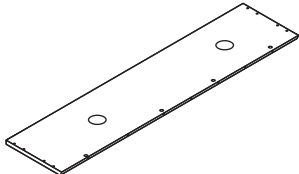
**Children have died from furniture tipover. To reduce the risk of furniture tipover:**

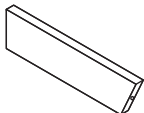
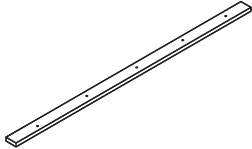
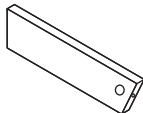
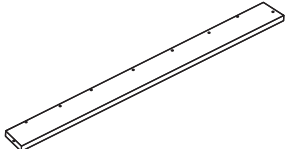
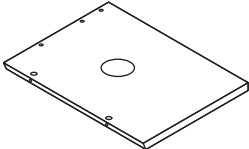
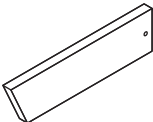
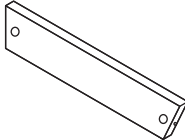
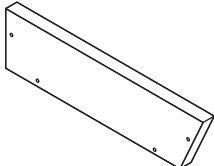
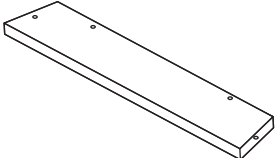
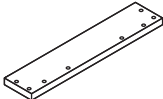
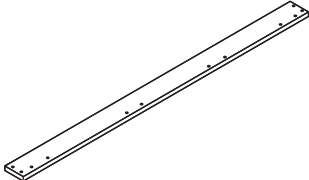
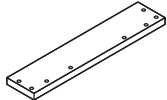
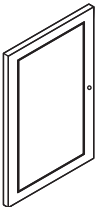
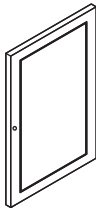
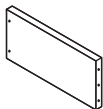
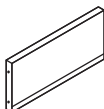
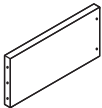
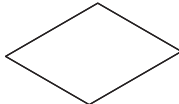
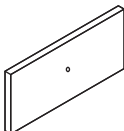

- ALWAYS install Anti-tip device provided.
- NEVER put a TV on this product.
- NEVER allow children to stand, climb or hang on drawers, doors, or shelves.
- NEVER open more than one drawer at a time.
- Place heaviest items in the lowest drawers.

*This is a permanent label. Do not remove!*

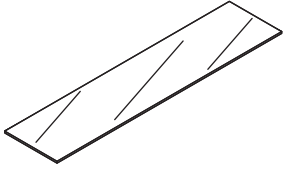


<p>① x1</p> 	<p>② x1</p> 	<p>③ x1</p> 	<p>④ x1</p> 
<p>⑤ x1</p> 	<p>⑥ x1</p> 	<p>⑦ x1</p> 	<p>⑧ x2</p> 
<p>⑨ x2</p> 	<p>⑩ x2</p> 	<p>⑪ x2</p> 	<p>⑫ x1</p> 
<p>⑬ x1</p> 	<p>⑭ x1</p> 	<p>⑮ x3</p> 	<p>⑯ x2</p> 
<p>⑰ x1</p> 	<p>⑱ x2</p> 	<p>⑲ x1</p> 	<p>⑳ x1</p> 

<p>21 x1</p> 	<p>22 x1</p> 	<p>23 x2</p> 	<p>24 x2</p> 
<p>25 x2</p> 	<p>26 x6</p> 	<p>27 x1</p> 	<p>28 x1</p> 
<p>29 x1</p> 	<p>30 x1</p> 	<p>31 x1</p> 	<p>32 x1</p> 
<p>33 x1</p> 	<p>34 x2</p> 	<p>35 x1</p> 	<p>36 x1</p> 
<p>37 x1</p> 	<p>38 x1</p> 	<p>39 x1</p> 	<p>40 x1</p> 

<p>④① x1</p> 	<p>④② x1</p> 	<p>④③ x1</p> 	<p>④④ x1</p> 
<p>④⑤ x1</p> 	<p>④⑥ x1</p> 	<p>④⑦ x1</p> 	<p>④⑧ x1</p> 
<p>④⑨ x1</p> 	<p>⑤⑩ x1</p> 	<p>⑤① x1</p> 	<p>⑤② x1</p> 
<p>⑤③ x2</p> 	<p>⑤④ x2</p> 	<p>⑤⑤ x6</p> 	<p>⑤⑥ x6</p> 
<p>⑤⑦ x6</p> 	<p>⑤⑧ x6</p> 	<p>⑤⑨ x6</p> 	<p>⑥⑩ x1</p> 

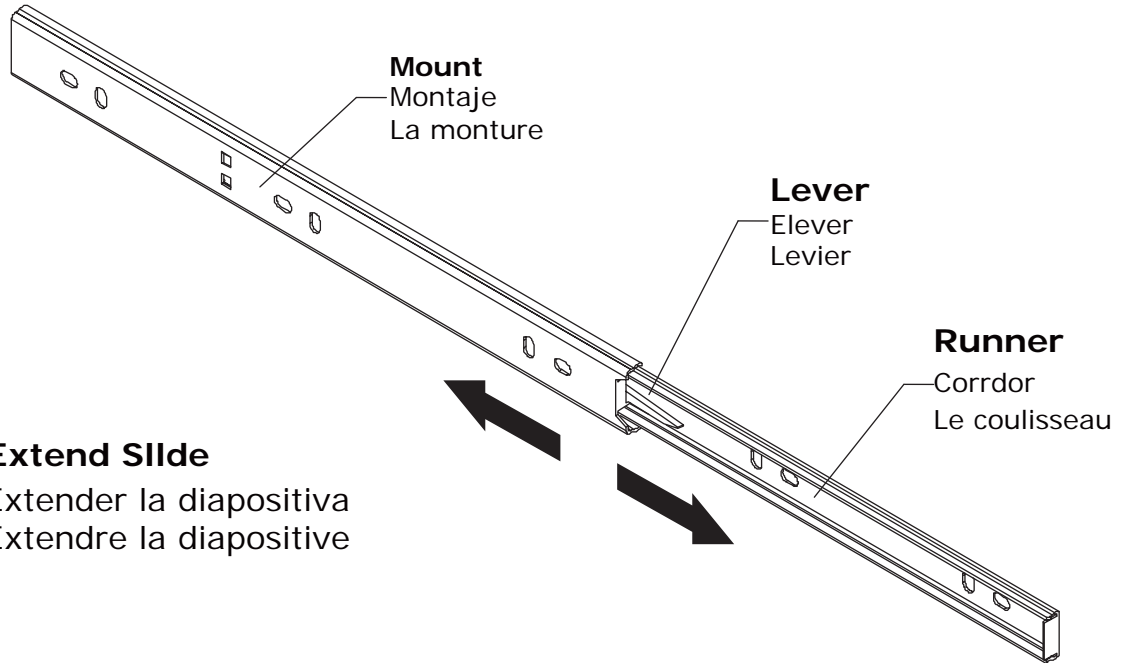
61x1



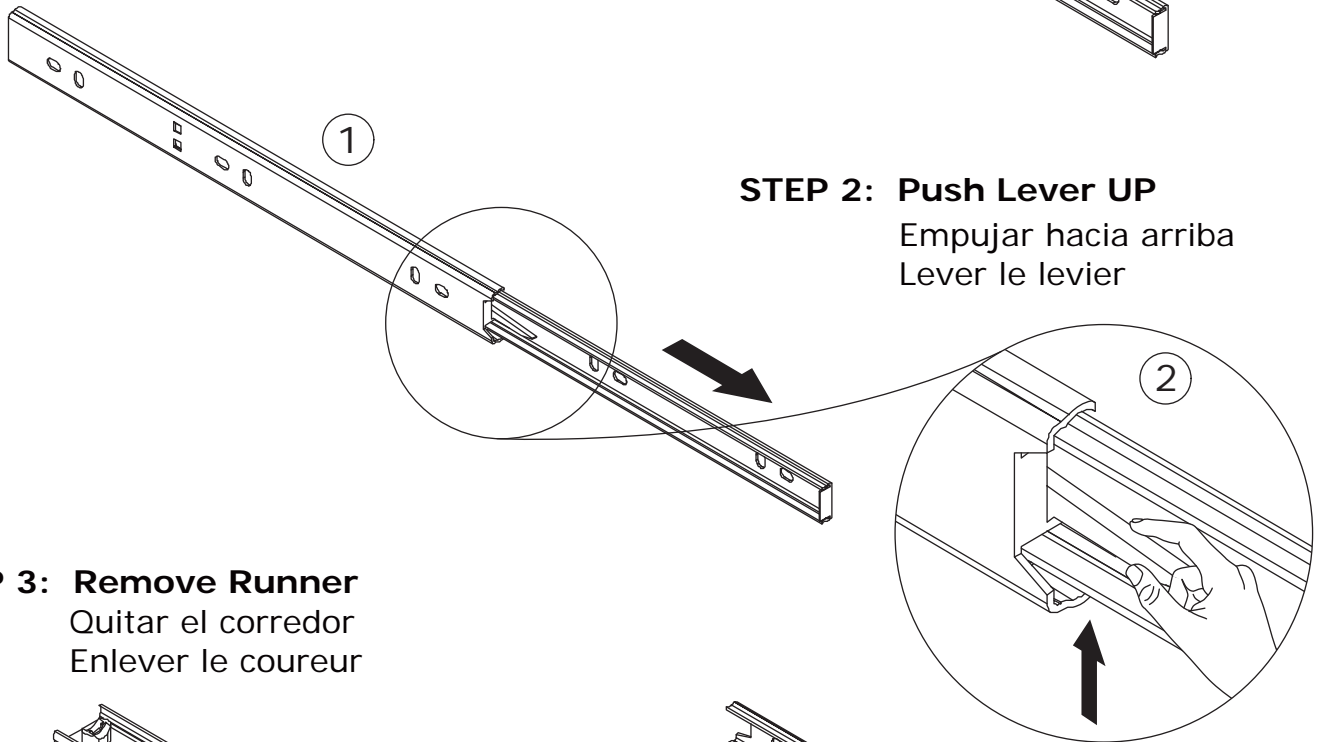
**Slides Must Be Separated Before Assembly.  
After Separated, Set Aside Until Needed for Assembly.**

Las diapositivas deben separarse antes del montaje.  
Después de la separación, déjelo a un lado hasta que sea necesario.

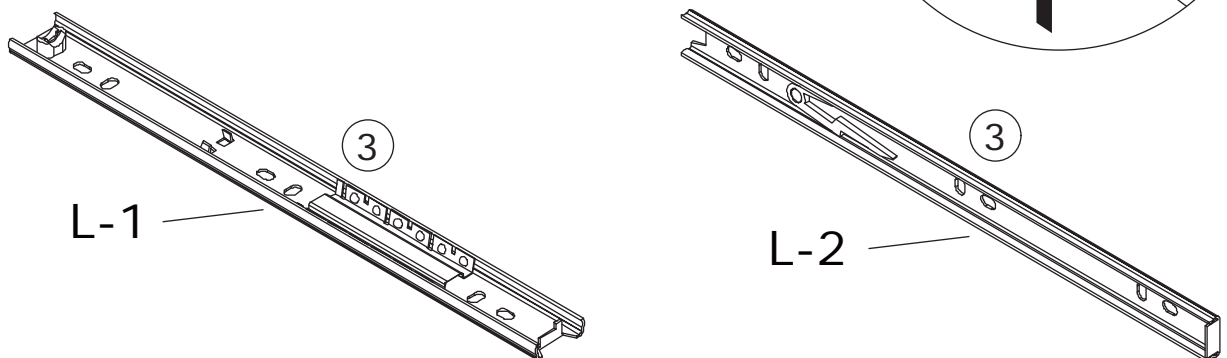
Les glissières doivent être séparées avant l'assemblage.  
Après la séparation, mettez de côté jusqu'au moment de l'assemblage.



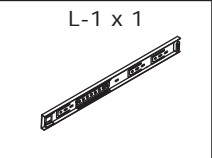
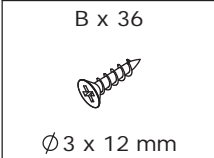
**STEP 1: Extend Slide**  
Extender la diapositiva  
Extendre la diapositive



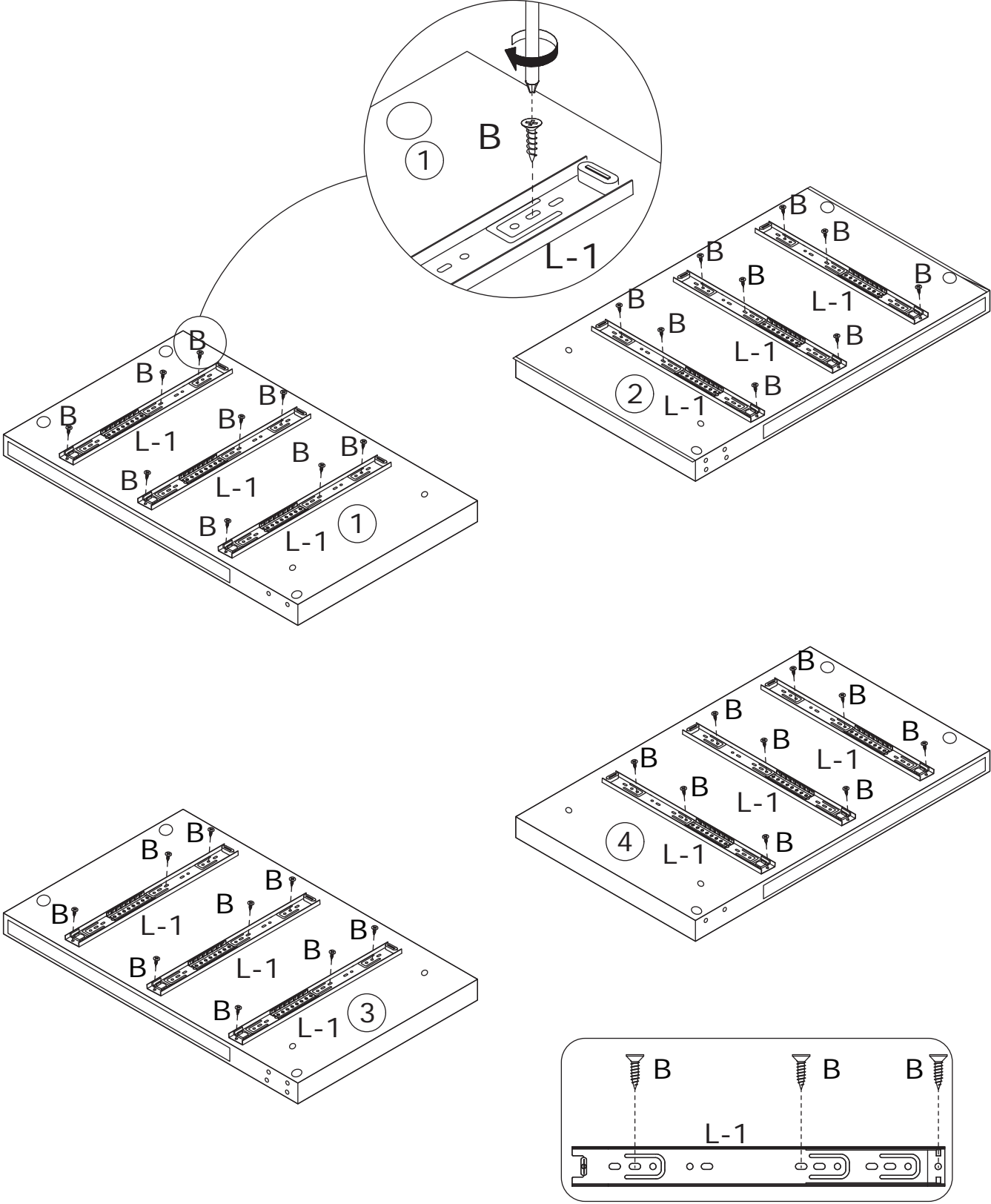
**STEP 3: Remove Runner**  
Quitar el corredor  
Enlever le coureur



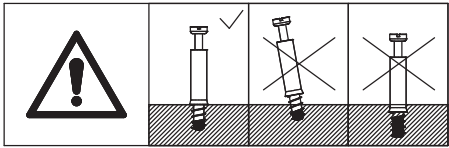
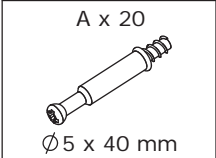
1



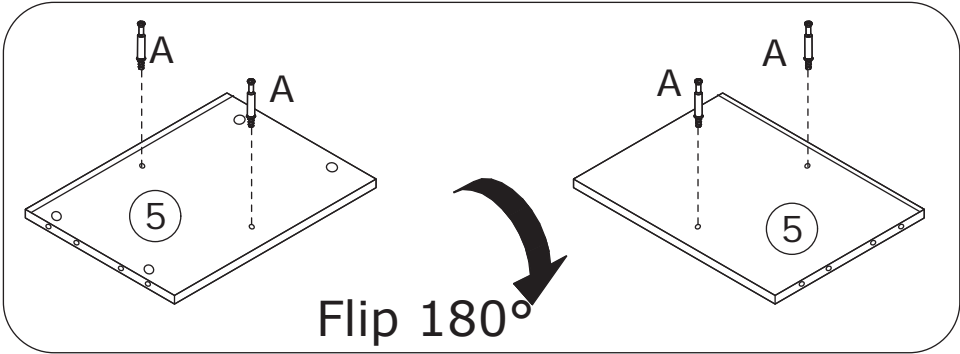
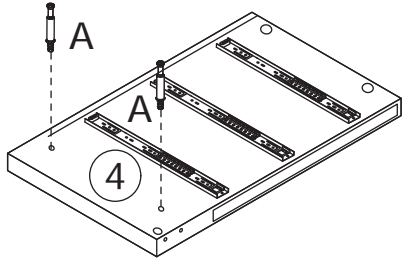
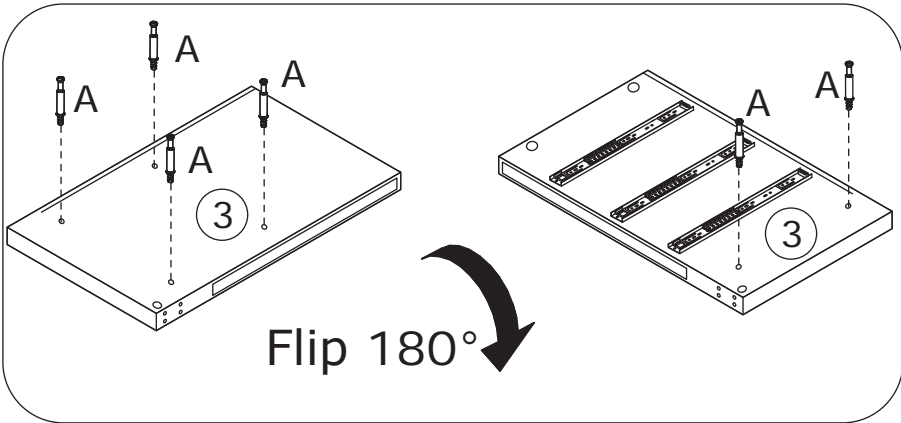
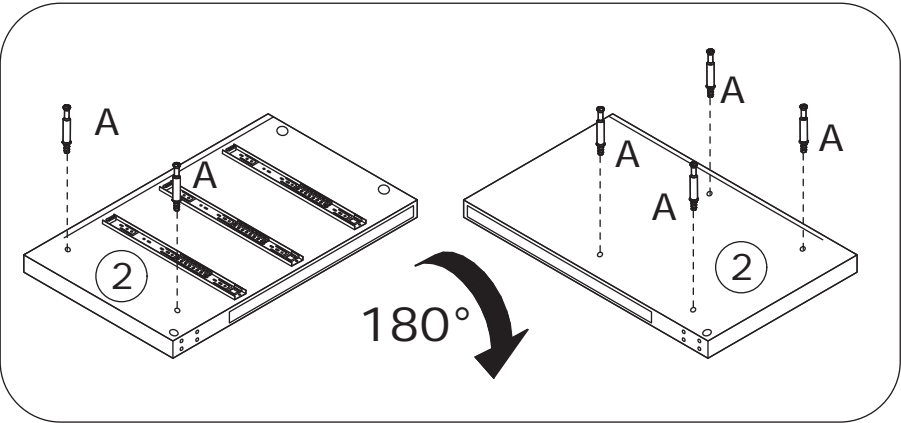
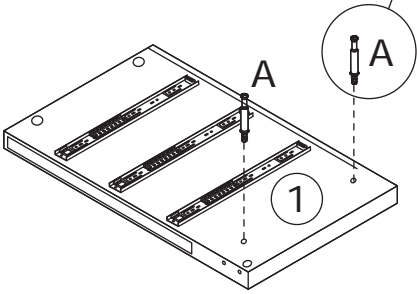
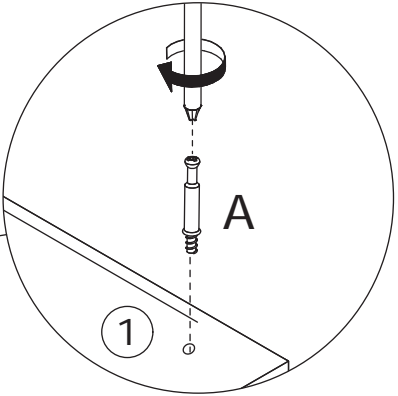
Attach the slides (L-1) to plates 1, 2, 3 and 4 with screws (B) as shown.



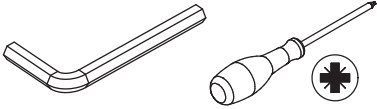
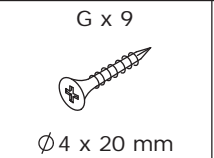
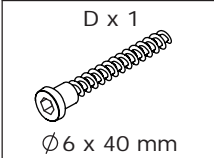
2



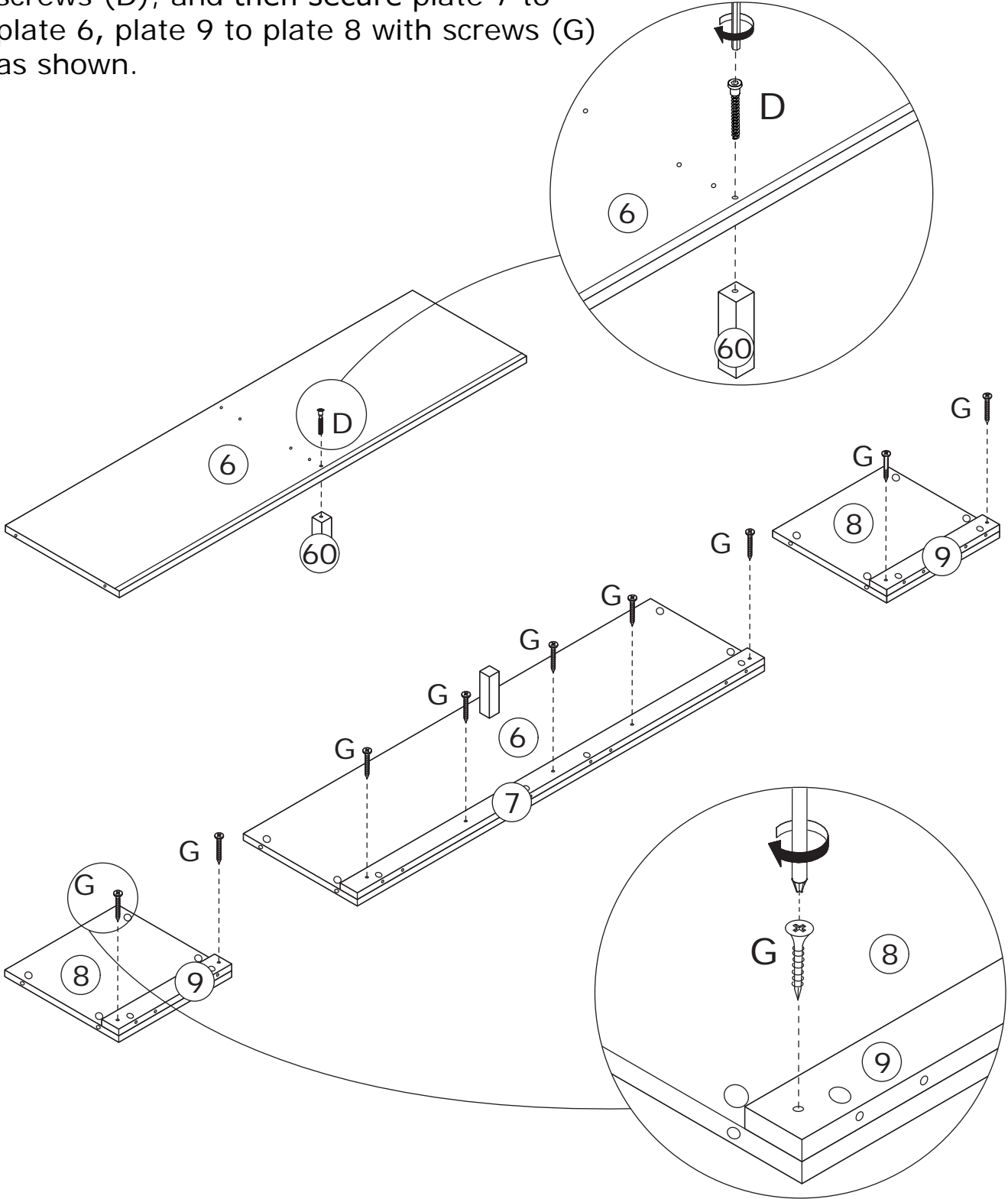
Install screws (A) onto plates 1, 2, 3, 4 and 5 as shown.



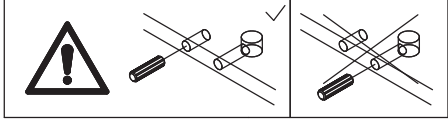
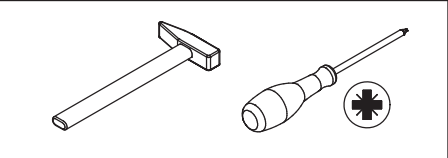
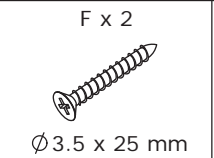
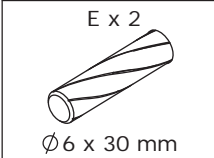
3



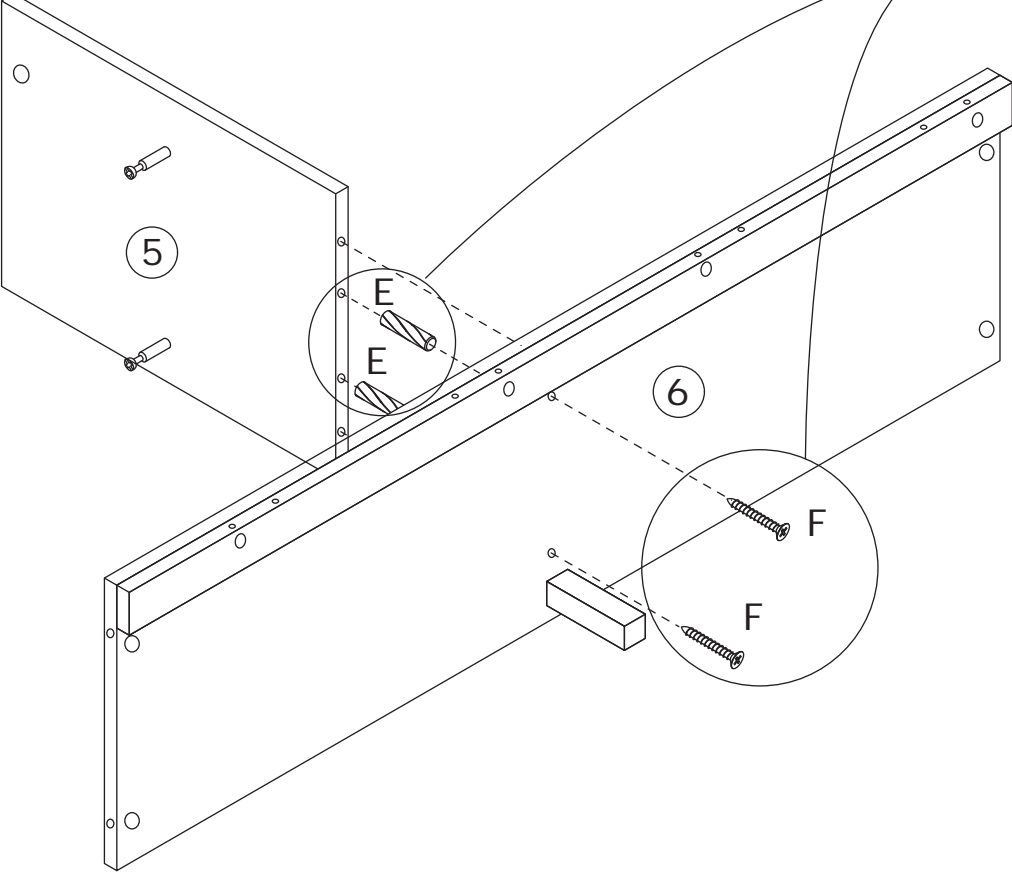
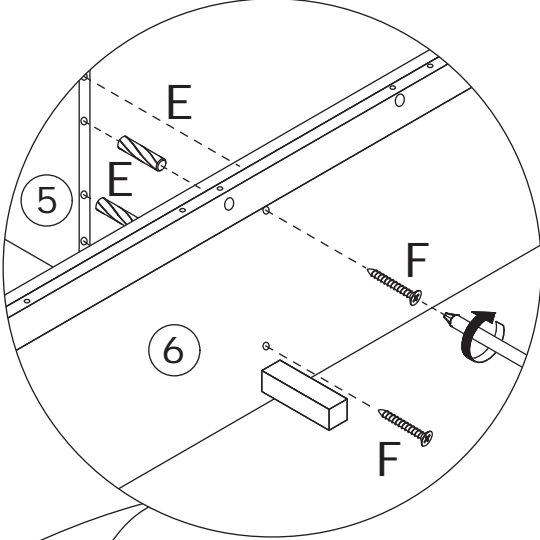
Secure leg support 60 to plate 6 with screws (D), and then secure plate 7 to plate 6, plate 9 to plate 8 with screws (G) as shown.



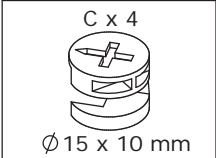
4



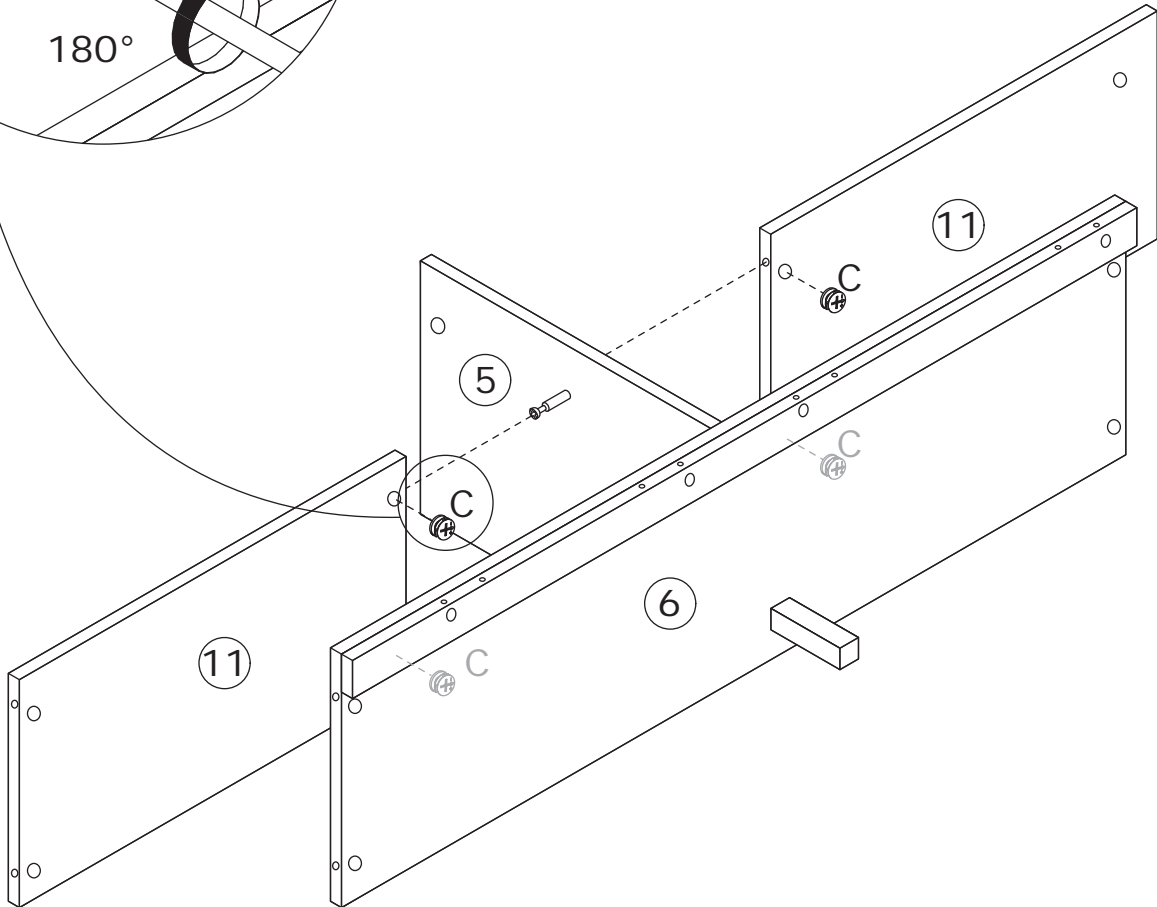
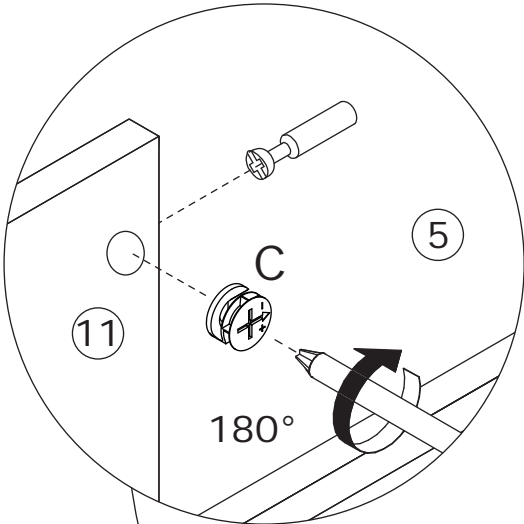
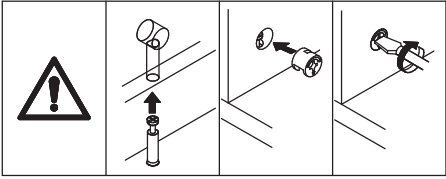
Connect plate 5 to plate 6 using dowel (E) and secure with screws (F) as shown.



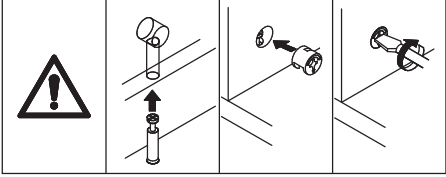
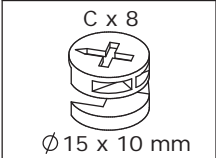
5



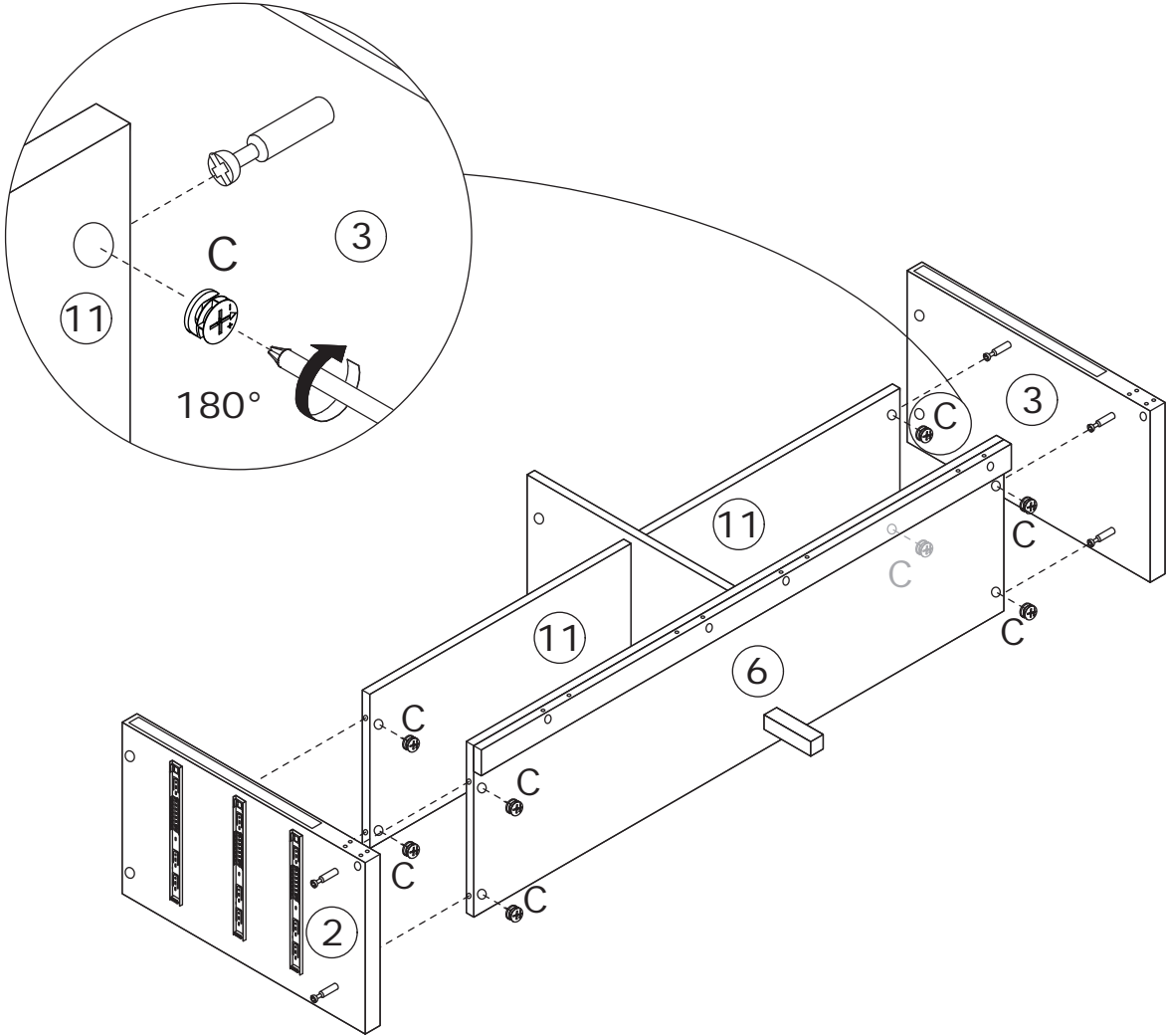
Attach plate 11 to plate 5, tighten by turning eccentric wheel (C) clockwise as shown.



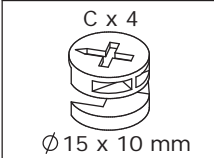
6



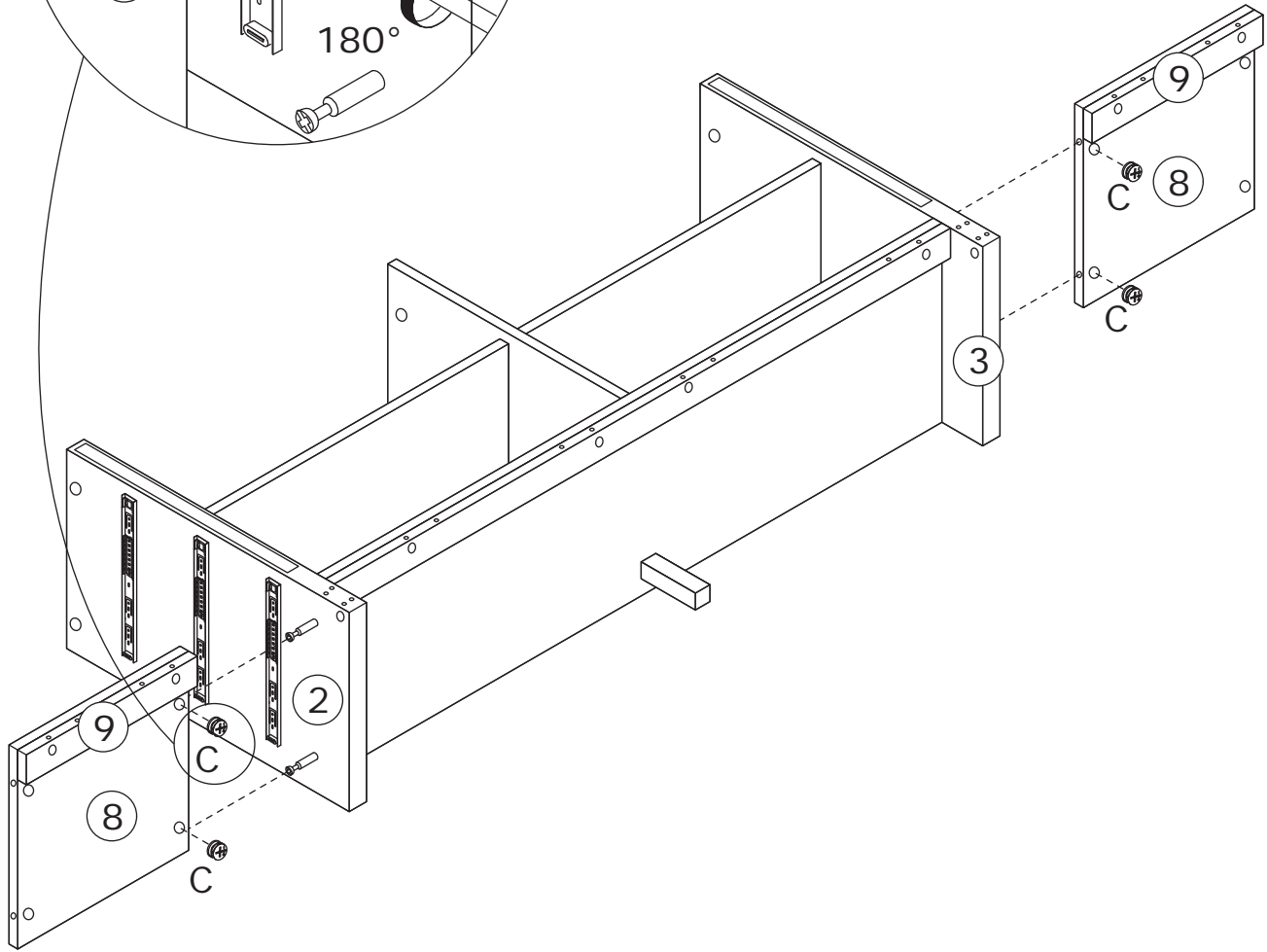
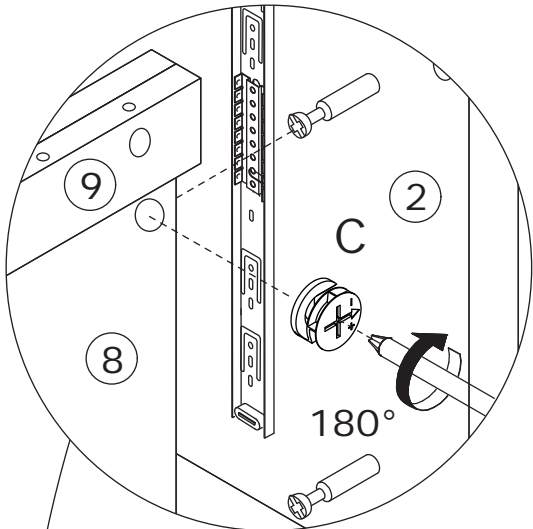
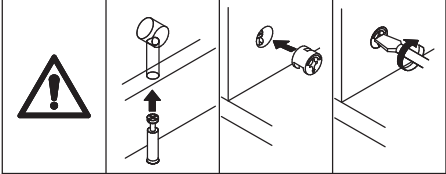
Attach plates 2 and 3 to plates 11 and 6, tighten by turning eccentric wheel (C) clockwise as shown.



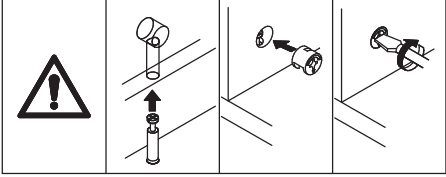
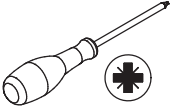
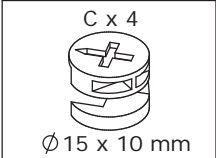
7



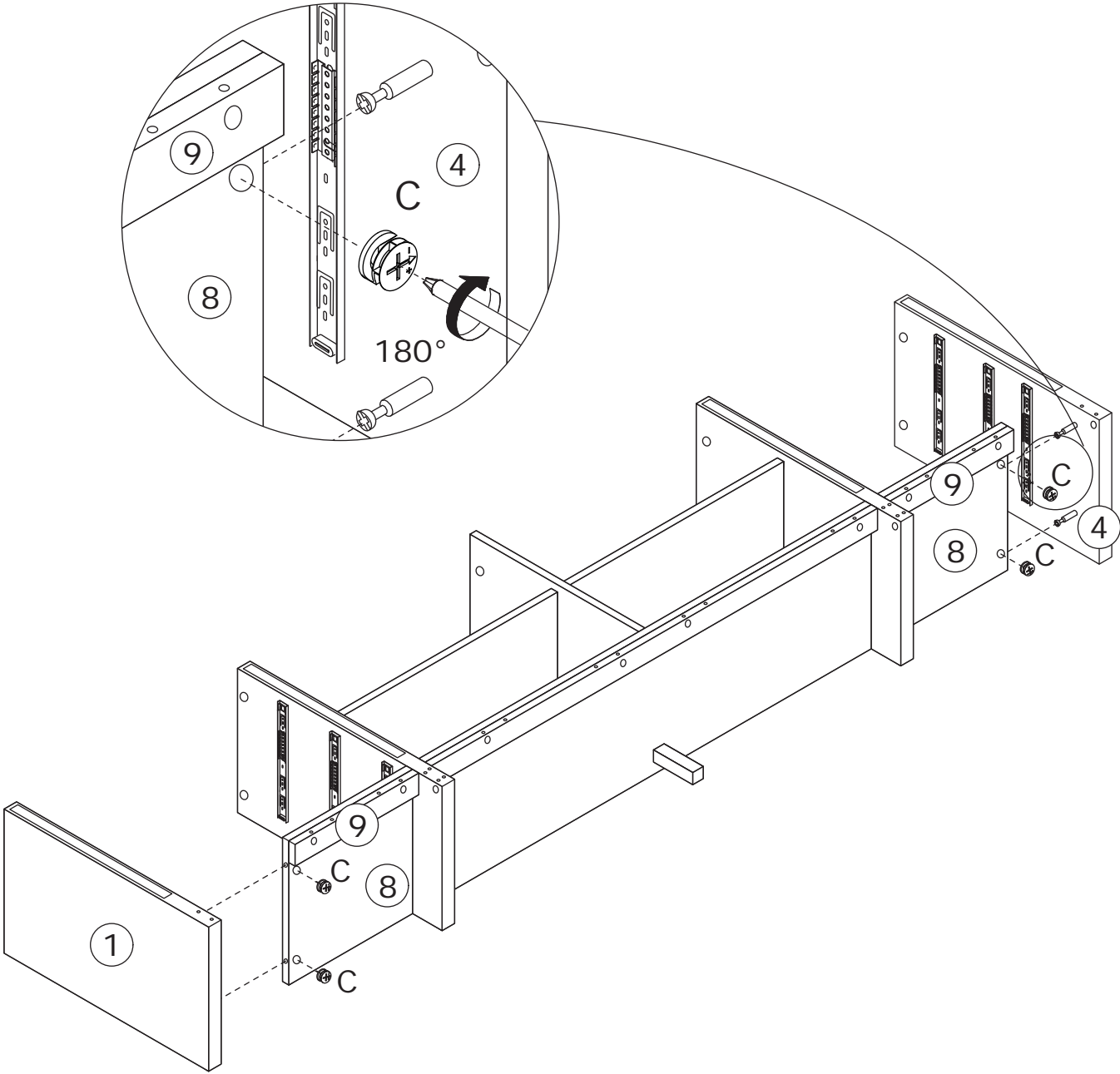
Attach plates 8 and 9 to plates 2 and 3 respectively, tighten by turning eccentric wheel (C) clockwise as shown.



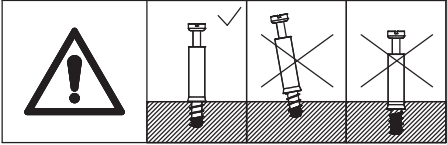
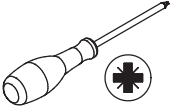
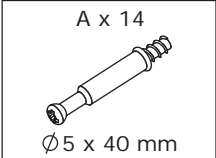
8



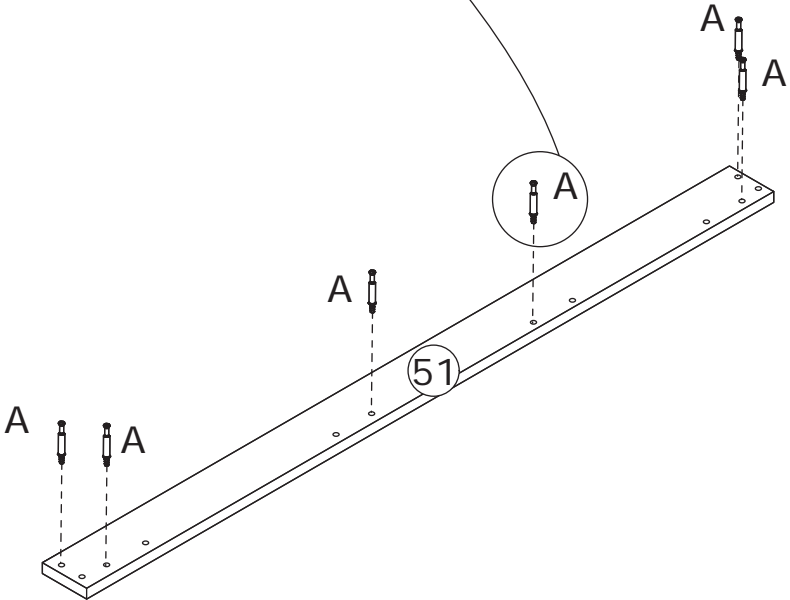
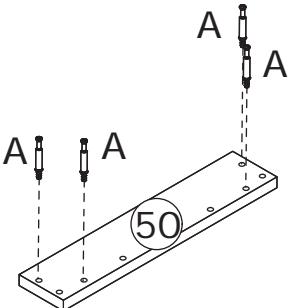
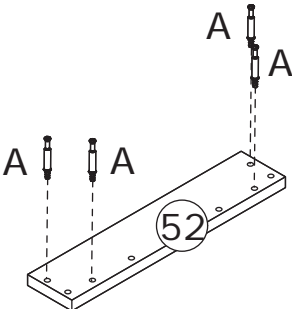
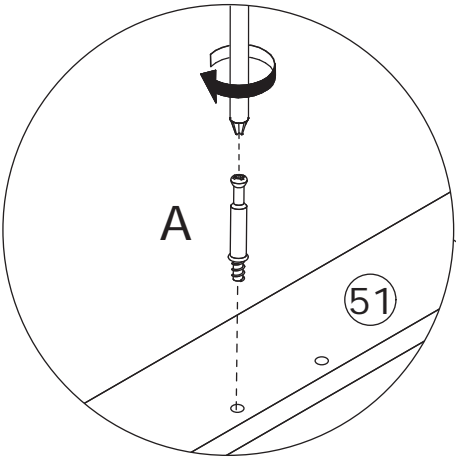
Attach plates 1 and 4 to plates 8 and 9,  
tighten by turning eccentric wheel (C)  
clockwise as shown.



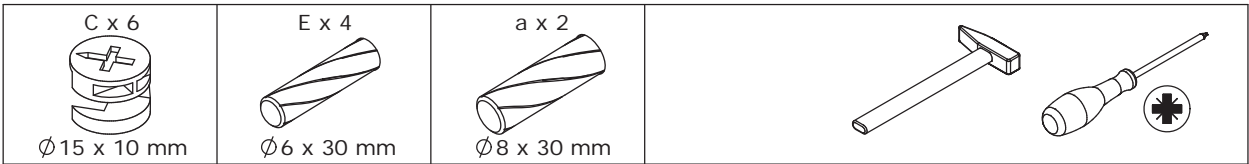
9



Install screws (A) onto plates 50, 51 and 52 as shown.

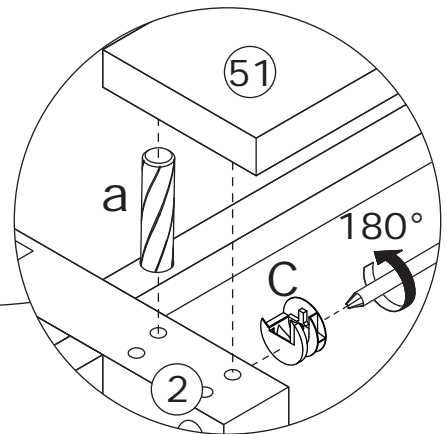
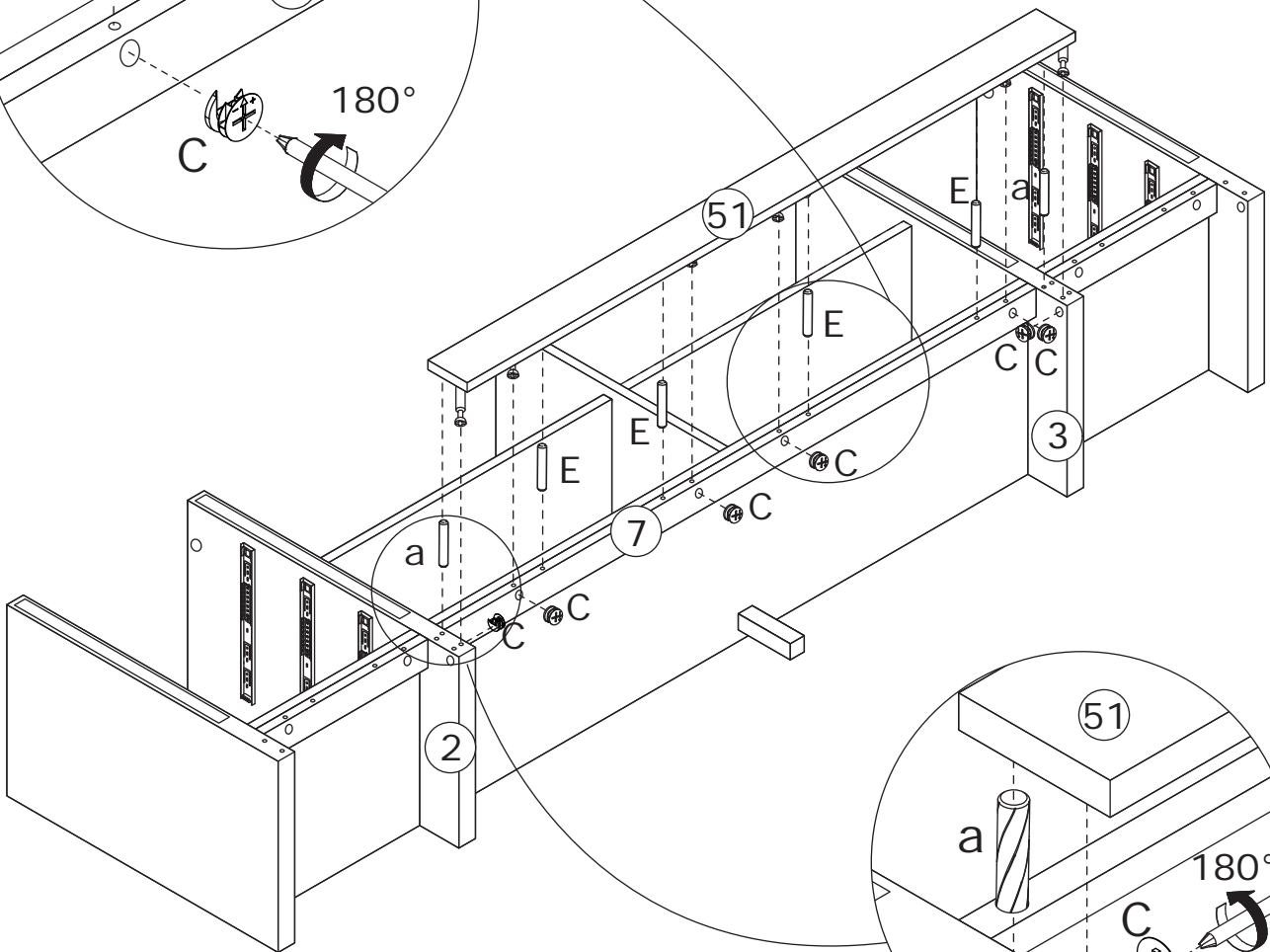
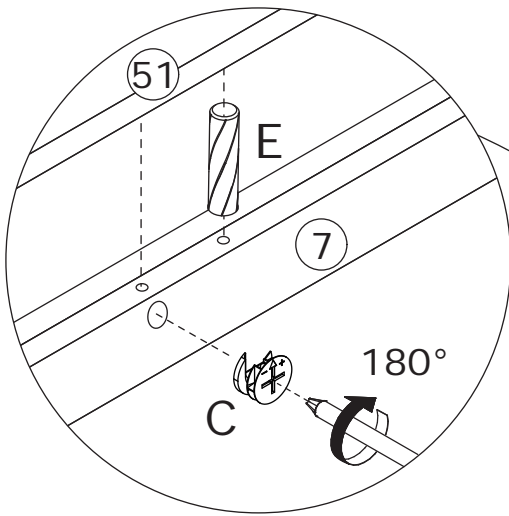
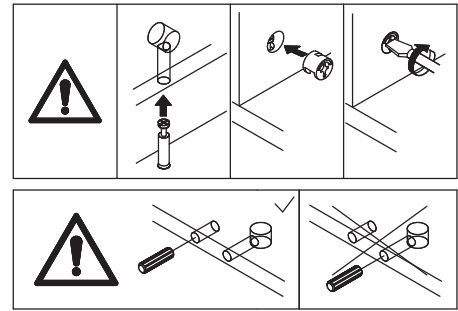


10

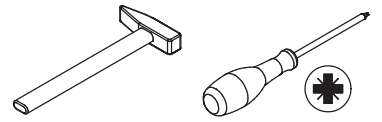
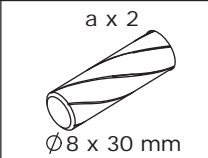
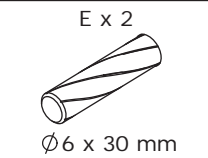
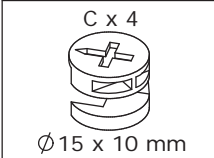


Insert dowel (a) onto plates 2 and 3, dowel (E) onto plates 7 first.

Attach plate 51 to plates 2, 7 and 3, tighten by turning eccentric wheel (C) clockwise as shown.

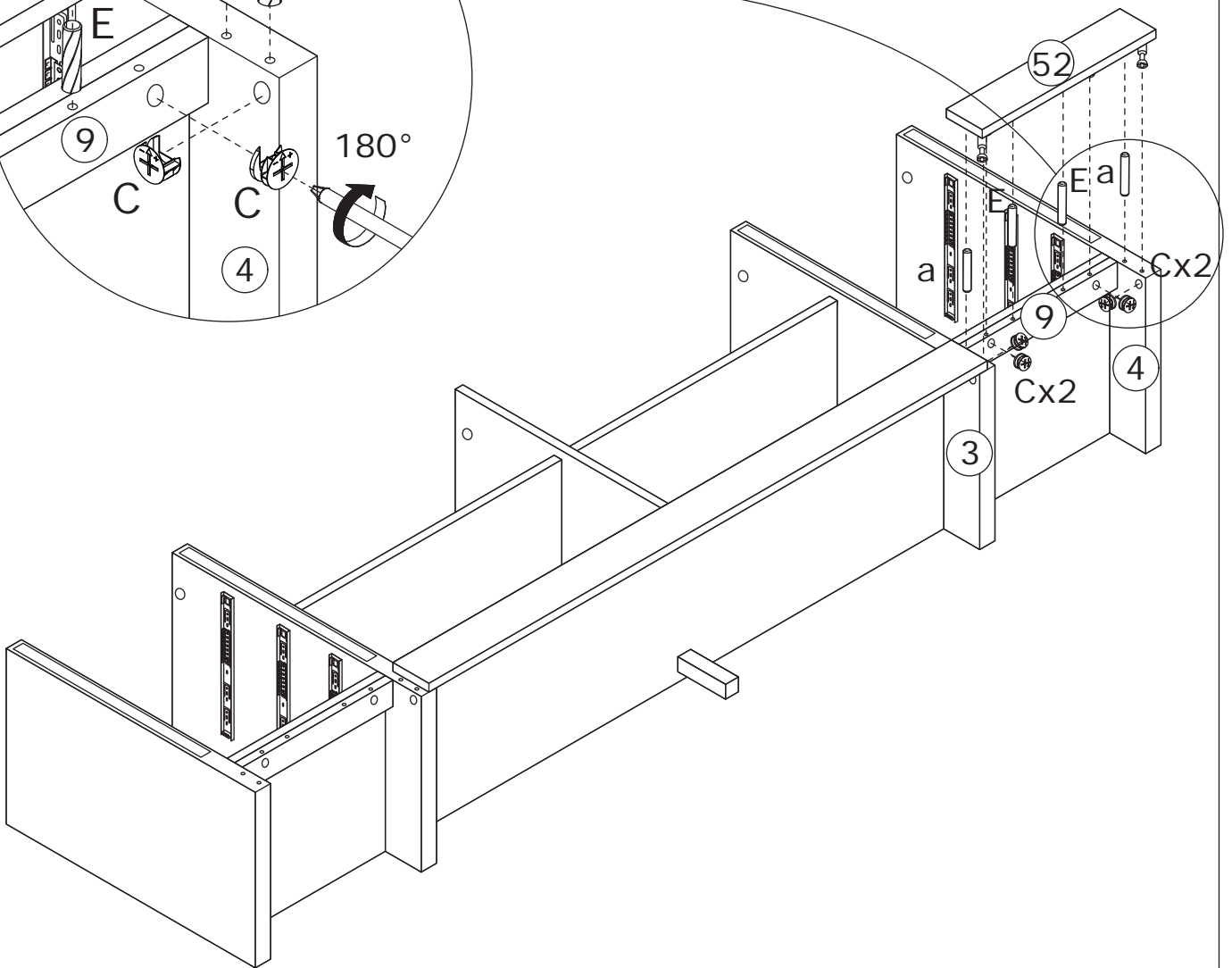
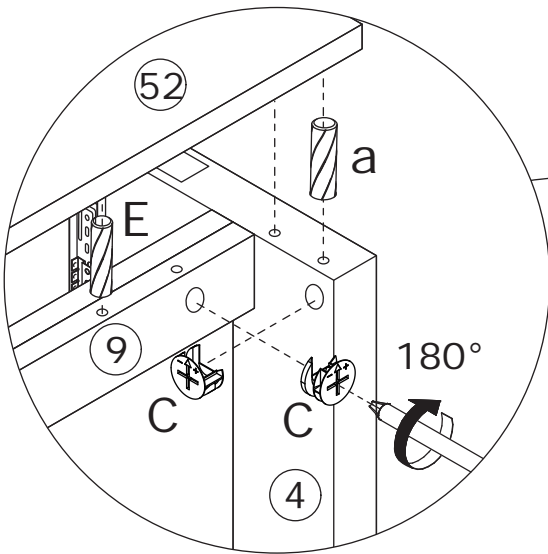
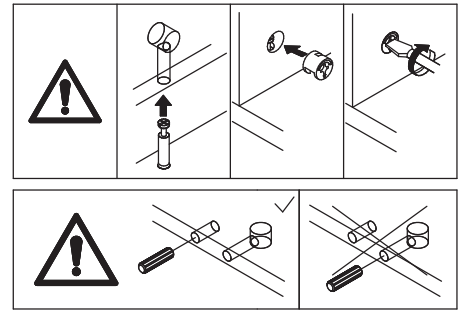


11

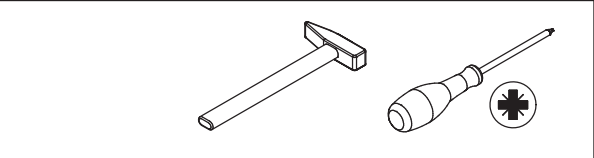
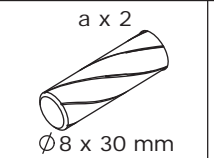
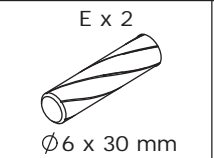
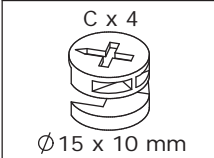


Insert dowel (a) onto plates 3 and 4, dowel (E) onto plates 9 first.

Attach plate 52 and plates 3, 4 and 9, tighten by turning eccentric wheel (C) clockwise as shown.

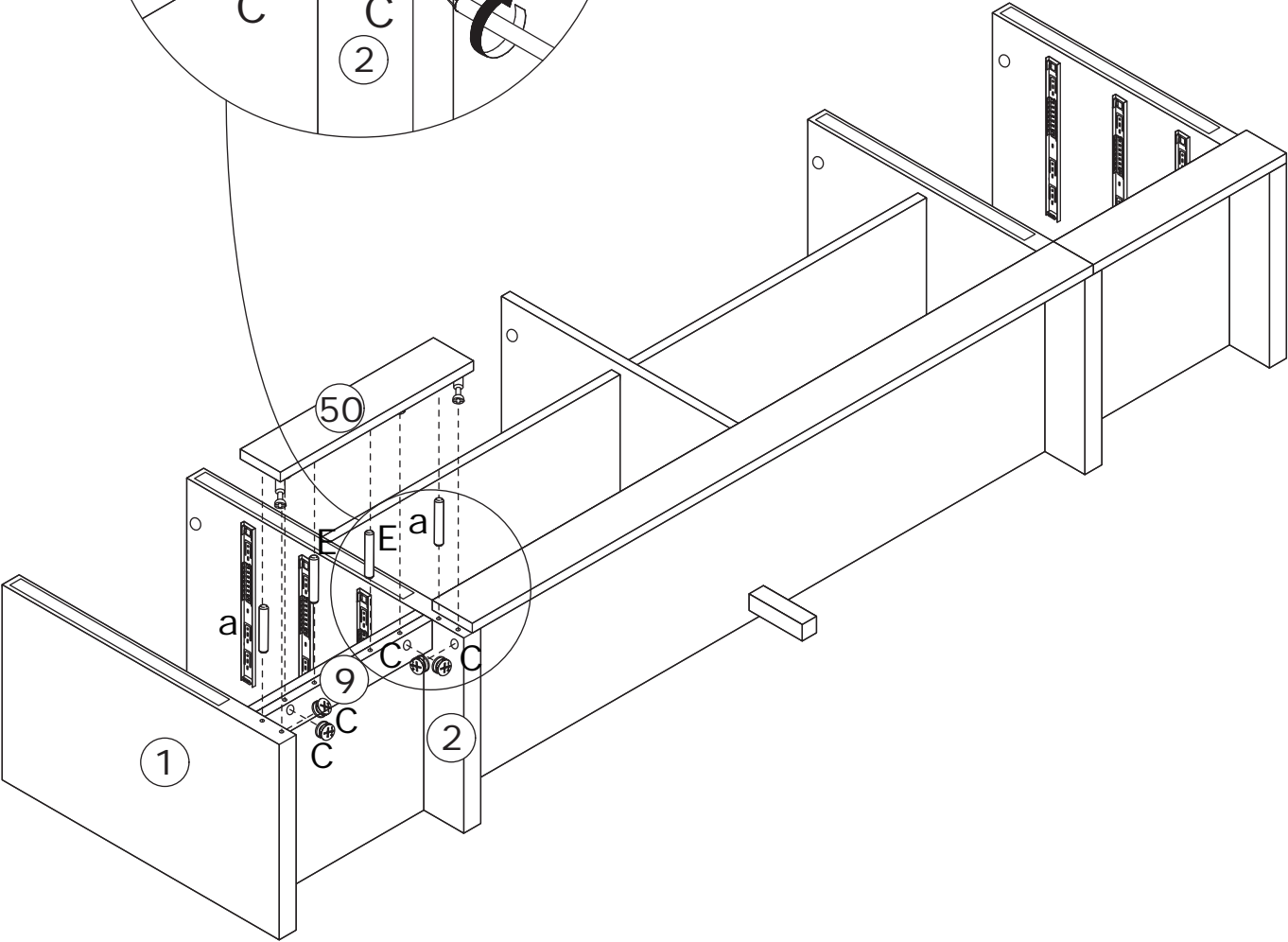
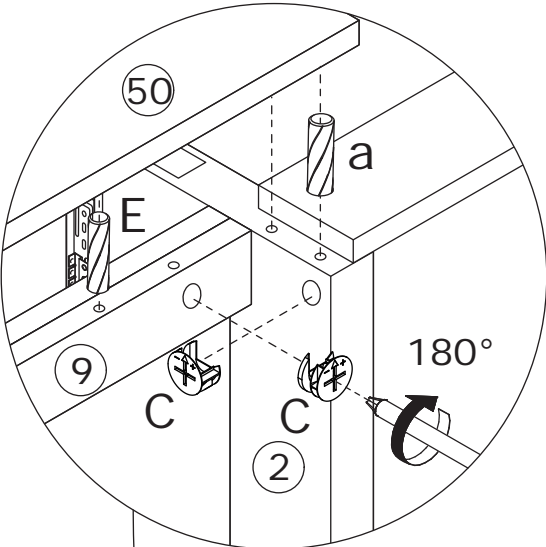
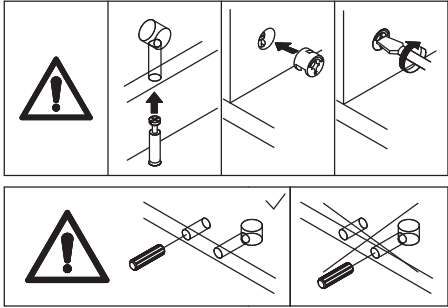


12

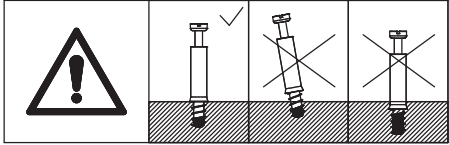
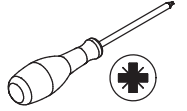
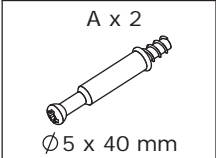


Insert dowel (a) onto plates 1 and 2, dowel (E) onto plates 9 first.

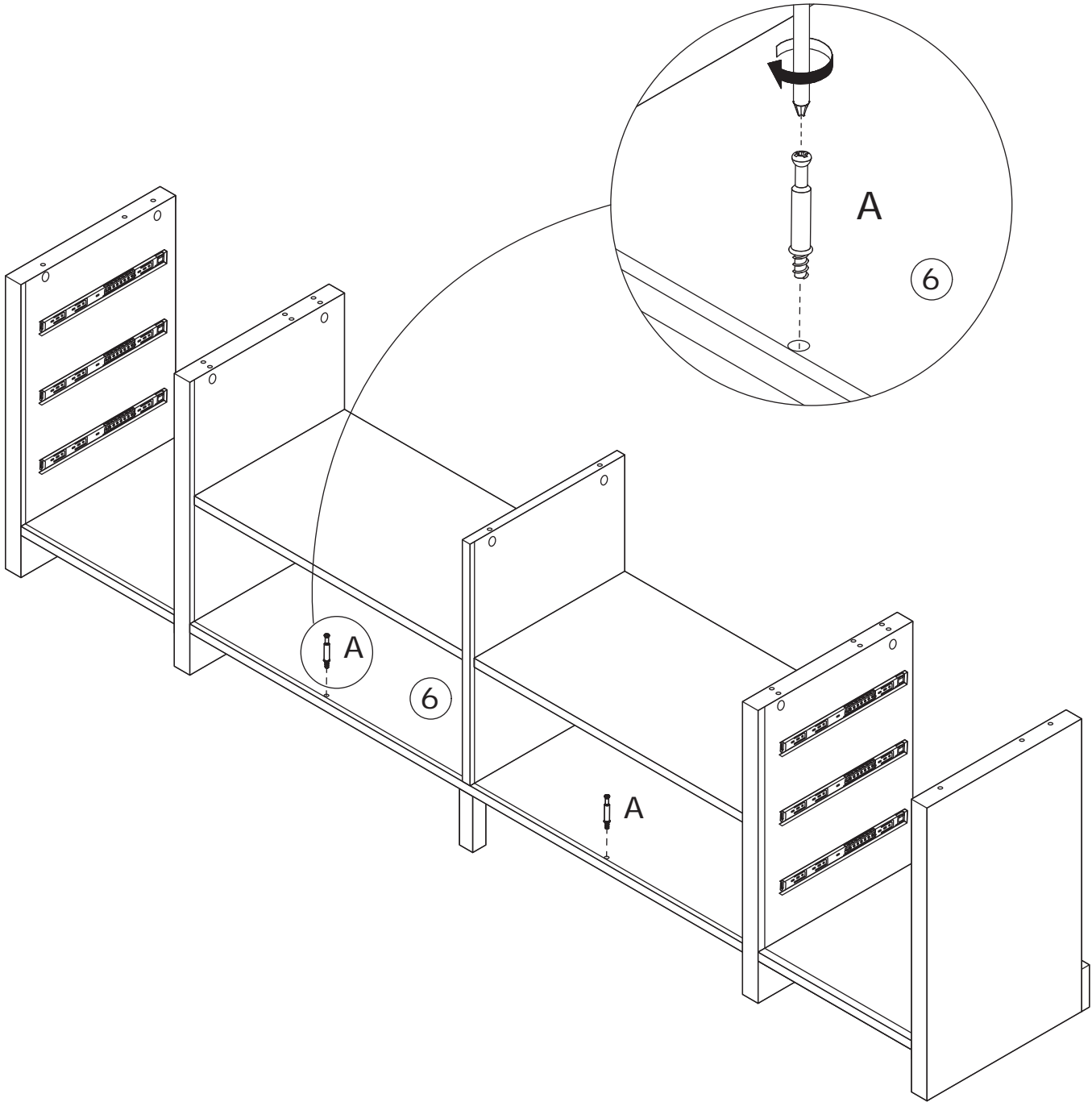
Attach plate 50 and plates 1, 2 and 9, tighten by turning eccentric wheel (C) clockwise as shown.



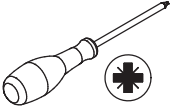
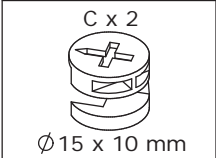
13



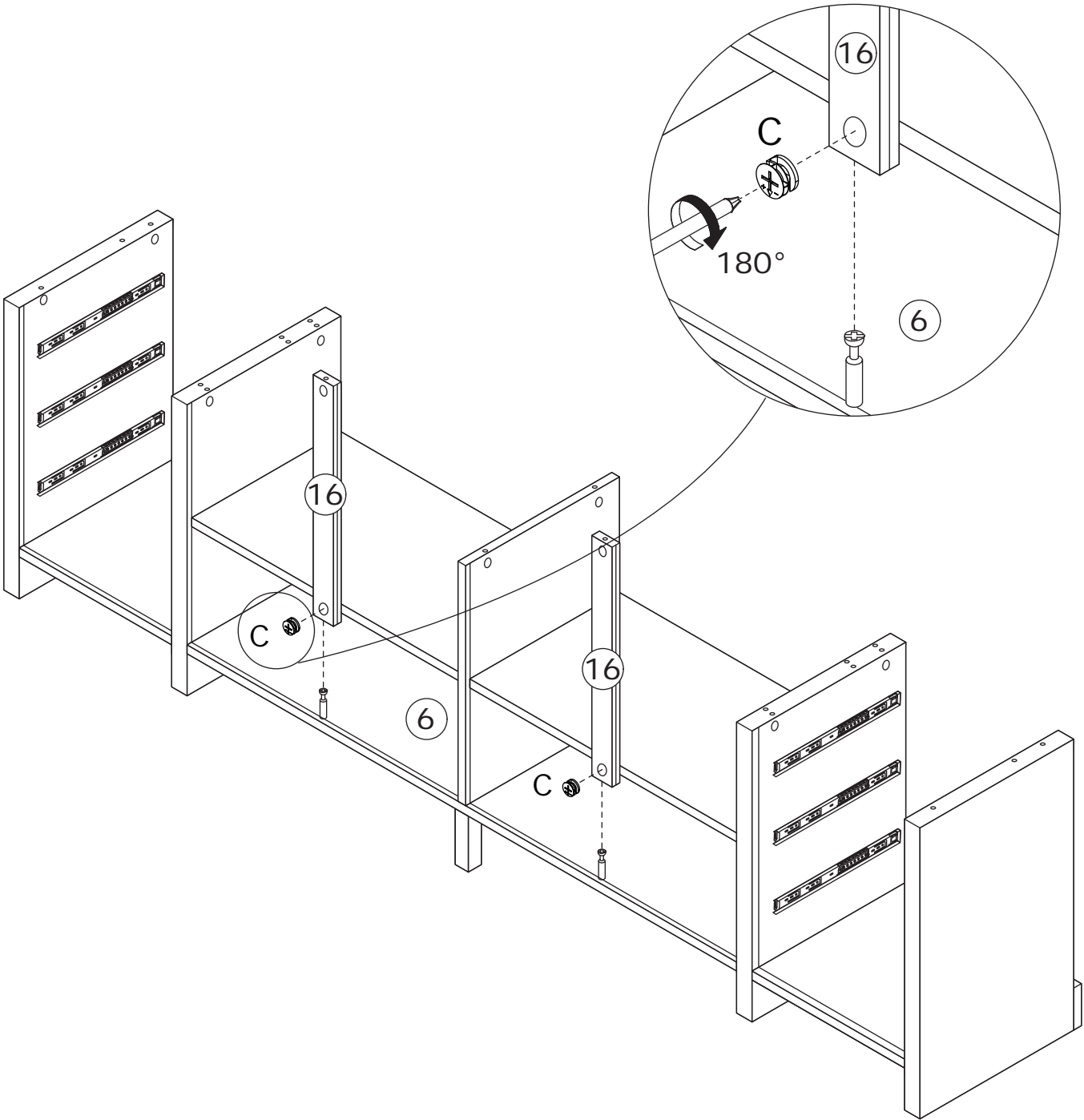
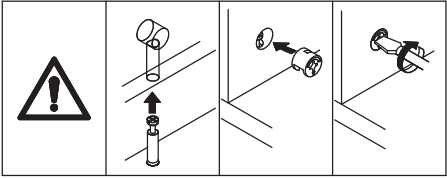
Install screw (A) onto plate 6 as shown.



14

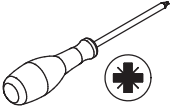


Connect plate 16 to plate 6, tighten by turning eccentric wheel (C) clockwise as shown.

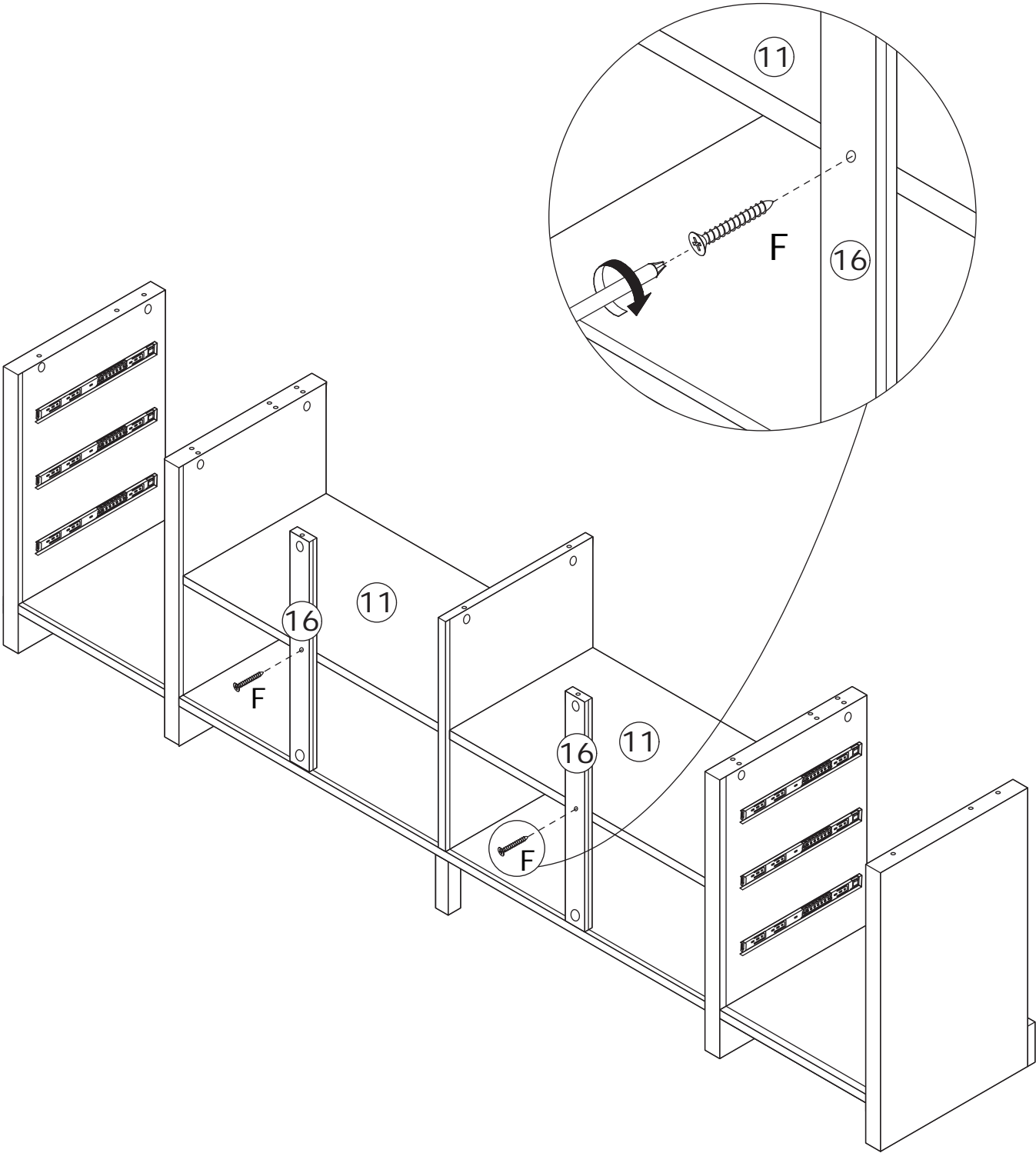


15

F x 2  
Ø3.5 x 25 mm

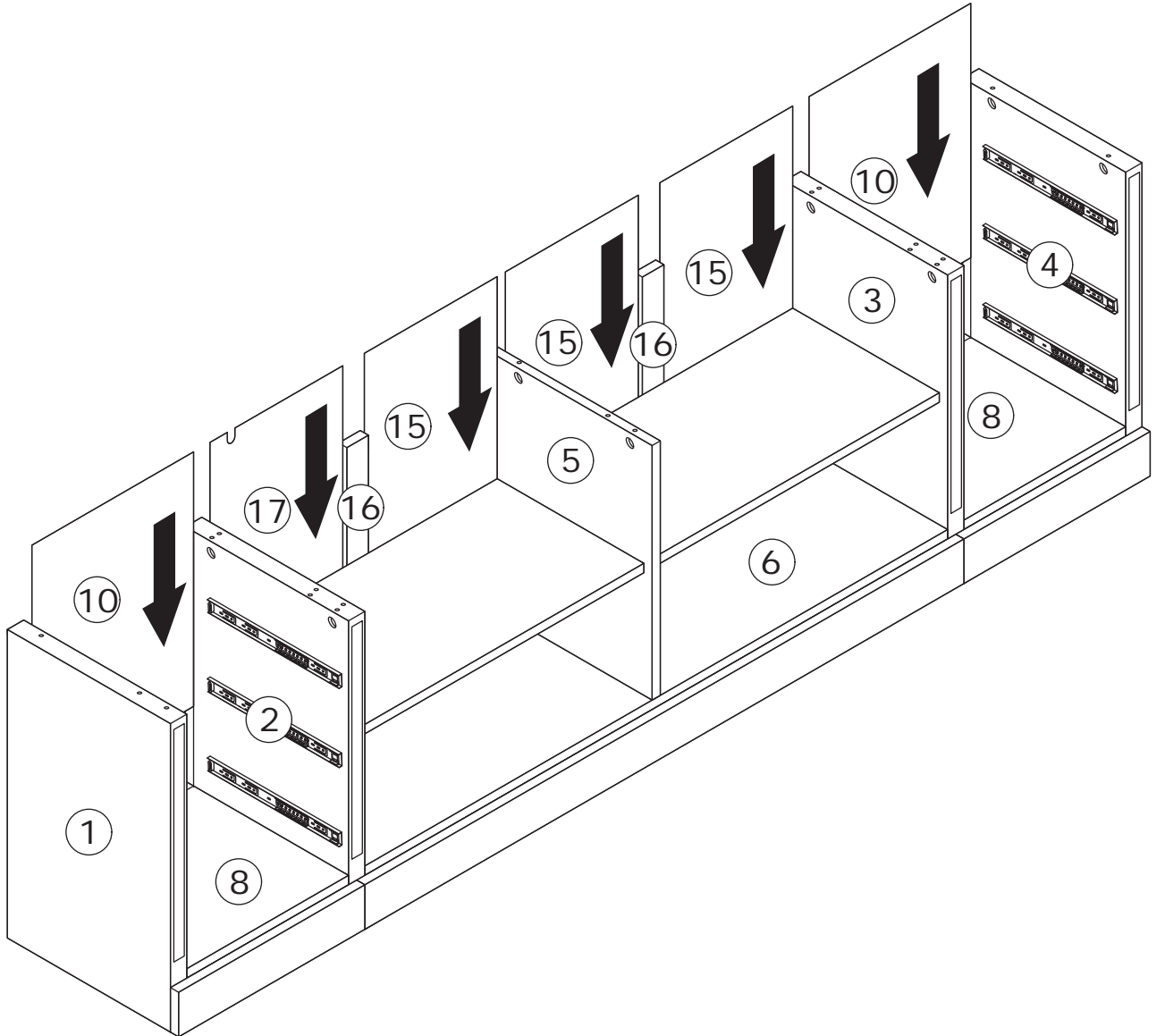


Secure plate 16 to plate 11 with screws (F) as shown.

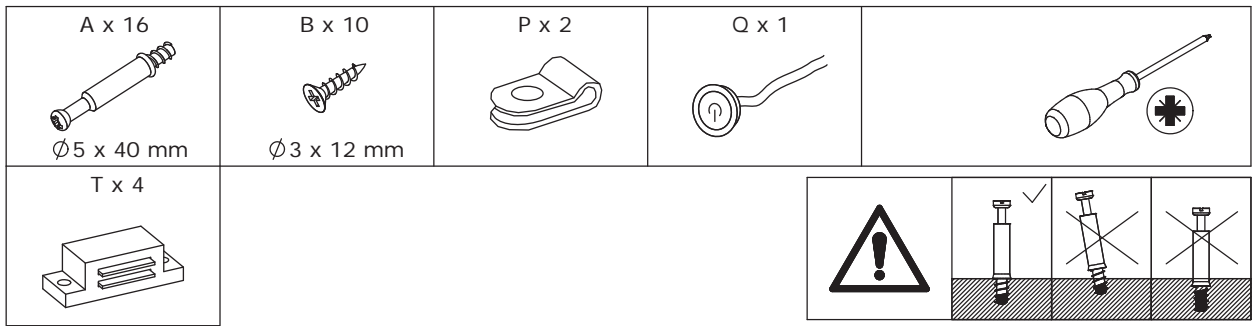


16

Slide back plates 10, 15 and 17 along the available grooves as shown.



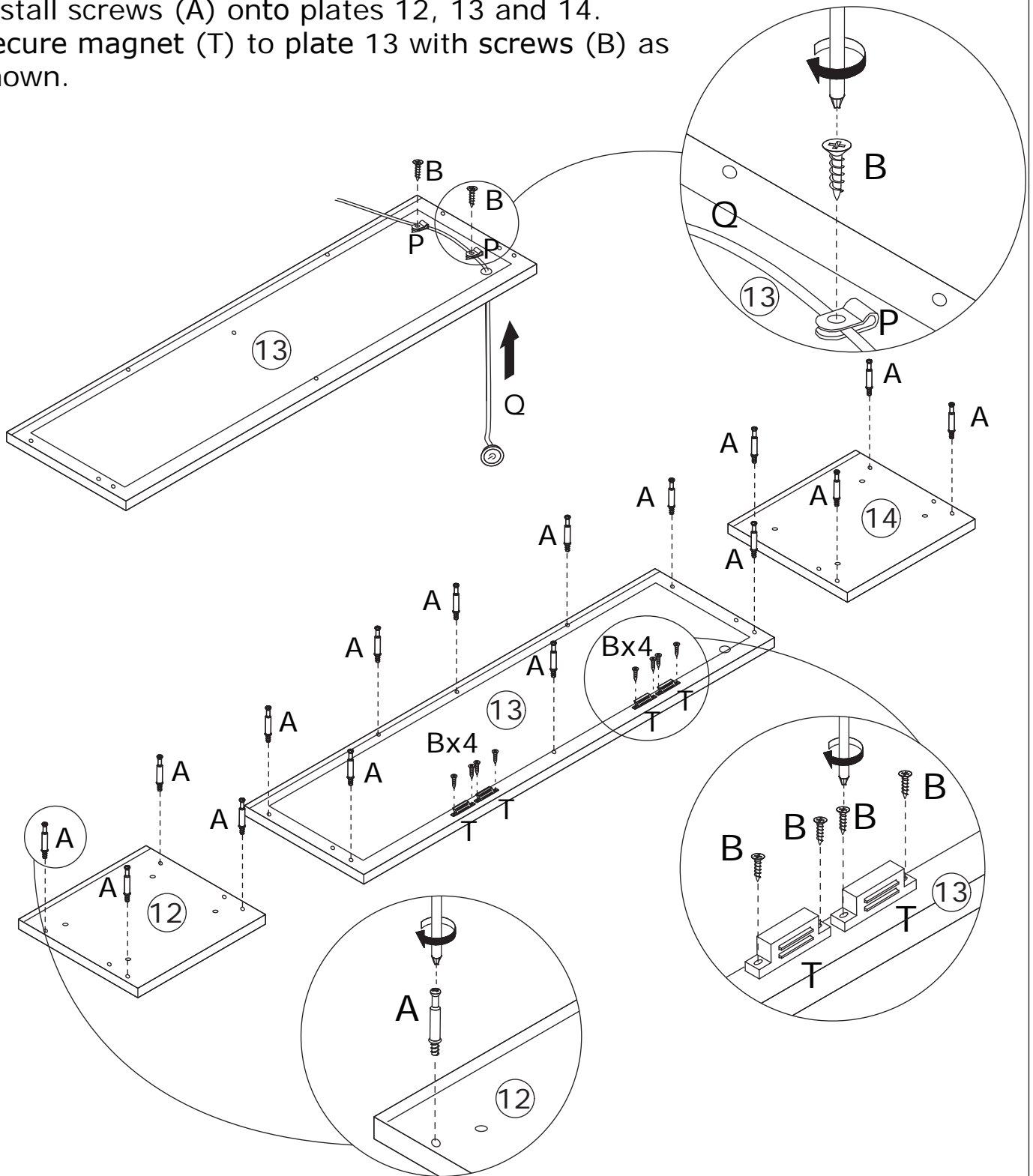
17



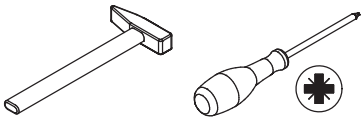
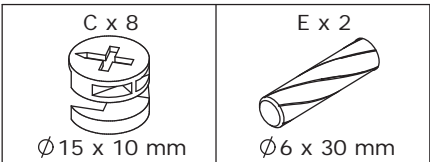
Secure cable (Q) to plate 13 using buckle (P) and screws (B) first.

Install screws (A) onto plates 12, 13 and 14.

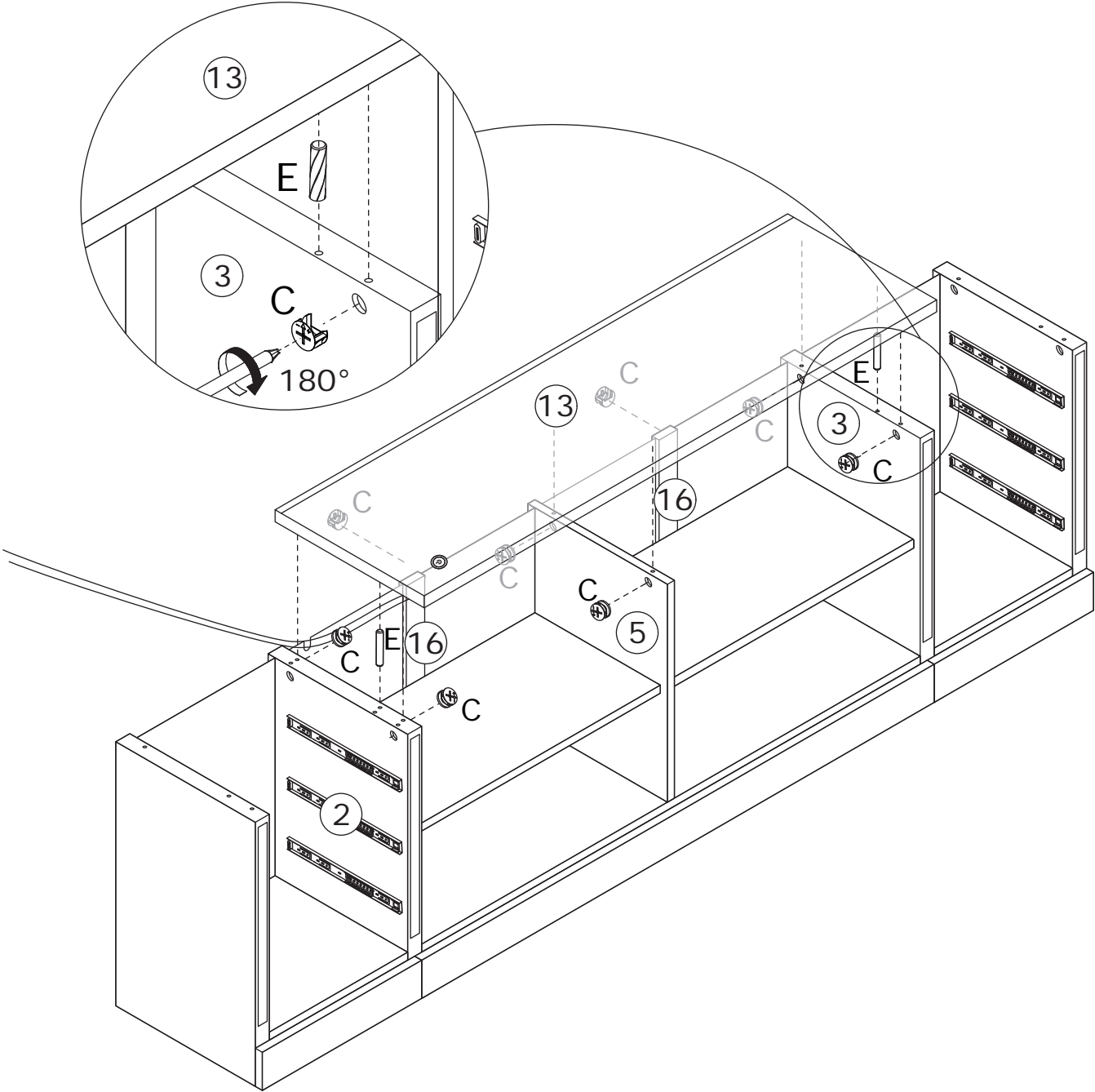
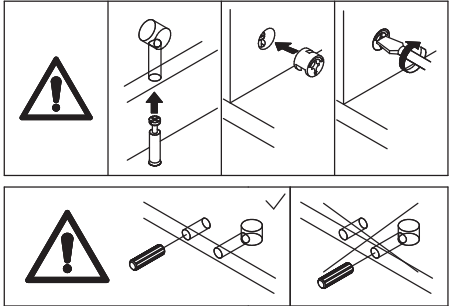
Secure magnet (T) to plate 13 with screws (B) as shown.



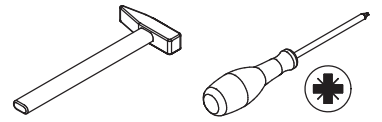
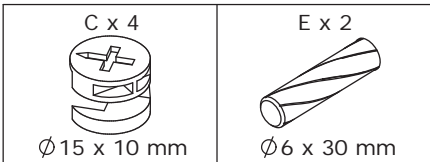
18



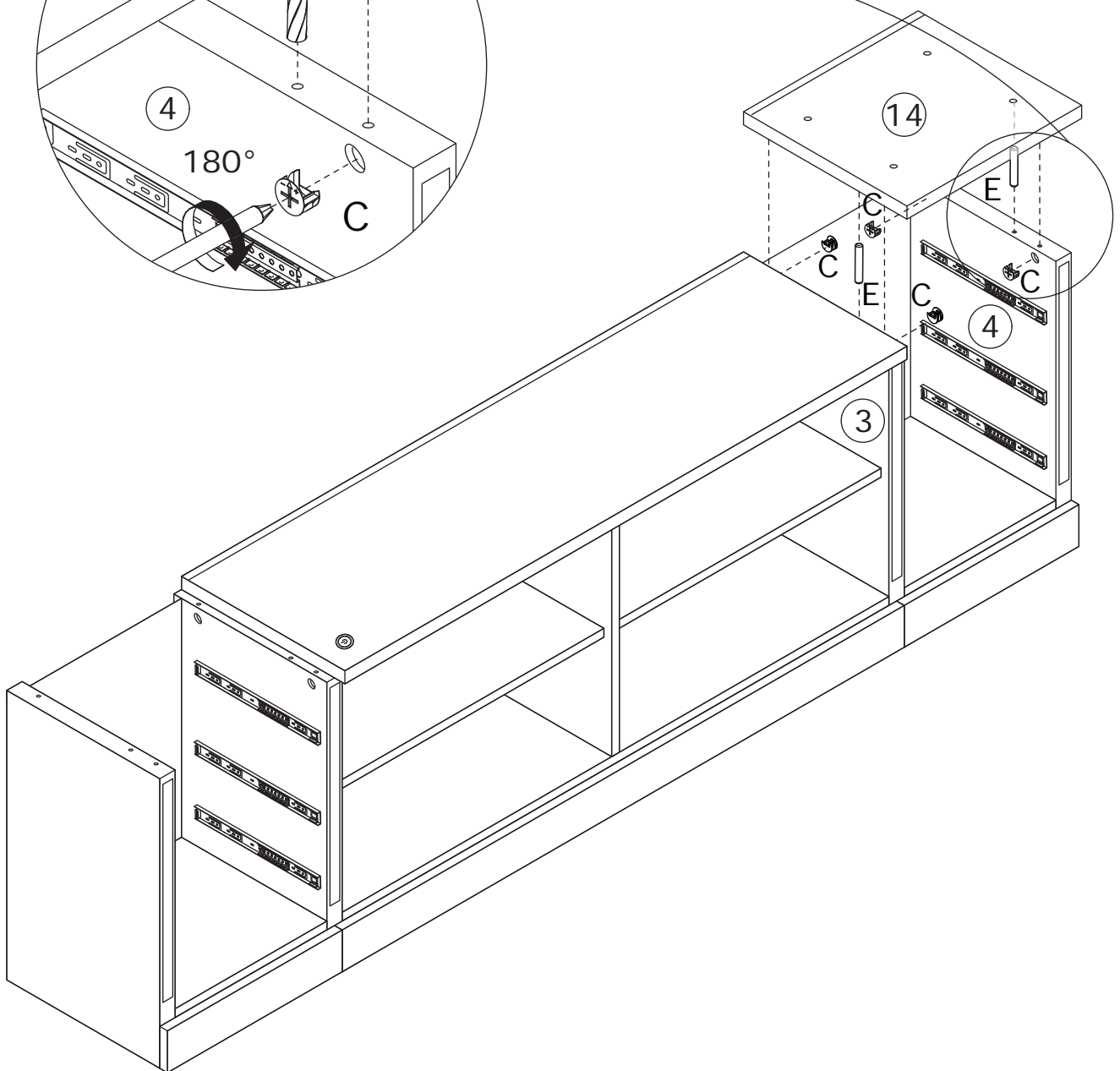
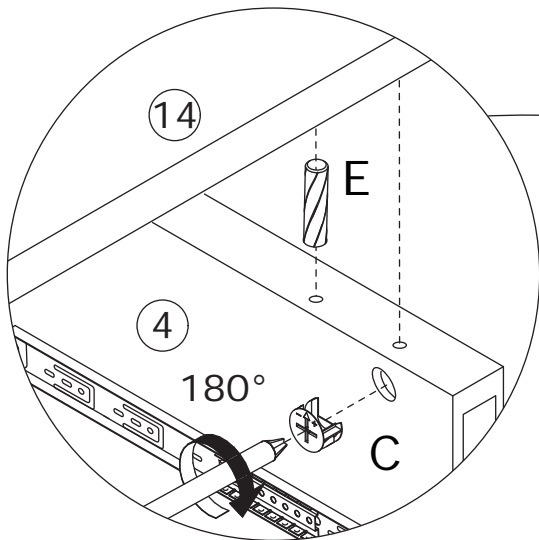
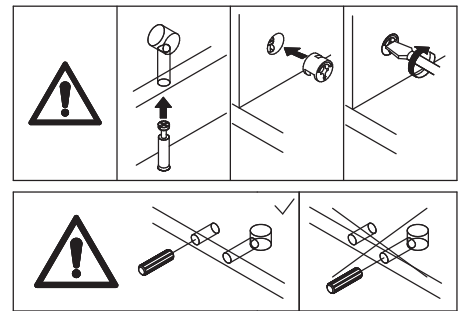
Attach plate 13 to plates 2, 16, 5, and 3 with dowel (E), tighten by turning eccentric wheel (C) clockwise as shown.



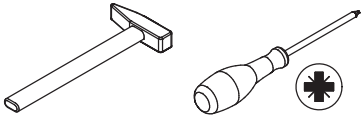
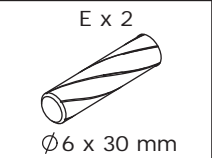
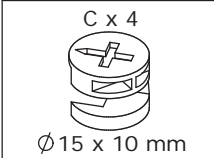
19



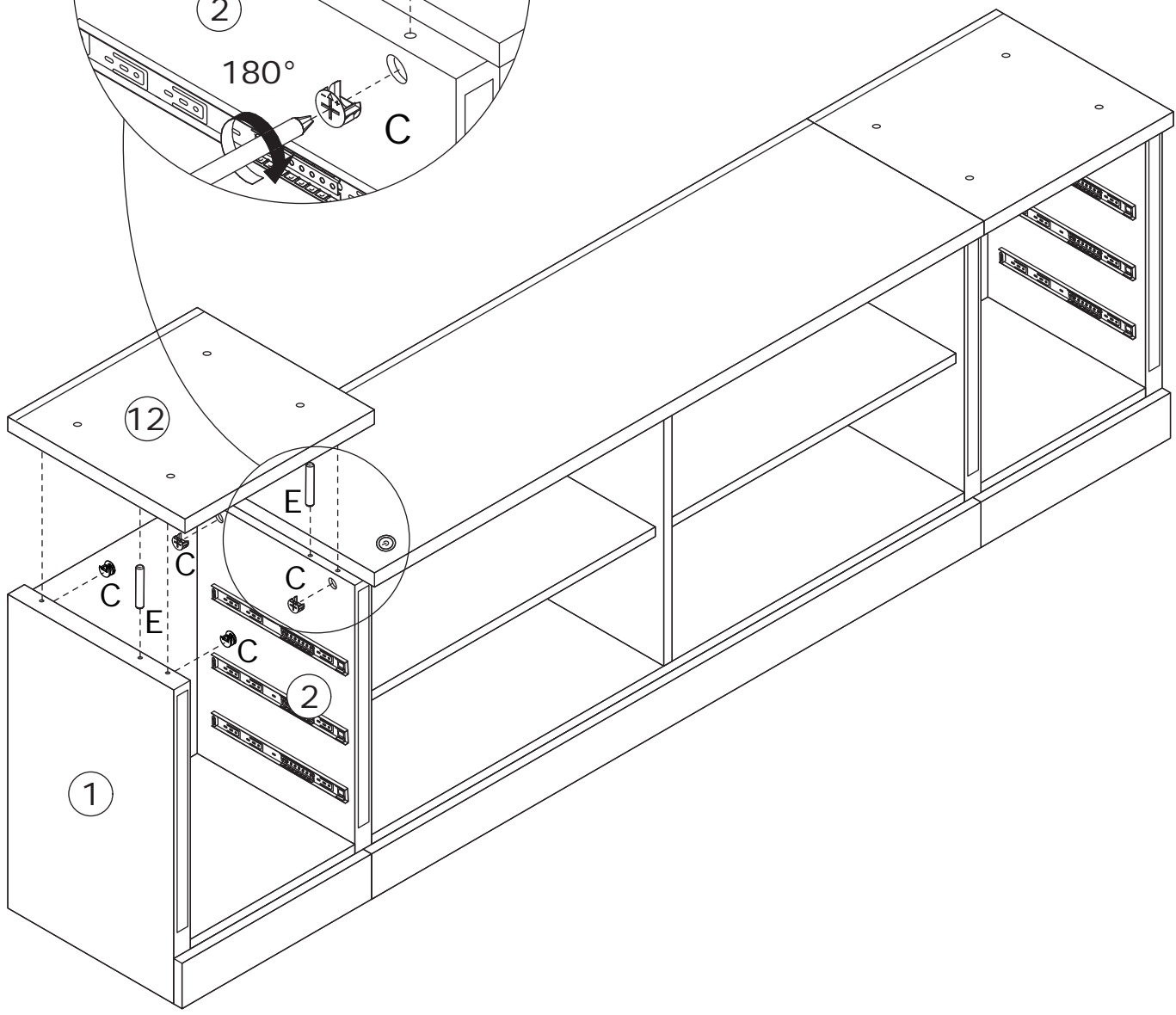
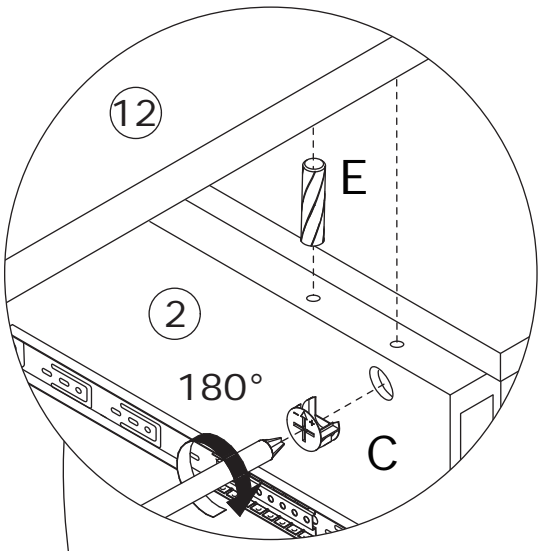
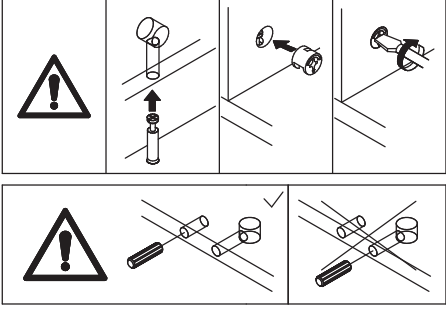
Attach plate 14 to plates 3 and 4 with dowel (E), tighten by turning eccentric wheel (C) clockwise as shown.



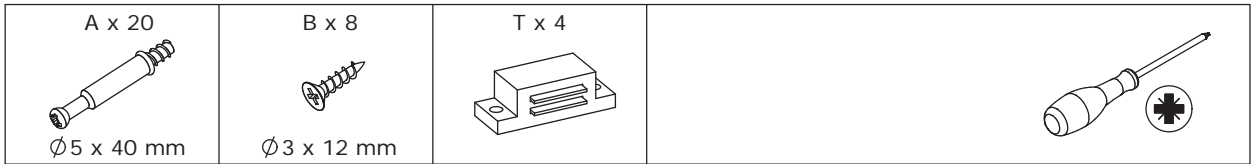
20



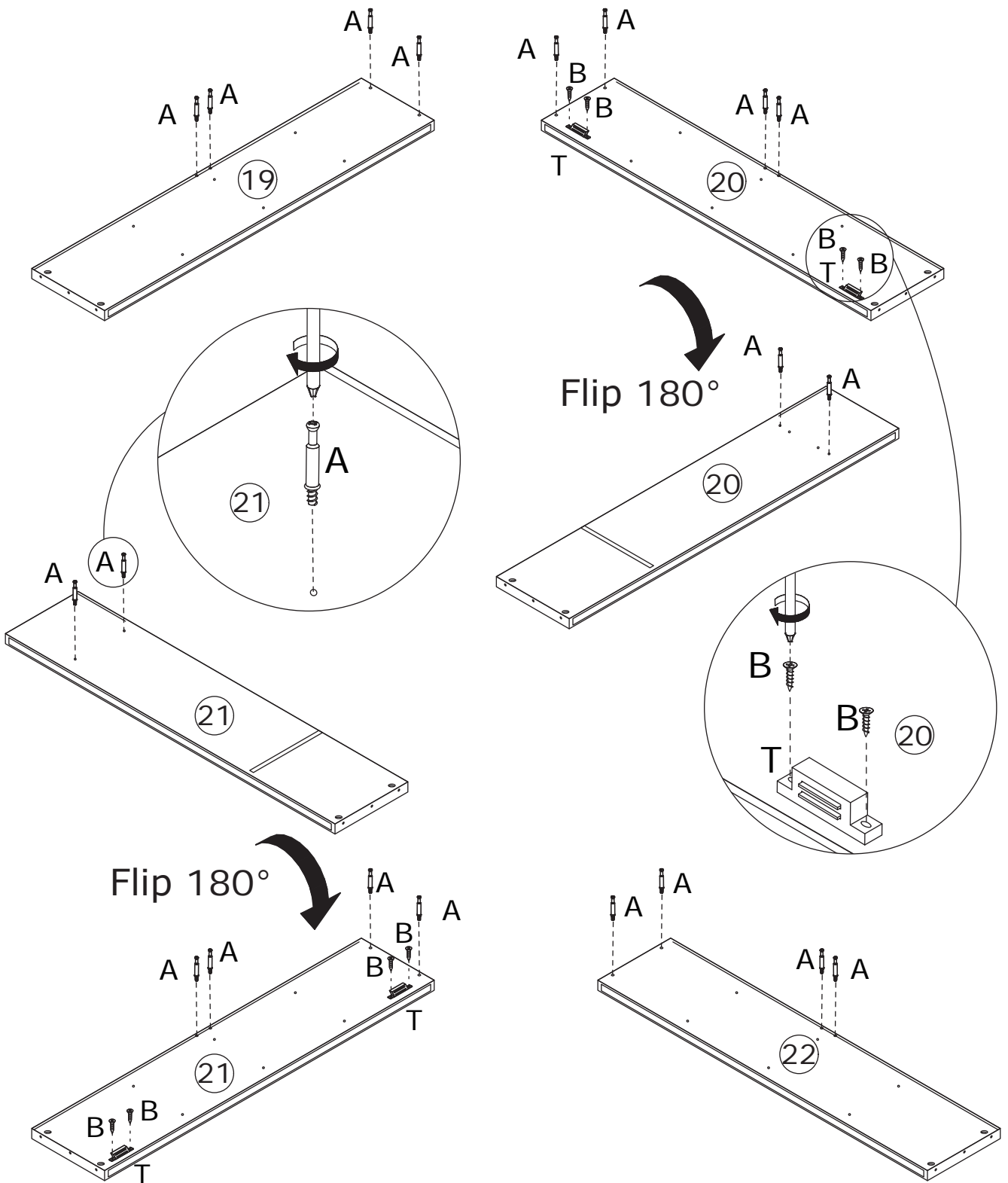
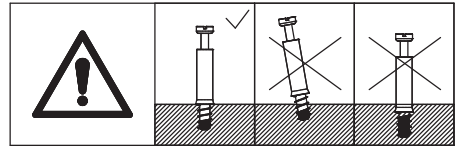
Attach plate 12 to plates 1 and 2 with dowel (E), tighten by turning eccentric wheel (C) clockwise as shown.



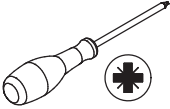
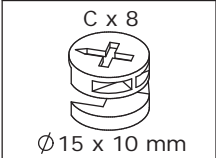
# 21



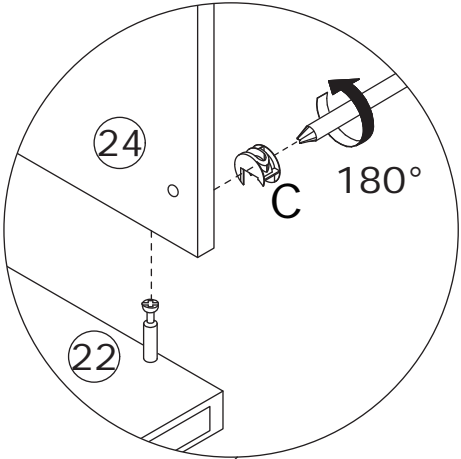
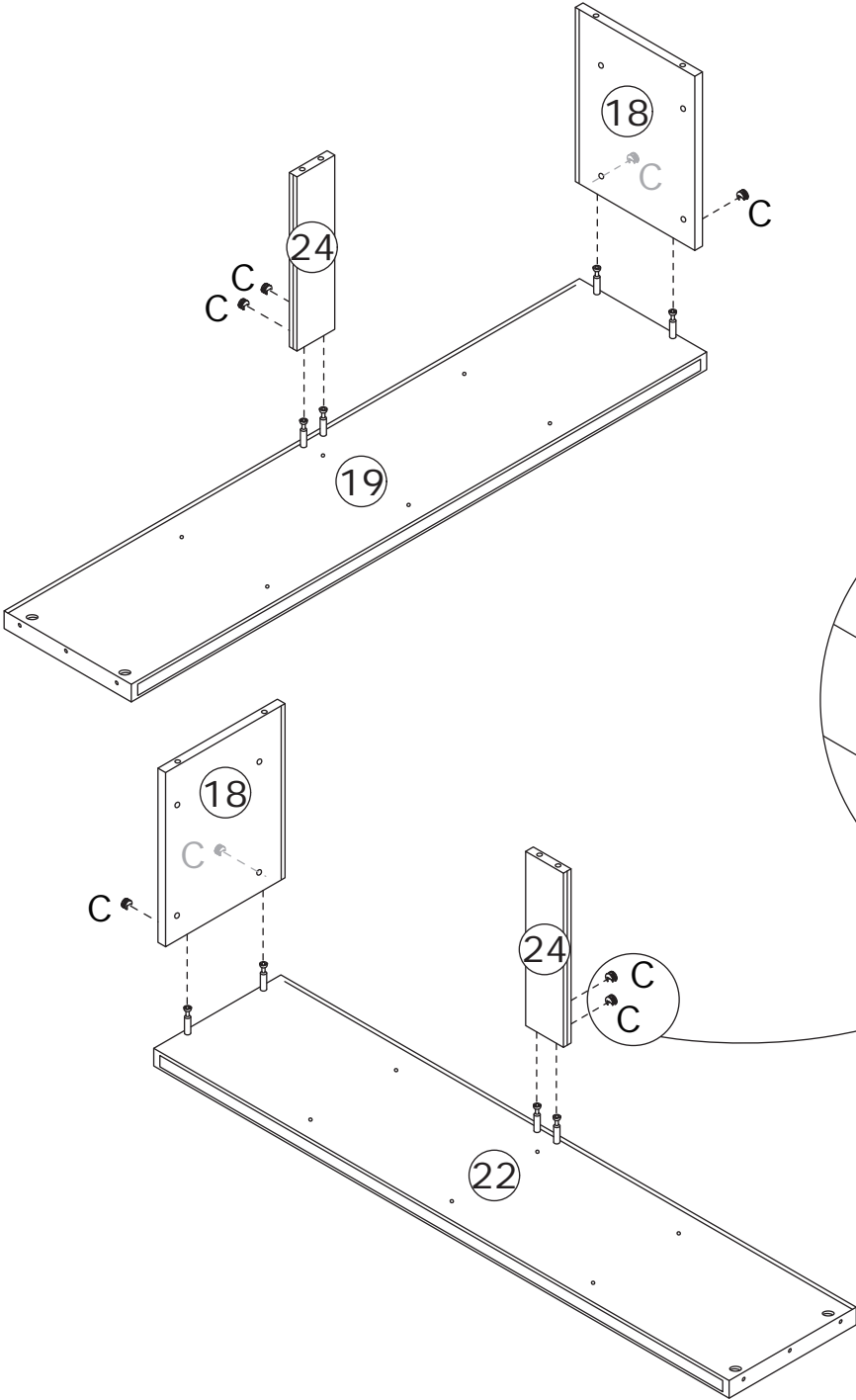
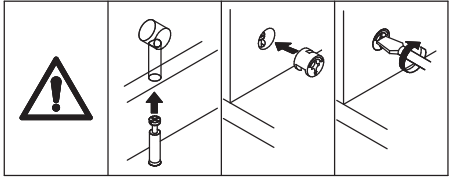
Install screws (A) onto plates 19, 20, 21 and 22.  
Secure magnet (T) to plates 20 and 21 with screws (B) as shown.



22

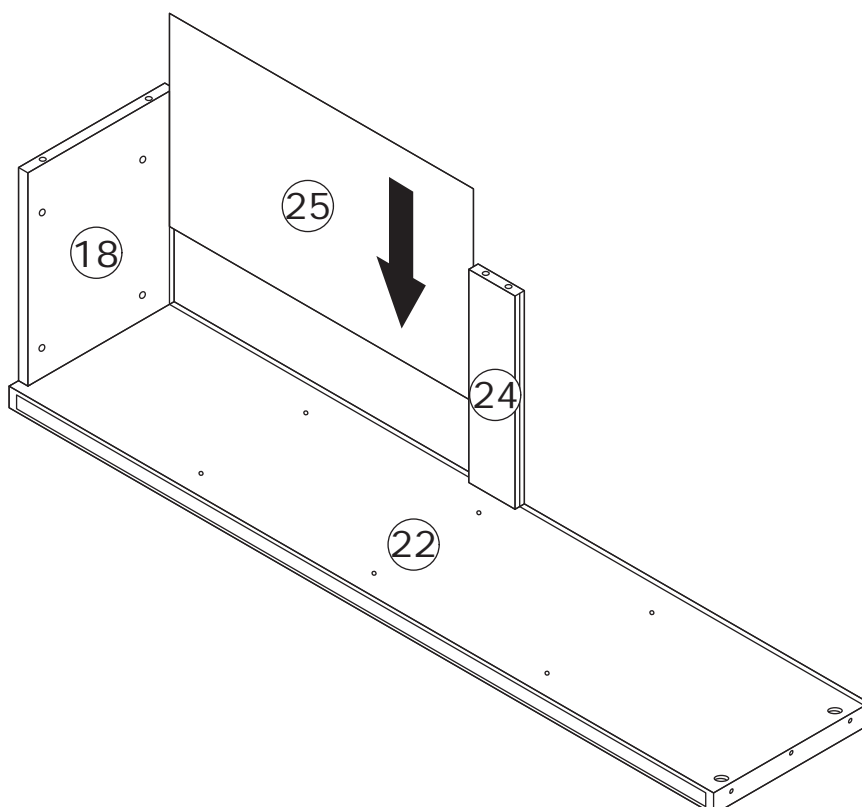
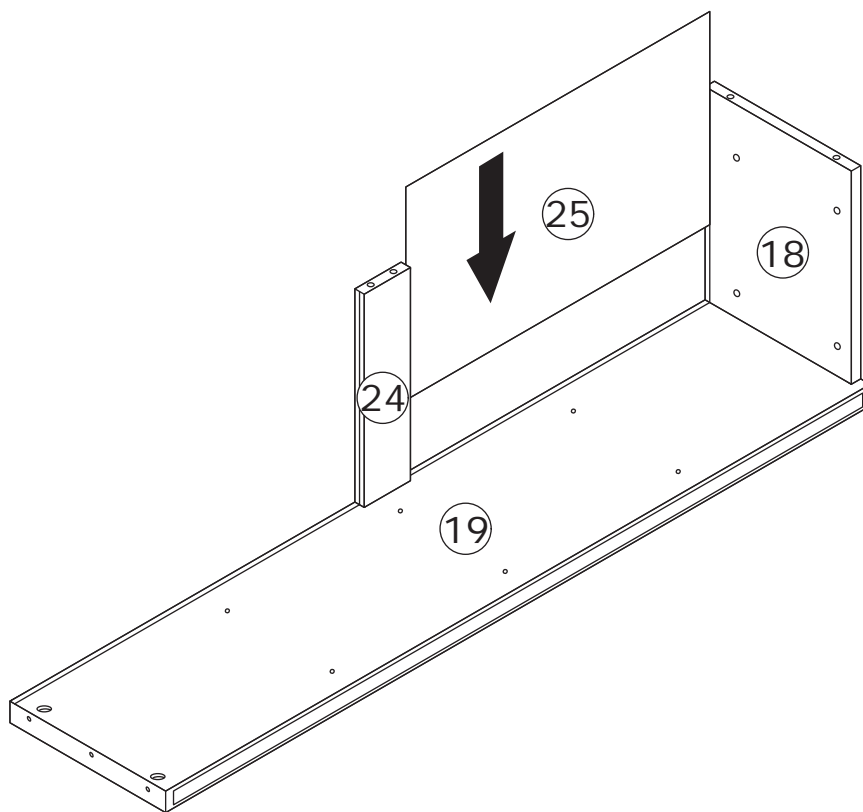


Attach plates 24 and 18 to plates 19 and 22, tighten by turning eccentric wheel (C) clockwise as shown.

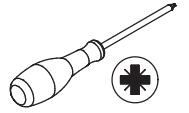
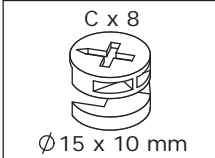


23

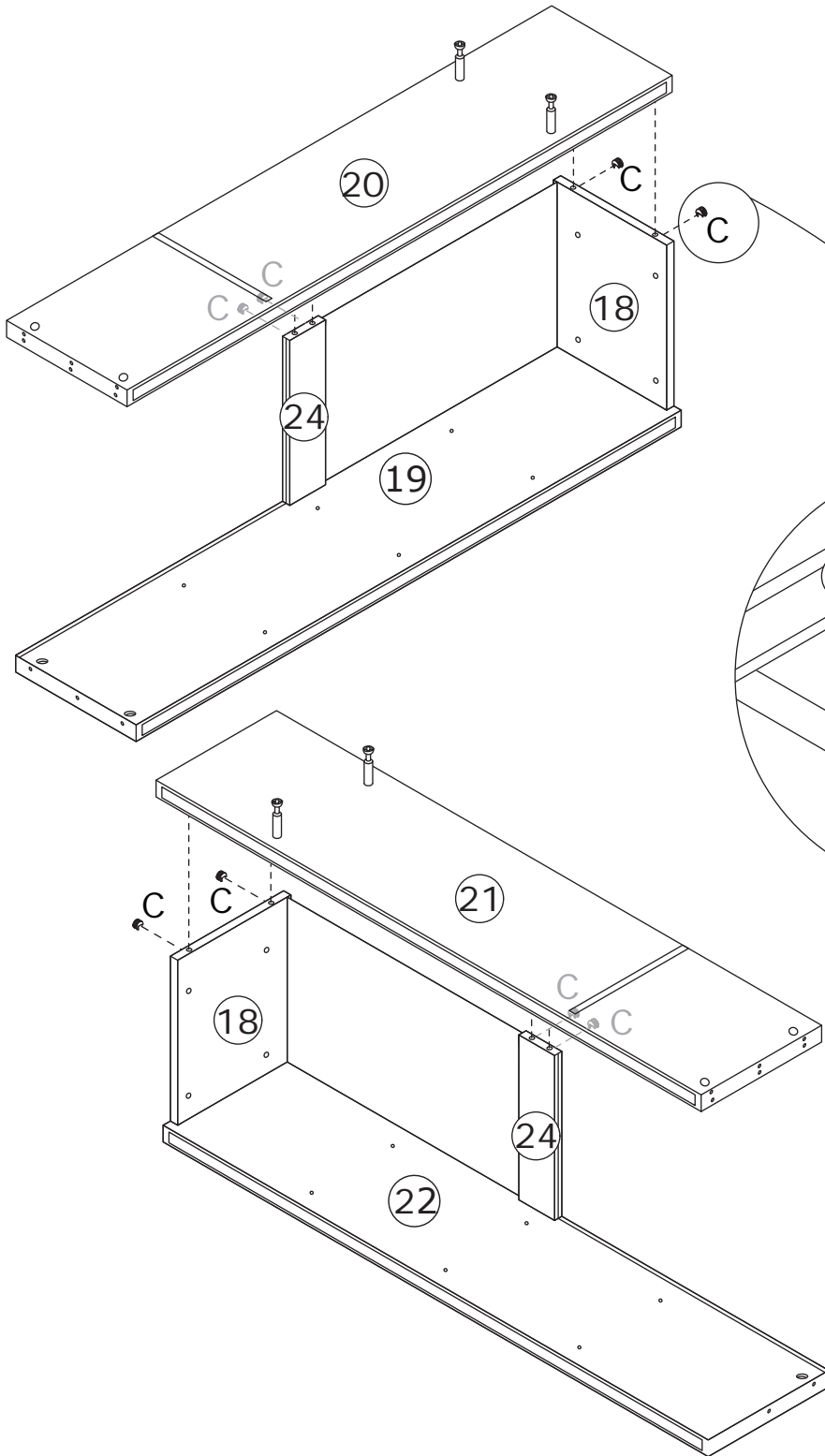
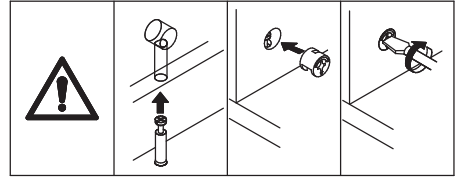
Slide plate 25 along the grooves as shown.



24

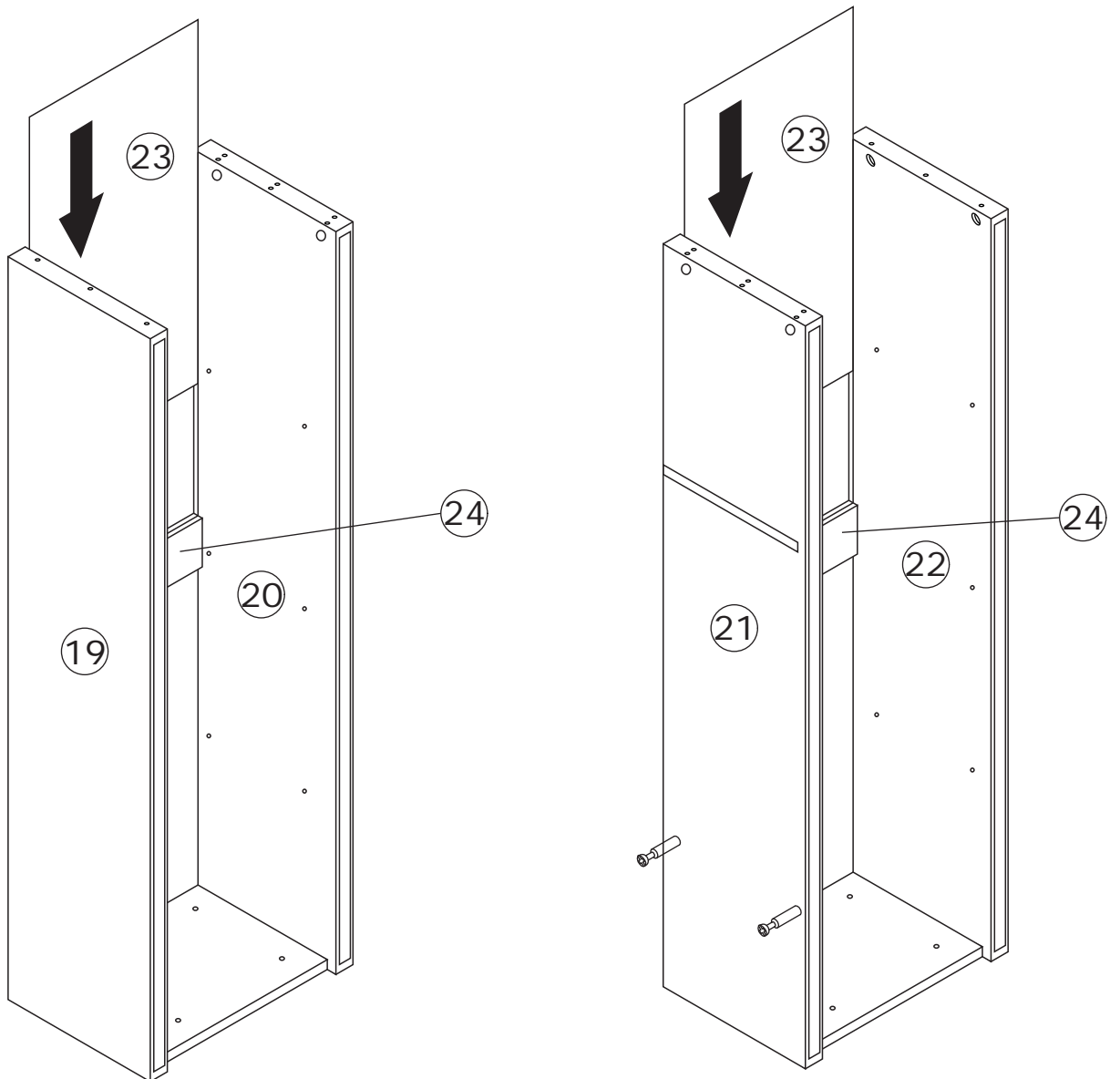


Attach plates 20 and 21 to plates 24 and 18, tighten by turning eccentric wheel (C) clockwise as shown.

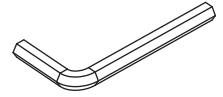


25

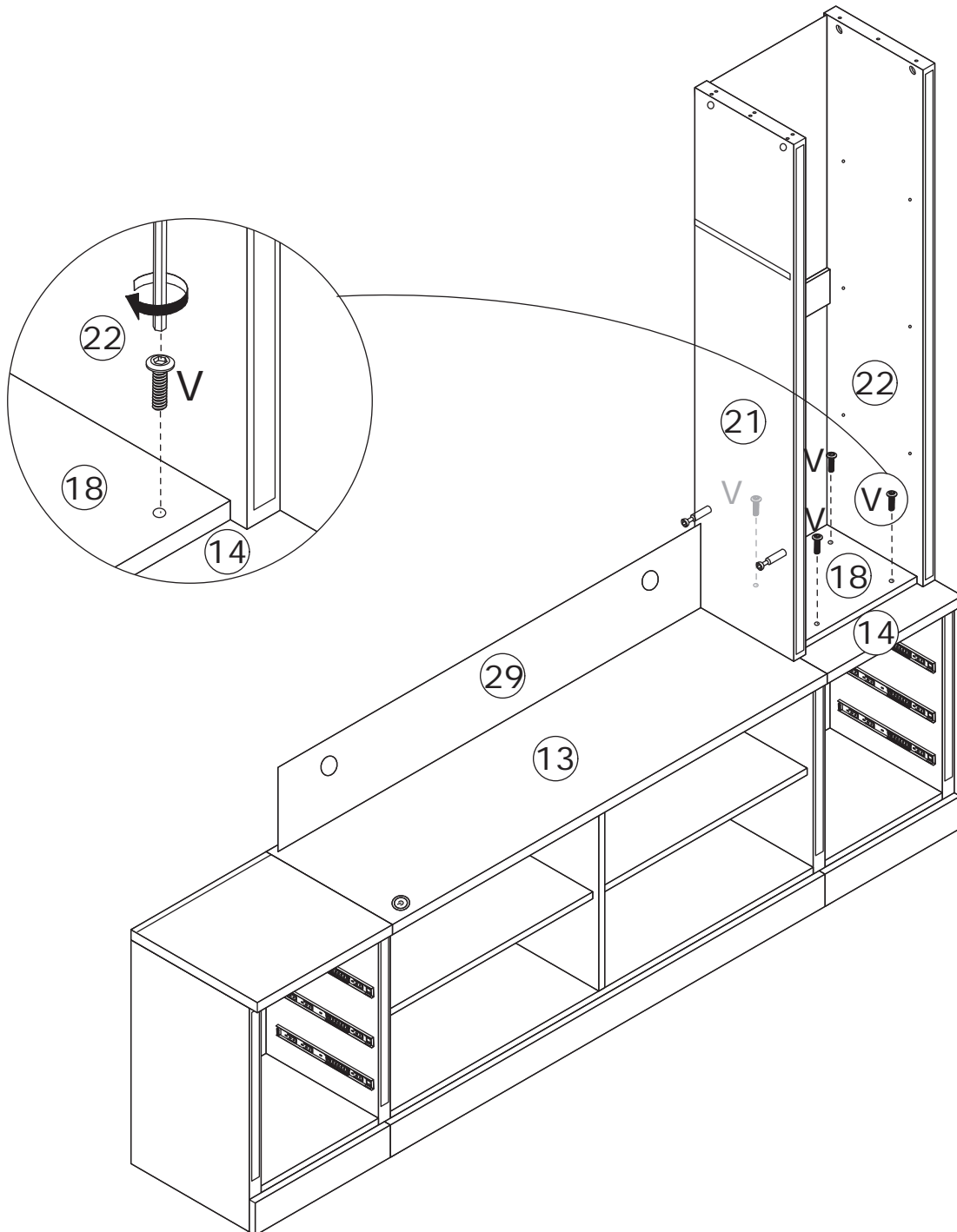
Slide plate 23 along the grooves as shown.



26

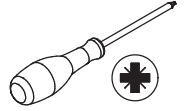
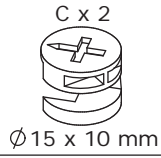


Secure plate 18 to plate 14 with screws (V) and attach back plate 29 to plates 21 and 13 as shown.

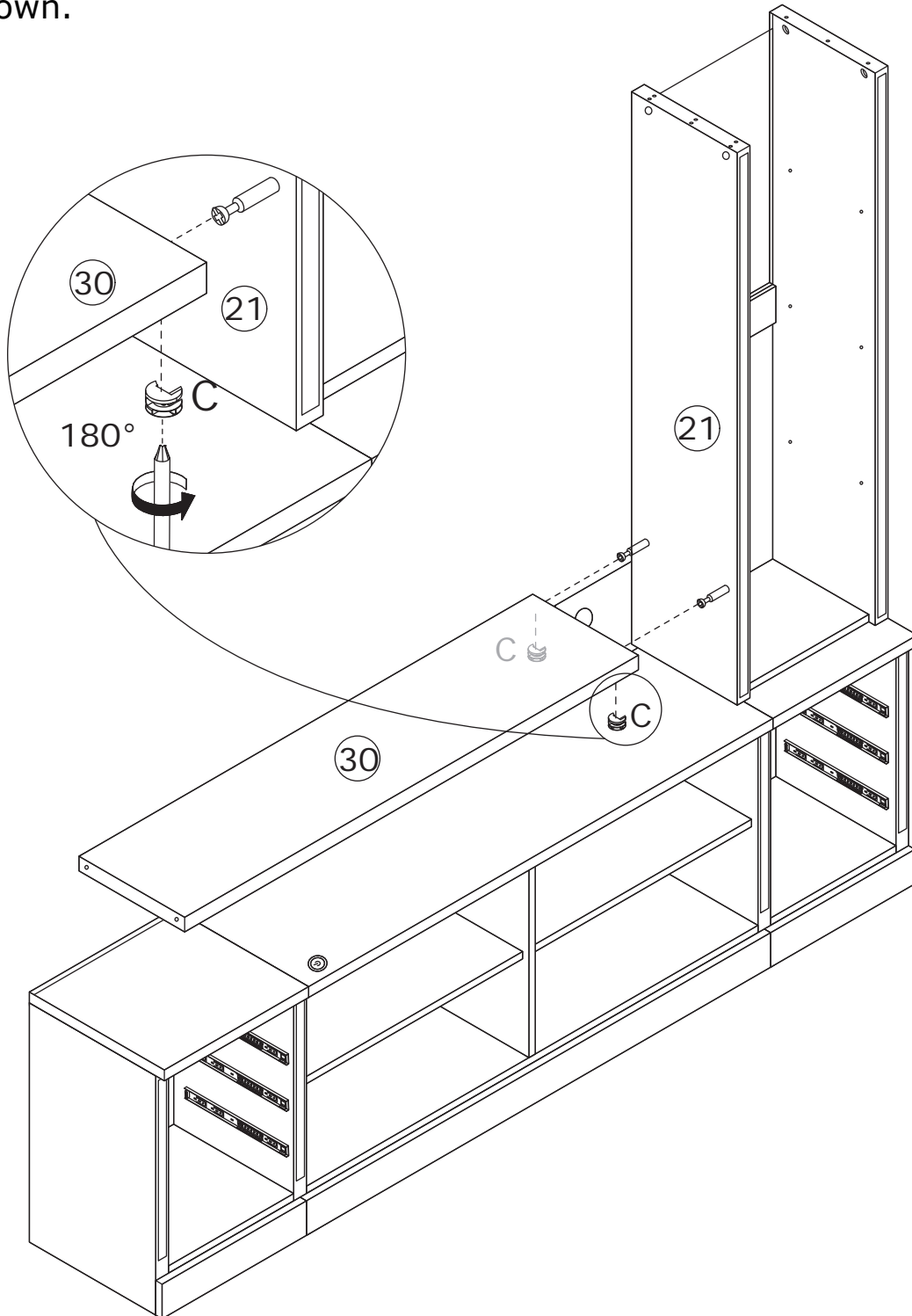
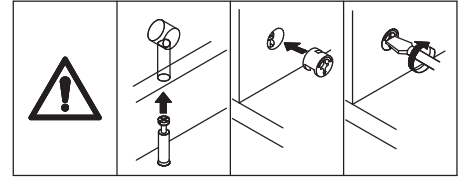


**This step is best installed by two people.**

27



Attach plate 30 to plate 21, tighten by turning eccentric wheel (C) clockwise as shown.



**This step is best installed by two people.**

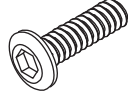
28

C x 2

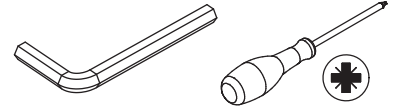


Ø 15 x 10 mm

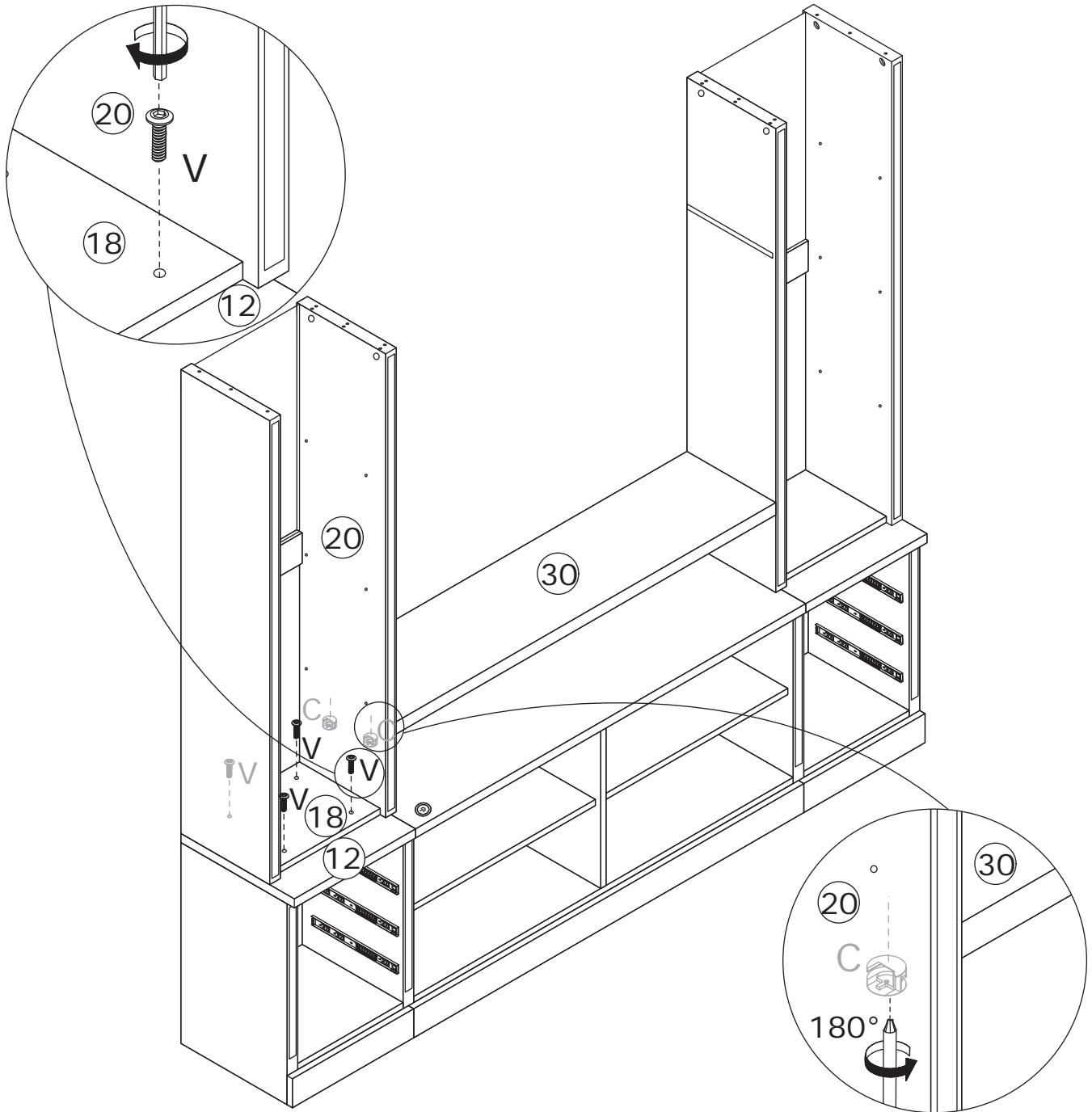
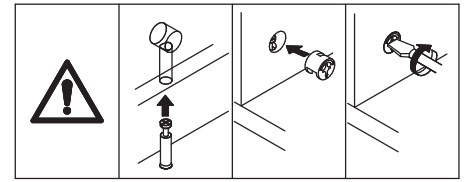
V x 4



Ø 6 x 25 mm

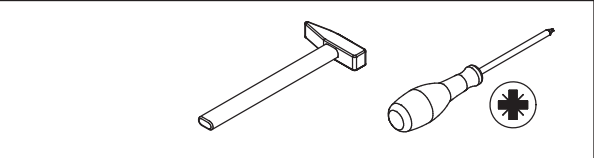
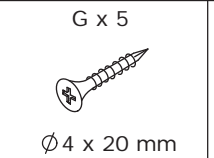
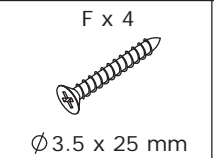
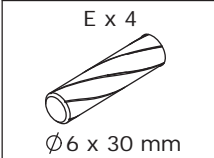


Attach plate 20 to plate 30, tighten by turning eccentric wheel (C) clockwise as shown. Secure plate 18 to plate 12 with screws (V) as shown.

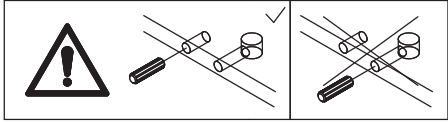


This step is best installed by two people.

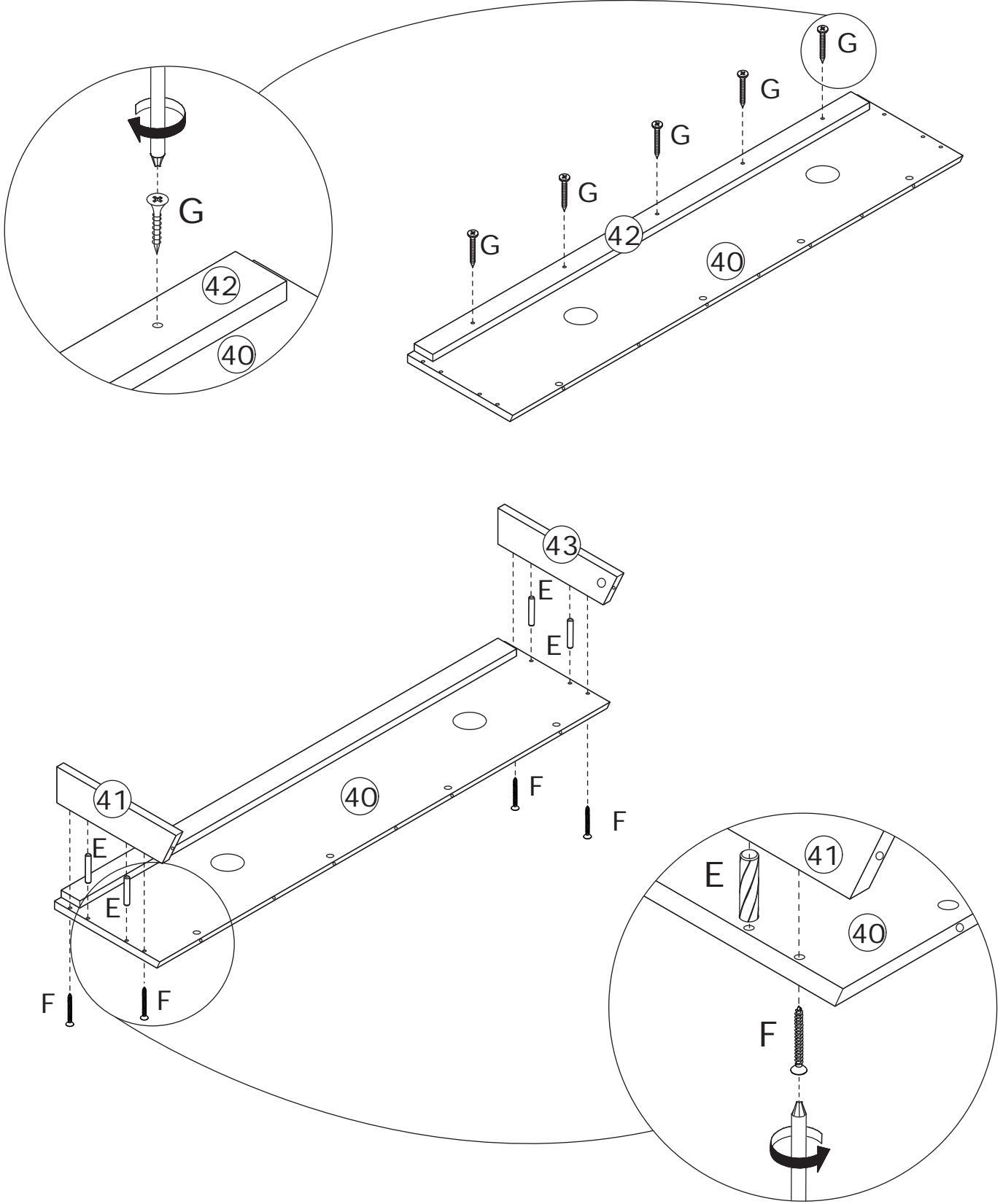
29



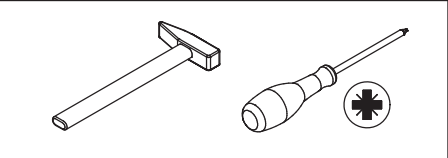
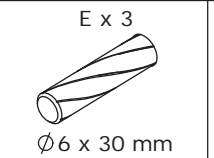
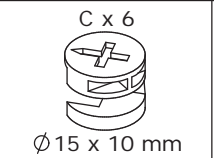
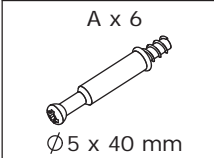
Secure plate 42 to plate 40 with screws (G).



Attach plates 41 and 43 to plate 40 using dowels (E) and secure with screws (F).

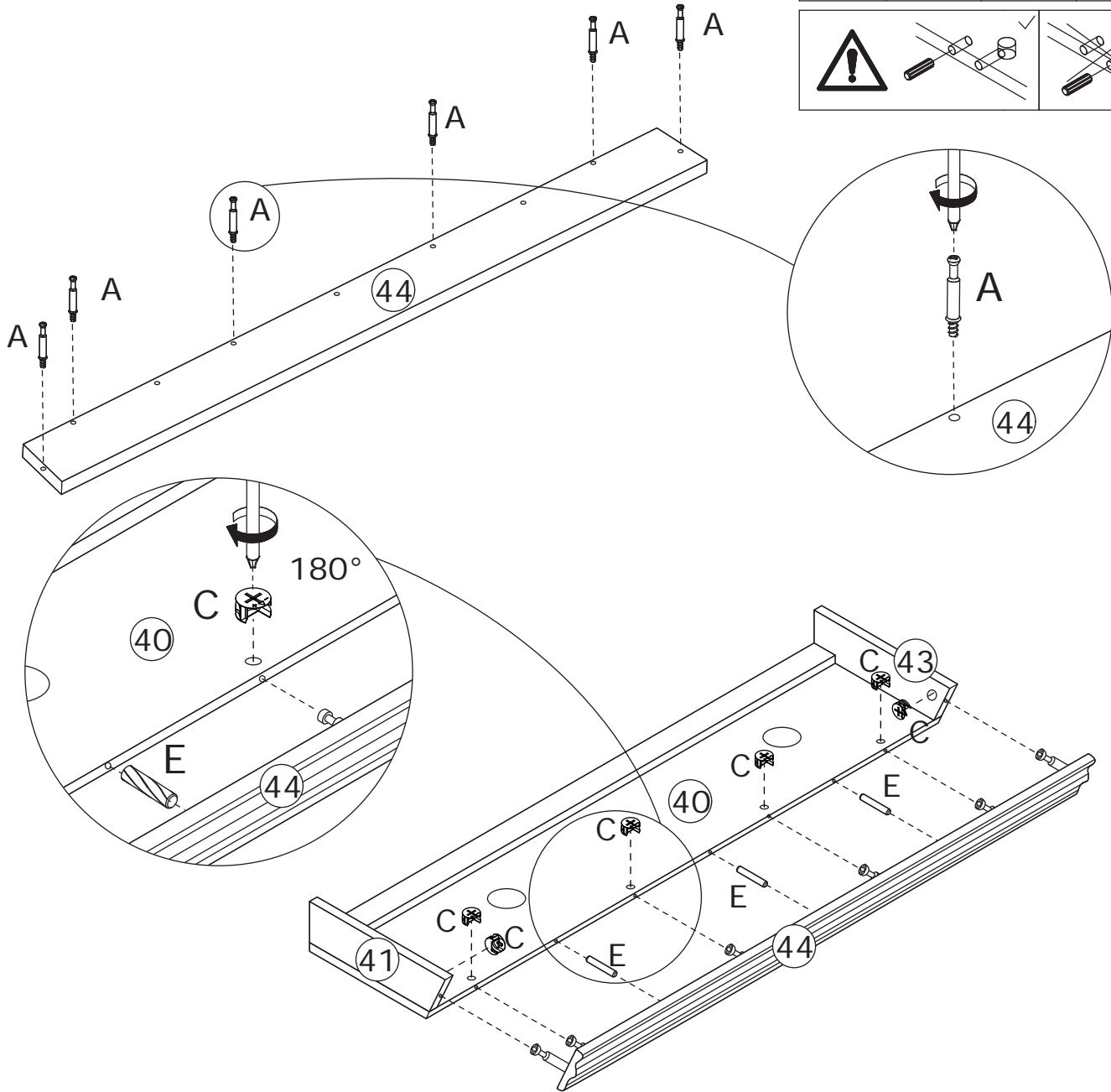
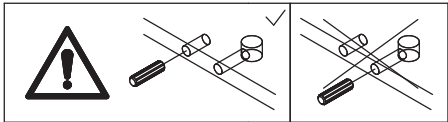
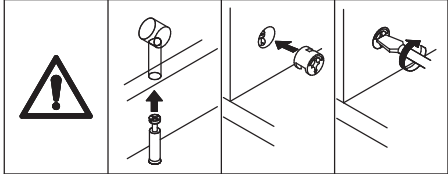
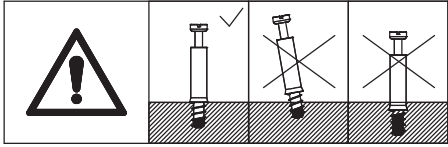


30

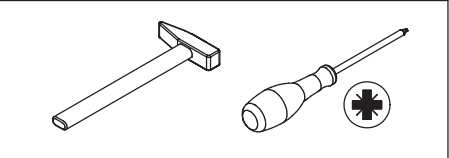
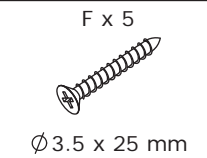
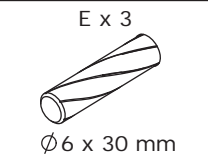
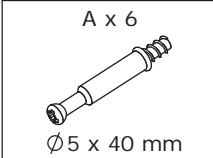


Install screw (A) onto plate 44.

Attach plate 44 to plate 40, 41 and 43 using dowels (E), tighten by turning eccentric wheel (C) clockwise as shown.



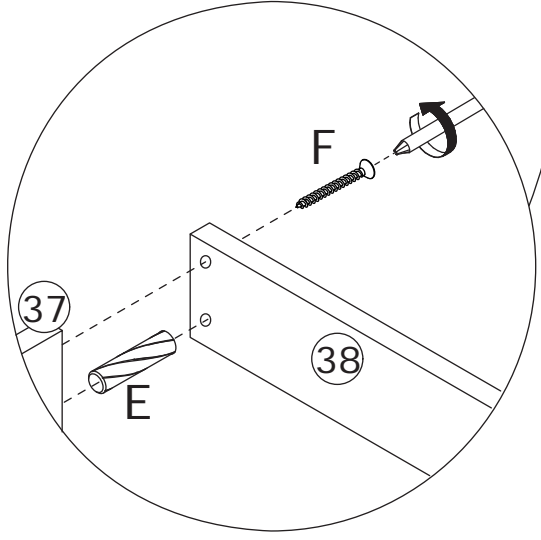
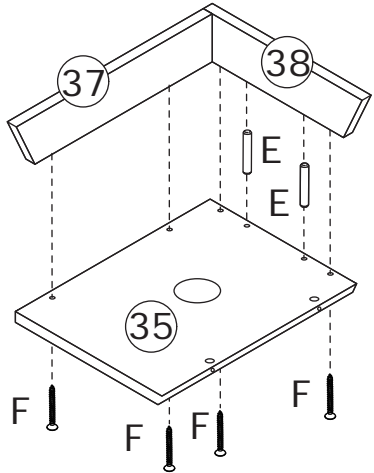
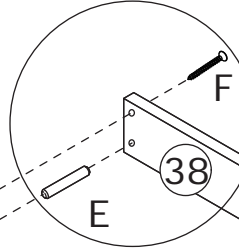
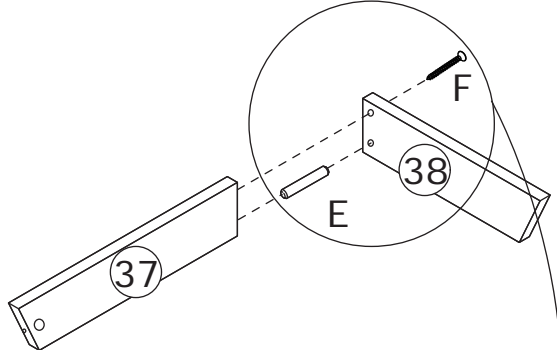
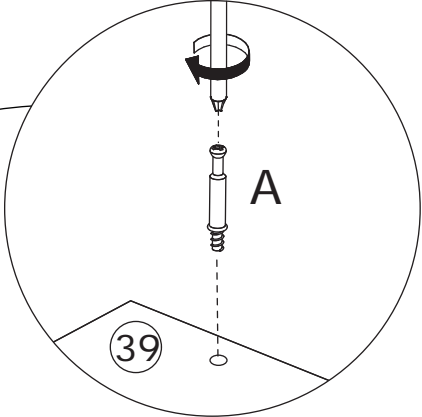
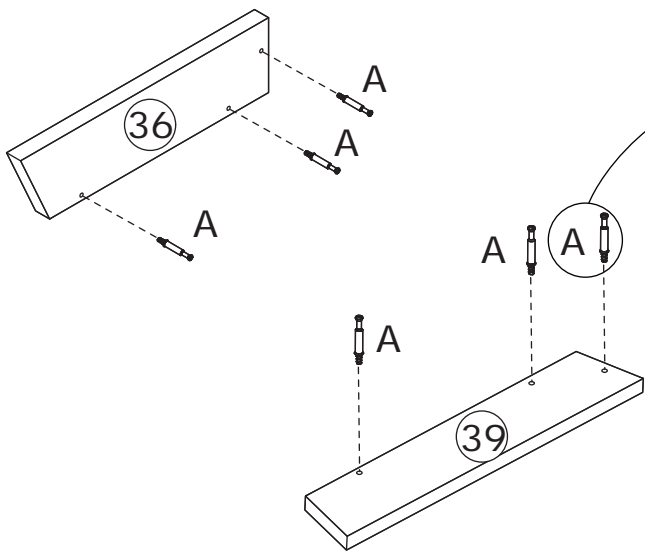
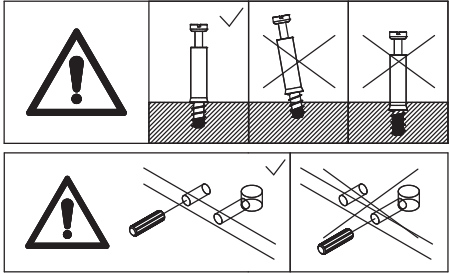
31



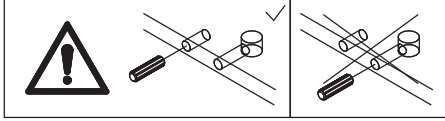
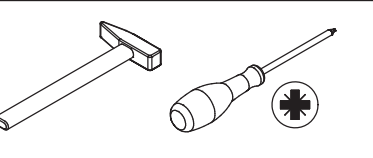
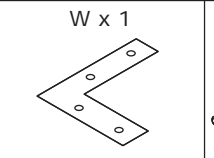
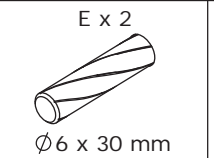
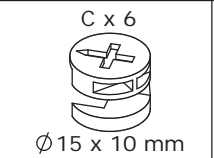
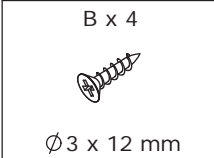
Install screws (A) onto plates 36 and 39 as shown.

Attach plate 37 to plate 38 using dowel (E) and secure with screws (F) as shown.

Attach plates 37 and 38 to plate 35 using dowel (E) and secure with screws (F) as shown.



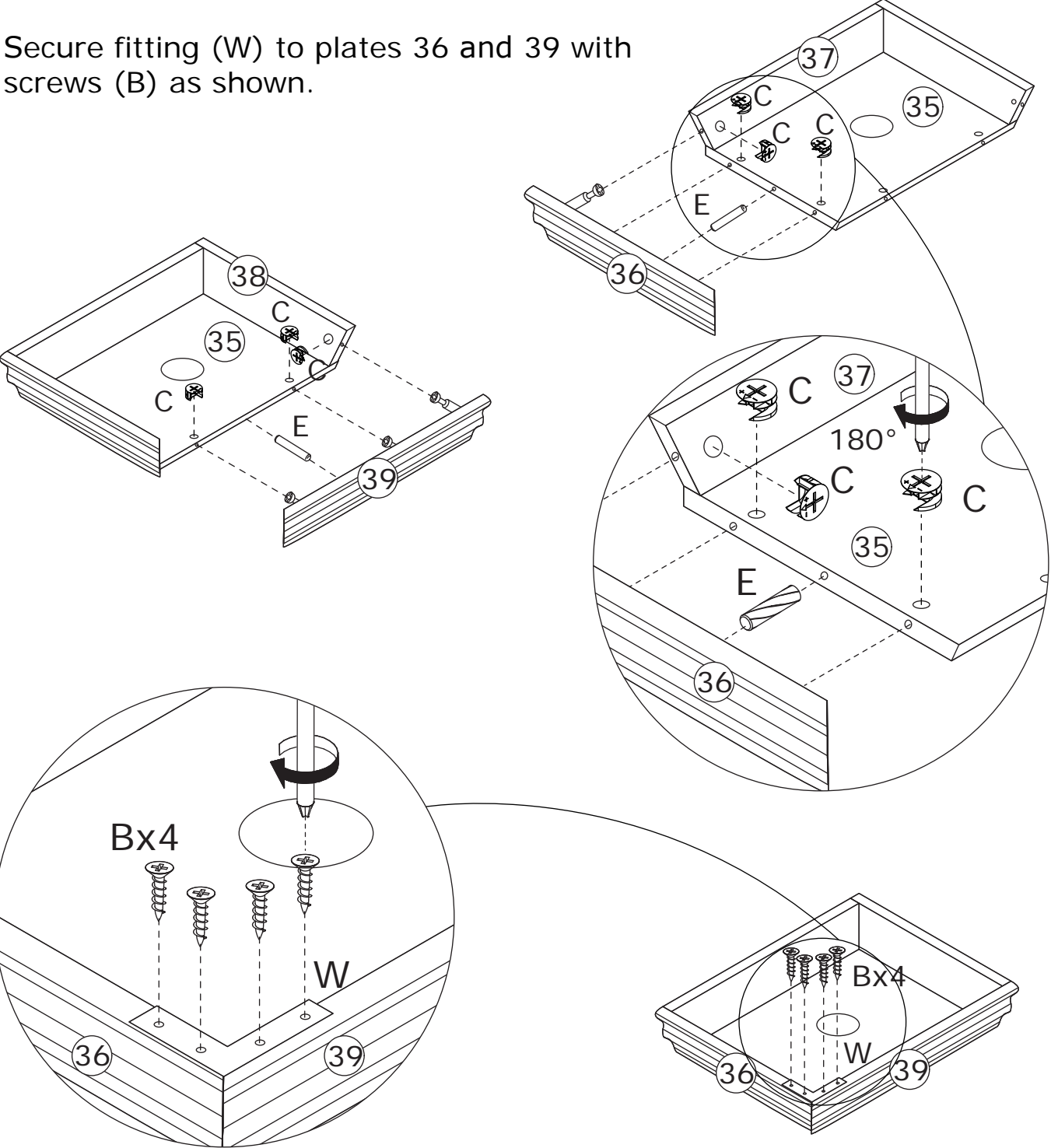
32



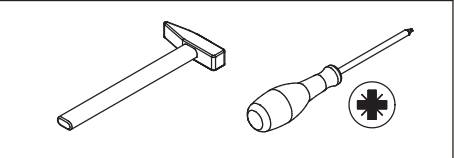
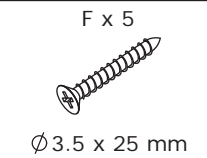
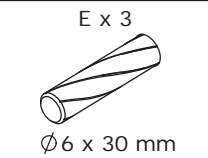
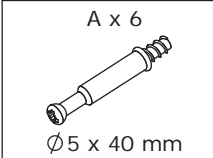
Attach plate 39 to plates 35 and 38 using dowel (E), tighten by turning eccentric wheel (C) clockwise as shown.

Attach plate 36 to plates 35 and 37 using dowel (E), tighten by turning eccentric wheel (C) clockwise as shown.

Secure fitting (W) to plates 36 and 39 with screws (B) as shown.



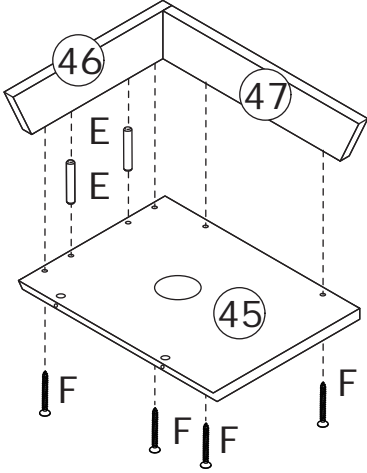
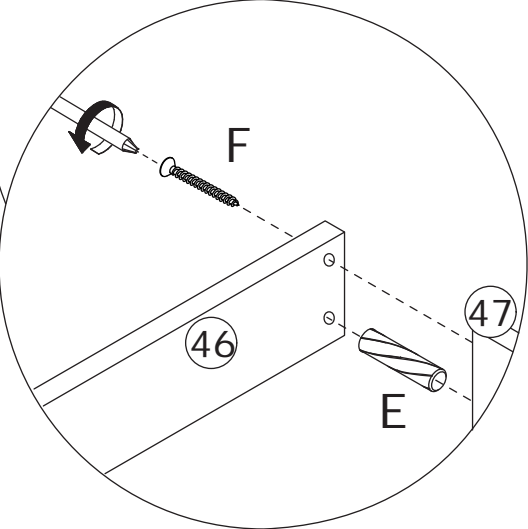
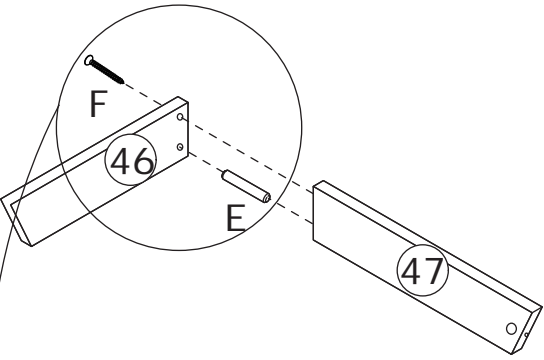
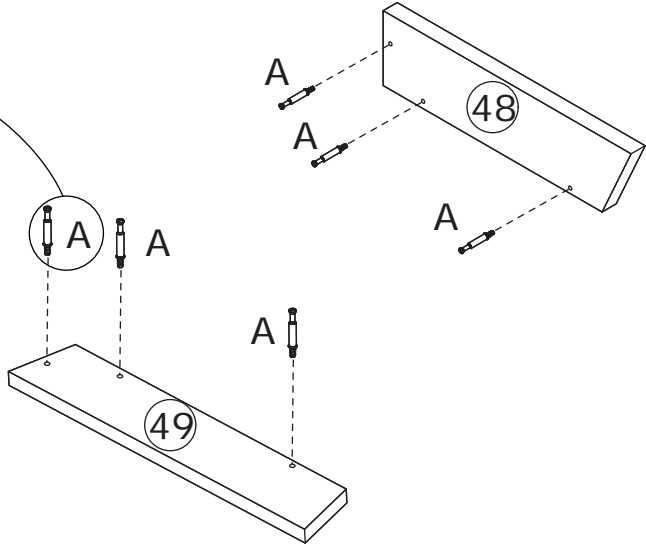
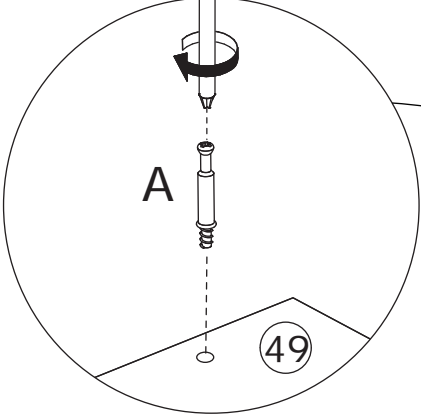
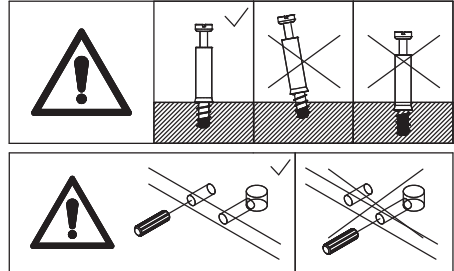
33



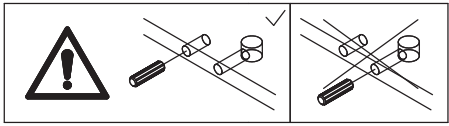
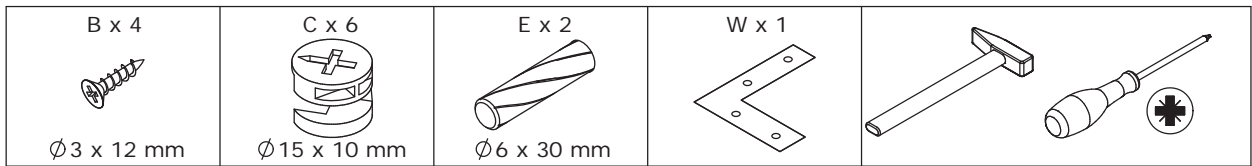
Install screws (A) onto plates 48 and 49 as shown.

Connect plates 46 and 47 together using dowel (E) and secure with screws (F) first.

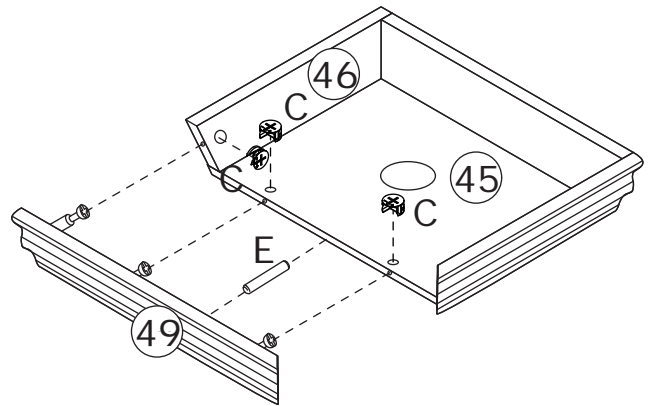
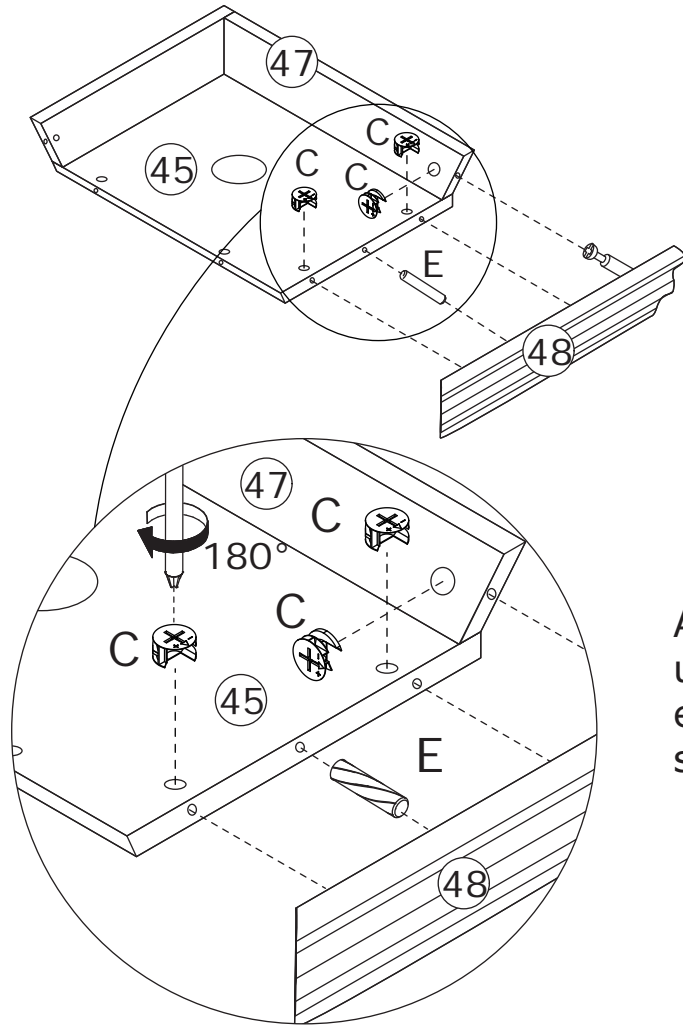
Attach plates 46 and 47 to plate 45 using dowel (E) and secure with screws (F) as shown.



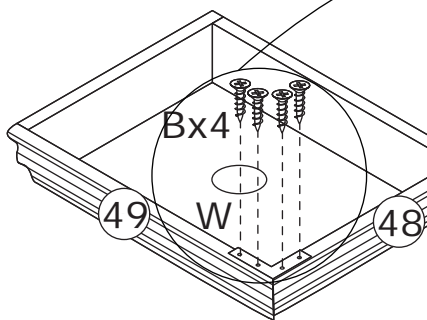
34



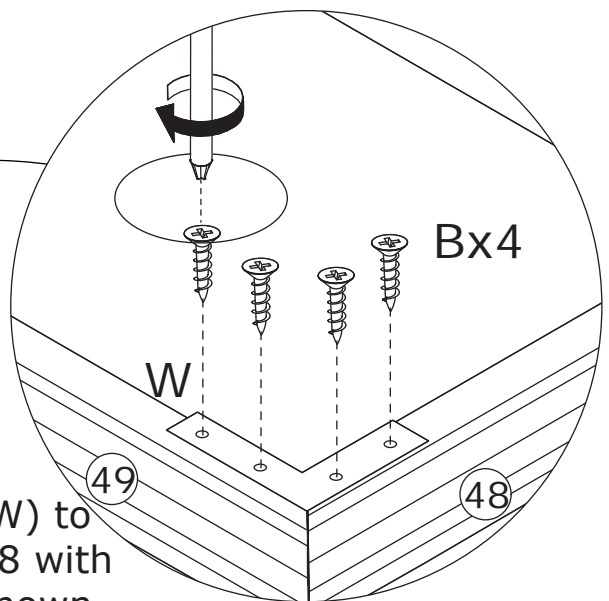
Attach plate 48 to plates 45 and 47 using dowel (E), tighten by turning eccentric wheel (C) clockwise as shown.



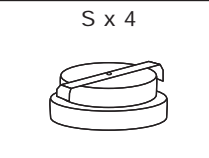
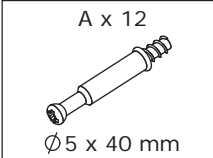
Attach plate 49 to plates 45 and 46 using dowel (E), tighten by turning eccentric wheel (C) clockwise as shown.



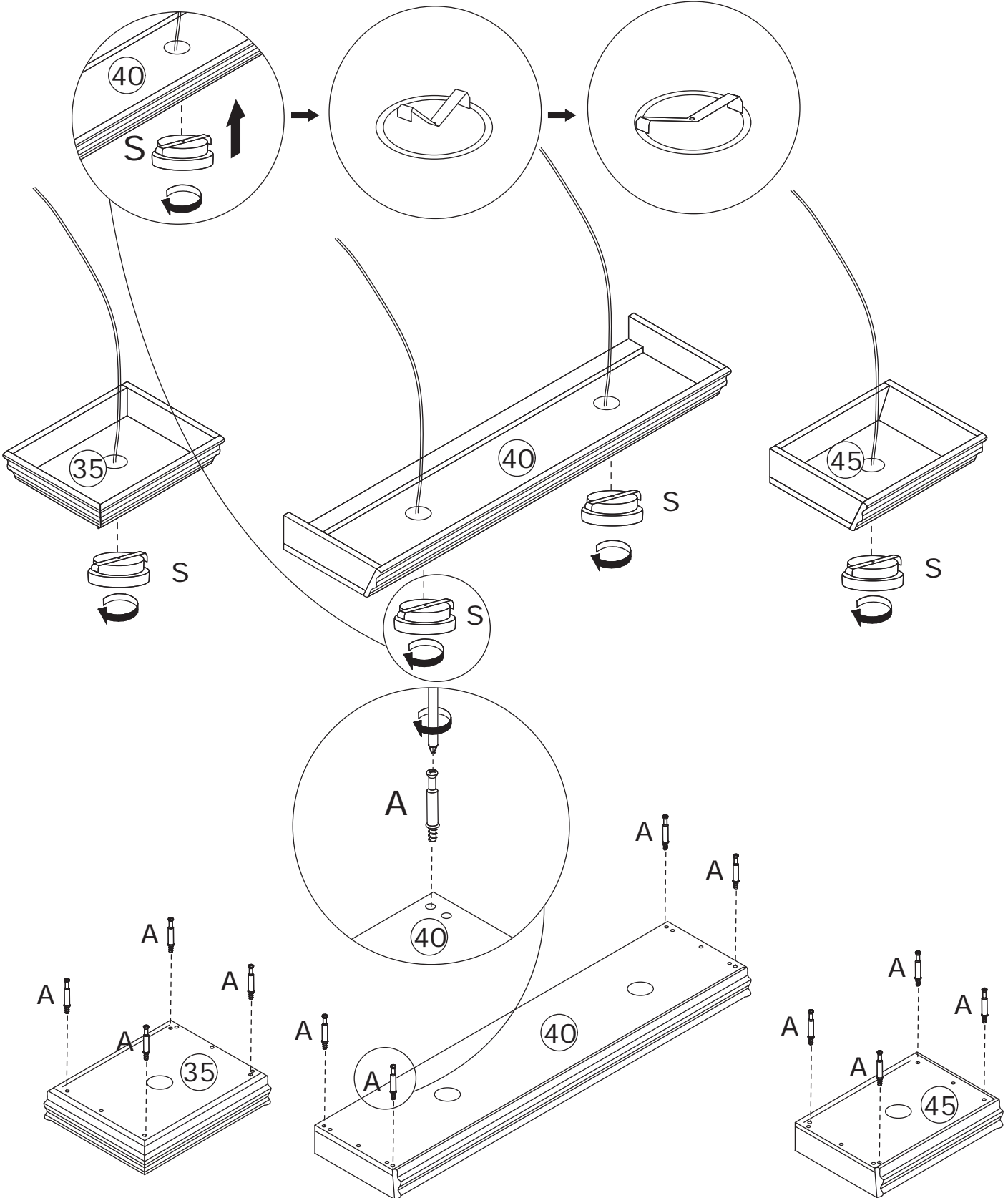
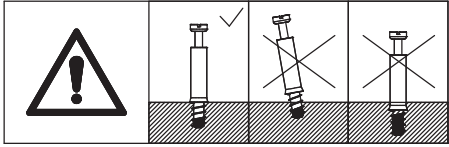
Secure fitting (W) to plates 49 and 48 with screws (B) as shown.



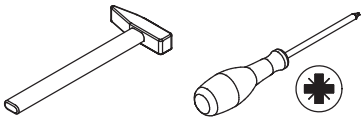
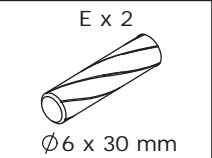
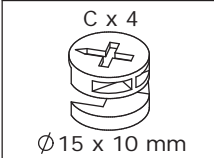
35



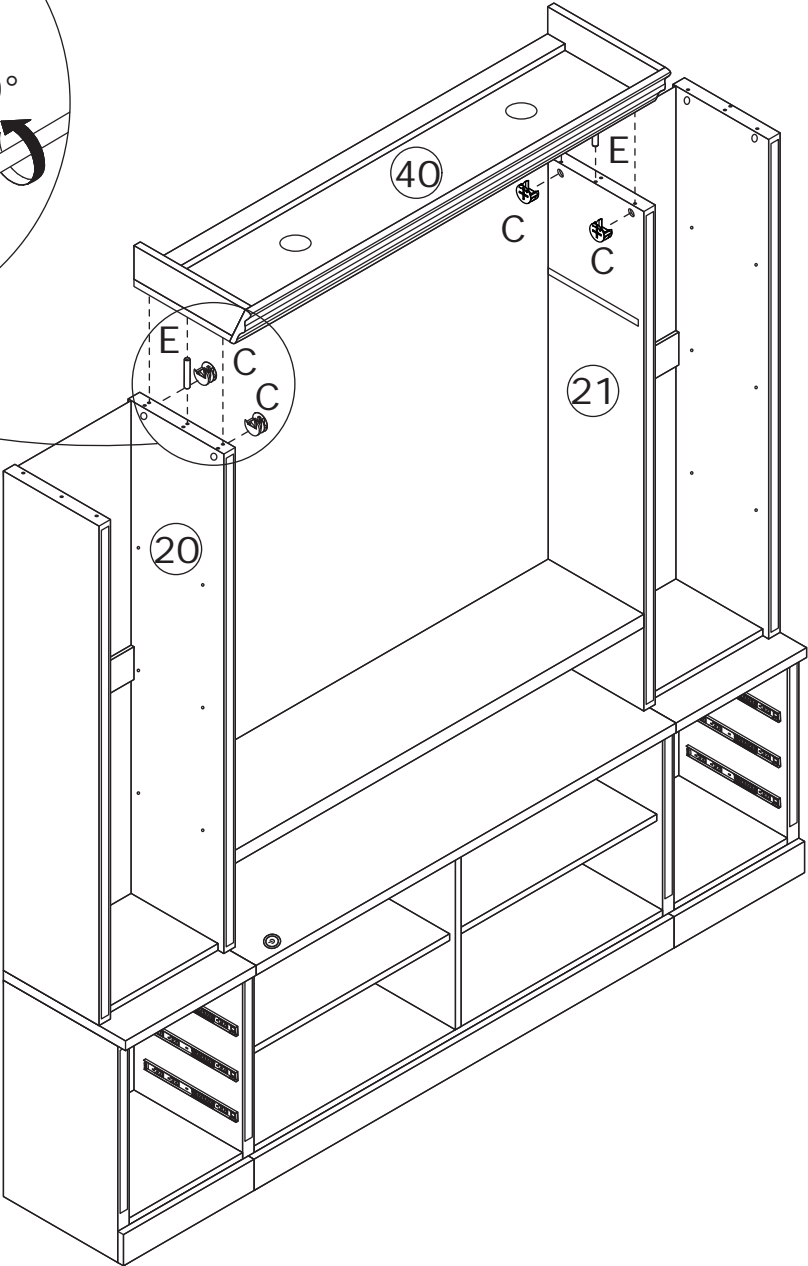
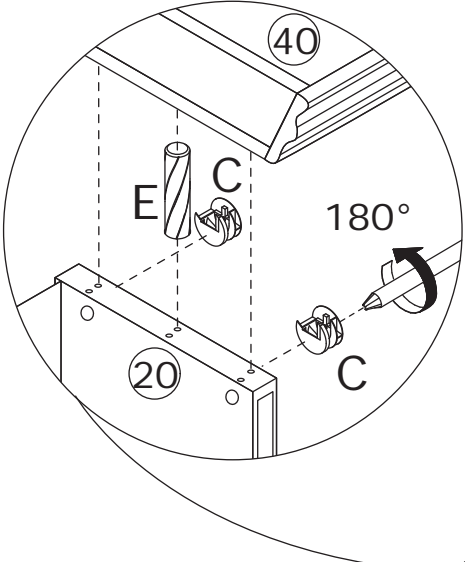
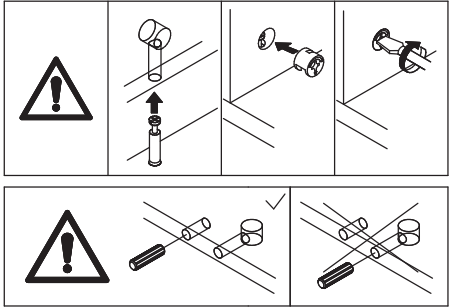
Install wire box (S) and screws (A) onto plates 35, 40 and 45 as shown.



36



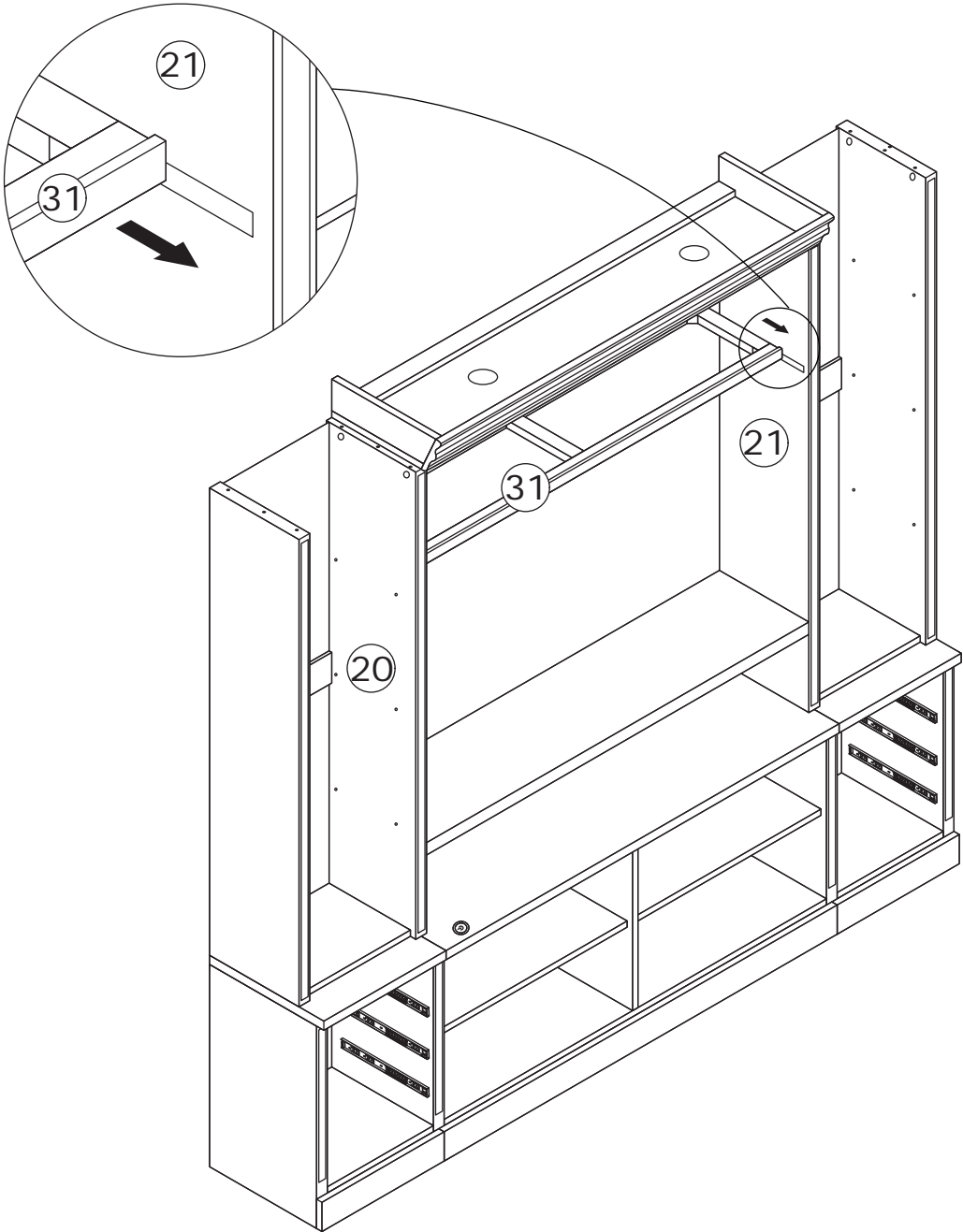
Attach plate 40 to plates 20 and 21 using dowel (E), tighten by turning eccentric wheel (C) clockwise as shown.



 **This step is best installed by two people.**

37

Slide the plate 31 along the grooves of the plates 20, 21 as shown.

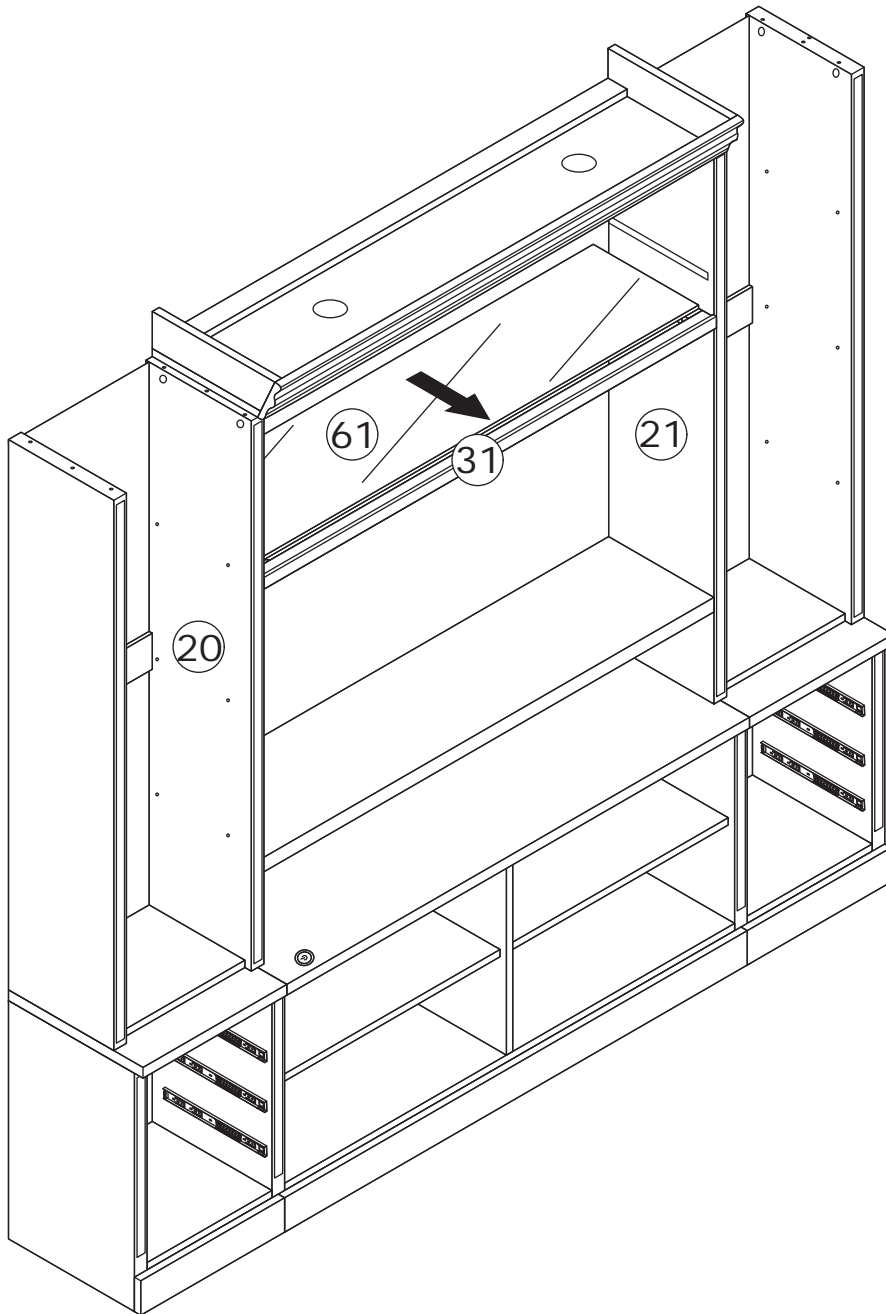


**There is a raised side in front of the cabinet.**

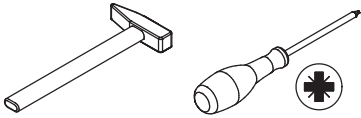
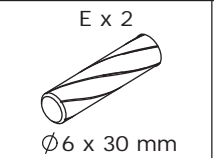
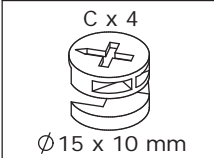
38



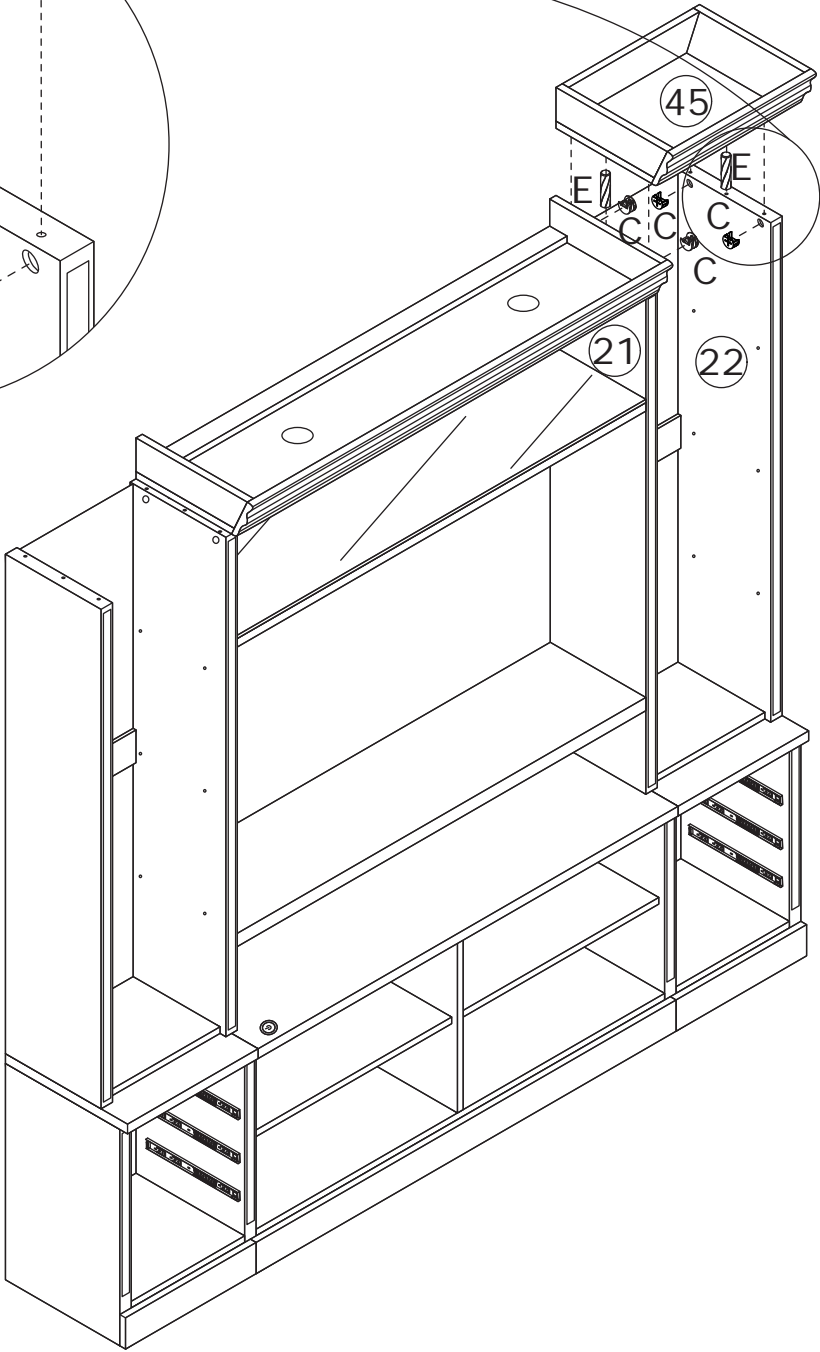
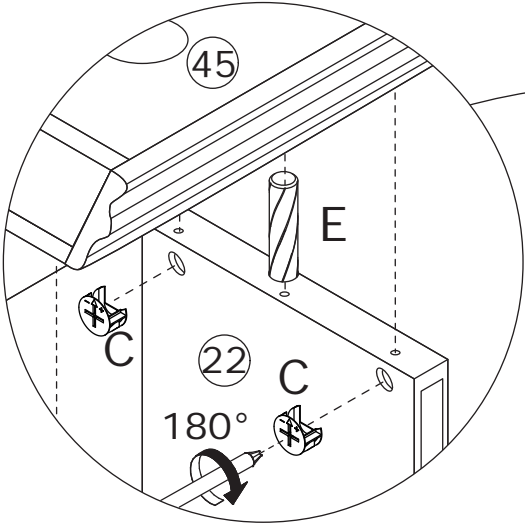
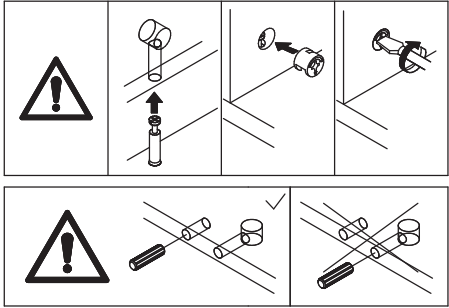
Place glass laminate 61 on as shown.



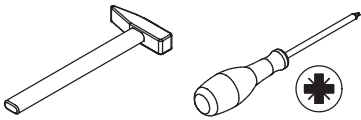
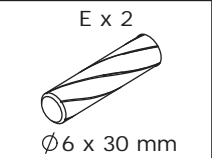
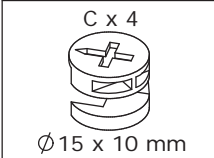
39



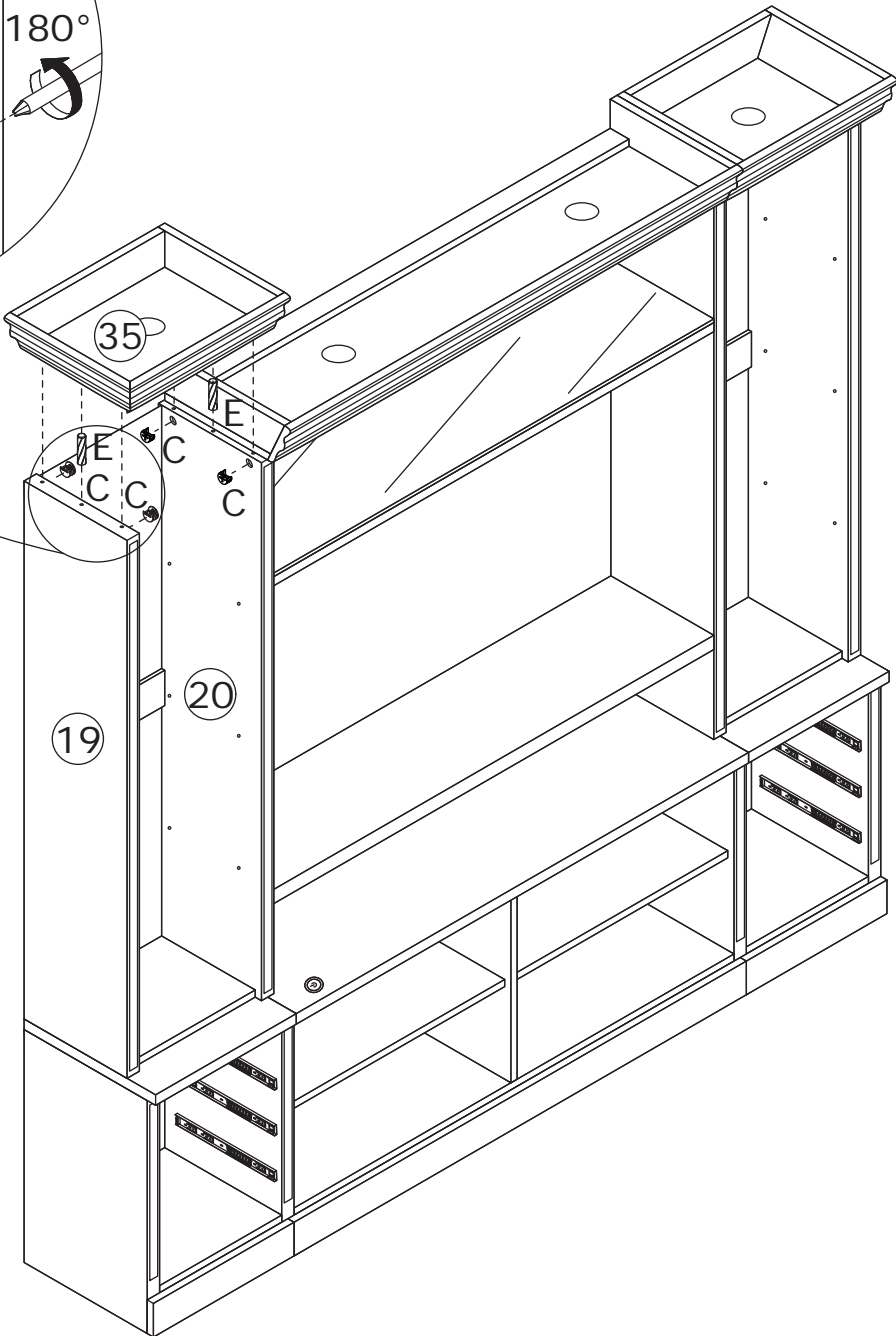
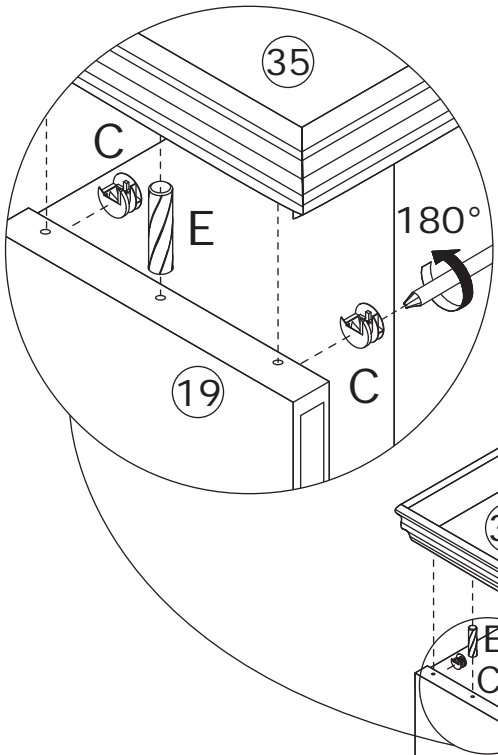
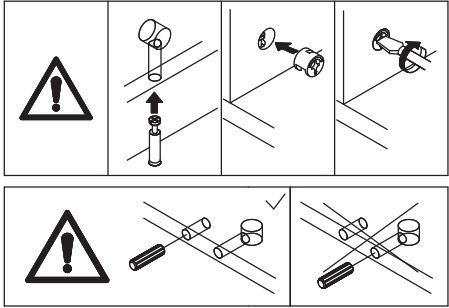
Connect plate 45 to plates 21 and 22 using dowel (E), tighten by turning eccentric wheel (C) clockwise as shown.



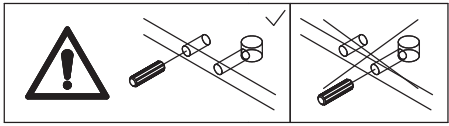
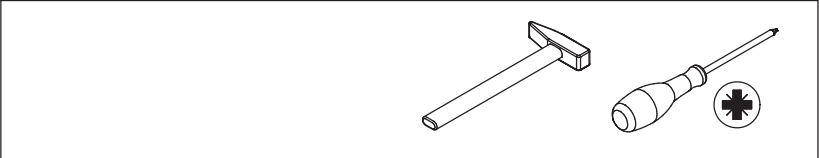
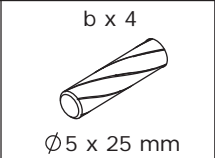
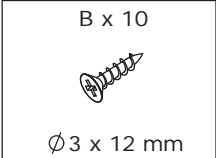
40



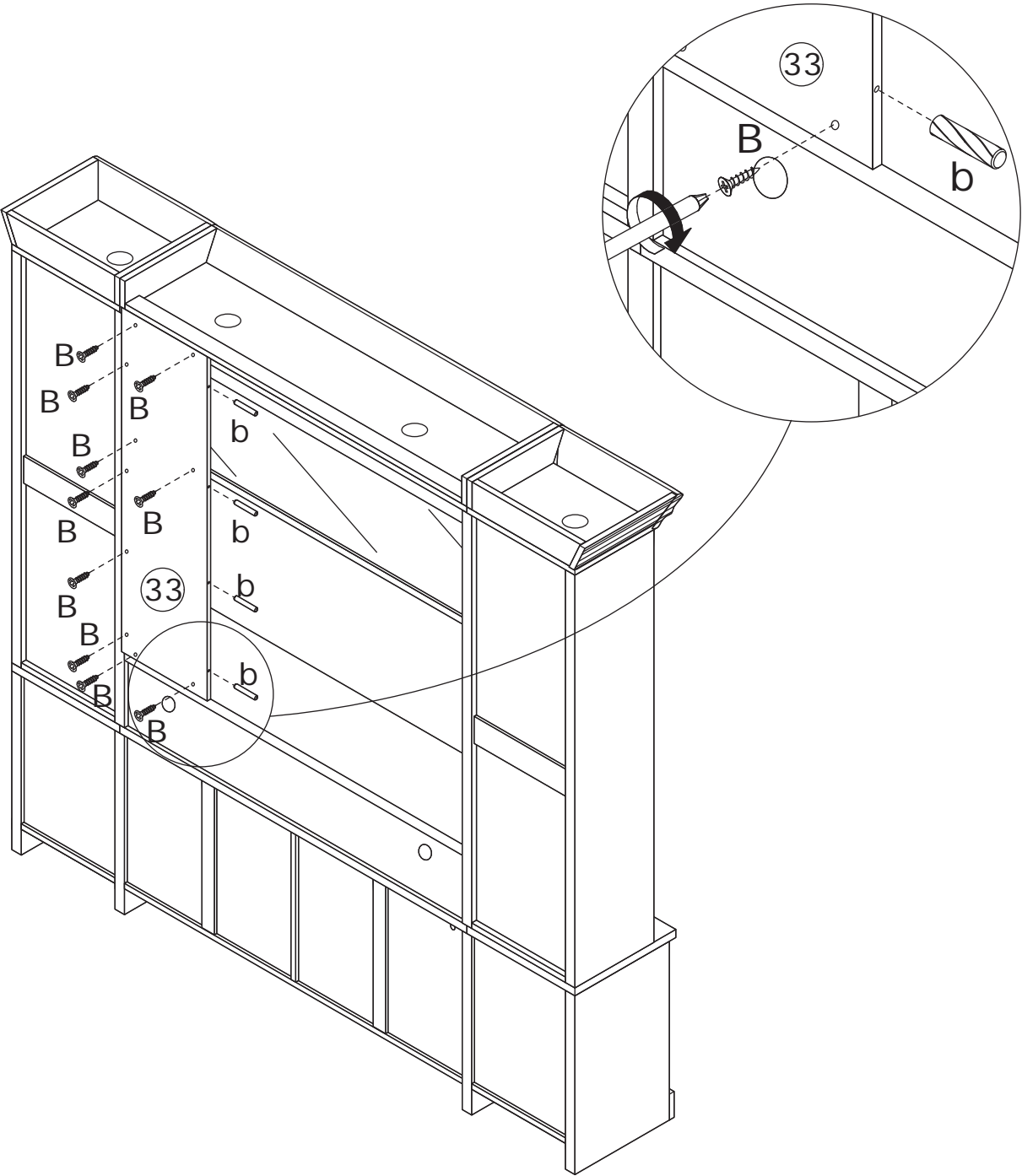
Connect plate 35 to plates 20 and 19 using dowel (E), tighten by turning eccentric wheel (C) clockwise as shown.




41

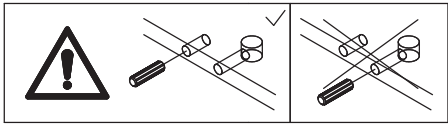
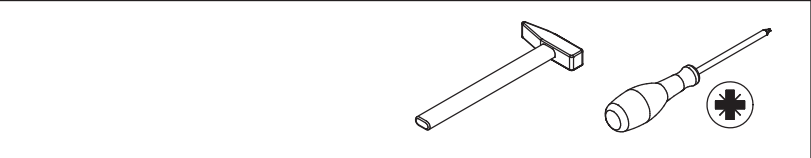
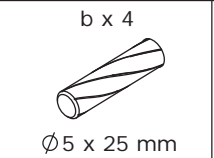
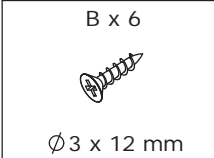


Secure plate 33 to back of the unit with screws (B) and insert dowel (b) onto as shown.

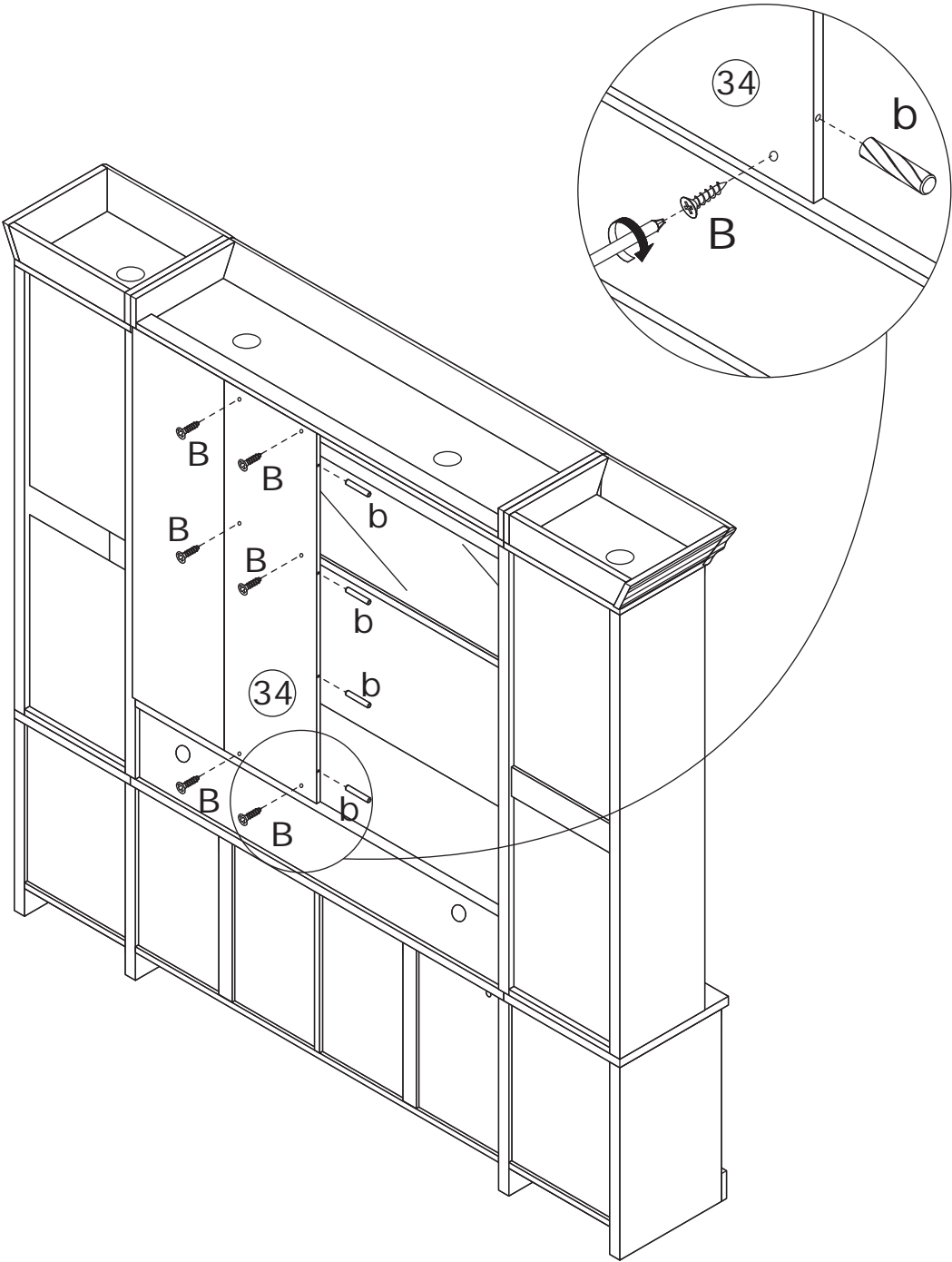


 **Installing plate 33 requires 2 people.**

42

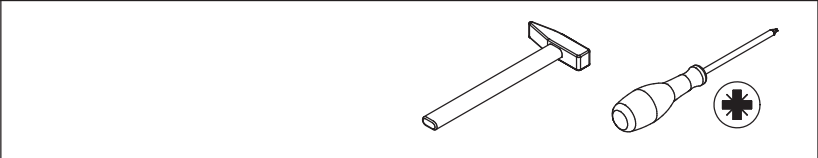
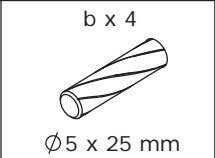
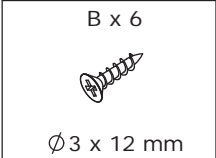


Connect plate 34 to plate 33, and secure it to the unit with screws (B), then insert dowel (b) onto as shown.

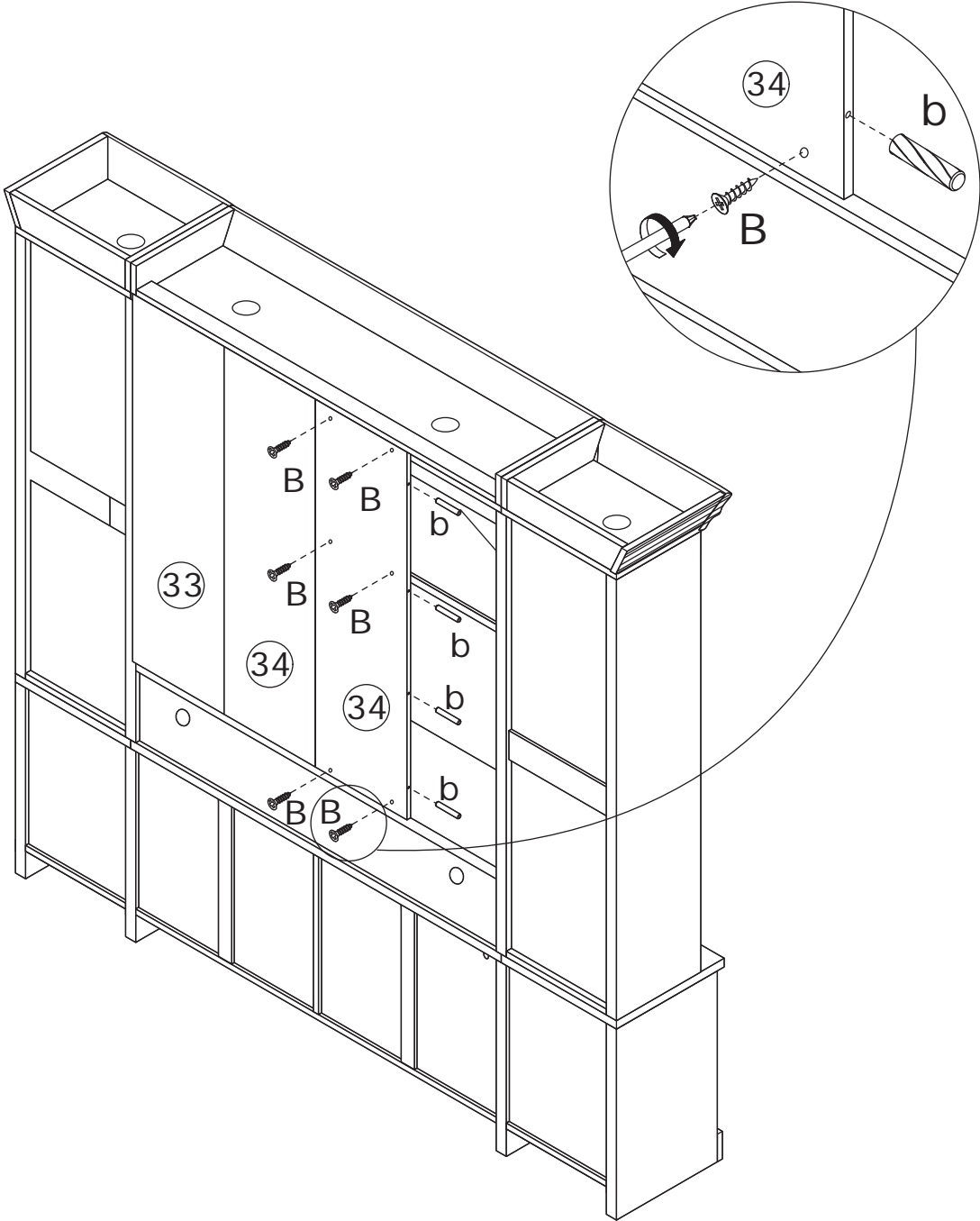
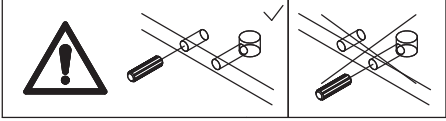


 **Installing plate 34 requires 2 people.**

43



Connect plate 34 to plate 34, and secure it to the unit with screws (B), then insert dowel (b) onto as shown.



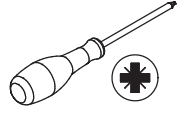
 **Installing plate 34 requires 2 people.**

44

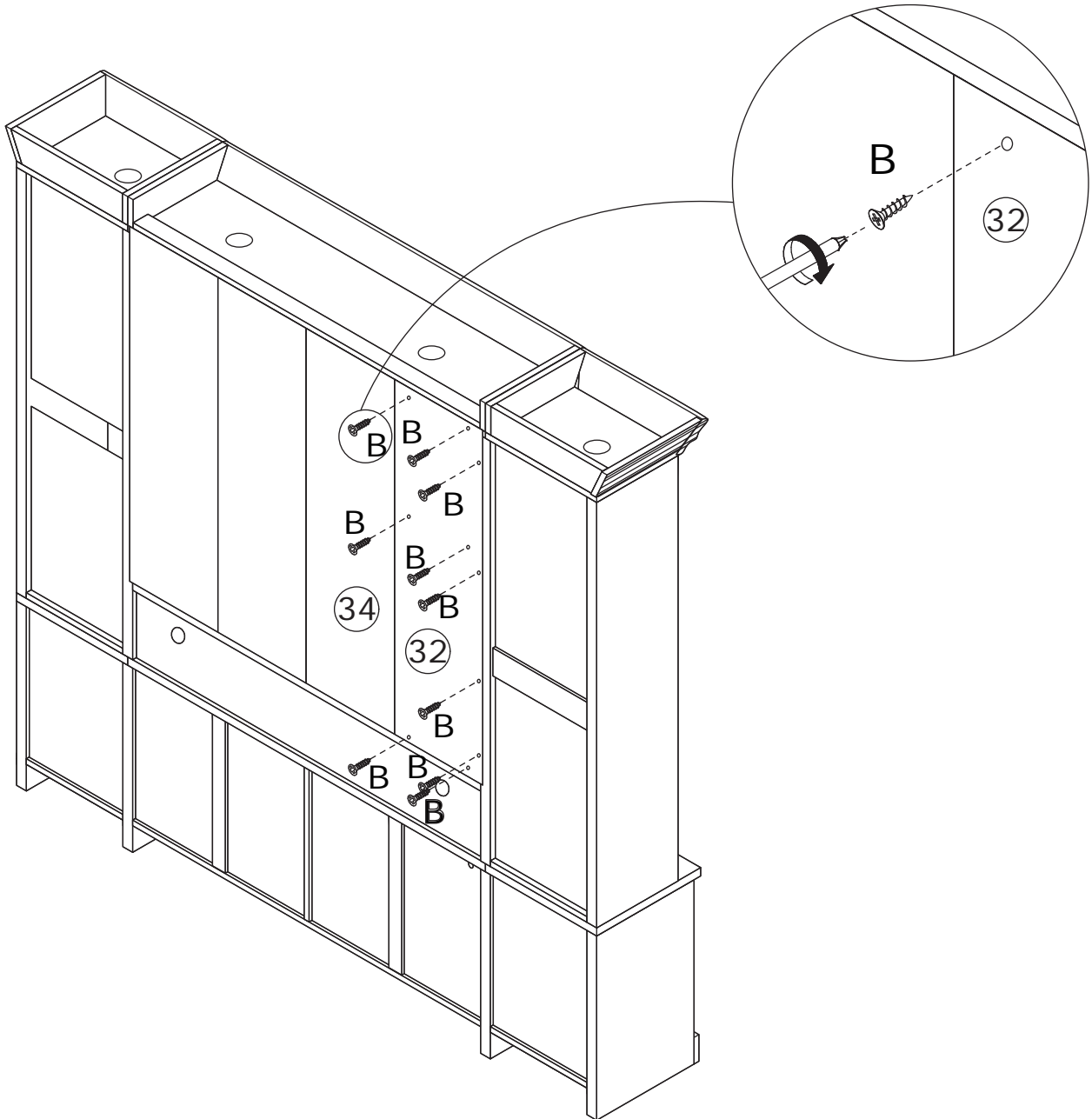
B x 10



Ø3 x 12 mm



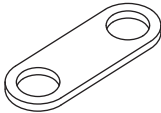

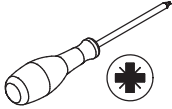
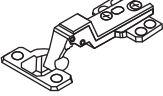
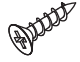


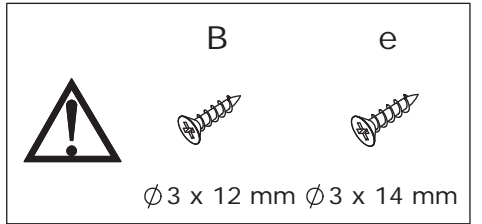
Connect plate 32 to plate 34, and secure it to the unit with screws (B) as shown.



**Installing plate 32 requires 2 people.**

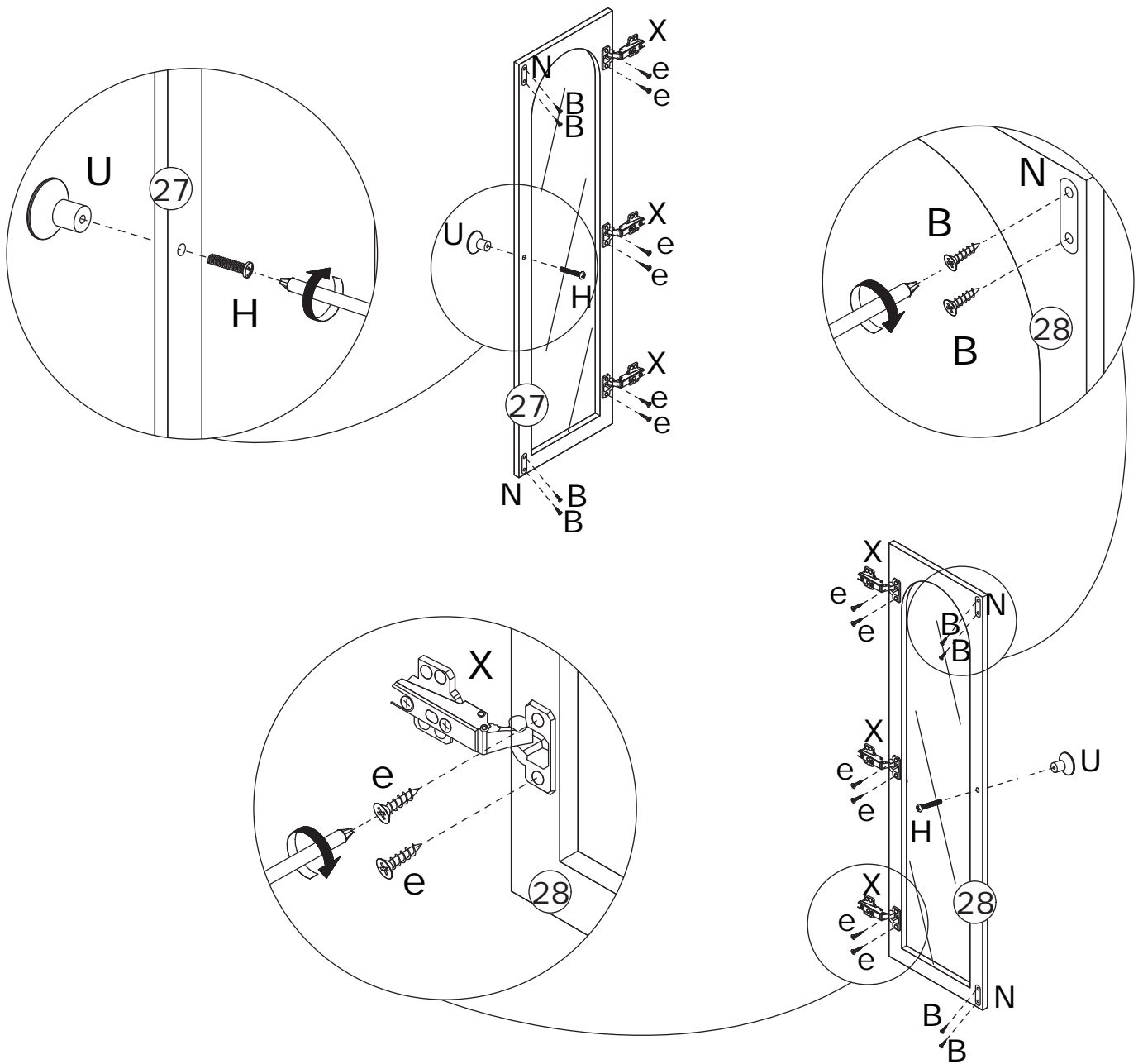
45

<p>B x 8</p>  <p>Ø3 x 12 mm</p>	<p>H x 2</p>  <p>Ø4 x 28 mm</p>	<p>N x 4</p> 	<p>U x 2</p> 	
<p>X x 6</p> 	<p>e x 12</p>  <p>Ø3 x 14 mm</p>			


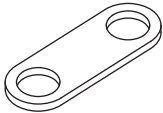

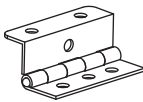
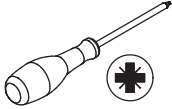
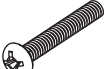



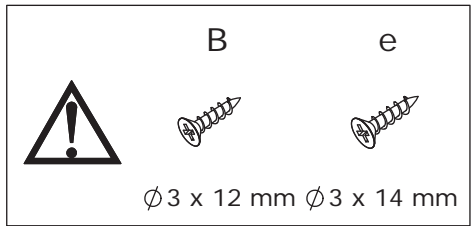
Secure fittings (N) to door plates 27 and 28 with screws (B), secure knobs (U) with screws (H) as shown.

Secure hinges (X) to door plates 27 and 28 with screws (e) as shown.



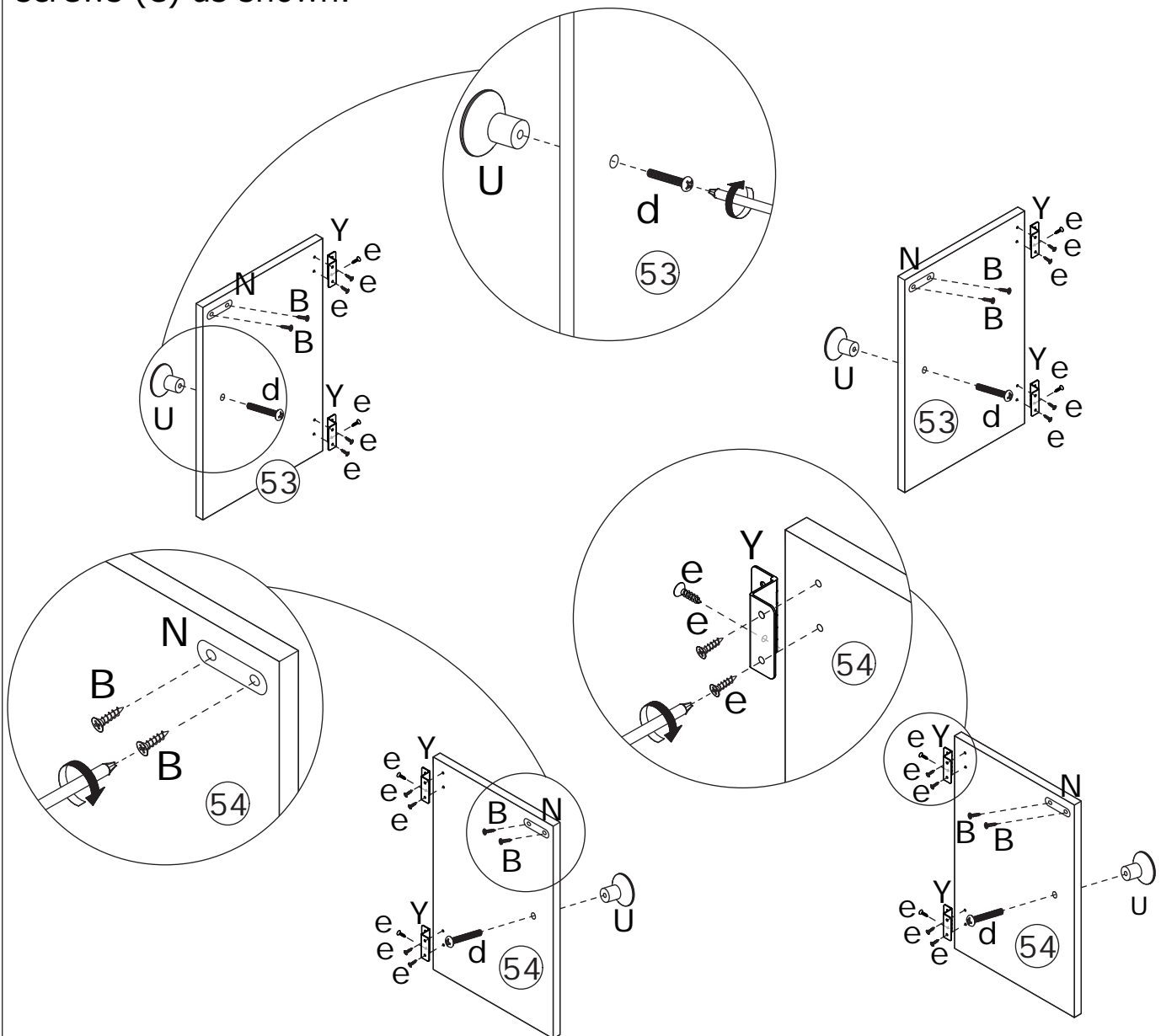
46

<p>B x 8</p>  <p>∅3 x 12 mm</p>	<p>N x 4</p> 	<p>U x 4</p> 	<p>Y x 8</p> 	
<p>d x 4</p>  <p>M4 x 22 mm</p>	<p>e x 24</p>  <p>∅3 x 14 mm</p>			



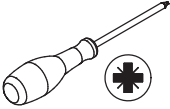
Secure fittings (N) to door plates 53 and 54 with screws (B), secure knobs (U) with screws (d) as shown.

Secure hinges (Y) to door plates 53 and 54 with screws (e) as shown.

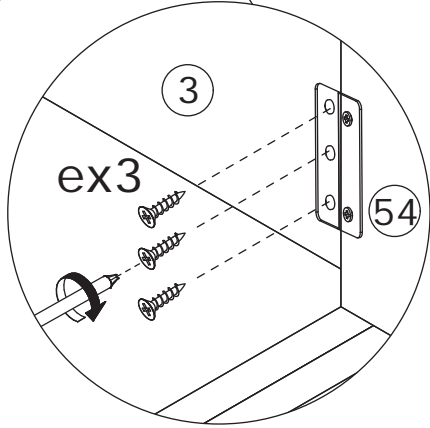
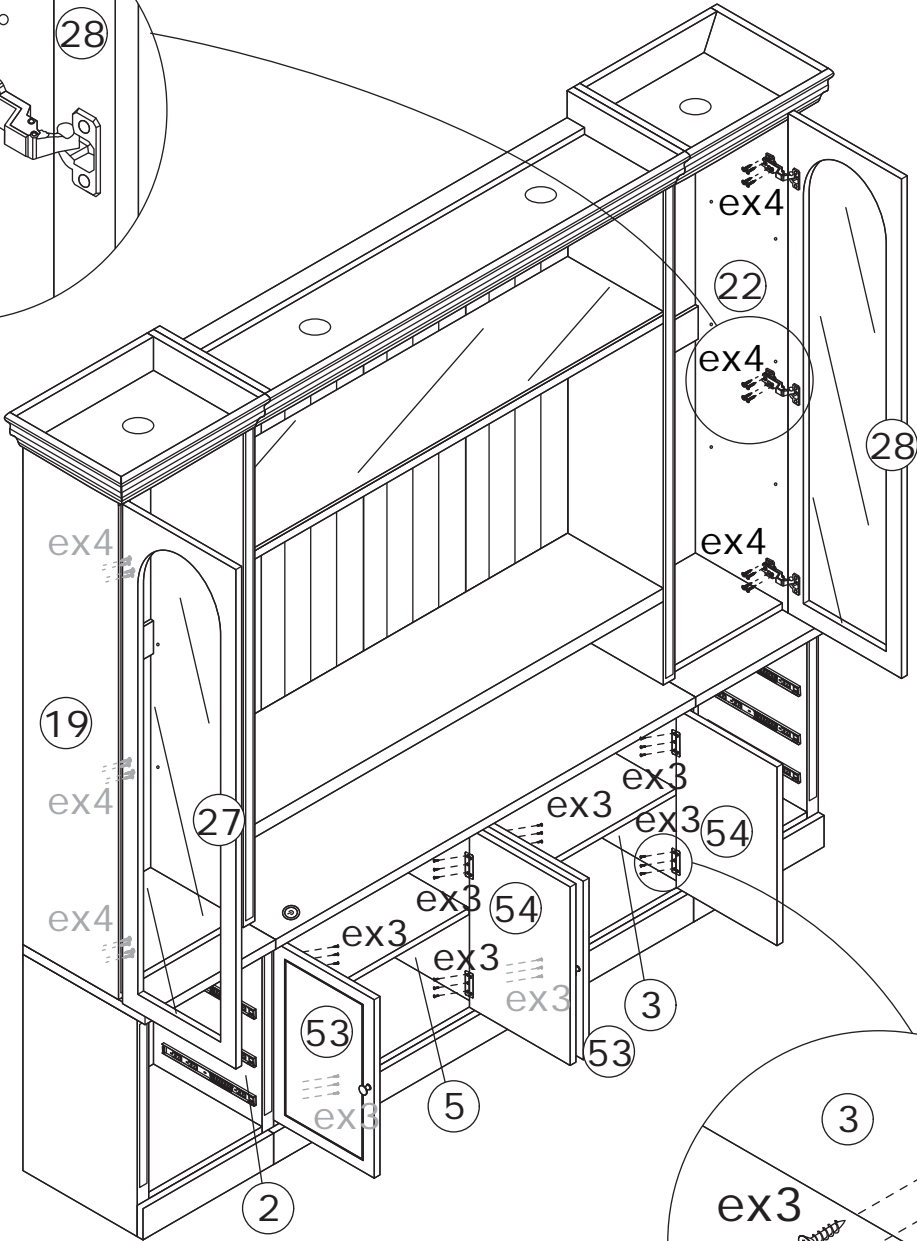
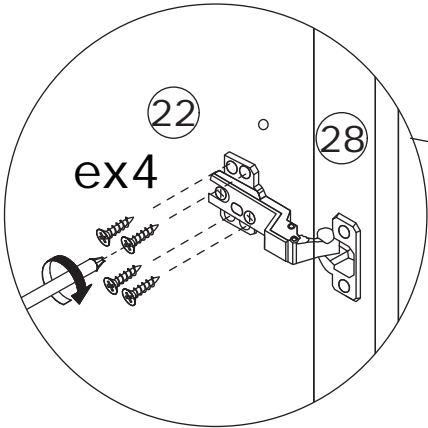


47

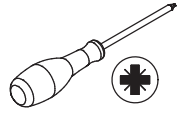
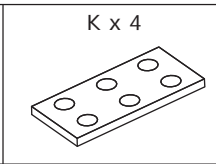
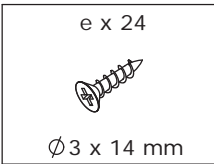
e x 48  
Ø3 x 14 mm



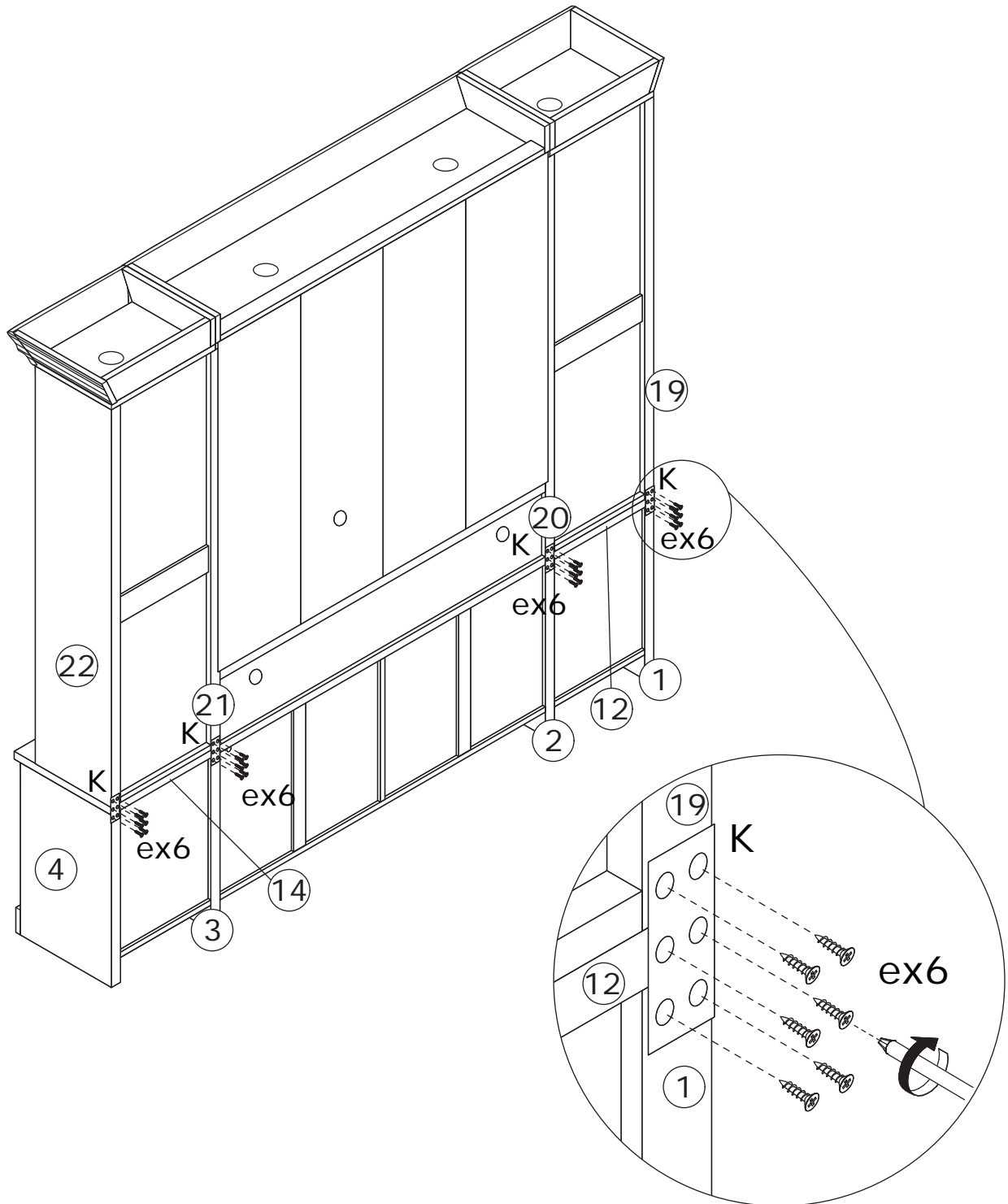
Attach doors 27, 28, 53, 54 to the unit with screws (e) as shown.



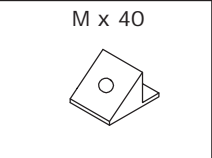
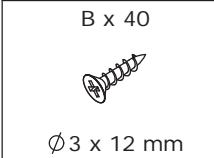
48



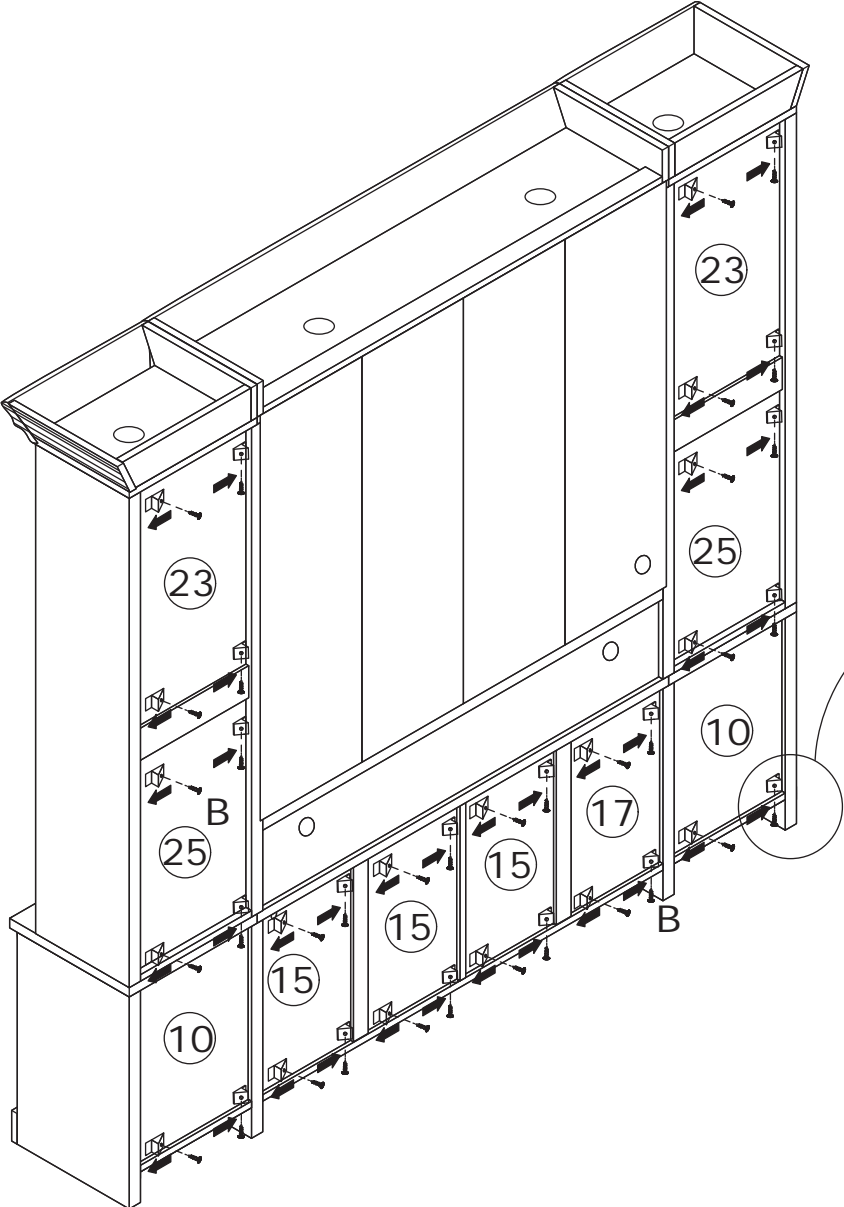
Attach fittings (K) to back of the unit with screws (e) as shown.



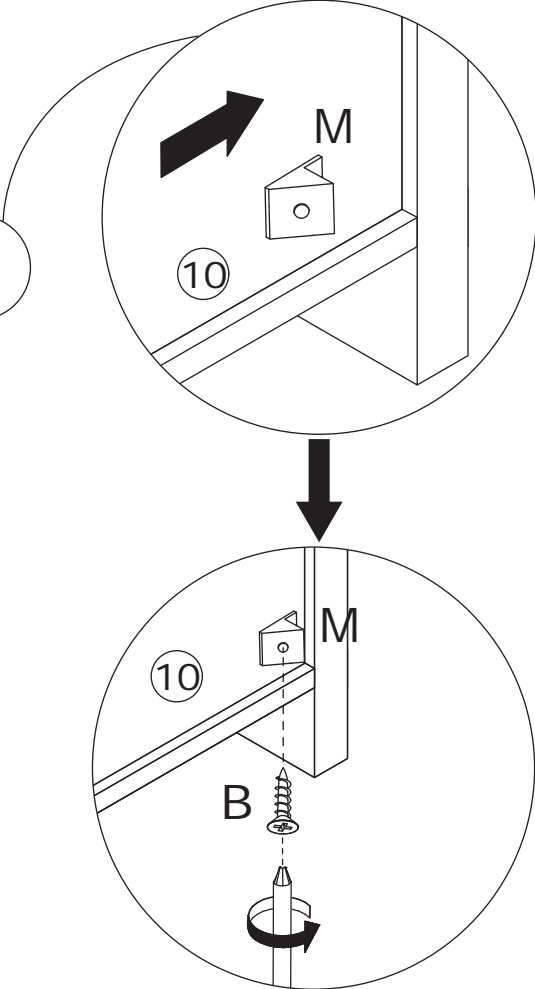
49



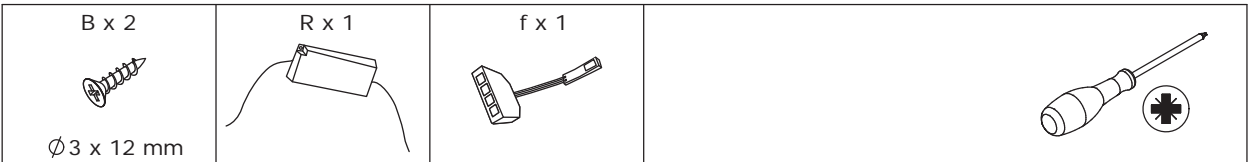
Insert buckle (M) into back slots and secure with screws (B) as shown.



Bx40  
Mx40

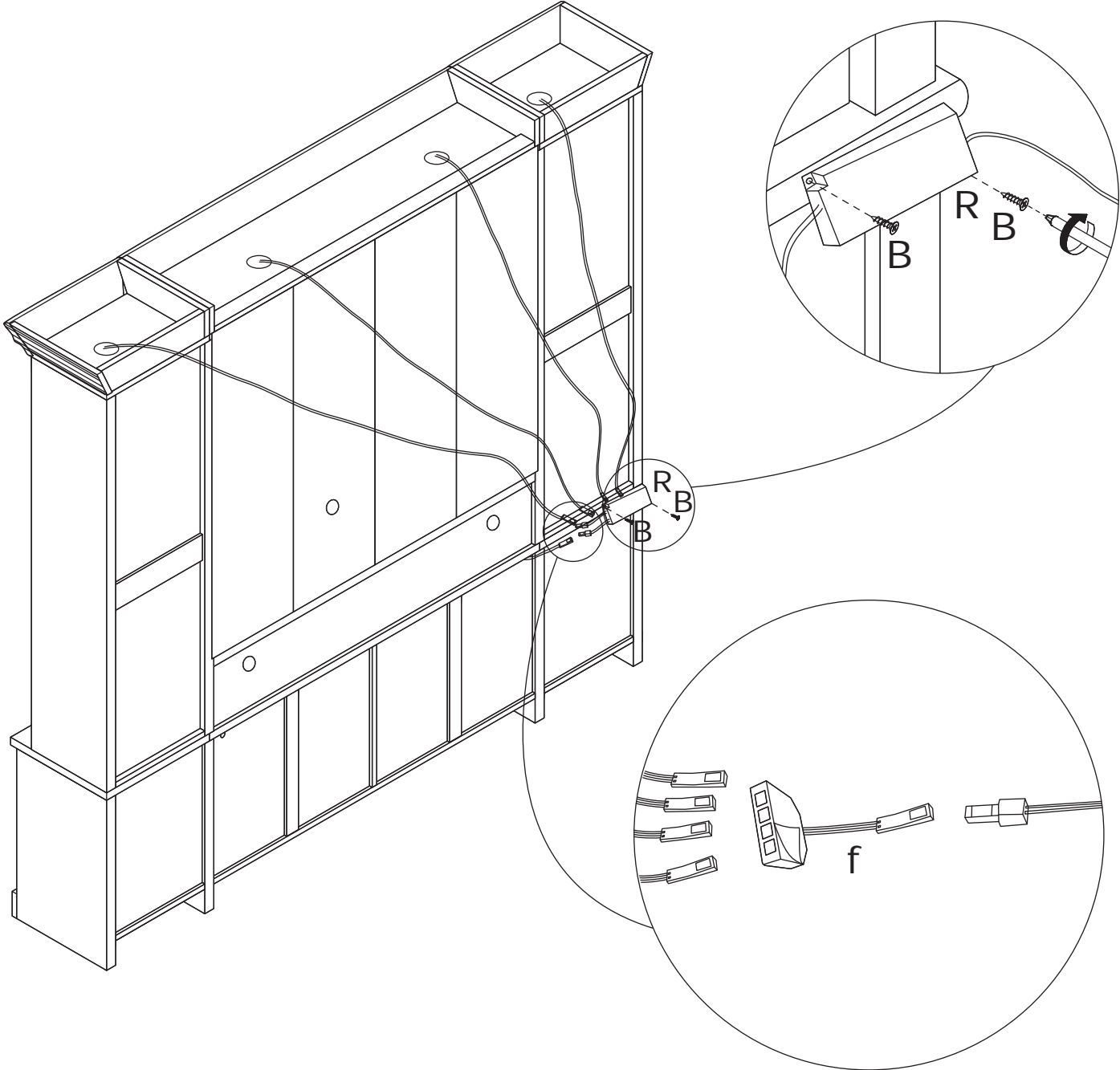



50



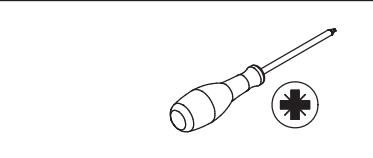
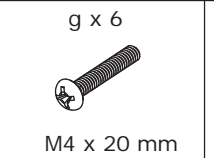
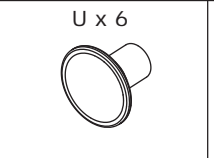
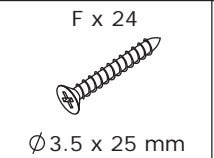
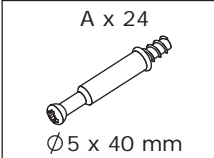
Secure box (R) to the unit with the screws (B) first.

The splitter box (f) needs to be attached to the unit after removing the self-adhesive protective film, and the wires connecting the spotlights are inserted into the splitter box (f) as shown.



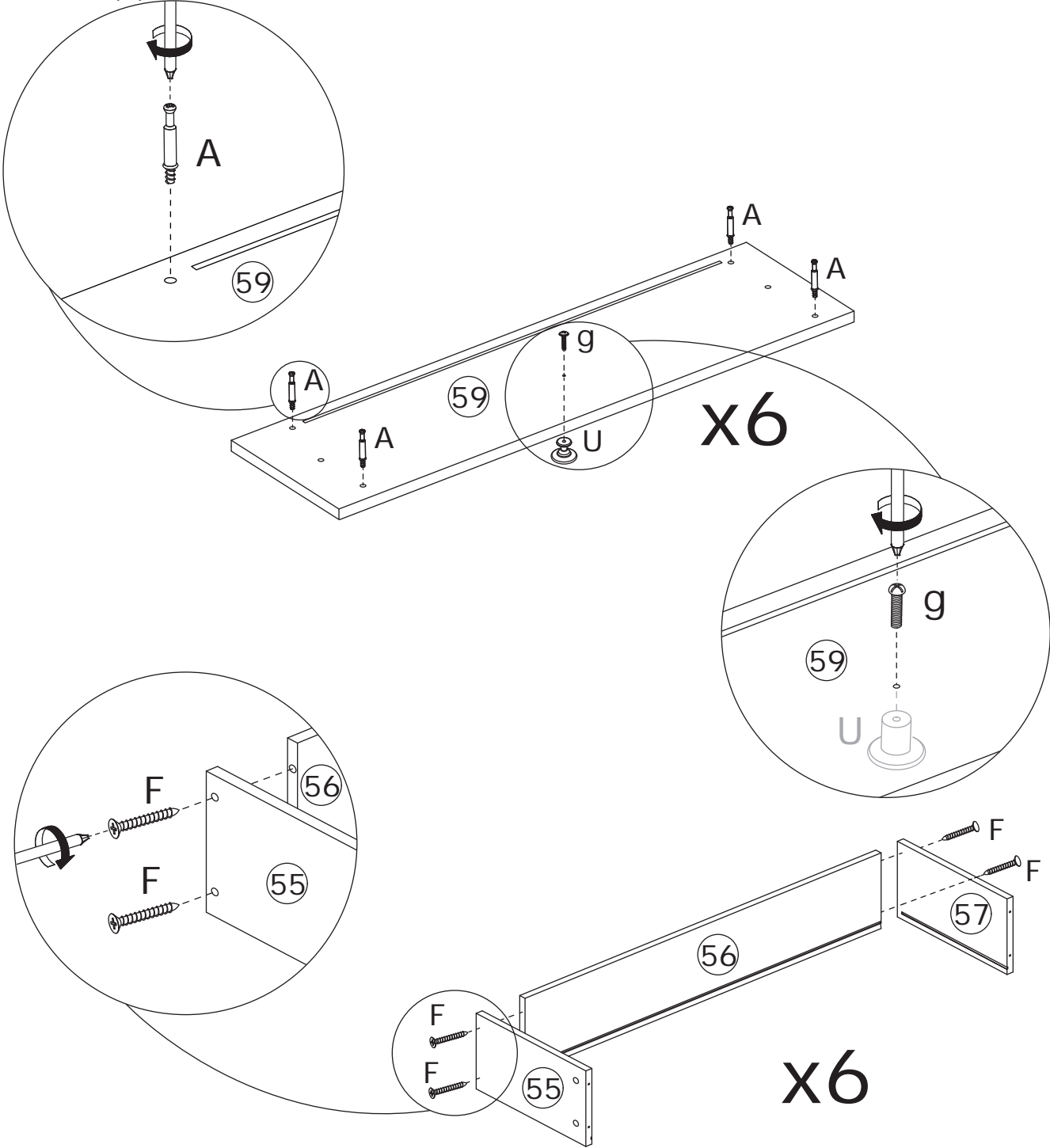
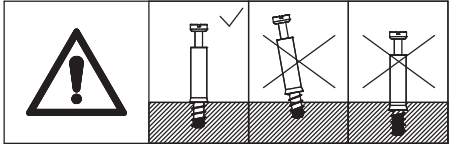
 **A manual screwdriver is recommended for mounting the box(R).**

51

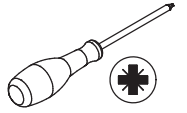
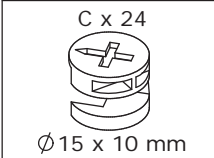


Install screw (A) onto plate 59, secure knob (U) with screws (g).

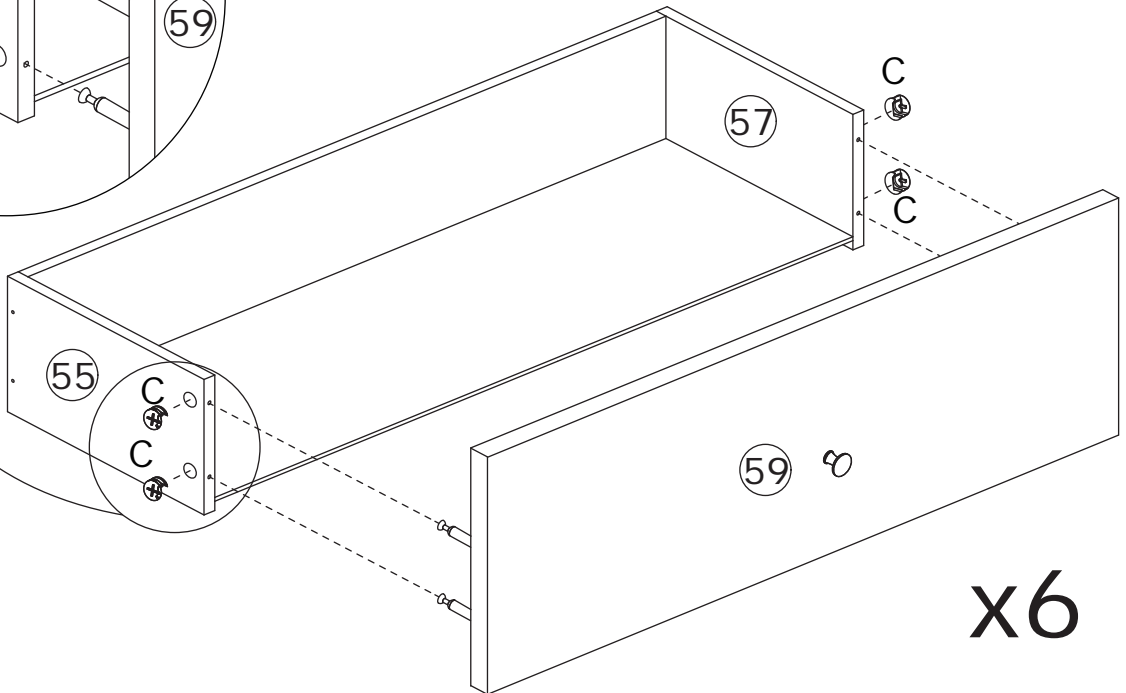
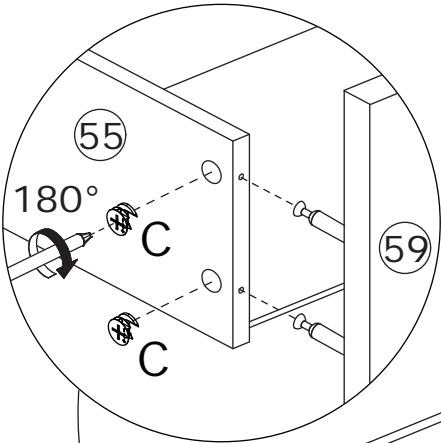
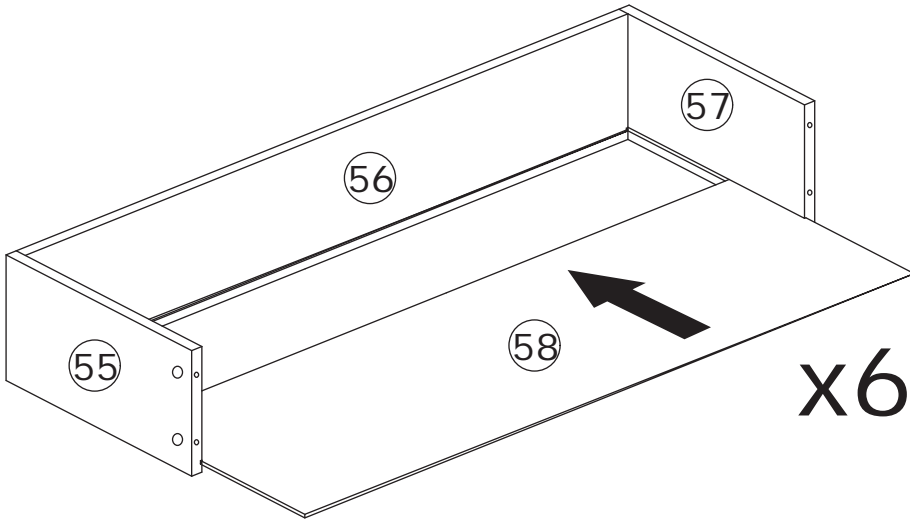
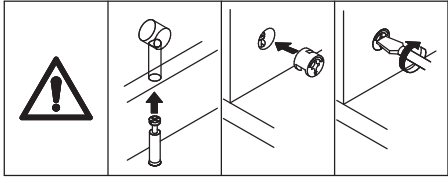
Secure plates 55 and 57 to plate 59 with screws (F) as shown.



52



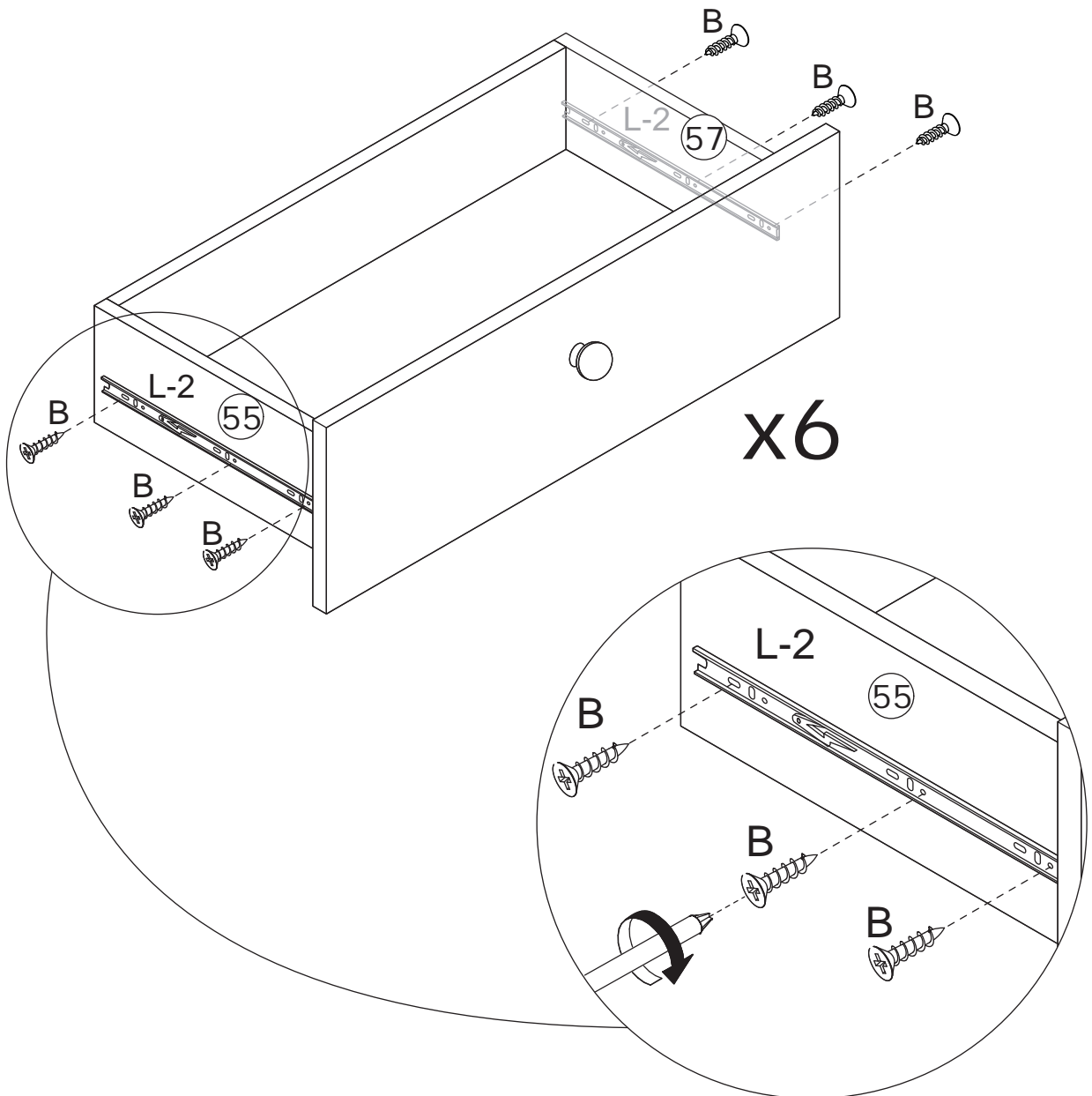
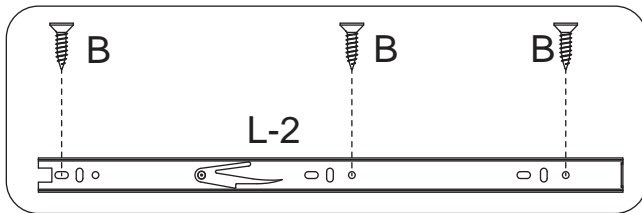
Slide plate 58 along the grooves and connect plate 59 to plates 55, 57, tighten by turning eccentric wheel (C) clockwise as shown.



53

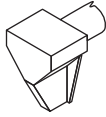


Attach slide (L-2) to plates 55 and 57 with screws (B) as shown.



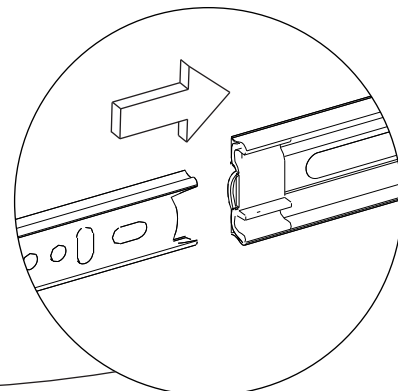
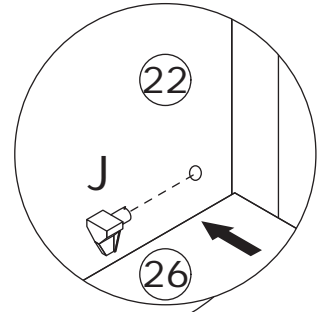
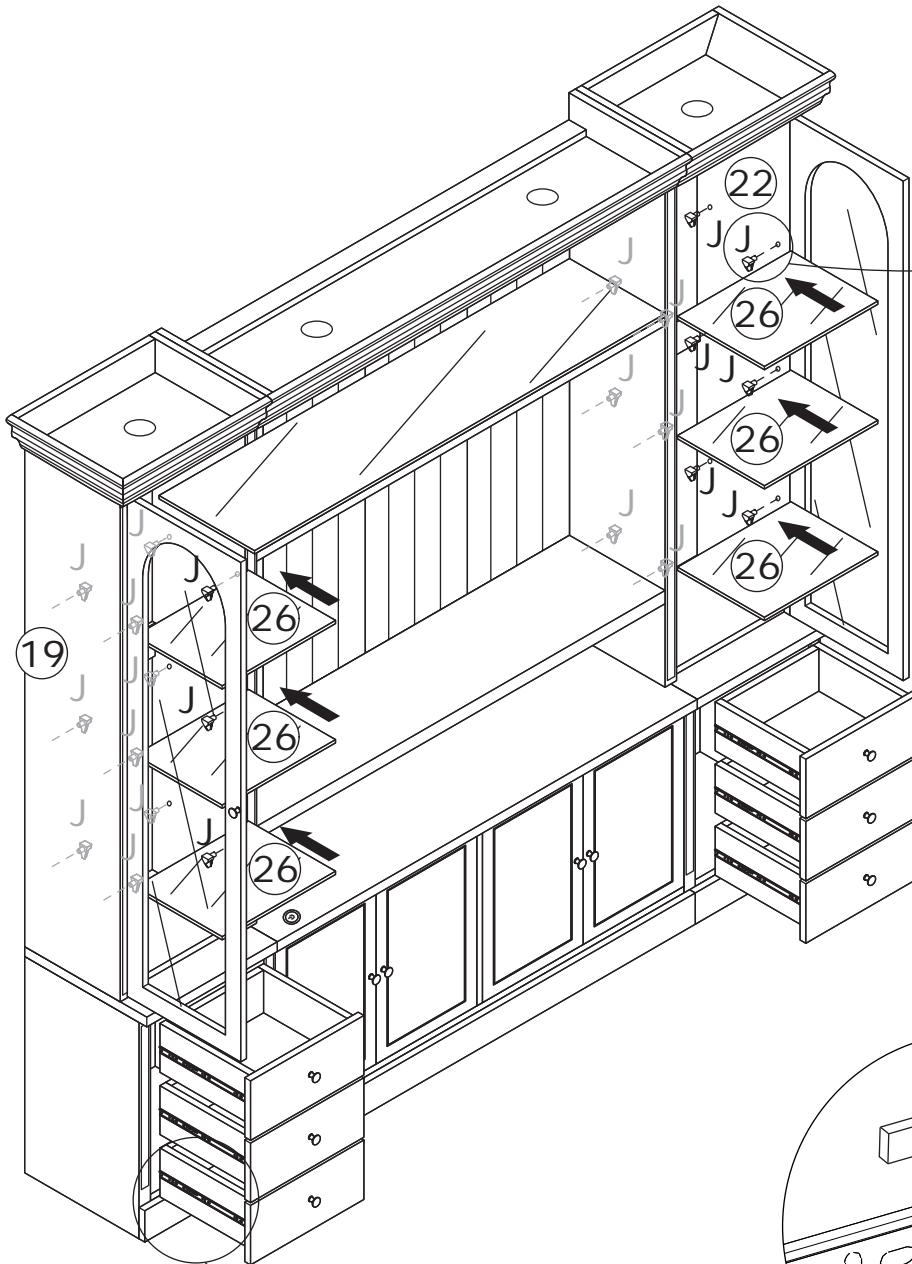
54

J x 24

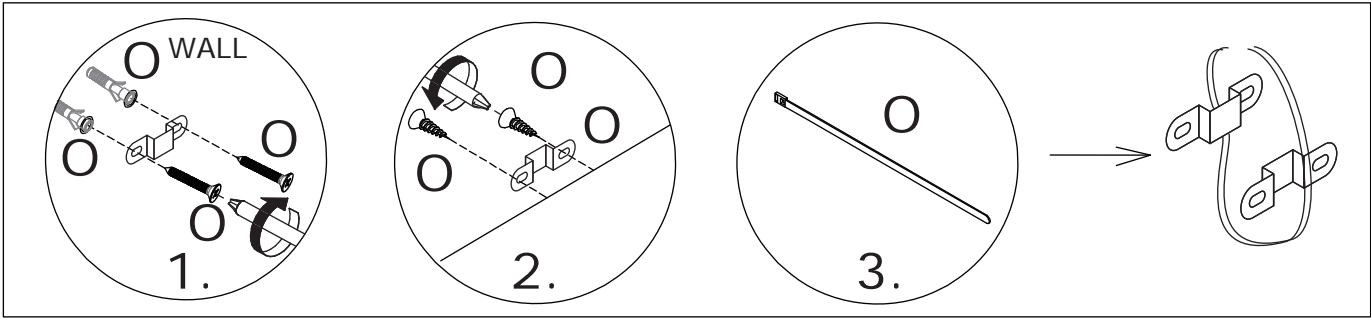
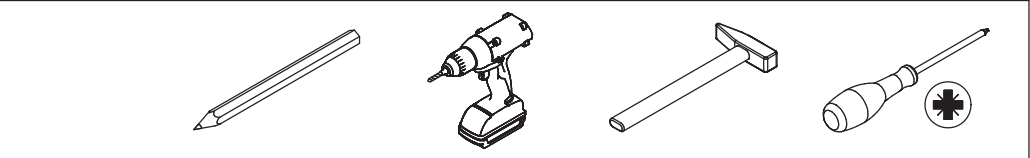
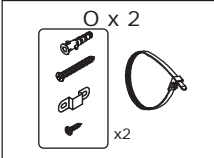


Install layer pins (J) into plates 19, 20, 21, 22 and place glass laminate 26 onto as shown.

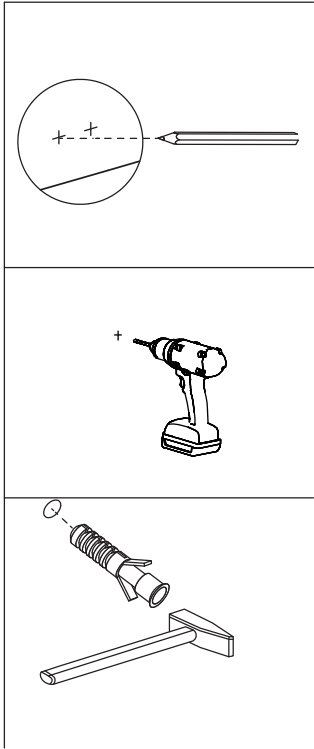
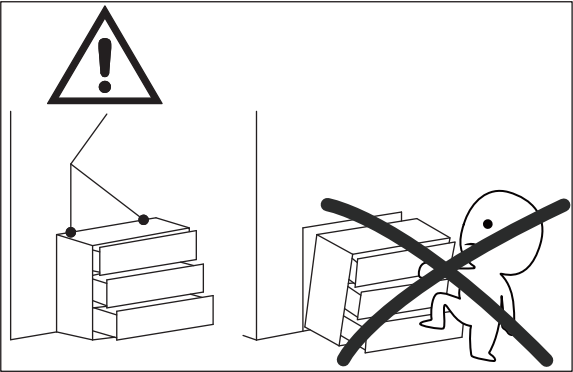
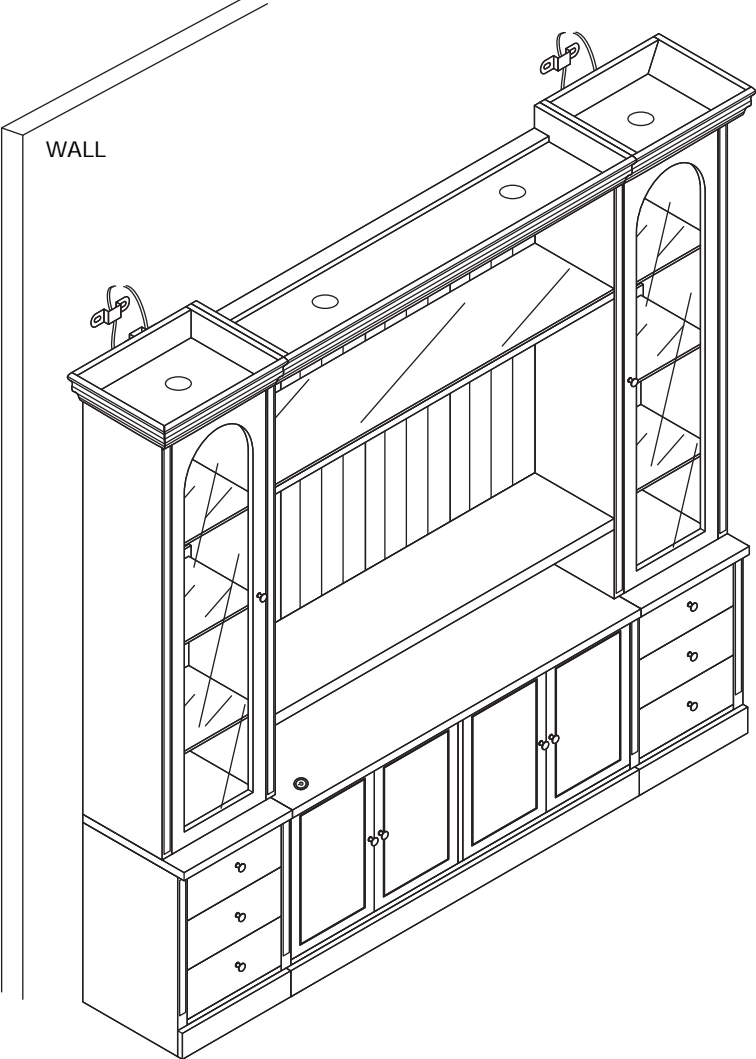
**Pull out the slide rails (L-1), align and connect to slide rails (L-2), and then slide the drawers into the unit.**



55



Install the anti-tipping device as shown.



# WARRANTY

## WARRANTY CLAIMS

- There is a 30-day warranty for broken furniture or any other problems that do not work properly. The warranty will start from the date of purchase which must be verified by proof of purchase.
- Before making a claim, we may be able to answer your query, simply call us. Please leave your purchase order number, along with some details of the problem, if you want a replacement part. We will arrange within 48 hours. If there is out of stock, we will reply with a shipping date.
- The product must be used in accordance with the instructions provided. For health reasons.
- For other reasons, if the furniture needs to be returned, it must be cleaned and dried and operated within 30 days of receipt.

## Type of Warranty Claim

- Failure to follow the furniture instructions will invalidate the warranty. Attention please.
- Does not include damage during installation, but includes damage during transportation.

## Scope of responsibility

- Shall not bear any responsibility for misuse or user damage and / or loss of parts during the installation of furniture.
- After using, the damage and scratches of the furniture are not covered by the warranty.

## The Warranty Relates to All Bought in The Us and Covers The Following Areas

- Sheet parts: 1 month from the date of purchase.
- Electrical parts: 1 month from the date of purchase.

# RETURNS

## CHANGED YOUR MIND AND NEED TO RETURN YOU ITEM?

### PLEASE FOLLOW THE BELOW INSTRUCTIONS:

- If you have purchased and have simply changed your mind, follow the retailer's instructions for returns.

### DEFECTIVE ITEMS

- If your item is defective in any way, i.e. it doesn't work but you can't identify why, in the first instance, please call us.

### DAMAGED ITEMS

- If you receive an order with obvious shipping damage from the retailer, then we suggest the delivery is refused. If the delivery has been accepted and then shipping damage is found, please follow the specific instructions advised by the retailer.  
In all circumstances please save all packaging material and paperwork for the order. Please be aware that if you dispose of packaging material or attempt to return the merchandise without contacting the fulfiller, you jeopardise your chances of making a claim, and you may not receive a credit for the return.