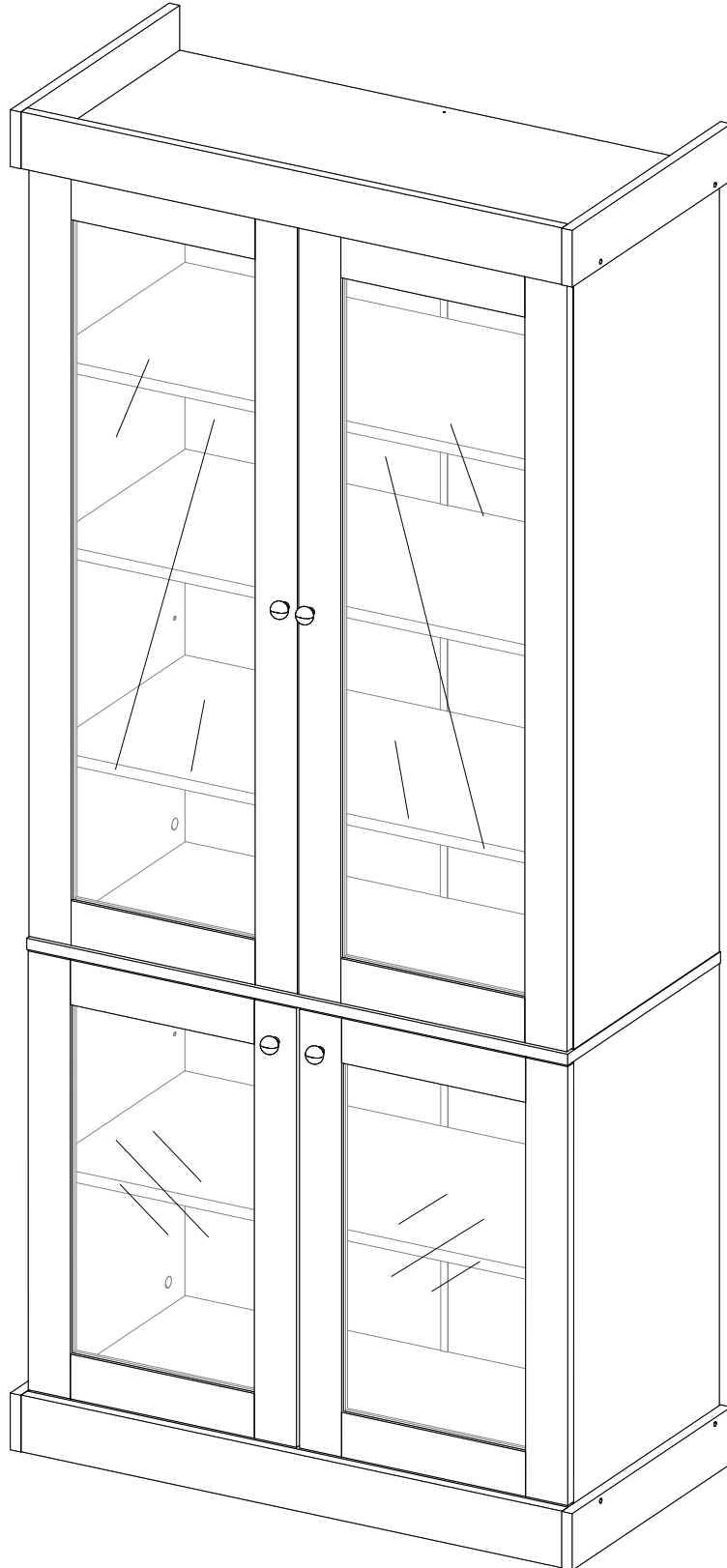


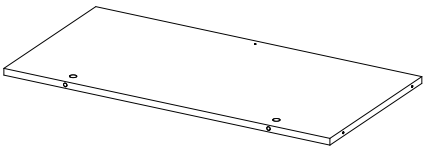

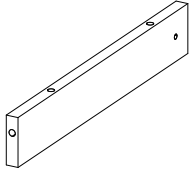
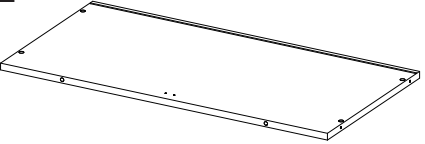
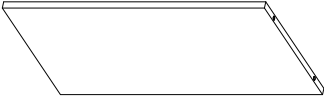
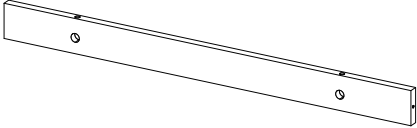
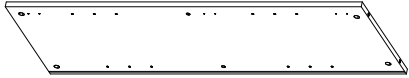
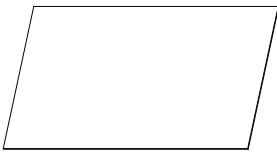
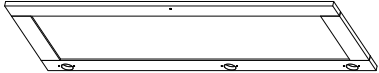
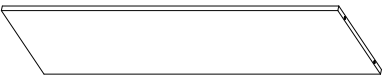
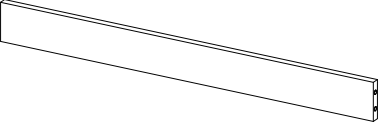
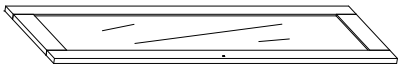

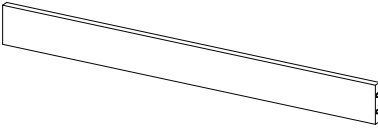

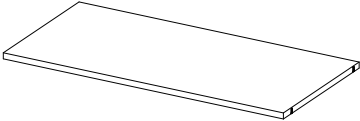
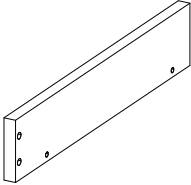
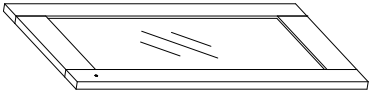
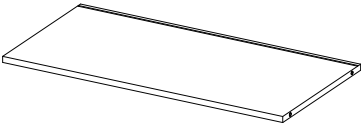
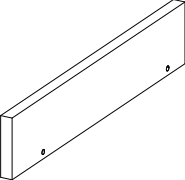
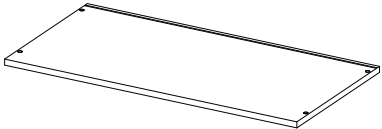
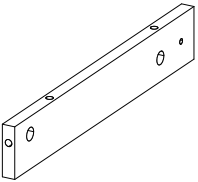
Assembly Instruction

Decorate your home, Brighten wonderful life



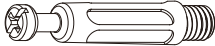
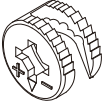
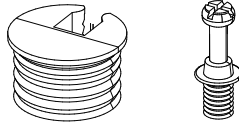

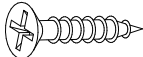

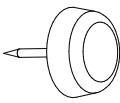
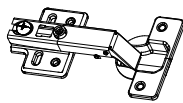

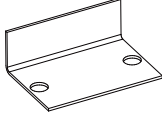



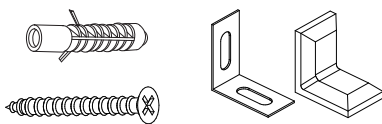
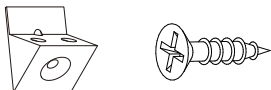
PARTS LIST

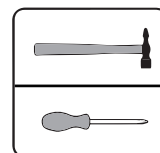
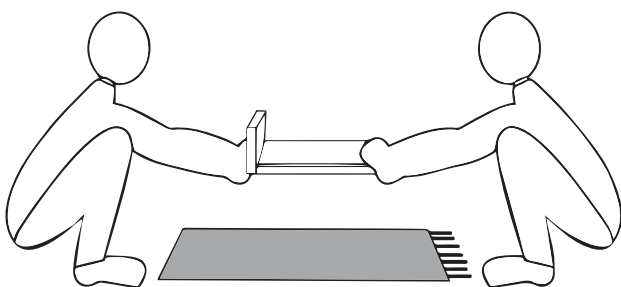
Unit: (mm)

<p>1 x1 PC</p> 	<p>9 x1 PC</p> 	<p>17 x1 PC</p> 
<p>2 x1 PC</p> 	<p>10 x1 PC</p> 	<p>18 x1 PC</p> 
<p>3 x1 PC</p> 	<p>11 x2 PC</p> 	<p>19 x1 PC</p> 
<p>4 x1 PC</p> 	<p>12 x1 PC</p> 	<p>20 x1 PC</p> 
<p>5 x4 PC</p> 	<p>13 x1 PC</p> 	<p>21 x1 PC</p> 
<p>6 x3 PC</p> 	<p>14 x2 PC</p> 	<p>22 x1 PC</p> 
<p>7 x1 PC</p> 	<p>15 x2 PC</p> 	
<p>8 x1 PC</p> 	<p>16 x1 PC</p> 	

ACCESSORIES LIST

Unit: (mm)

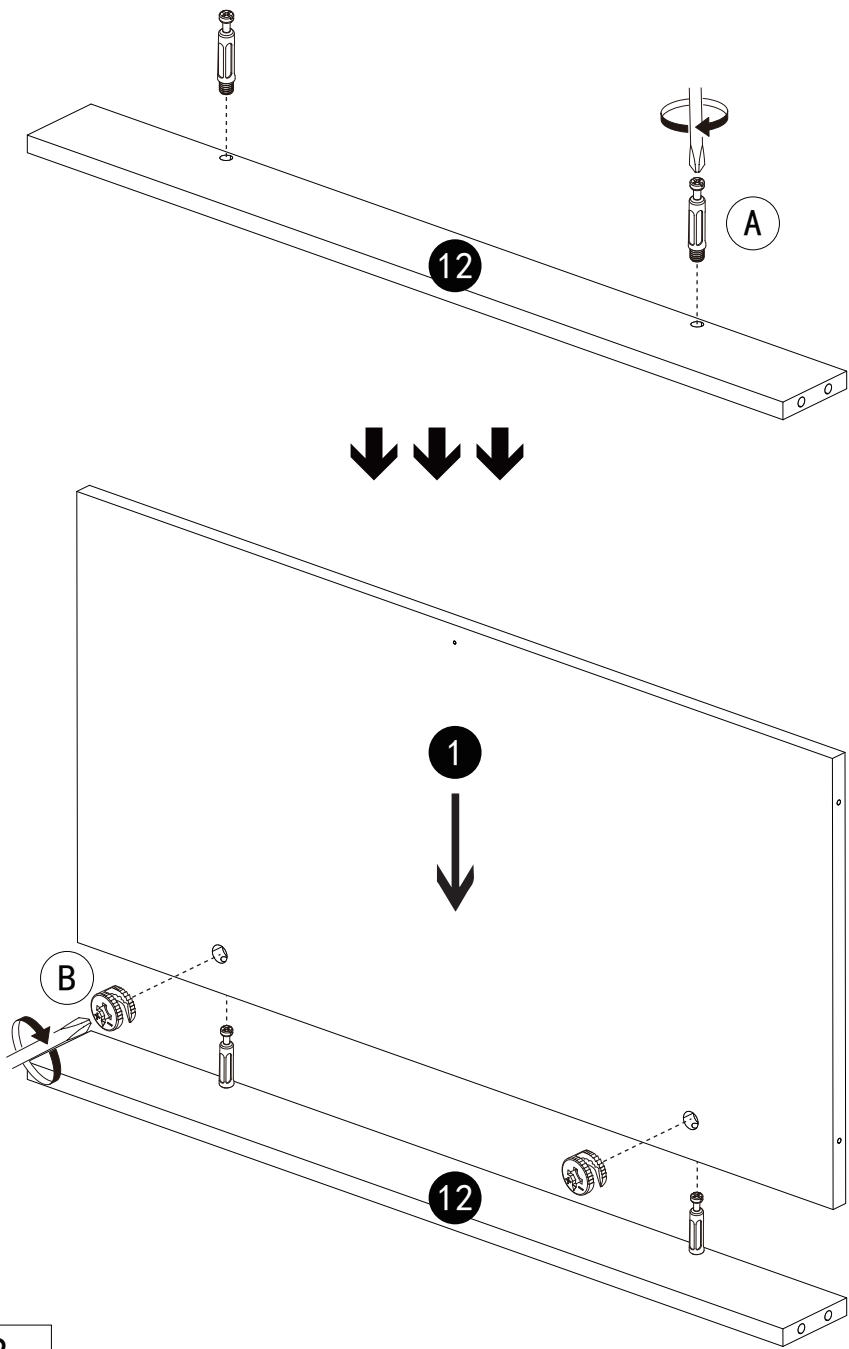
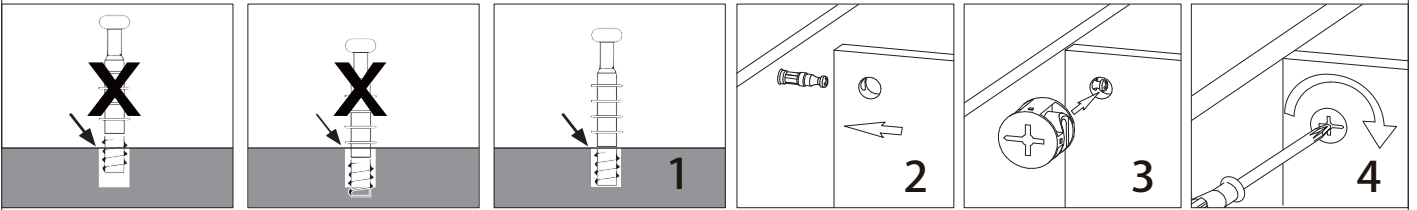
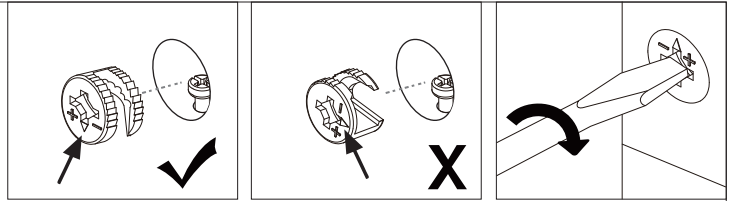
<p>A 6x40 x32 PC</p> 	<p>B 15x11 x32 PC</p> 	<p>C 21x12 x12 PC</p> 
<p>D 8x40 x8 PC</p> 	<p>E M3.5x14 x65 PC</p> 	<p>F M5x40/#3 x10 PC/x1 PC</p> 
<p>G Ø12x5 x12 PC</p> 	<p>H Hinge x10 PC</p> 	<p>J M4x18 x4 PC</p> 
<p>K 27x15 x2 PC</p> 	<p>L 21mm x20 PC</p> 	<p>M 511mm x2 PC</p> 
<p>N 593mm x1 PC</p> 	<p>O M4x50/8x40 x1 PC</p> 	<p>P M3x14 x24 PC</p> 





INSTALLATION INSTRUCTION

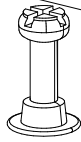
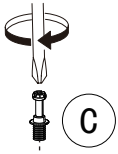
STEP 1

Installation method of three in one rod and buckle

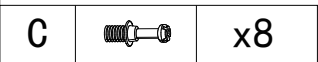
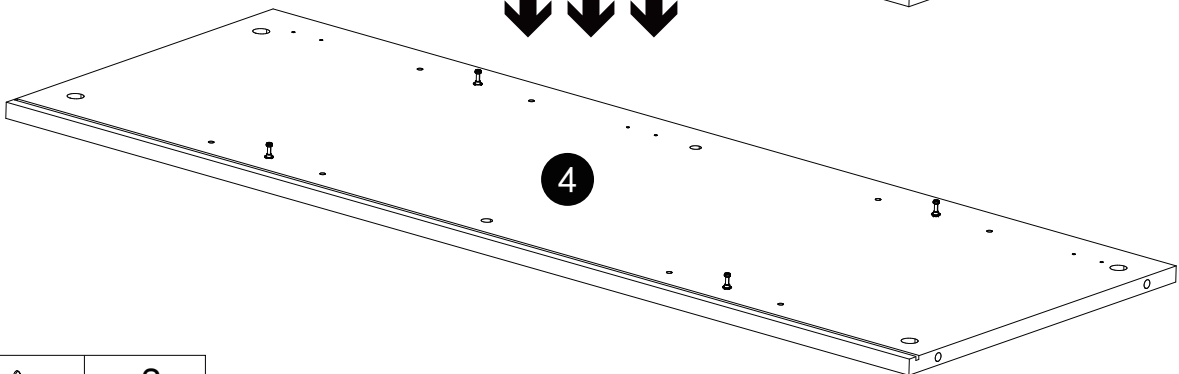
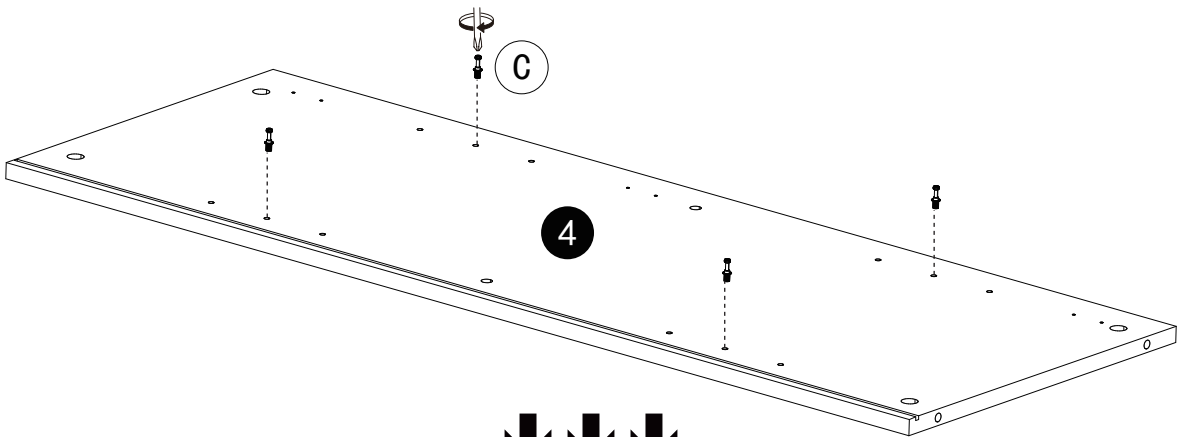
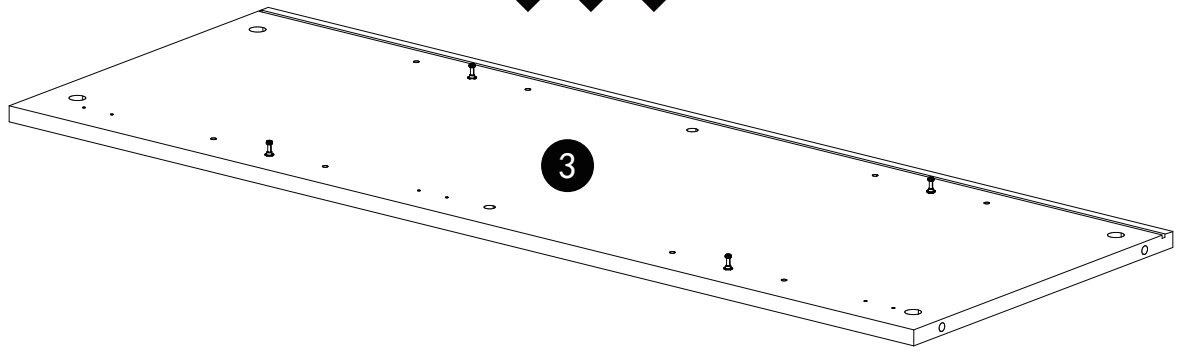
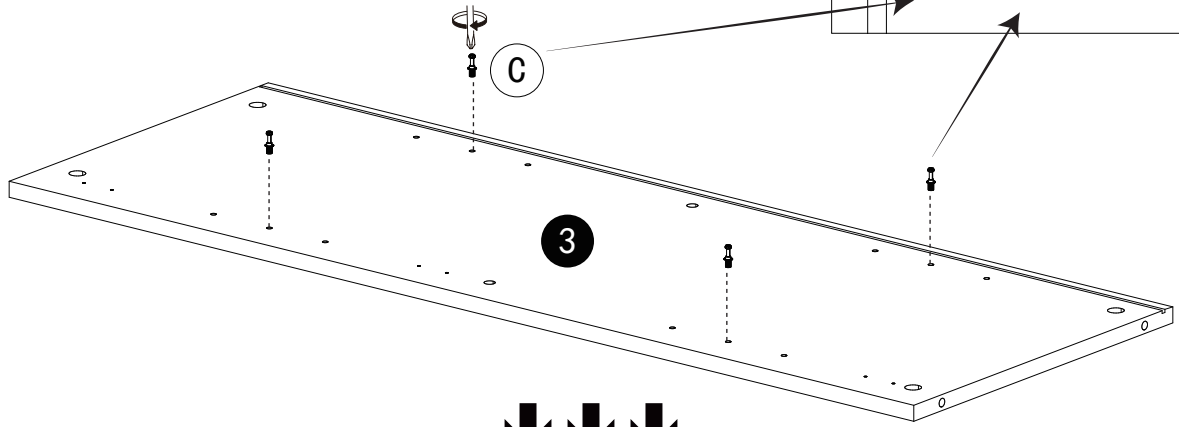


A		x2
B		x2

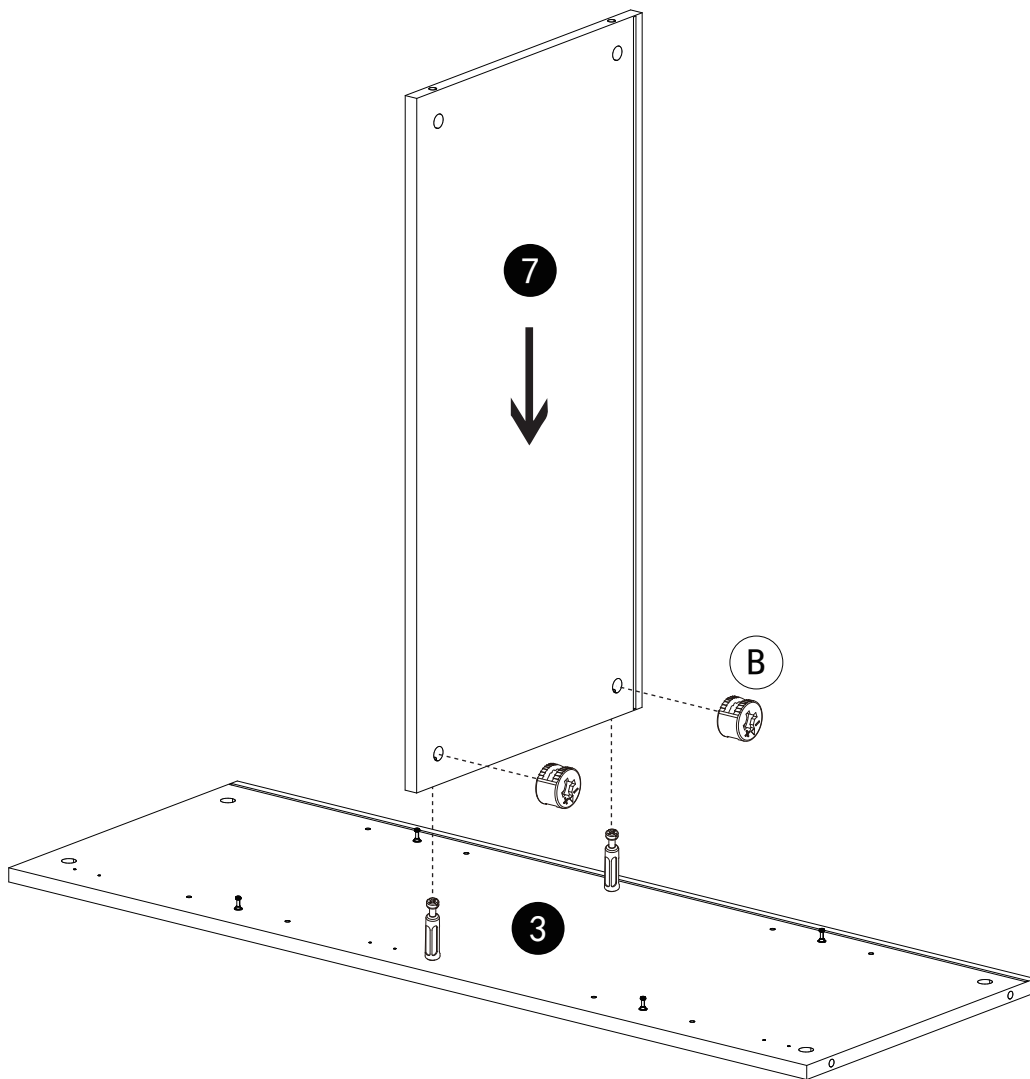
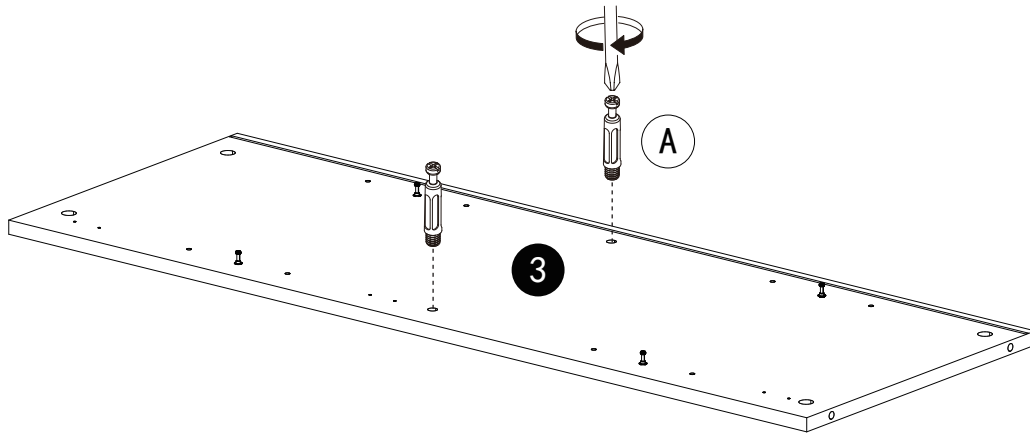
STEP 2





Height-adjustable

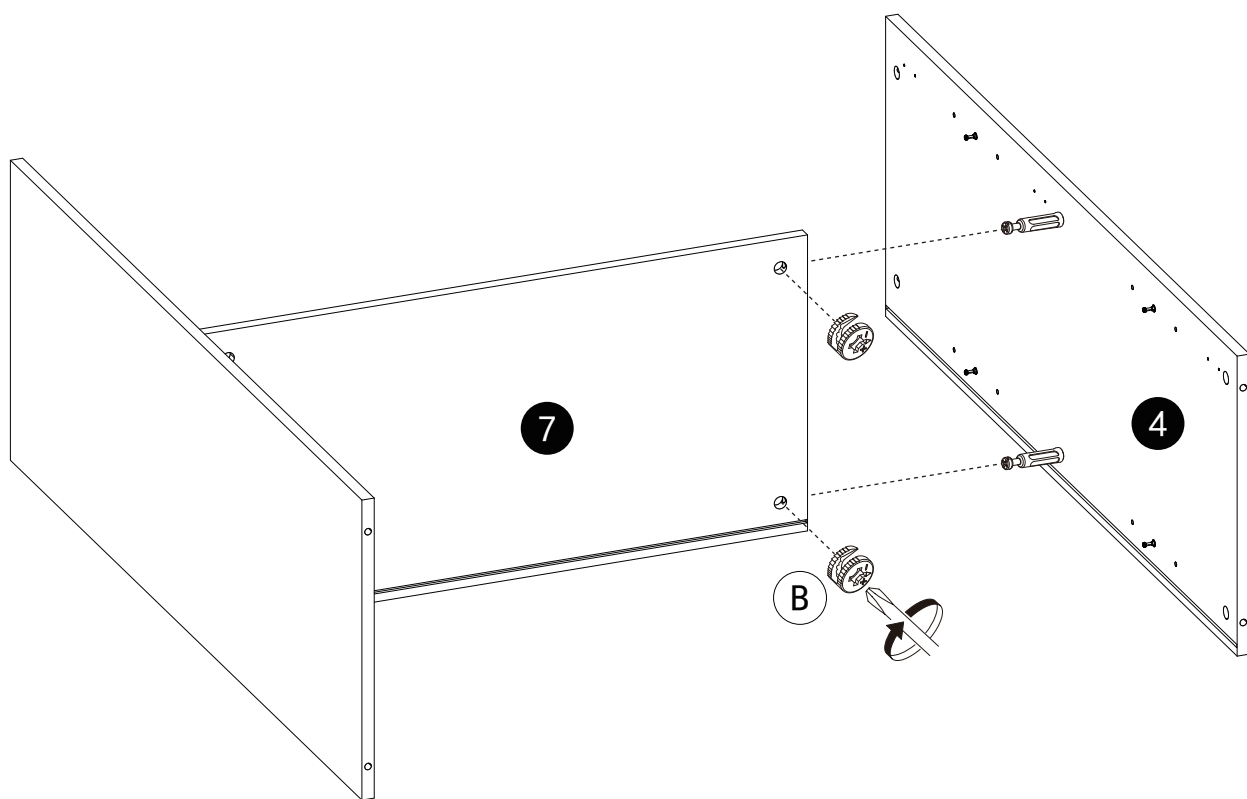
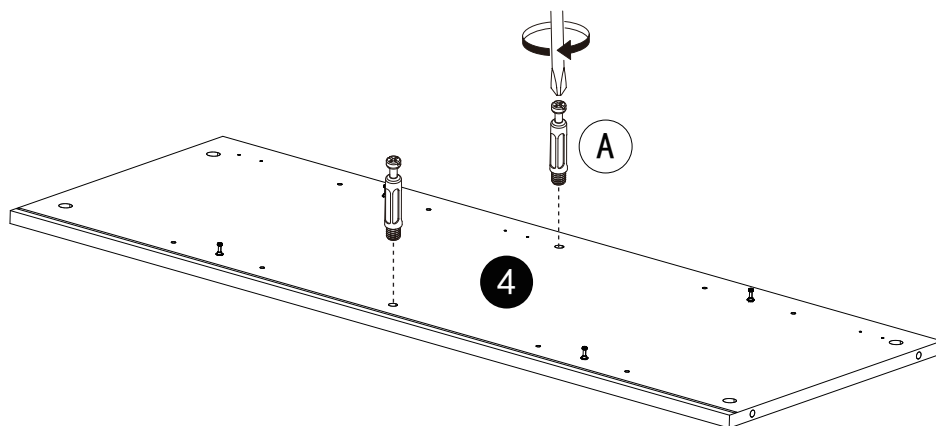


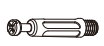

STEP 3



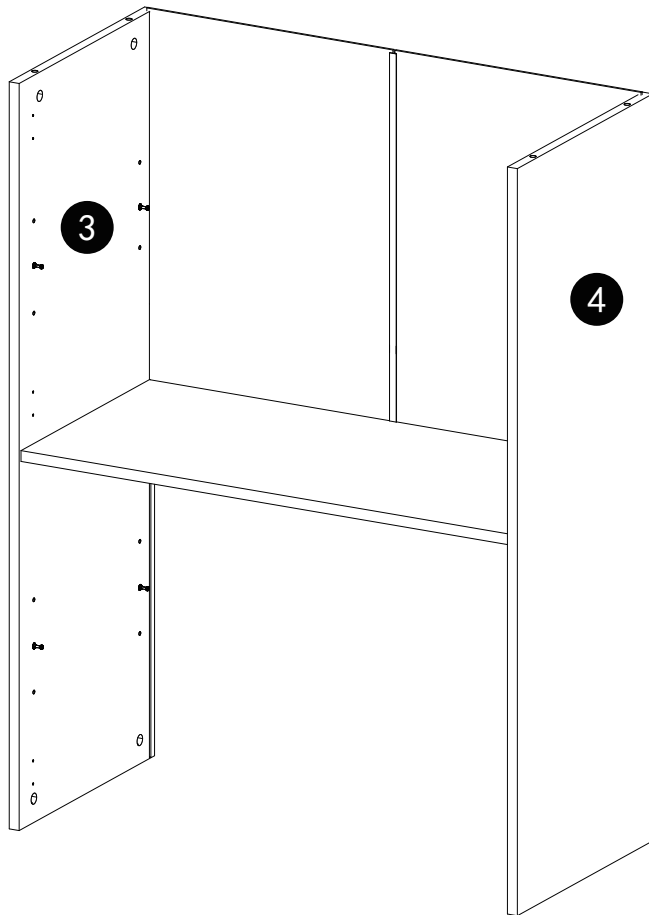
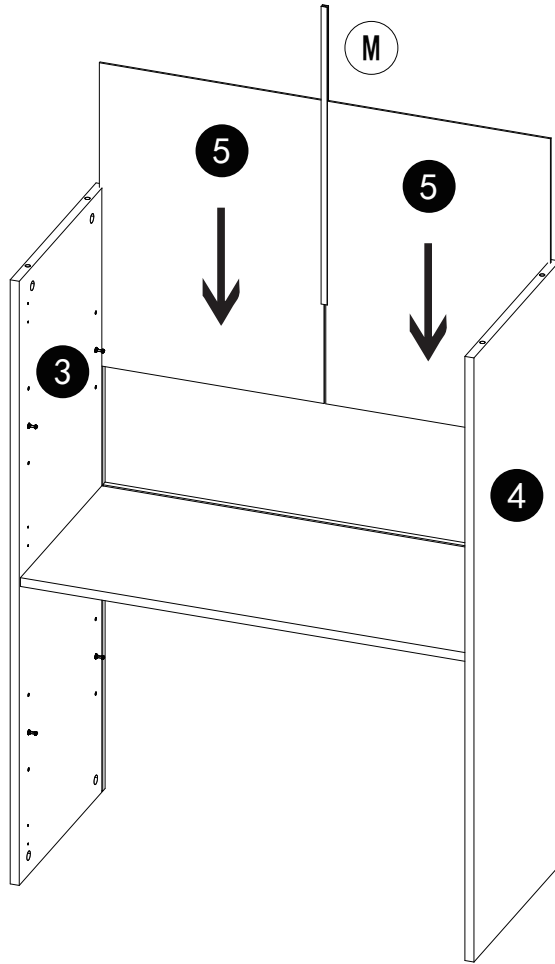
A		x2
B		x2

STEP 4



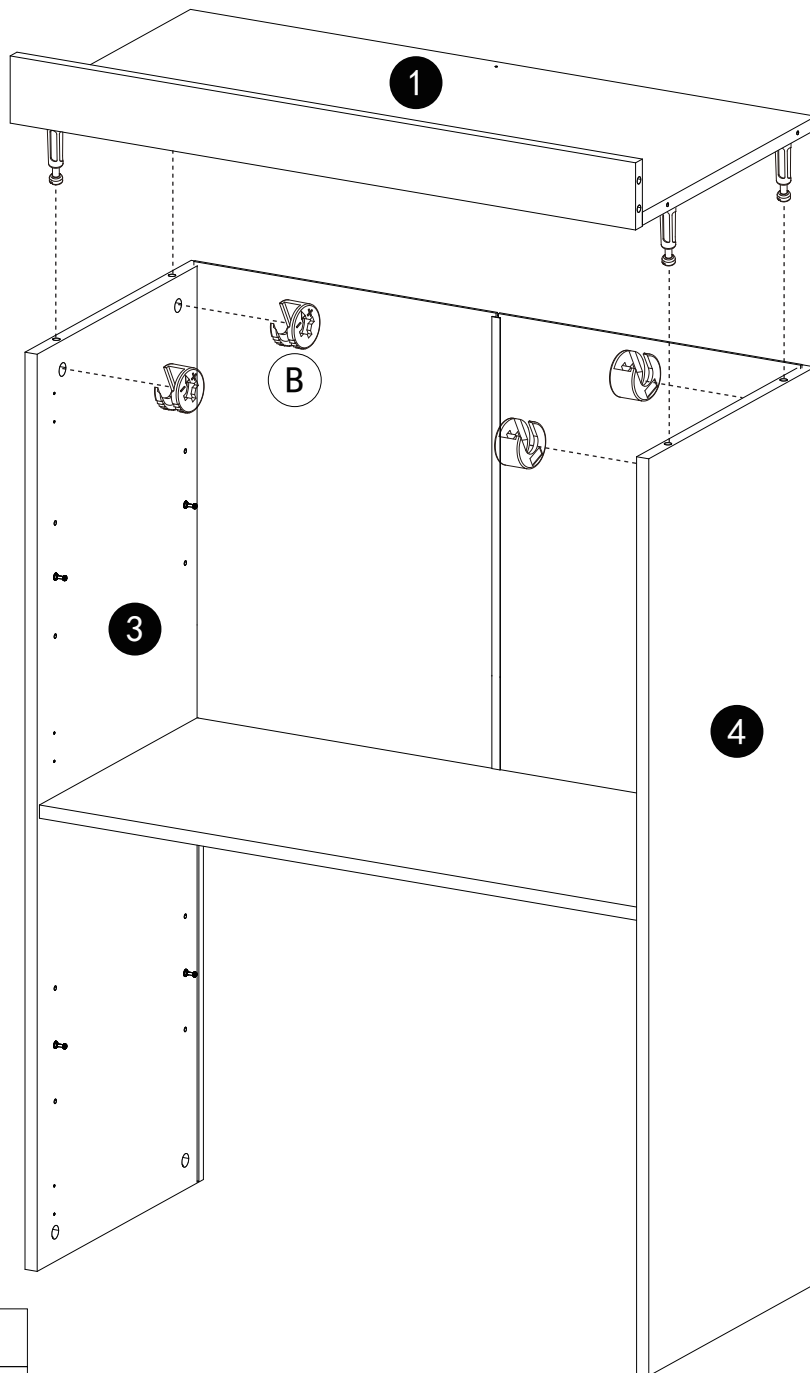
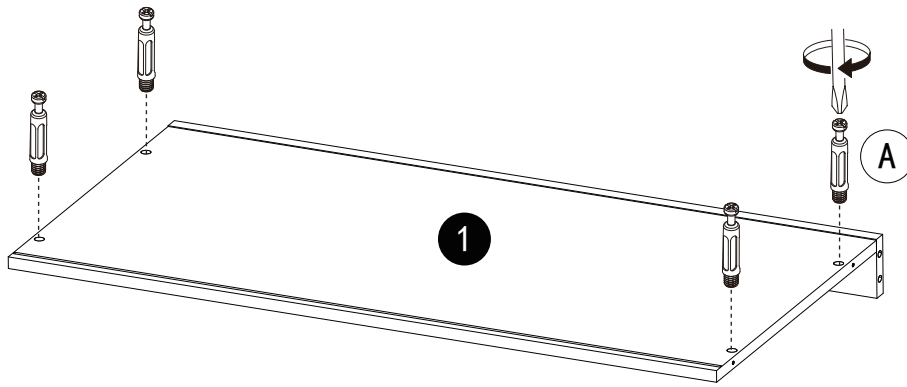
A		x2
B		x2



STEP 5



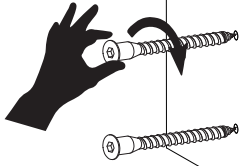
M		x1
---	--	----

STEP 6



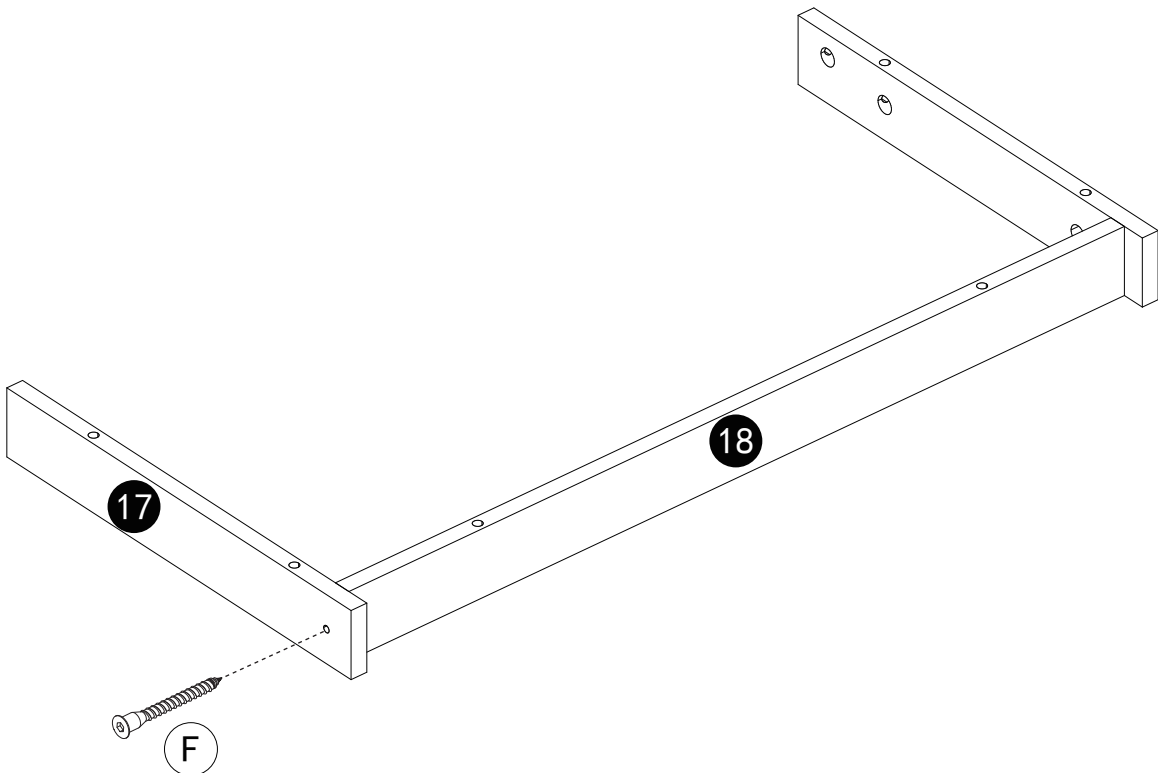
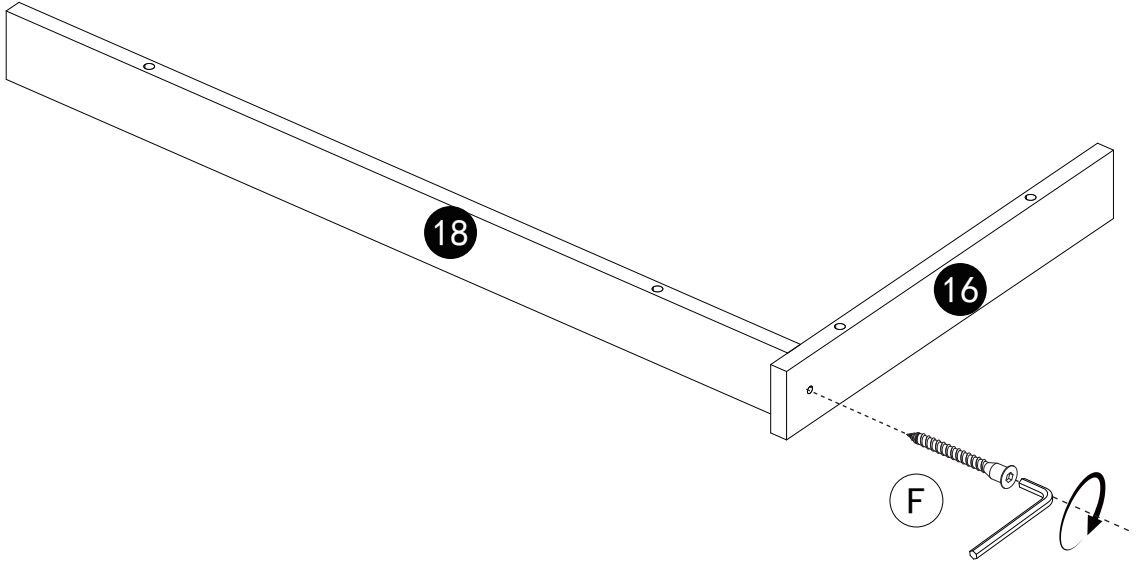
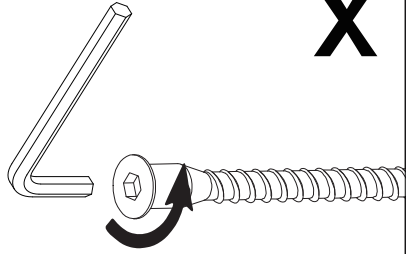
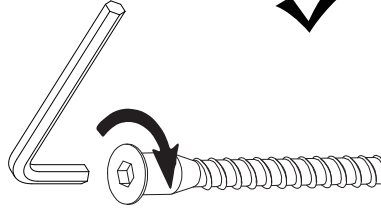
A		x4
B		x4

STEP 7



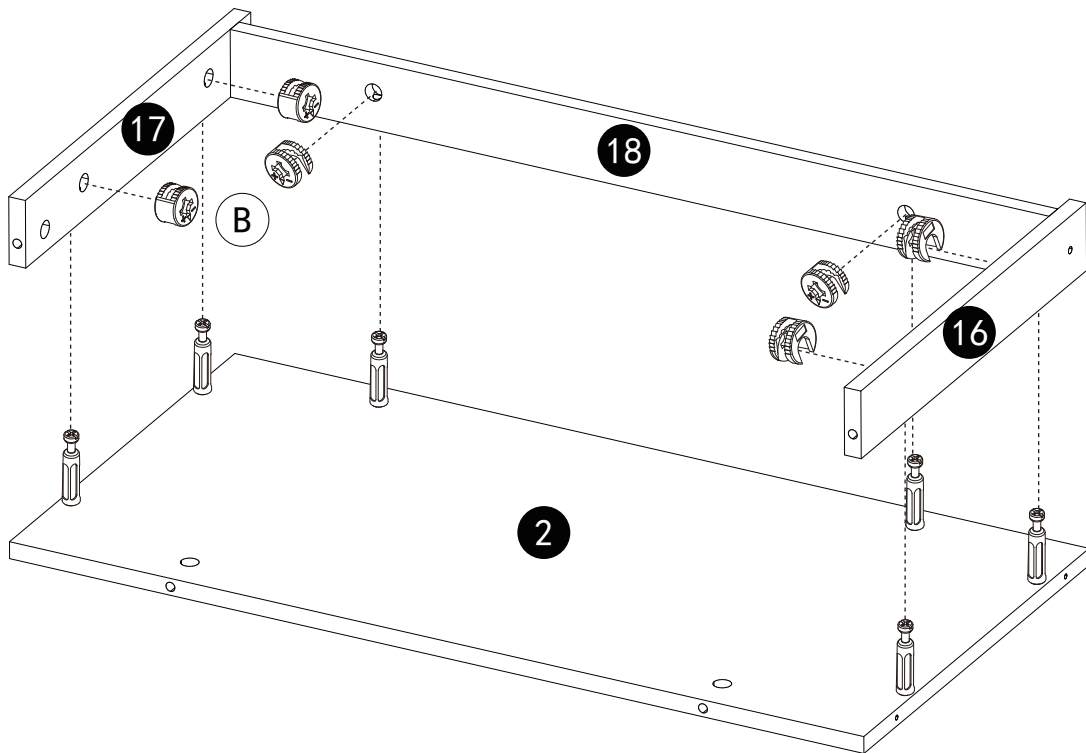
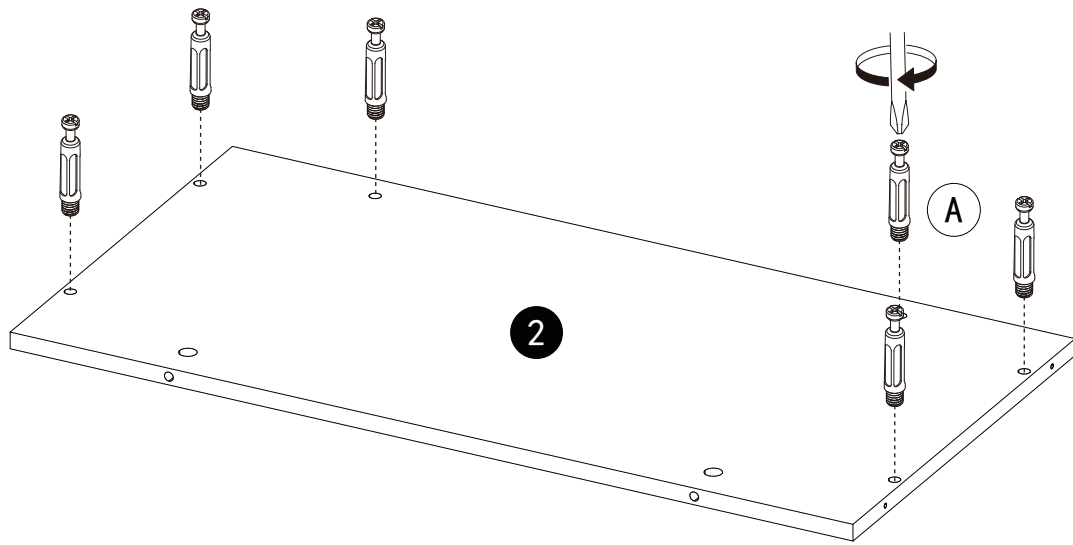
1



2



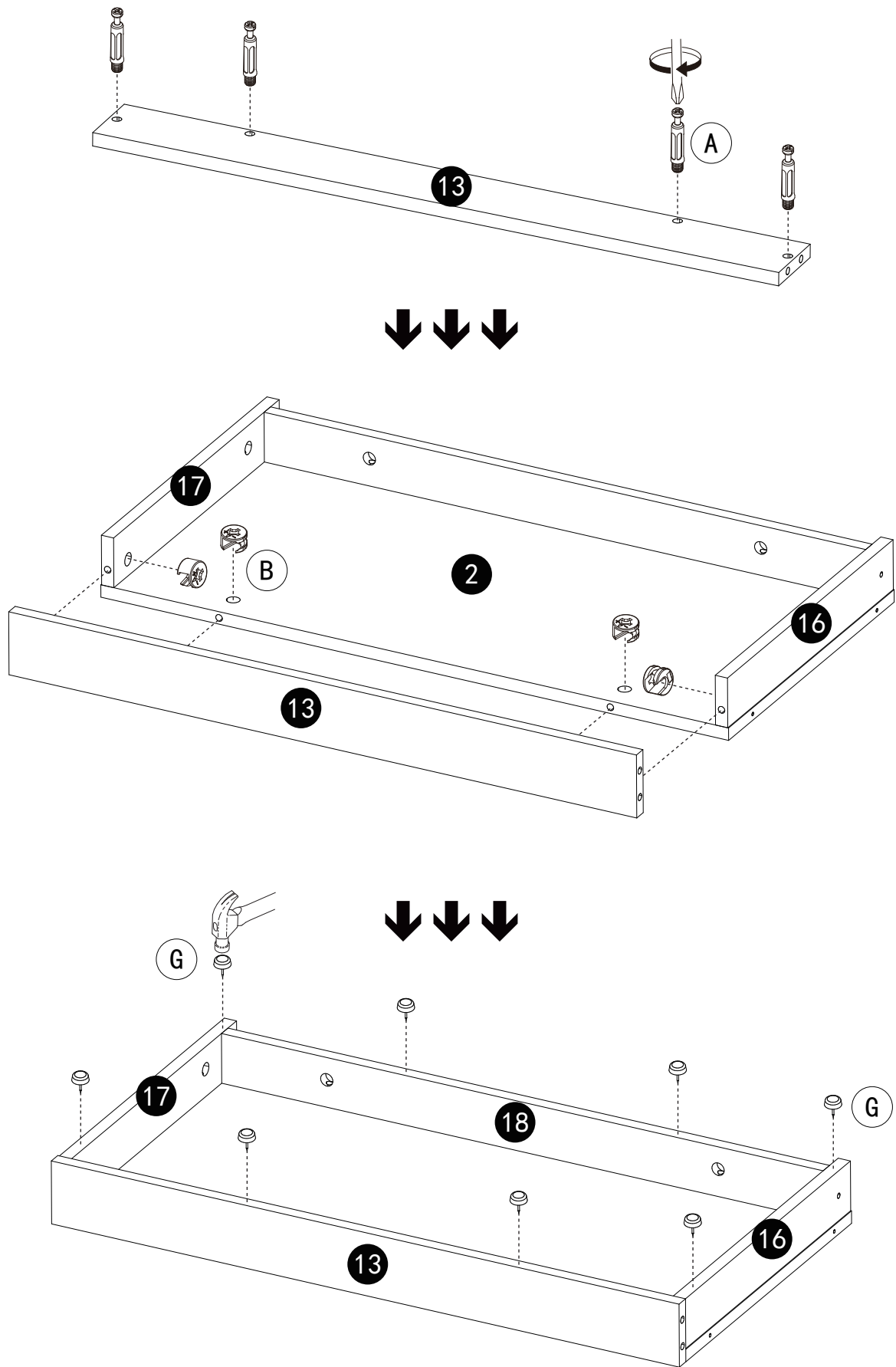
F  **x2**



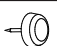
STEP 8



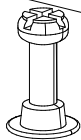
A		x6
B		x6

STEP 9

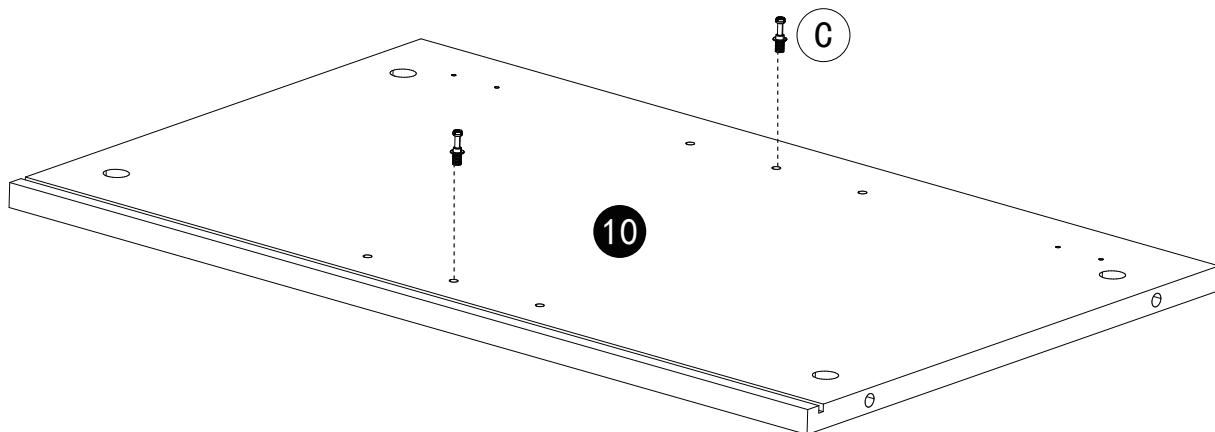
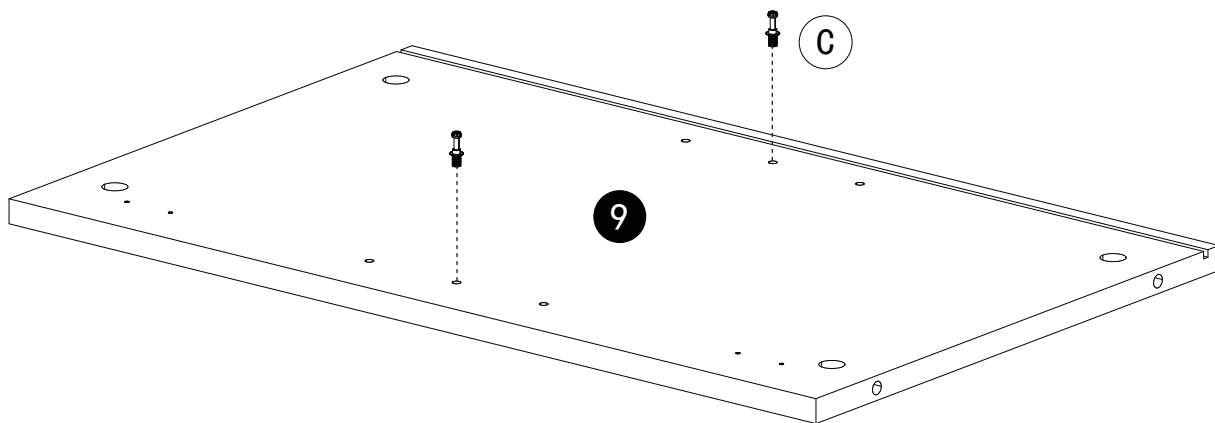


A		x4			
B		x4	G		x8

STEP 10



Height-adjustable

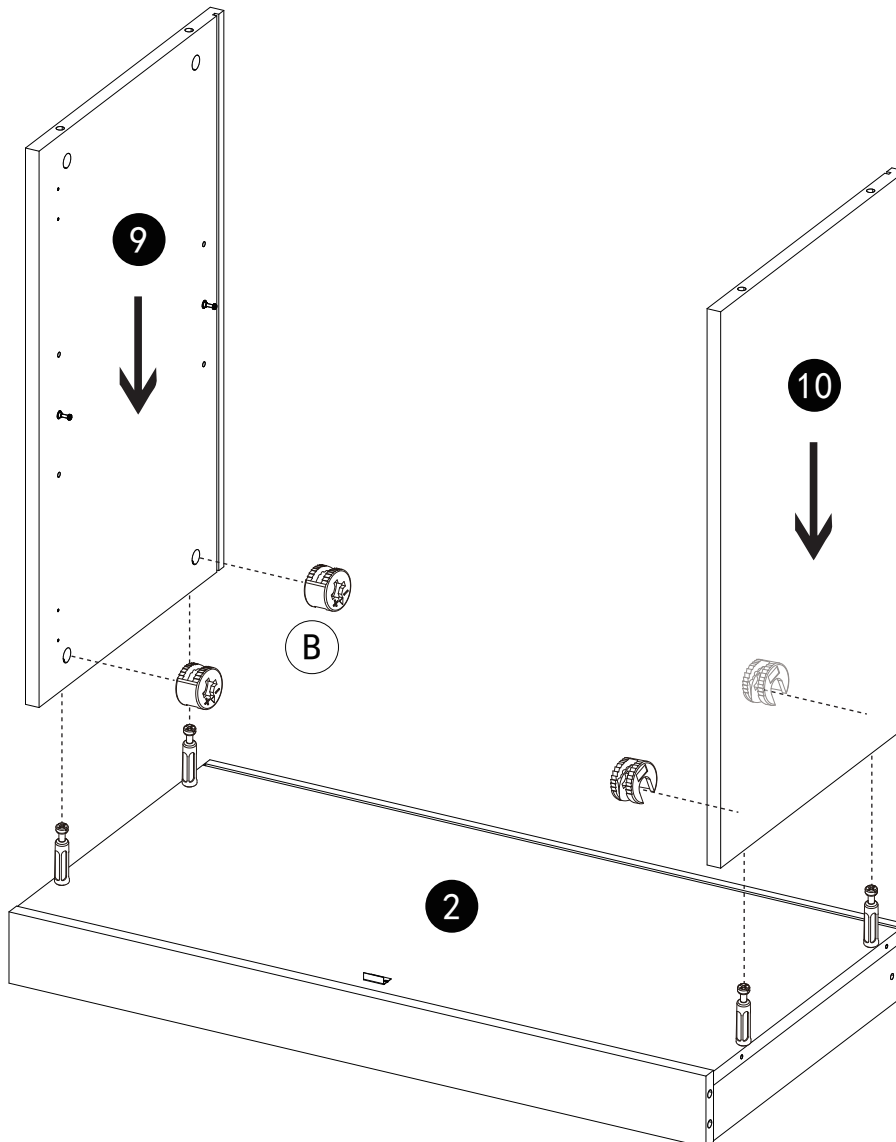
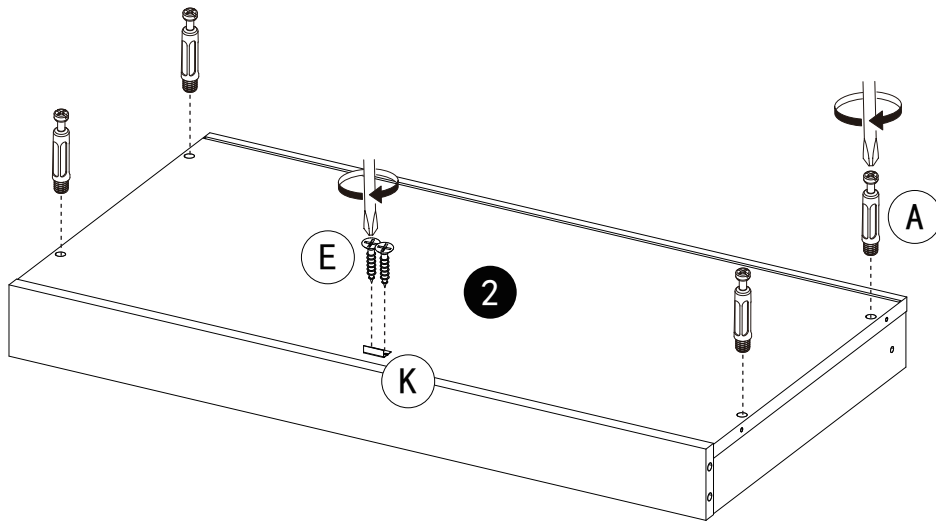


C



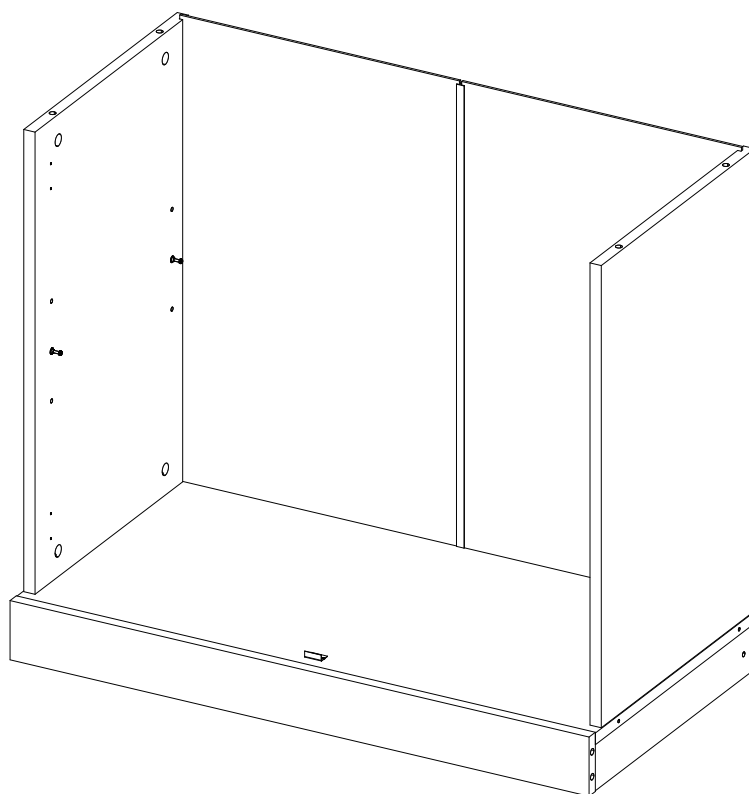
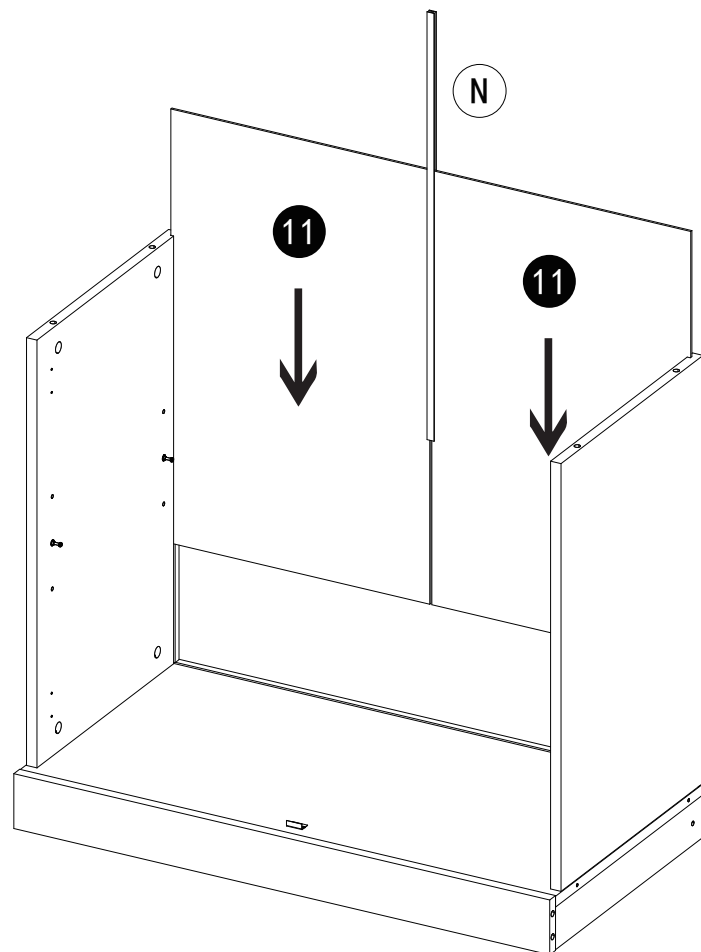
x4

STEP 11



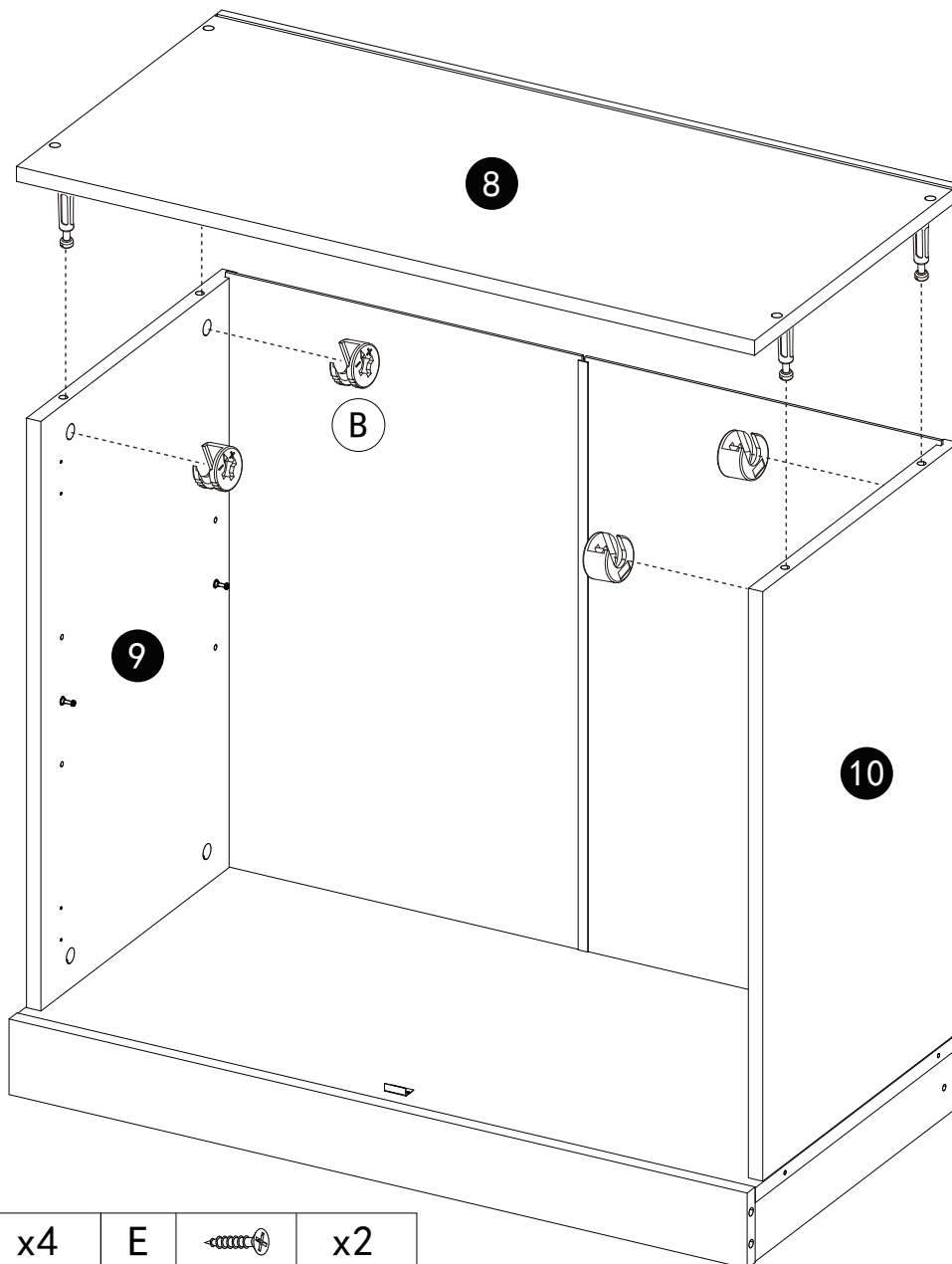
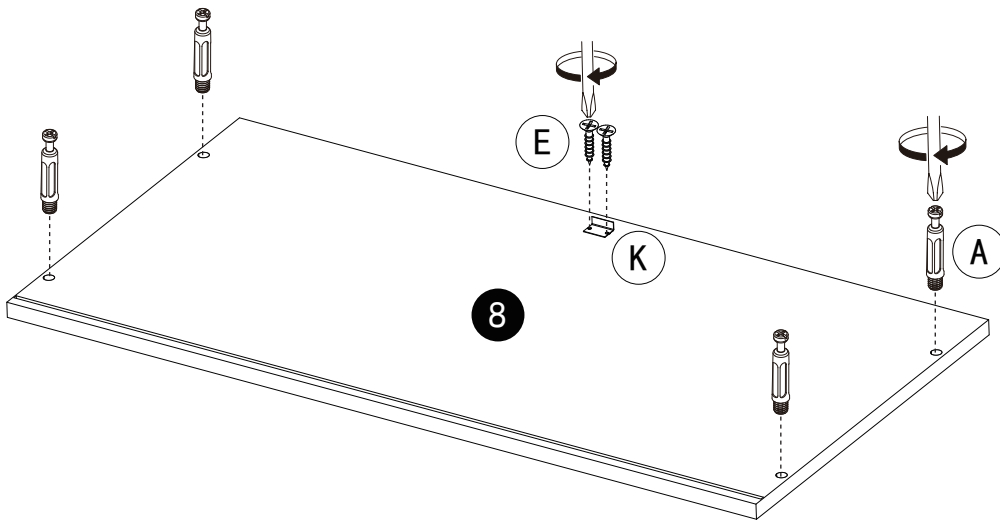
A		x4	E		x2
B		x4	K		x1

STEP 12



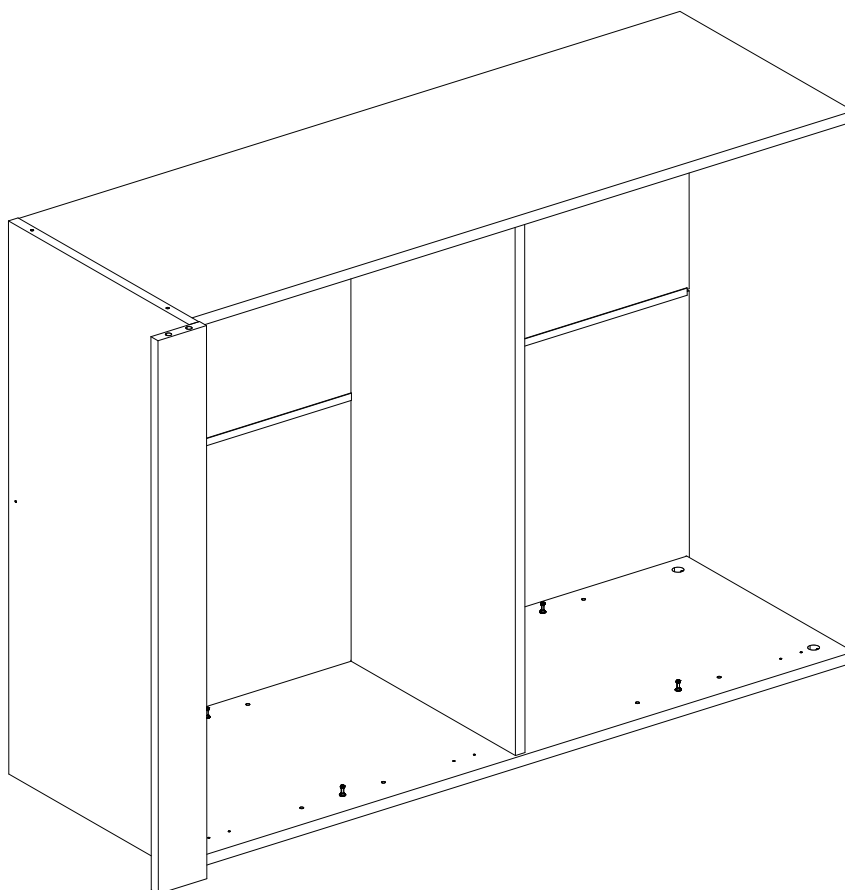
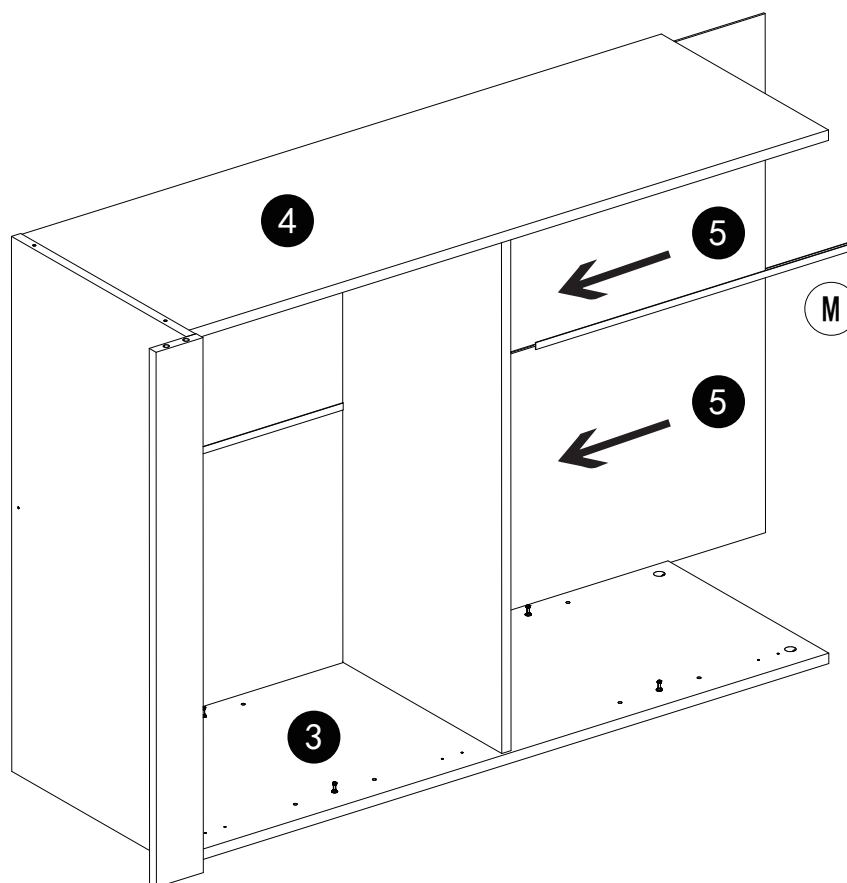
N		x1
---	---	----

STEP 13



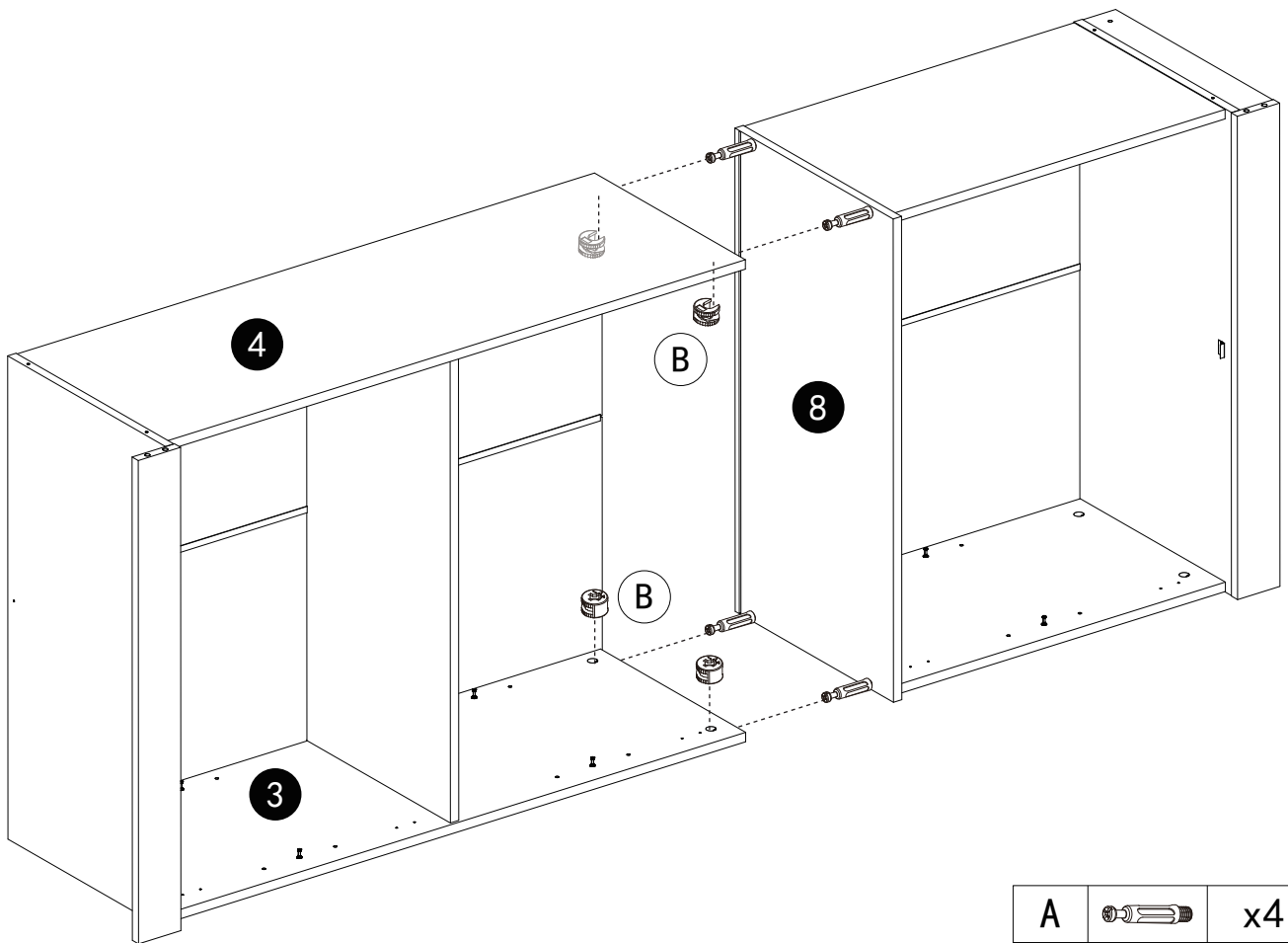
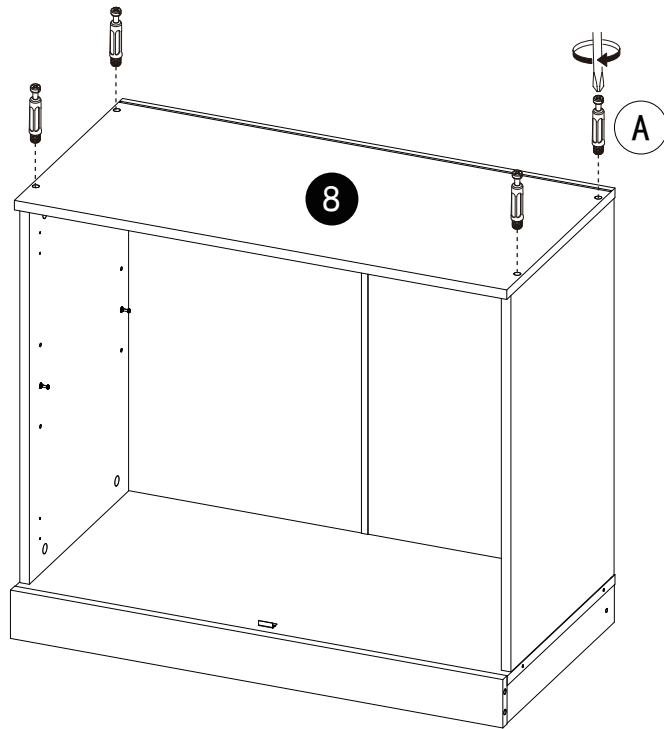
A		x4	E		x2
B		x4	K		x1



STEP 14



M		x1
---	---	----

STEP 15

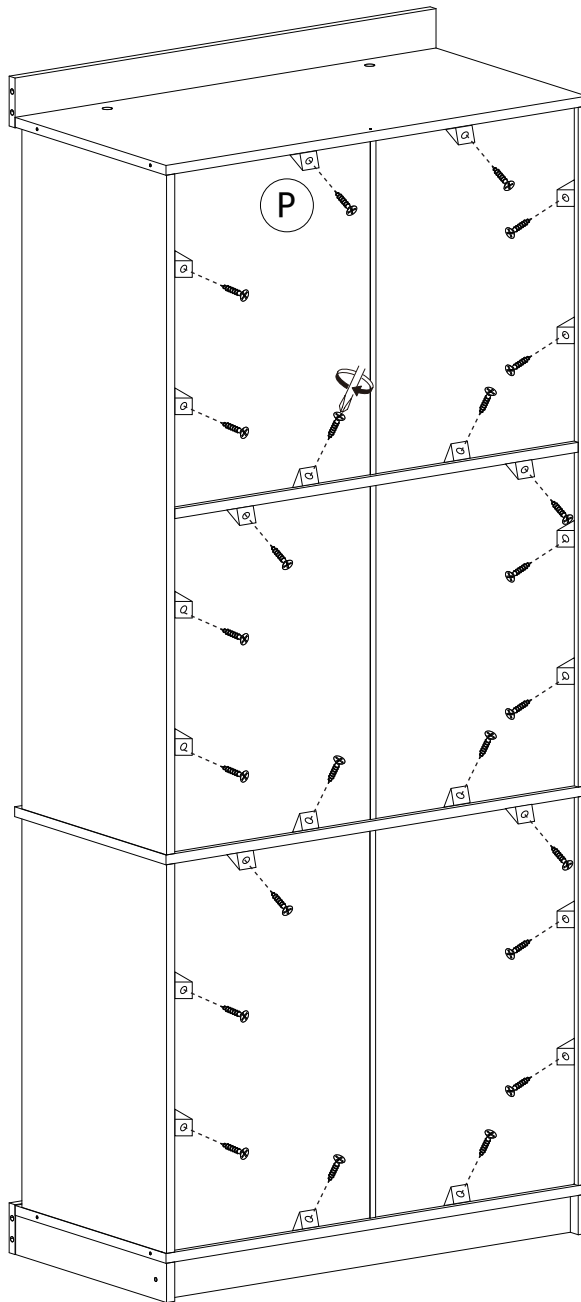




A		x4
B		x4

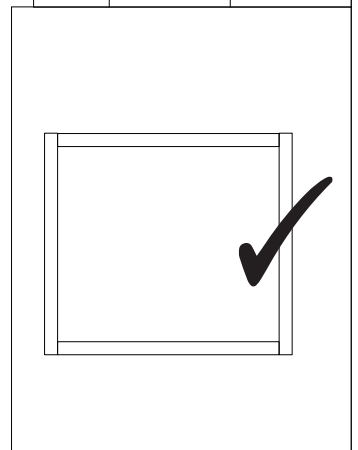
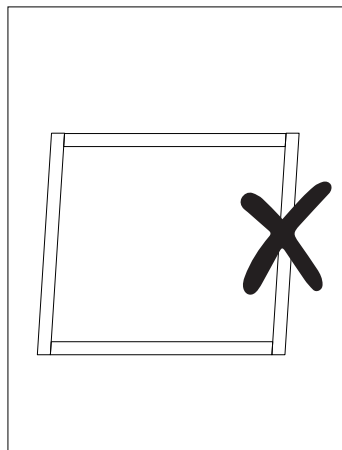
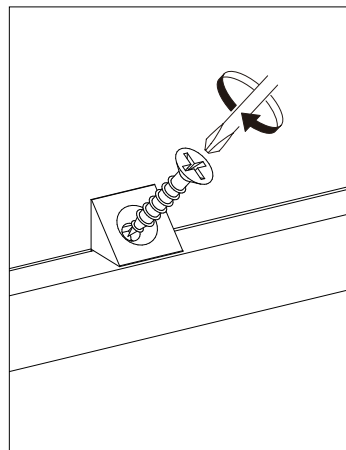
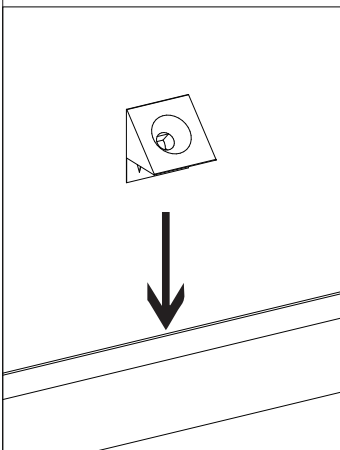
STEP 16



This is a critical step. Proper installation of the back panel fasteners is required to ensure the cabinet's structural rigidity and stability.

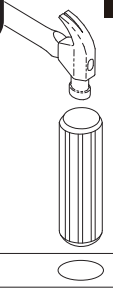


P   x24



STEP 17

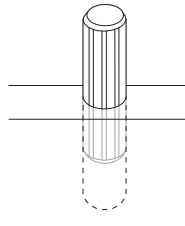
1



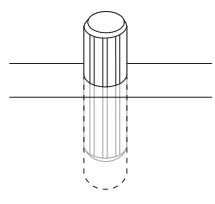
2



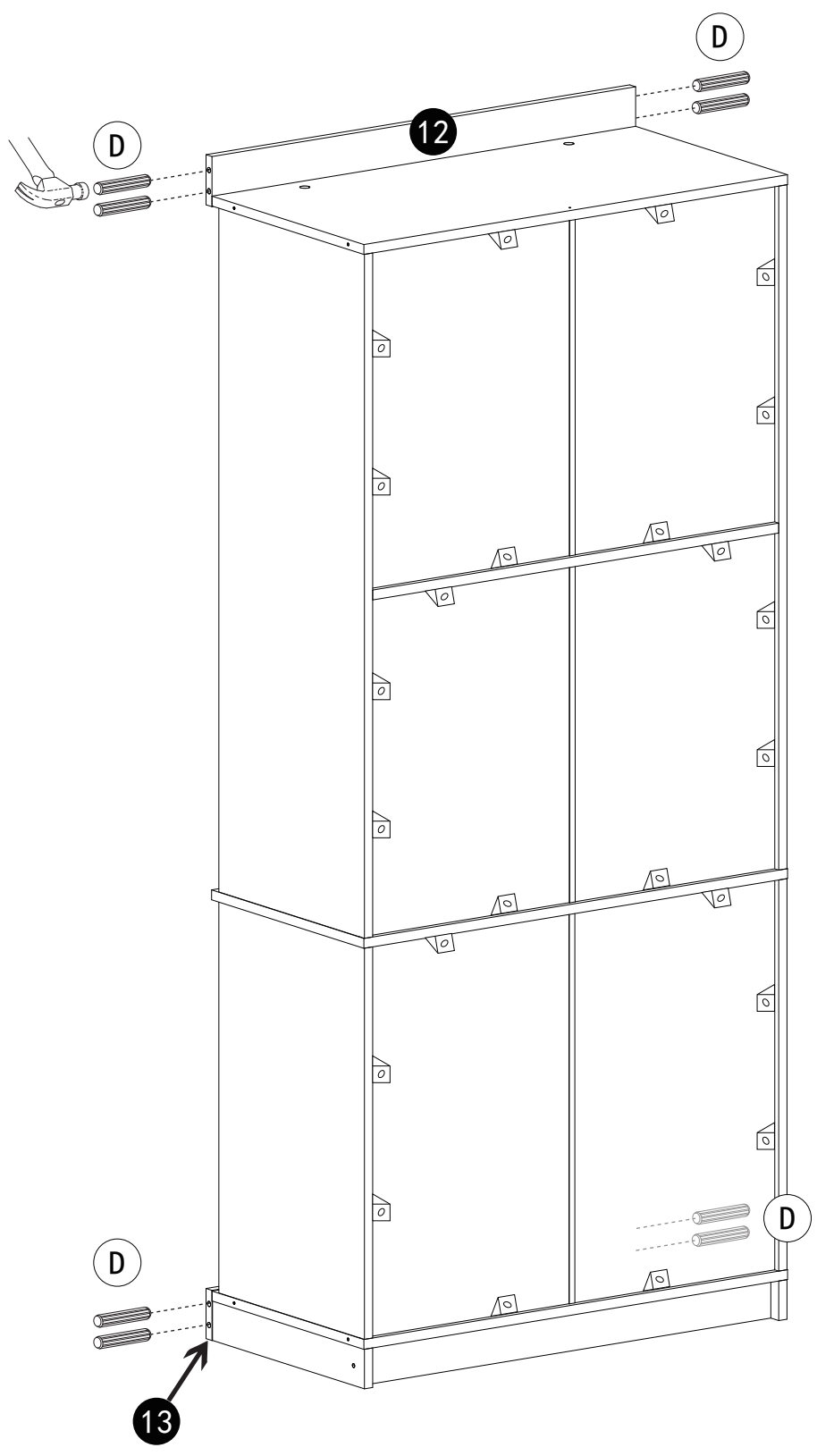
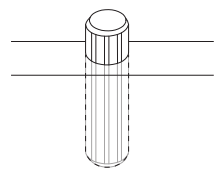
X




X

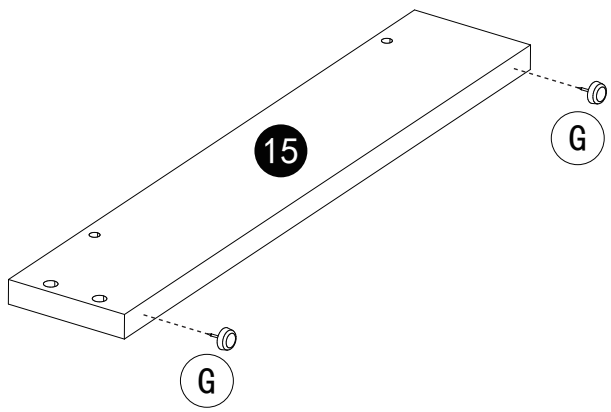
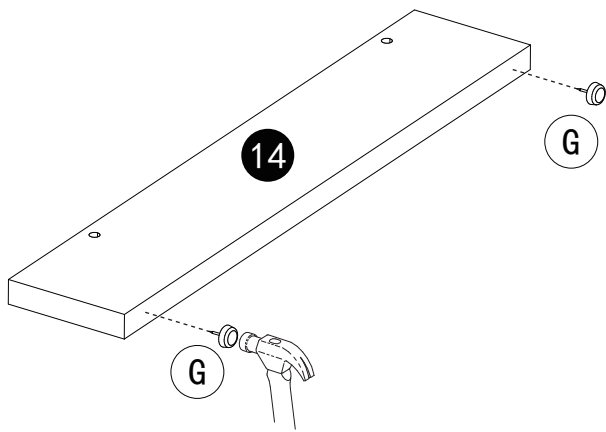


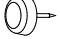
✓



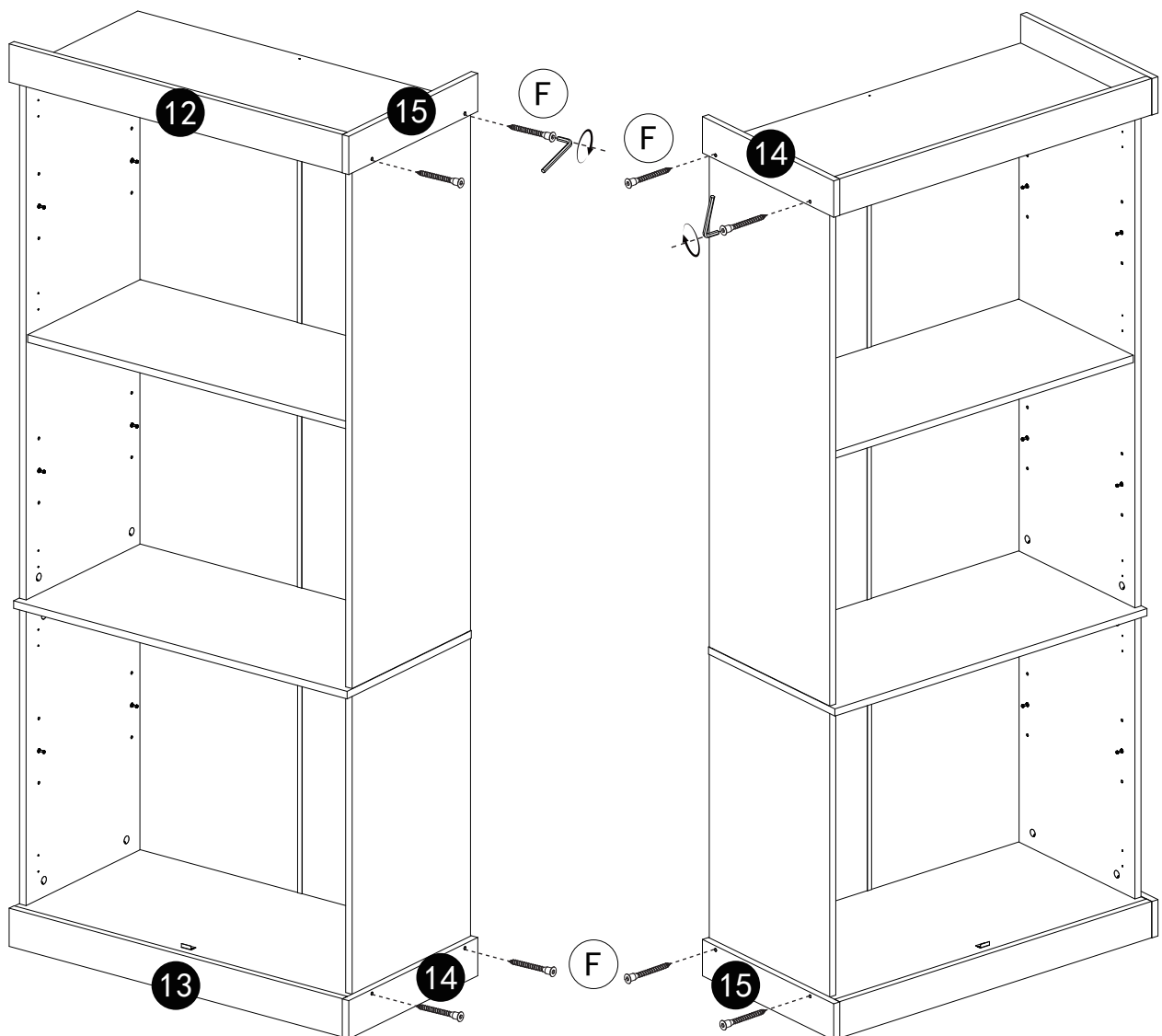
D		x8
---	---	----

STEP 18



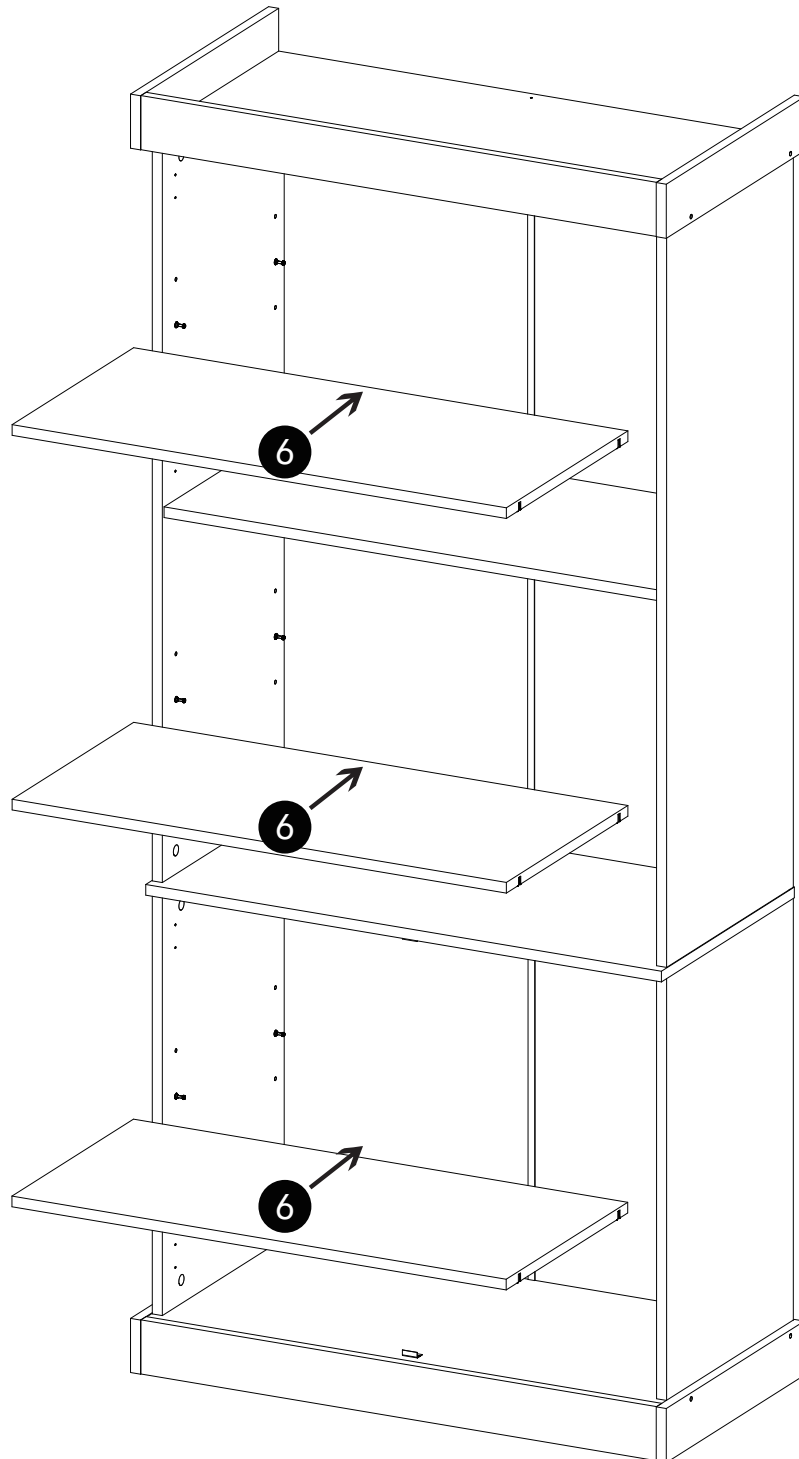
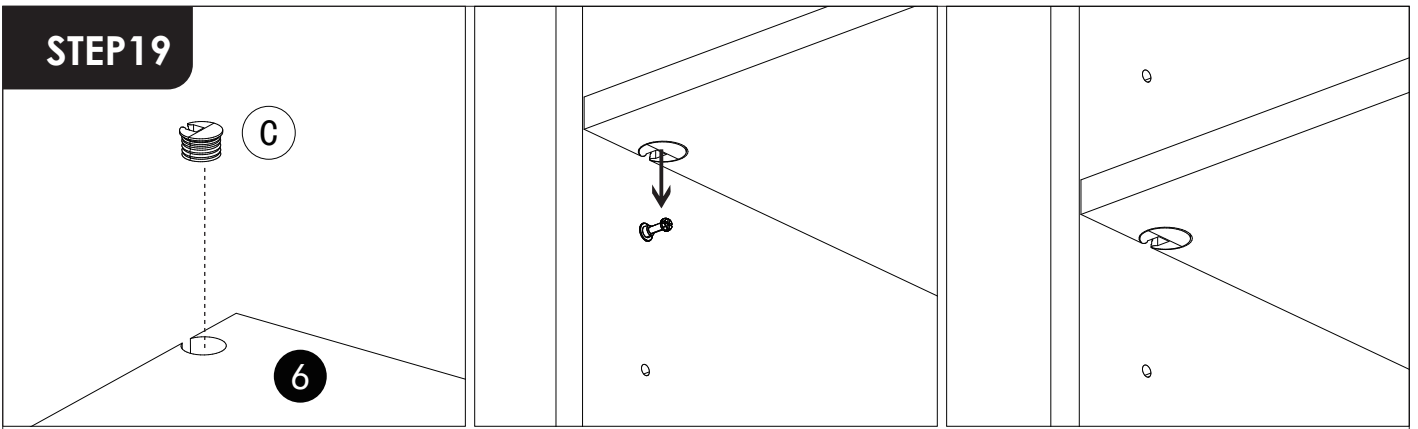
G		x4
---	---	----

Note: Plates 14 and 15 with G fittings installed are installed under the cabinet, while plates 14 and 15 without G fittings are installed above the cabinet.



F		x8
---	---	----

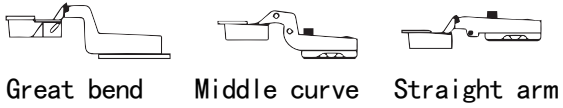
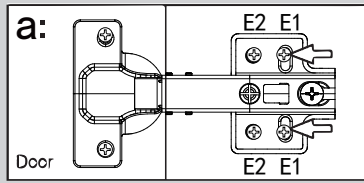
STEP 19



STEP 20

Hinge adjustment

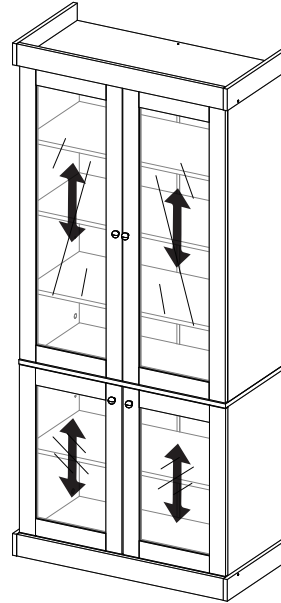
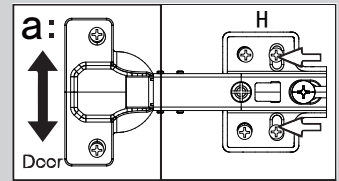
To facilitate the adjustment, install the E1 screw first, and then install the E2 screw.



Hinge adjustment

a: To move doors up or down: loosen screws shown and move doors to suit.

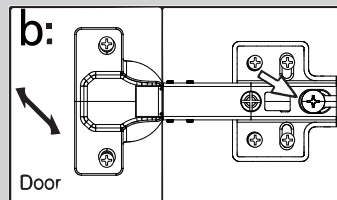
Once doors are aligned, re-tighten Screws H



Hinge adjustment

b: To move doors in or out: loosen screw shown and move doors to suit.

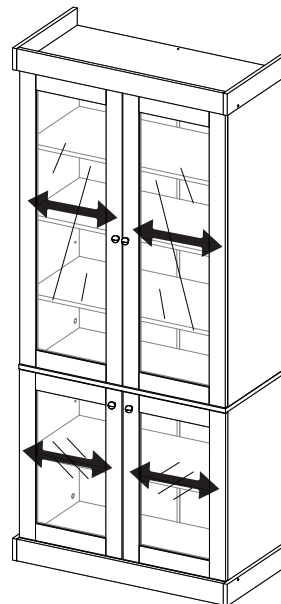
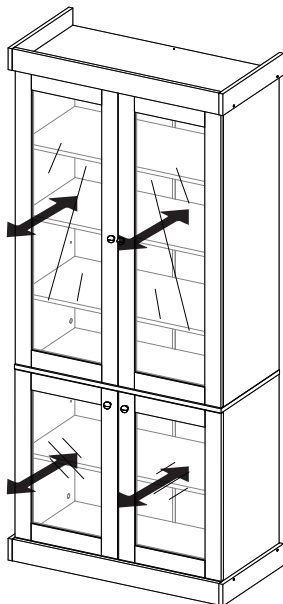
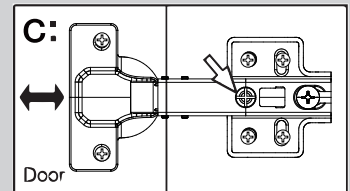
Re-tighten screws



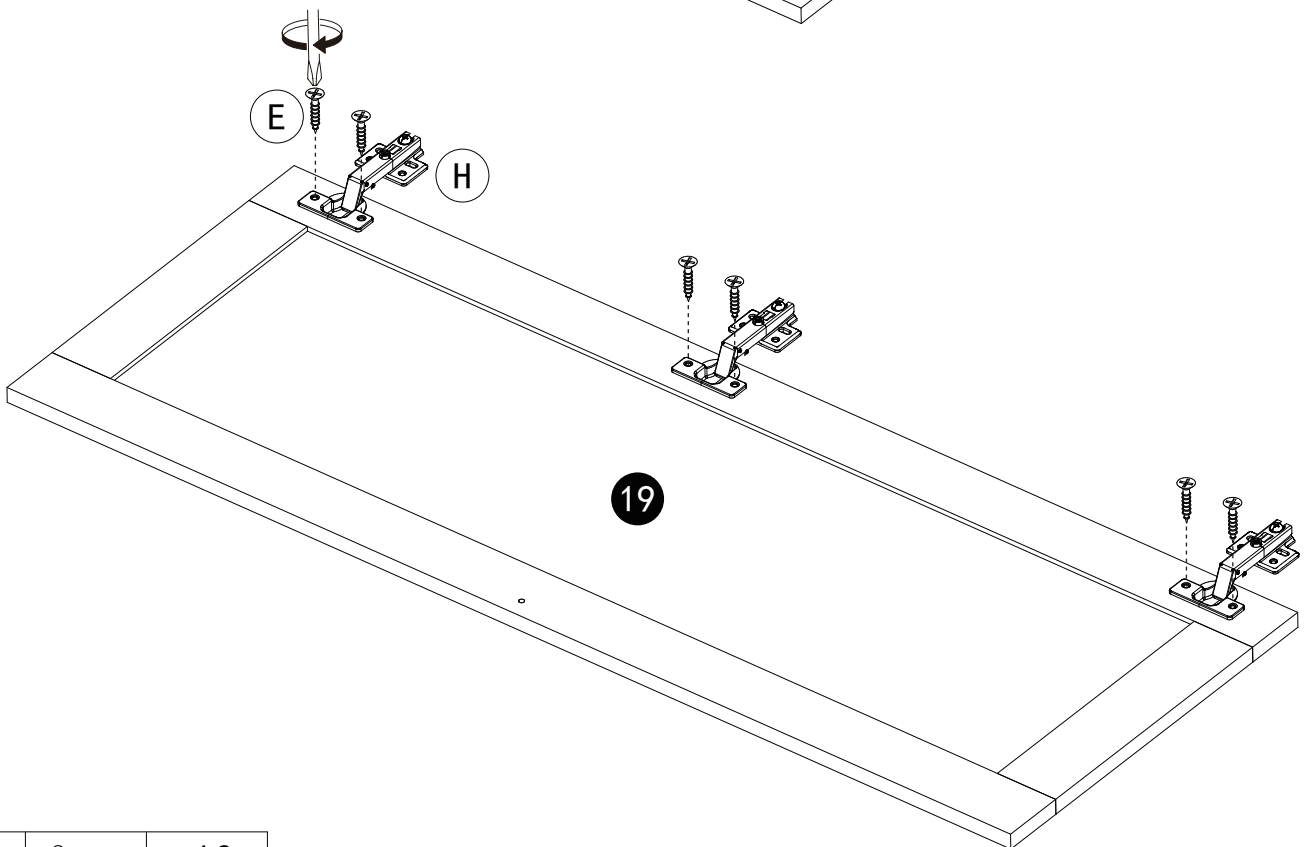
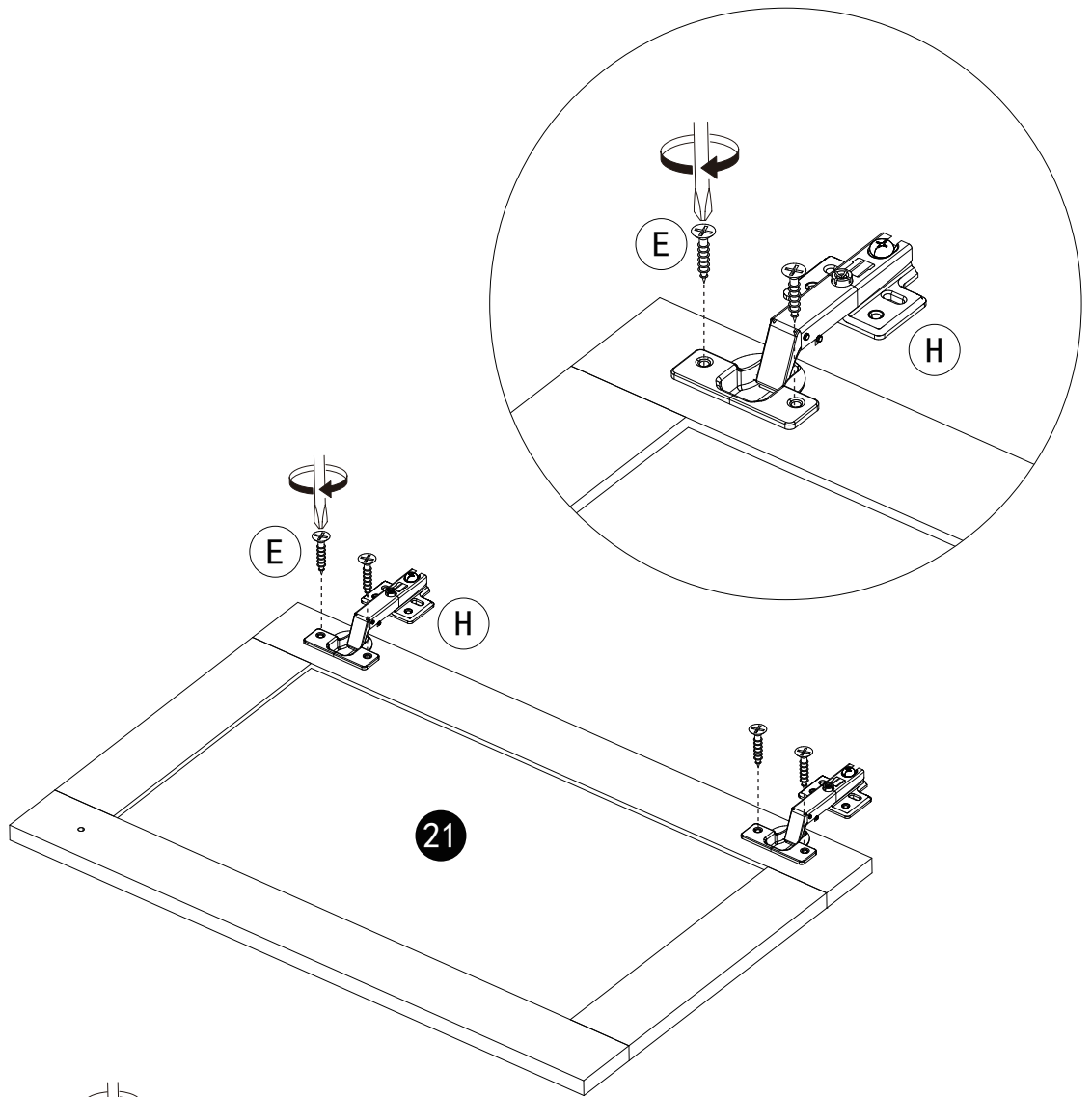
Hinge adjustment



c: To move doors left or right: loosen screw shown and move doors to suit.

Re-tighten screws

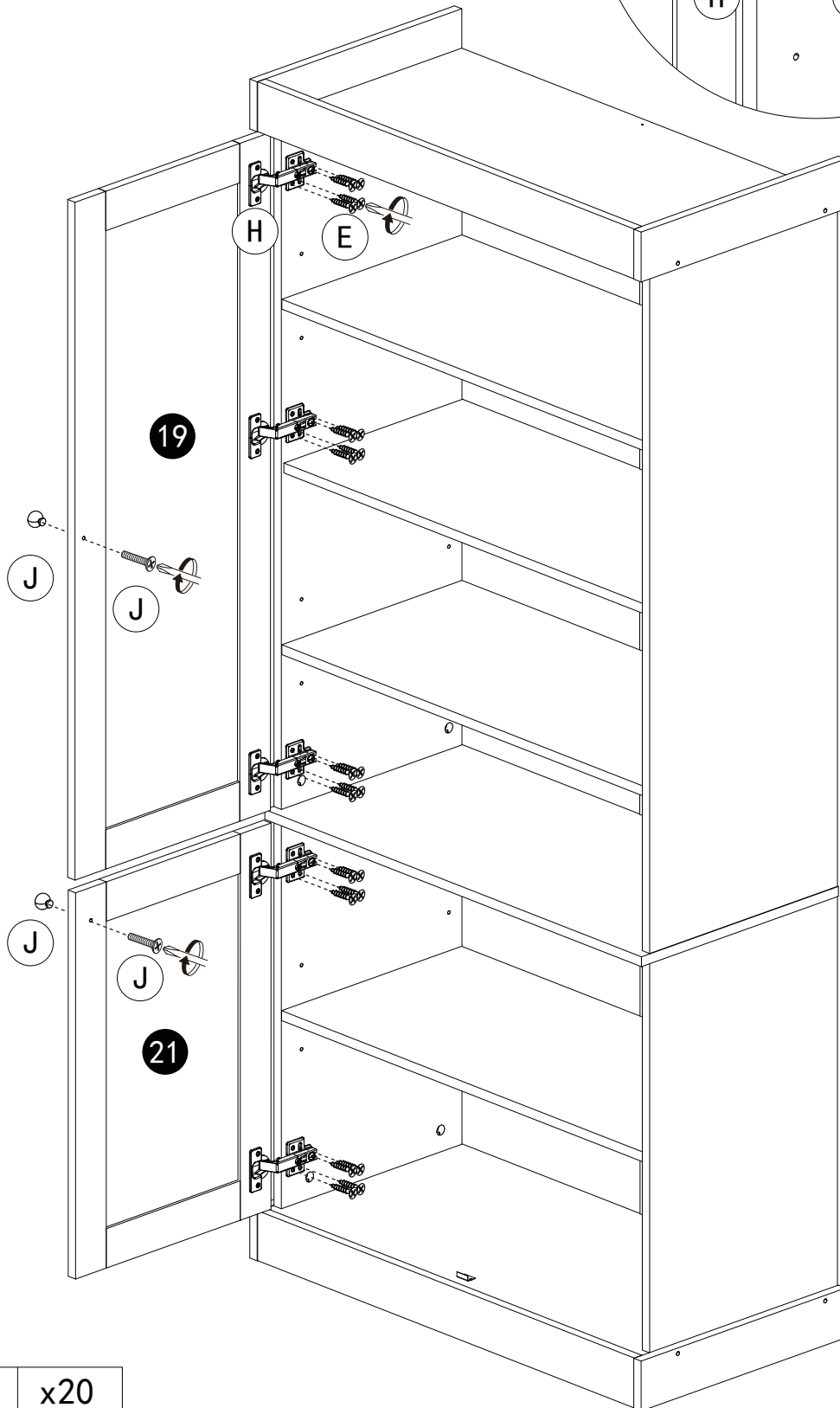
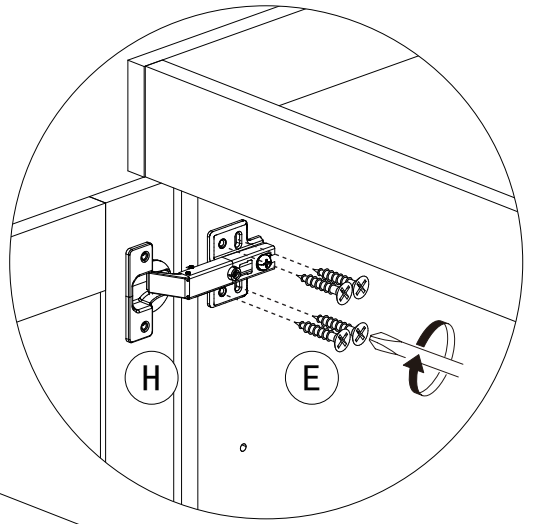


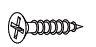

STEP21



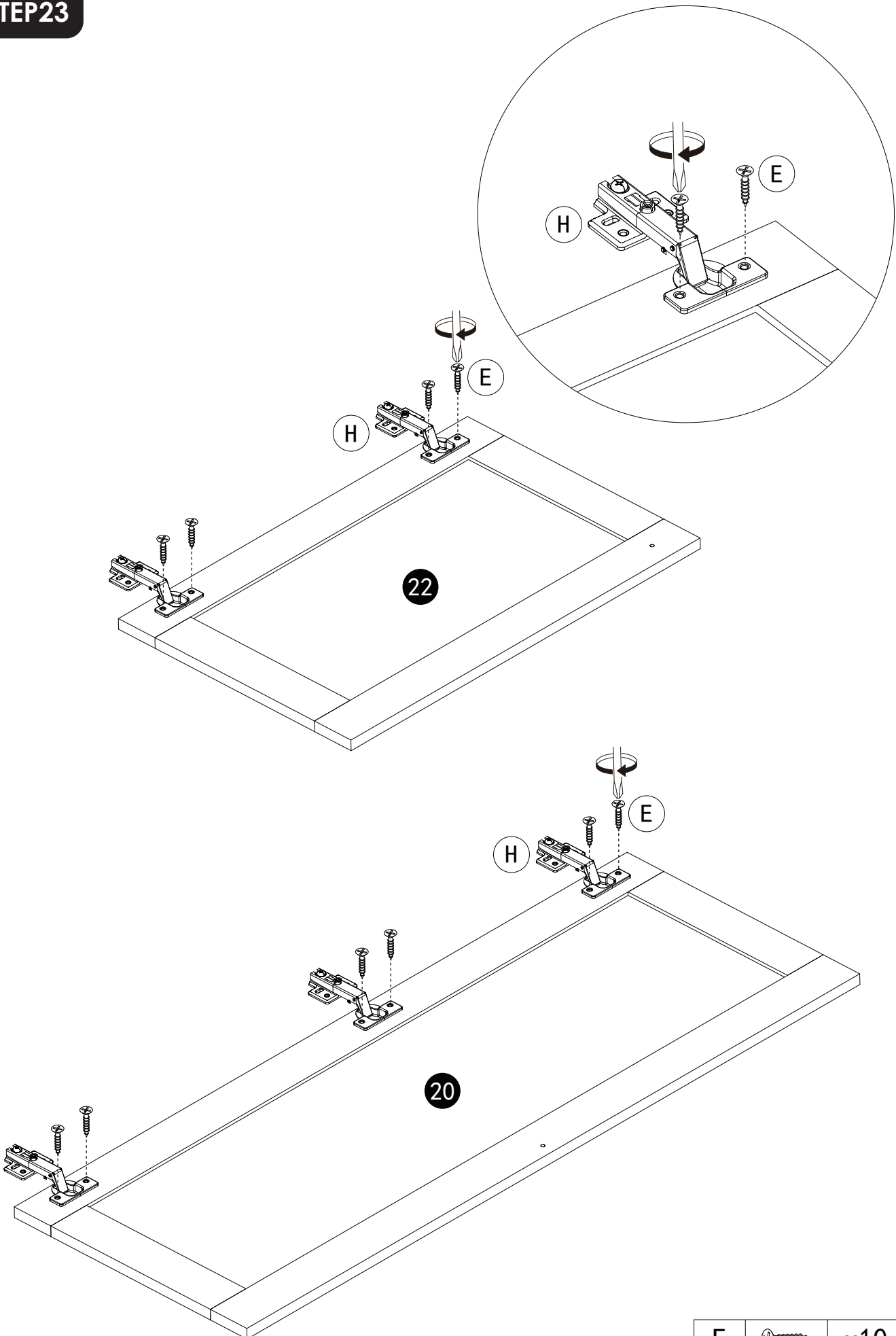
E		x10
H		x5



STEP 22



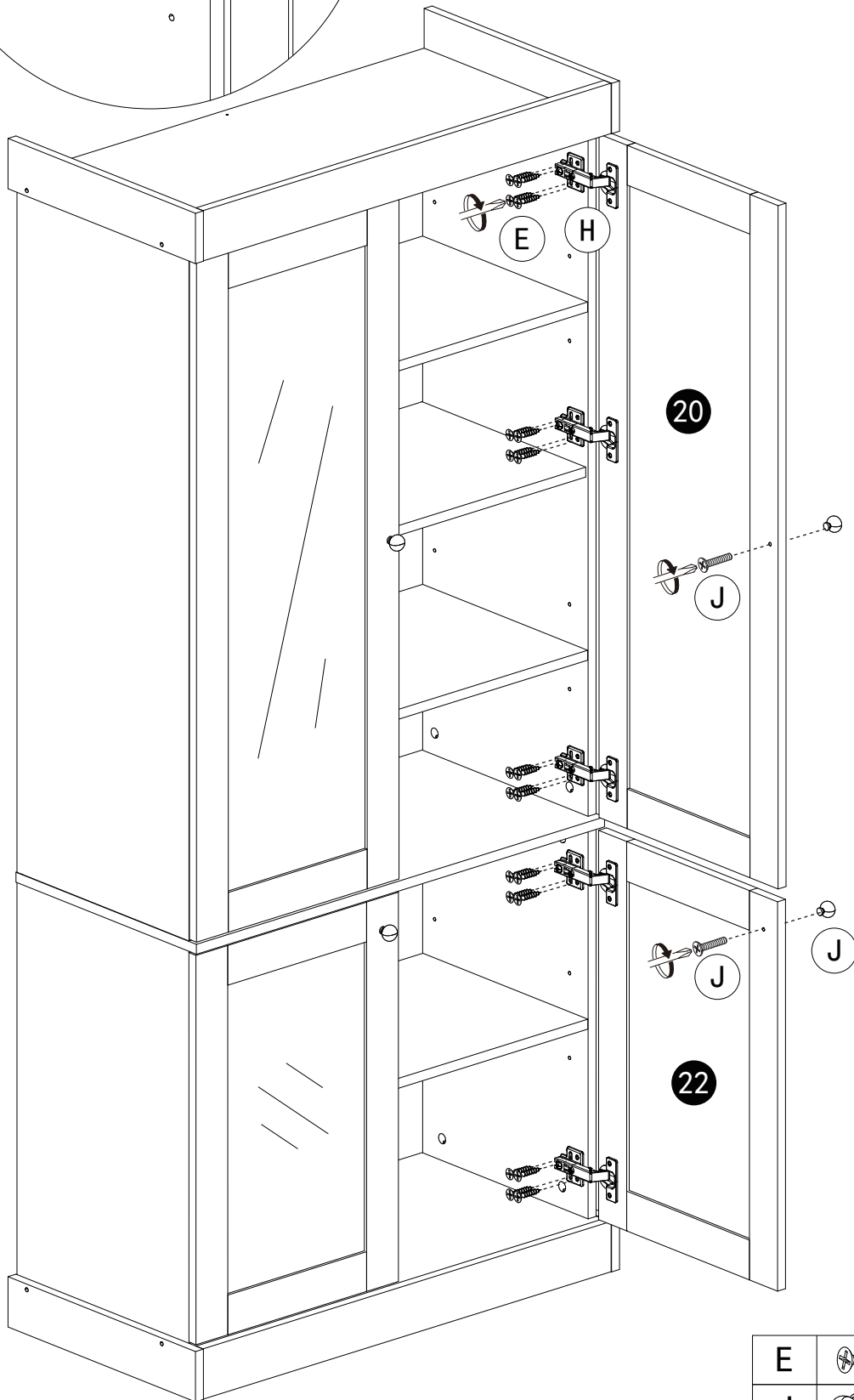
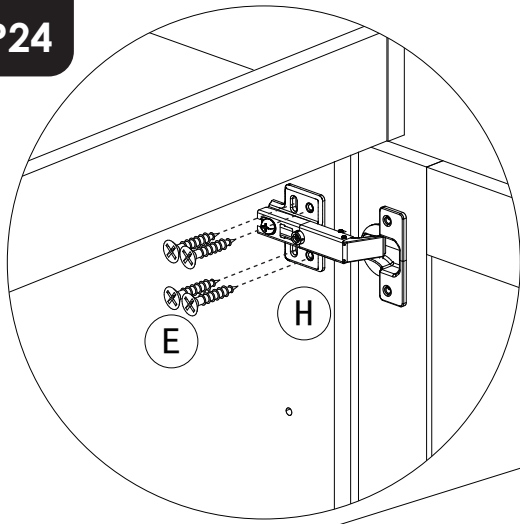
E		x20
J		x2



STEP 23



E		x10
H		x5

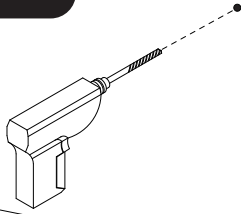
STEP 24



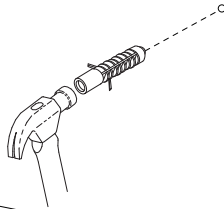
E		x20
J		x2

STEP 25

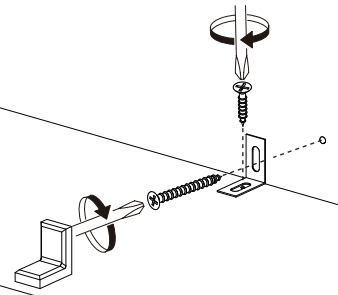
1



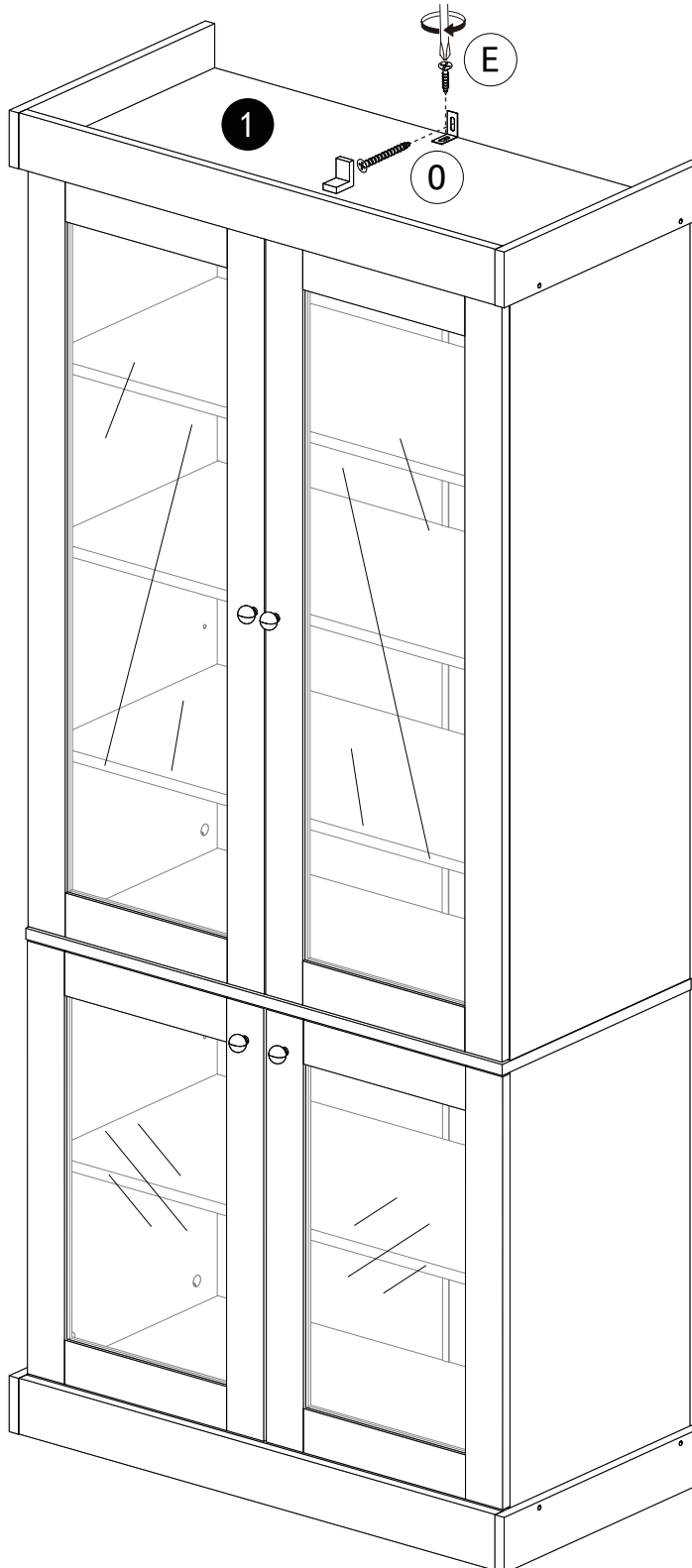
2

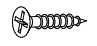



3

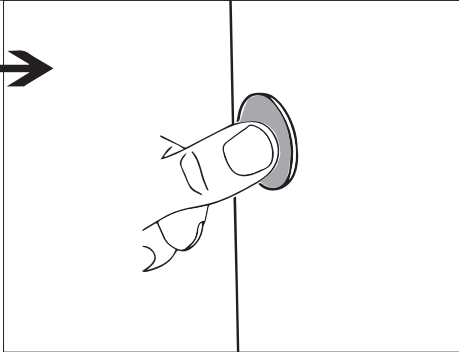
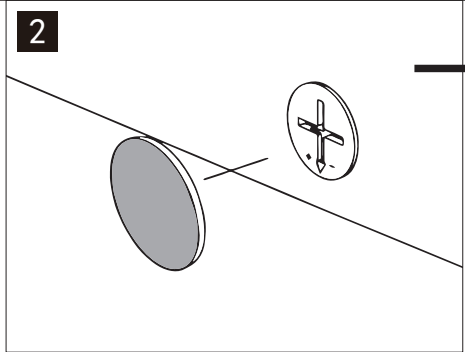
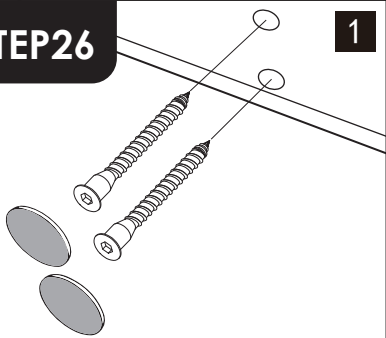


Note: If you buy two cabinets to be combined together, please do not install this step.

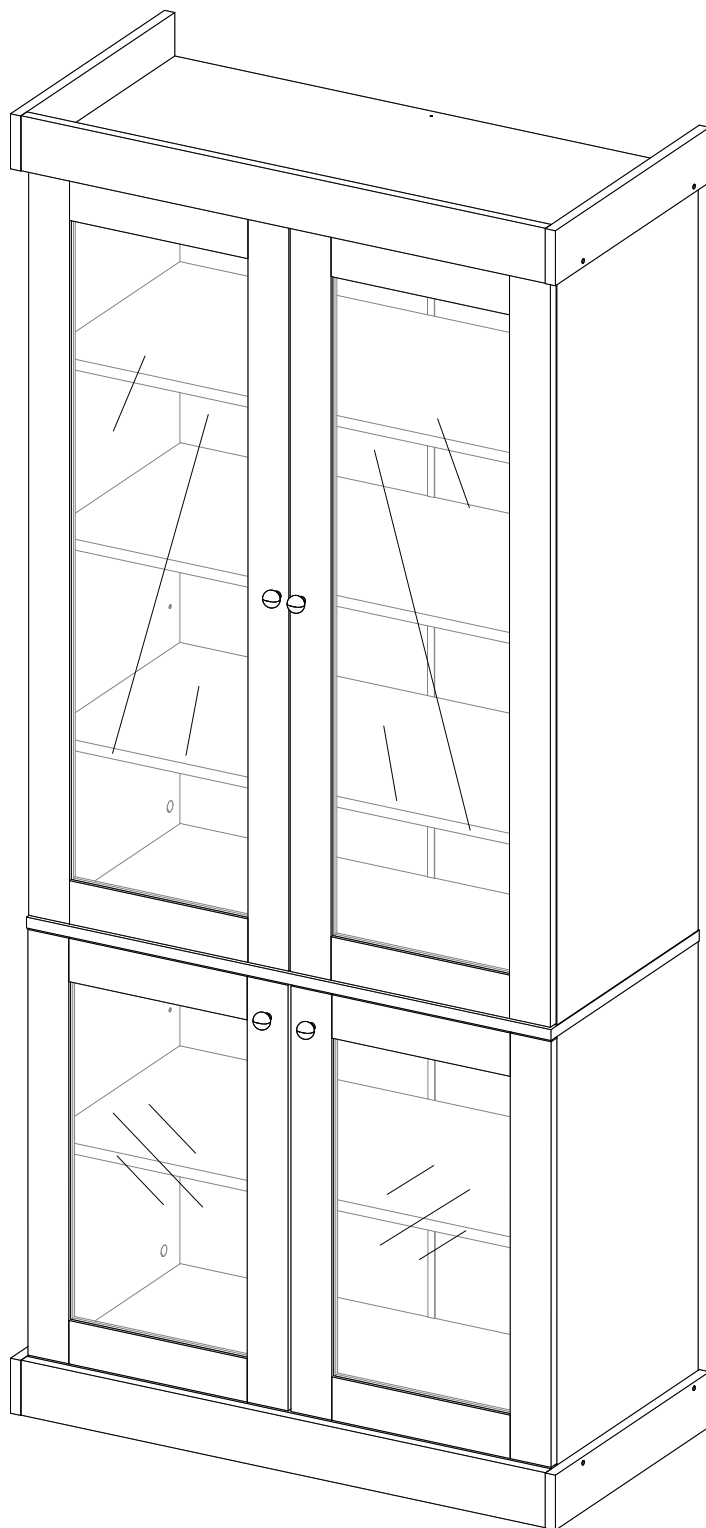


E		x1
0		x1

STEP 26



Add L fittings to all exposed holes on the front of the product



L		x20
---	---	-----