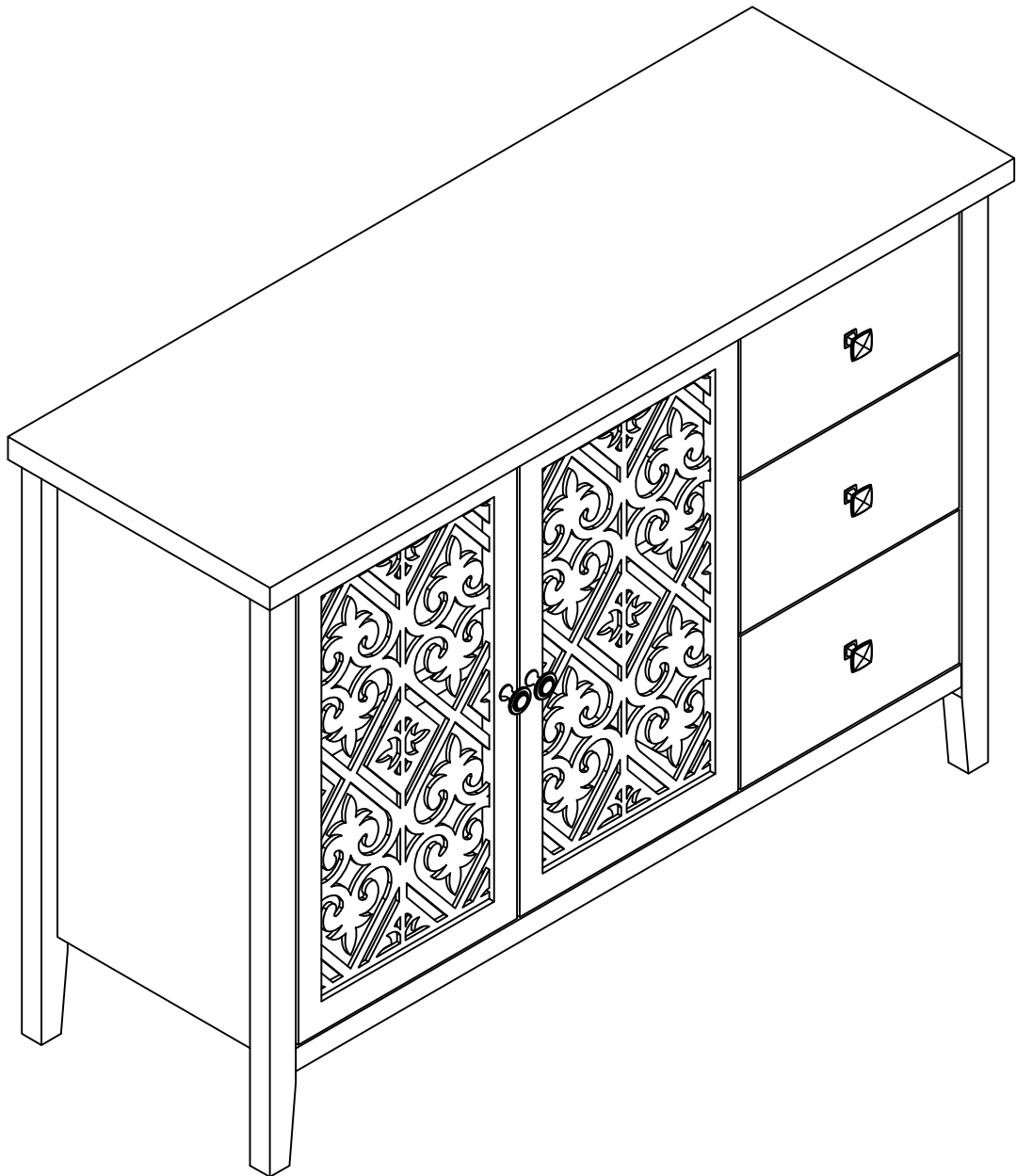


# Installation Instruction



Product name

---

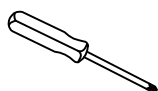
**2 Door 3 Drawer Cabinet**

Ver.1.0 20240821

# Assembling

## What you need

- Use the packaging carton as a working surface to prevent product damage during assembly
- Phillips head screwdriver



## Weight Limitation



50 | 11 | 22  
 lbs table top | lbs per drawer | lbs per shelf

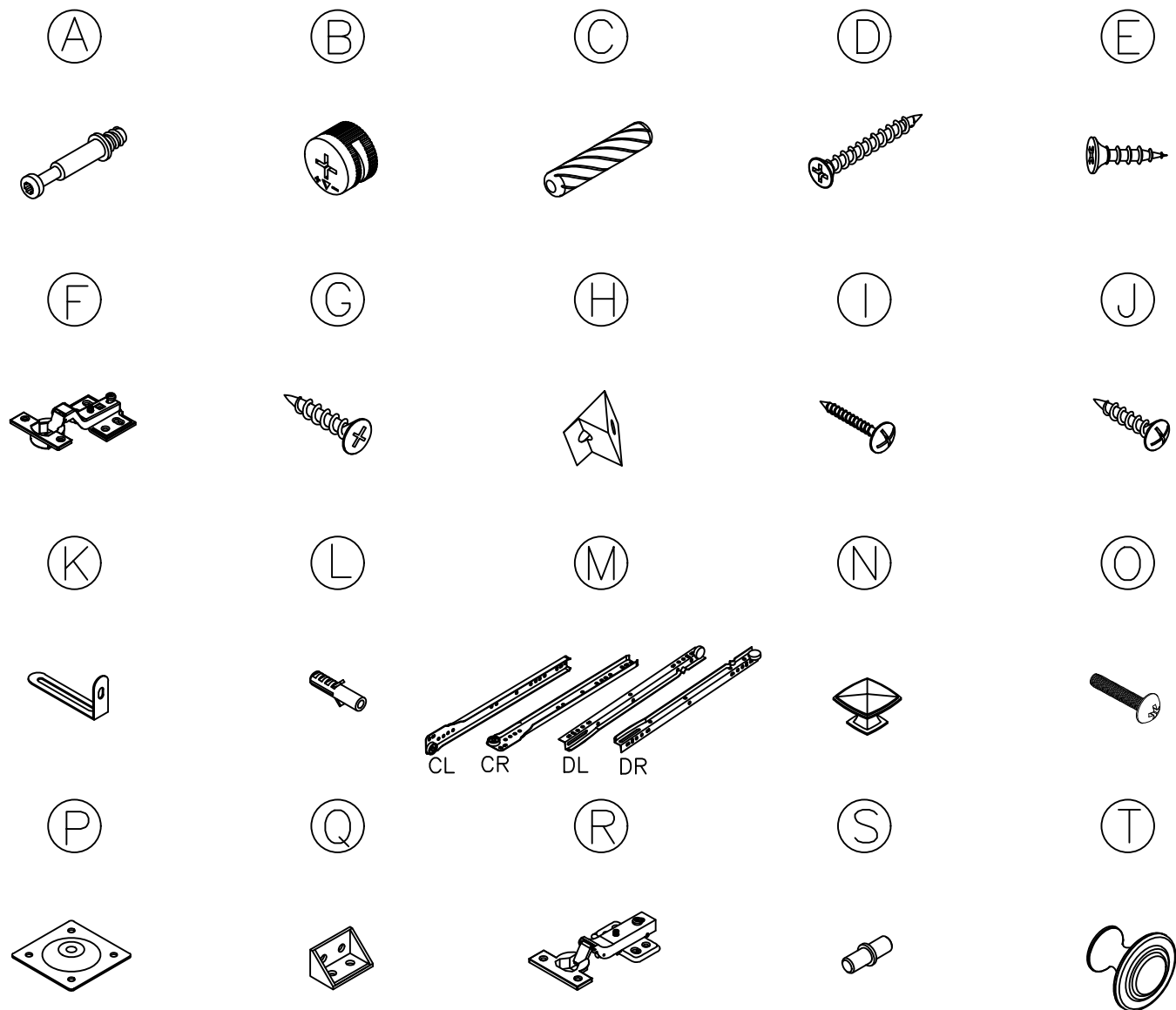


2 PERSONS

# What ' s included

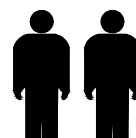
Code	Description	Qty
A	Cam Bolt M6X35mm	41
B	Cam Lock 15X10mm	41
C	Wooden Dowel M6X30mm	20
D	Screw M4X35mm	18
E	Screw M3X12mm	36
F	Large Hinge	2
G	Screw M4X14mm	26
H	Plastic Corner Support	12
I	Screw M3X16mm	12
J	Screw M4X14mm	6
K	Metal Plate	2
L	Anchor M6x30mm	2
M	Slide Sets	3
N	Drawer Handle	3
O	Bolt M4X22mm	5
P	Metal Pin	1
Q	Plastic Door Catcher	1
R	Small Hinge	2
S	Metal Support	4
T	Door Handle	2

# The hardwares



**IMPORTANT:**

1. Do not tighten bolts / screws completely until all bolts / screws are lined up and inserted into holes.
2. Do not over tighten screws and bolts to avoid stripping.
3. Please use hand tools to assemble this product. Do not use power tools.
4. Must need 2 people to assemble this product.

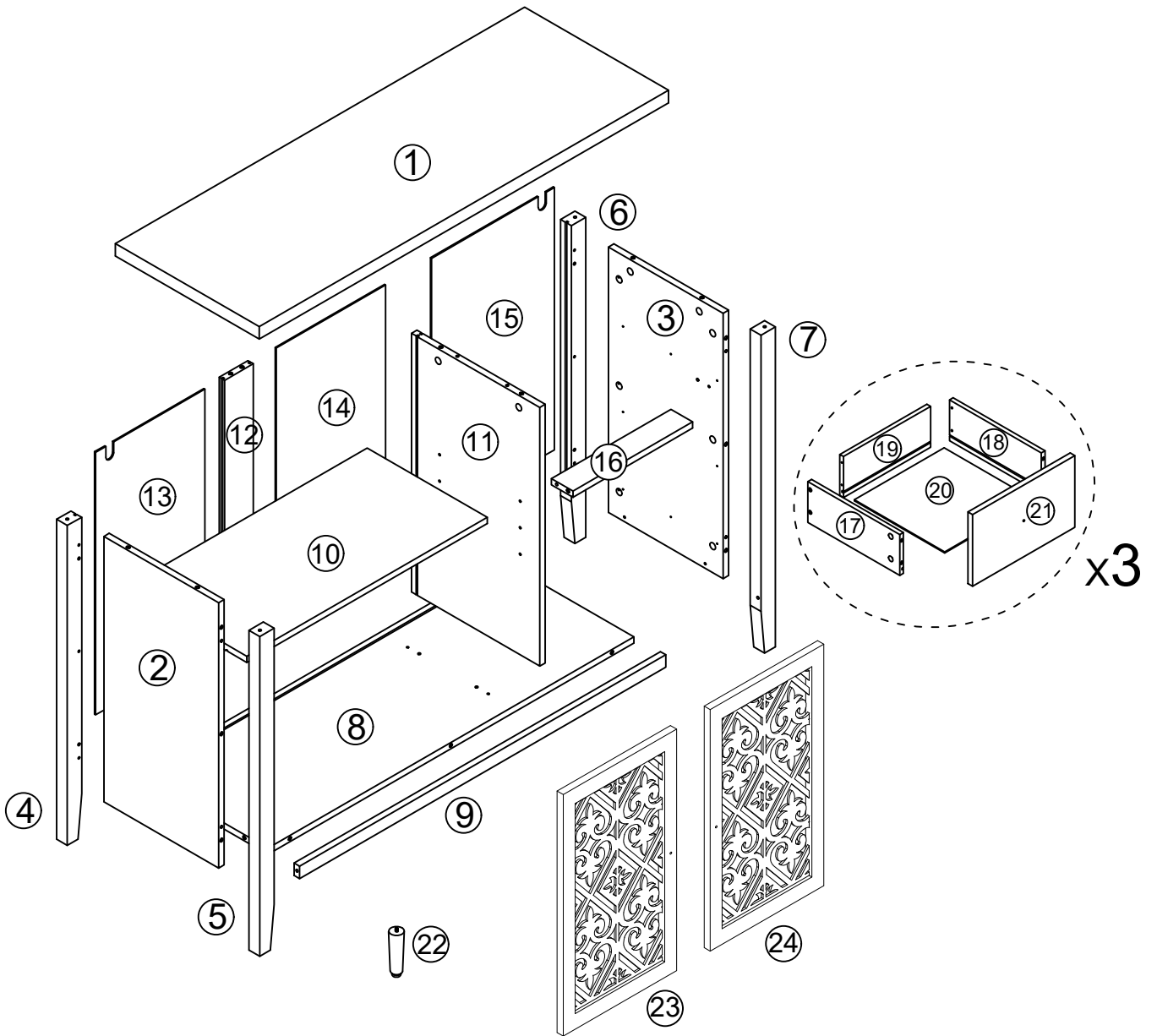


2 PERSONS

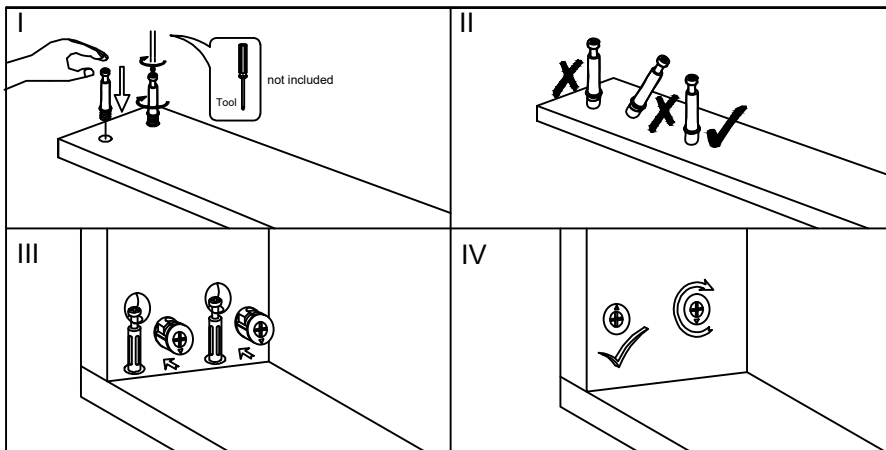
# Included Accessories

Code	Description	Qty
1	Cabinet Top	1
2	Left Side Panel	1
3	Right Side Panel	1
4	Left Back Leg	1
5	Left Front Leg	1
6	Right Back Leg	1
7	Right Front Leg	1
8	Bottom Panel	1
9	Lower Front Stretcher	1
10	Shelf	1
11	Middle Division Panel	1
12	Vertical Back Stretcher	1
13	Left Back Panel	1
14	Middle Back Panel	1
15	Right Back Panel	1
16	Right Front Support Panel	1
17	Drawer Left Side Panel	3
18	Drawer Right Side Panel	3
19	Drawer Back Panel	3
20	Drawer Bottom Panel	3
21	Drawer Front Panel	3
22	Middle Foot	1
23	Left Door	1
24	Right Door	1

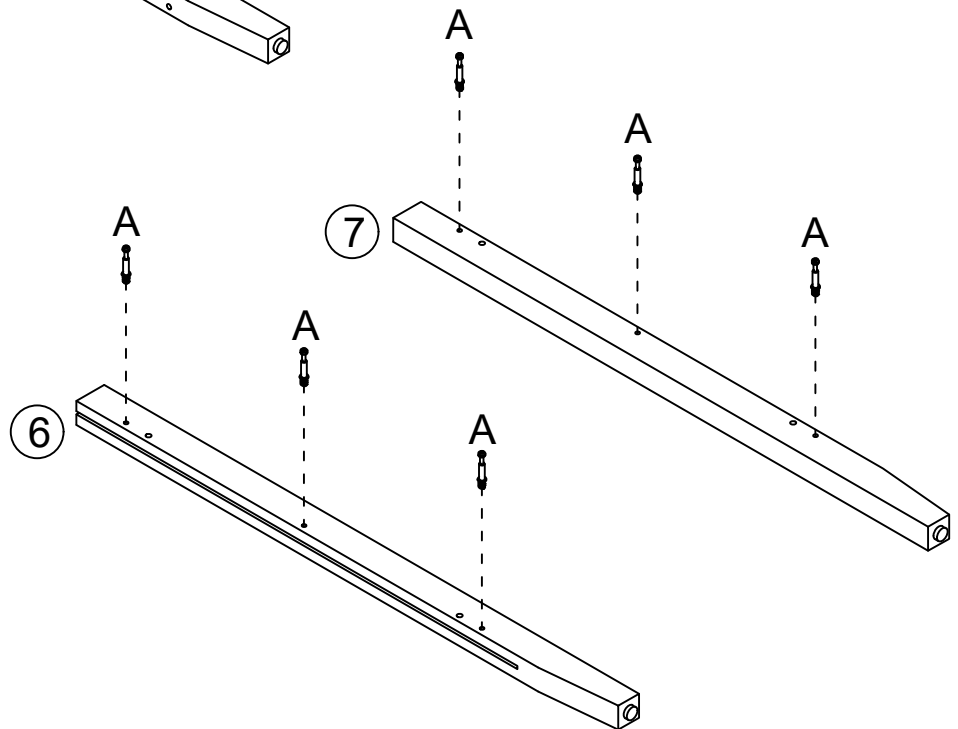
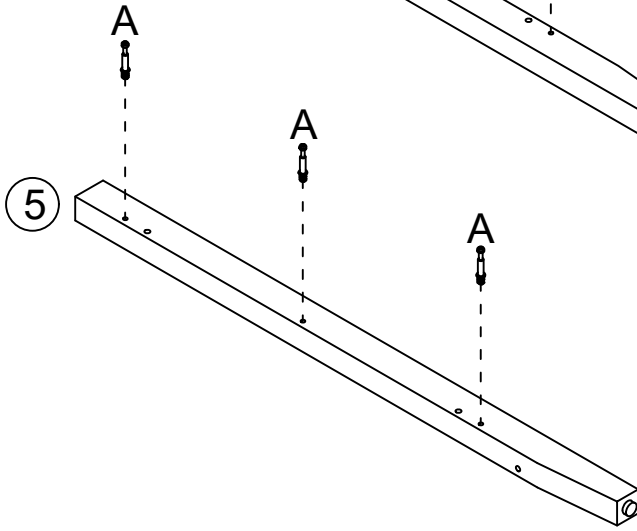
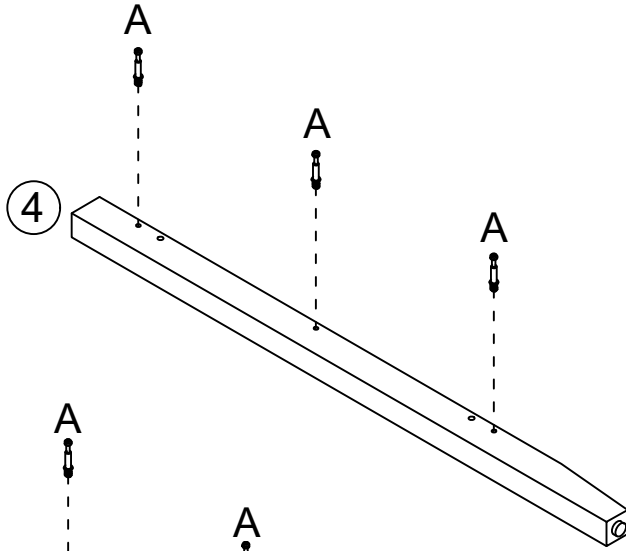
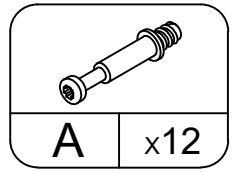
# The Accessories



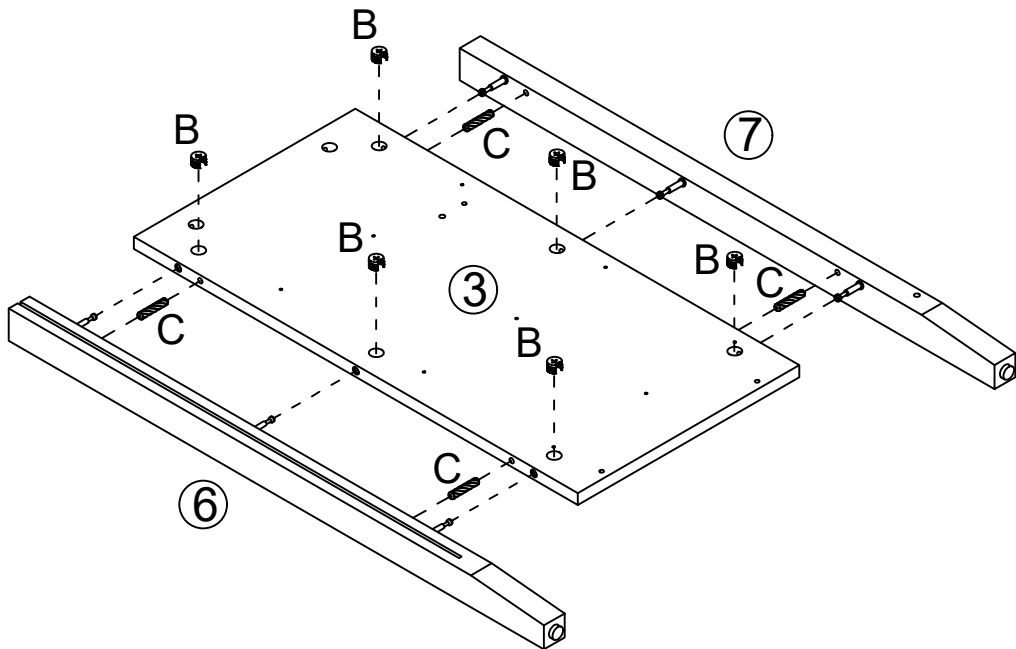
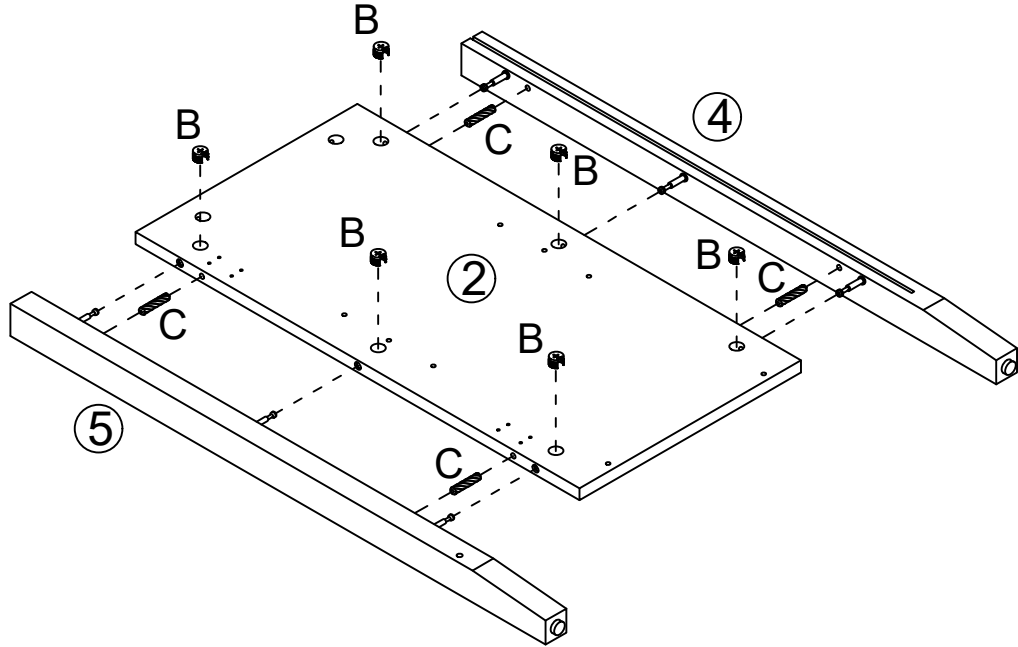
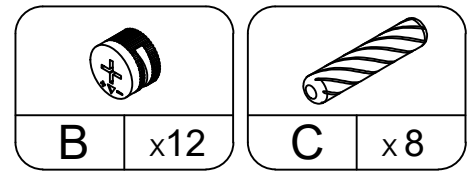
NOTED:



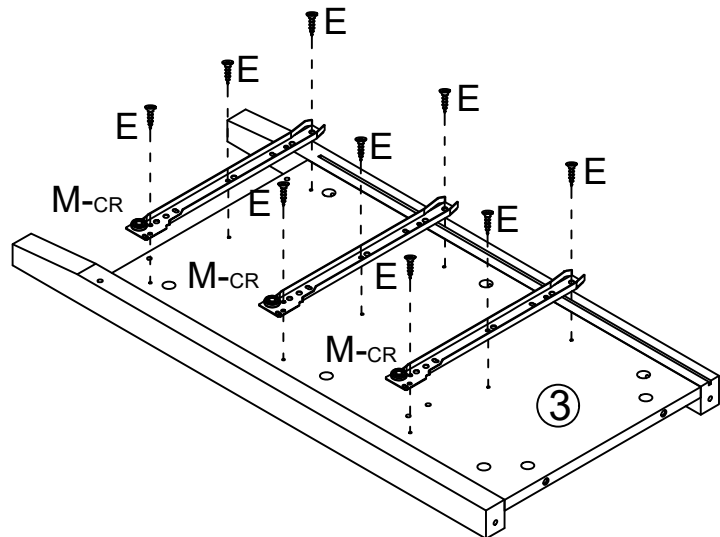
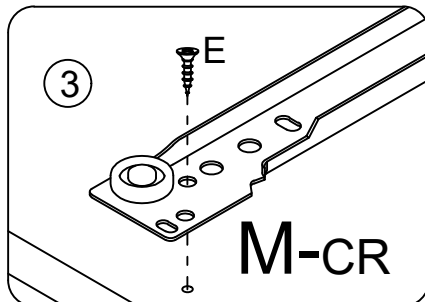
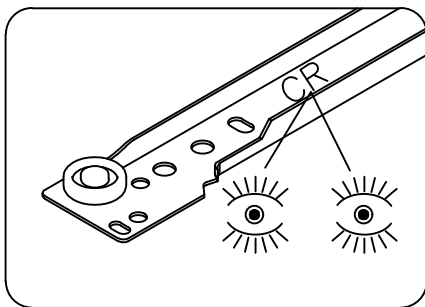
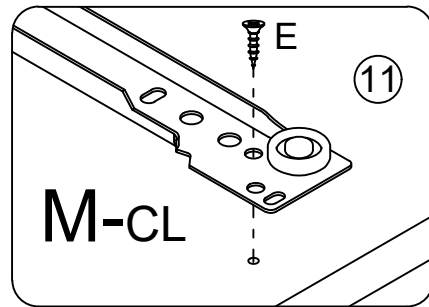
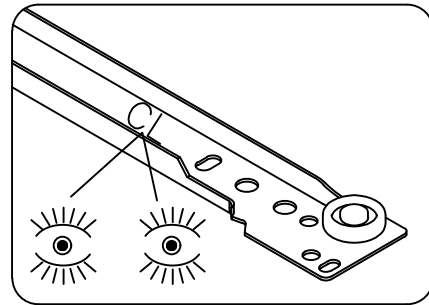
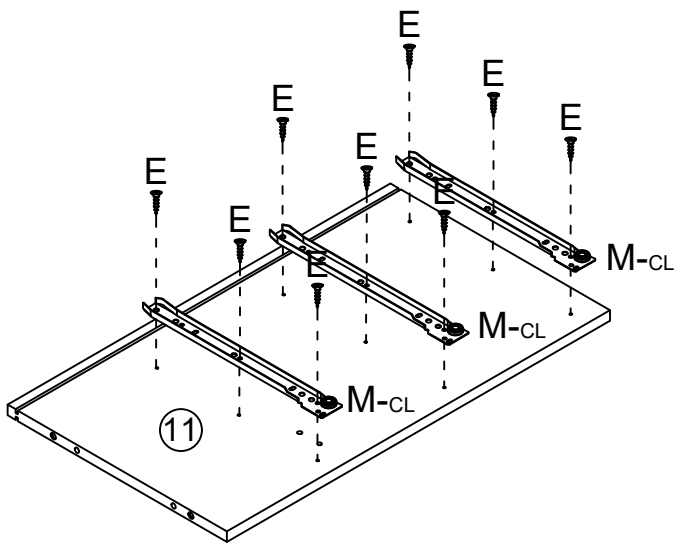
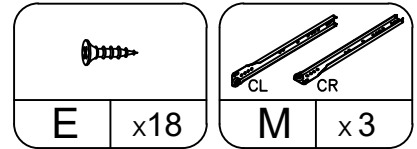
# Step 1



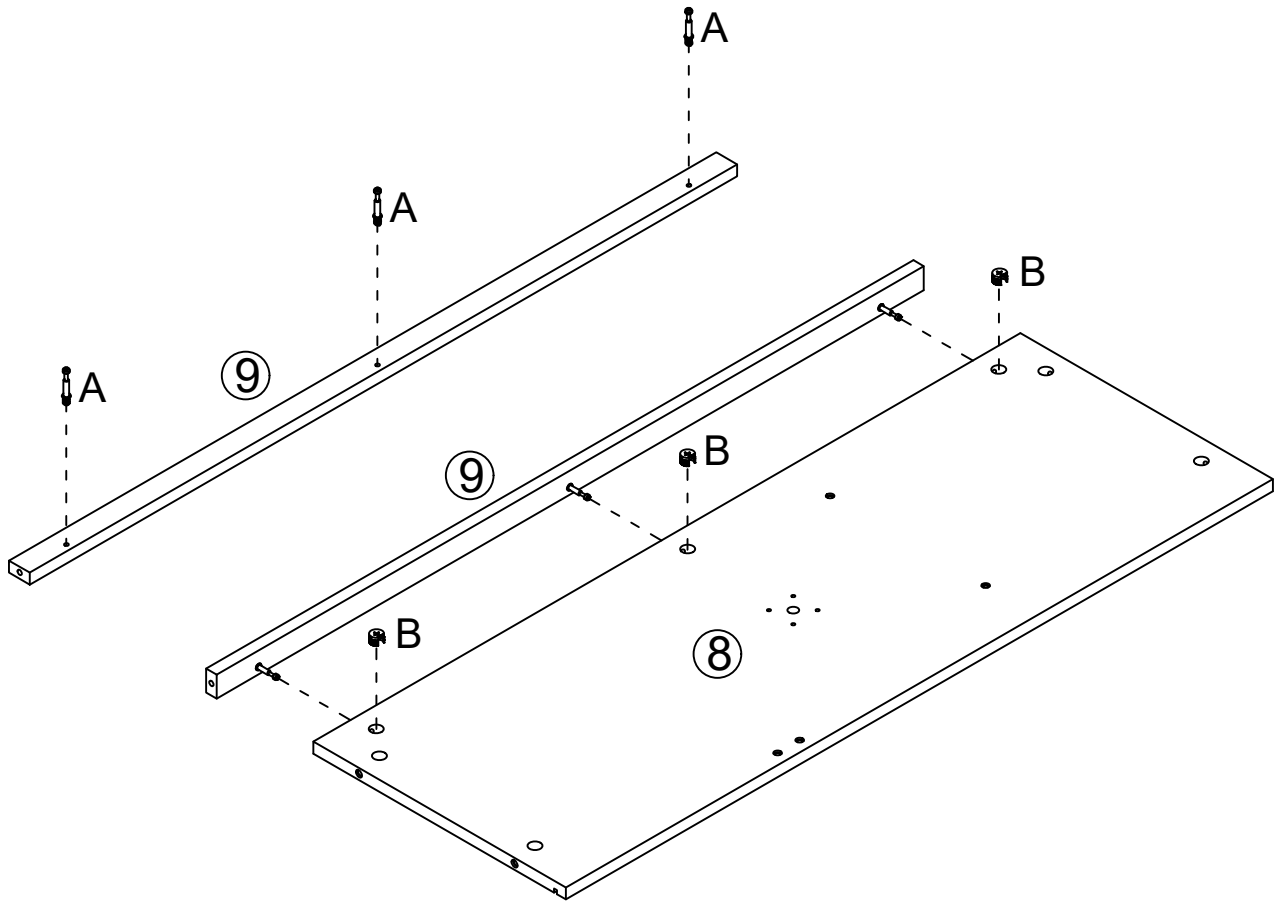
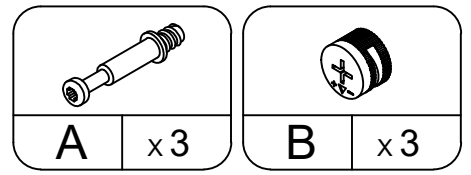
# Step 2



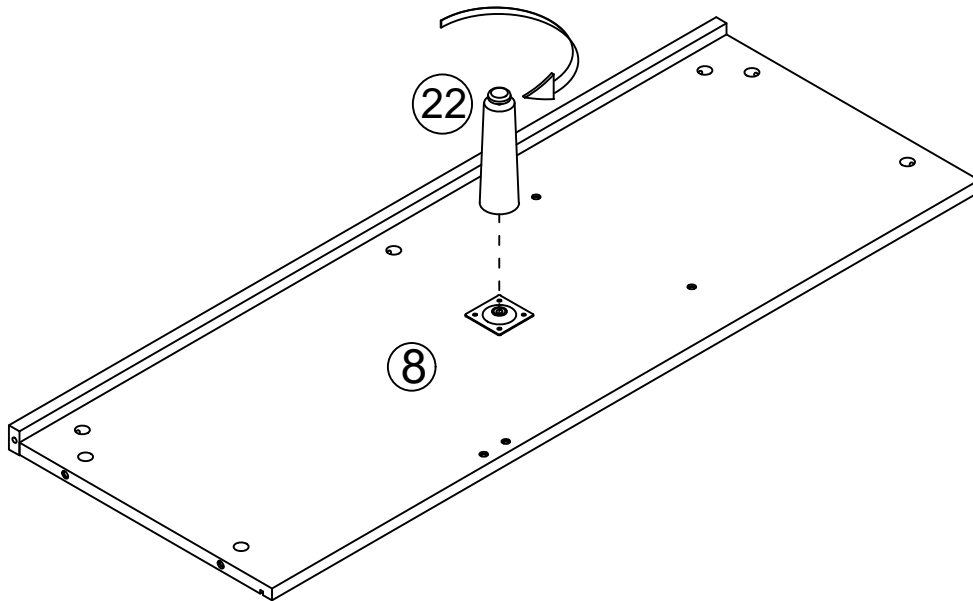
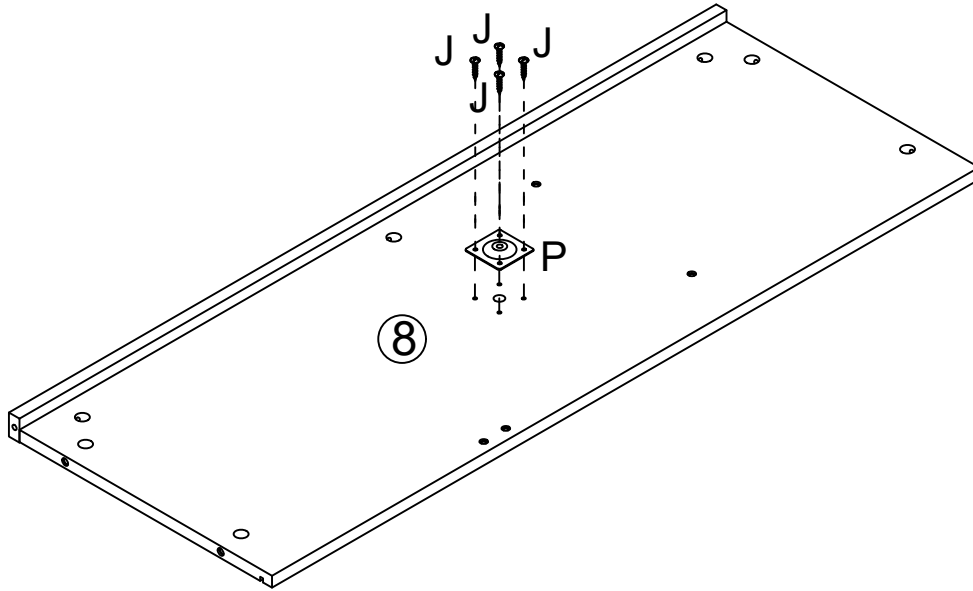
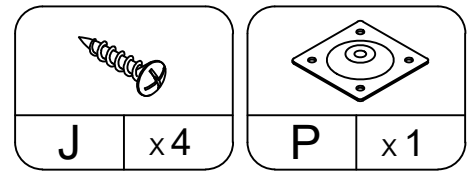
# Step 3



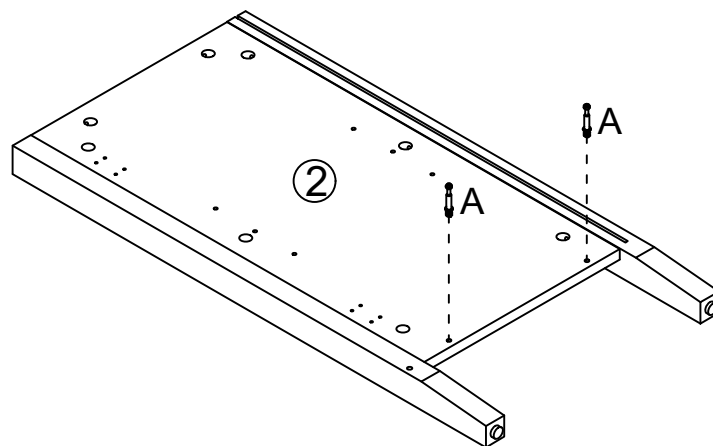
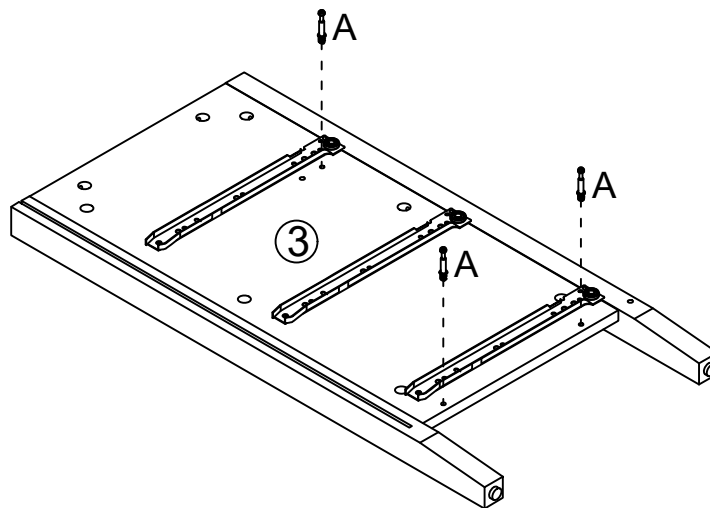
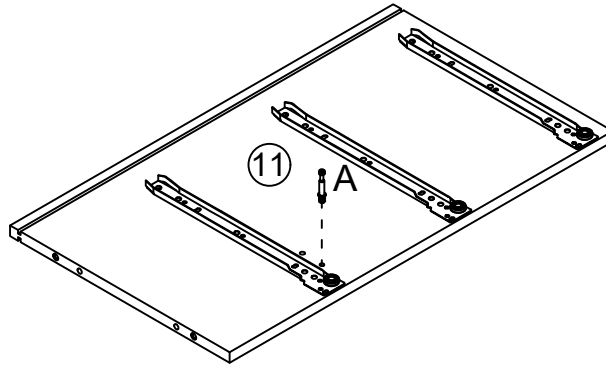
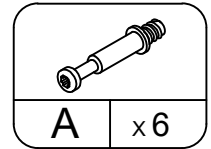
# Step 4



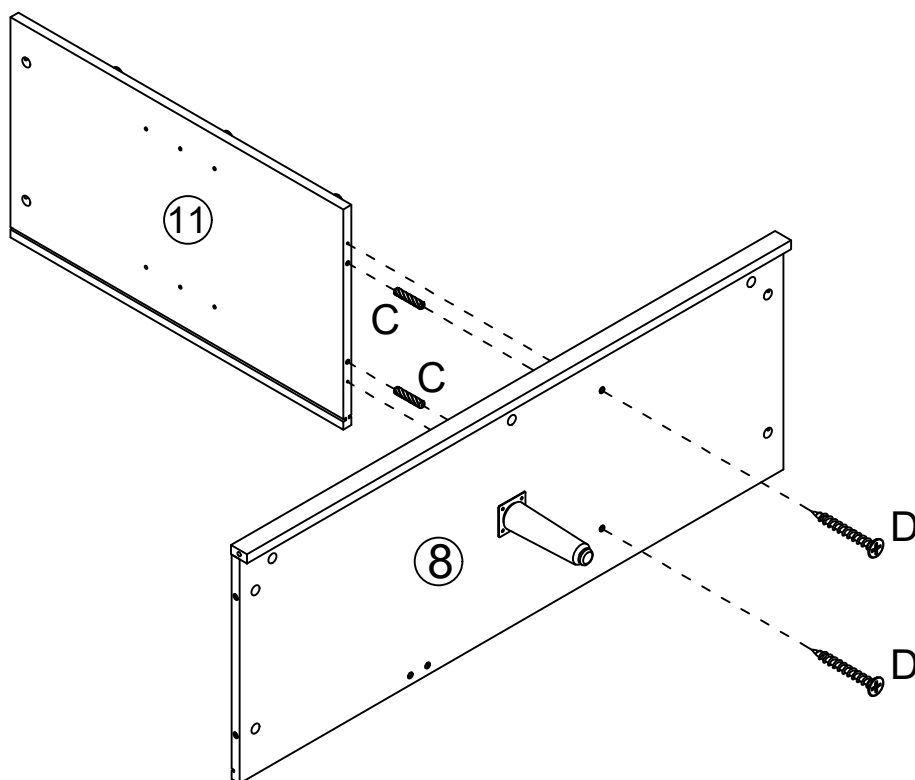
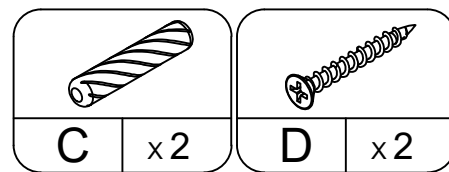
# Step 5



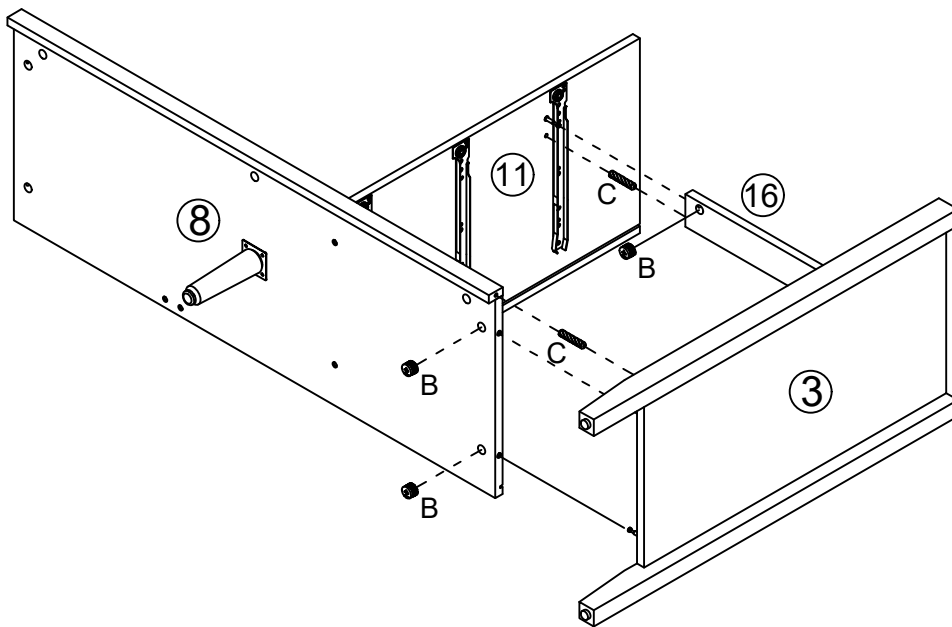
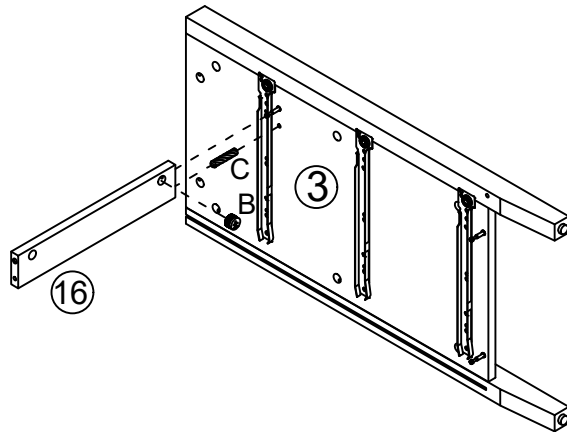
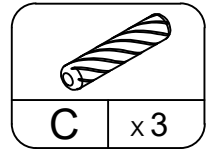
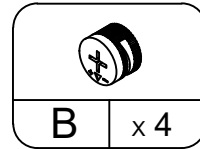
# Step 6



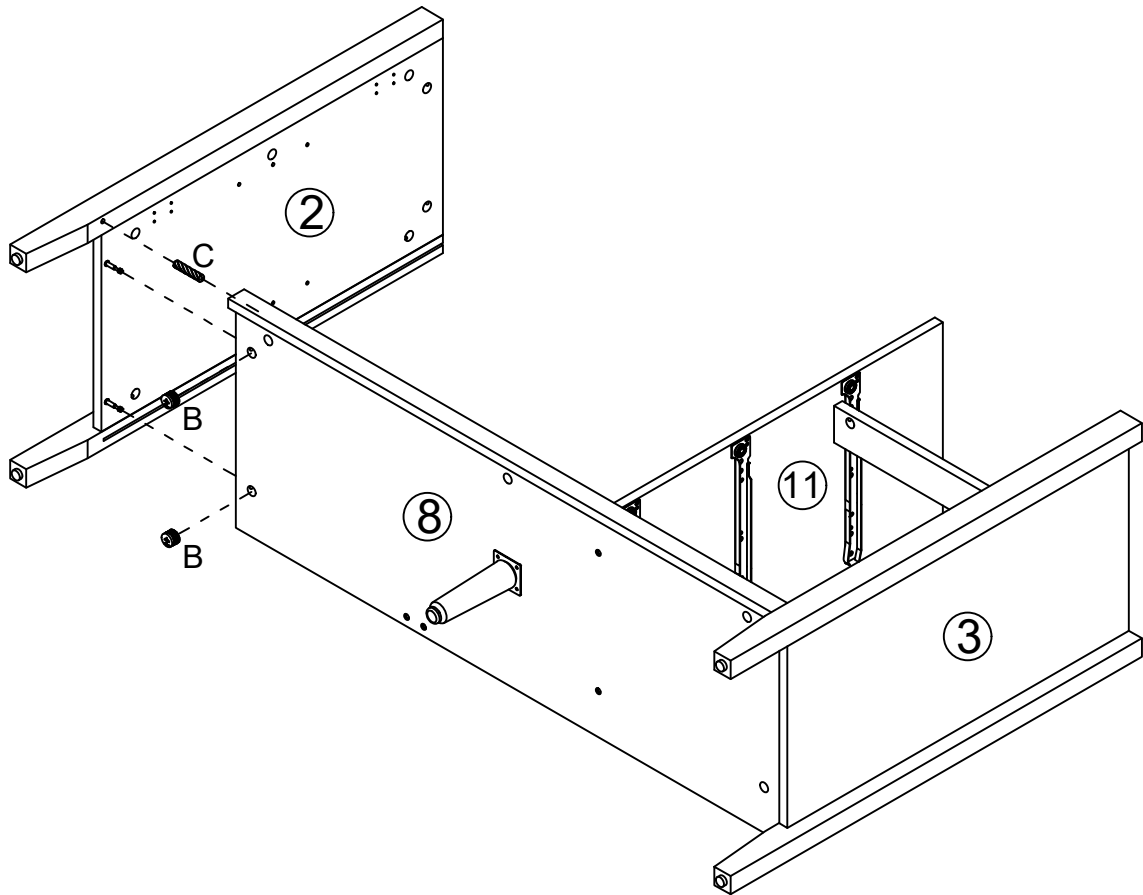
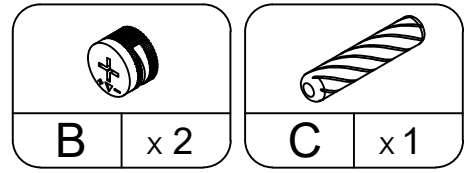
# Step 7



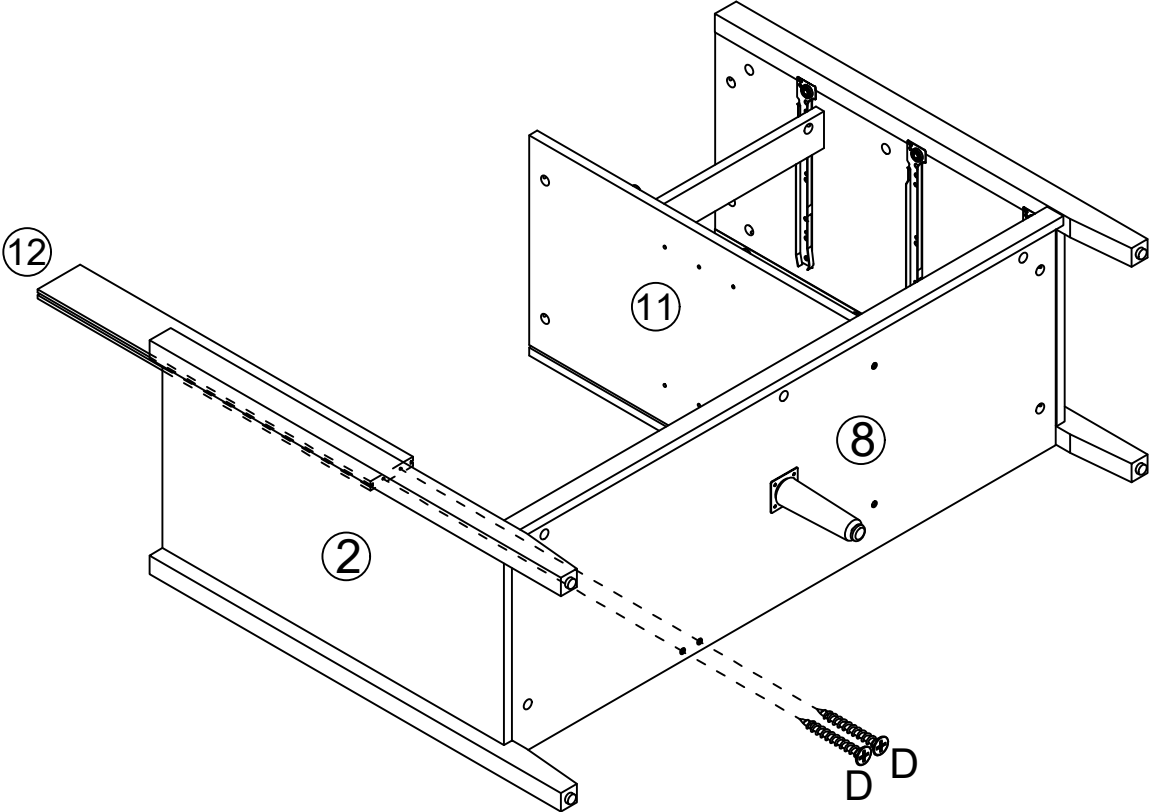
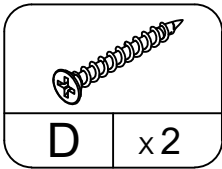
# Step 8



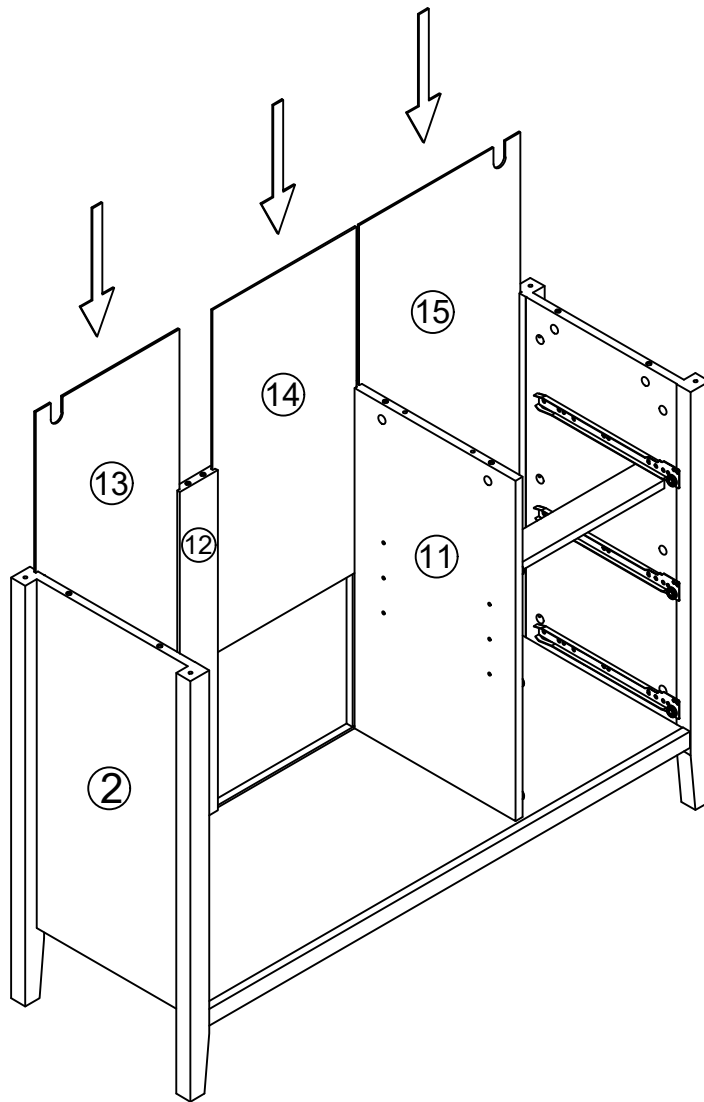
# Step 9



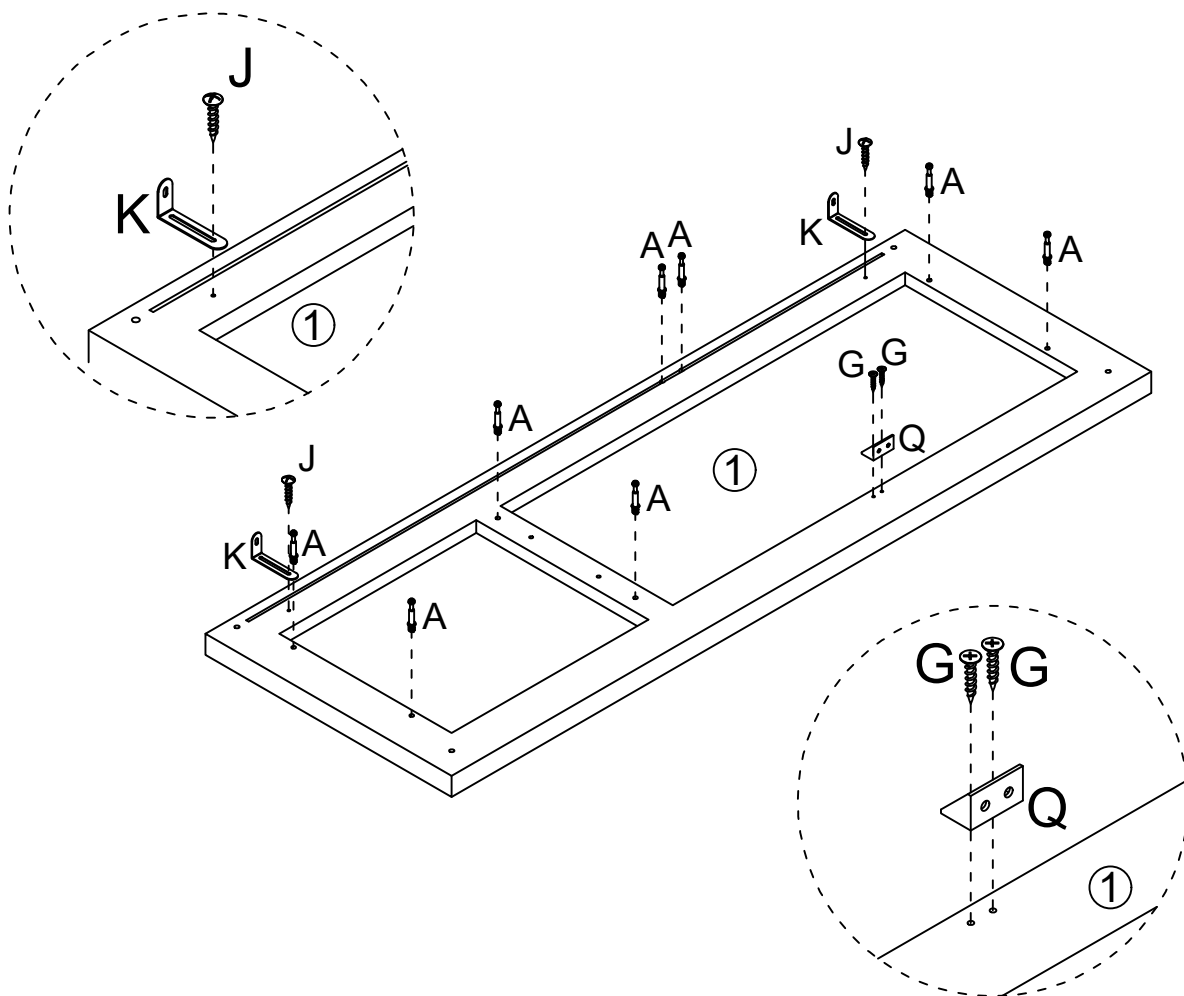
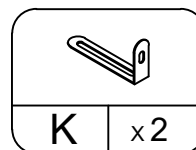
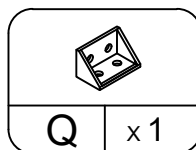
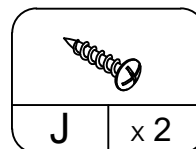
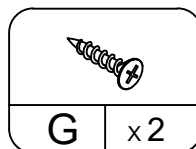
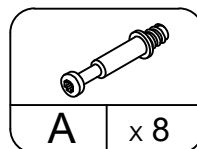
# Step 10



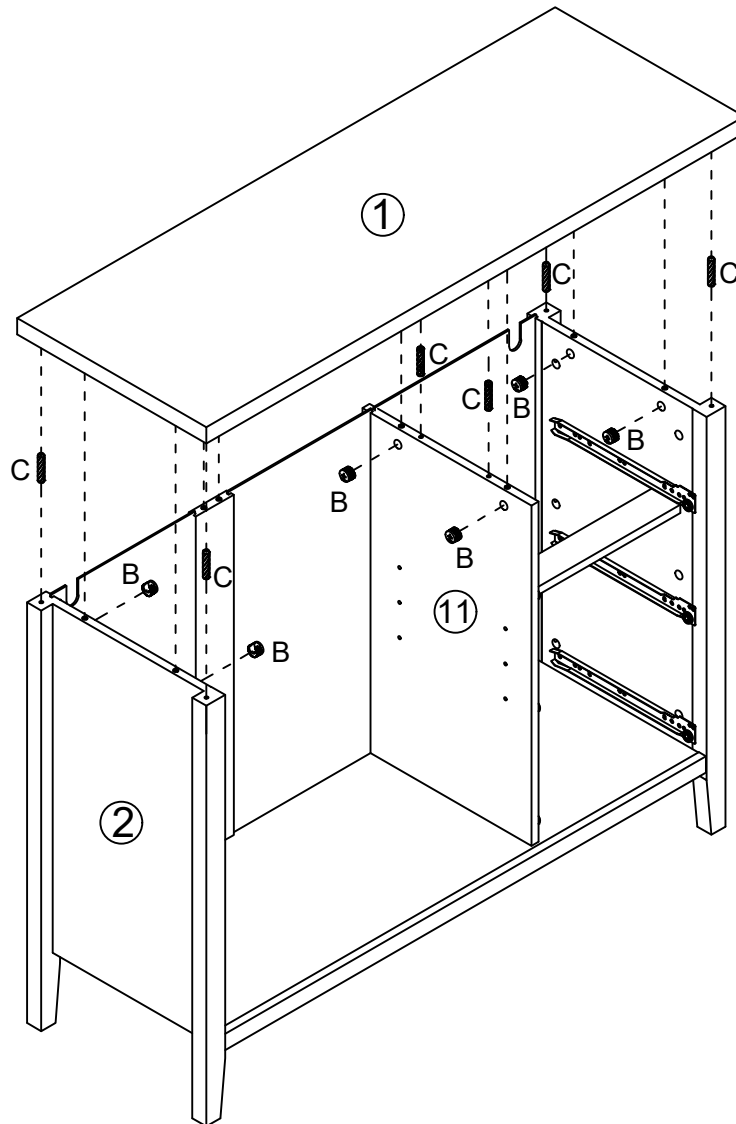
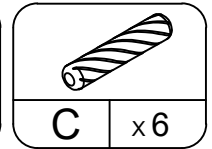
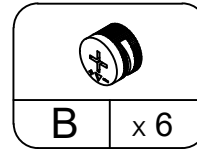
# Step 11



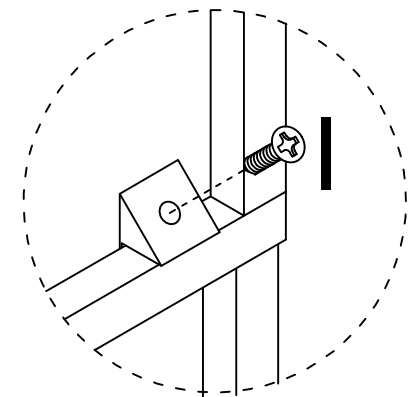
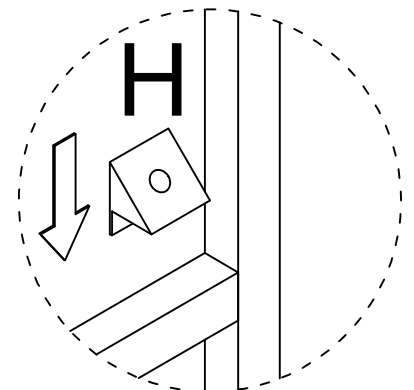
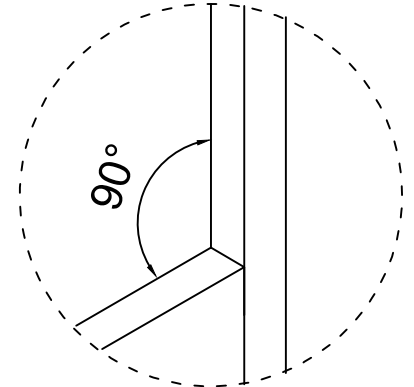
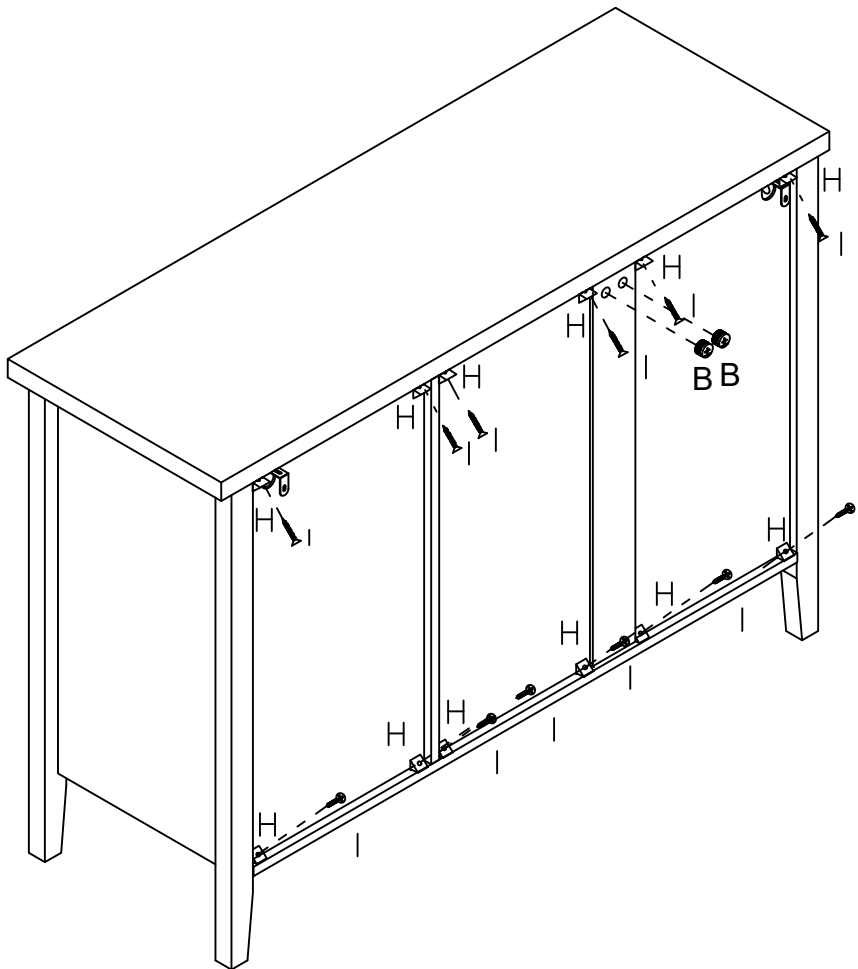
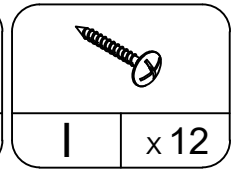
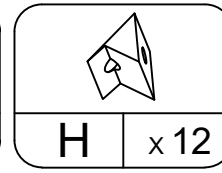
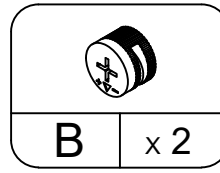
# Step 12



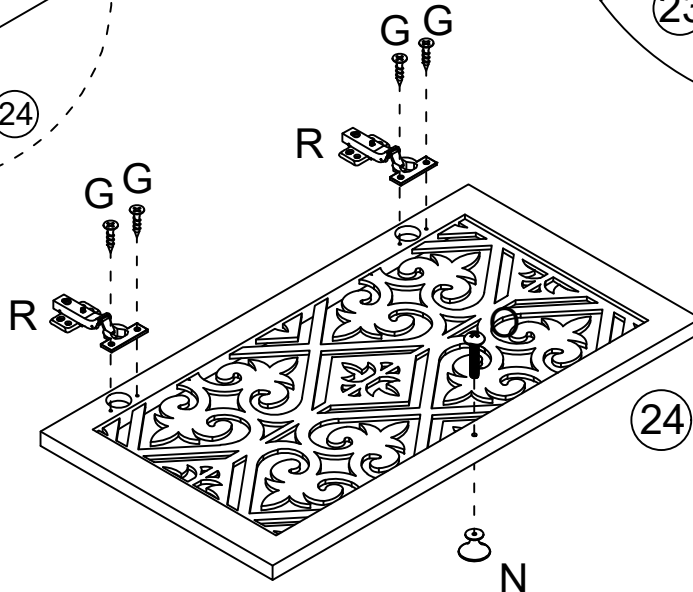
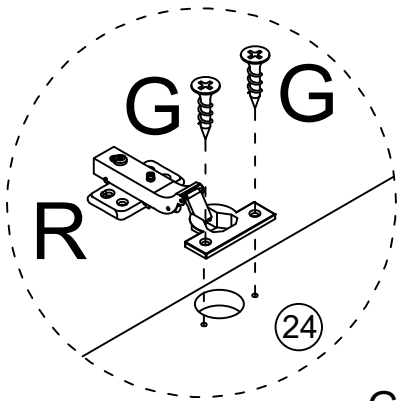
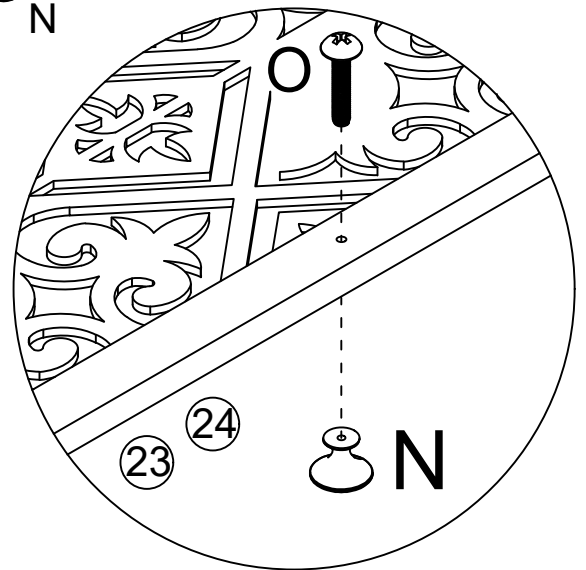
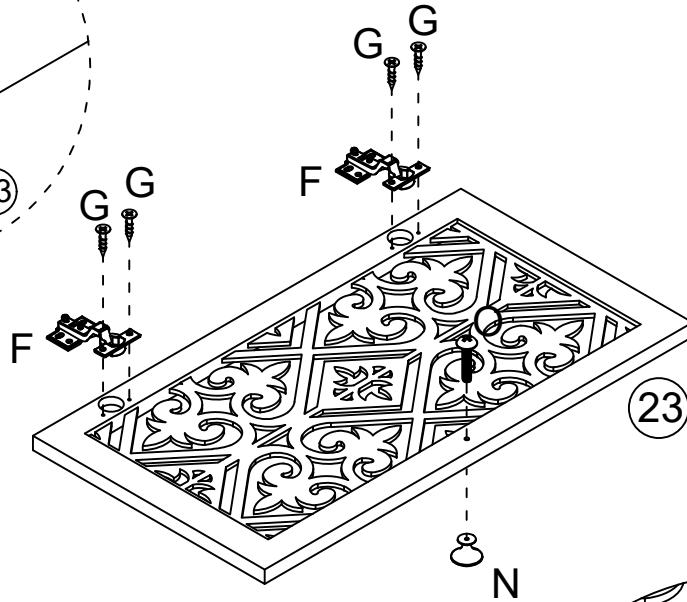
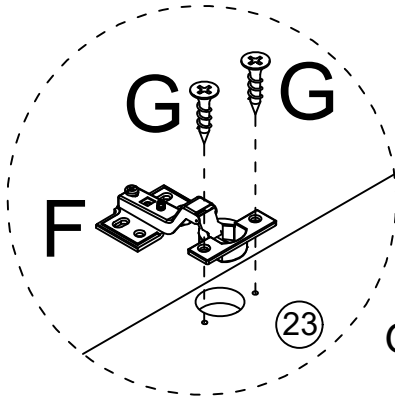
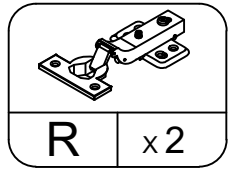
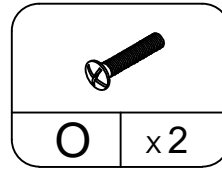
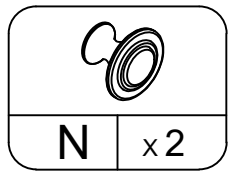
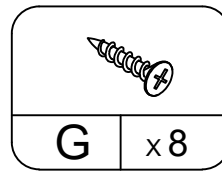
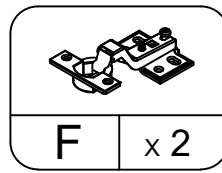
# Step 13



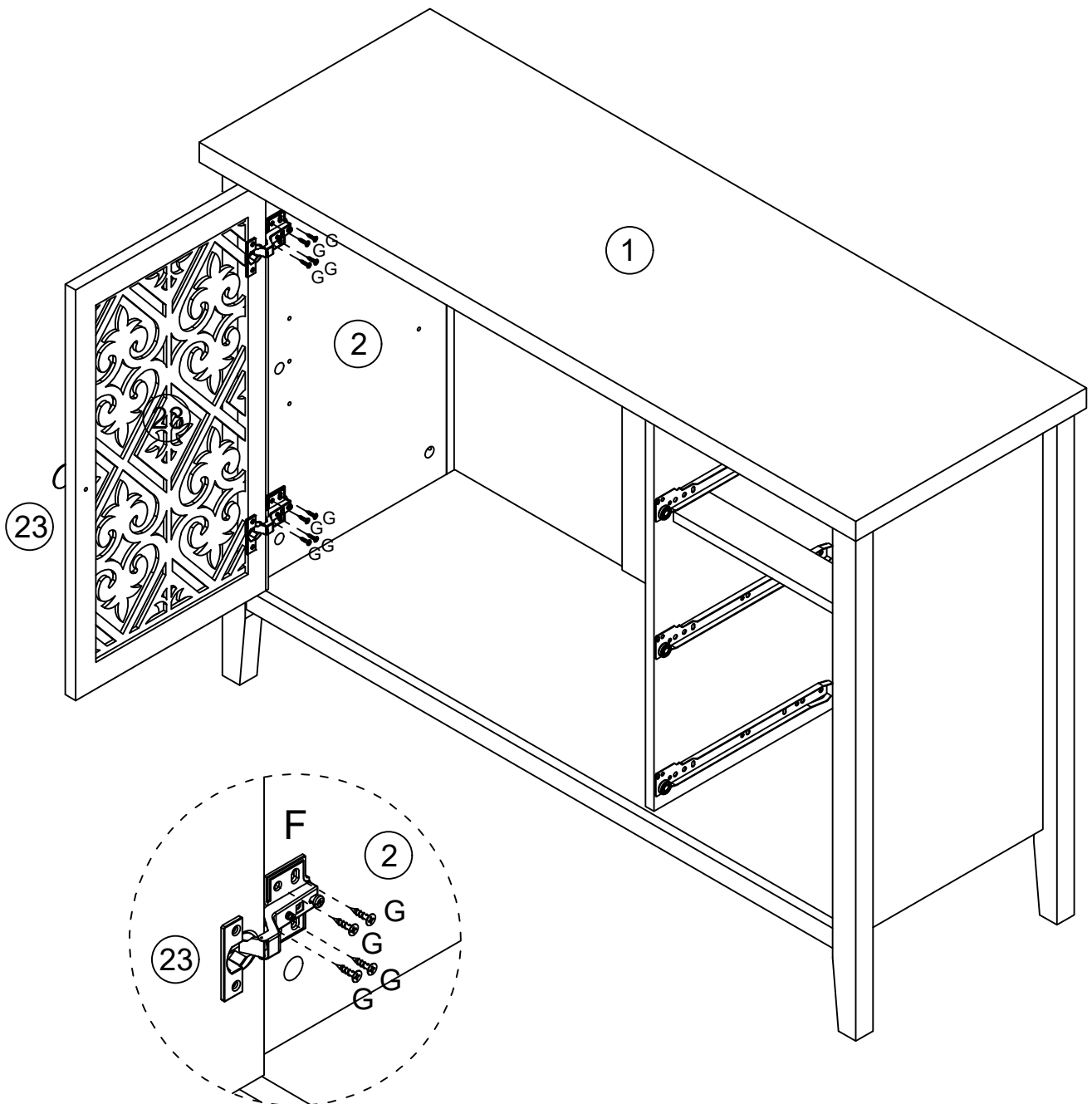
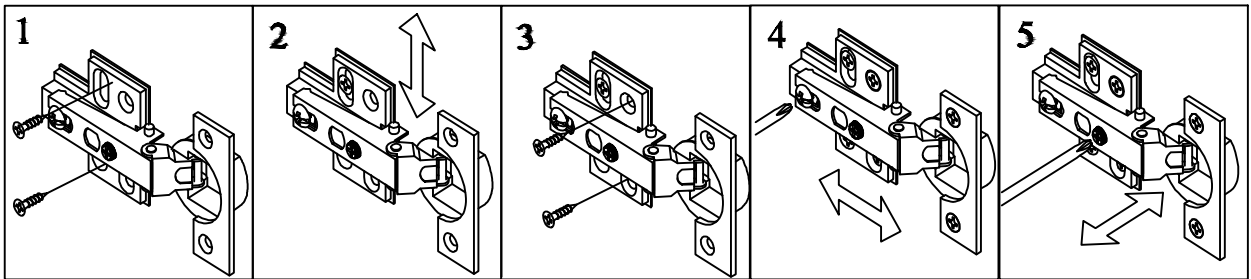
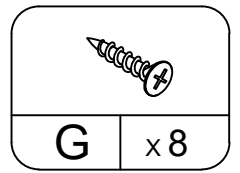
# Step 14



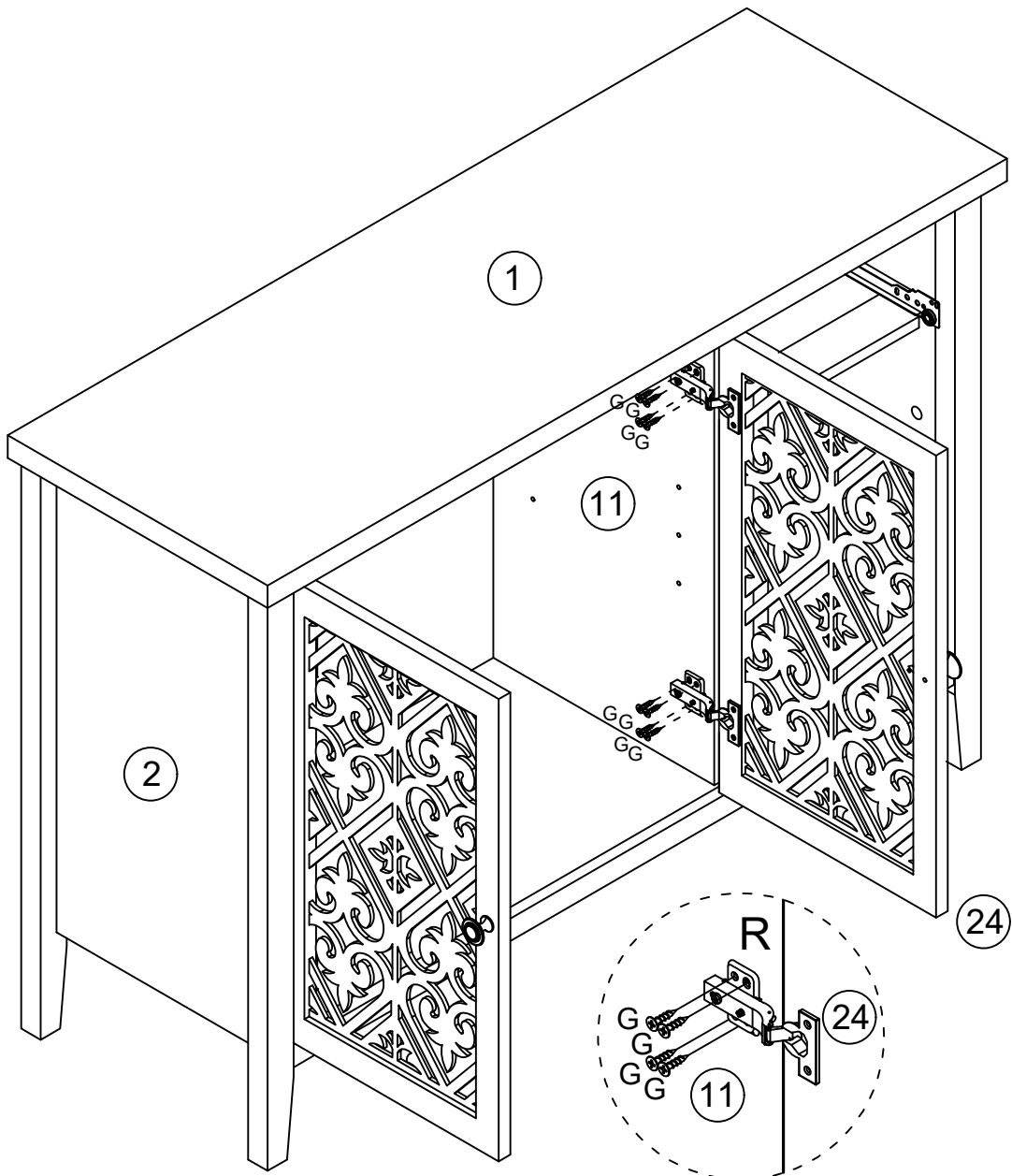
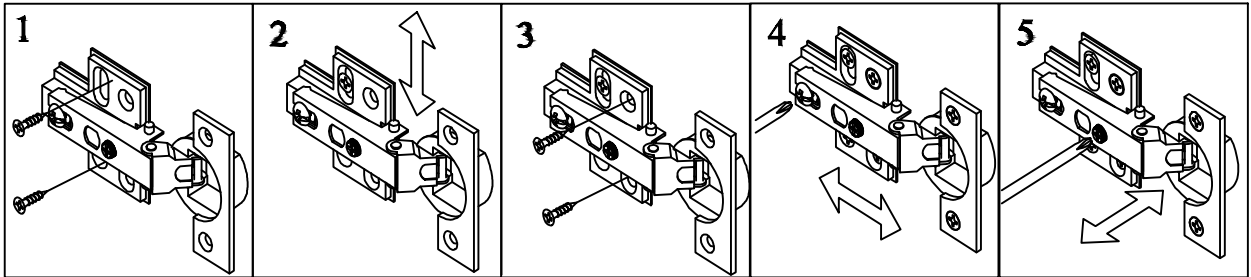
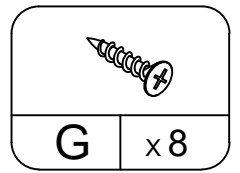
# Step 15



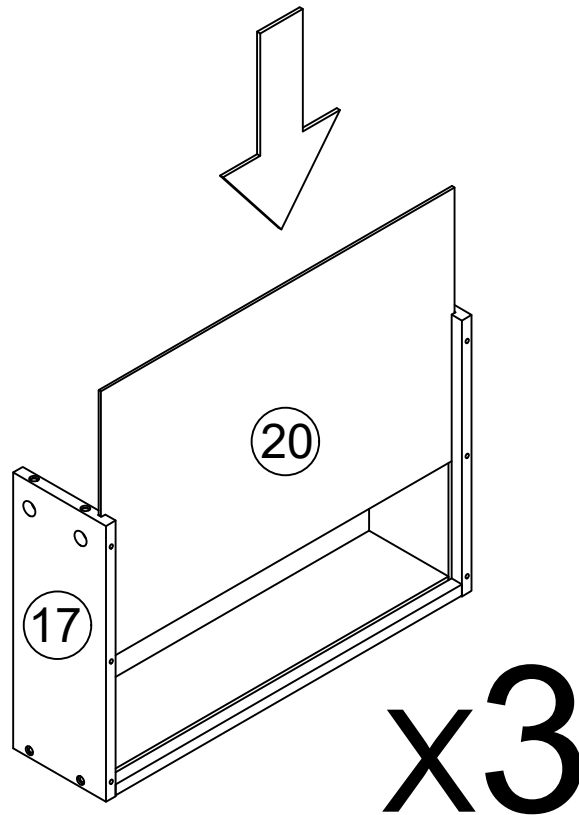
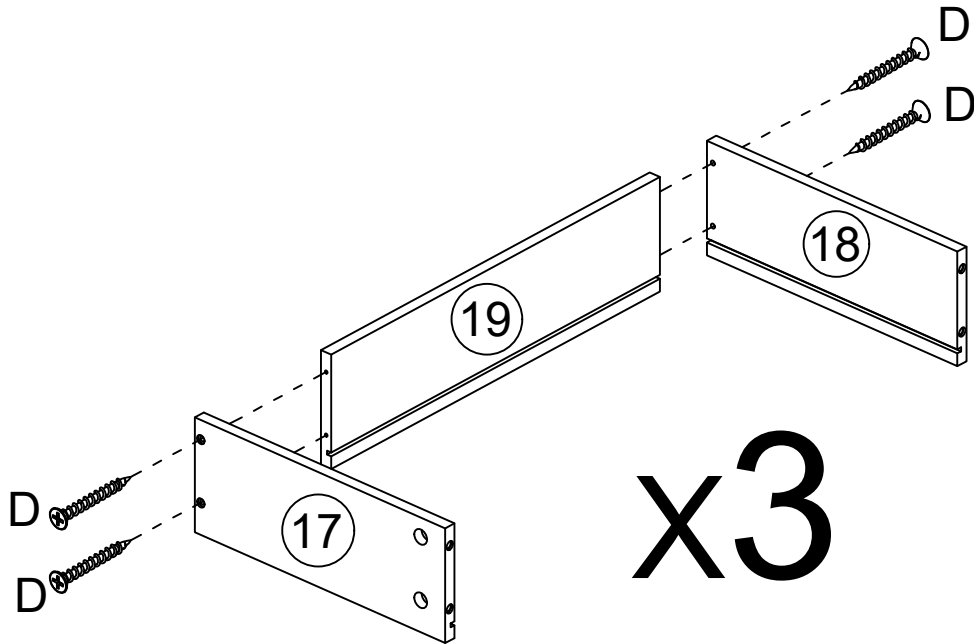
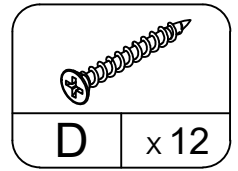
# Step 16



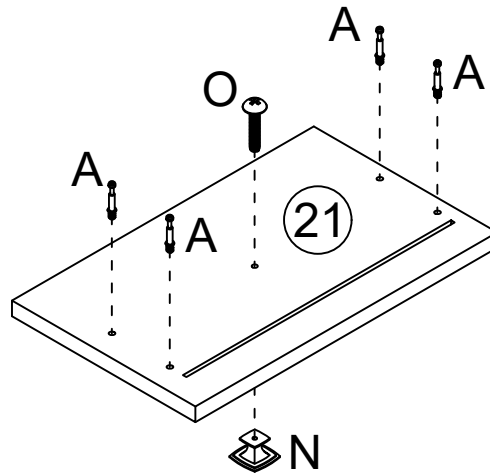
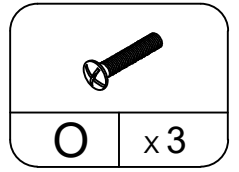
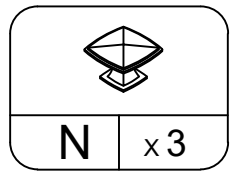
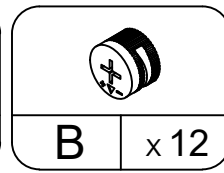
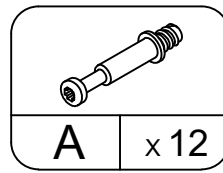
# Step 17



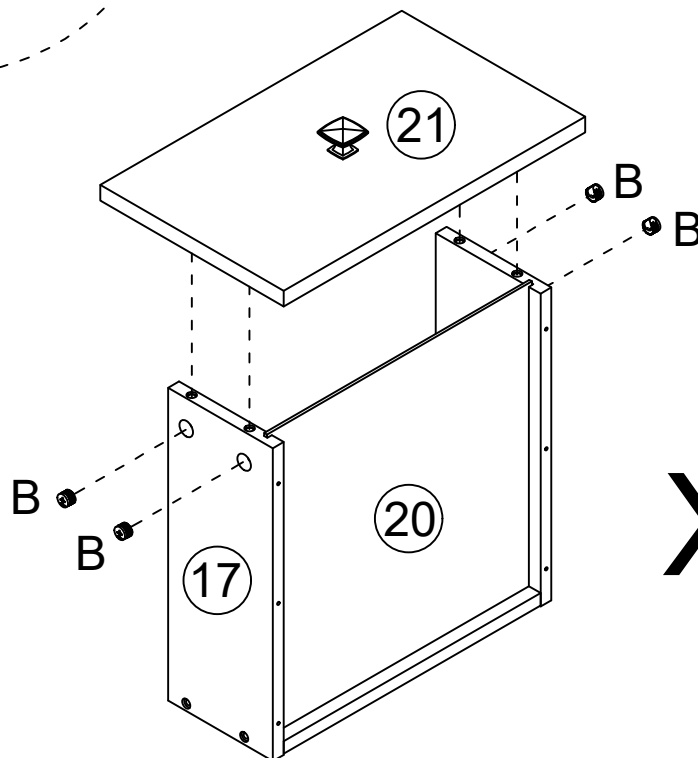
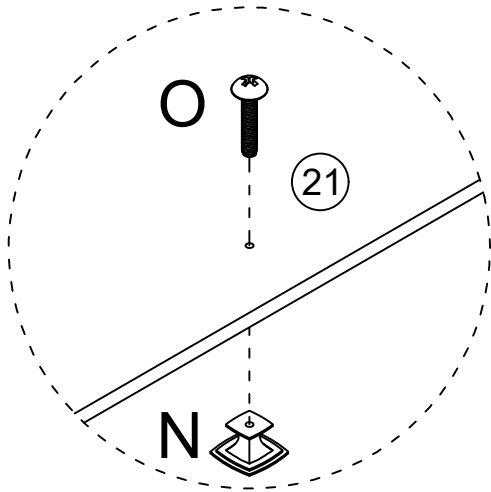
# Step 18



# Step 19

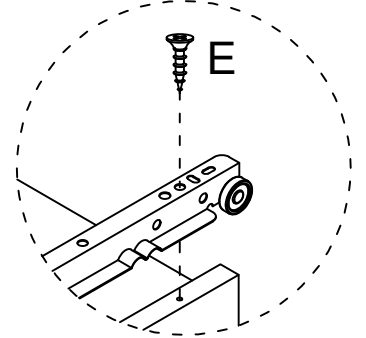
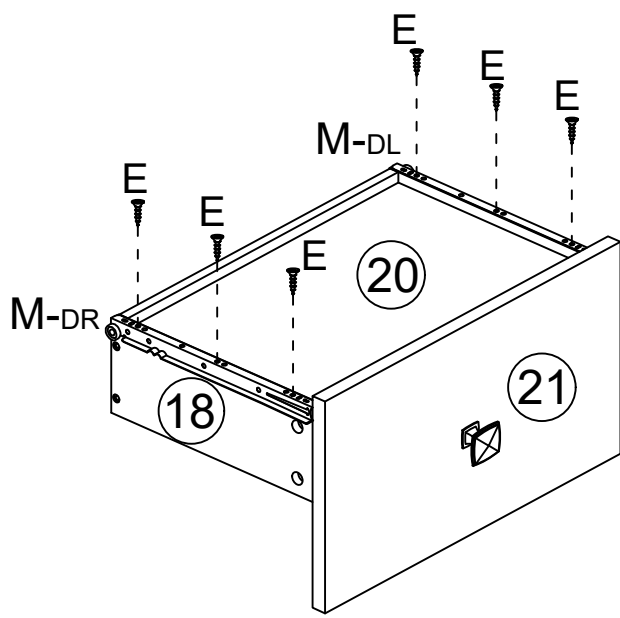
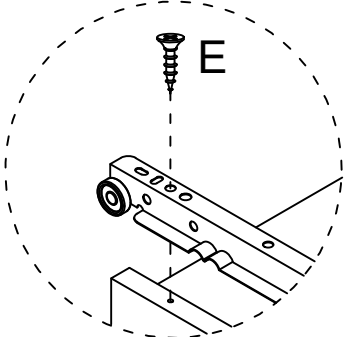
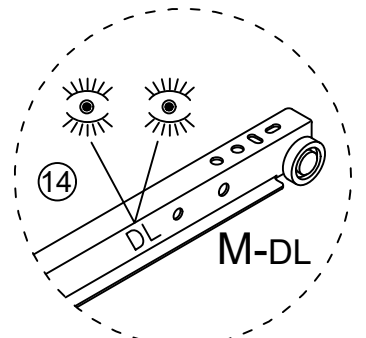
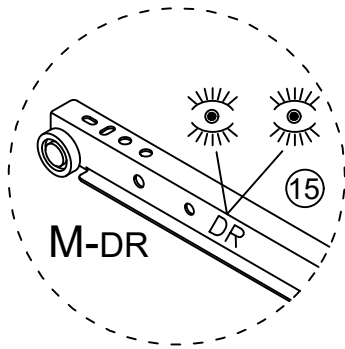
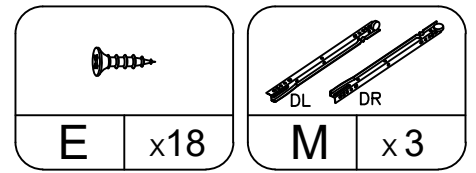


x3



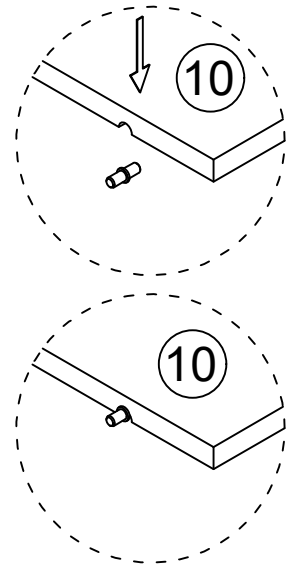
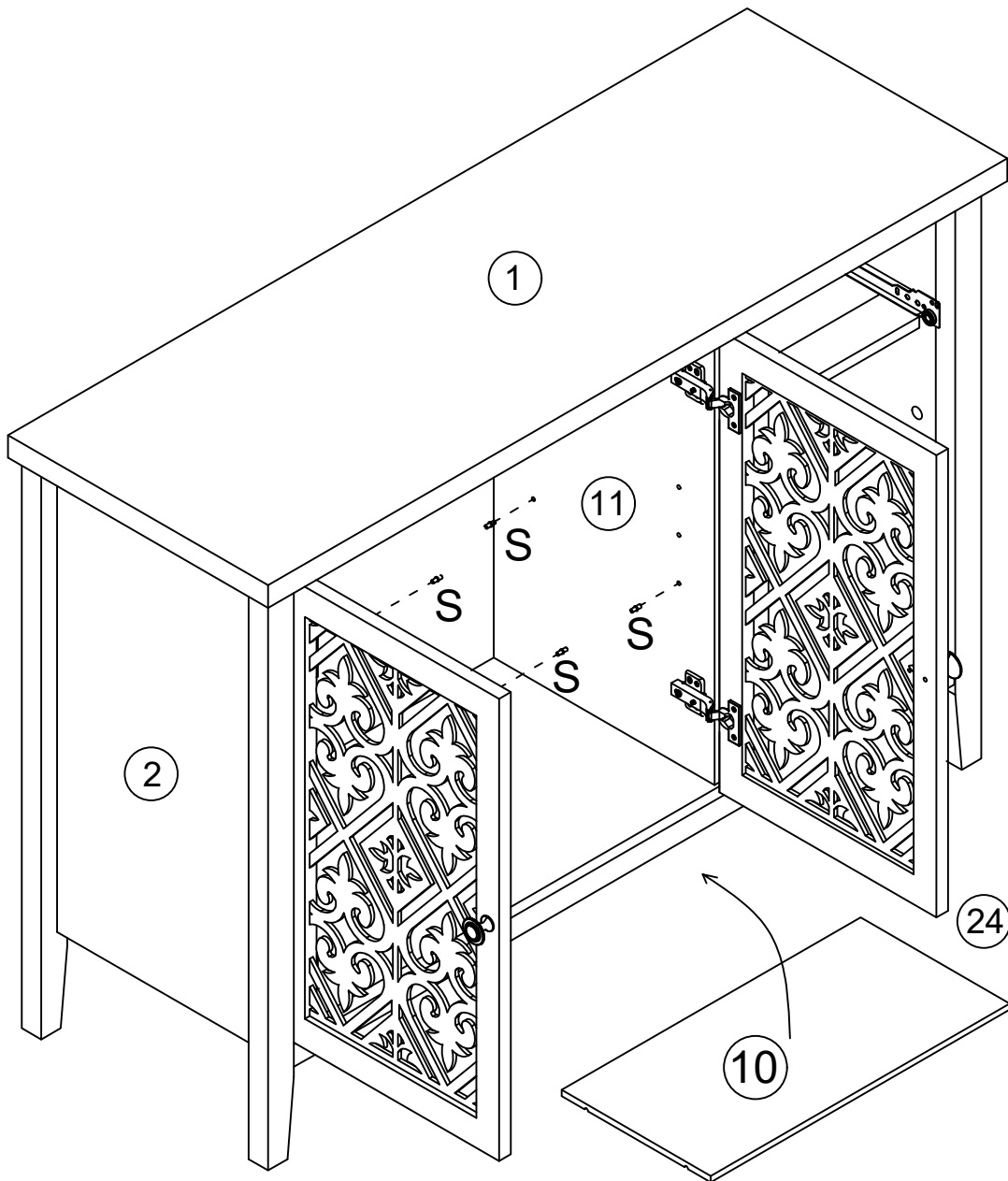
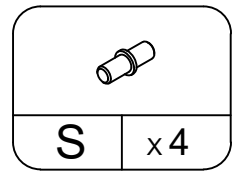
x3

# Step 20

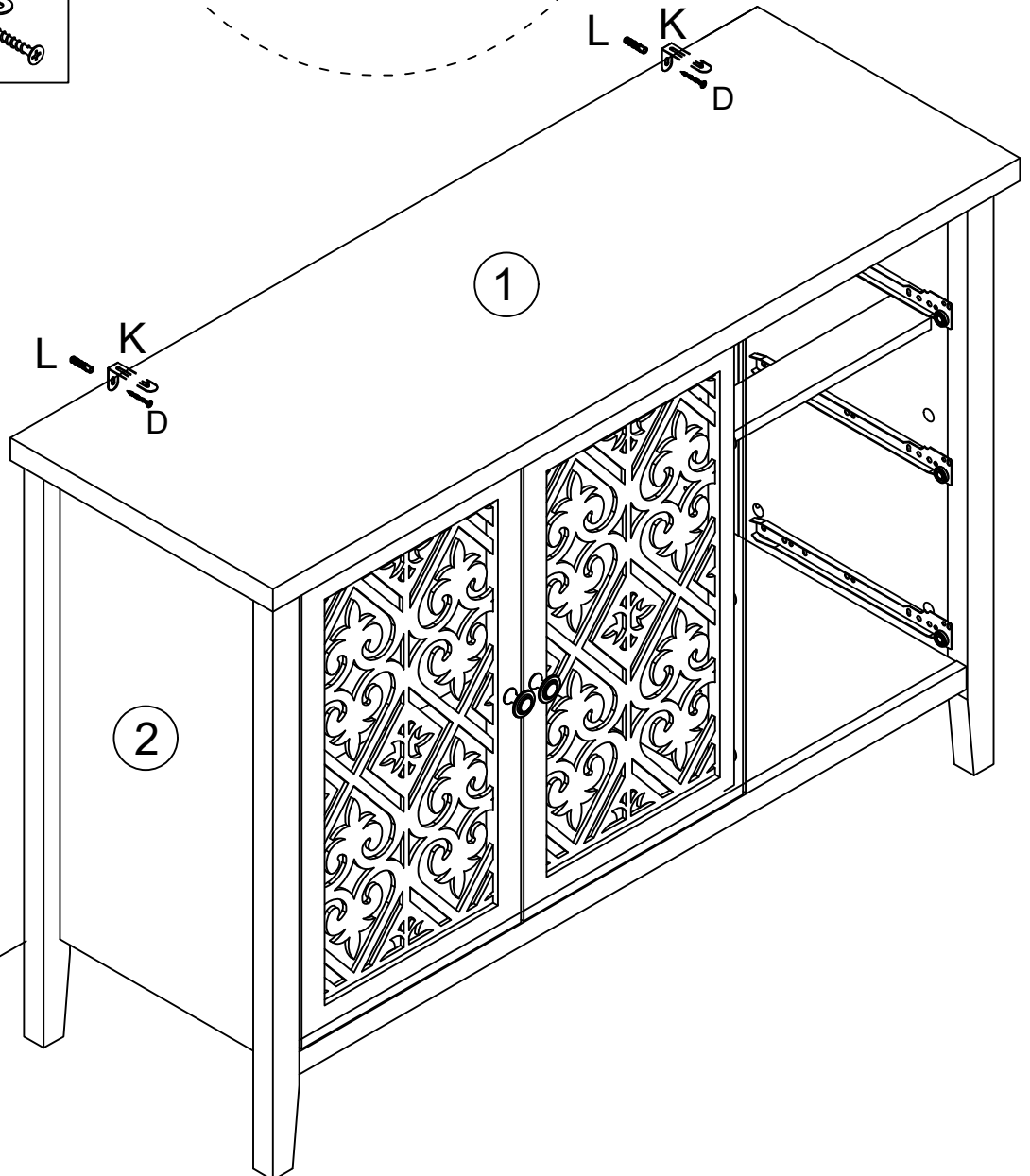
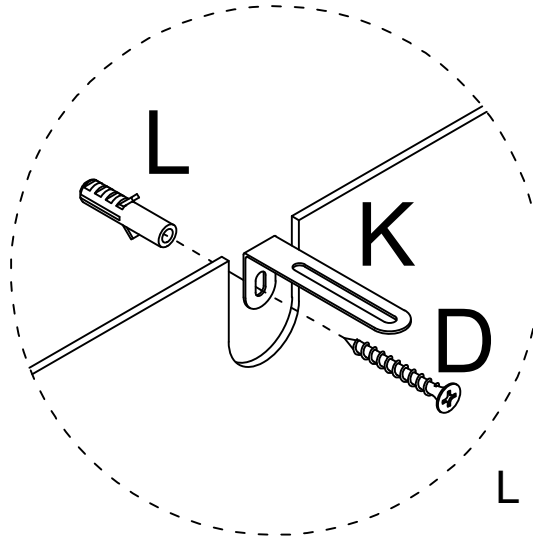
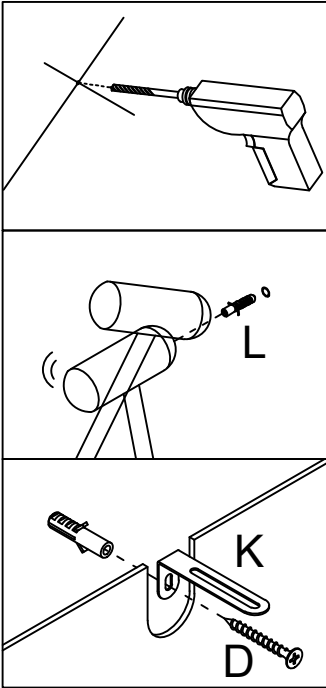
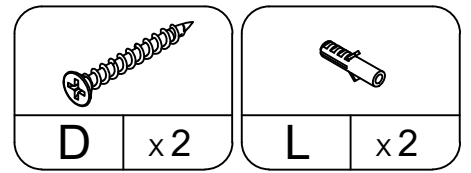


x3

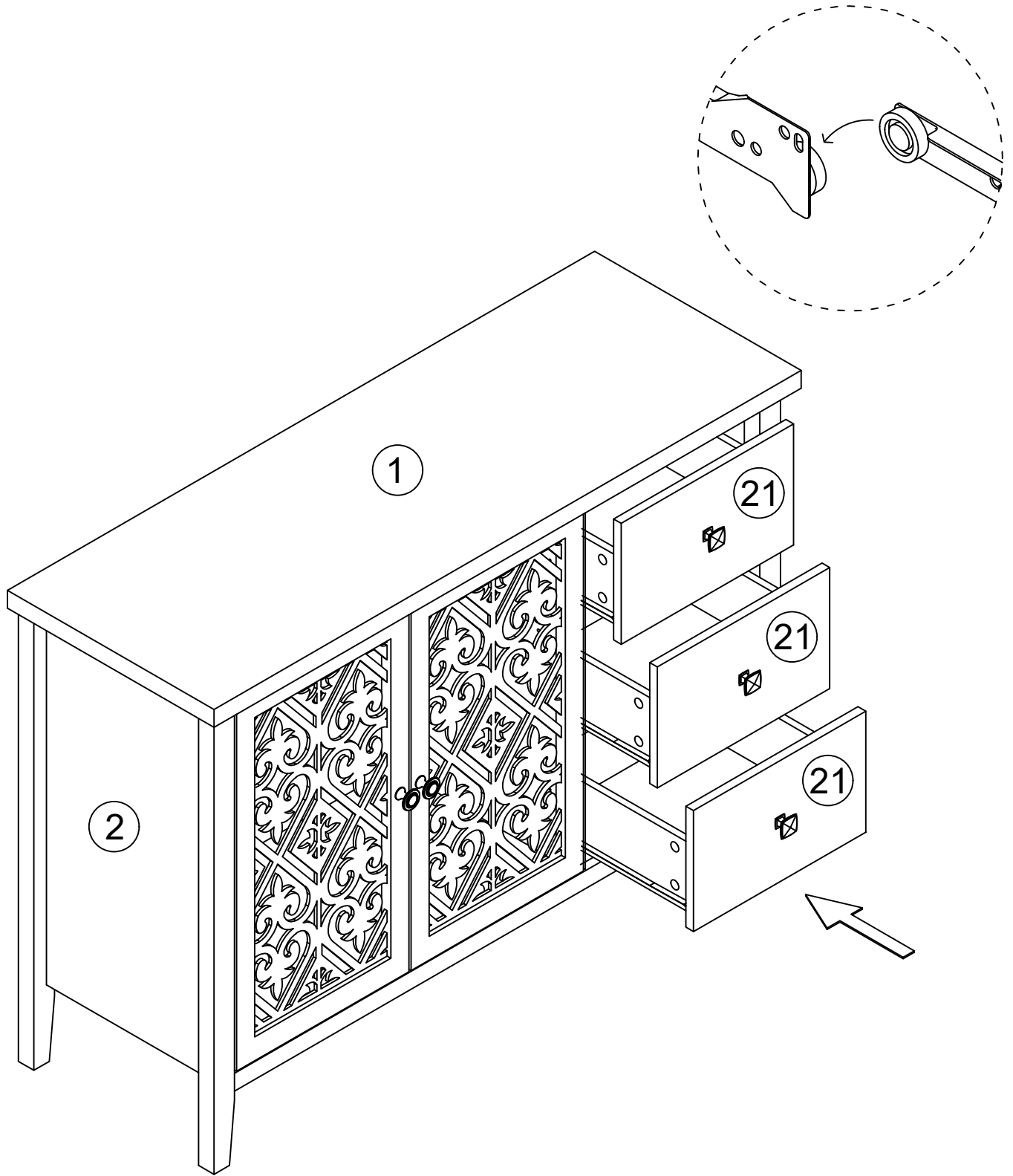
# Step 21



# Step 22



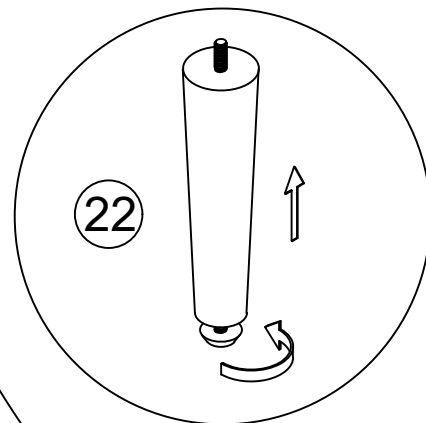
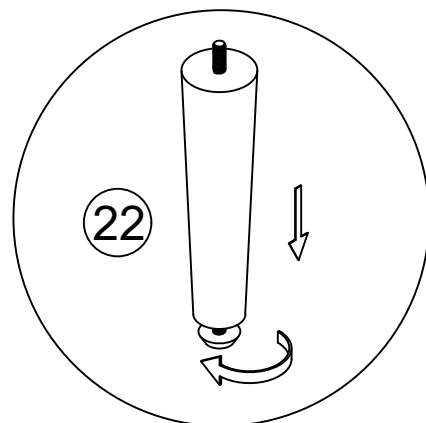
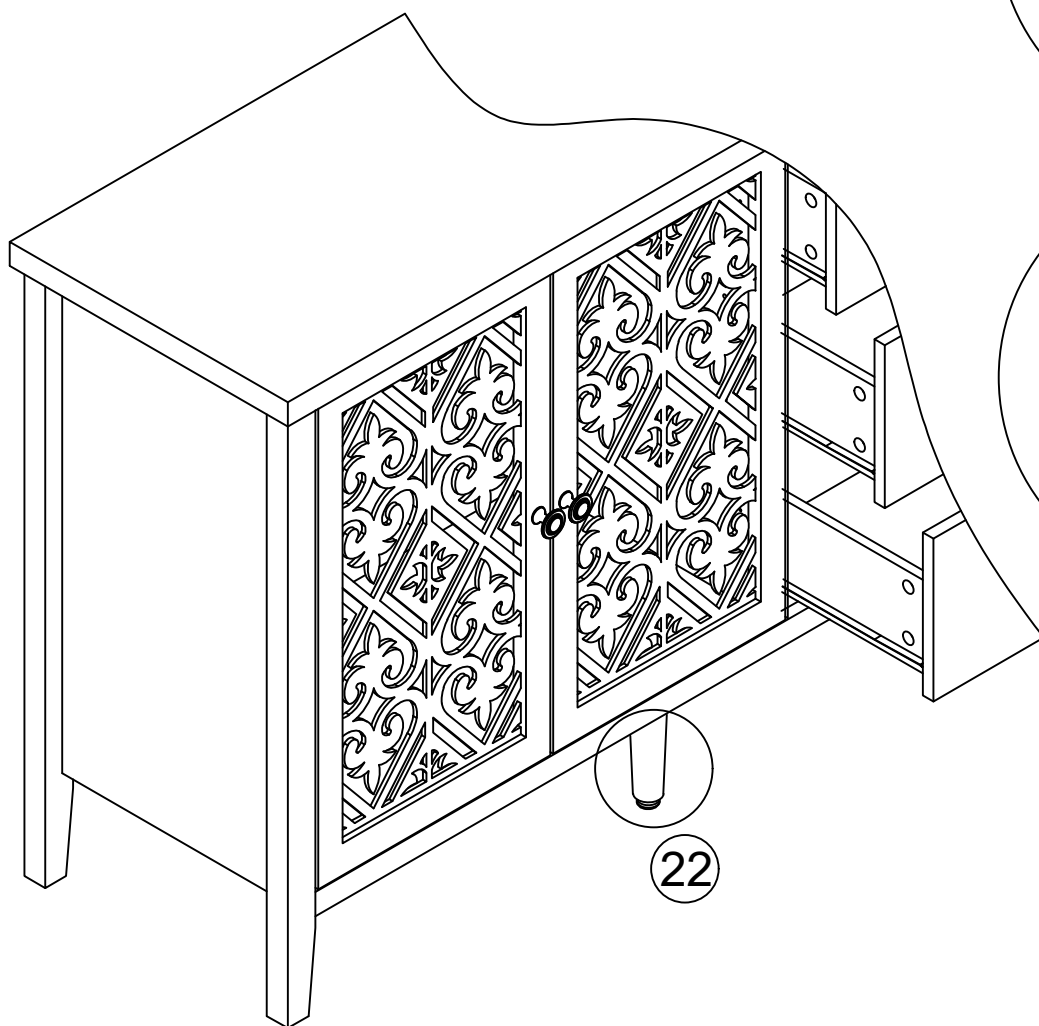
# Step 23



# Is your cabinet door looking crooked or unevenly spaced? (Cont.)

If you're still having trouble lining everything up, your next step should be to try to adjust the feet slightly to square up the cabinet & doors. Follow the illustrations below:

If the right door appears to be hanging low, you can adjust the adjustable leveler on the front right until the door is better aligned.



# Proper Use

- DO NOT** use for commercial purposes
- DO NOT** use as a step stool or stand on table
- DO NOT** put hot serving liquid directly on the table top
- DO NOT** leave spilled liquid on the table top
- DO NOT** use table if damaged
- DO NOT** exceed weight limit
- DO NOT** make temporary repairs
- DO NOT** use outdoor

**Dear Customer :**

**Thank you for purchasing our product,we wish you satisfy our service,if you have any further questions or any quality issues, please show the belows number and don't hesitate to contact our Customer Service People:**

**W688202409**